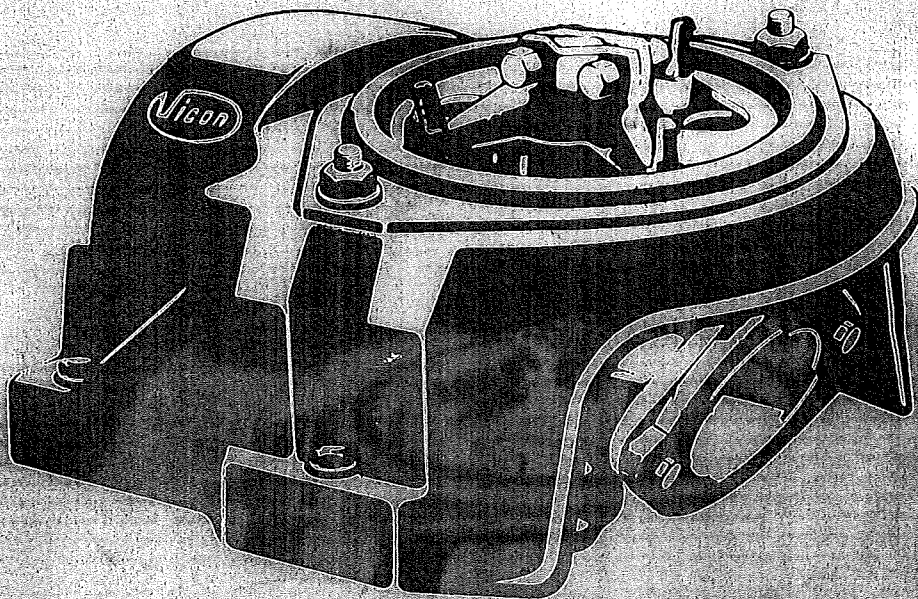




spare parts list  
vari-spreader  
spreading unit

serie 22117

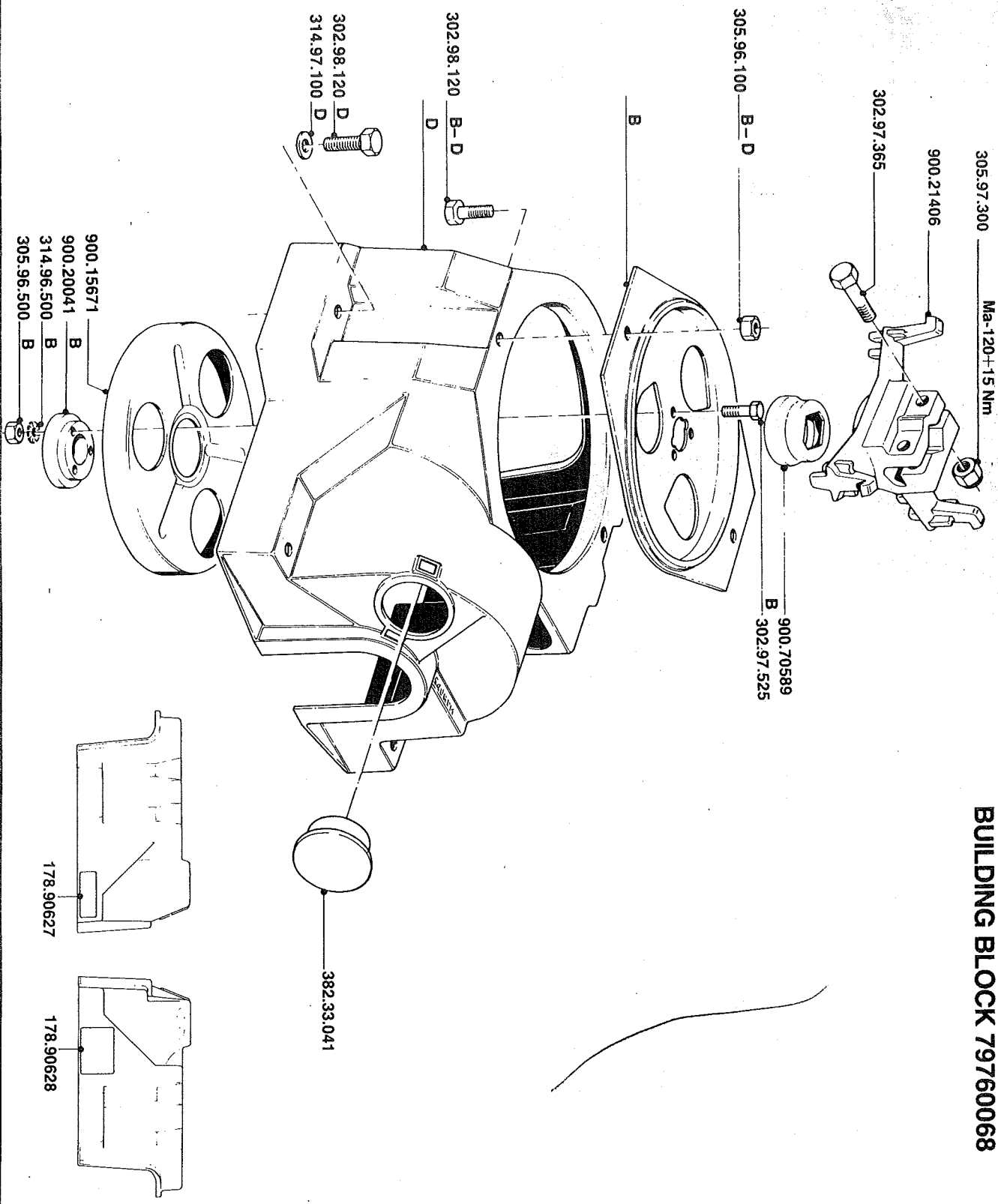


Serial number 22117

G4

Ma-120+15 Nm

BUILDING BLOCK 79760068



Bestellnummer  
Order number  
Num. a commander  
Bestellnummer



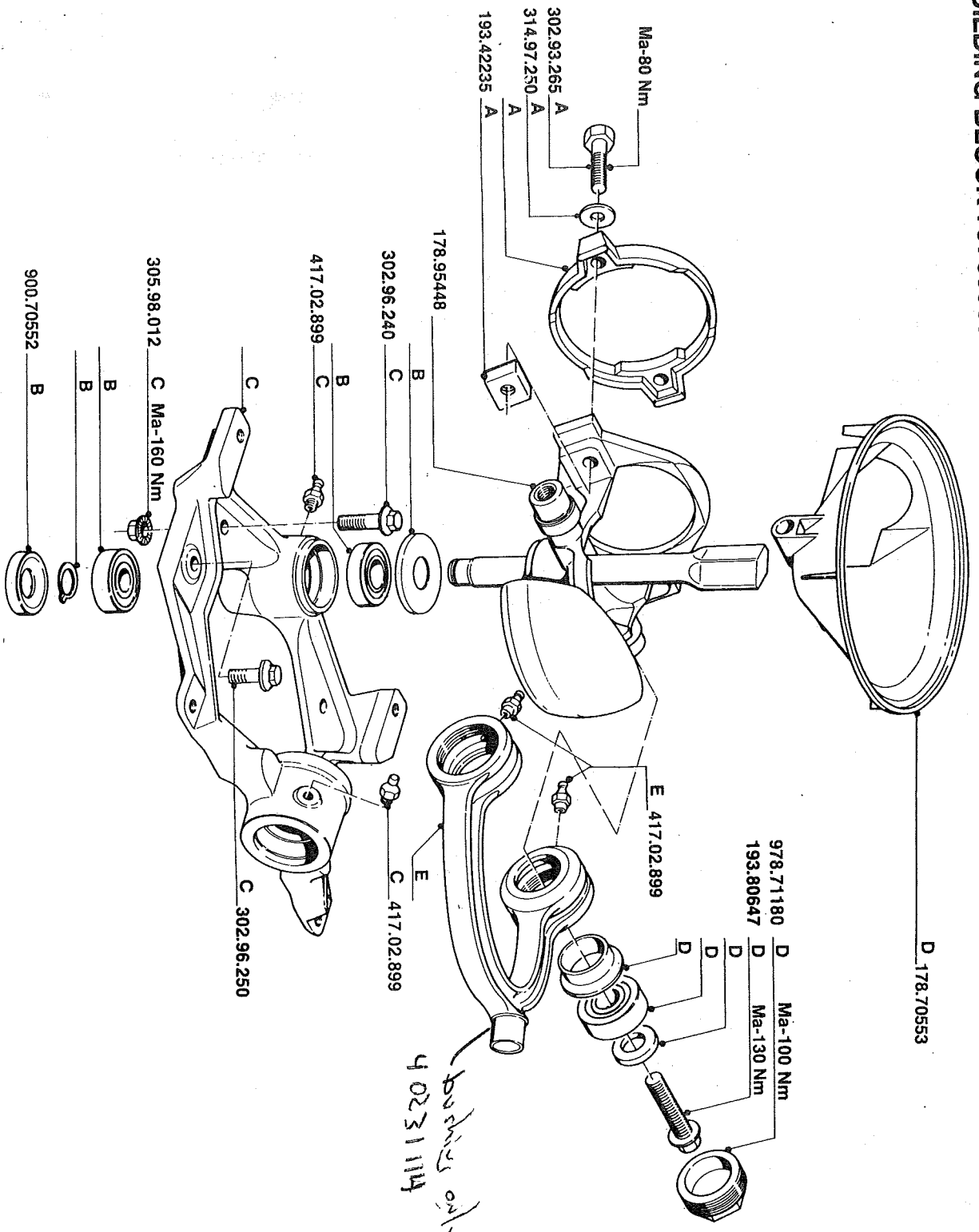
B=79220016  
D=79220018

797.60068	1	
178.90627	1	
178.90628	1	
302.97.365	2	8.8-M14x65
302.97.525	3	8.8-M5x25
302.98.120	6	8.8-M10x20
305.96.100	2	8/M10
305.96.500	3	8/M5
305.97.300	2	8/M14
314.96.500	3	A 5,1
314.97.100	4	10,5
382.33.041	1	
900.15671	1	
900.20041	1	
900.21406	1	
900.70589	1	

70.003.558-2

al number 22117  
 UILDING BLOCK 79760068

G5



bestelnummer  
 order number  
 num. à commander  
 Bestellnummer



- A = 79220020
- B = 79220021
- C = 79220022
- D = 79220030
- E = 79220024

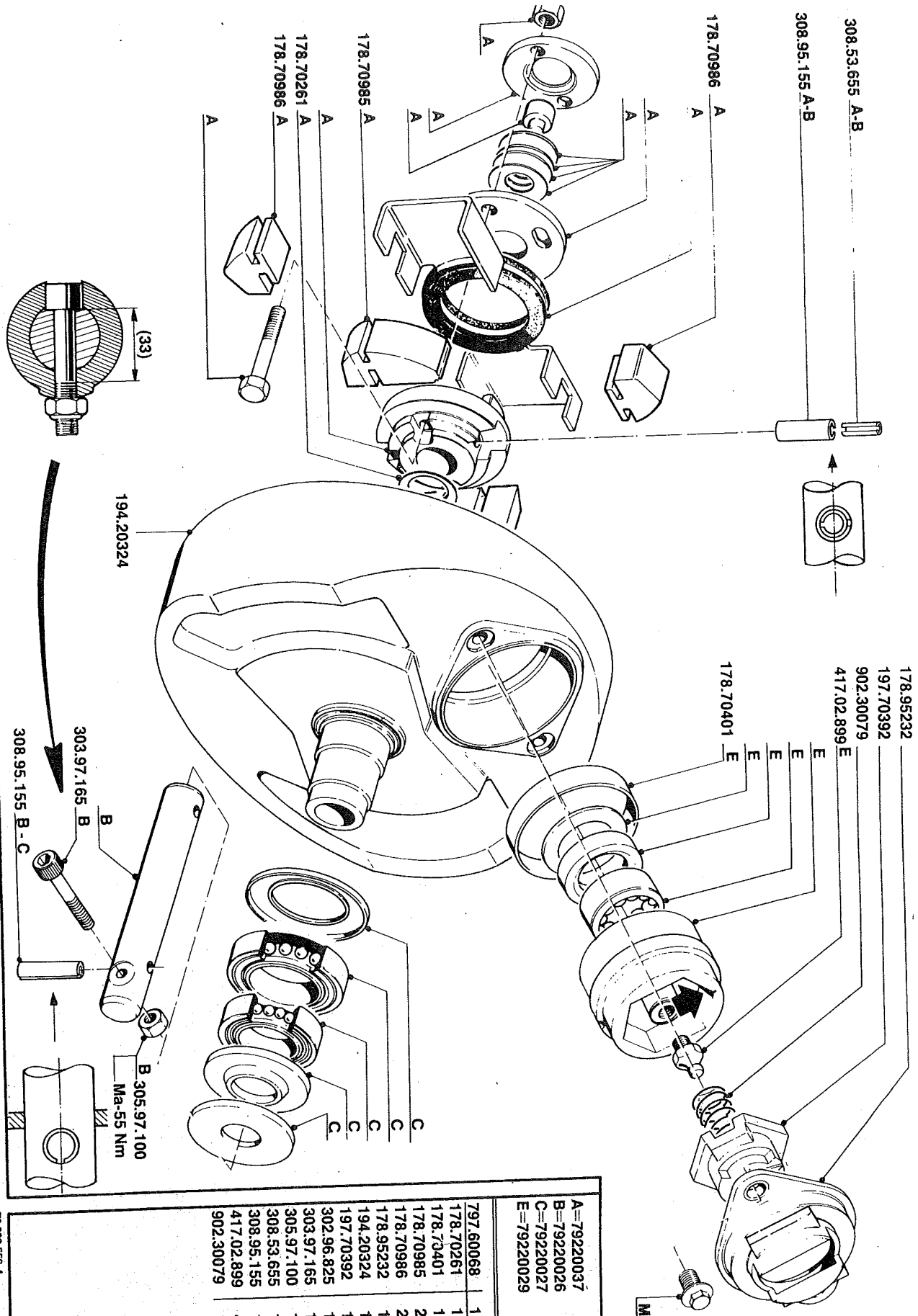
797.60068	1	10.9-M12x65
178.70553	1	K100-M12x40
178.95448	1	K100-M12x50
193.42235	2	K10/M12
193.80647	2	13
302.93.265	2	M8x1.25
302.96.240	2	
302.96.250	2	
305.98.012	4	
314.97.250	2	
417.02.899	4	
900.70552	1	
978.71180	2	

ial number 22117  
UILDING BLOCK 79760068

G6

SU

bestelnummer  
order number  
num. à commander  
Bestellnummer



Ma-23 Nm 302.96.825

A=79220037  
B=79220026  
C=79220027  
E=79220029

797.60068	1	K100-M8x25
178.70261	1	10.9-M10x65
178.70401	1	8/M10
178.70985	2	6x55
178.70986	2	10x55
178.95232	1	M8x1,25
194.20324	1	
197.70392	1	
302.96.825	1	
303.97.165	1	
305.97.100	1	
308.53.655	1	
308.95.155	1	
417.02.899	4	
902.30079	1	

70.003.558-4