

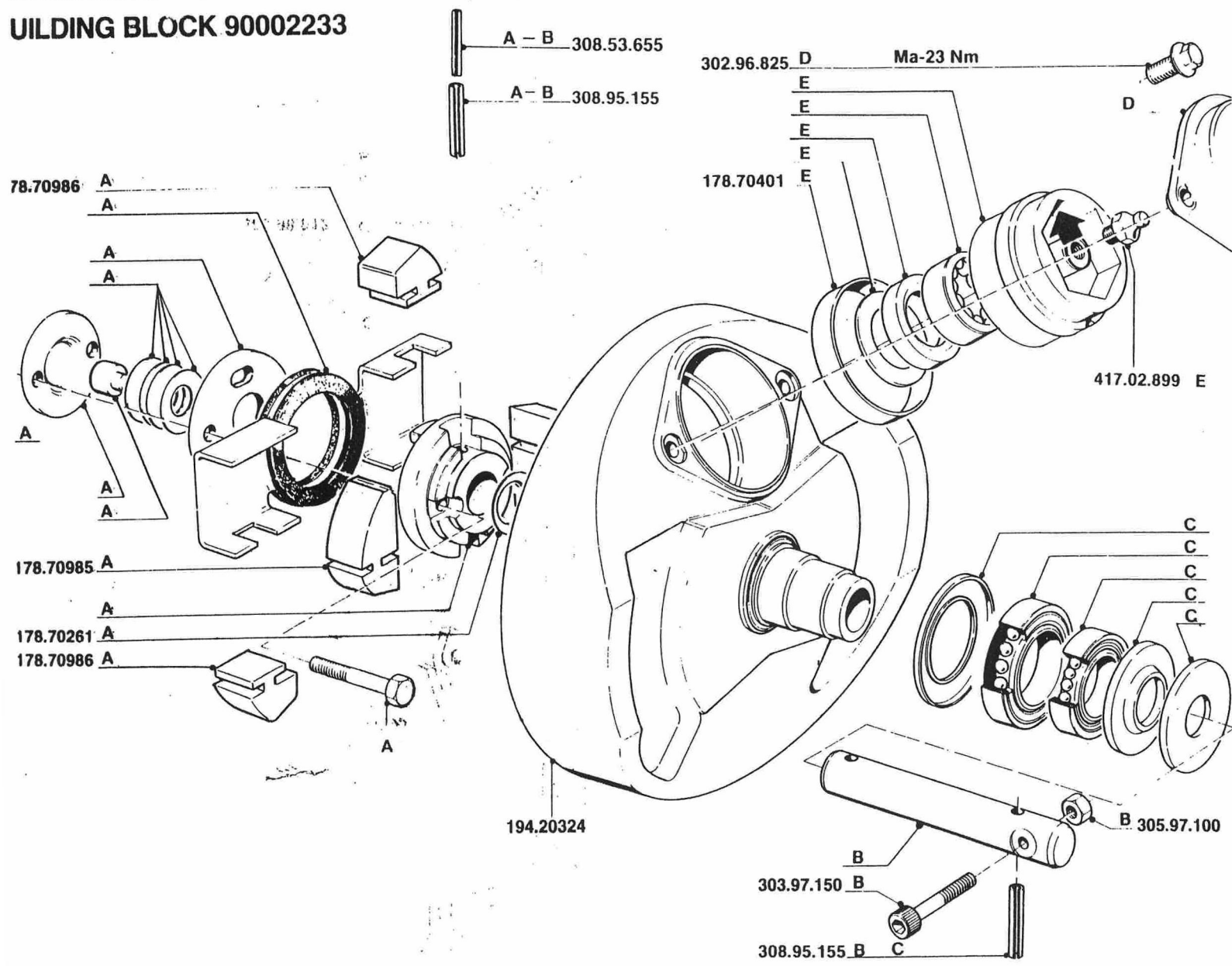


spare parts list
vari-spreader
spreading unit

serie 22115



BUILDING BLOCK 90002233



bestelnummer
 ordernummer
 num. à commander
 Bestellnummer

A=79220037
 B=79220026
 C=79220027
 D=79220028
 E=79220029

90002233	1	
178.70261	1	
178.70401	1	
178.70985	2	
178.70986	2	
194.20324	1	
302.96.825	1	K100-M8x25
303.97.150	1	10.9-M10x50
305.97.100	1	8/M10
308.53.655	1	6x55
308.95.155	1	10x55
417.02.899	4	M8x1,25

il number 22115
 BUILDING BLOCK 90002233

F14

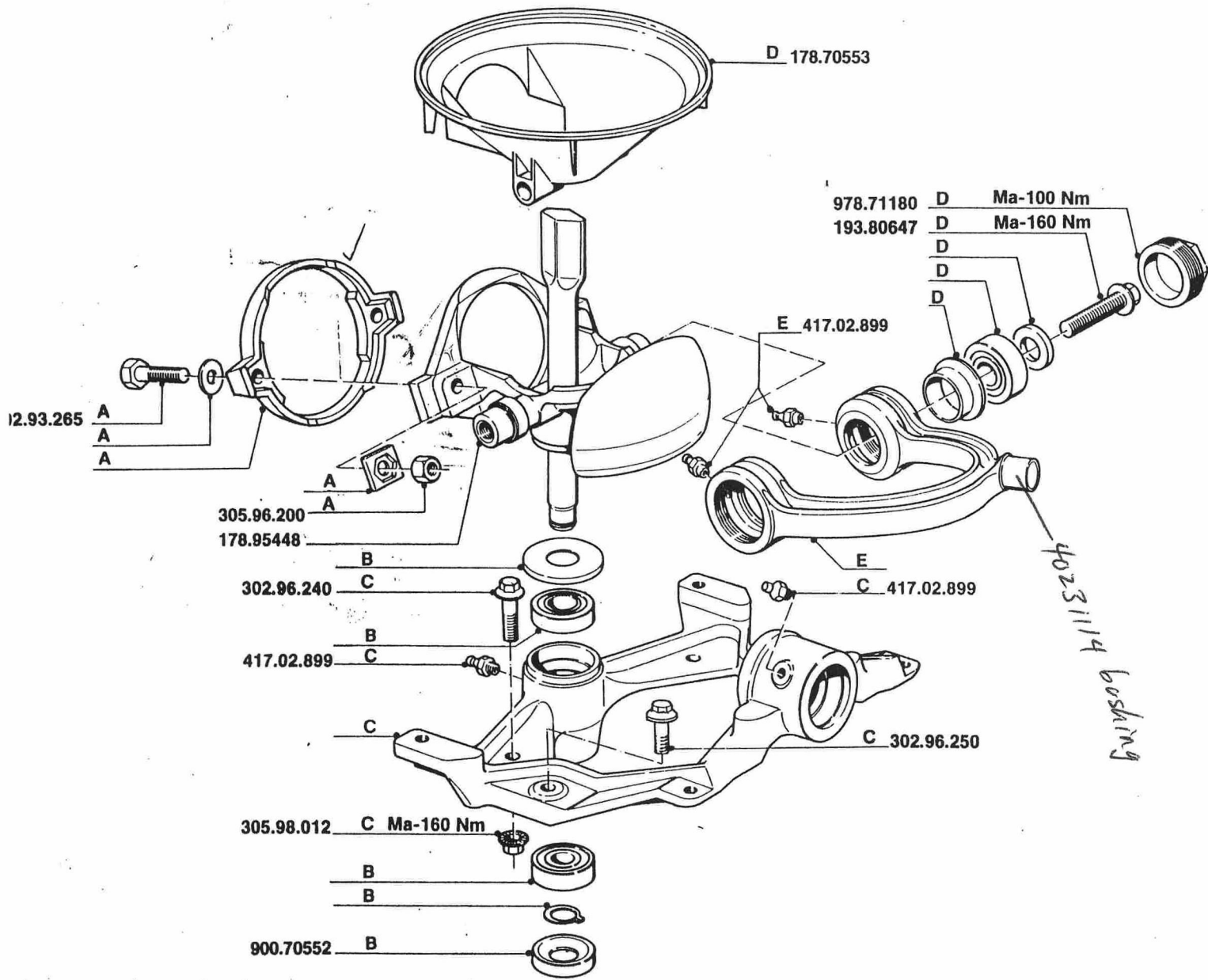
SU

bestelnummer
 ordernumber
 num. à commander
 Bestellnummer



A = 79220020 OK
 B = 79220021 OK
 C = 79220022 OK
 D = 79220030 OK
 E = 79220024

900.02233	1	
178.70553	1	
178.95448	1	
193.80647	2	
302.93.265	2	10.9-M12x65
302.96.240	2	K100-M12x40
302.96.250	2	K100-M12x50
305.96.200	2	8/M12
305.98.012	4	K10/M12
417.02.899	4	M8x1,25
900.70552	1	
978.71180	2	



al number 22115

F13

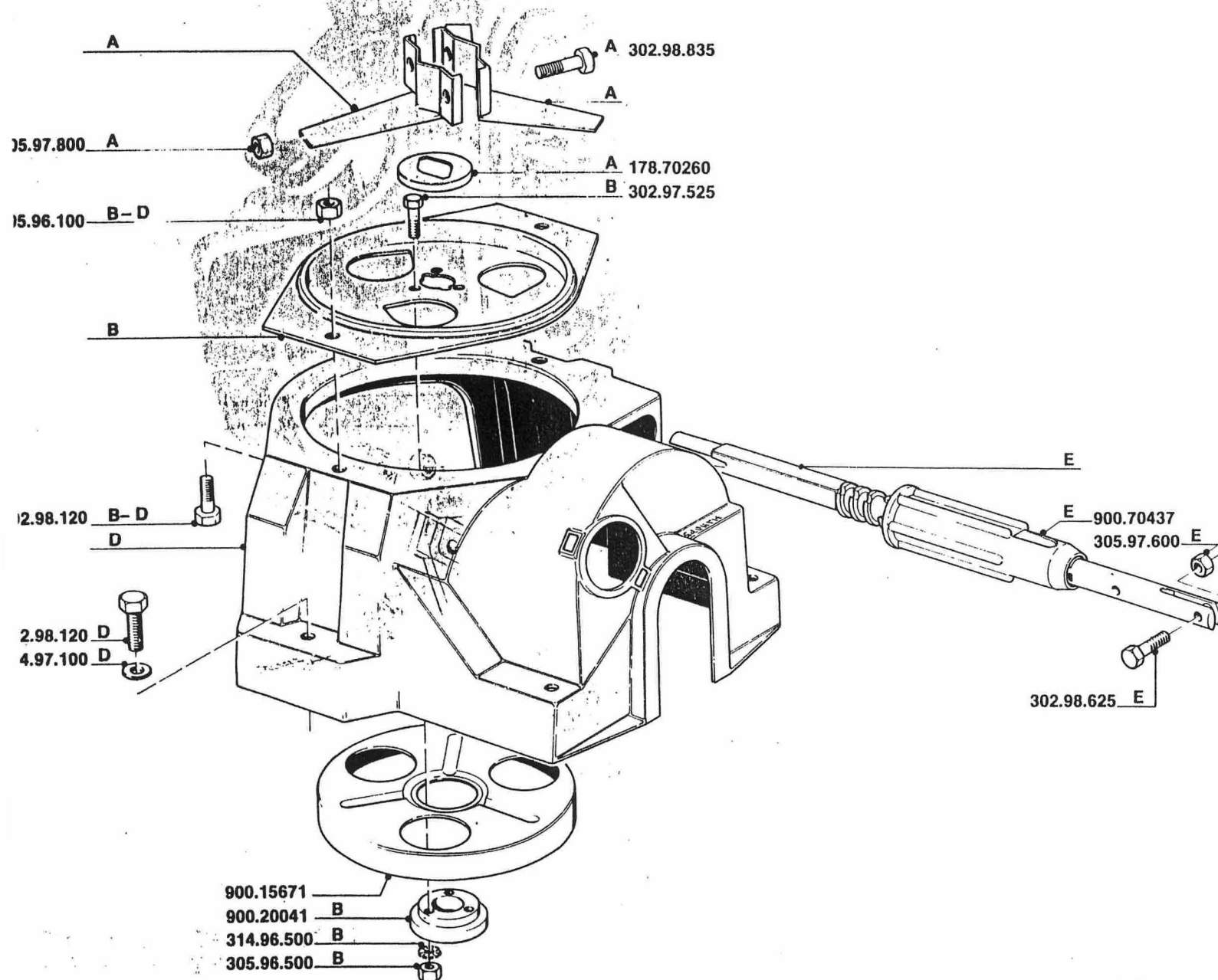
SU

BUILDING BLOCK 90002233

bestelnummer
ordernumber
num. a commander
Bestellnummer



A=79220015
B=79220016
D=79220018
E=79220019



900.02233	1	
178.70260	1	
302.97.525	3	8.8-M5x25
302.98.120	6	8.8-M10x20
302.98.625	1	8.8-M6x25
302.98.835	2	8.8-M8x35
305.96.100	2	8/M10
305.96.500	3	8/M5
305.97.600	1	8/M6
305.97.800	2	8/M8
314.96.500	3	A 5,1
314.97.100	4	10,5
900.15671	1	
900.20041	1	
900.70437	1	