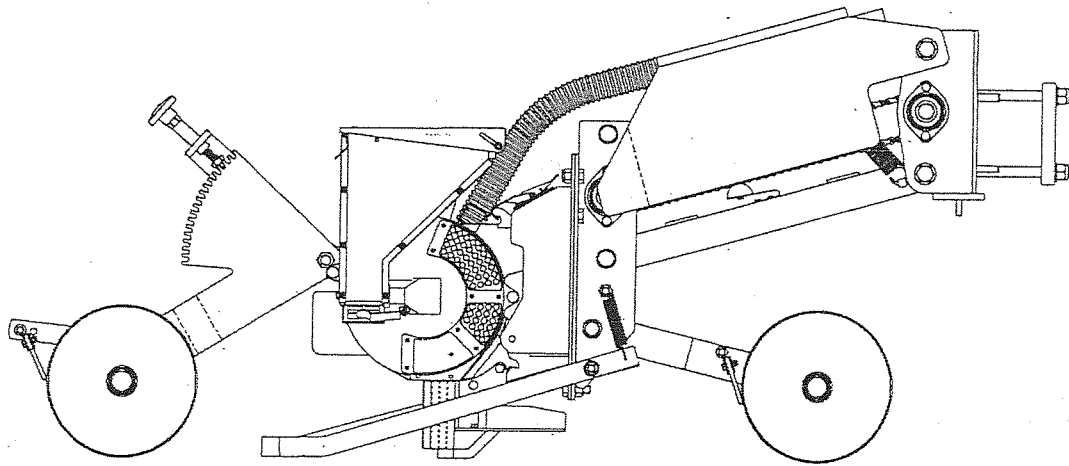


**STANHAY**  
PRECISION SEEDERS



**STAR**

Parts Manual

## PARTS ENQUIRIES

Stanhay Webb Limited  
Invicta Works  
Houghton Road  
Grantham  
Lincolnshire  
England  
NG31 6JE

Tel: +44 (0)1476 515406  
Fax: +44 (0)1476 515407

WHEN ORDERING PARTS PLEASE QUOTE THE FOLLOWING INFORMATION:

1. Model: Star
2. Order No.
3. Part No. and description

### PLEASE NOTE:

The parts listed are not necessarily supplied as unit items, they may be part of an assembly or be packed in quantities.

Some of the parts shown are optional extras and are not fitted as standard to new machines.

## STAR PARTS MANUAL

### CONTENTS

CONTENTS		1
SEED DISCS		2-6
METERING UNIT	-Hopper Side	7-10
	-Drive Side	10-12
	-Hopper Extensions	13
COULTERS		14-28
ROW UNIT	-Chassis	29-32
	-Final Drive	33
BLANK PAGE		34
LAND WHEEL		35-41
	-Jack Screw	42
	-Jack Screw (spring loaded)	43
	-Secondary Drive Jockey	44
	-Microband/ F180 Drive Parts	45
ROW UNIT WHEELS	-Zero Pressure	46
	-Cage	47
	-Stainless Steel	48
	-Large/ Medium/ Concave Zero Pressure	49
SEED PRESS WHEELS	-1 Line	50
/ DRAG COVERERS	-65mm Wide	51
	-75mm Wide	52
	-100mm Wide -2 Line	53
	-100mm Wide -3 Line	54
	-125mm Wide	55
	-150mm Wide	56
ARM COVERERS		57
DRAG COVERERS		58
CLOD DEFLECTORS		59
FAN	-26 Rib	60
	-Shaft Housing	61
	-26 Rib Fan Shaft Assemblies	62
	-Hydraulic Drive/ Remote Fan Brackets	63
	-Vacuum & Pressure Gauges	64
MISC. COMPONENTS		65
MARKERS	-Single Fold Hydraulic	66
	-Manual Markers	67-70
	-Twin Fold Hydraulic	71
HEAVY DUTY CAT. 2 HEADSTOCK/ BRACKETS		72
HEADSTOCK, TOOLBARS AND SHAFTS		73-74
YOKE BARS		75-76
FIXED BRACKETS, PIVOTS & PIVOT LIMITERS		77-82

Item No	Item Description
SHW6902706	SEED DISC-NO HOLES
SHW6902970	SEED DISC-0.5 X 12 GROUPS OF 3
SHW6902868	SEED DISC-0.5 X 12 GROUPS OF 2
SHW6902865	SEED DISC-0.5 X 24 GROUPS OF 2
SHW6903150	SEED DISC-0.5 X 24 GROUPS OF 2
SHW6903543	SEED DISC-0.5X12 GRPS 2 OUTER
SHW6903545	SEED DISC-0.5X12 GRPS 2 INNER
SHW6903544	SEED DISC-0.5X12 GRPS 2 MIDDLE
SHW6903674	SEED DISC-0.50 X 72 X 2LINE
SHW6903405	SEED DISC-0.50 X 72 X 1 LINE
SHW6902557	SEED DISC-0.50 X 48 X 2 LINE
SHW6902558	SEED DISC-0.50 X 96 X 2 LINE
SHW6902559	SEED DISC-0.50 X 192 X 2 LINE
SHW6904507	SEED DISC-0.50 X 96 4 LINE
SHW6902400	SEED DISC-0.50 X 48 X 3 LINE
SHW6902488	SEED DISC-0.50 X 48 X 1 LINE
SHW6902489	SEED DISC-0.50 X 24 X 1 LINE
SHW6903095	SEED DISC-0.50 X 144 X 2 LINE
SHW6903765	SEED DISC-0.50 X 0 /144/144
SHW6902568	SEED DISC-0.50 X 96/96/72 SPEC
SHW6903764	SEED DISC-0.50 X 144/ 0 /144
SHW6902532	SEED DISC-0.50 X 96 X 1 LINE
SHW6902533	SEED DISC-0.50 X 12 X 1 LINE
SHW6902702	SEED DISC-0.50 X 192 X 3 LINE
SHW6902698	SEED DISC-0.50 X 144 X 3 LINE
SHW6902690	SEED DISC-0.50 X 96 X 3 LINE
SHW6904564	SEED DISC-0.6 X 120 4 LINE
SHW6904406	SEED DISC-0.6 X 120 X 3 LINE
SHW6903792	SEED DISC-0.6 X 24 X 1-LINE
SHW6903774	SEED DISC-0.6 X 10 GROUPS OF10
SHW6904577	SEED DISC 0.6X48 2LINE
SHW6903714	SEED DISC-0.6X 9 GRPS 3 INNER
SHW6902566	SEED DISC-0.60 X 96 X 1 LINE
SHW6902645	SEED DISC-0.60 X 48 X 3 LINE
SHW6903436	SEED DISC-0.60 X 144/0/144SPEC
SHW6903435	SEED DISC-0.60 X 0/144/144SPEC
SHW6902648	SEED DISC-0.60 X 24 X 3 LINE
SHW6903406	SEED DISC-0.60 X 96 X I/S LINE
SHW6904504	SEED DISC-0.60 X 96 INNER LINE
SHW6902667	SEED DISC-0.60 X 144 X 3 LINE
SHW6902668	SEED DISC-0.60 X 144 X 2 LINE
SHW6902669	SEED DISC-0.60 X144/144/108 SP
SHW6903272	SEED DISC-0.60 X 72/72/48 SPEC
SHW6903269	SEED DISC-0.60 X 192 X 1 LINE
SHW6903247	SEED DISC-0.60 X 144 X 1 LINE
SHW6904505	SEED DISC 0.60X144X108X108X144
SHW6902691	SEED DISC-0.60 X 48 X 2 LINE
SHW6904563	SEED DISC-0.60X144X0X144X144 S
SHW6904276	SEED DISC-0.60 X 144 4 LINE
SHW6903742	SEED DISC-0.60 X 96 4 LINE
SHW6902639	SEED DISC-0.60 X 48/48/36 SPEC

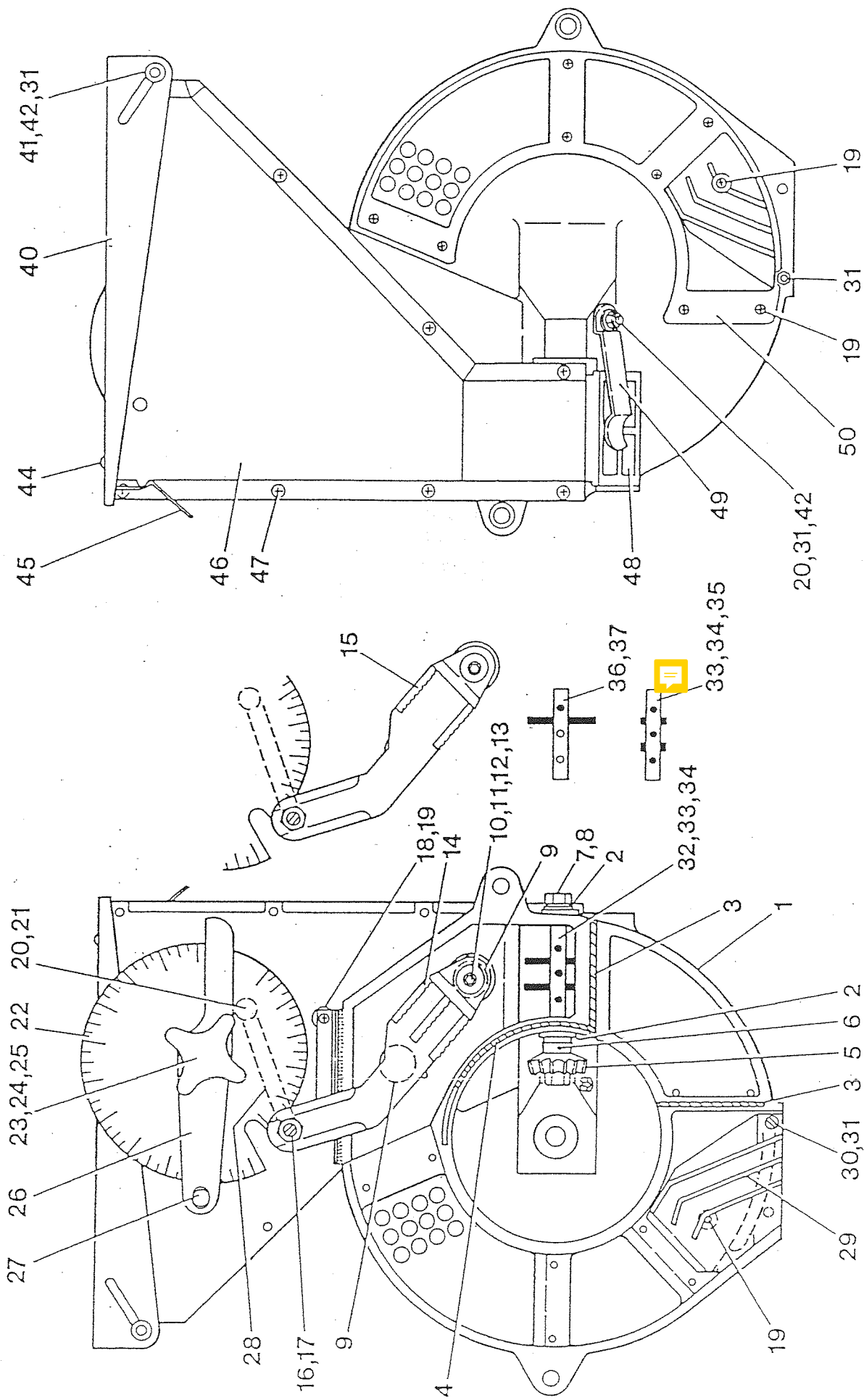
Item No	Item Description
SHW6902624	SEED DISC-0.60 X 48 X 1 LINE
SHW6902637	SEED DISC-0.60 X 96 X 2 LINE
SHW6903161	SEED DISC-0.60 X 96/72/72 SPEC
SHW6903160	SEED DISC-0.60 X 72/96/72 SPEC
SHW6904562	SEED DISC-0.60X0X144X144X144 S
SHW6902776	SEED DISC-0.60 X 72 X 1 LINE
SHW6902777	SEED DISC-0.60 X 72 X 2 LINE
SHW6902778	SEED DISC-0.60 X 72 X 3 LINE
SHW6903149	SEED DISC-0.60 X 96/96/82 SPEC
SHW6903099	SEED DISC-0.60 X 192 X 3 LINE
SHW6904524	SEED DISC-0.60 X 24 X 2 LINE
SHW6903094	SEED DISC-0.60 X 96/120/0 SPEC
SHW6903093	SEED DISC-0.60 X 120/96/0 SPEC
SHW6903092	SEED DISC-0.60 X 120 X 2 LINE
SHW6903071	SEED DISC-0.60 X 144 X I/S LIN
SHW6902563	SEED DISC-0.60 X 96 X 3 LINE
SHW6902967	SEED DISC-0.60 X 60 X 1 LINE
SHW6902630	SEED DISC-0.60 X 96/96/72 SPEC
SHW6903874	SEED DISC-0.60 X 72 4 LINE
SHW6903111	SEED DISC-0.7 X 24 GROUPS OF 3
SHW6902979	SEED DISC-0.7 X 12 GROUPS OF 4
SHW6903793	SEED DISC-0.7 X 24 X 1 LINE
SHW6902531	SEED DISC-0.7 X 12 GROUPS OF 3
SHW6903788	SEED DISC-0.70 X 48 X 1 LINE
SHW6903167	SEED DISC-0.70 X 12 X 1 LINE
SHW6903147	SEED DISC-0.70 X 120 X 2 LINE
SHW6903146	SEED DISC-0.70 X 96 X 2 LINE
SHW6903122	SEED DISC-0.70 X 120 X 3 LINE
SHW6903417	SEED DISC-0.8 X12GRPS OF 2-ISL
SHW6903794	SEED DISC-0.8 X 20 X 1 LINE
SHW6903899	SEED DISC-0.8 X 192 X 2 LINE
SHW6904034	SEED DISC-0.8 X12GRPS OF 2 (T1)
SHW6903359	SEED DISC-0.8 X12GRPS OF 2 (T2)
SHW6902966	SEED DISC-0.8 X 12 GROUPS OF 3
SHW6904578	SEED DISC 0.8X72 1 LINE- INNER
SHW6902567	SEED DISC-0.80 X 96 X 1 LINE
SHW6903755	SEED DISC-0.80 X 120 X 3 LINE
SHW6904566	SEED DISC-0.80 X 130/130/117SP
SHW6903753	SEED DISC-0.80 X 12 X I/S LINE
SHW6902647	SEED DISC-0.80 X 96 X 3 LINE
SHW6903724	SEED DISC-0.80 X 96 X 2L-STAG
SHW6904568	SEED DISC-0.80 X 130/143/117SP
SHW6903007	SEED DISC-0.80 X 144 X 2 LINE
SHW6904503	SEED DISC-0.80 X 192 X 3 LINE
SHW6903070	SEED DISC-0.80 X 48 X I/S LIN
SHW6903766	SEED DISC-0.80 X 144/ 0 /144
SHW6903975	SEED DISC-0.80 X108/108/96 SP
SHW6902958	SEED DISC-0.80 X 144 X 1 LINE
SHW6903767	SEED DISC-0.80 X 0 /144/144
SHW6902646	SEED DISC-0.80 X 48 X 2 LINE
SHW6903779	SEED DISC-0.80 X 0 /24 /0

Item No	Item Description
SHW6903986	SEED DISC-0.80 X 96/72/0 SPEC
SHW6904492	SEED DISC-0.80 X 144 MID LINE
SHW6904487	SEED DISC-0.80 X 96 4 LINE
SHW6902953	SEED DISC-0.80 X12GROUPS 4X 2L
SHW6904421	SEED DISC-0.80 X 72 X 2 LINE
SHW6903987	SEED DISC-0.80 X 72/96/0 SPEC
SHW6904411	SEED DISC-0.80 X 108 X 2 LINE
SHW6902562	SEED DISC-0.80 X 48 X 3 LINE
SHW6903362	SEED DISC-0.80 X 108 X 1 LINE
SHW6903361	SEED DISC-0.80 X 104 X 1 LINE
SHW6903360	SEED DISC-0.80 X 88 X 1 LINE
SHW6902643	SEED DISC-0.80 X 24 X 1 LINE
SHW6902930	SEED DISC-0.80 X 72 X 2 LINE
SHW6902750	SEED DISC-0.80 X 12 X 1 LINE
SHW6904511	SEED DISC-0.80 X 96 I/S LINE
SHW6902565	SEED DISC-0.80 X 48 X 1 LINE
SHW6903358	SEED DISC-0.80 X 24 X I/S LINE
SHW6904288	SEED DISC-0.80 X 120 X 1 LINE
SHW6903156	SEED DISC-0.80 X 120 X 2 LINE
SHW6904567	SEED DISC-0.80 X 143/130/117SP
SHW6902632	SEED DISC-0.80 X 96/96/72 SPEC
SHW6903868	SEED DISC-0.80 X 72 X 3 LINE
SHW6903164	SEED DISC-0.80 X 144 X 3 LINE
SHW6902828	SEED DISC-0.80 X 72 X 1 LINE
SHW6904275	SEED DISC-0.80 X 19 X 1 LINE
SHW6902629	SEED DISC-0.80 X 96 X 2 LINE
SHW6903206	SEED DISC-0.80 X 72/72/54 SPEC
SHW6903243	SEED DISC-0.80 X144/144/108 SP
SHW6902826	SEED DISC-0.80 X 24 X 2L STAG
SHW6903897	SEED DISC-0.80 X 32 X 1 LINE
SHW6902812	SEED DISC-0.80 X 24 X 2 LINE
SHW6903875	SEED DISC-0.80 X 72 4 LINE
SHW6902705	SEED DISC-1.0 X12GRPS OF 2(T1)
SHW6903976	SEED DISC-1.00 X144/144/108 SP
SHW6903771	SEED DISC-1.00 X 48 X I/S LINE
SHW6902957	SEED DISC-1.00 X 24 X 1 LINE
SHW6902829	SEED DISC-1.00 X 72 X 1 LINE
SHW6904414	SEED DISC-1.00 X 24 X I/S LINE
SHW6904593	SEED DISC-1.00 X 144 X 3 LINE
SHW6902670	SEED DISC-1.00 X 96 X 1 LINE
SHW6903822	SEED DISC-1.00 X 96/96/60 SPEC
SHW6902977	SEED DISC-1.00 X 96/96/72 SPEC
SHW6902944	SEED DISC-1.00 X 96 X 3 LINE
SHW6902625	SEED DISC-1.00 X 48 X 1 LINE
SHW6902623	SEED DISC-1.00 X 96 X 2 LINE
SHW6902490	SEED DISC-1.00 X 8 X 1 LINE
SHW6904559	SEED DISC-1.00 X 72 X 2 LINE
SHW6903876	SEED DISC-1.00 X 72 4 LINE
SHW6903313	SEED DISC-1.00 X 96/96/48 SPEC
SHW6902914	SEED DISC-1.2 X 12 GROUPS OF 3
SHW6902960	SEED DISC-1.20 X 48 X 2 LINE


Item No	Item Description
SHW6904069	SEED DISC-1.20 X 144 X 2 LINE
SHW6903252	SEED DISC-1.20 X 96 X I/S LINE
SHW6904070	SEED DISC-1.20 X 72 X 2 LINE
SHW6902692	SEED DISC-1.20 X 24 X 1 LINE
SHW6902640	SEED DISC-1.20 X 96 X 2 LINE
SHW6902961	SEED DISC-1.20 X 24 X I/S LINE
SHW6904284	SEED DISC-1.20 X 24 X 2 LINE
SHW6902626	SEED DISC-1.20 X 48 X 1 LINE
SHW6903241	SEED DISC-1.20 X 72 X 1 LINE
SHW6902642	SEED DISC-1.20 X 96/96/72 SPEC
SHW6903790	SEED DISC-1.20 X 120 X 3 LINE
SHW6902863	SEED DISC-1.20 X 12 X 1 LINE
SHW6903148	SEED DISC-1.20 X 48 X I/S LINE
SHW6903151	SEED DISC-1.20 X 72/96/72 SPEC
SHW6902534	SEED DISC-1.20 X 96 X 1 LINE
SHW6903152	SEED DISC-1.20 X 96/72/72 SPEC
SHW6902564	SEED DISC-1.20 X 96 X 3 LINE
SHW6902976	SEED DISC-1.20 X 144 X 1 LINE
SHW6903623	SEED DISC-1.4 X 24 GROUPS OF 2
SHW6904071	SEED DISC-1.4 X 120 X 2 LINE
SHW6904579	SEED DISC 1.4X72 1 LINE- INNER
SHW6903748	SEED DISC-1.40 X 0/48/0 SPEC
SHW6903747	SEED DISC-1.40 X 0/ 0/48 SPEC
SHW6902980	SEED DISC-1.40 X 24 X 1 LINE
SHW6902975	SEED DISC-1.40 X 96 X 1 LINE
SHW6903991	SEED DISC-1.40 X 24 X 2L-STAG
SHW6903481	SEED DISC-1.40 X 144 X 1 LINE
SHW6903768	SEED DISC-1.40 X 96/ 0 /96
SHW6903769	SEED DISC-1.40 X 0/ 96/96
SHW6904445	SEED DISC-1.40 X 24 X 1 LINE
SHW6903140	SEED DISC-1.40 X 96/96/72 SPEC
SHW6903139	SEED DISC-1.40 X 96 X 2 LINE
SHW6903125	SEED DISC-1.40 X 96 X 3 LINE
SHW6904178	SEED DISC-1.40 X 24 X 3 LINE
SHW6902963	SEED DISC-1.40 X 48 X 1 LINE
SHW6903110	SEED DISC-1.40 X 72 X 1 LINE
SHW6903109	SEED DISC-1.40 X 72 X 3 LINE
SHW6902952	SEED DISC-1.40 X 72 X 2 LINE
SHW6904292	SEED DISC-1.40 X 48/48/36 SPEC
SHW6902809	SEED DISC-1.40 X 48 X 2 LINE
SHW6902649	SEED DISC-1.40 X 48 X 3 LINE
SHW6904525	SEED DISC-1.50 96/96/72 SPEC
SHW6904522	SEED DISC-1.50 X 96/72/96 SPEC
SHW6902981	SEED DISC-1.6 X 12 GROUPS OF 2
SHW6903901	SEED DISC-1.6 X 120 X 2 LINE
SHW6904405	SEED DISC-1.6 X 108 X 3 LINE
SHW6904404	SEED DISC-1.6 X 120 X 3 LINE
SHW6903209	SEED DISC-1.60 X 72 X 1 LINE
SHW6903993	SEED DISC-1.60 X 90/72/72SPEC
SHW6903994	SEED DISC-1.60 X 72/90/72SPEC
SHW6903995	SEED DISC-1.60 X 0/72/90SPEC

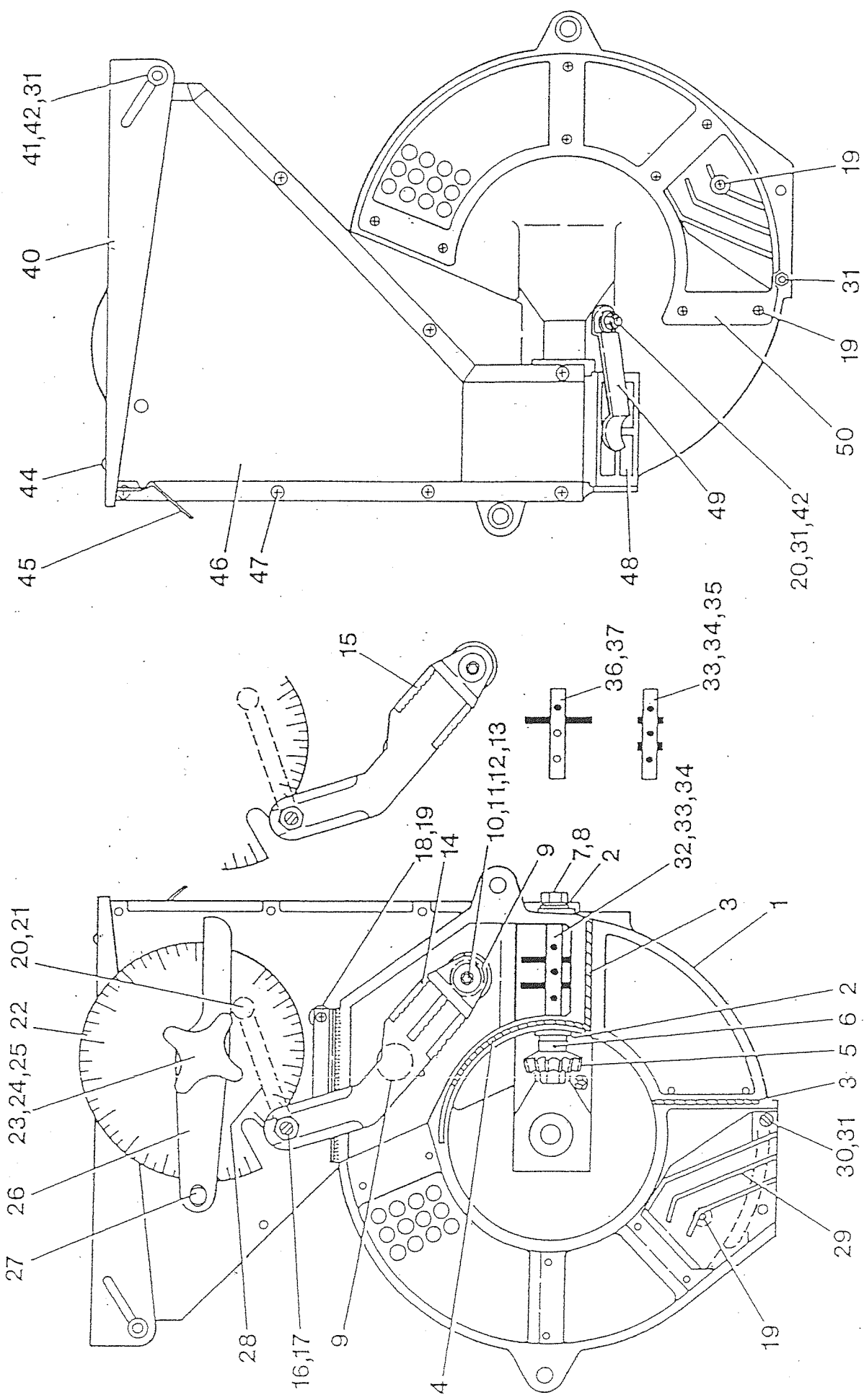
Item No	Item Description
SHW6903996	SEED DISC-1.60 X 90/ 0/72SPEC
SHW6903210	SEED DISC-1.60 X 48 X 1 LINE
SHW6902712	SEED DISC-1.60 X 24 X 1 LINE
SHW6903211	SEED DISC-1.60 X 96 X 2 LINE
SHW6904510	SEED DISC-1.60 X 48 X I/S LINE
SHW6903821	SEED DISC-1.60 X 96/96/72 SPEC
SHW6903820	SEED DISC-1.60 X 96 X 3 LINE
SHW6904304	SEED DISC-1.60 X 72/80/0
SHW6903157	SEED DISC-1.60 X 72 X 2 LINE
SHW6904201	SEED DISC-1.60 X 56/48/48 SPEC
SHW6904202	SEED DISC-1.60 X 48/56/48 SPEC
SHW6903145	SEED DISC-1.60 X 72 X 3 LINE
SHW6903144	SEED DISC-1.60 X 96 X 1 LINE
SHW6903273	SEED DISC-1.60 X 48 X 3 LINE
SHW6902864	SEED DISC-1.60 X 12 X 1 LINE
SHW6904289	SEED DISC-1.60 X 96 X I/S LIN
SHW6902821	SEED DISC-1.60 X 48 X 2 LINE
SHW6904303	SEED DISC-1.60 X 80/72/0
SHW6903690	SEED DISC-1.80 X 72 X 1 LINE
SHW6904394	SEED DISC-1.80 X 60 2 LINE
SHW6904096	SEED DISC-2.0 X 12 GROUPS OF 2
SHW6903414	SEED DISC-2.0 X 12 GROUPS OF 3
SHW6903255	SEED DISC-2.0 X 12 GROUPS OF 3
SHW6903057	SEED DISC-2.0 X 12 GROUPS OF 2
SHW6903438	SEED DISC-2.0 X 12 GROUPS OF 3
SHW6902810	SEED DISC-2.0X48 INNER&MIDDLE
SHW6902811	SEED DISC-2.0X48 INNER&OUTER
SHW6903091	SEED DISC-2.00 X 12 X 1 LINE
SHW6904025	SEED DISC-2.00 X 72 X 3 LINE
SHW6904560	SEED DISC-2.00 X 60 X 2 LINE
SHW6902535	SEED DISC-2.00 X 48 X 2 LINE
SHW6902671	SEED DISC-2.00 X 48 X 1 LINE
SHW6903726	SEED DISC-2.00 X 72 X 2 LINE
SHW6902651	SEED DISC-2.00 X 8 X 1 LINE
SHW6903212	SEED DISC-2.00 X 24 X 1 LINE
SHW6902775	SEED DISC-2.00 X 72 X 1 LINE
SHW6902582	SEED DISC-2.00 X 12 X I/S LINE
SHW6903112	SEED DISC-2.00 X 24 X 2 LINE
SHW6903332	SEED DISC-2.20 X 39 X 2L STG
SHW6903572	SEED DISC-2.20 X 72 X 2 LINE
SHW6902956	SEED DISC-2.20 X 48 X 1 LINE
SHW6902693	SEED DISC-2.20 X 48 X 2 LINE
SHW6903615	SEED DISC-2.20 X 72 X 1 LINE
SHW6904058	SEED DISC-2.5 X 12 GROUPS OF 2
SHW6903863	SEED DISC-2.5 X 12 GROUPS OF 3
SHW6902684	SEED DISC-2.50 X 24 X 1 LINE
SHW6903825	SEED DISC-2.50 X 72 X 1 LINE
SHW6902955	SEED DISC-2.50 X 28/48/20 SPEC
SHW6902954	SEED DISC-2.50 X 48/28/20 SPEC
SHW6903938	SEED DISC-48 HOLE CLUSTER SPIN





STAR METERING UNIT - HOPPER SIDE

Item No:	Part No:	Description:
1	7702828	Body - Hopper Side c/w items 2,23,27
2	2002012	Oilite Bearing
3	6902687	Felt Seal
4	6902687	Felt Seal - Inner Ring
5	7702880	15T Pinion/Spindle c/w item 6
6	2214280	Tension Pin
7	2311089	Flat Washer - Form A
8	6902665	Agitator Bolt - Short (L/H thread)
9	2701060	Singulator Spring
10	6902822	Singulator Spindle (spherical ball type)
11	6902823	Singulator Spindle End Cap
12	2375009	Socket Head Cap Screw
13	2303008	Hexagon Nut
14	7703032	Singulator - multi-line (c/w items 16,17)
	7703875	Singulator- 4-line (c/w items 16,17)
	7704026	Singulator- Red Beet (c/w items 16,17)
15	7703033	Singulator - single line (c/w items 16,17)
16	6902711	Eccentric Singulator Pin
17	2303007	Hexagon Nut
18	7702899	Singulator Brush - Hopper Side
19	2357002	Taptite Pozidriv Pan Head Screw
20	2332105	Slotted Cheese Head Screw
21	2303005	Hexagon Nut
22	2810204	Singulator Cam
23	6902496	Cam Stud
24	2311090	Flat Washer - Form A (between Cam and Body)
25	6404015	Handwheel
26	6902498	Singulator Setting Arm
27	6409340	Dowel
28	2702040	Singulator Arm Spring
29	2810215	Seed Splitter
	6903213	Red Beet Seed Splitter
	6903250	Lettuce Seed Splitter
	6903244	Crysathemum Seed Splitter
	7404134	4-Line seed Splitter
30	2332106	Slotted Cheese Head Screw
31	2303090	Nyloc Hexagon Nut
32	7702830	Agitator - Standard 
33	6902664	Agitator Spindle- L/H thread both ends

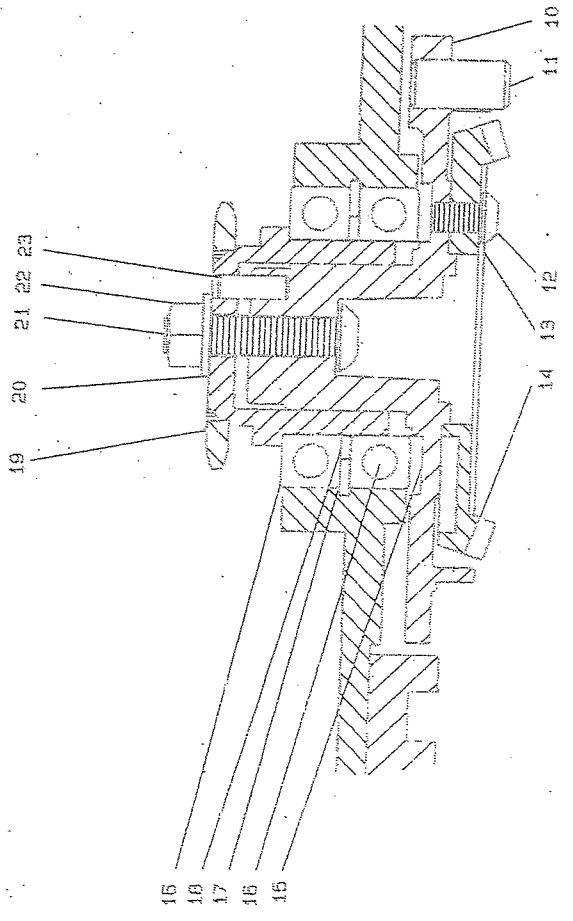
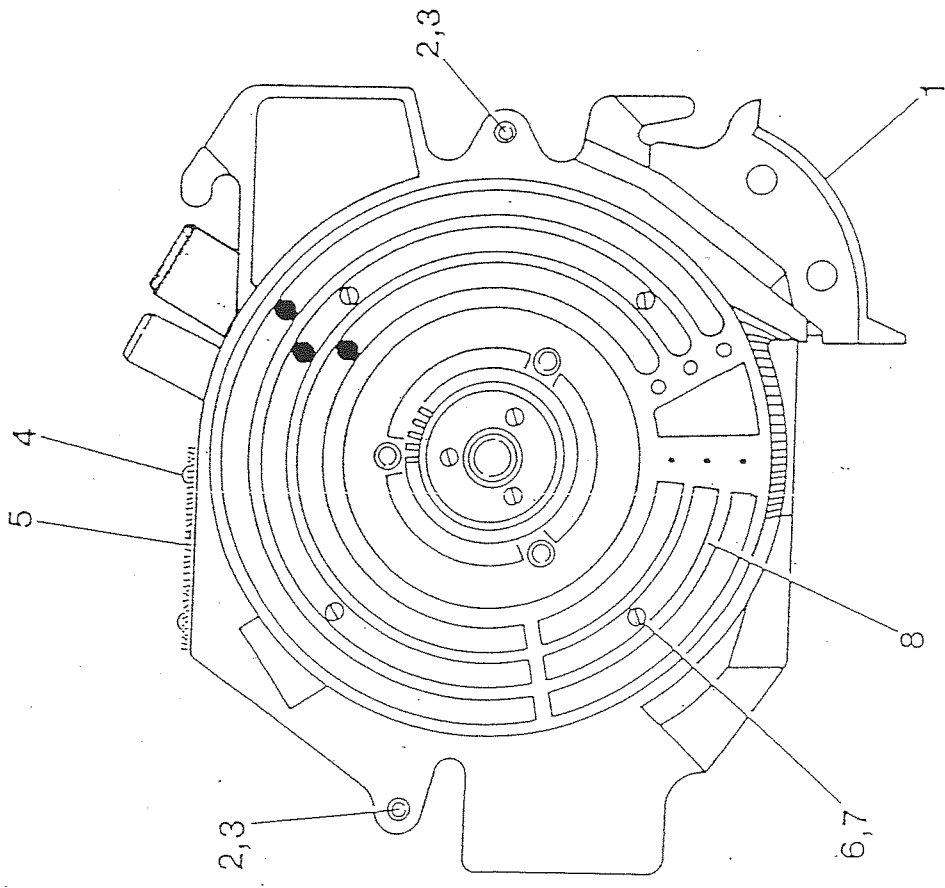


Item No:	Part No.	Description
34	2830040	Agitator Finger (snap-in)
* 35	7702861	Agitator - Large Pellet
36	7702860	Agitator - Raw Parsnip
37	2215260	Tension Pin (finger for raw parsnip)
38	Obsolete	
39	Obsolete	
40	8002647	2 litre Hopper Lid Kit (c/w items 41-45)
	8002648	1 litre Hopper Lid Kit (c/w items 41-45)
41	6903011	2 litre Hopper Hinge Pin
	2306009	Hexagon Bolt
42	2311132	Flat Washer - Form C
43	2211366	Nyloc Hexagon Nut
44	2212562	POP Rivet
45	2705009	Hopper Lid Clip
46	7402812	2 litre Hopper
	7402811	1 litre Hopper
	7403975	2 litre High Density Hopper (use 1 litre hopper lid)
47	2357022	Taptite Pozidriv Pan Head Screw
48	2810206	Unit Plug
49	2705008	Plug Clip
50	6902586	Cover Plate

#### KITS

8010047	Seed Splitter Kit (items 19,29,30,31)
8002508	Hopper Kit - 2 litre
8002507	Hopper Kit - 1 litre

\*For Agitator Finger use item 34 and cut to length after fitting.



## STAR METERING UNIT -- DRIVE SIDE

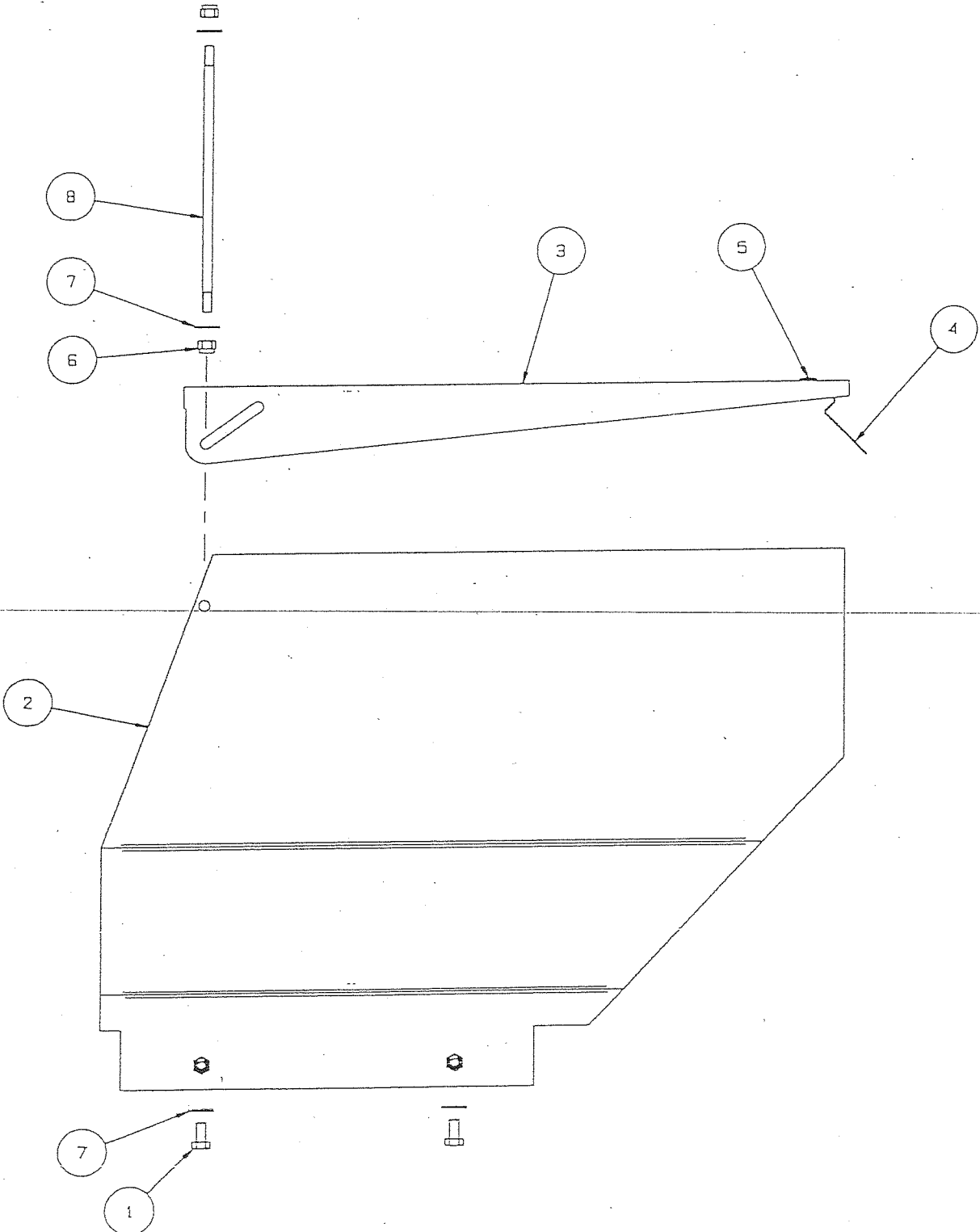
Item No:	Part No.	Description
1	7703248	Body - Drive Side
2	2309053	Hexagon Screw
3	6902514	Unit Conical Nut
4	2357002	Taptite Pozidriv Pan Hd Screw
5	7702898	Singulator Brush -- Drive Side
6	2332105	Slotted Cheese Head Screw
7	2309090	Nyloc Hexagon Nut
8	2810205	Air Gallery Block-Grey 3-Line
	6904497	Air Gallery Block-Grey 4-Line
	2810241	Air Gallery Block-White 3-Line
	6904501	Air Gallery Block-White 4-Line

### BODY/TURNTABLE

10	7702829	Turntable c/w items 11,23
11	6409339	Dowel
12	2357022	Taptite Pozidriv Pan Hd Screw
13	2311132	Flat Washer -- Form C
14	1502001	45T Crownwheel
15	6409402	Support Washer
16	1909029	Ball Bearing
17	2217215	Circlip
18	6409401	Support Shim (2 per unit)
19	7404487	12T Unit Sprocket
	7404403	15T Unit Sprocket
20	6902757	Unit Tab Washer
21	2377084	Socket Button Head Screw
22	2303007	Hexagon Nut
23	2215253	Tension Pin

\*\*See chain on Final Drive page\*\*

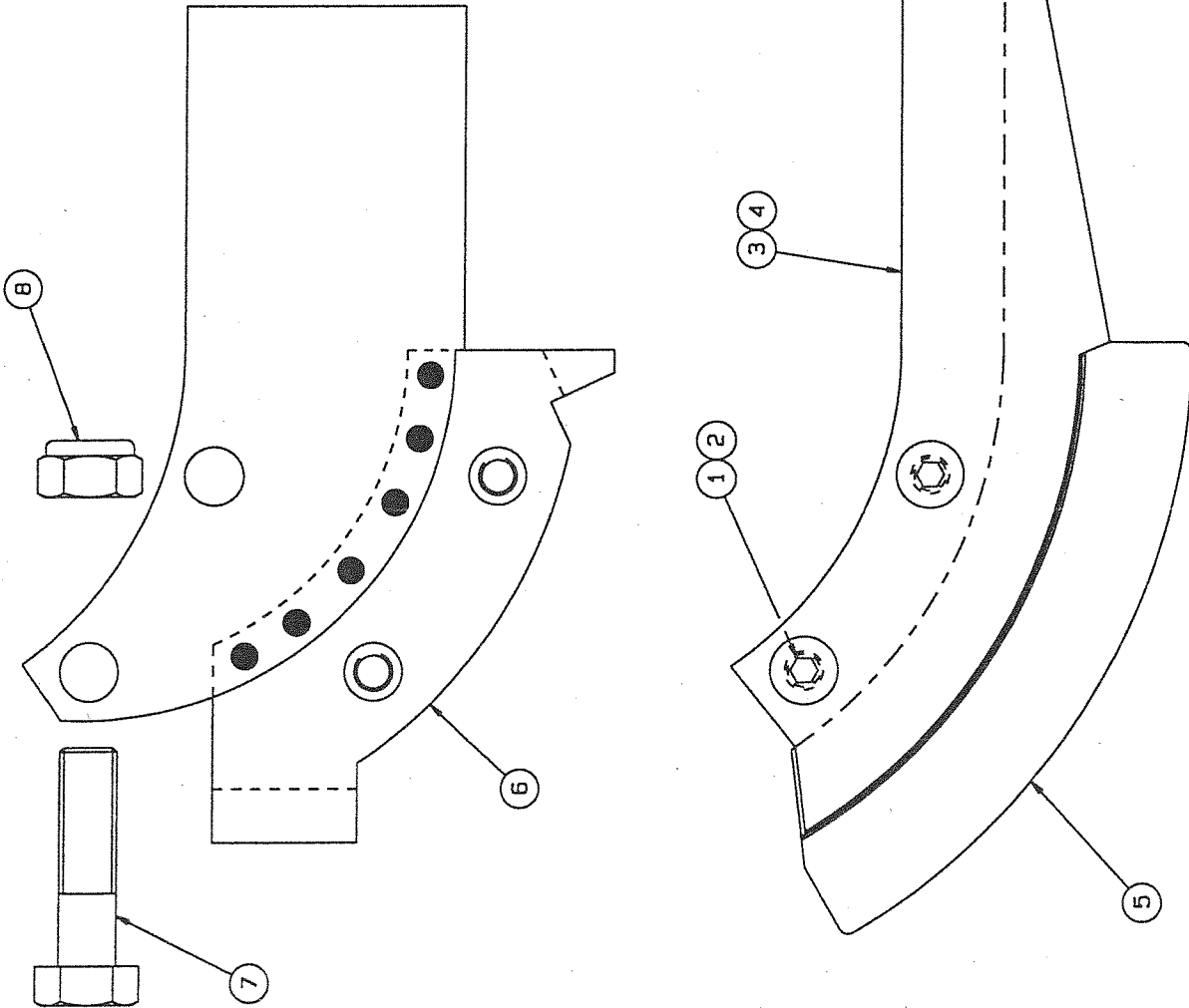
1	2309021	HEXAGON SCREW	4
2	7402995	EXTENSION FOR 1L HOPP.	1
	7402996	EXTENSION FOR 2L HOPP.	1
3	7702519	LID C/W ITEMS 4, 5	1
4	2705003	LID CLIP	1
5	2212562	POP RIVET	2
6	2303090	NYLOC NUT-FULL	2
7	2311132	FLAT WASHER-FORM C	6
8	6903012	HINGE PIN	1



ASSEMBLY: -7702900 EXTENSION FOR 1L HOPPER  
 7702901 EXTENSION FOR 2L HOPPER

HOPPER EXTENSIONS

1	2377079	SOCKET BUTTON SCREW	2
2	6902351	COULTER SCREW BOSS	2
3	3210176	COULTER SIDE RH	1
4	3210177	COULTER SIDE LH	1
5	3000495	COULT. INSERT-CAST IRON	1
	8010030	COULT. INSERT-CERAMIC	1
	8010079	COULT. INSERT-TEK TIP	1
6	7404003	HYLINE ADAPTOR	1
7	2306097	HEXAGON BOLT	2
8	2303110	NYLOC NUT-THIN	2



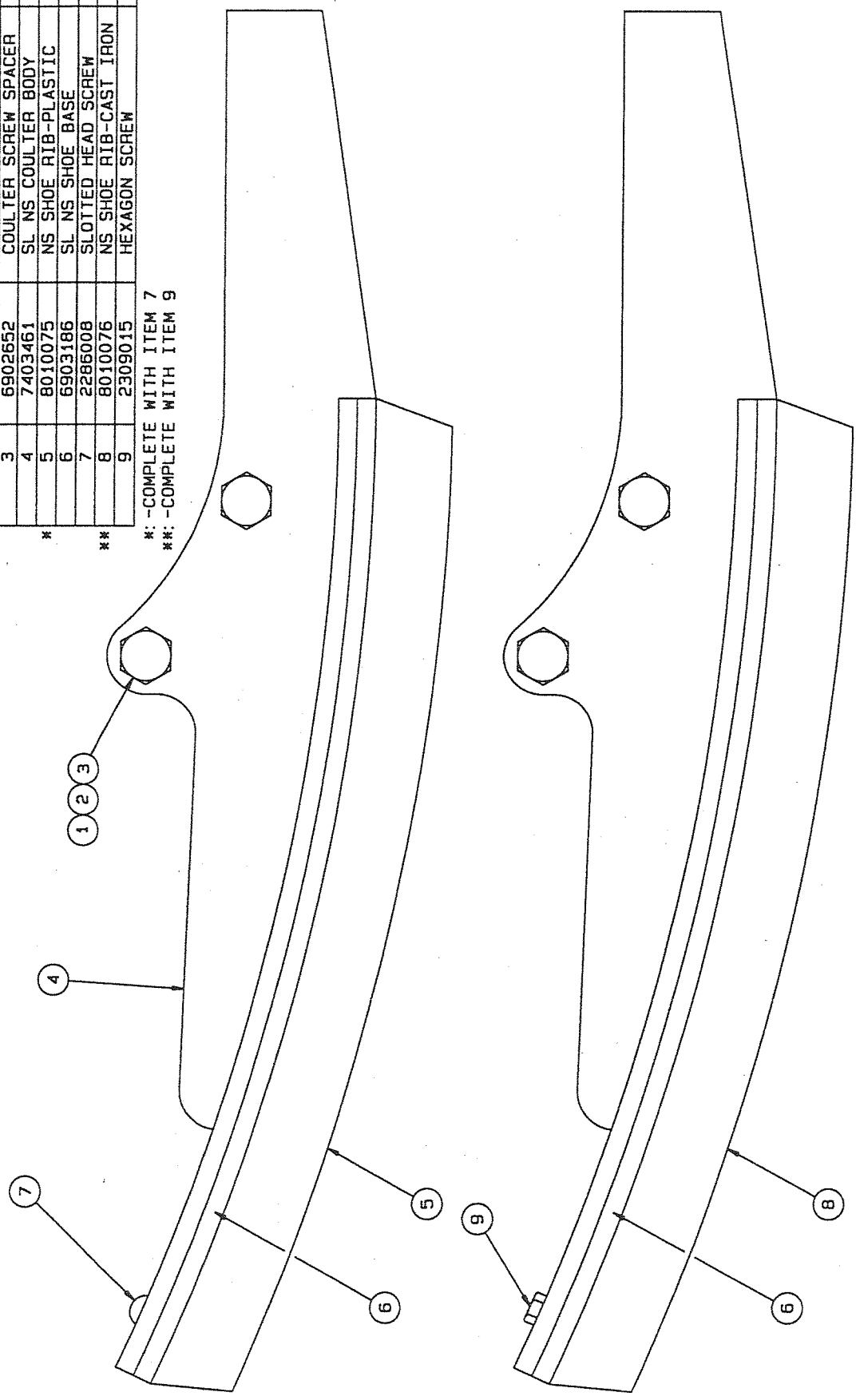
KITS: -  
 8002617 COULTER KIT-CAST IRON (ITEMS 1-5)  
 8002550 COULTER KIT-CERAMIC (ITEMS 1-5)  
 8003407 COULTER KIT-TEK TIP (ITEMS 1-5)  
 8003510 HYLINE SINGLE LINE ADAPTOR (ITEMS 6-8)

SINGLE LINE COULTER



1	2306038	HEXAGON BOLT	2
2	2303007	HEXAGON NUT	2
3	6902652	COULTER SCREW SPACER	2
4	7403461	SL NS COULTER BODY	1
5	8010075	NS SHOE RIB-PLASTIC	1
6	6903186	SL NS SHOE BASE	1
7	2286008	SLOTTED HEAD SCREW	3
8	8010076	NS SHOE RIB-CAST IRON	1
9	2309015	HEXAGON SCREW	3

\*: -COMPLETE WITH ITEM 7  
 \*\*: -COMPLETE WITH ITEM 9



ASSEMBLIES: -  
 7703307 NON-STICK COULTER ASSEMBLY-PLASTIC (ITEMS 1-7)  
 7703503 NON-STICK COULTER ASSEMBLY-CAST (ITEMS 1-6, 8)

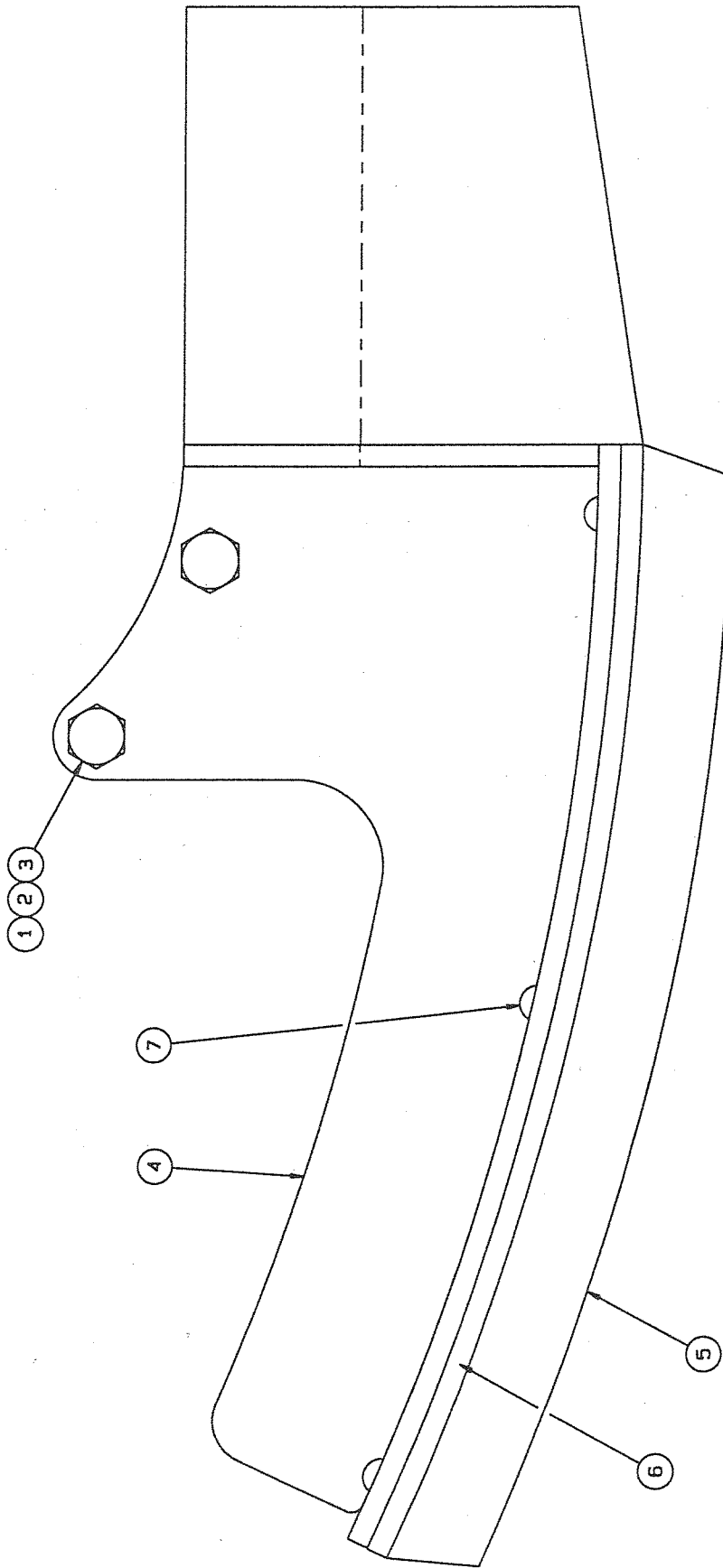
SINGLE LINE LOLINE NON-STICK COULTER

ASSEMBLY: --

7703504 NON-STICK COULTER ASSEMBLY-PLASTIC (ITEMS 1-7)

1	2306038	HEXAGON BOLT	2
2	2303007	HEXAGON NUT	2
3	6902652	COULTER SCREW SPACER	2
4	7403663	SL NS COULTER BODY	1
5	8010075	NS SHOE RIB-PLASTIC	1
6	6903186	SL NS SHOE BASE	1
7	2286008	SLOTTED HEAD SCREW	3

\*: -COMPLETE WITH ITEM 7



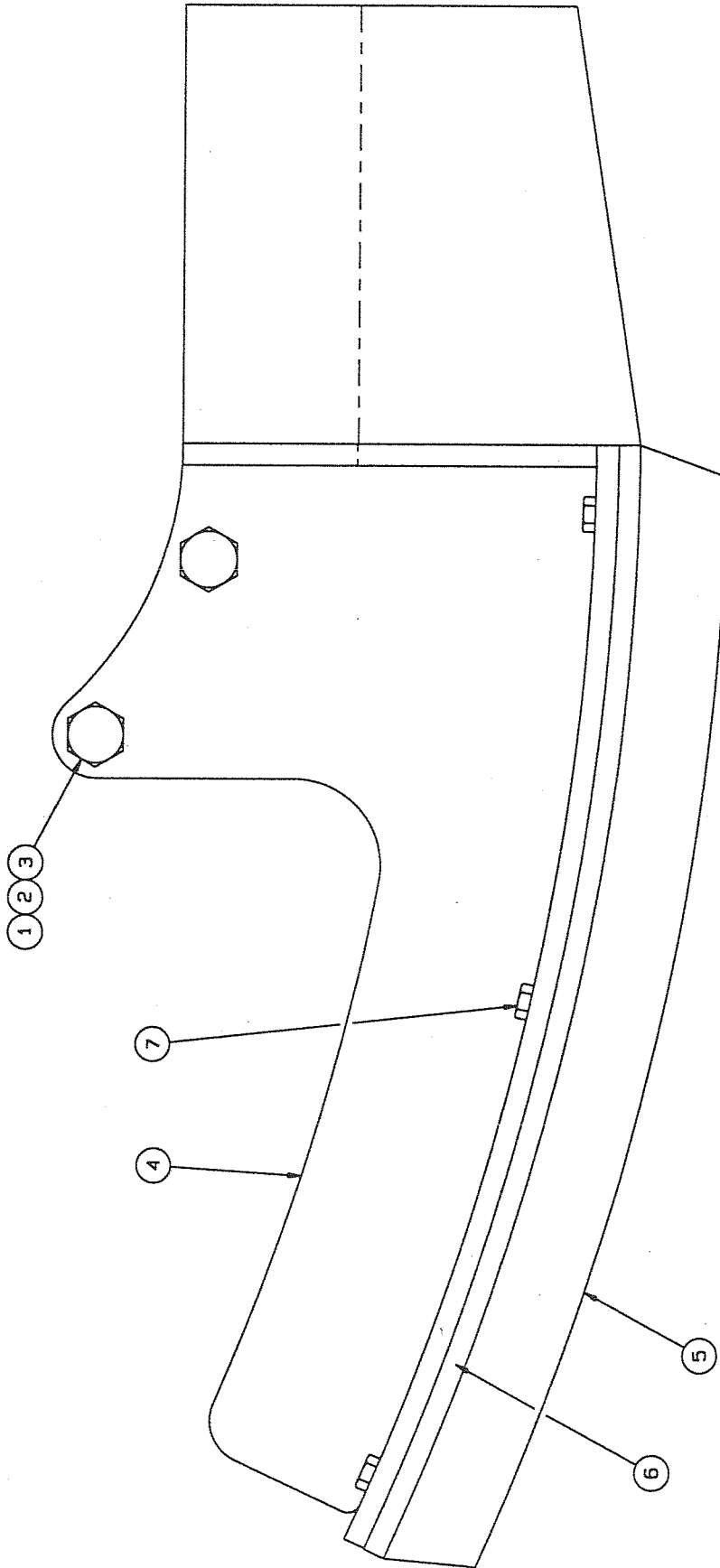
SINGLE LINE HYLINE NON-STICK COULTER-PLASTIC

ASSEMBLY: -

7703505 NON-STICK COULTER ASSEMBLY-CAST IRON (ITEMS 1-7)

1	2306038	HEXAGON BOLT	2
2	2303007	HEXAGON NUT	2
3	6902652	COULTER SCREW SPACER	2
4	7403663	SL NS COULTER BODY	1
5	8010076	NS SHOE RIB-CAST IRON	1
6	6903186	SL NS SHOE BASE	1
7	2309015	HEXAGON SCREW	3

\*: -COMPLETE WITH ITEM 7

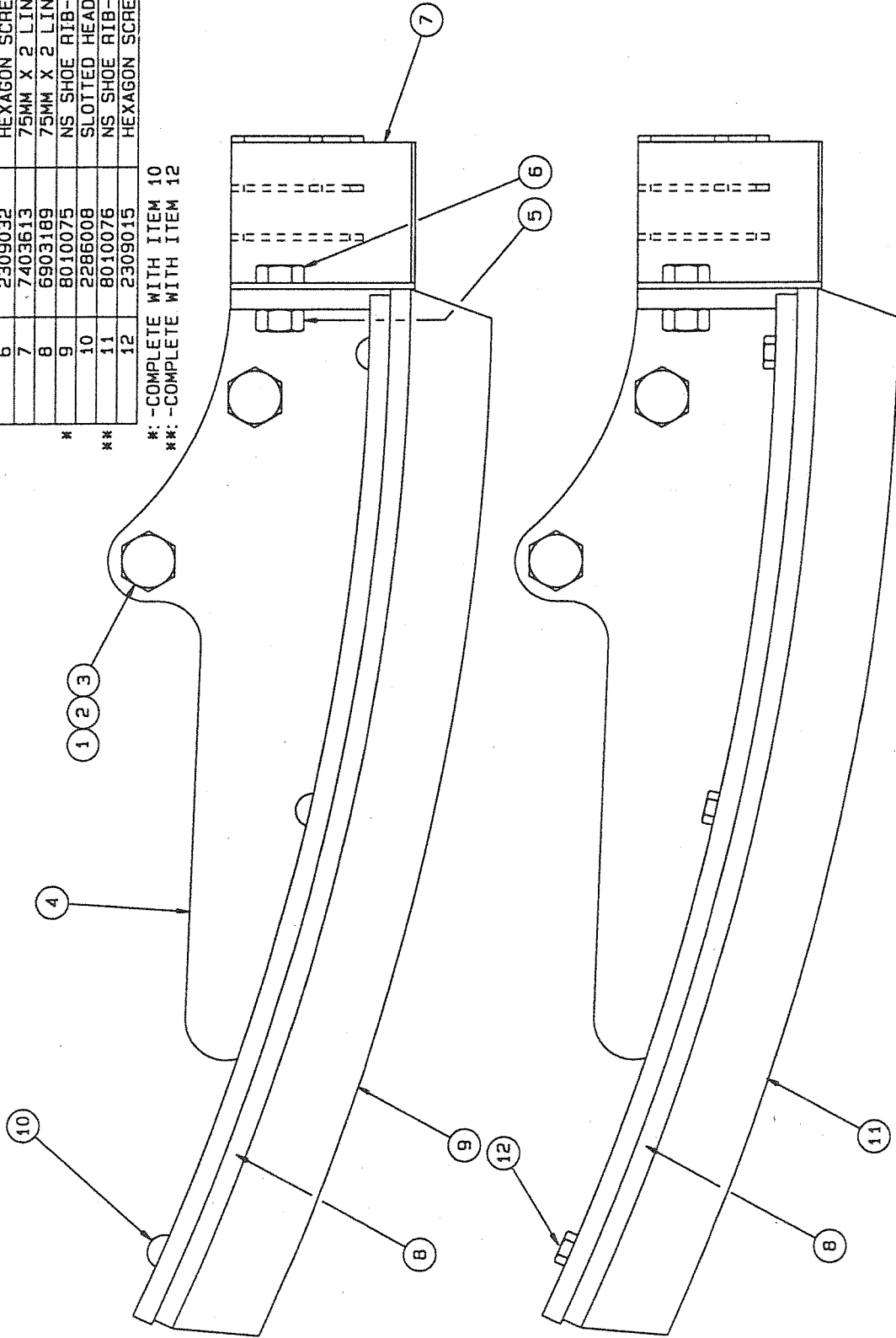


SINGLE LINE HYALINE NON-STICK COULTER-CAST IRON

1	2306038	HEXAGON BOLT	2
2	2303007	HEXAGON NUT	2
3	6902652	COULTER SCREW SPACER	2
4	7403664	75MM NS COULTER BODY	1
5	2303006	HEXAGON NUT	2
6	2309032	HEXAGON SCREW	2
7	7403613	75MM X 2 LINE CHUTE	1
8	6903189	75MM X 2 LINE NS BASE	1
9	8010075	NS SHOE RIB-PLASTIC	2
10	2286008	SLOTTED HEAD SCREW	6
11	8010076	NS SHOE RIB-CAST IRON	2
12	2309015	HEXAGON SCREW	6

\*: -COMPLETE WITH ITEM 10

\*\*:-COMPLETE WITH ITEM 12

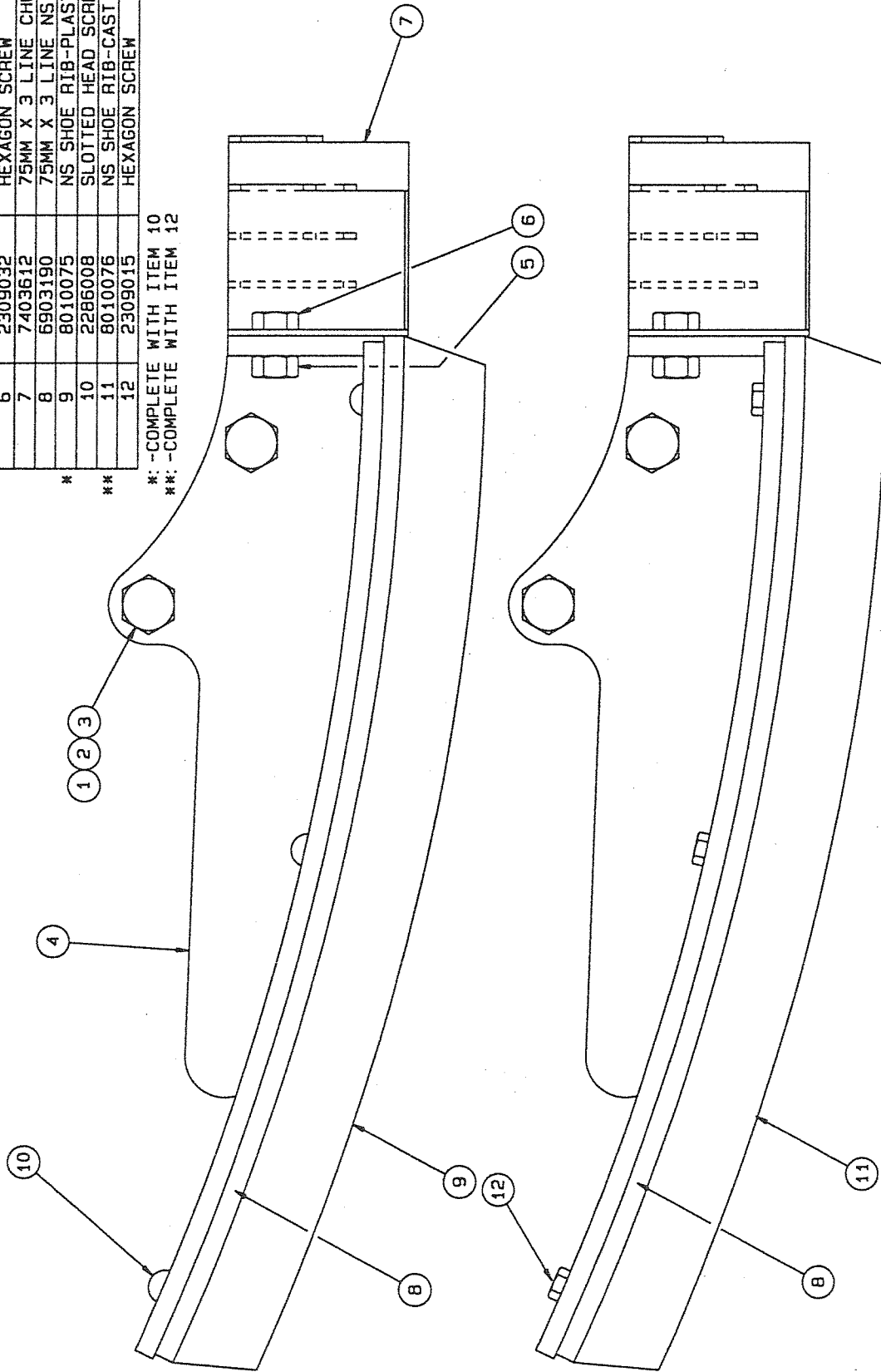


ASSEMBLIES: -  
 7703510 75MM X 2 LINE NON-STICK COULTER-PLASTIC (ITEMS 1-10)  
 7703511 75MM X 2 LINE NON-STICK COULTER-CAST (ITEMS 1-8, 11, 12)

TWO LINE LOLINE NON-STICK COULTER

1	2306038	HEXAGON BOLT	2
2	2303007	HEXAGON NUT	2
3	6902652	COULTER SCREW SPACER	2
4	7403664	75MM NS COULTER BODY	1
5	2303006	HEXAGON NUT	2
6	2309032	HEXAGON SCREW	2
7	7403612	75MM X 3 LINE CHUTE	1
8	6903190	75MM X 3 LINE NS BASE	1
9	8010075	NS SHOE RIB-PLASTIC	3
10	2286008	SLOTTED HEAD SCREW	9
11	8010076	NS SHOE RIB-CAST IRON	3
12	2309015	HEXAGON SCREW	9

\*: -COMPLETE WITH ITEM 10  
 \*\*: -COMPLETE WITH ITEM 12



ASSEMBLIES: -  
 7703512 75MM X 3 LINE NON-STICK COULTER-PLASTIC (ITEMS 1-10)  
 7703513 75MM X 3 LINE NON-STICK COULTER-CAST (ITEMS 1-8, 11, 12)

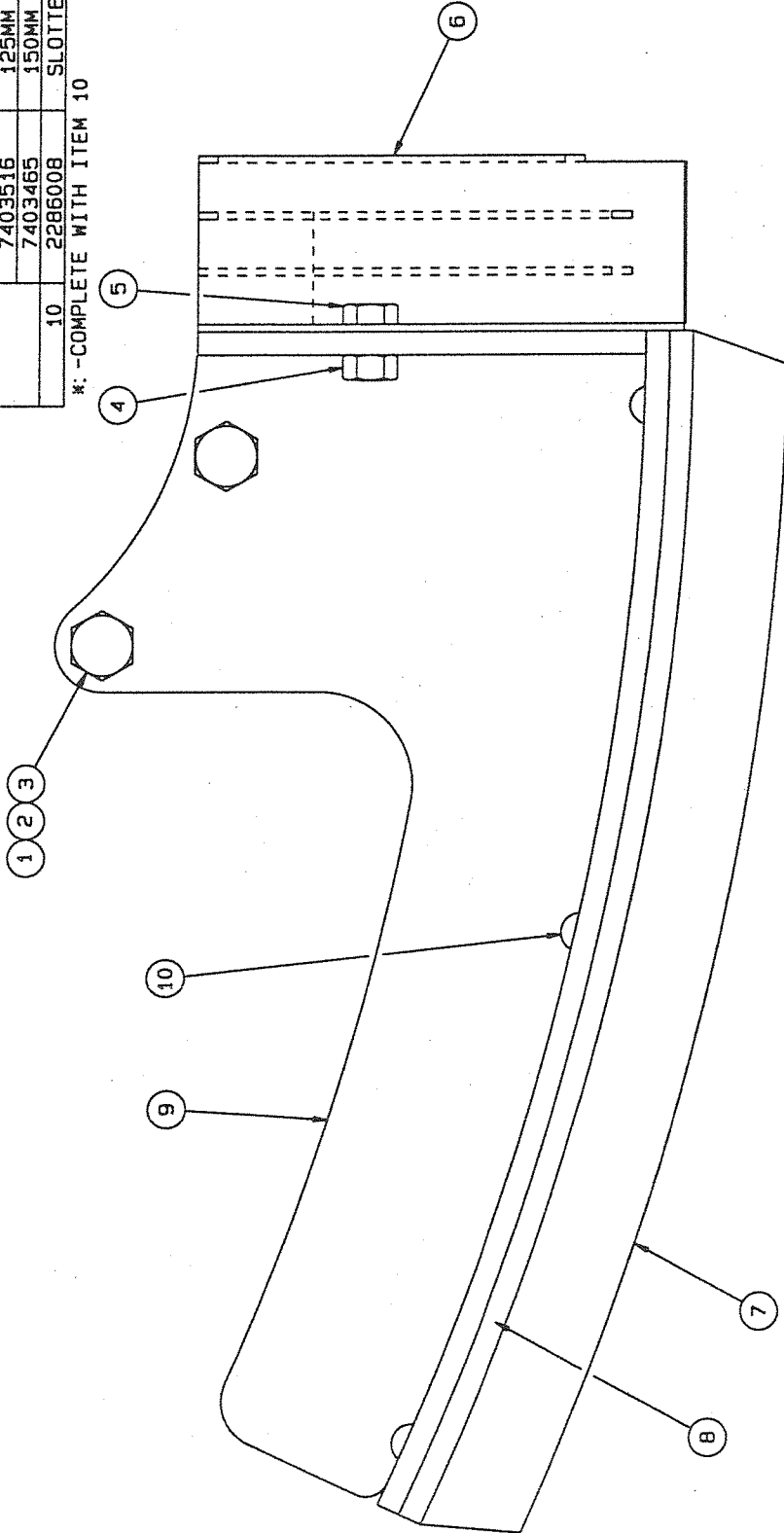
THREE LINE LOLINE NON-STICK COULTER

ASSEMBLIES: -

- 7703308 65MM X 2 LINE NON STICK COULTER ASSEMBLY (ITEMS 1-10)
- 7703310 75MM X 2 LINE NON STICK COULTER ASSEMBLY (ITEMS 1-10)
- 7703312 100MM X 2 LINE NON STICK COULTER ASSEMBLY (ITEMS 1-10)
- 7703377 125MM X 2 LINE NON STICK COULTER ASSEMBLY (ITEMS 1-10)
- 7703314 150MM X 2 LINE NON STICK COULTER ASSEMBLY (ITEMS 1-10)

1	2306038	HEXAGON BOLT	2
2	2303007	HEXAGON NUT	2
3	6902652	COULTER SCREW SPACER	2
4	2303006	HEXAGON NUT	2
5	2309032	HEXAGON SCREW	2
6	7403420	65MM X 2 LINE CHUTE	1
	7403418	75MM X 2 LINE CHUTE	1
	7403414	100MM X 2 LINE CHUTE	1
	7403513	125MM X 2 LINE CHUTE	1
	7403469	150MM X 2 LINE CHUTE	1
7	8010075	NS SHOE RIB-PLASTIC	2
8	6903187	65MM X 2 LINE NS BASE	1
	6903189	75MM X 2 LINE NS BASE	1
	6903191	100MM X 2 LINE NS BASE	1
	6903192	125MM X 2 LINE NS BASE	1
	6903194	150MM X 2 LINE NS BASE	1
9	7403462	65MM NS COULTER BODY	1
	7403463	75MM NS COULTER BODY	1
	7403464	100MM NS COULTER BODY	1
	7403516	125MM NS COULTER BODY	1
	7403465	150MM NS COULTER BODY	1
10	2286008	SLOTTED HEAD SCREW	6

\*: -COMPLETE WITH ITEM 10



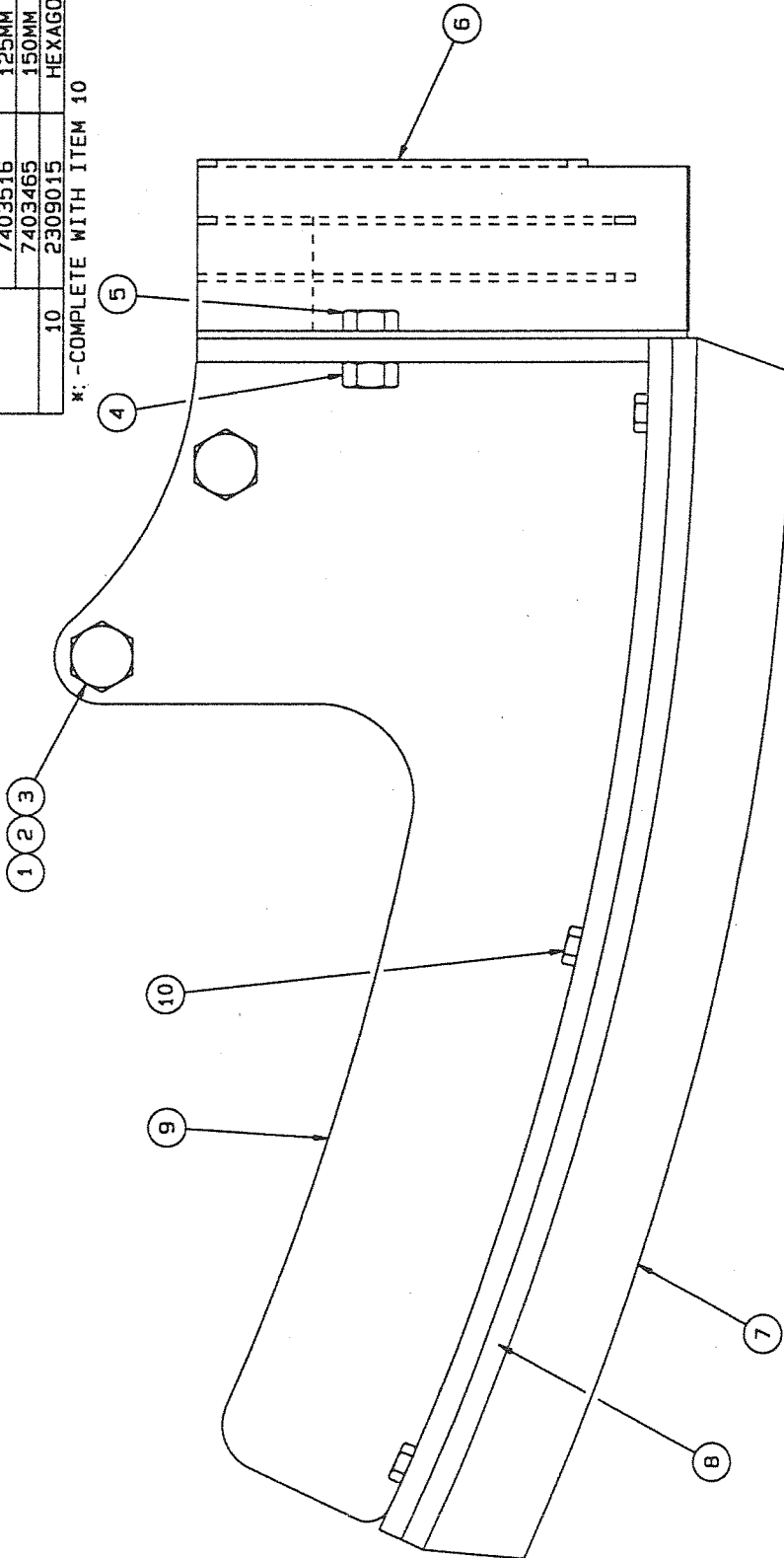
TWO LINE HYLINE NON-STICK COULTER-PLASTIC

ASSEMBLIES: --

- 7703514 65MM X 2 LINE NON STICK COULTER ASSEMBLY (ITEMS 1-10)
- 7703516 75MM X 2 LINE NON STICK COULTER ASSEMBLY (ITEMS 1-10)
- 7703518 100MM X 2 LINE NON STICK COULTER ASSEMBLY (ITEMS 1-10)
- 7703520 125MM X 2 LINE NON STICK COULTER ASSEMBLY (ITEMS 1-10)
- 7703522 150MM X 2 LINE NON STICK COULTER ASSEMBLY (ITEMS 1-10)

1	2306038	HEXAGON BOLT	2
2	2303007	HEXAGON NUT	2
3	6902652	COULTER SCREW SPACER	2
4	2303006	HEXAGON NUT	2
5	2309032	HEXAGON SCREW	2
6	7403420	65MM X 2 LINE CHUTE	1
	7403418	75MM X 2 LINE CHUTE	1
	7403414	100MM X 2 LINE CHUTE	1
	7403513	125MM X 2 LINE CHUTE	1
	7403469	150MM X 2 LINE CHUTE	1
7	8010076	NS SHOE RIB-CAST IRON	2
8	6903187	65MM X 2 LINE NS BASE	1
	6903189	75MM X 2 LINE NS BASE	1
	6903191	100MM X 2 LINE NS BASE	1
	6903192	125MM X 2 LINE NS BASE	1
	6903194	150MM X 2 LINE NS BASE	1
9	7403462	65MM NS COULTER BODY	1
	7403463	75MM NS COULTER BODY	1
	7403464	100MM NS COULTER BODY	1
	7403516	125MM NS COULTER BODY	1
	7403465	150MM NS COULTER BODY	1
10	2309015	HEXAGON SCREW	6

\*: -COMPLETE WITH ITEM 10



TWO LINE HYLINE NON-STICK COULTER-CAST IRON

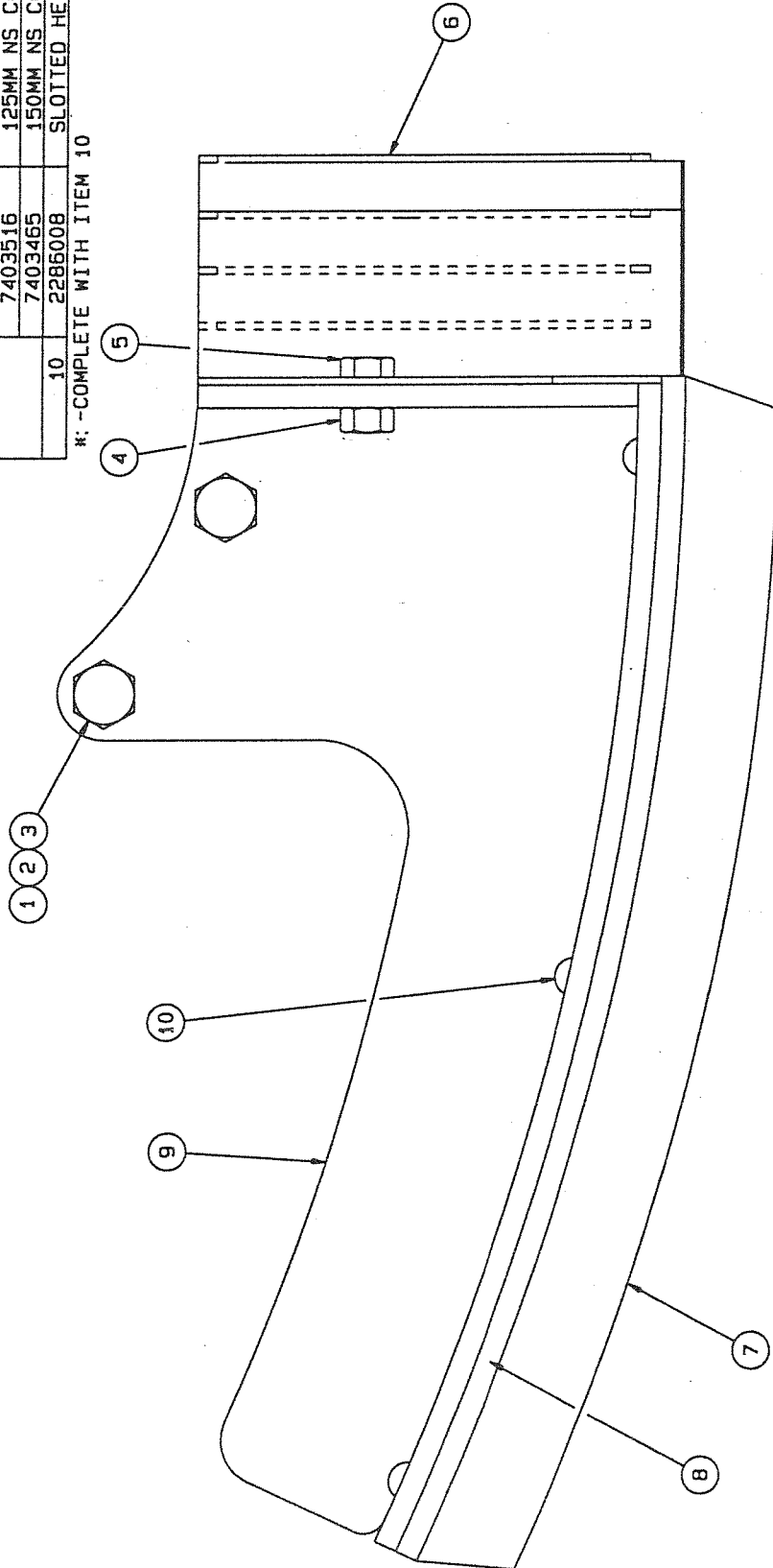
ASSEMBLIES: -

- 7703309 65MM X 3 LINE NON STICK COULTER ASSEMBLY (ITEMS 1-10).
- 7703311 75MM X 3 LINE NON STICK COULTER ASSEMBLY (ITEMS 1-10)
- 7703715 100MM X 3 LINE NON STICK COULTER ASSEMBLY (ITEMS 1-10)
- 7703379 125MM X 3 LINE NON STICK COULTER ASSEMBLY (ITEMS 1-10)
- 7703315 150MM X 3 LINE NON STICK COULTER ASSEMBLY (ITEMS 1-10)

\*\*:- ORIGINAL VERSION OF THE 100MM X 3 LINE COULTER WAS 140MM WIDE.  
 THE CURRENT VERSION IS 120MM WIDE.  
 FOR THE 140MM WIDE BASE ORDER 6903166.

1	2305038	HEXAGON BOLT	2
2	2303007	HEXAGON NUT	2
3	6902652	COULTER SCREW SPACER	2
4	2303006	HEXAGON NUT	2
5	2309032	HEXAGON SCREW	2
6	7403419	65MM X 3 LINE CHUTE	1
	7403417	75MM X 3 LINE CHUTE	1
	7403413	100MM X 3 LINE CHUTE	1
	7403514	125MM X 3 LINE CHUTE	1
	7403428	150MM X 3 LINE CHUTE	1
7	8010075	NS SHOE RIB-PLASTIC	3
8	6903188	65MM X 3 LINE NS BASE	1
	6903190	75MM X 3 LINE NS BASE	1
	6903548	100MM X 3 LINE NS BASE	1
	6903193	125MM X 3 LINE NS BASE	1
	6903195	150MM X 3 LINE NS BASE	1
9	7403462	65MM NS COULTER BODY	1
	7403463	75MM NS COULTER BODY	1
	7403897	100MM NS COULTER BODY	1
	7403516	125MM NS COULTER BODY	1
	7403465	150MM NS COULTER BODY	1
10	2286008	SLOTTED HEAD SCREW	9

\*: -COMPLETE WITH ITEM 10



THREE LINE HYLINE NON-STICK COULTER-PLASTIC



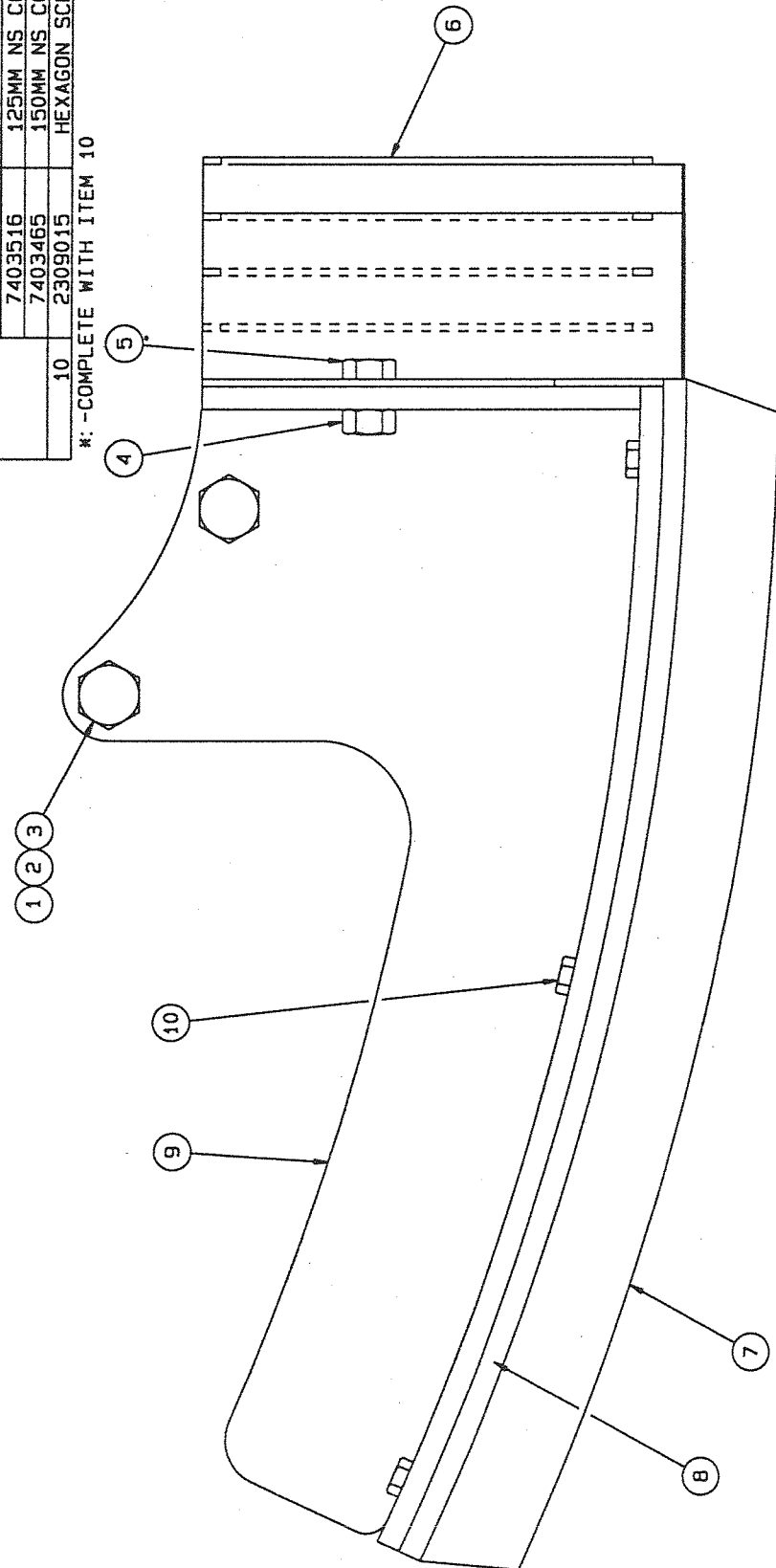
ASSEMBLIES: -

- 7703515 65MM X 3 LINE NON STICK COULTER ASSEMBLY (ITEMS 1-10)
- 7703517 75MM X 3 LINE NON STICK COULTER ASSEMBLY (ITEMS 1-10)
- 7703917 100MM X 3 LINE NON STICK COULTER ASSEMBLY (ITEMS 1-10)
- 7703521 125MM X 3 LINE NON STICK COULTER ASSEMBLY (ITEMS 1-10)
- 7703523 150MM X 3 LINE NON STICK COULTER ASSEMBLY (ITEMS 1-10)







\*\*:- ORIGINAL VERSION OF THE 100MM X 3LINE COULTER WAS 140MM WIDE.  
 THE CURRENT VERSION IS 120MM WIDE.  
 FOR THE 140MM WIDE BASE ORDER 6903166.

1	2306038	HEXAGON BOLT	2
2	2303007	HEXAGON NUT	2
3	6902652	COULTER SCREW SPACER	2
4	2303006	HEXAGON NUT	2
5	2309032	HEXAGON SCREW	2
6	7403419	65MM X 3 LINE CHUTE	1
	7403417	75MM X 3 LINE CHUTE	1
	7403413	100MM X 3 LINE CHUTE	1
	7403514	125MM X 3 LINE CHUTE	1
	7403428	150MM X 3 LINE CHUTE	1
7	8010076	NS SHOE RIB-CAST IRON	3
8	6903188	65MM X 3 LINE NS BASE	1
	6903190	75MM X 3 LINE NS BASE	1
	6903548	100MM X 3 LINE NS BASE	1
	6903193	125MM X 3 LINE NS BASE	1
	6903195	150MM X 3 LINE NS BASE	1
9	7403462	65MM NS COULTER BODY	1
	7403463	75MM NS COULTER BODY	1
	7403897	100MM NS COULTER BODY	1
	7403516	125MM NS COULTER BODY	1
	7403465	150MM NS COULTER BODY	1
10	2309015	HEXAGON SCREW	9

\*: -COMPLETE WITH ITEM 10

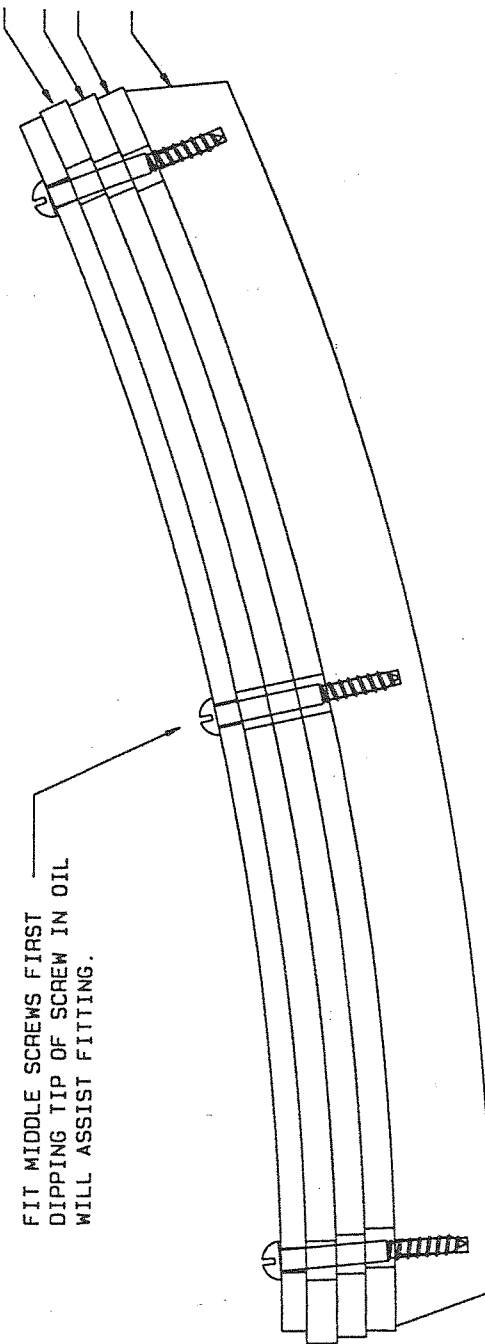


THREE LINE HYLINE NON-STICK COULTER-CAST IRON

- |         |   |  |
|---------|---|--|
| PLASTIC |  | 2286008 1 INCH X NO.8 ROUND HEAD SCREW -USE WITH NO PACKERS      |
| CAST    |  | 2309015 M4 X 16 SET SCREW  |
| PLASTIC |  | 2286009 1.1/4 INCH X NO.8 ROUND HEAD SCREW -USE WITH ONE PACKER  |
| CAST    |  | 2309017 M4 X 25 SET SCREW  |
| PLASTIC |  | 2286010 1.1/2 INCH X NO.8 ROUND HEAD SCREW -USE WITH TWO PACKERS |
| CAST    |  | 2309018 M4 X 30 SET SCREW  |

FIT MIDDLE SCREWS FIRST  
DIPPING TIP OF SCREW IN OIL  
WILL ASSIST FITTING.

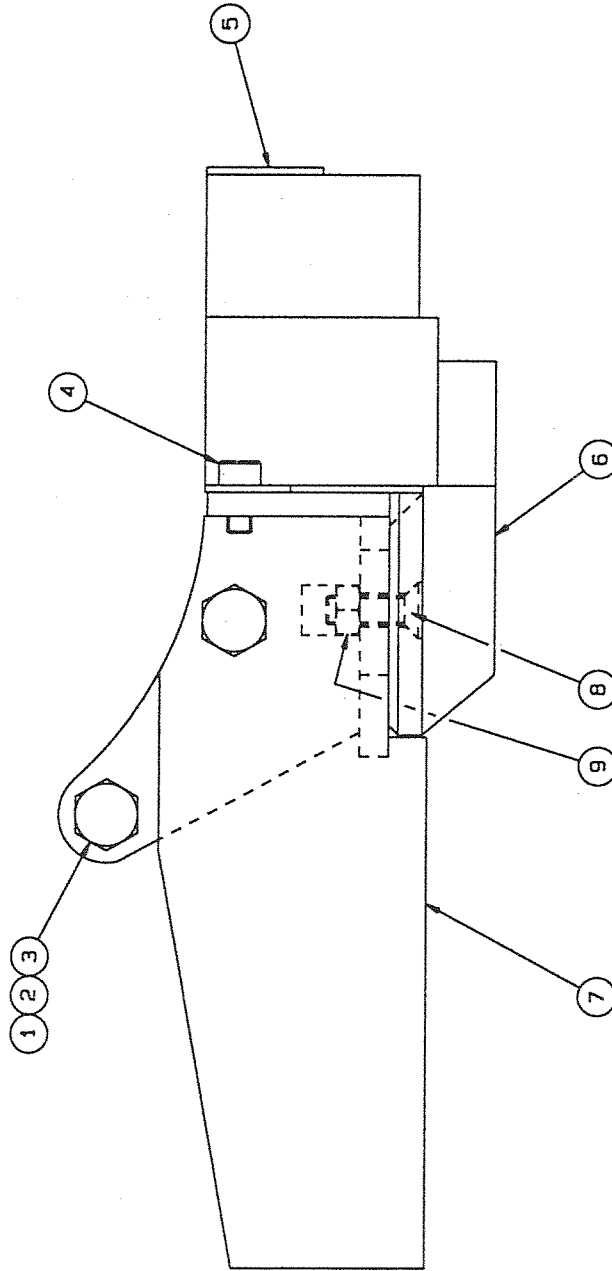
SHOE BASE  
PACKER PART NO.6903239  
SECOND PACKER  
RIB PART NO.6903165-PLASTIC  
3000705-CAST



COULTER RIB PACKERS

1	2306038	HEXAGON BOLT	2
2	2303007	HEXAGON NUT	2
3	6902652	COULTER SCREW SPACER	2
4	2375035	SOCKET CAP SCREW	2
5	7402997	SEED CHUTE	1
6	8010048	65MM X 2 LINE BASE	1
7	8010049	65MM X 3 LINE BASE	1
8	7403073	65MM COULTER BODY	1
9	2376046	SOCKET C'SUNK SCREW	2
	2303006	HEXAGON NUT	2

\*: -COMPLETE WITH ITEMS 8, 9



ASSEMBLIES: -  
 7702963 65MM X 2 LINE SHALLOW FIN COULTER ASSEMBLY (ITEMS 1-9)  
 7702964 65MM X 3 LINE SHALLOW FIN COULTER ASSEMBLY (ITEMS 1-9)

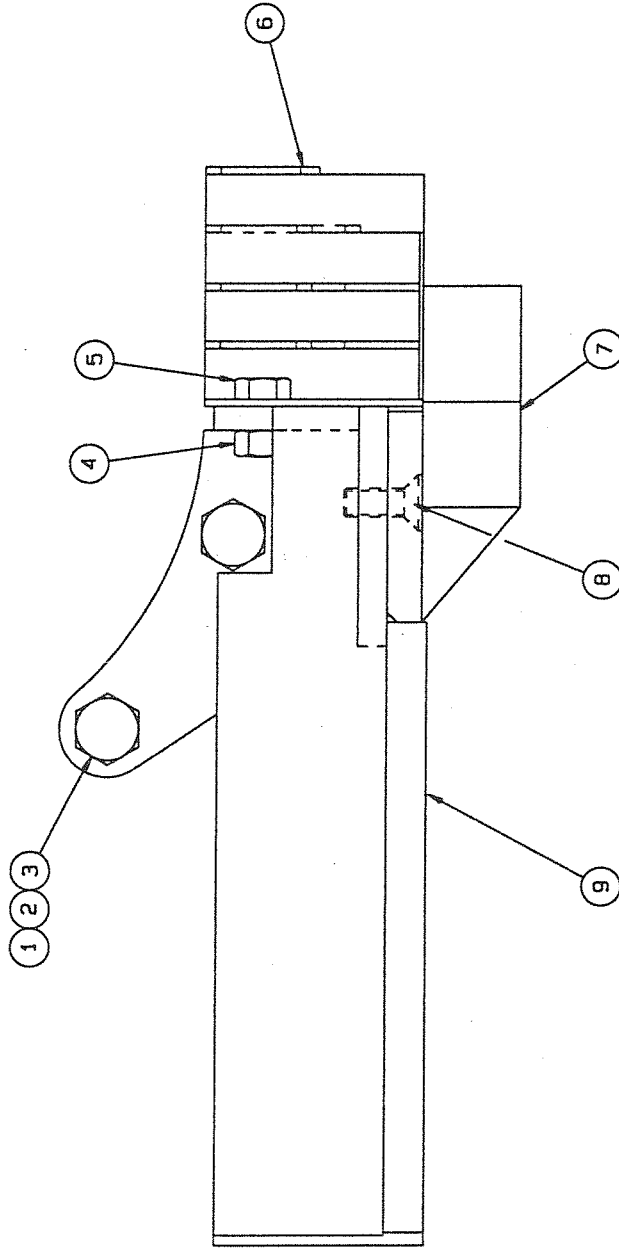
### 65MM LOLINE SHALLOW FIN COULTERS

1	2305038	HEXAGON BOLT	2
2	2303007	HEXAGON NUT	2
3	6902652	COULTER SCREW SPACER	2
4	2303006	HEXAGON NUT	2
5	2309032	HEXAGON SCREW	2
6	7403613	75MM X 2 LINE CHUTE	1
	7403612	75MM X 3 LINE CHUTE	1
7	8010073	75MM X 2 LINE BASE	1
	8010074	75MM X 3 LINE BASE	1
8	2376046	SOCKET C'SUNK SCREW	2
9	7403611	75MM COULTER BODY-LL	1

\* \*

\* \*

\*: -COMPLETE WITH ITEM 8



ASSEMBLIES: -  
 7703432 75MM X 2 LINE SHALLOW FIN COULTER ASSEMBLY (ITEMS 1-9)  
 7703433 75MM X 3 LINE SHALLOW FIN COULTER ASSEMBLY (ITEMS 1-9)

75MM LOLINE SHALLOW FIN COULTERS

ASSEMBLIES: -

- 7703271 65MM X 2 LINE SHALLOW FIN COULTER ASSEMBLY (ITEMS 1-9)
- 7703272 65MM X 3 LINE SHALLOW FIN COULTER ASSEMBLY (ITEMS 1-9)
- 7703384 75MM X 2 LINE SHALLOW FIN COULTER ASSEMBLY (ITEMS 1-9)
- 7703387 75MM X 3 LINE SHALLOW FIN COULTER ASSEMBLY (ITEMS 1-9)
- 7703214 100MM X 3 LINE SHALLOW FIN COULTER ASSEMBLY (ITEMS 1-7, 9, 10, 11)

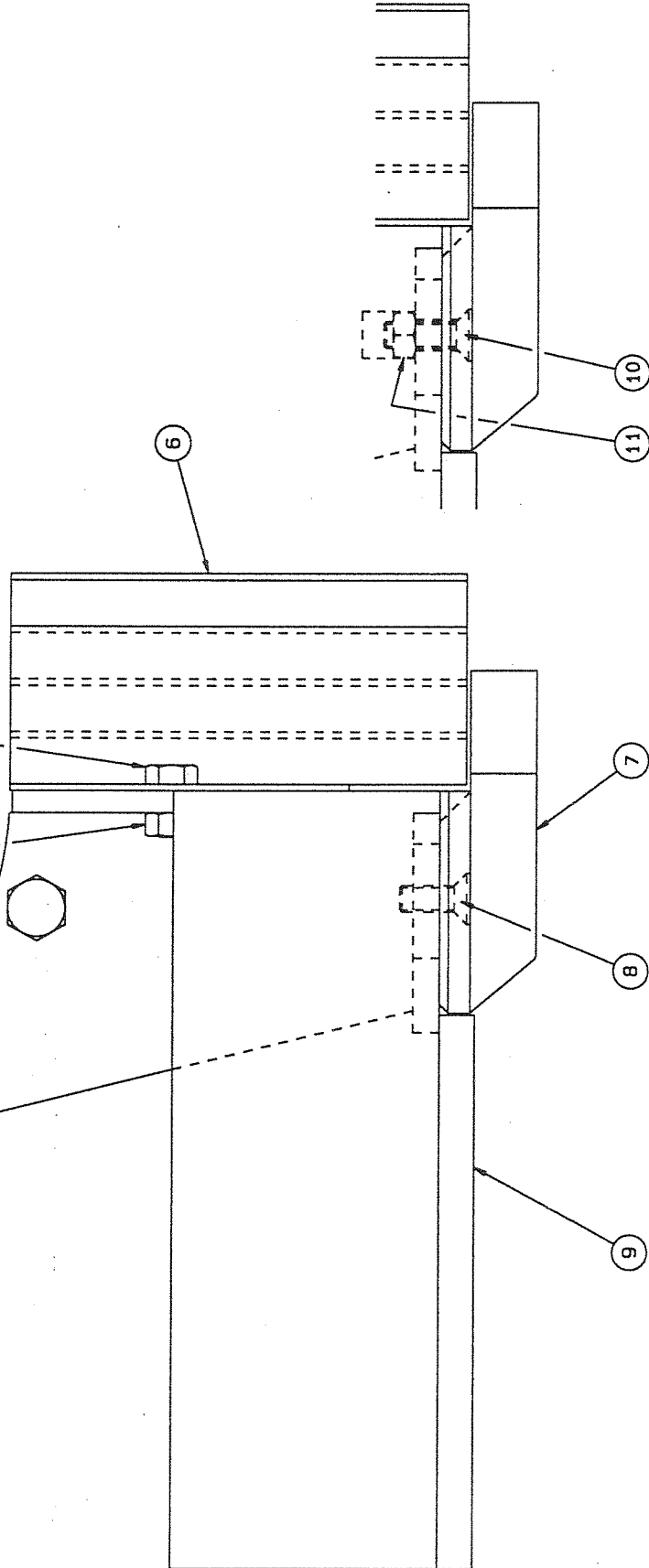
\* \* \*  
\* \* \*  
\* \* \*  
\* \* \*



1	2306038	HEXAGON BOLT	2
2	2303007	HEXAGON NUT	2
3	6902652	COULTER SCREW SPACER	2
4	2303006	HEXAGON NUT	2
5	2309032	HEXAGON SCREW	2
6	7403420	65MM X 2 LINE CHUTE	1
	7403419	65MM X 3 LINE CHUTE	1
	7403418	75MM X 2 LINE CHUTE	1
	7403417	75MM X 3 LINE CHUTE	1
	7403415	100MM X 3 LINE CHUTE	1
7	8010048	65MM X 2 LINE BASE	1
	8010049	65MM X 3 LINE BASE	1
	8010073	75MM X 2 LINE BASE	1
	8010074	75MM X 3 LINE BASE	1
	8010050	100MM X 3 LINE BASE	1
8	2376046	SOCKET C'SUNK SCREW	2
9	7403422	65MM COULTER BODY	1
	7403521	75MM COULTER BODY	1
	7403346	100MM COULTER BODY	1
10	2376047	SOCKET C'SUNK SCREW	2
11	2303006	HEXAGON NUT	2

\*: -COMPLETE WITH ITEM 8

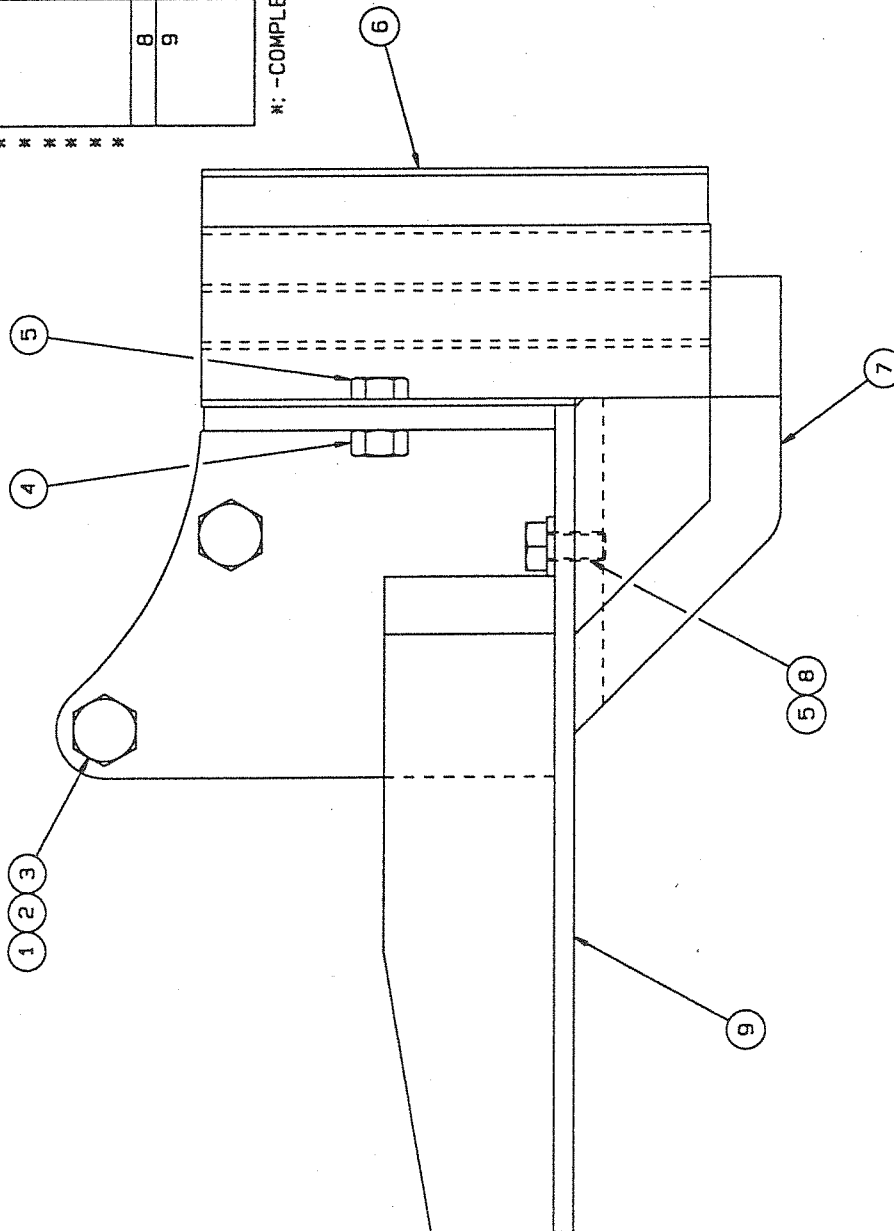
\*\*:-COMPLETE WITH ITEMS 10, 11



HYLINE SHALLOW FIN COULTERS

ASSEMBLIES: -

- 7703263 75MM X 2 LINE DEEP FIN COULTER ASSEMBLY (ITEMS 1-9)
- 7703264 75MM X 3 LINE DEEP FIN COULTER ASSEMBLY (ITEMS 1-9)
- 7703267 100MM X 2 LINE DEEP FIN COULTER ASSEMBLY (ITEMS 1-9)
- 7703213 100MM X 3 LINE DEEP FIN COULTER ASSEMBLY (ITEMS 1-9)
- 7703381 125MM X 2 LINE DEEP FIN COULTER ASSEMBLY (ITEMS 1-9)
- 7703382 125MM X 3 LINE DEEP FIN COULTER ASSEMBLY (ITEMS 1-9)
- 7703216 150MM X 3 LINE DEEP FIN COULTER ASSEMBLY (ITEMS 1-9)

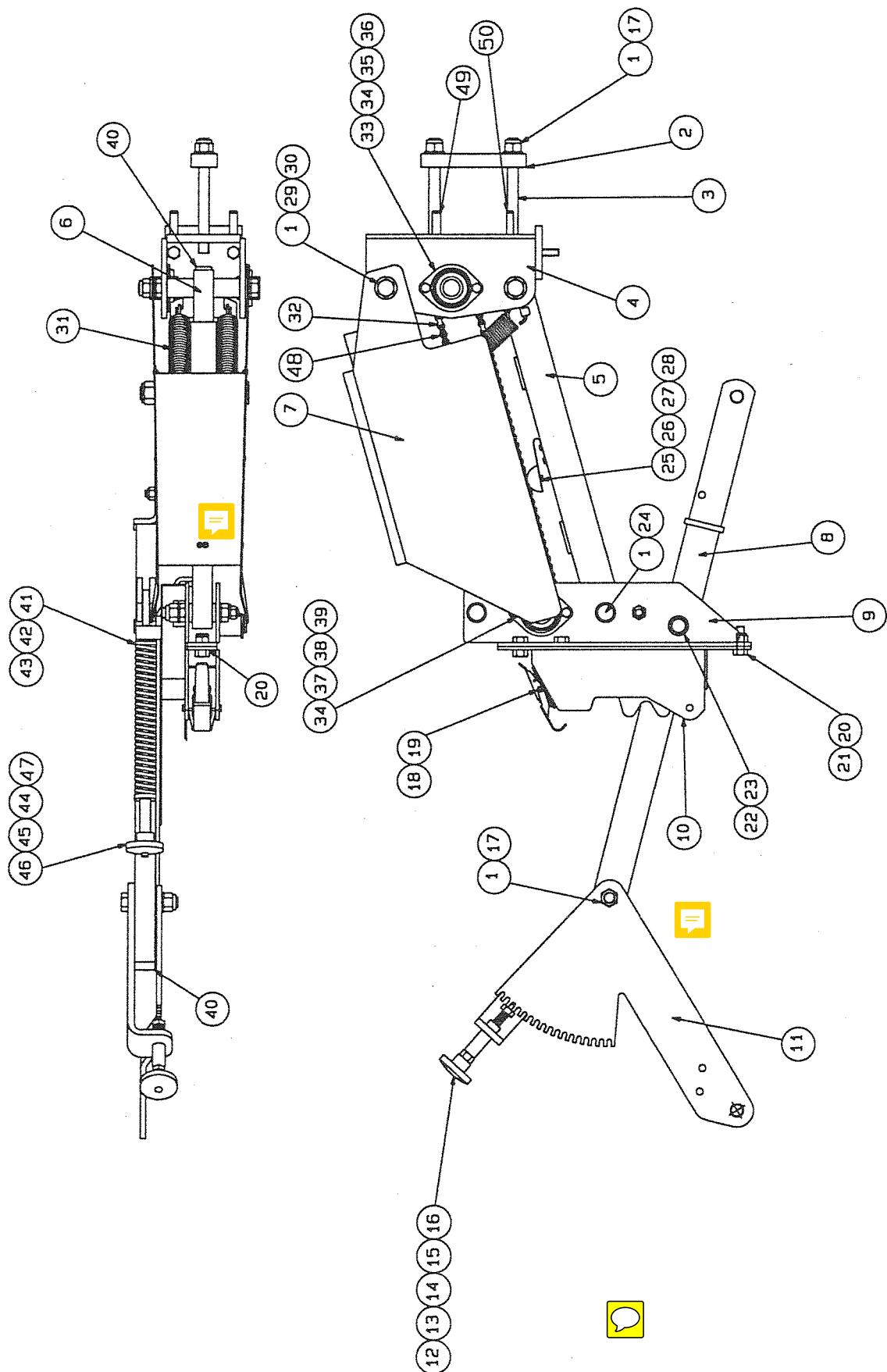


1	2306038	HEXAGON BOLT	2
2	2303007	HEXAGON NUT	2
3	6902652	COULTER SCREW SPACER	2
4	2303006	HEXAGON NUT	2
5	2309032	HEXAGON SCREW	2
6	7403418	75MM X 2 LINE CHUTE	1
	7403417	75MM X 3 LINE CHUTE	1
	7403414	100MM X 2 LINE CHUTE	1
	7403413	100MM X 3 LINE CHUTE	1
	7403513	125MM X 2 LINE CHUTE	1
	7403514	125MM X 3 LINE CHUTE	1
	7403428	150MM X 3 LINE CHUTE	1
7	8010063	75MM X 2 LINE BASE	1
	8010062	75MM X 3 LINE BASE	1
	8010055	100MM X 2 LINE BASE	1
	8010054	100MM X 3 LINE BASE	1
	8010057	125MM X 2 LINE BASE	1
	8010056	125MM X 3 LINE BASE	1
	8010067	150MM X 3 LINE BASE	1
8	2311133	FLAT WASHER-FORM C	2
9	7403421	75MM COULTER BODY	1
	7403344	100MM COULTER BODY	1
	7403515	125MM COULTER BODY	1
	7403350	150MM COULTER BODY	1

\*: -COMPLETE WITH ITEMS 5 & 8

\* \* \* \* \*

HYLINE DEEP FIN COULTERS

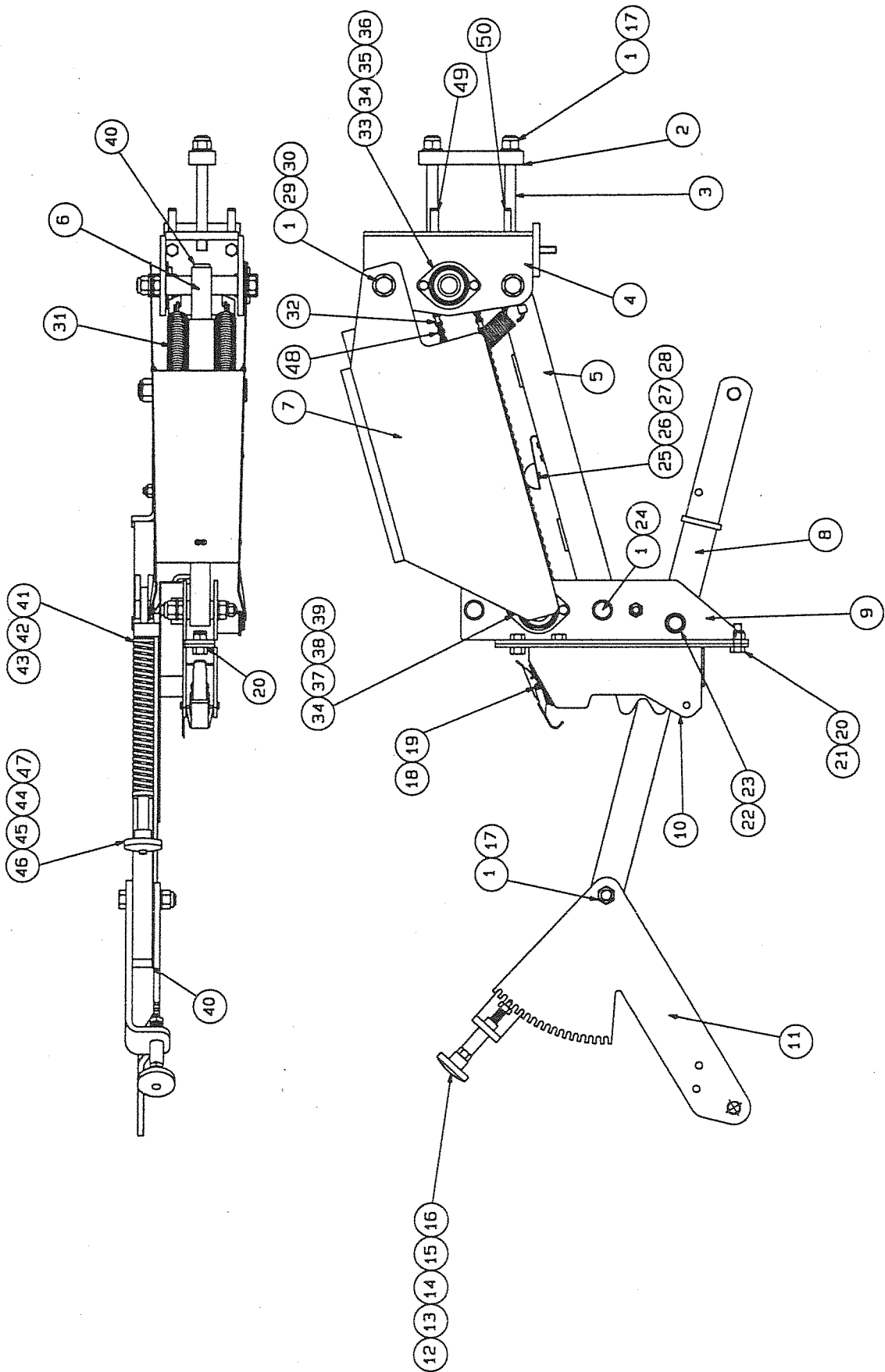


STAR ROW UNIT

## STAR-ROW UNIT

Item No:	Part No:	Description:	
1	2303129	Philidas Nut	2
	6903077	Clasp Plate (100x100, 200x100 toolbar)	
	6904151	Clasp Plate (180mm toolbar)	
3	6903980	RU Stud (100x100 toolbar)	
	6904150	RU Stud (180 toolbar)	
	6904115	RU Stud (200x100 toolbar)	
4	7704357	RU Headstock	
5	7703923	Lower link Assy	
6	7703922	Upper link Assy	
7	7703979	Top Chain Guard	
8	7404803	Wheel Arm 210 #	
9	7703924	Unit Mtg. Bracket	
10	7404404	Star Unit Mtg Bracket	
11	6904542	Depth Adjustment Plate #	
12	6404035	Knob	
13	2303009	Nut	
14	2701073	Depth Adjustment Spring	
15	7404727	½ Depth Adjustment Bolt	
	7703977	Depth Adjustment Bolt (pre 2004)	
16	6401005	Grease Nipple	
17	2311092	Washer	
18	6903246	Toggle Clip	
19	2309021	Set Screw	
20	2309077	Bolt	
21	2303110	Nyloc (Thin) Nut	
22	2217039	External Circlip	
23	2311093	Flat Washer	
24	2306135	Bolt	
25	6902369	Rubbing Block	
26	2704008	Chain Tensioner Spring	
27	2309022	Set Screw	
28	2309013	Set Screw	
29	2306143	Bolt	
30	2311137	Flat Washer	
31	2702045	Penetration Spring	
32	1807108	½" Pitch 95 Chain	
33	1905006	Bearing	
34	2303092	Nyloc Nut	
35	2306464	Coach Bolt	
36	7404048	16 Tooth Shaft Sprocket	
37	1905025	Bearing	
38	2306463	Coach Bolt	
39	7404049	16 Tooth Inter Sprocket	
40	6402044	Plastic Insert	
41	2810068	Spring End Collar	
42	6903905	Spring Rod	
43	2701072	Rear Pressure Spring	





STAR ROW UNIT

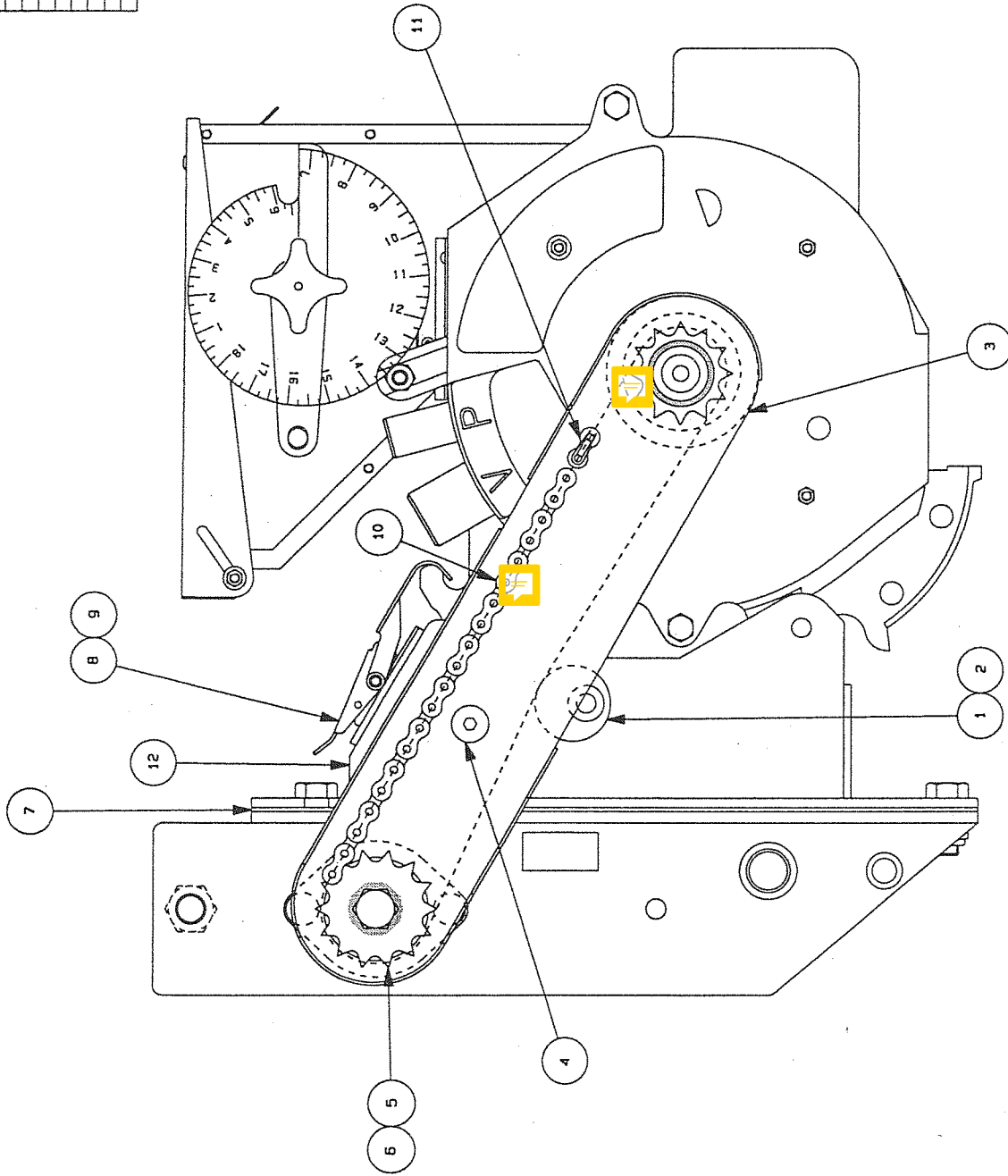
44	2810067	Spring Guide Collar
45	6903904	Spring Spacer
46	6404034	Knob
47	2215049	Spirol Pin
48	1807101	Connecting Link
49	2215140	Spirol Pin -large
50	2215122	Spirol Pin -small

(# Prior to 2004- Wheel Arm 7404613)

(# Prior to 2004- Depth Adjustment Plate 6903903)

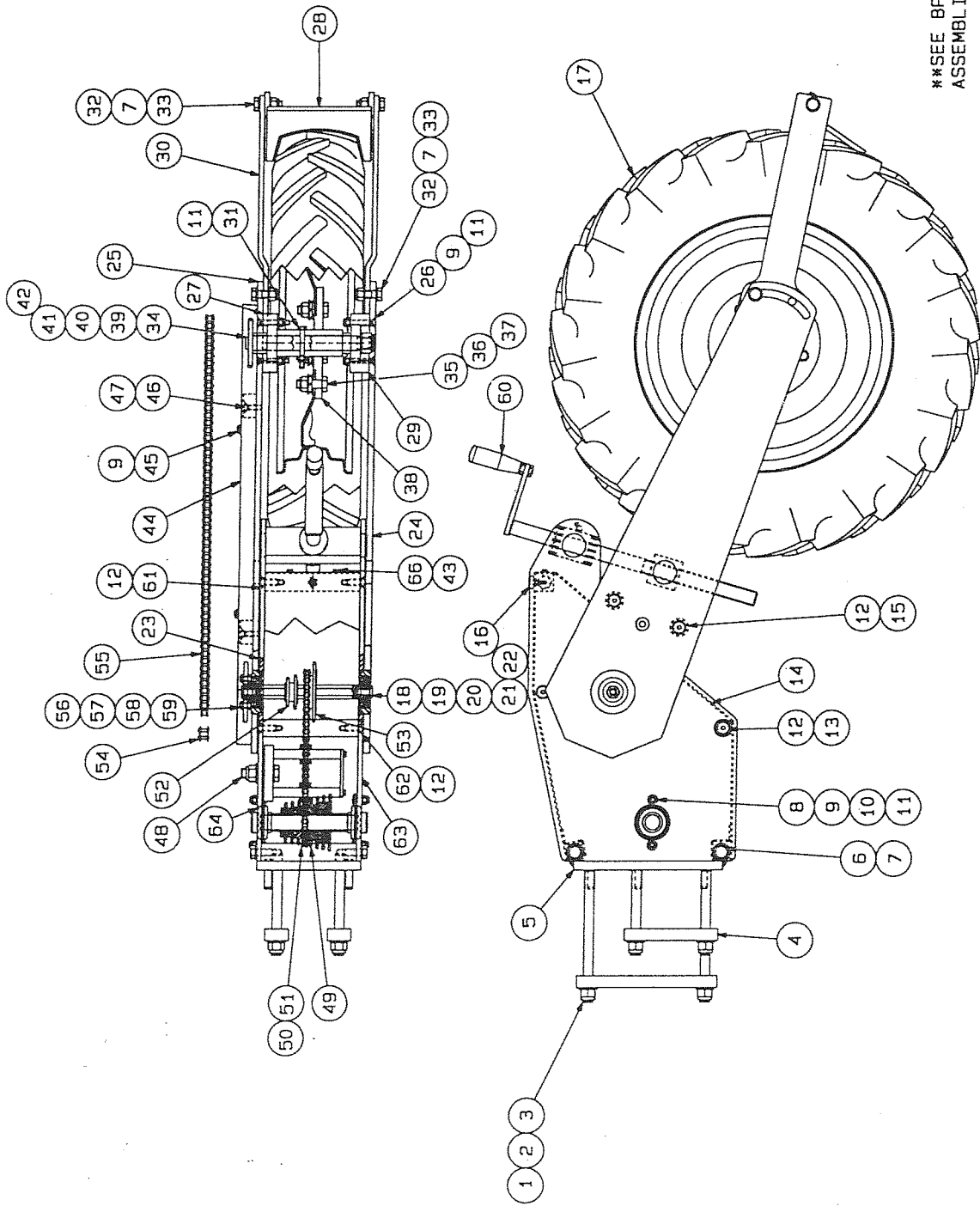
ITEM	PART NO.	DESCRIPTION
1	6904094	CHAIN TENSIONER
2	2377104	BUTTON HEAD SCREW
3	7404405	DRIVE GUARD
4	2377109	BUTTON HEAD SCREW
5	7404486	14T INTERMEDIATE SPROCKET
6	7404402	11T INTERMEDIATE SPROCKET
7	2317004	SPRINGFIX CLIP
8	6903246	TOGGLE CLIP
9	2309021	SET SCREW
10	1807141	CHAIN -53 PITCH
11	1807101	CON. LINK

HKKITS#W  
 8003844 STAR DRIVE KIT 14T-12T  
 8003712 STAR DRIVE KIT 11T-15T



FINAL DRIVE

BLANK PAGE



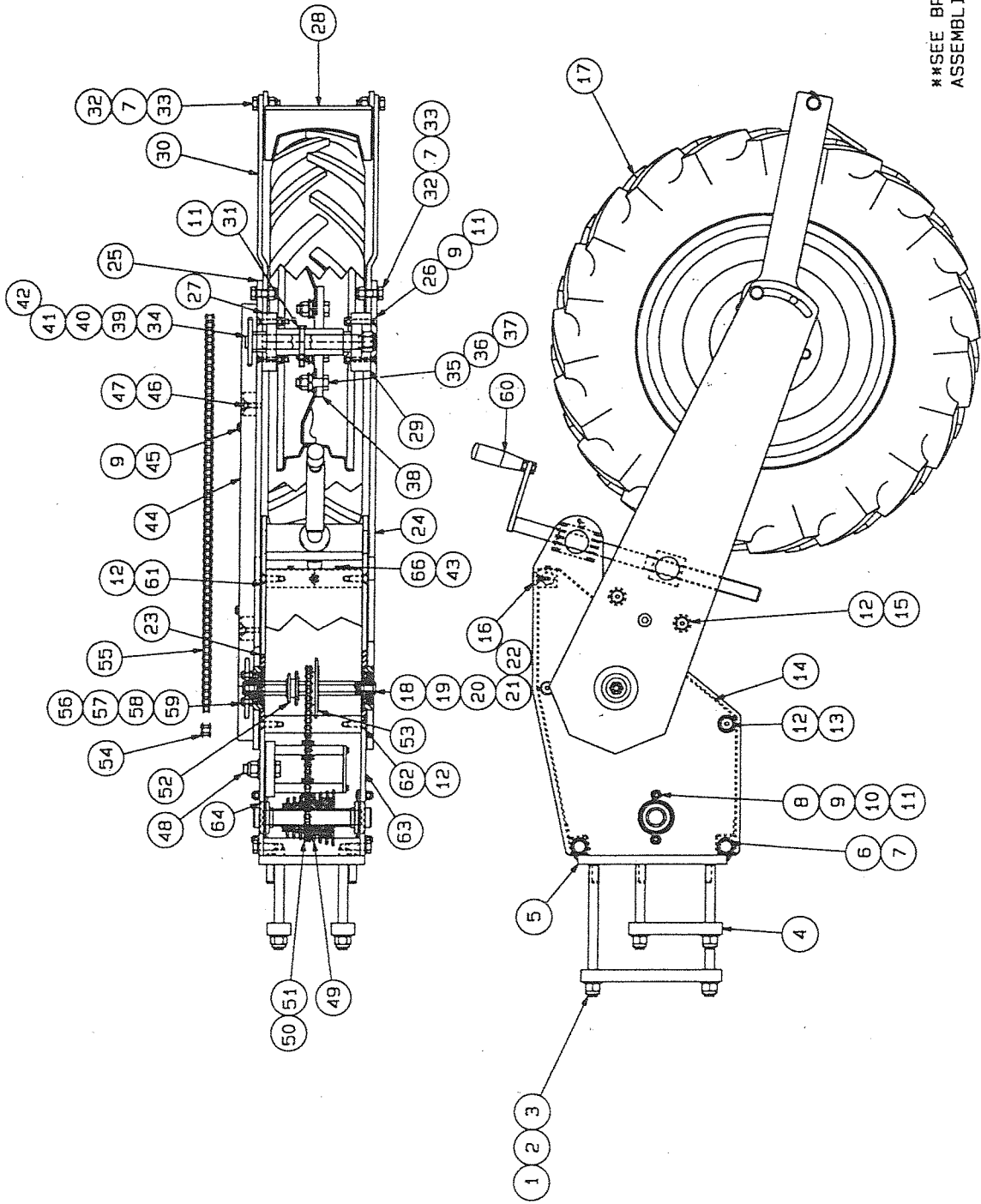
\*\*SEE BREAKDOWN OF PARTS AND ASSEMBLIES ON FOLLOWING PAGES

STAR ADJUSTABLE CHAIN LAND DRIVE WHEELS

## STAR -LAND WHEEL

Item no:	Part no:	Description:
1	6904150	Gear box stud (180mm toolbar)
	6903980	Gear box stud (100mm toolbar)
	6904115	Gear box stud (200 x 100mm toolbar)
2	2303095	Nyloc nut
3	2311092	Flat washer
4	6904151	Clasp plate (180mm toolbar)
	6903077	Clasp plate (100mm and 100 x 200mm toolbar)
5	7704241	Gear box front plate assy. (180mm toolbar)
	7704239	Gear box front plate assy. (100mm and 100 x 200mm toolbar)
	7404614	<i>Gear box front plate</i>
	2215122	<i>Spirol pin</i>
	2215140	<i>Spirol pin</i>
6	2309078	Set screw
7	2311091	Flat washer
8	2306464	Coach bolt
9	2311089	Flat washer
10	1905006	Bearing
11	2303092	Nyloc nut
12	2376079	Socket countersunk screw
13	6904319	Gearbox spacer
14	7404626	Bottom cover w/a
15	6904330	Wheel arm spacer
16	7704246	Top cover assy.
	2387017	<i>Wing stud</i>
	2387018	<i>Retainer</i>
	7404625	<i>Top cover w/a</i>
17	5700389	Wheel & Tyre
	5700356	<i>Tyre</i>
	5700357	<i>Tube</i>
	5700388	<i>Wheel</i>
18	6904322	Input shaft
19	2217003	Ext. circlip
20	6904321	Input shaft hub
21	1901051	Ball bearing
22	2217009	Ext. circlip
23	6904331	Wheel arm washer
24	6904328	Wheel arm L/H
25	6904329	Wheel arm R/H
26	2376069	Socket countersunk screw

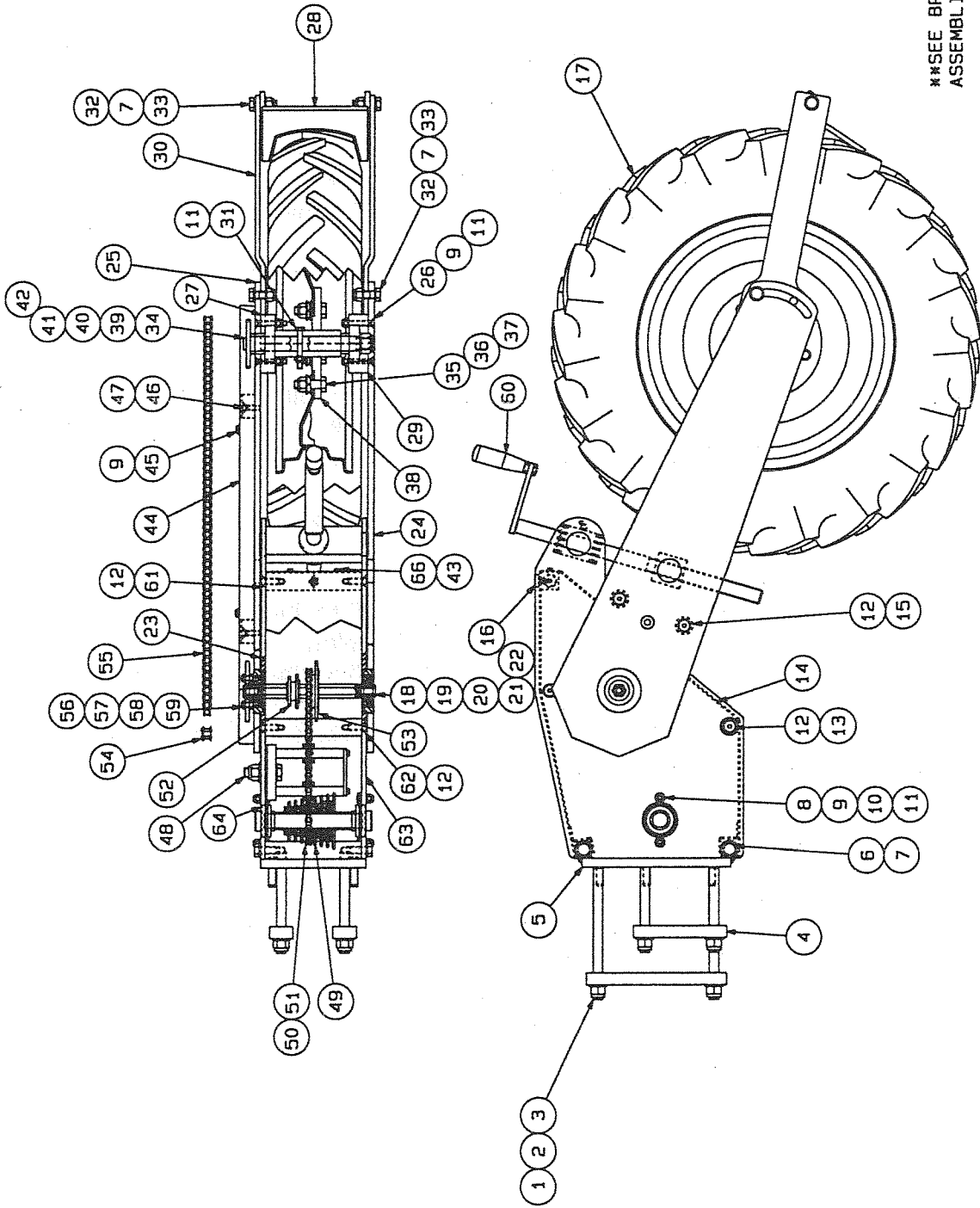
\*\*SEE BREAKDOWN OF PARTS AND ASSEMBLIES ON FOLLOWING PAGES



STAR ADJUSTABLE CHAIN LAND DRIVE WHEELS

27	7704310 1901160 6904407	Wheel bearing hub R/H assy. <i>Bearing</i> <i>Bearing hub R/H</i>
28	7404627	Wheel scraper
29	7704311 1901160 6904410	Wheel bearing hub L/H assy. <i>Bearing</i> <i>Bearing hub L/H</i>
30	6904332	Scraper arm
31	2306043	Bolt
32	2306096	Bolt
33	2303094	Nyloc nut
34	7404622	19t wheel spindle
35	2306560	Bolt
36	2311391	Conical washer
37	2303103	Nyloc nut
38	7404623	Wheel hub
39	6904409	Wheel spindle spacer R/H
40	6904408	Wheel spindle spacer L/H
41	2311093	Flat washer
42	2303096	Nyloc nut
43	2311132	Flat washer
44	7404624	Chain guard
45	2377085	Socket button head screw
46	6904333	Jockey
47	2376064	Socket countersunk screw
48	7704243	Secondary drive jockey assy. (see breakdown- other page)
49	7404619	8 sprocket cluster
50	1830003	65pitch chain
51	1830001	Connecting link
52	1707151	11/13T sliding sprocket
53	1707086	17/24T sliding sprocket
54	1808065	Connecting link
55	1808083	125 pitch chain (24T sprocket)
	1808086	137 pitch chain (40T sprocket)
56	2377079	Socket button head screw
57	2311215	Spring washer
58	1708062	24T primary driven sprocket
	1708065	40T primary driven sprocket
59	6904336	Primary driven hub
60	7704245	Jack screw assy. (see breakdown -other page)
	7704283	Jack screw assy. -spring loaded (see breakdown - other page)
61	7704244	Gearbox rear spacer assy.
62	6904319	Gearbox spacer
63	7404615	Gearbox side L/H





\*\*SEE BREAKDOWN OF PARTS AND ASSEMBLIES ON FOLLOWING PAGES

STAR ADJUSTABLE CHAIN LAND DRIVE WHEELS

61	7704244	Gearbox rear spacer assy.
62	6904319	Gearbox spacer
63	7404615	Gearbox side L/H
64	7404616	Gearbox side R/H
65	7704283	Jack screw (spring loaded- assy.)
66	2309022	Set screw

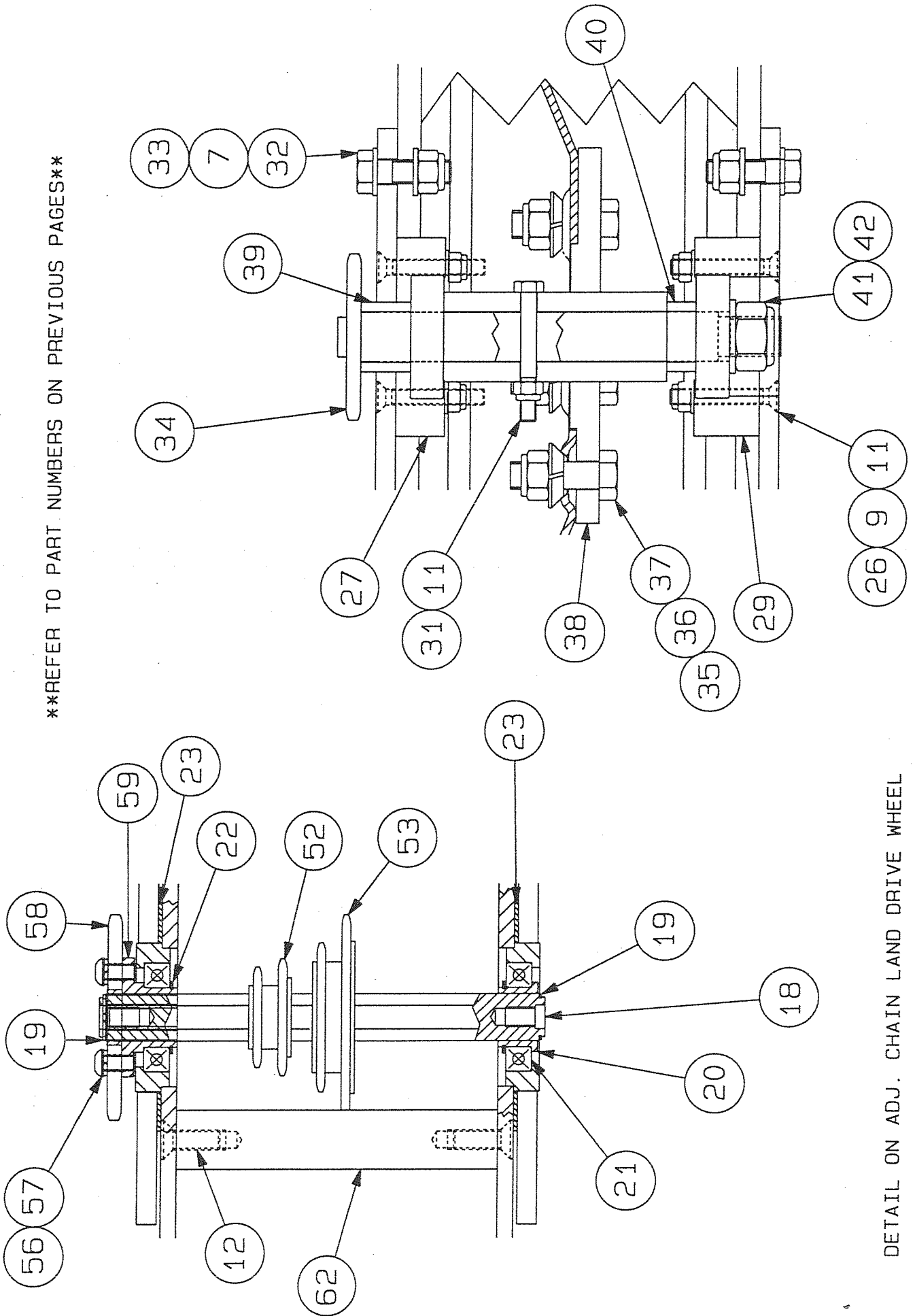
### Assemblies

8003854	Chain land drive wheel (100 x 100 toolbar)
7704267	Support land wheel (100 x 100 toolbar)
8003860	Chain land drive wheel (100 x 100 toolbar) – spring loaded
7704268	Support land wheel (100 x 100 toolbar) – microband/ F180
8003857	Chain land drive wheel (180 x 180 toolbar)
7704270	Support land wheel (180 x 180 toolbar)
8003860	Chain land drive wheel (180 x 180 toolbar) – spring loaded
7704271	Support land wheel (180 x 180 toolbar) – microband/ F180
8003980	Chain land drive wheel (210 x 100 toolbar)
7704303	Support land wheel (210 x 100 toolbar)
8003978	Chain land drive wheel (210 x 100 toolbar) – spring loaded
7704367	Support land wheel (210 x 100 toolbar) – microband/ F180

**\*\* See Separate pages for :-\*\***

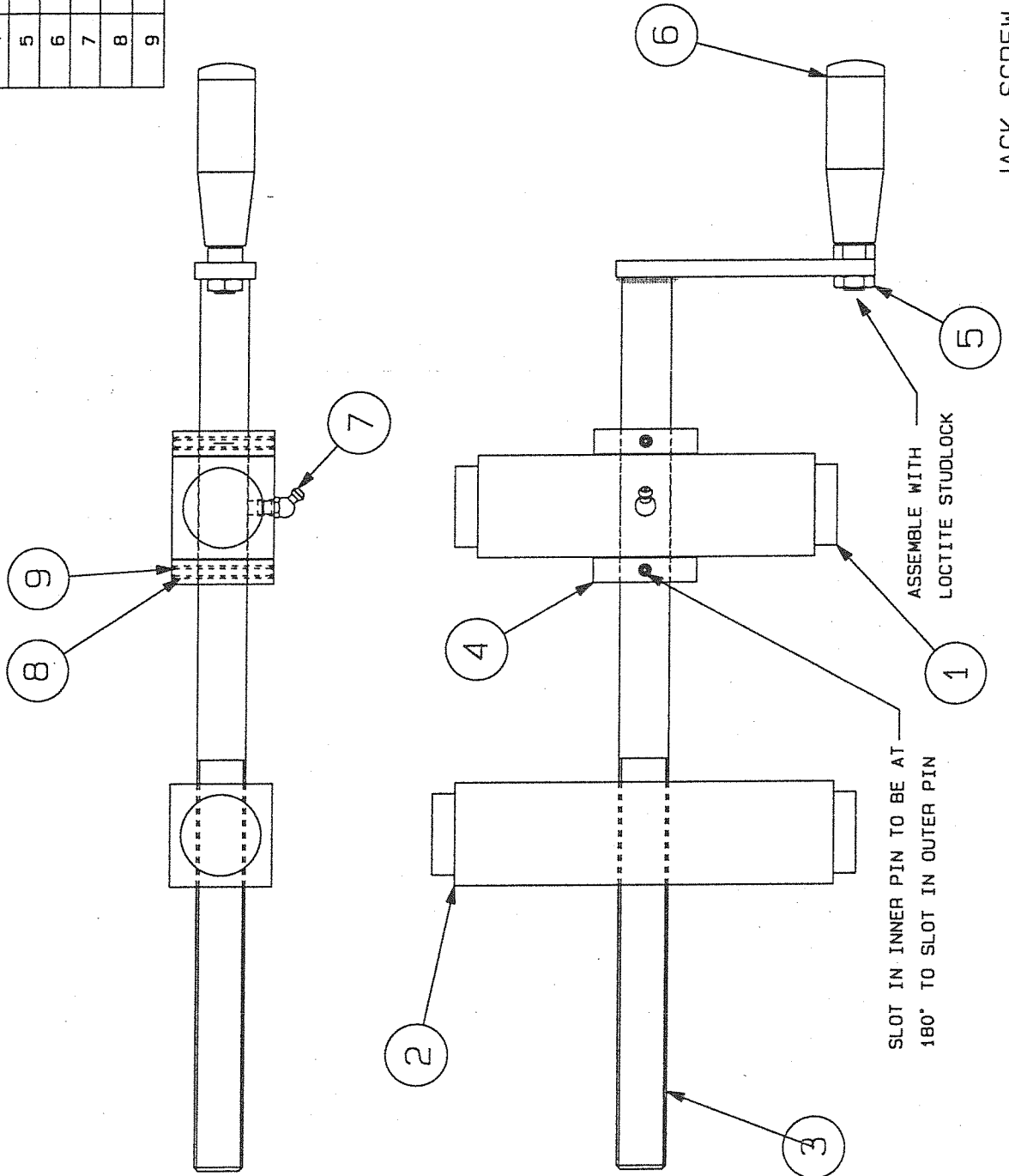
**Microband / F180 drive parts**  
**Secondary drive jockey**  
**Detail on adjustable Land drive wheel**  
**Jack screw assembly**  
**Jack screw assembly – spring loaded**

\*\*REFER TO PART NUMBERS ON PREVIOUS PAGES\*\*



DETAIL ON ADJ. CHAIN LAND DRIVE WHEEL

ITEM	PART No.	DESCRIPTION
1	6904325	TRUNION - PLAIN
2	6904326	TRUNION - TAPPED
3	7404620	JACK SCREW
4	6904327	JACK SCREW COLLAR
5	2303044	LOCKNUT
6	6404036	HANDLE
7	6401018	GREASER
8	2215306	TENSION PIN- LARGE
9	2215403	TENSION PIN- SMALL

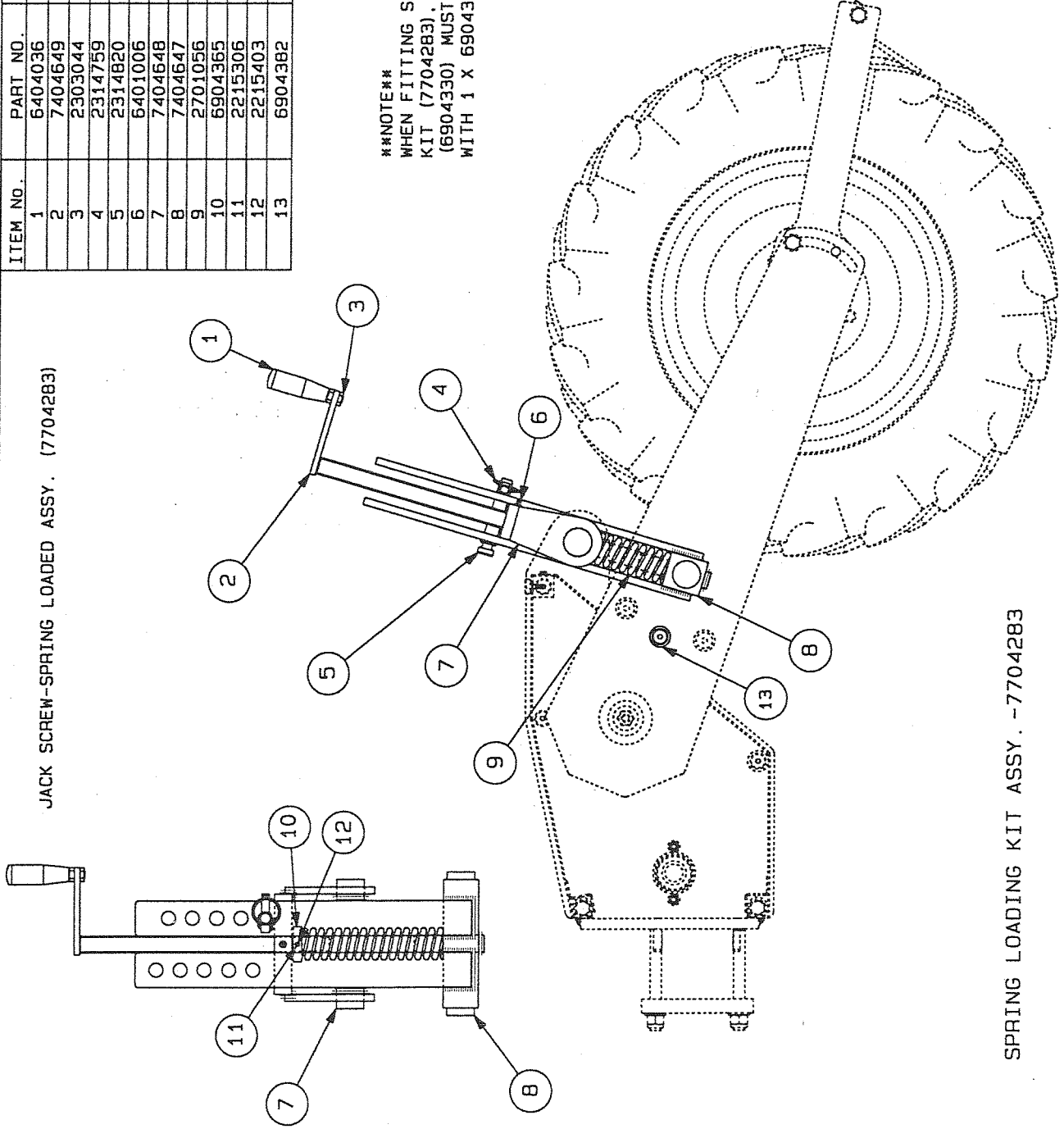


JACK SCREW ASSEMBLY -7704245

JACK SCREW-SPRING LOADED ASSY. (7704283)

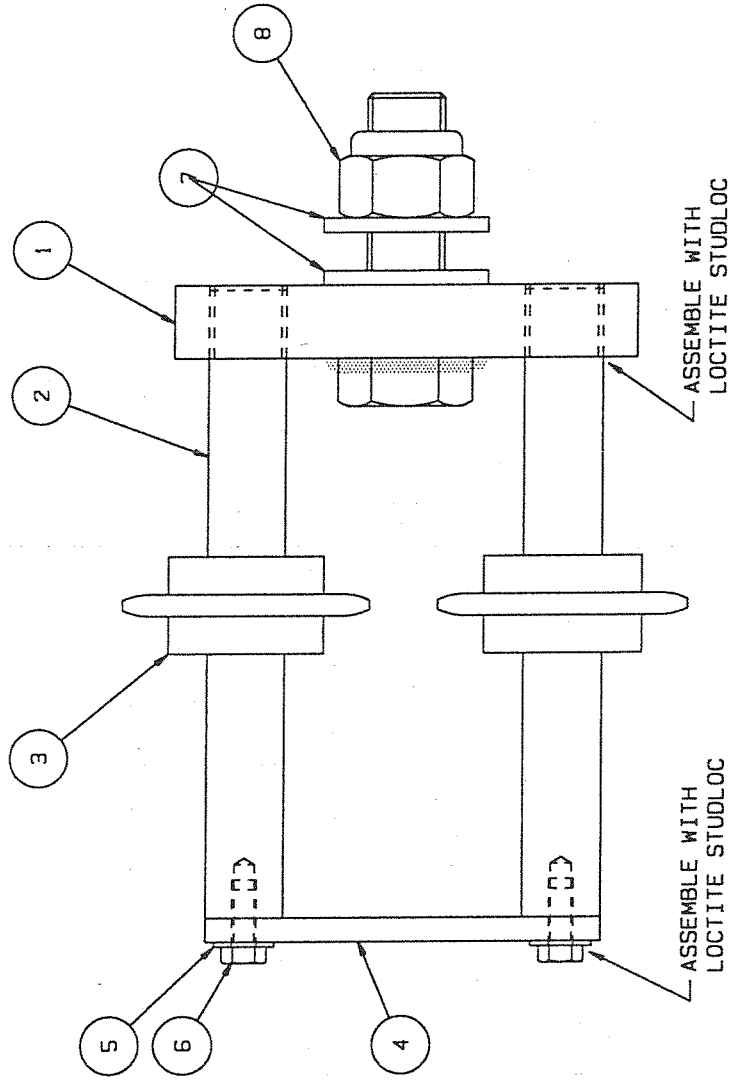
ITEM NO.	PART NO.	DESCRIPTION
1	6404036	HANDLE
2	7404649	JACK SCREW
3	2303044	LOCKNUT
4	2314759	LYNCH PIN
5	2314820	LINK PIN
6	6401006	GREASE NIPPLE
7	7404648	GEARBOX TRUNION
8	7404647	WHEEL ARM TRUNION
9	2701056	COMPRESSION SPRING
10	6904365	JACK SCREW COLLAR
11	2215306	TENSION PIN (LARGE)
12	2215403	TENSION PIN (SMALL)
13	6904382	WHEEL ARM SPACER (S/L)

\*\*\*NOTE\*\*\*  
 WHEN FITTING SPRING LOADED JACK SCREW  
 KIT (7704283), 2X WHEEL ARM SPACERS  
 (6904330) MUST BE REMOVED, AND REPLACED  
 WITH 1 X 6904382- AS SHOWN BY ITEM 13



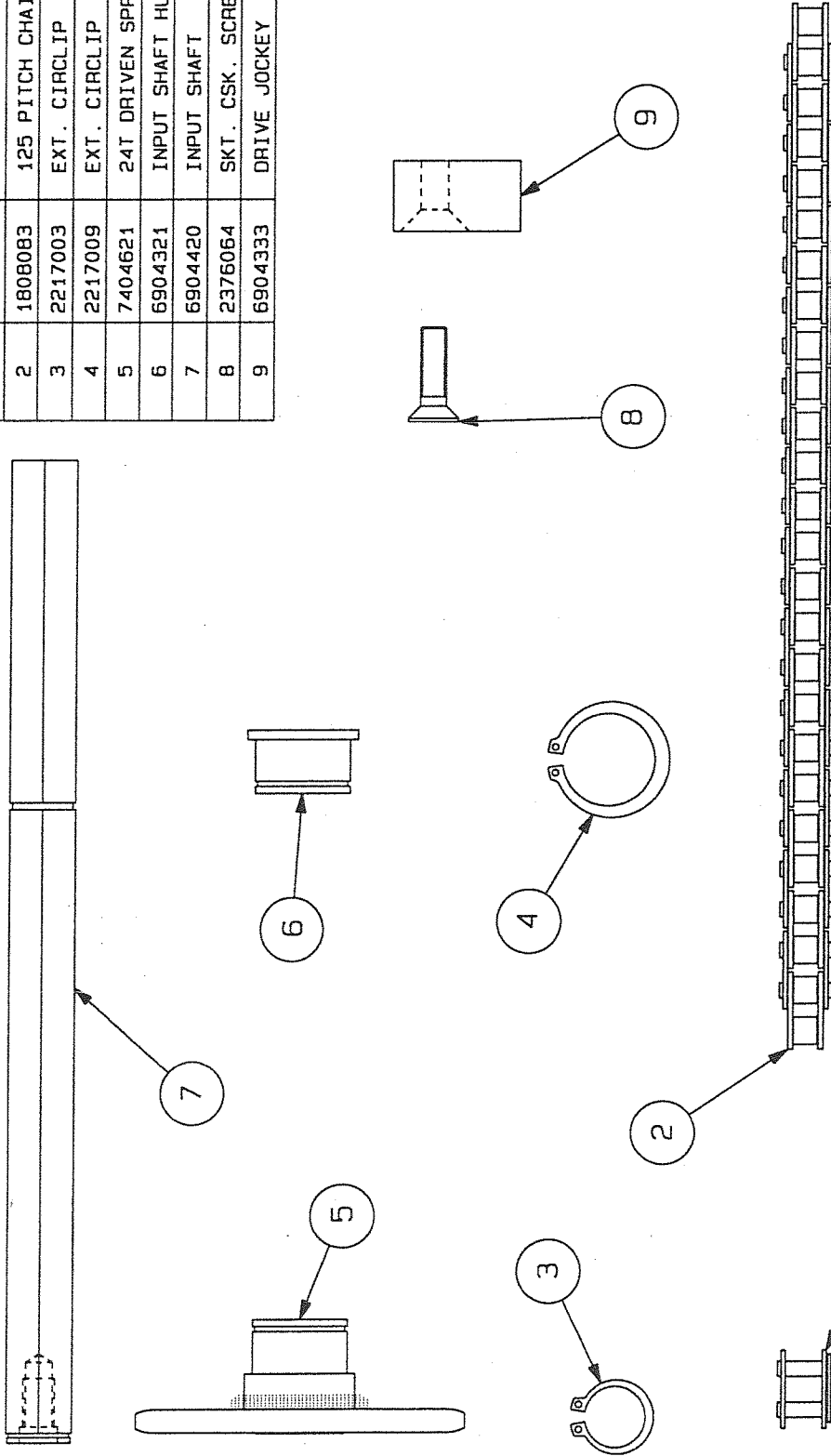
SPRING LOADING KIT ASSY. -7704283

ITEM	PART No.	DESCRIPTION
1	7404617	JOCKEY BASE-WA
2	6904323	JOCKEY SPINDLE
3	7704242	11T JOC.SPROCK.-ASSY
4	6904324	SPINDLE TIE
5	2311132	FLAT WASHER
6	2309022	SET SCREW
7	2311137	FLAT WASHER
8	2303095	NYLOC NUT



SECONDARY DRIVE JOCKEY ASSEMBLY- 7704243

ITEM	PART No.	DESCRIPTION
1	1808065	CONNECTING LINK
2	1808083	125 PITCH CHAIN
3	2217003	EXT. CIRCLIP
4	2217009	EXT. CIRCLIP
5	7404621	24T DRIVEN SPROCKET
6	6904321	INPUT SHAFT HUB
7	6904420	INPUT SHAFT
8	2376064	SKT. CSK. SCREW
9	6904333	DRIVE JOCKEY



MICROBAND / F180 DRIVE PARTS

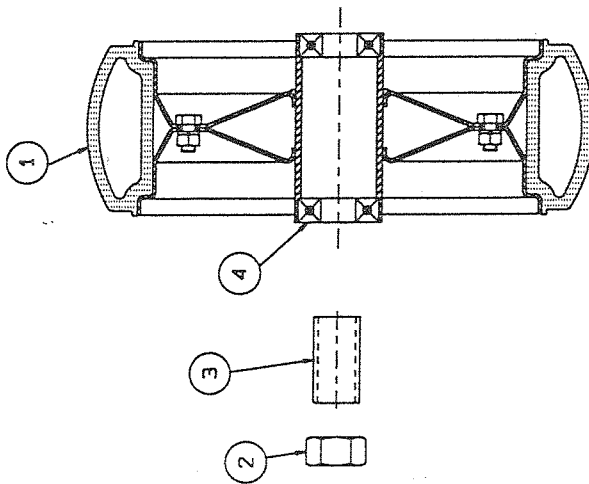
KITS: -

8003965 ZP SCRAPER KIT FRONT (ITEMS 6, 7, 8, 9)  
 8003961 ZP SCRAPER KIT REAR (ITEMS 5, 6, 10, 11)

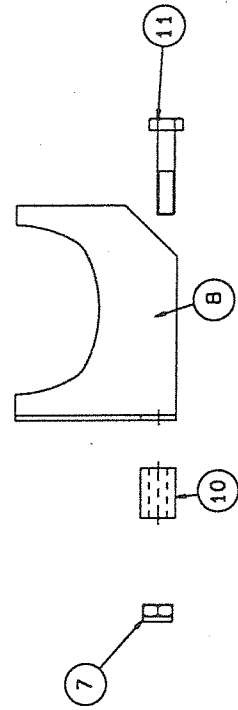
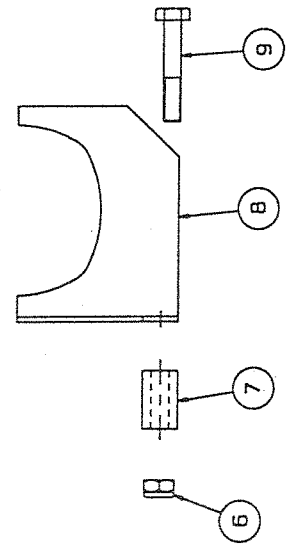
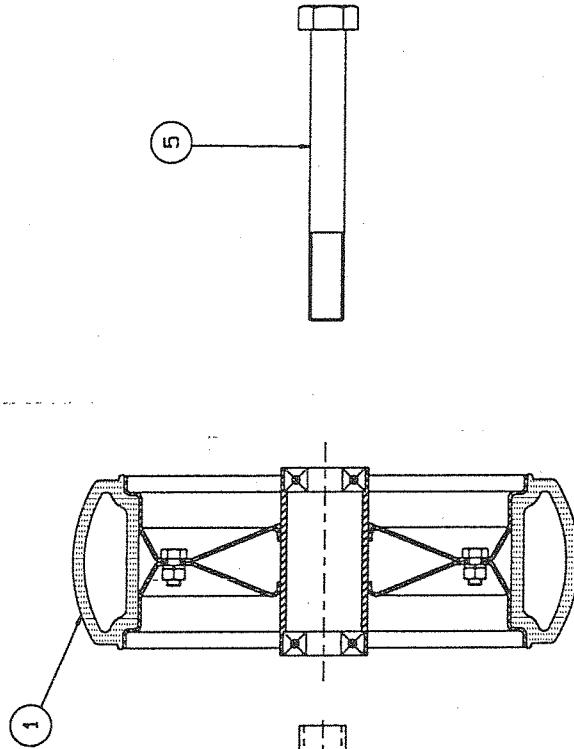
8003967 ZP WHEEL & SCRAPER KIT- FRONT (ITEMS 1, 2, 3, 5, 6, 7, 8, 9)  
 8003966 ZP WHEEL & SCRAPER KIT- REAR (ITEMS 1, 2, 3, 5, 6, 8, 10, 11)

1	5700398	ZERO PRESSURE WHEEL	1
2	2303011	HEX NUT	1
3	6904544	WHEEL SPACER	1
4	1901049	BALL BEARING	2
5	2306173	BOLT	1
6	2303109	NYLOC NUT	AS REQD
7	6904548	SCRAPER SPACER	1
8	6903907	SCRAPER	1
9	2306070	BOLT	1
10	6904547	SCRAPER SPACER	1
11	2306068	BOLT	1

FRONT WHEEL



REAR WHEEL



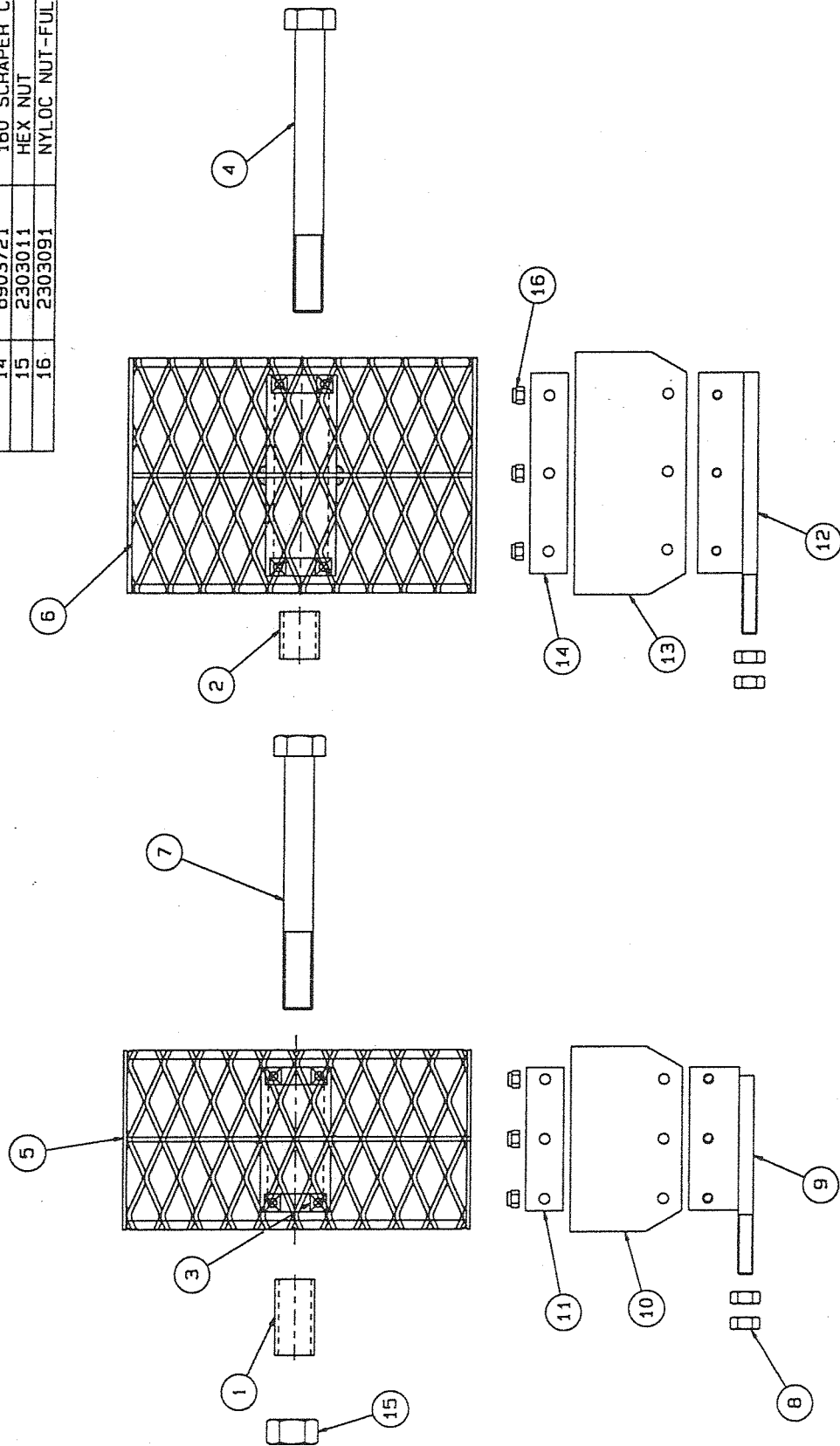
ZERO PRESSURE WHEELS & SCRAPERS (FRONT & REAR)



KITS:-

- 8003962 120 WHEEL SCRAPER (ITEMS 8, 9, 10, 11, 16)
- 8003963 160 WHEEL SCRAPER (ITEMS 8, 12, 13, 14, 16)
- 8003968 120C WHEEL & SCRAPER KIT (ITEMS 1, 5, 7, 8, 9, 10, 11, 15, 16)
- 8003970 160C WHEEL & SCRAPER KIT (ITEMS 2, 4, 6, 8, 12, 13, 14, 15, 16)

1	6904545	120 WHEEL SPACER	1
2	6904543	160 WHEEL SPACER	1
3	1901049	BALL BEARING	2
4	2306174	BOLT (160C WHEEL)	1
5	7704198	120C WHEEL-COMP ASSY	1
6	7703846	160C WHEEL-COMP ASSY	1
7	2306172	BOLT (120C WHEEL)	1
8	2303008	HEXAGON NUT	2
9	7404804	120 SCRAPER PLATE	1
10	6903541	120 SCRAPER BLADE	1
11	6903542	120 SCRAPER CLAMP	1
12	7404806	160 SCRAPER PLATE	1
13	6903720	160 SCRAPER BLADE	1
14	6903721	160 SCRAPER CLAMP	1
15	2303011	HEX NUT	1
16	2303091	NYLOC NUT-FULL	AS REQ.

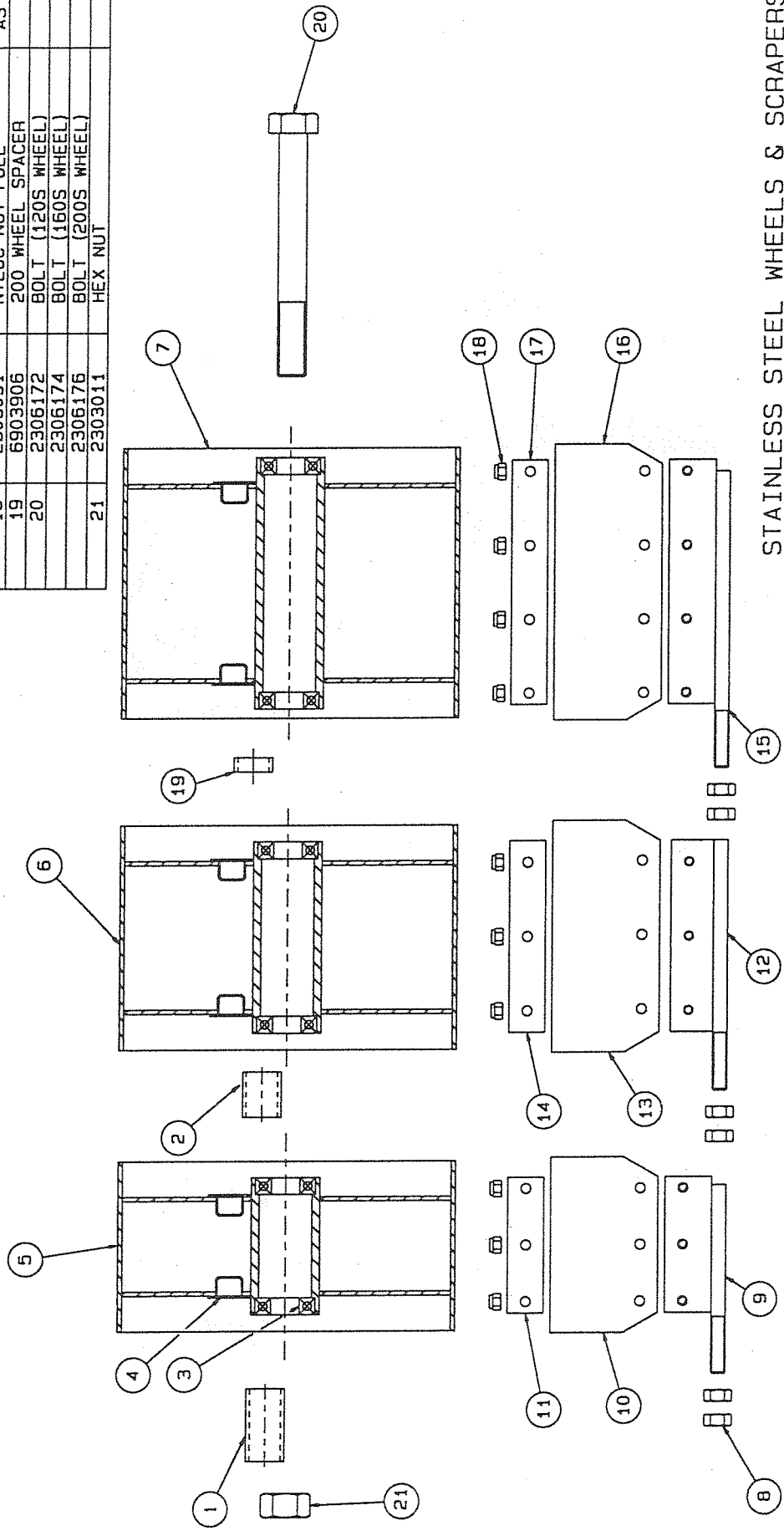


CAGE WHEELS & SCRAPERS

KITS: -

- 8003962 120 WHEEL SCRAPER (ITEMS 8, 9, 10, 11, 18)
- 8003963 160 WHEEL SCRAPER (ITEMS 8, 12, 13, 14, 18)
- 8003957 200 WHEEL SCRAPER (ITEMS 8, 15, 16, 17, 18)
- 8003969 120S WHEEL & SCRAPER KIT (ITEMS 1, 5, 8, 9, 10, 11, 18, 20, 21)
- 8003971 160S WHEEL & SCRAPER KIT (ITEMS 2, 6, 8, 12, 13, 14, 18, 20, 21)
- 8003972 200S WHEEL & SCRAPER KIT (ITEMS 7, 8, 15, 16, 18, 19, 20, 21)

1	6904545	120 WHEEL SPACER	1
2	6904543	160 WHEEL SPACER	1
3	1901049	BALL BEARING	2
4	2830001	RUBBER BUNG	2
5	7703705	120S WHEEL-COMP ASSY	1
6	7703845	160S WHEEL-COMP ASSY	1
7	7703718	200S WHEEL-COMP ASSY	1
8	2303008	HEXAGON NUT	2
9	7403893	120 SCRAPER PLATE	1
10	6903541	120 SCRAPER BLADE	1
11	6903542	120 SCRAPER CLAMP	1
12	7404091	160 SCRAPER PLATE	1
13	6903720	160 SCRAPER BLADE	1
14	6903721	160 SCRAPER CLAMP	1
15	7403902	200 SCRAPER PLATE	1
16	6903647	200 SCRAPER BLADE	1
17	6903648	200 SCRAPER CLAMP	1
18	2303091	NYLOC NUT-FULL	AS REQ.
19	6903906	200 WHEEL SPACER	1
20	2306172	BOLT (120S WHEEL)	1
	2306174	BOLT (160S WHEEL)	1
	2306176	BOLT (200S WHEEL)	1
21	2303011	HEX NUT	1



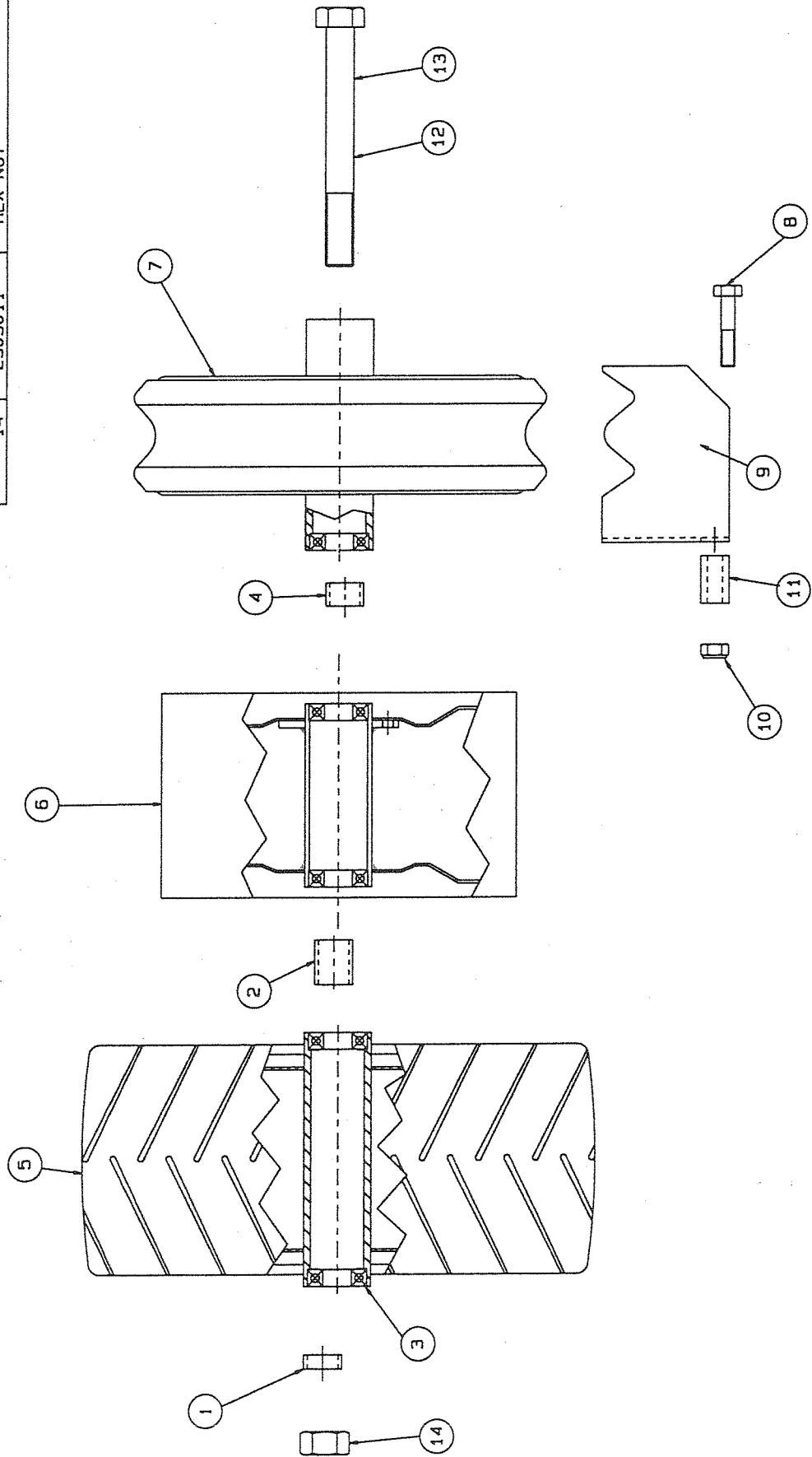
STAINLESS STEEL WHEELS & SCRAPERS

KITS: -

- 8003973 ZERO PRESSURE CONCAVE (ZPC) WHEEL & SCRAPER KIT (ITEMS 4, 7, 8, 9, 10, 11, 13, 14)
- 8003974 MEDIUM ZERO PRESSURE (MZP) WHEEL KIT (ITEMS 2, 6, 12, 14)
- 8003975 LARGE ZERO PRESSURE (LZP) WHEEL KIT (ITEMS 1, 5, 13, 14)

\*\*NOTE: LZP, MZP AND ZPC WHEELS ARE COMPLETE WITH BEARINGS 1901049\*\*

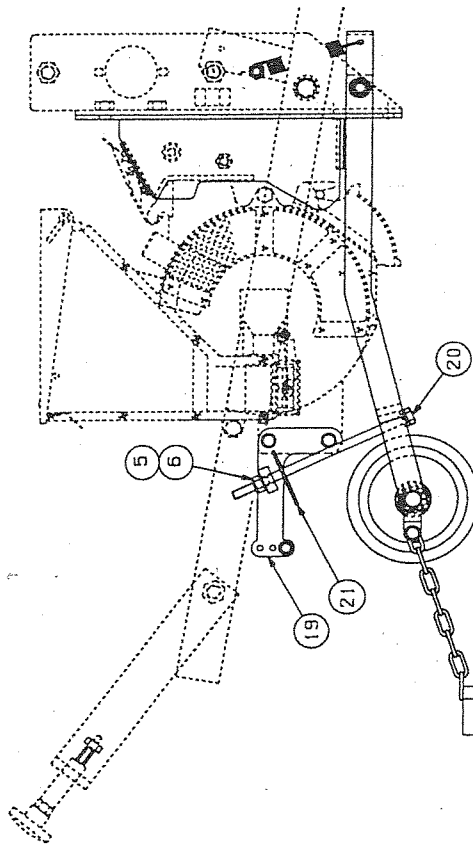
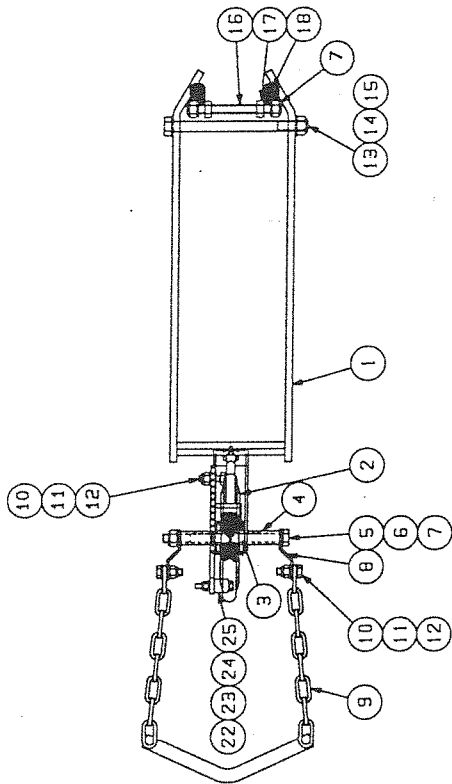
1	6903906	LZP SPACER	1
2	6904064	MZP SPACER	1
3	1901049	BALL BEARING	2
4	6903961	ZPC SPACER	1
5	5700387	LZP WHEEL	1
6	5700422	MZP WHEEL	1
7	5700404	ZPC WHEEL	1
8	2306068	BOLT	1
9	6903694	ZP CONCAVE SCRAPER	1
10	2303109	NYLOC NUT-FULL	3
11	6904548	SCRAPER SPACER	1
12	2306174	BOLT (MZP)	1
13	2306176	BOLT (LZP/ZPC)	1
14	2303011	HEX NUT	1



LARGE, MEDIUM AND CONCAVE ZERO PRESSURE WHEELS & SCRAPERS

KIT:

8003882 1 LINE P.W.



1	7404671	PRESS WHEEL FRAME-1L	1
2	7403111	NYLON WHEEL-ASSY	1
3	6903114	M8 SCREW-11L, Z/CLTP	1
4	6904413	LINK SPACER-11L, Z/CLTP	2
5	2311090	M10 F WASHER-FORM A	5
6	2306080	M10 X 140 BOLT	3
7	2303108	M10 NYLOC NUT-THIN	4
8	6904390	DRAG COVERER LINK-PW	2
9	7404672	M8 F WASHER-FORM A	1
10	2311089	M8 X 29 SET SCREW	6
11	2309048	M9 NYLOC NUT-FULL	4
12	2303092	M12 F WASHER-FORM A	2
13	2311091	M12 X 160 BOLT	1
14	2306112	M12 PHIL 1045 NUT-HK5	1
15	2303126	COVERER SPRING STUD	2
16	6903601	M10 HEX NUT	2
17	2303008	TENSION SPRING	2
18	7404671	PW STOP BRACKET-NA	1
19	6904379	ADJUSTER BOLT	1
20	2316033	5/32 R-CLTP	1
21	6904380	FISHTAIL SPACER	1
22	2311089	M8 F WASHER-FORM A	2
23	2309036	M6 X 40 SET SCREW	2
24	2303091	M6 NYLOC NUT-FULL	1

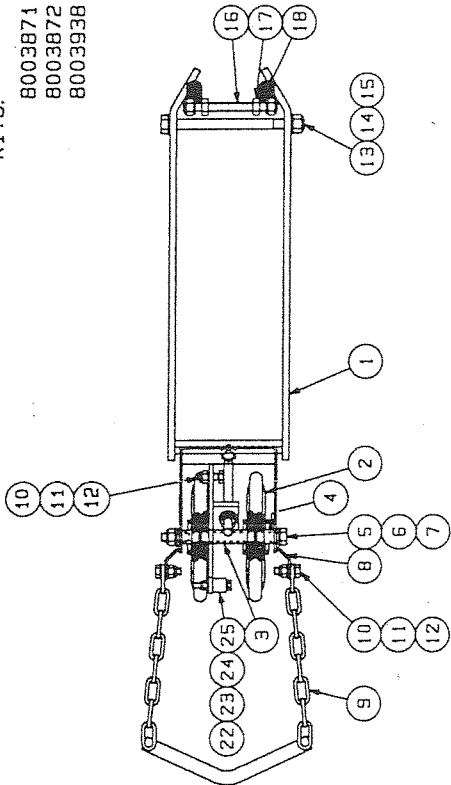
SEED PRESS WHEELS - 1 LINE

KITS:

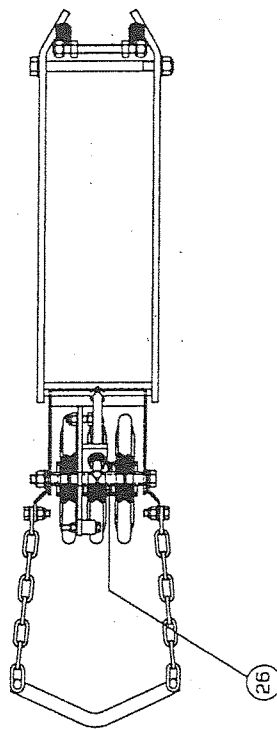
- 8003871
- 8003872
- 8003938

- 2LX65
- 3LX65
- 3LX65 (3CHAIN)

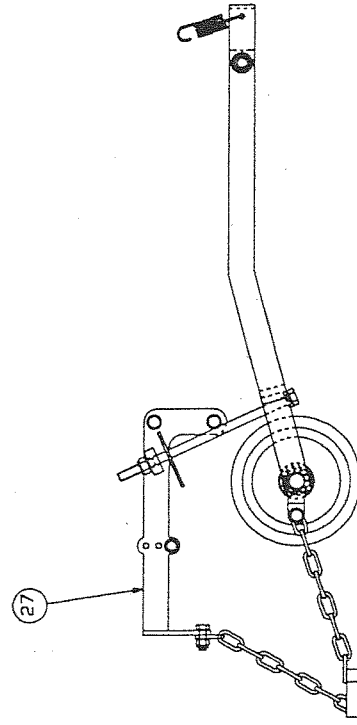
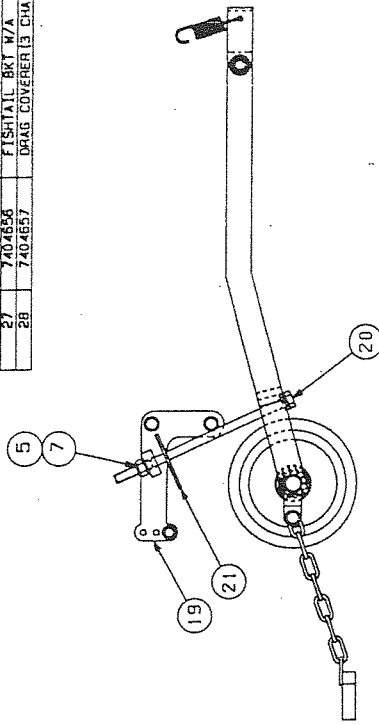
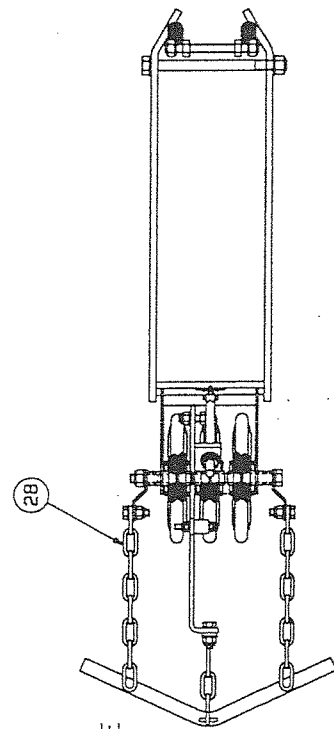
2 LINE X 65 WIDE



3 LINE X 65 WIDE



3 LINE X 65 WIDE  
-3 CHAIN



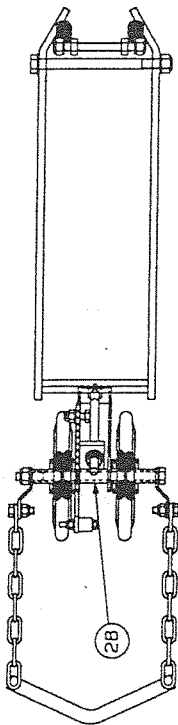
1	7404670	PW FRAME-WA 65	2
2	703331	ZP SEED P WHEEL-ASSY	2
3	6903130	MFL SPACER (2.05 IN)	1
4	6903132	MFL SPACER (2.3/05 0)	2
5	5246090	M10 L WASHER-FORM A	3
6	5303100	M10 NYLOC BOLT	1
7	5303100	M10 NYLOC BOLT	1
8	6904390	DRAG COVERER G LNK-PW	2
9	7404672	DRAG COVERER G WHEEL-FORM A	1
10	2311096	MB F WASHER-FORM A	0
11	2309048	MB X 23 SET SCREW	4
12	2303092	MB NYLOC NUT-FULL	4
13	2311091	M12 F WASHER-FORM A	2
14	2306112	M12 X 160 BOLT	4
15	2303126	M12 PHILLIPS NUT-MK5	1
16	6903801	COVERER SPRING STUD	1
17	2303008	M10 HEX NUT	2
18	2702002	TENSION SPRING	2
19	7404671	PW STOP BRACKET-WA	1
20	6904379	ADJUSTER BOLT	1
21	2316033	5/32 R-CLIP	1
22	6904360	FISHTAIL SPACER	1
23	2311098	M6 F WASHER-FORM A	2
24	2309038	M6 X 40 SET SCREW	1
25	2303091	M6 NYLOC NUT-FULL	1
26	6903131	MFL SPACER (3L 65 IN)	2
27	7404656	FISHTAIL BRT W/A	1
28	7404657	DRAG COVERER (3 CHAIN)	1

SEED PRESS WHEELS 65MM WIDE

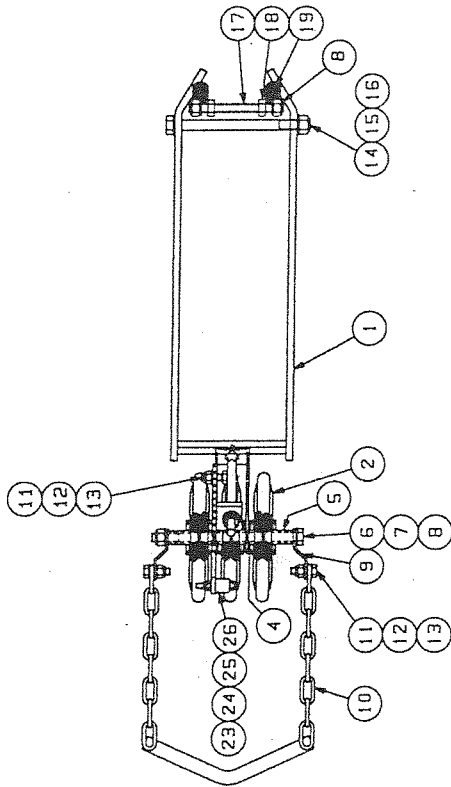
KITS:

- 8003873 2LX75
- 8003874 3LX75
- 8003939 3LX75 (3CHAIN)

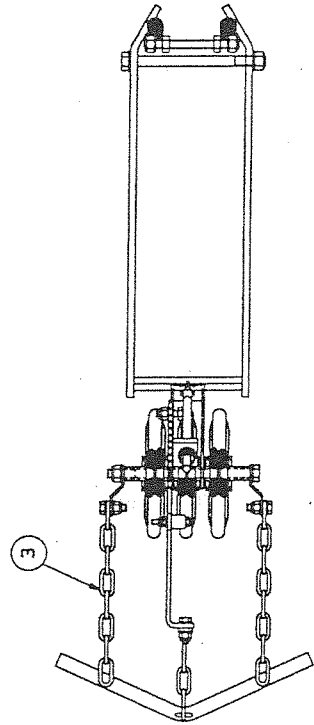
3LX75 (3CHAIN)



2 LINE X 75

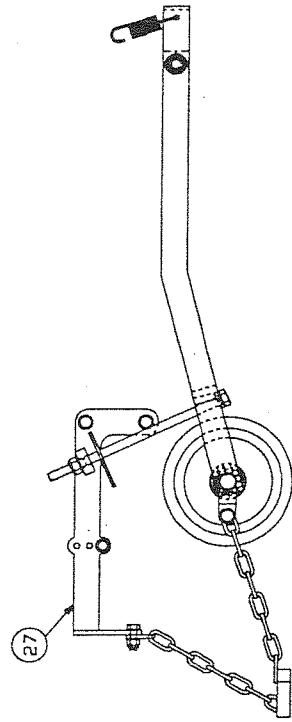
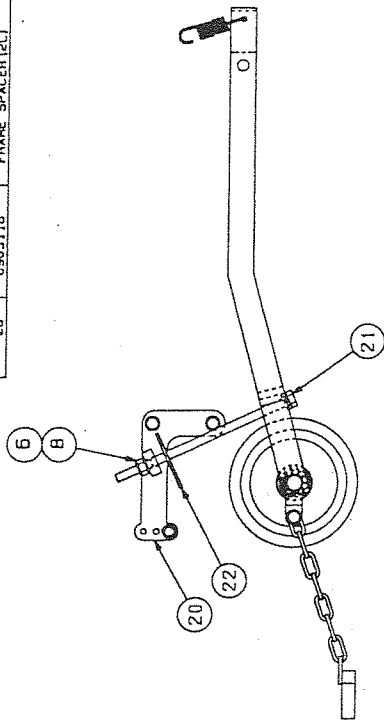


3 LINE X 75



3 LINE X 75  
3 CHAIN DRAG  
COVERER

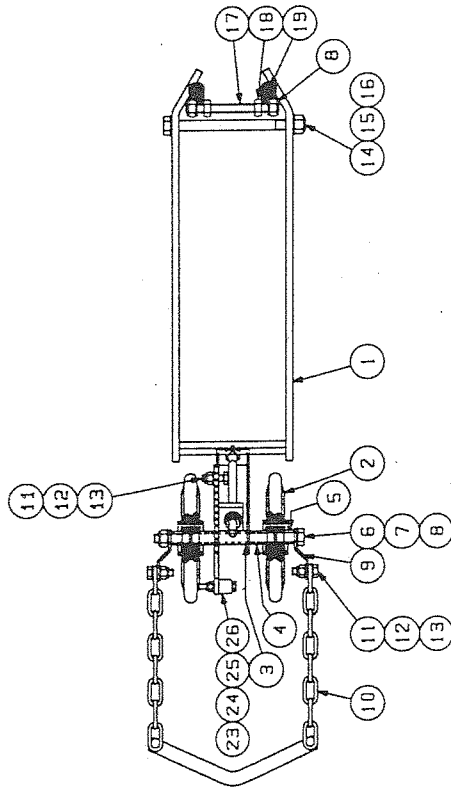
1	7404669	PRESS WHEEL FRAME-WA	J
2	7703331	70° SEED WHEEL-ASST	AS REQD
3	7404657	DRAG COVERER-PK-MA	1
4	6903115	WHL SPACER(1L) 27X175	4
5	6904392	WHL SPACER(OUT) 27X175	2
6	2311090	M10 F WASHER-FORM A	3
7	2306083	M10 X 170 BOLT	1
8	2303109	M10 NYLOC NUT-TRIH	1
9	6904390	DRAG COVERER LINK-PW	2
10	7404672	DRAG COVERER-PK-MA	1
11	2311089	M8 F WASHER-FORM A	6
12	2309048	M8 X 25 SET SCREW	4
13	2303092	M8 NYLOC NUT-FULL	4
14	2311091	M12 F WASHER-FORM A	2
15	2306112	M12 X 160 BOLT	1
16	2303188	M12 PHILTDS NUT-HK5	1
17	6903801	COVERER SPRING STUO	1
18	2303008	M10 HEX NUT	2
19	7705002	TENSION SPRING	2
20	7404671	PH STOP BRACKET-WA	1
21	6904379	ADJUSTER BOLT	1
22	2316083	5/32 H-CL IP	1
23	6904380	FISHTAIL SPACER	1
24	2311088	M8 F WASHER-FORM A	2
25	2303091	M8 X 40 SET SCREW	1
26	2303084	M8 NYLOC NUT-FULL	1
27	7404656	FISHTAIL BRACKET - WA	1
28	6903116	FRAME SPACER(2)	1



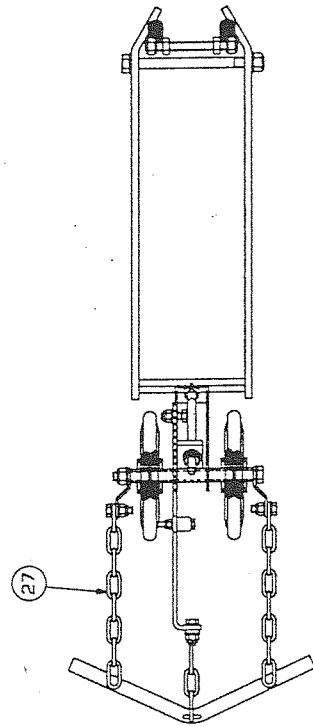
SEED PRESS WHEELS - 75MM WIDE

KITS:  
 8003875 2LX100  
 8003986 2LX100 (3 CHAIN)

2 LINE X 100

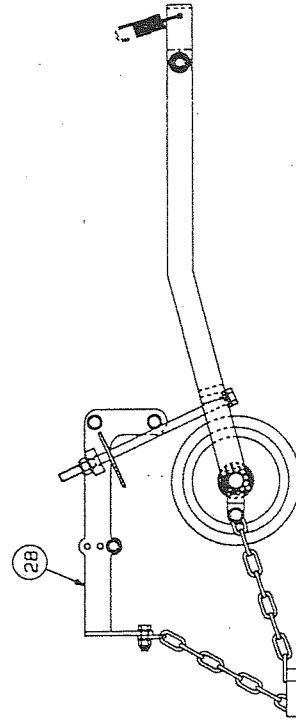
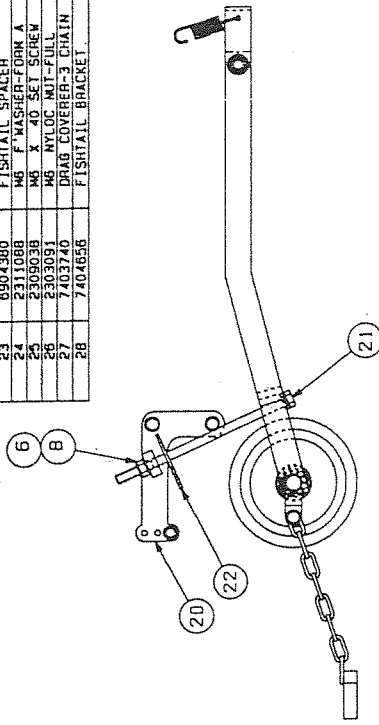


2 WINE X 100  
 3 CHAIN DRAG  
 COVERER



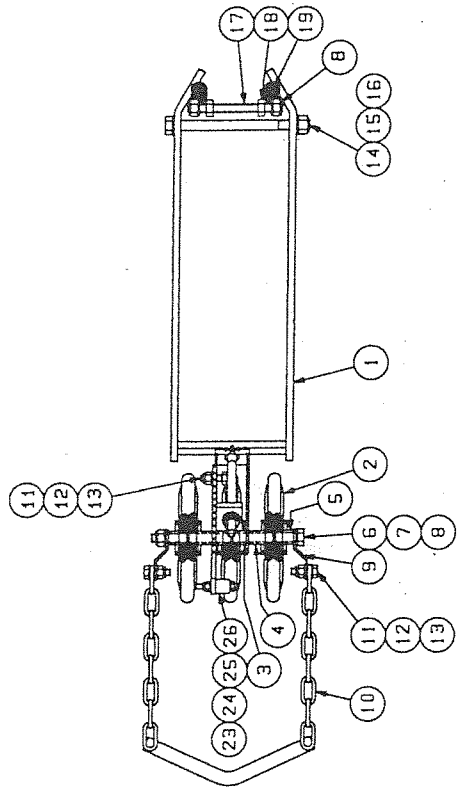
SEED PRESS WHEELS - 100MM WIDE

1	7404659	PRESS WHEEL FRAME-WA	1
2	7703331	ZP SEED P.WHEEL-ASSY	2
3	6903118	WHL SPACER (1L 2/3L75)	2
4	6903116	WHL SPACER (2/3L100)	2
5	6904391	M10 F WASHER-FORM A	3
6	2311090	M10 X 170 BOLT	1
7	2306083	M10 NYLOC NUT-THIN	4
8	2303109	DRAG COVERER LTHK-PM	2
9	6904390	DRAG COVERER-PM-WA	1
10	7404672	M8 F WASHER-FORM A	6
11	2311089	M8 X 25 SET SCREW	4
12	2309048	M8 NYLOC NUT-FULL	4
13	2303092	M12 F WASHER-FORM A	2
14	2311091	M12 X 160 BOLT	1
15	2306112	M12 PHILLIPS NUT-MS	1
16	2303128	COVERER SPRING STUD	1
17	6903601	WHL STOP BRACKET	2
18	2303009	AD. SETER BOLT	1
19	7404674	AD. SETER BOLT	1
20	6904370	AD. SETER BOLT	1
21	2311633	FISHTAIL SPACER	1
22	6904380	M4 F WASHER-FORM A	2
23	2311088	M4 X 40 SET SCREW	1
24	2309038	M8 NYLOC NUT-FULL	1
25	2303091	M8 NYLOC NUT-FULL	1
26	7403740	DRAG COVERER-3 CHAIN	1
27	7404656	FISHTAIL BRACKET	1

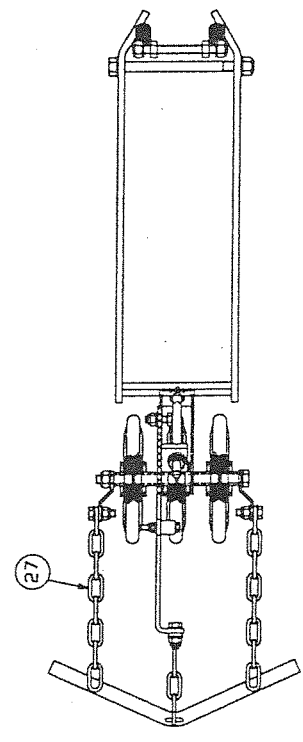
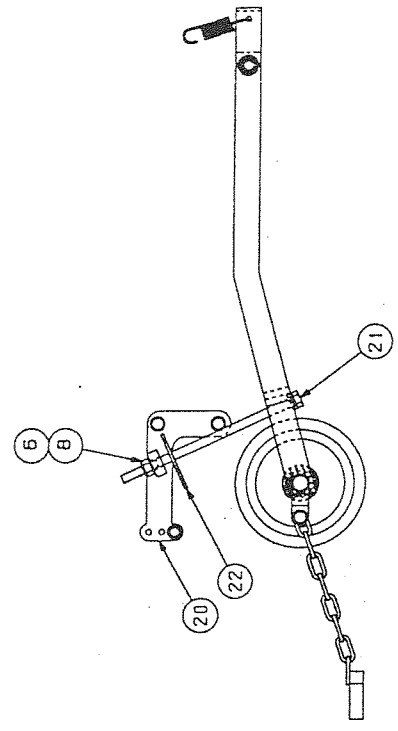


KITS:  
 8003876 3LX100  
 8003988 3LX100 (3CHAIN)

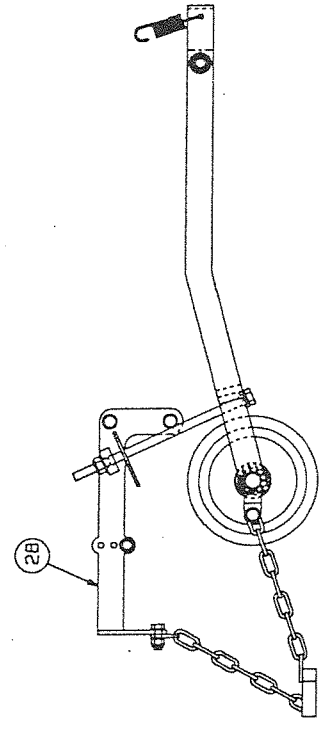
1	7404859	PRESS WHEEL FRAME VA	1
2	7703331	ZP SEED P. WHEEL-ASSY	3
3	6903115	M4 SPACER (L 2/3L75)	2
4	6903116	M4 SPACER (2/3L100)	2
5	6904391	M4 SPACER-OUT-3L100	2
6	2311090	M10 F. WASHER-FORM A	3
7	2306083	M10 X 170 BOLT	1
8	2303109	M10 NYLOC NUT-THIN	4
9	6904390	DRAG COVERER LINK-PM	2
10	7404872	DRAG COVERER-PM-NA	1
11	2311089	M8 F. WASHER-FORM A	6
12	2309048	M8 X 25 SET SCREW	4
13	2303092	M8 NYLOC NUT-FULL	4
14	2311091	M12 F. WASHER-FORM A	2
15	2306112	M12 X 160 BOLT	1
16	2303128	M12 PHILLIPS NUT-RR5	1
17	6903601	COVERER SPRING STUO	1
18	2303008	M10 HEX NUT	2
19	2702002	TENSION SPRING	2
20	7404871	PM STOP BRACKET-NA	1
21	6904379	ADJUSTER BOLT	1
22	2316933	5/32 R-CLIP	1
23	5904860	FISHTAIL SPACER	1
24	5301038	M8 F. WASHER-FORM A	2
25	5301039	M8 X 40 SET SCREW	1
26	5301037	M8 NYLOC NUT-FULL	1
27	7404857	DRAG COVERER-3 CHAIN	1
28	7404856	FISHTAIL EXT	1



3 LINE X 100



3 LINE X 100  
 3 CHAIN DRAG  
 COVERER

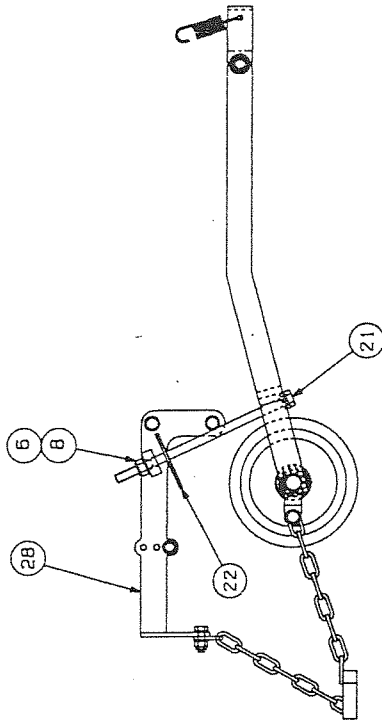
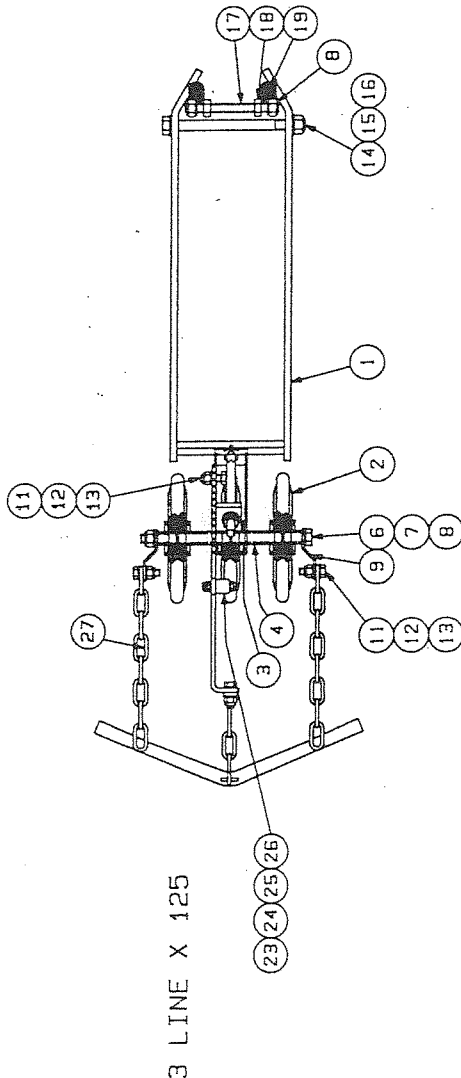


SEED PRESS WHEELS - 100MM WIDE



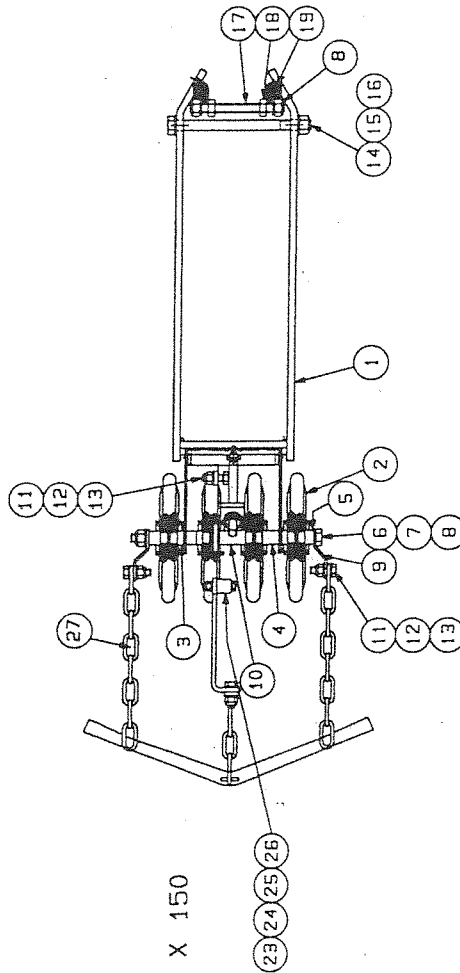
KITS: 8003983 3LX125 (3 CHAIN)

1	7404656	PRESS WHEEL FRAME W/A	1
2	7703331	ZP SEED P WHEEL-ASSY	3
3	6904319	MHL SPACER (1L/2/3L/7)	4
4	6904355	MHL SPACER (2/3L/125)	2
5	2311060	M10 F WASHER-FORM A	3
6	5303088	M10 X 190 BOLT	1
7	5303089	M10 NYLOC NUT - THIN	1
8	5904390	DRAG COVERER LINK-PH	2
9	2311069	M8 F WASHER-FORM A	6
10	2309048	M8 X 25 SET SCREW	4
11	2303092	M8 NYLOC NUT-FULL	4
12	2311091	M12 F WASHER-FORM A	2
13	2308112	M12 X 160 BOLT	1
14	2303126	M12 PHILIDAS NUT-MK5	1
15	6903601	COVERER SPRING STUD	1
16	2303008	M10 HEX NUT	2
17	2702002	TENSION SPRING	2
18	6904379	ADJUSTER BOLT	1
19	2316033	5/32 R-CLIP	1
20	6904360	FISHTAIL SPACER	1
21	2311088	M6 F WASHER-FORM A	2
22	2309038	M6 X 40 SET SCREW	1
23	2303091	M6 NYLOC NUT-FULL	1
24	7403740	DRAG COVERER-3 CHAIN	1
25	7404656	FISHTAIL BRACKET	1

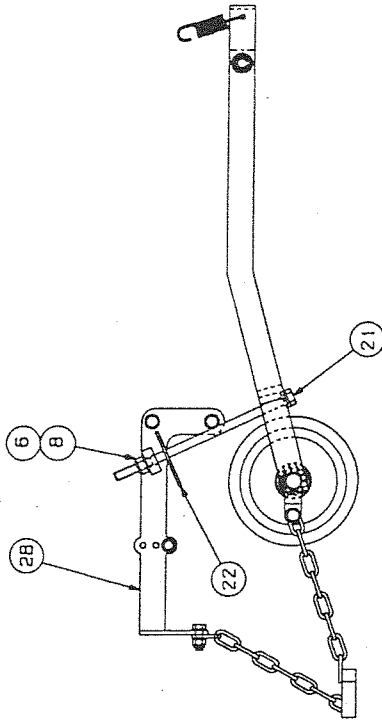


SEED PRESS WHEELS - 125MM WIDE

KITS: 8003992 4LX150 (3 CHAIN)



4 LINE X 150



1	7404870	PRESS WHEEL FRAME W/A	1
2	7703331	ZP SEED P. WHEEL-ASSY	4
3	6903115	WHL. SPACER (1L 2/3L75)	2
4	6903116	WHL. SPACER (2/3L 100)	2
5	6904391	WHL. SPACER-OUT-3L100	2
6	2311090	M10 F WASHER-FORM A	3
7	2306086	M10 X 220 BOLT	1
8	2303109	M10 NYLOC NUT-THIN	4
9	6904390	DRAG COVERER LINK-PM	2
10	6904571	WHL. SPACER (4L 150)	1
11	2311089	M8 F WASHER-FORM A	6
12	2309048	M8 X 25 SET SCREW	4
13	2303092	M8 NYLOC NUT-FULL	4
14	2311091	M12 F WASHER-FORM A	2
15	2306112	M12 X 180 BOLT	1
16	2303128	M12 PHILLDAS NUT-ARK5	1
17	6903801	COVERER SPRING STUD	1
18	2303008	M10 HEX NUT	2
19	2702002	TENSION SPRING	2
20			
21	6904379	ADJUSTER BOLT	1
22	2374637	7/22 P.H.C.P.	1
23	6904369	FISH TAIL BRACKET	1
24	2311088	M8 F WASHER-FORM A	2
25	2309038	M8 X 20 SET SCREW	1
26	2303091	M8 NYLOC NUT-FORM	1
27	7403740	DRAG COVERER-3 CHAIN	1
28	7404656	FISH TAIL BRACKET	1

SEED PRESS WHEELS - 150MM WIDE

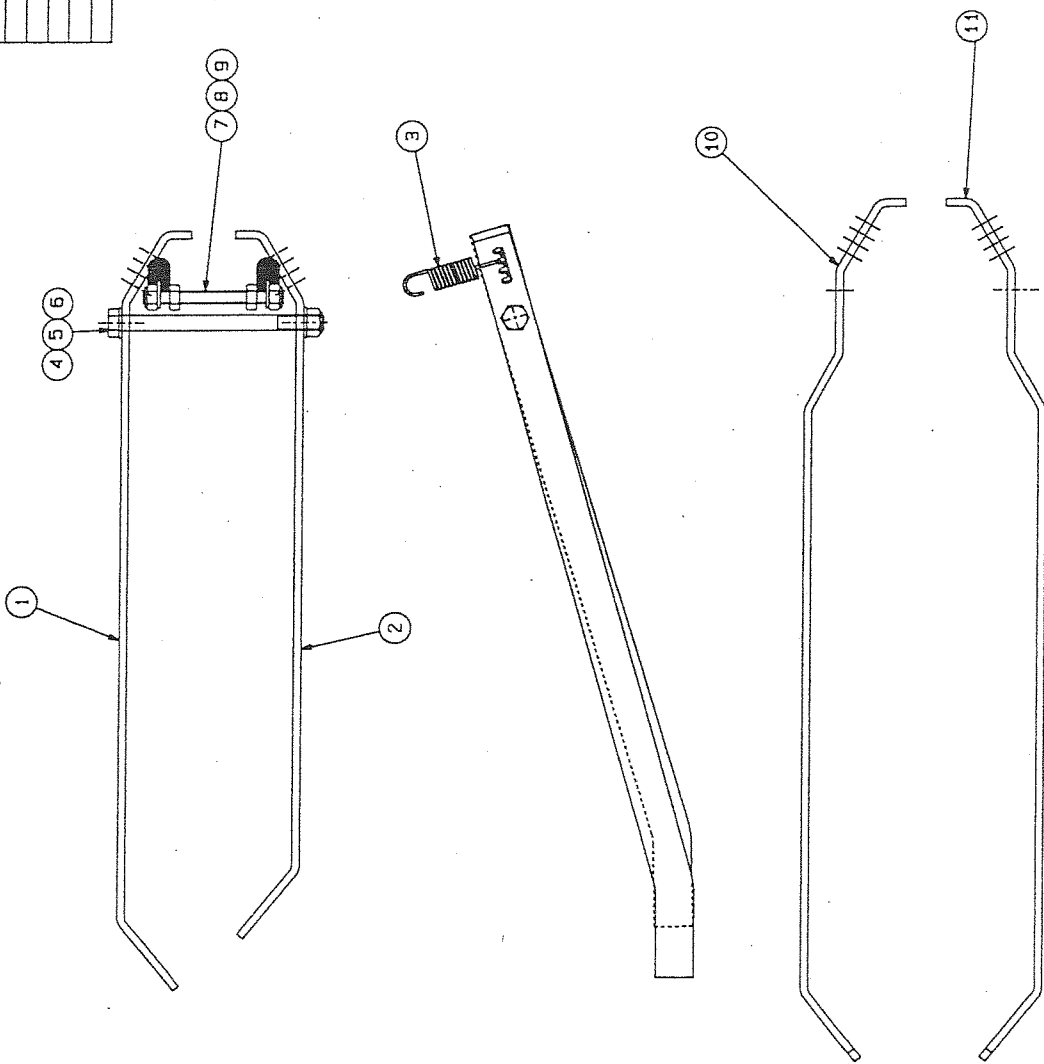
KIT:

8003591  
 8003819  
 8003815

ARM COV. KIT STAGGERED  
 ARM COV. KIT (SPW 2L 100)  
 ARM COV. KIT (SPW 3L 65)

1	6903815	L/H ARM COVERER	1
2	6903836	R/H ARM COVERER S	1
3	2702002	TENSION SPRING	2
4	2306112	M12 X 160	1
5	2311091	M12 WASHER	2
6	2303128	M12 PHILT NUT	1
7	6903801	COVERER SPRING STUD	1
8	2303109	M10 NYLOC NUT	2
9	2303008	M10 NUT	2
10	6904281	ARM COVERER LH **	1
11	6904282	ARM COVERER RH **	1

\*\* FOR USE ON SEED PRESS WHEEL FRAME

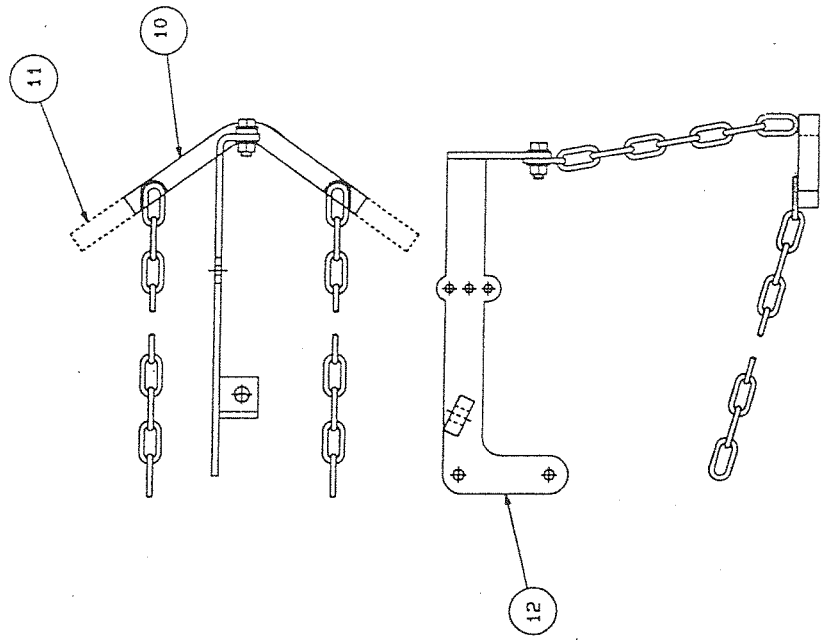
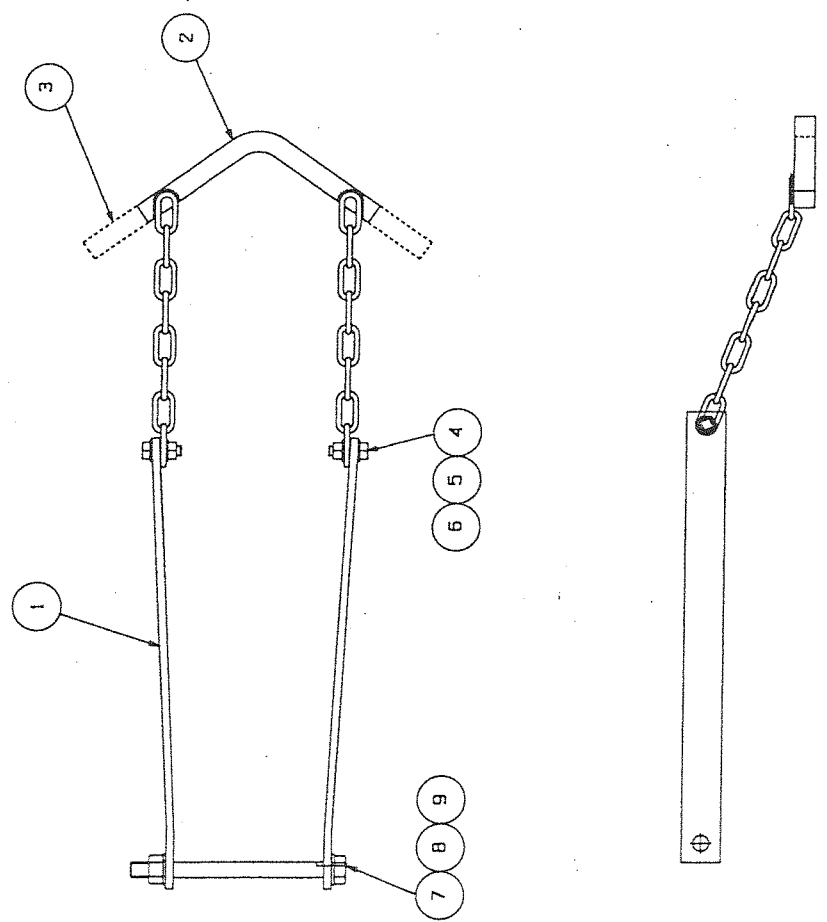


ARM COVERERS

KITS:

- 8003723 DRAG COV. (-325)
- 8003722 DRAG COV. (+325)
- 8003940 DRAG COV. 3 CHAIN (-325)
- 8003941 DRAG COV. 3 CHAIN (+325)

1	6904135	DRAG COVERER ARM	2
2	7404460	DRAG COVERER-MA-325	1
3	7704459	DRAG COVERER-MA+325	1
4	2309048	MB X 25	AS REOD
5	2311134	MB WASHER	AS REOD
6	2303092	MB NYLOC	AS REOD
7	2306112	M12 X 160 BOLT	1
8	2311091	M12 WASHER	2
9	2303128	M12 PHILI NUT	1
10	7403740	DRAG COV. 3C -325	1
11	7403618	DRAG COV. 3C +325	1
12	7404656	FISHTAIL BKT	1

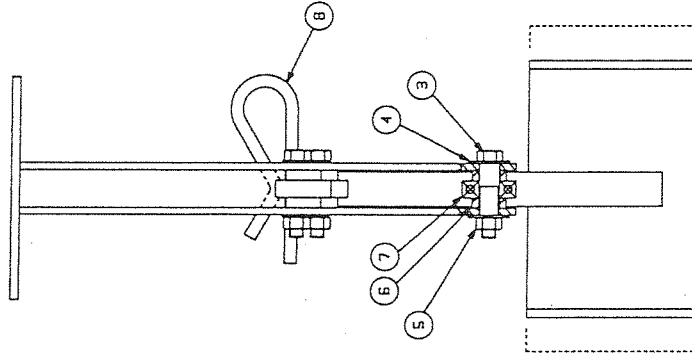
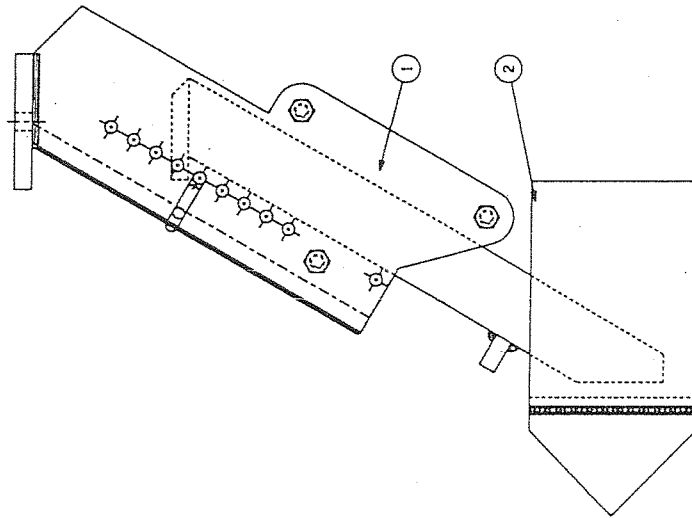


DRAG COVERERS

KITS:

7704140 150 CLOD DEFLECTOR ASSY  
 7704165 190 CLOD DEFLECTOR ASSY

1	7404457	CLOD DEFLECTOR TRACK	1
2	7404458	150 CLOD DEFLECTOR	1
		190 CLOD DEFLECTOR	1
3	2306039	HEX BOLT	3
4	2311089	FLAT WASHER	6
5	2303092	NYLOC NUT	3
6	6904132	BEARING SPACER	6
7	1901101	BALL BEARING	3
8	2705010	LOCKING CLIP	1



CLOD DEFLECTORS

1	1323003	26 RIB POLY-V BELT	1
2	1323004	26 RIB POLY-V BELT	1
3	2215587	SPLIT PIN	1
4	2215613	SPLIT PIN	1
5	2303009	HEXAGON NUT	10
6	2303078	SLOTTED NUT	1
7	2303079	SLOTTED NUT	1
8	2303091	NYLOC NUT-FULL	6
9	2303092	NYLOC NUT-FULL	9
10	2306515	COACH BOLT	2
11	2309047	HEXAGON SCREW	8
12	2309061	HEXAGON SCREW	4
13	2309084	HEXAGON SCREW	2
14	2309094	HEXAGON SCREW	4
15	2311088	FLAT WASHER-FORM A	6
16	2311089	FLAT WASHER-FORM A	15
17	1211091	FLAT WASHER-FORM A	7
18	2311092	FLAT WASHER-FORM A	6
19	2311093	FLAT WASHER-FORM A	1
20	2311094	FLAT WASHER-FORM A	1
21	2311112	FLAT WASHER-FORM B	4
22	2311217	SPRING WASHER	4
23	2316012	HOSE CLIP	2
24	4801007	FAN	1
25	6402007	PLASTIC PLUG 1020 (P)	12
26	6402041	PLASTIC PLUG 10154 (V)	12
27	6404026	HANDWHEEL 302	2
28	6413057	IMP./DRIVE SHAFT KEY	1
29	6902526	VACUUM BAFFLE GUIDE	1
30	6902592	PRESS.FEED HOSE-1200L	1
31	6903048	IMP.SHAFT BRG. SPACER	1
32	6903049	PTO SHAFT BRG. SPACER	1
33	7403438	PRESSURE OUTLET-WA	1
34	7403439	VAC.BAFFLE PLATE-WA	1
35	7403440	PRESSURE ADJUSTER-WA	1
36	7403441	BELT TENSIONER-WA	1
37	7403442	FAN DRIVE CASE-WA	1
38	7403943	DRIVE COVER PLATE-WA	1
39	7403444	12 PORT AIR MANIFOLD	1
40	7403628	18 PORT AIR MANIFOLD	1
41	7703293	TOP BRG.HOUS'G-ASSY	1
42	7703410	BOTTOM BRG.HOUS'G-ASSY	1
43	7703294	IMP.SHAFT-26R-540 PTO	1
44	7703410	IMP.SHAFT-26R-1000 PTO	1
45	7703296	540 PTO SHAFT/PULLEY	1
46	7703394	1000 PTO SHAFT/PULLEY	1
47	6903491	PTO GUARD SHIELD	1
48	2390083	ROOFING BOLT	2
49	4107124	FIRTREE HOSE CONNECTOR	2

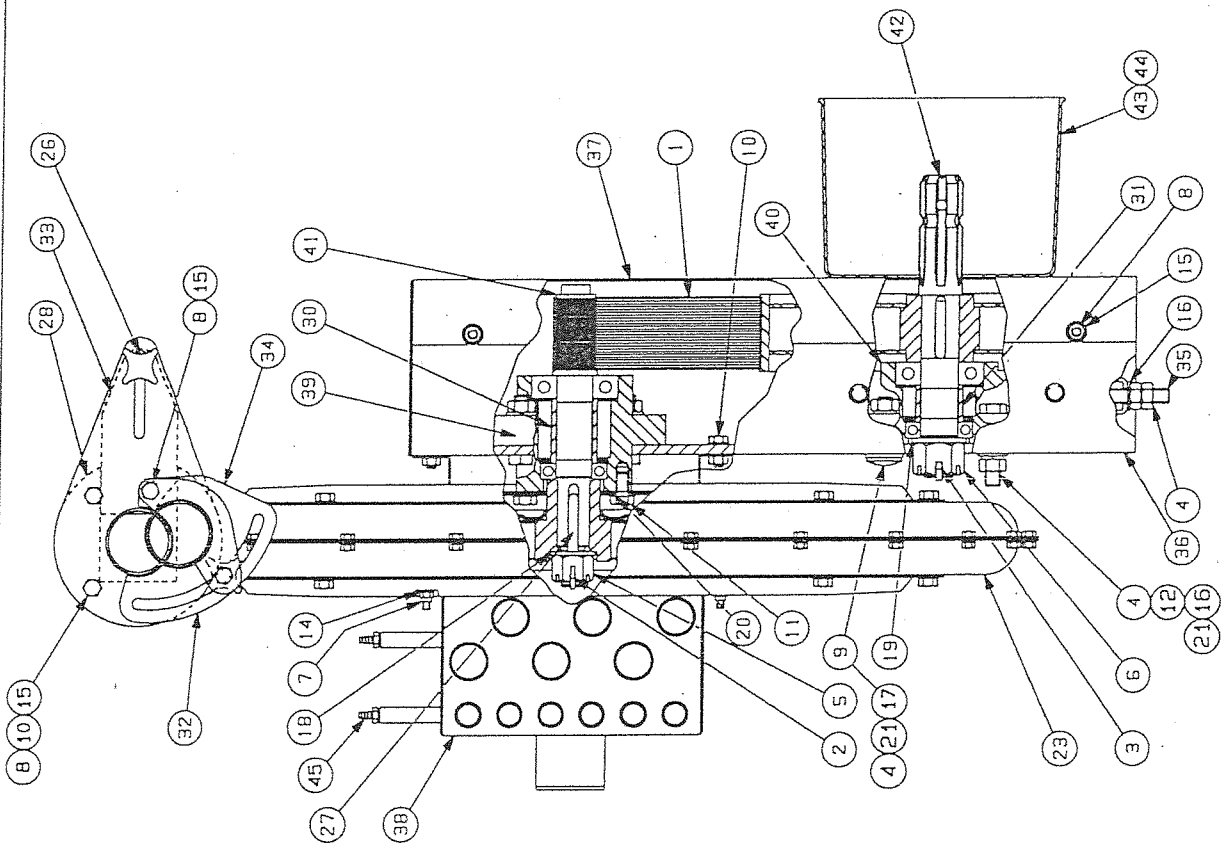
\*: -SEE OTHER PAGES FOR PARTS DETAILS

\*\*:-FOR 540 PTO SPEED

\*\*\*:-FOR 1000 PTO SPEED

13 17 22 24 25 29 44

NOT ILLUSTRATED



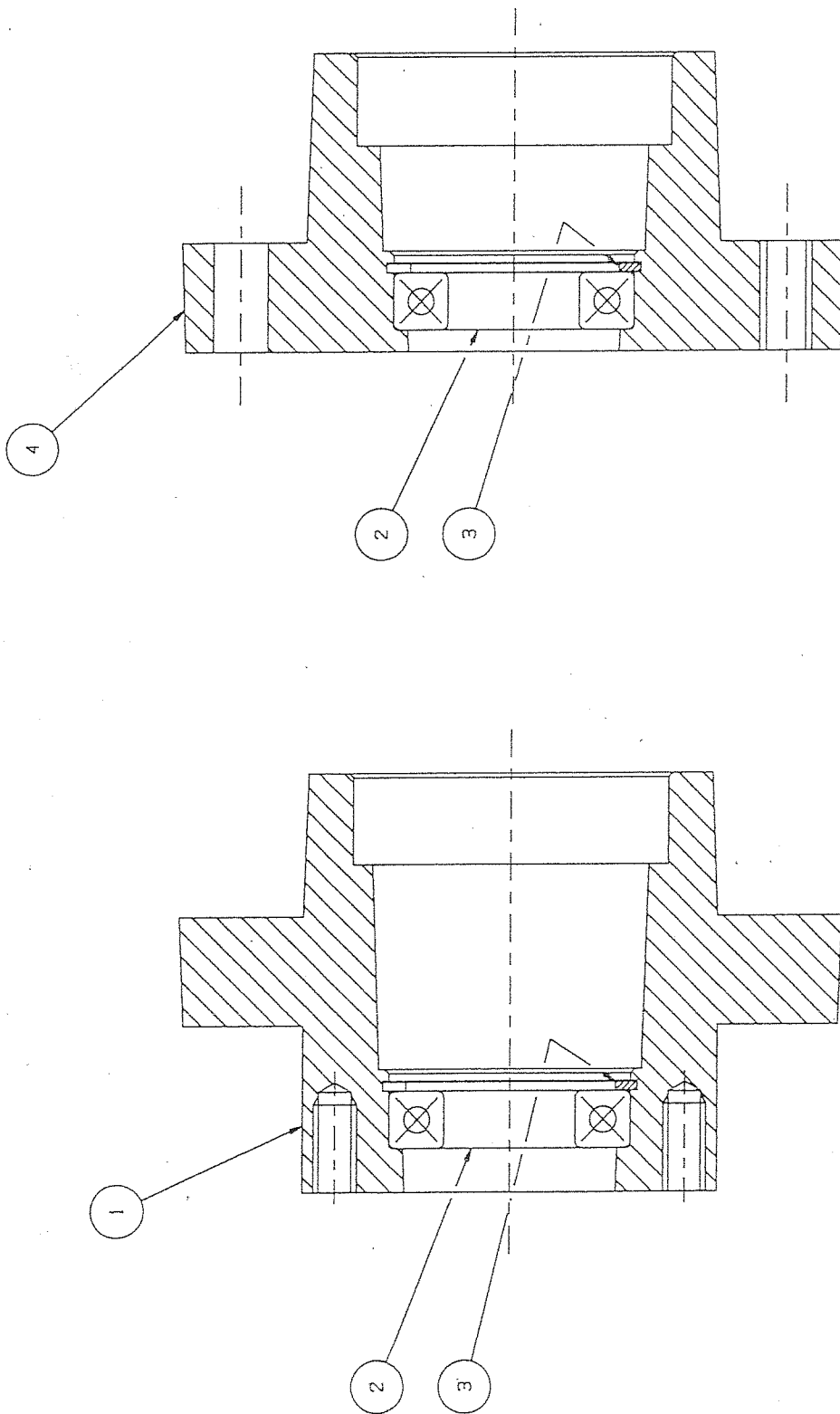
26 RIB FAN - 12 PORTS

18 PORTS

- ASSEMBLIES: -
- 7703297 (TOOL BAR) (540 PTO SPEED) (ALL ITEMS)
- 7703388 (YOKE BAR) (540 PTO SPEED) (ALL ITEMS)
- 7703411 (TOOL BAR) (1000 PTO SPEED) (ALL ITEMS)

7703474 (YOKE BAR) (540 PTO SPEED) (ALL ITEMS)

1	3000709	IMP. SHAFT HOUSING	1
2	1901051	BALL BEARING	1
3	2217208	INTERNAL CIRCLIP	1
4	3000711	PTO SHAFT HOUSING	1

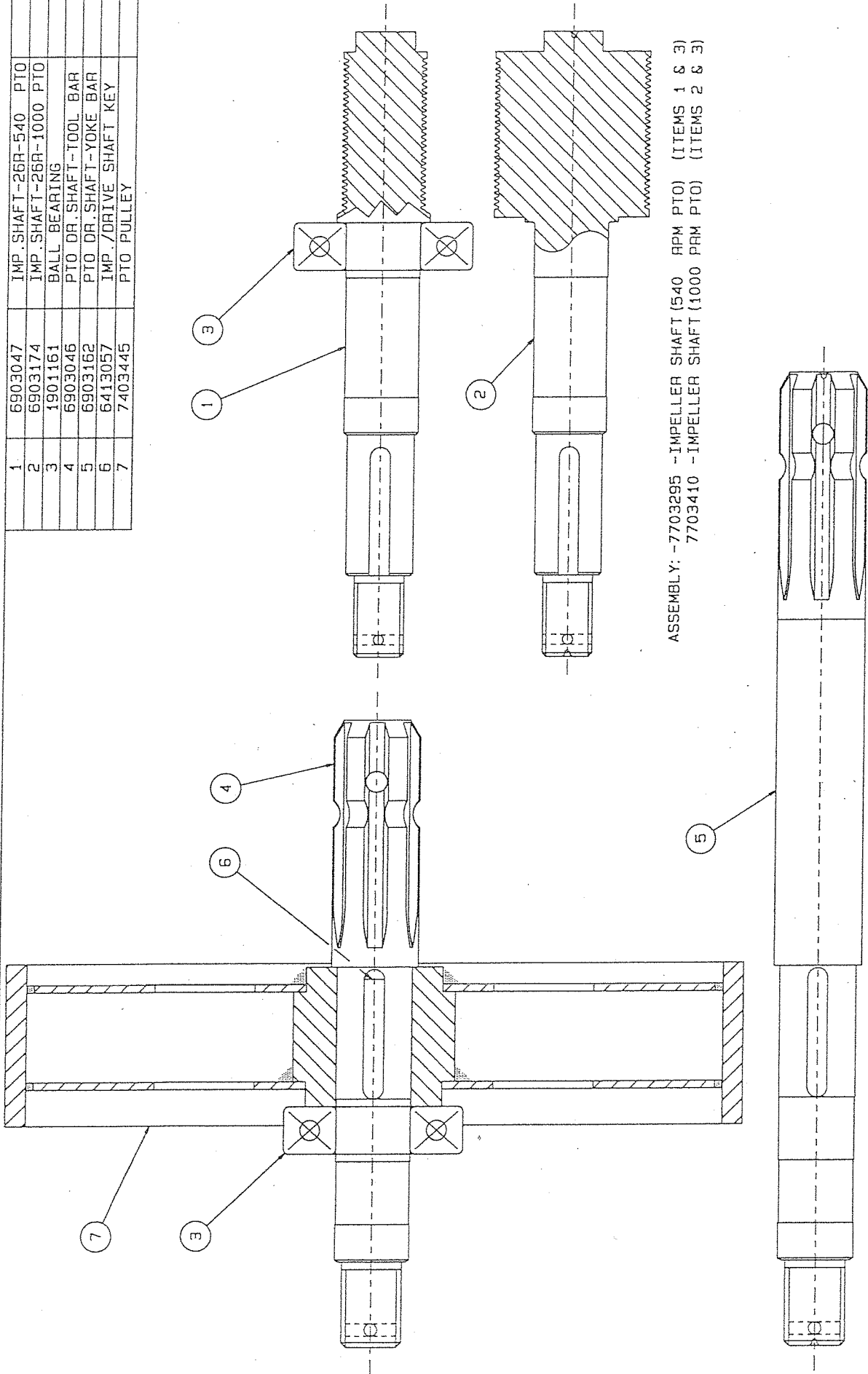


ASSEMBLY: -7703499 TOP BEARING HOUSING

ASSEMBLY: -7703500 BOTTOM BEARING HOUSING

FAN SHAFT HOUSINGS

1	6903047	IMP. SHAFT-26R-540	PTO	1
2	6903174	IMP. SHAFT-26R-1000	PTO	1
3	1901161	BALL BEARING		1
4	6903046	PTO DR. SHAFT-TOOL BAR		1
5	6903162	PTO DR. SHAFT-YOKE BAR		1
6	6413057	IMP./DRIVE SHAFT KEY		1
7	7403445	PTO PULLEY		1



ASSEMBLY: -7703295 -IMPELLER SHAFT (540 RPM PTO) (ITEMS 1 & 3)  
 7703410 -IMPELLER SHAFT (1000 RPM PTO) (ITEMS 2 & 3)

ASSEMBLY: -7703296 -PTO SHAFT & PULLEY (TOOL BAR) (ITEMS 3, 4, 6, 7)  
 7703394 -PTO SHAFT & PULLEY (YOKE BAR) (ITEMS 3, 5, 6, 7)  
 NOTE-FOR HYDRAULIC DRIVE ON YOKE BAR, USE 7703296.

26 RIB FAN SHAFT ASSEMBLIES



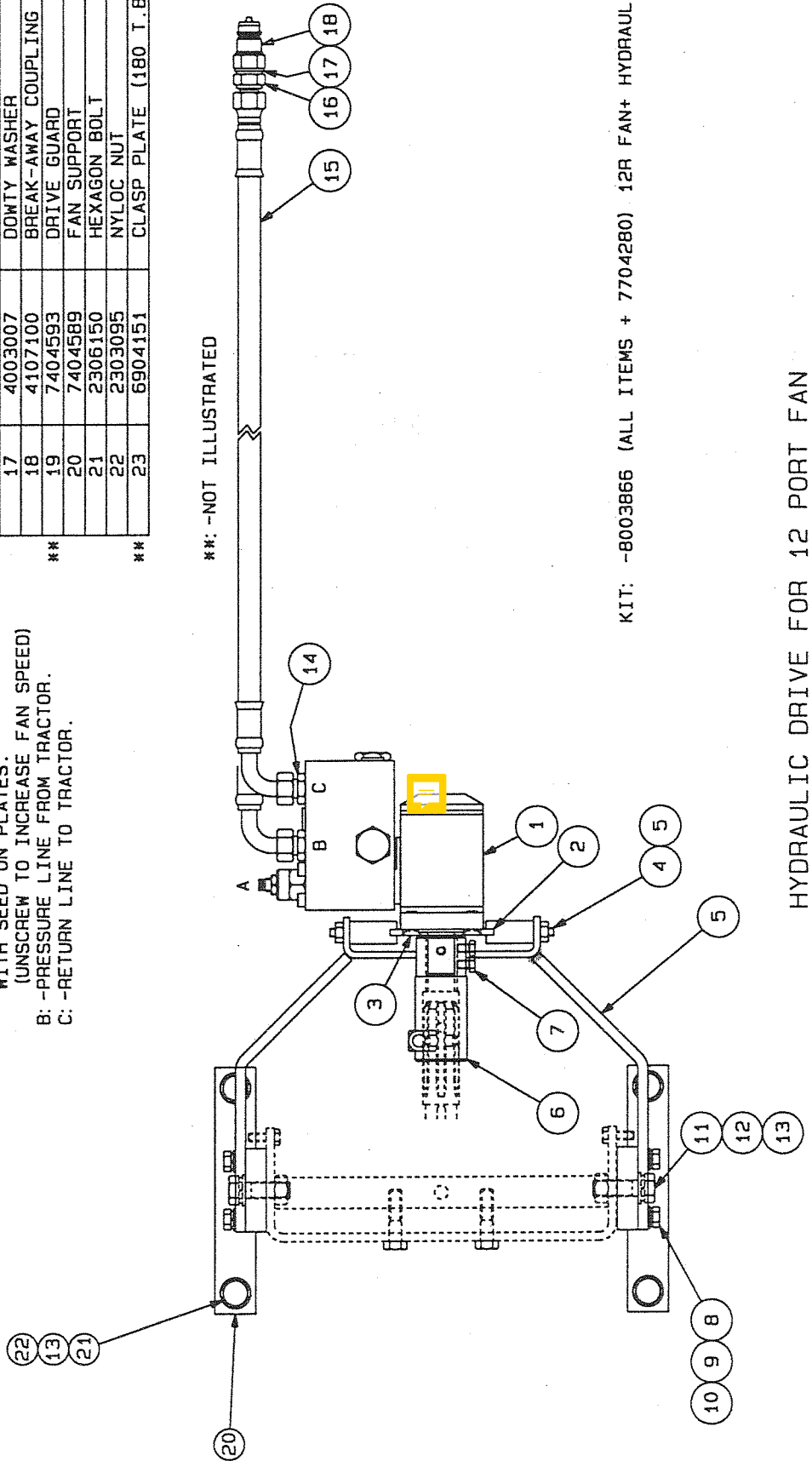
A: -FAN SPEED CONTROL SCREW.  
 SET TRACTOR ENGINE TO WORKING  
 SPEED. ADJUST FAN SPEED TO  
 GIVE THE VACUUM REQUIRED  
 WITH SEED ON PLATES.  
 (UNSCREW TO INCREASE FAN SPEED)  
 B: -PRESSURE LINE FROM TRACTOR.  
 C: -RETURN LINE TO TRACTOR.

1	4102007	HYD. MOTOR & VALVE	1
2	6904098	MOTOR TORQUE ARM	1
3	2372066	COUNTERSUNK SCREW	4
4	6405043	BUFFER C/W WASHER/NUT	2
5	7404650	BUFFER BRACKET	1
6	6904378	PTO/PUMP ADAPTER	1
7	2309045	HEXAGON BOLT	4
8	2309063	HEXAGON BOLT	8
9	2311216	SPRING WASHER	8
10	2311090	FLAT WASHER	8
11	2306128	HEXAGON BOLT	4
12	2311218	SPRING WASHER	4
13	2311092	FLAT WASHER	12
14	4107134	MOTOR/HOSE ADAPTOR	2
15	4106206	HYD. HOSE 3000 LONG	2
16	4107016	MALE/MALE ADAPTOR	2
17	4003007	DOWTY WASHER	2
18	4107100	BREAK-AWAY COUPLING	2
19	7404593	DRIVE GUARD	1
20	7404589	FAN SUPPORT	2
21	2306150	HEXAGON BOLT	4
22	2303095	NYLOC NUT	4
23	6904151	CLASP PLATE (180 T.B)	2

\*\*

\*\*

\*\*:-NOT ILLUSTRATED



KIT: -8003866 (ALL ITEMS + 7704280) 12R FAN+ HYDRAULIC DRIVE

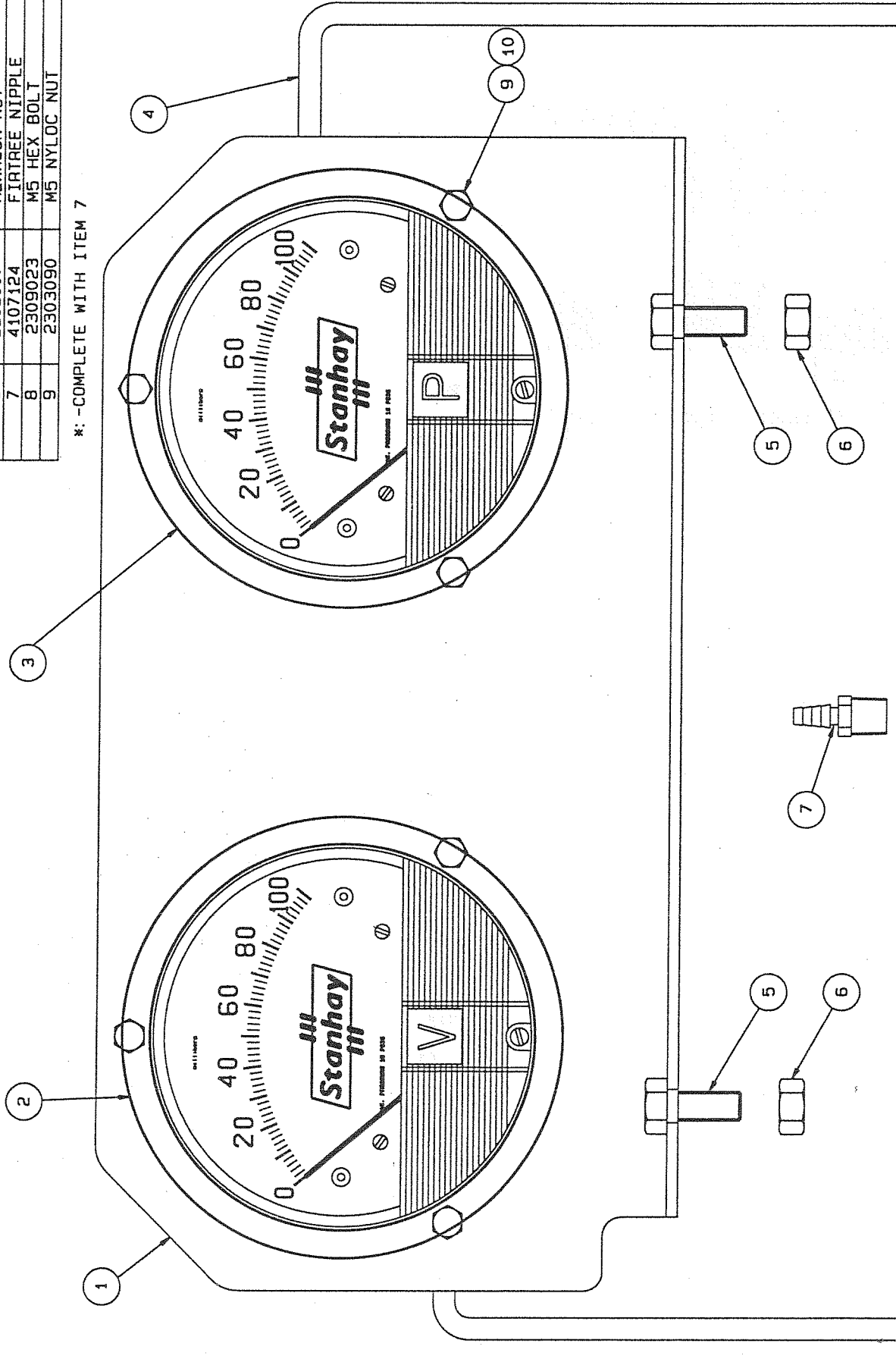
HYDRAULIC DRIVE FOR 12 PORT FAN

KIT: -

8003157 VACUUM & PRESSURE GAUGE KIT (ITEMS 1-6)

1	6904181	GAUGE BRACKET	1
2	7703479	VACUUM GAUGE	1
3	7703480	PRESSURE GAUGE	1
4	4300027	GAUGE PIPE	PER MET.
5	2309047	HEXAGON SCREW	2
6	2303007	HEXAGON NUT	2
7	4107124	FIRTREE NIPPLE	AS REQ.
8	2309023	M5 HEX BOLT	1
9	2303090	M5 NYLOC NUT	1

\*: -COMPLETE WITH ITEM 7



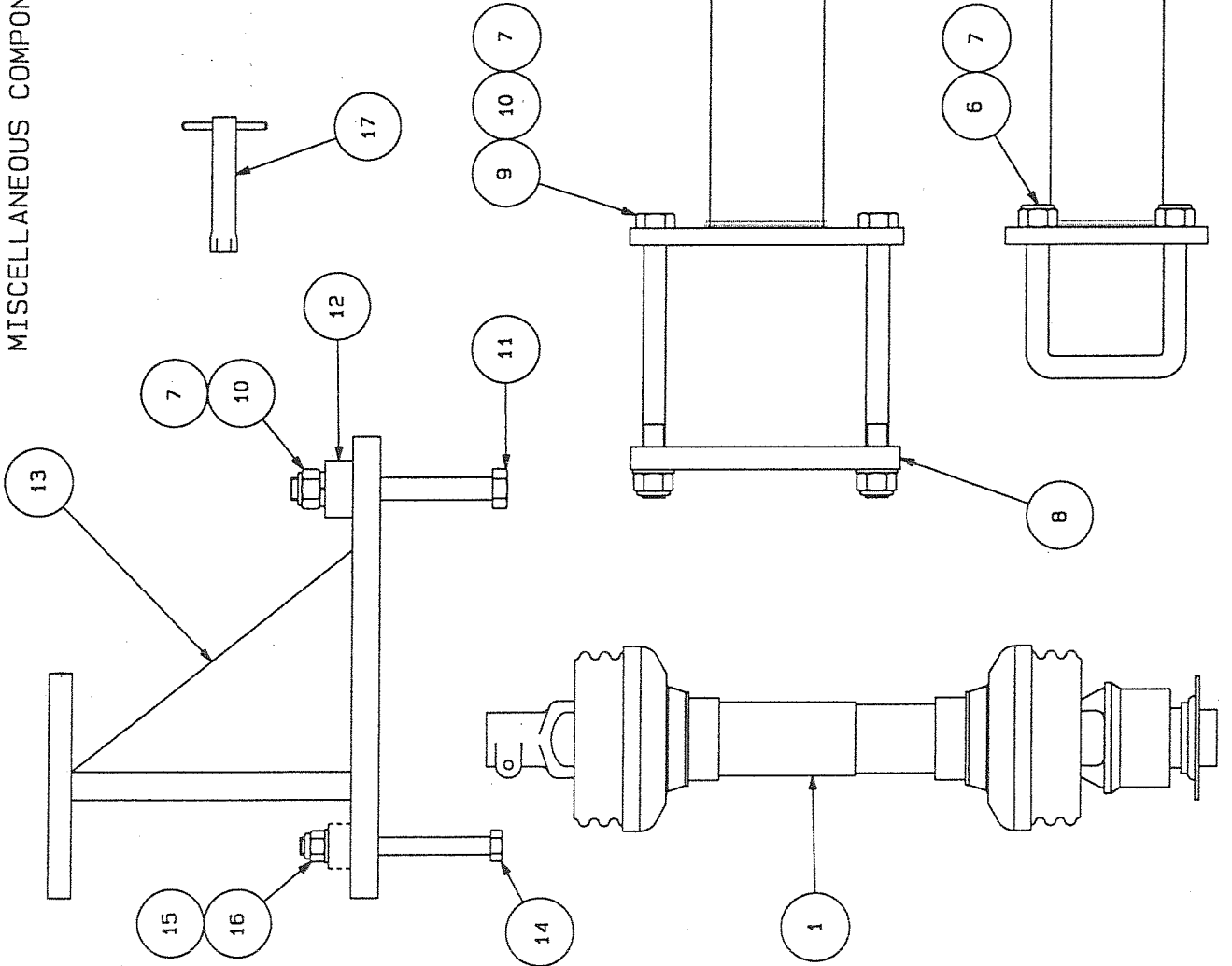
VACUUM & PRESSURE GAUGES

MISCELLANEOUS COMPONENTS

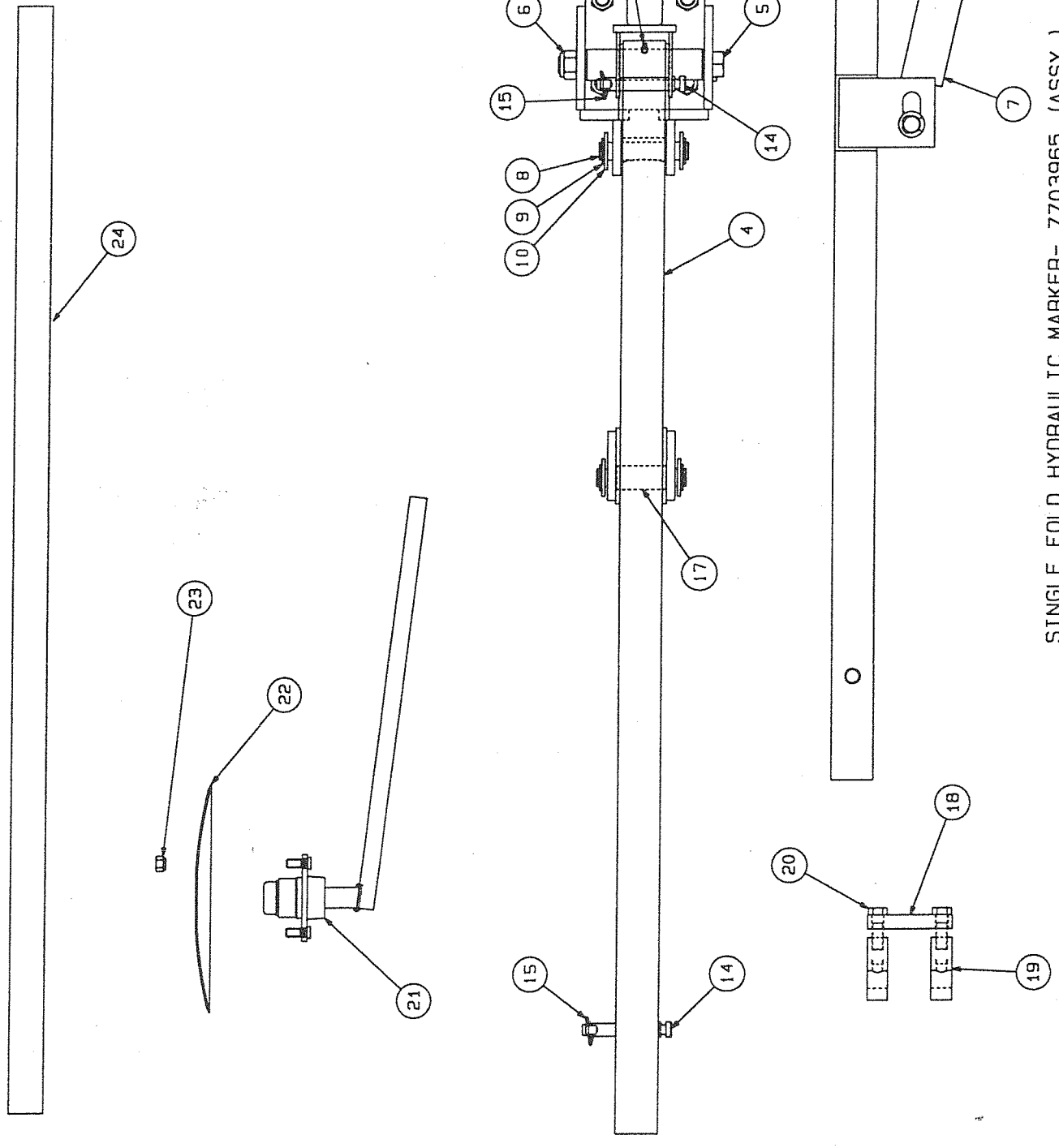
ITEM	PART No.	DESCRIPTION
1	6416033	PTO SHAFT- 610 JC
	6416034	PTO SHAFT- 2200-1050 JC
2	6409469	JACK
3	7404436	JACK BRACKET
4	7404701	MARKER STANDOFF (180 TB)
5	7403728	MARKER STANDOFF (100 TB)
6	6902740	U-BOLT
7	2303011	HEX. NUT
8	6904151	CLASP PLATE
9	2306177	BOLT
10	2311093	FLAT WASHER
11	2306173	BOLT
12	6903489	CLASP PLATE
13	7404775	JOINING MEMBER
14	2306143	BOLT
15	2303095	HEX. NUT
16	2311092	FLAT WASHER
17	7402922	BOX SPANNER

ASSEMBLIES & KITS

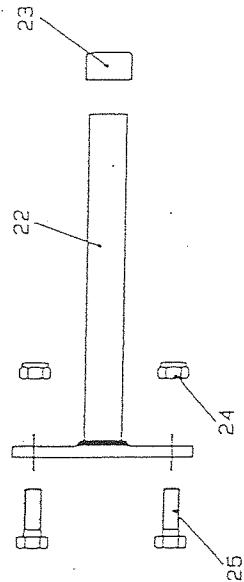
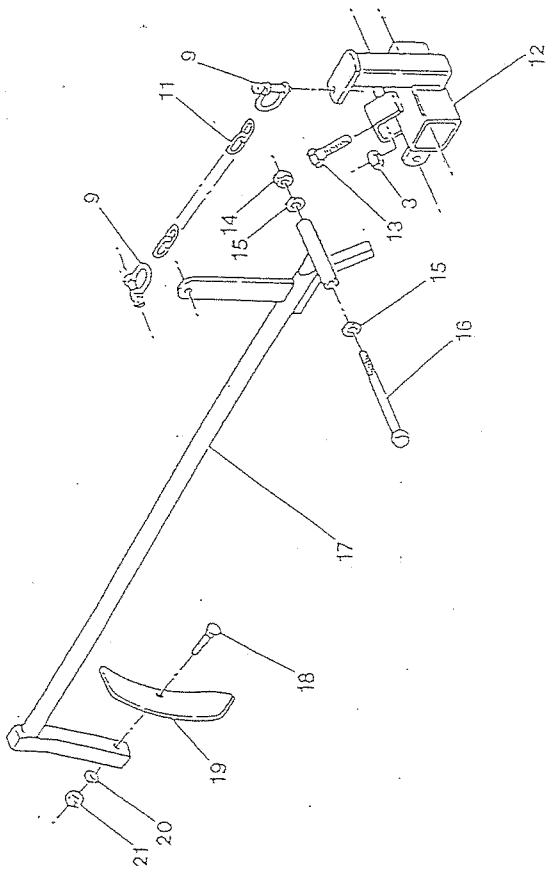
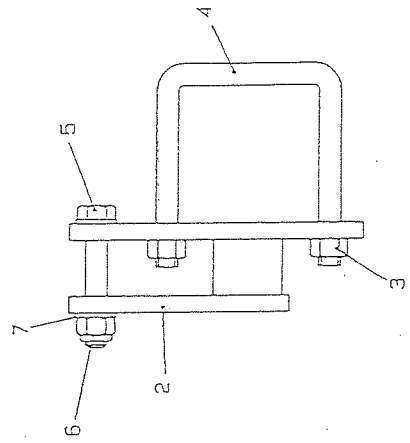
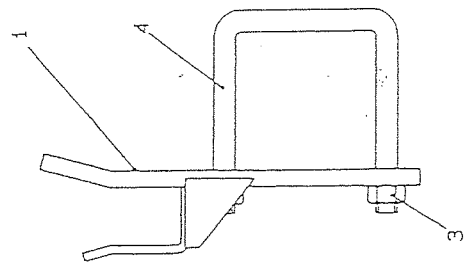
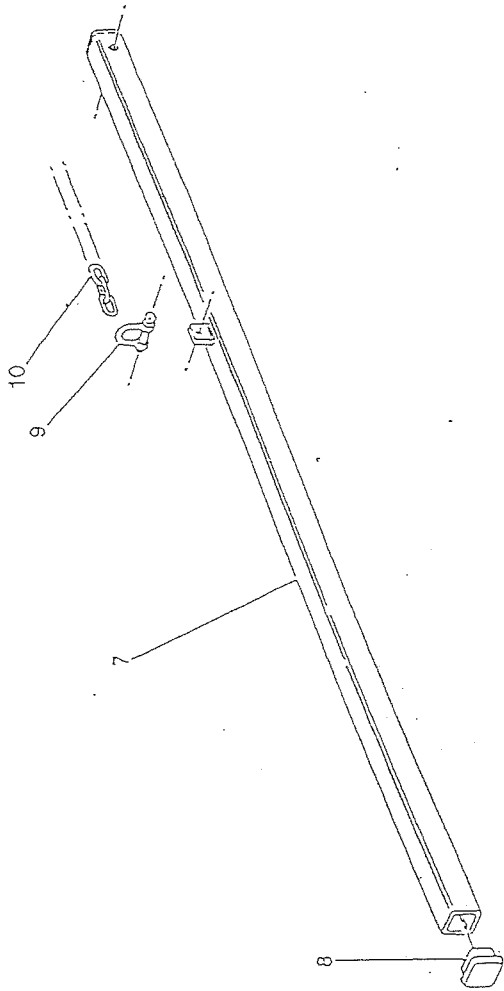
- 8003693 JACK STAND KIT (ITEMS 2, 3)
- 8003905 180 MARKER STANDOFF (ITEMS 4, 7, 8, 9, 10)
- 8003291 PAIR, 100 MARKER STANDOFF (ITEMS 5, 6, 7)
- 8003942 PAIR 100 JOINING MEMBER (ITEMS 7, 10, 11, 12, 14, 15, 16)



ITEM No.	PART No.	DESCRIPTION
1	7403794	MARKER BRACKET-WA
2	6902740	HEADSTOCK U-BOLT
3	2303011	HEX NUT
4	7403795	MARKER ARM
5	2306202	BOLT
6	2303097	NYLOC NUT
7	4105085	HYD. RAM
8	6903315	RAM PIVOT PIN
9	2217036	E-RING
10	2310200	FLAT WASHER
11	6401006	GREASER
12	4003004	DOMTY WASHER
13	4107126	M/M ADAPTOR
14	6403005	TOP LINK PIN
15	2314759	LINCH PIN & CHAIN
16	6402021	RHS INSERT
17	6903589	RAM PIN SPACER
18	6903318	CLAMP YOKE
19	6903317	CLAMP PLATE
20	2306128	BOLT
21	7404215	MARKER DISK HUB
22	6000122	MARKER DISC
23	5700340	WHEEL NUT
24	6903444	MARKER BEAM 1.9M

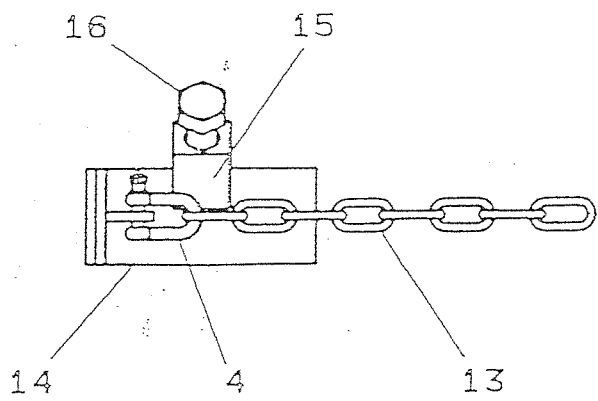
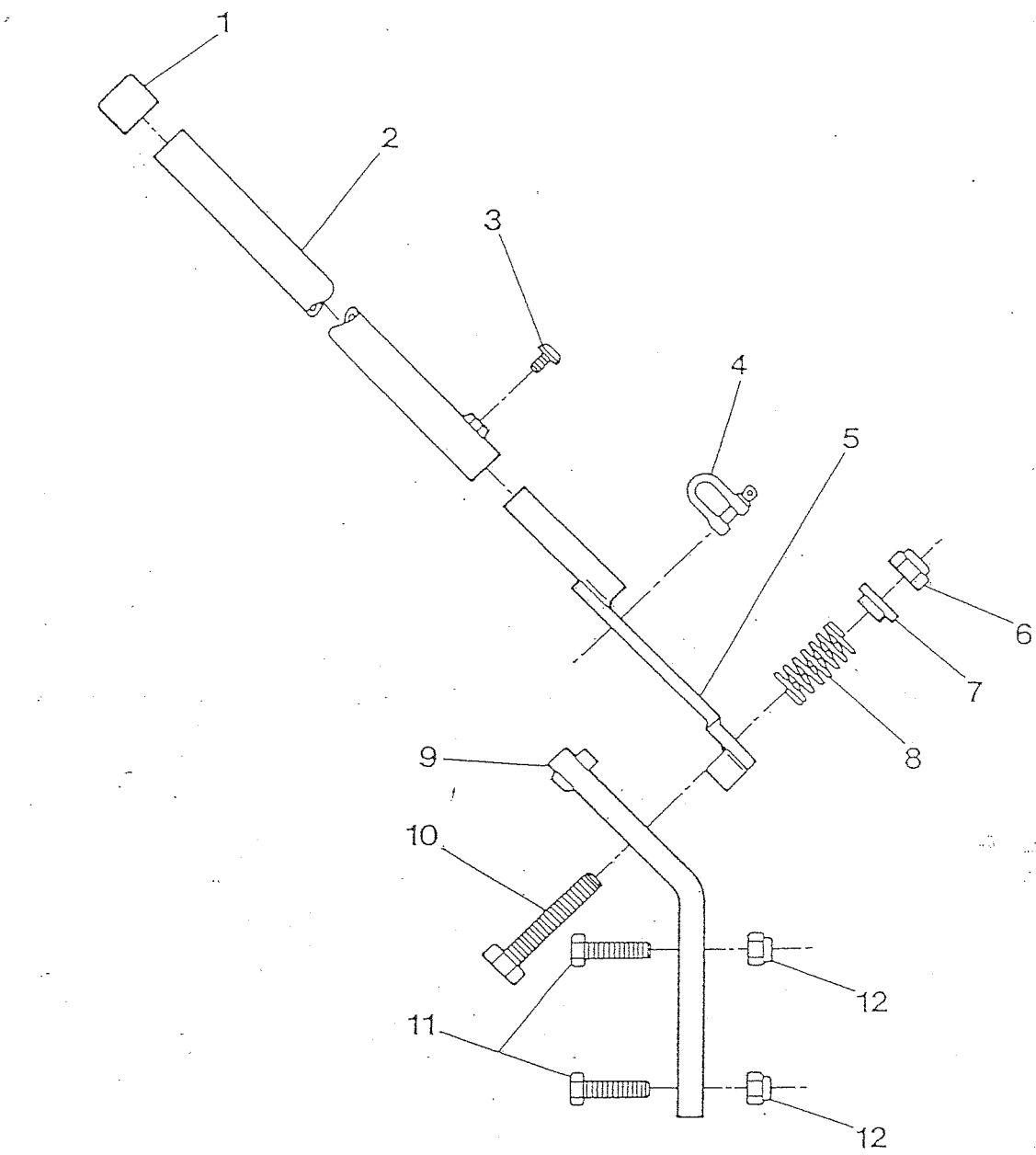


SINGLE FOLD HYDRAULIC MARKER- 7703965 (ASSY.)



MANUAL MARKER, GUIDE AND HINGE.

Item No:	Part No:	Description	ASSEMBLIES AND KITS
1	7403117	Marker Guide	7702834
2	7403116	Marker Pivot	Marker Arm and Bracket Assembly (9, 11-21)
3	2303010	Hex. Nut	8002971
4	7002006	U-Bolt	Manual Marker Kit Complete (1-24)
5	2306135	Bolt	
6	2303095	Nyloc Nut	
7	7403379	Marker Beam	
8	6402018	RHS. Insert	
9	6408002	D-Shackle	
10	6905077	Chain 7M	
11	6902599	Chain 8 Links	
12	7402521	Marker Arm Bracket	
13	2306128	Bolt	
14	2303094	Nyloc Nut	
15	2311091	Flat Washer	
16	2306109	Bolt	
17	7402522	Marker Arm	
18	2306489	Coach Bolt	
19	6000002	Harrow Point	
20	2311216	Spring Washer	
21	2303008	Hex. Nut	
22	7403453	Marker Beam Support	
23	6403011	Plastic Ferrule	
24	2303110	Nyloc Nut - Thin	

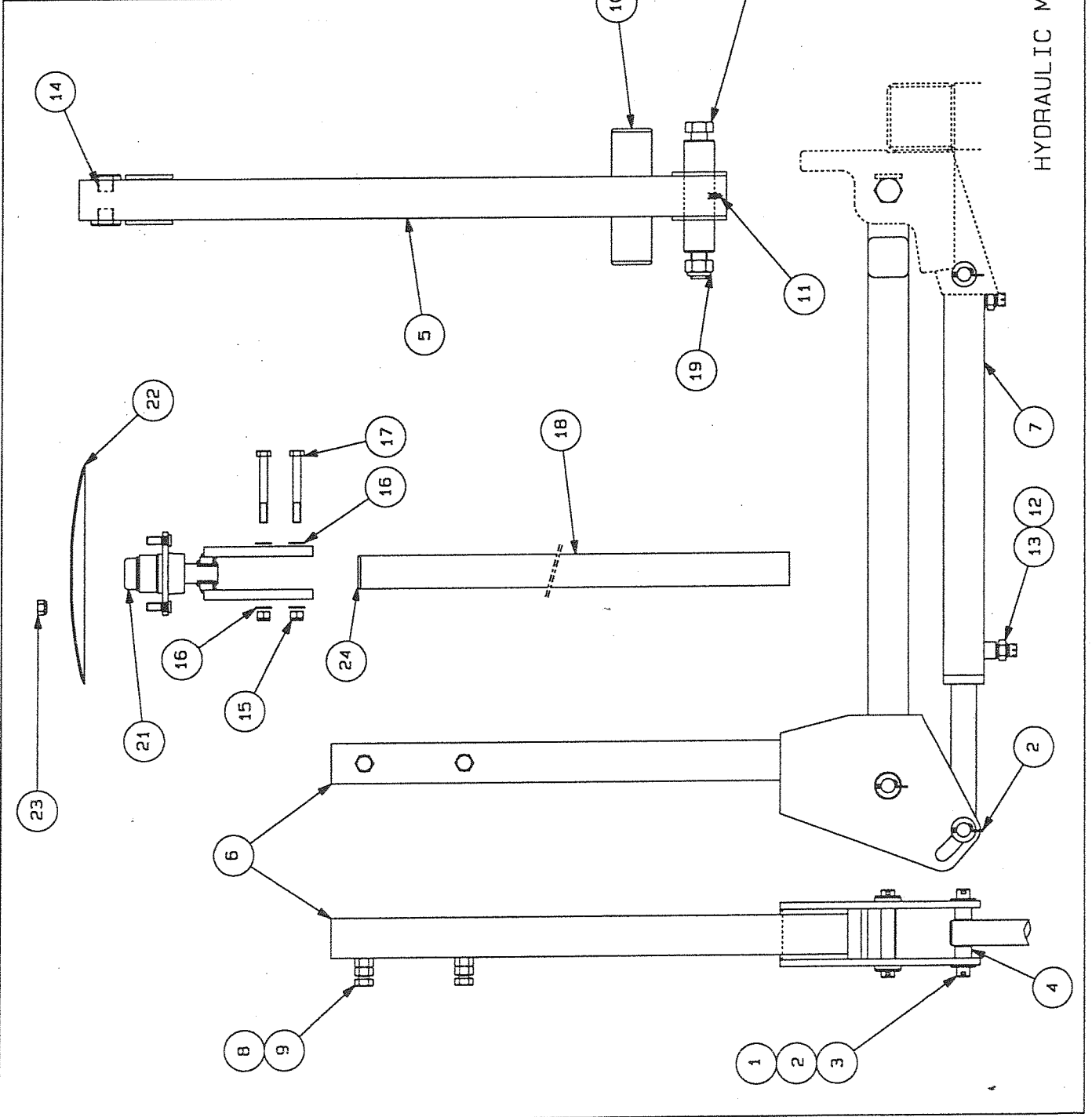


MARKER CHANGE-OVER HANDLE

Item No:	Part No:	Description
1	6403011	Plastic Ferrule
2	7403034	Marker Handle
3	2377079	Socket Set Screw
4	6408002	D-Shackle
5	7403035	Marker Lever
6	2303095	Nyloc Nut
7	2810209	Spring Cap
8	2701050	Clutch Spring
9	7403033	Handle Pivot
10	2305134	Bolt
11	2306098	Bolt
12	2303110	Nyloc Nut - Thin
13	6900985	Connecting Chain
14	7702864	Marker Beam Lifter (c/w 15)
15	2309077	Set Screw
ASSEMBLIES AND KITS		
	7702925	Marker Lever and Pivot (1-12)
	8002686	Marker Change-Over Kit Complete (1-15)



ITEM NO.	PART NO.	DESCRIPTION
1	6903479	RAM PIN
2	2215587	SPLIT PIN
3	2311093	FLAT WASHER
4	6903535	RAM PIN SPACER
5	7403879	MARKER ARM
6	7403880	MARKER ARM EXT.
7	4105092	HYDRAULIC RAM
8	2309094	SET SCREW
9	2303010	HEXAGON NUT
10	6402015	RHS INSERT
11	6401006	GREASER
12	4003004	DOMTY WASHER
13	4107122	M/M ADAPTOR (REST.)
14	2008017	BEARING
15	2303094	NYLOC NUT
16	2311113	FLAT WASHER
17	2305106	BOLT
18	6903526	MARKER BEAM
19	2303097	NYLOC NUT
20	2306202	BOLT
21	7404215	MARKER DISK HUB
22	6000122	MARKER DISC
23	5700340	WHEEL NUT
24	6402021	RHS INSERT

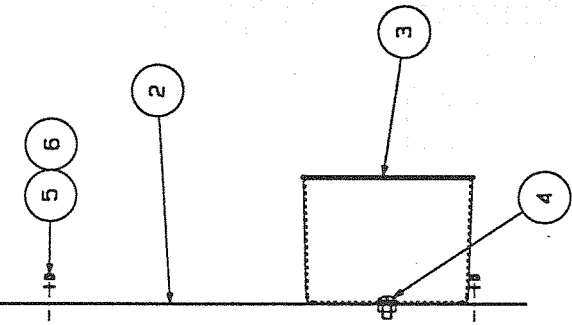


HYDRAULIC MARKERS - TWIN FOLD

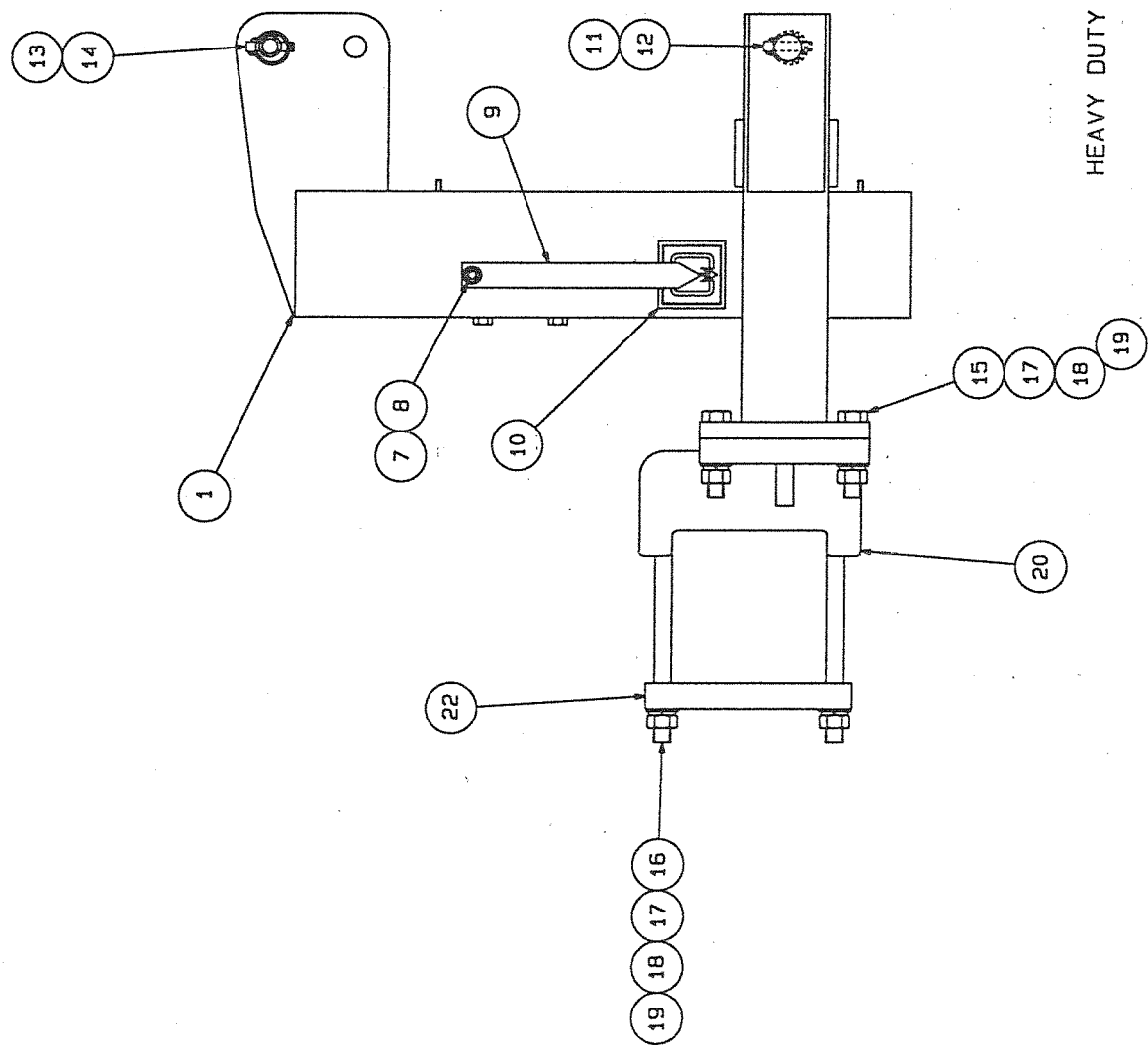
KITS:  
 8003994 PAIR HEADSTOCK BRACKETS (ITEMS 15-22)  
 7704375 STAR 12ROW FAN/ HEADSTOCK (ITEMS 1-22 + 7704380)  
 7704380 26 RIB FAN TO SUIT H.D HEADSTOCK

ITEM	PART No.	DESCRIPTION	QTY.
1	7403962	CAT. 2 HEADSTOCK	1
2	7403944	DRIVE COVER PLATE	1
3	6903491	PTO GUARD SHIELD	1
4	2390083	ROOFING BOLT	2
5	2303107	NYLOC NUT	2
6	2303107	FLAT WASHER	2
7	2303127	PHILIDAS NUT	1
8	2311090	FLAT WASHER	2
9	6903866	PENDULUM	1
10	6406371	S/A LABEL	1
11	2314754	LYNCH PIN + CHAIN	2
12	2314812	BOTTOM LINK PIN	2
13	2314759	LYNCH PIN	1
14	2314813	TOP LINK PIN	1
15	2306802	HEXAGON BOLT	4
16	2306805	HEXAGON BOLT	4
17	2311093	FLAT WASHER	8
18	2311219	SPRING WASHER	8
19	2303469	HEXAGON NUT	8
20	7404815	H.STOCK BRACKET L/H (1800)	1
21	7404816	H.STOCK BRACKET R/H (180)	1
22	6904152	CLASP PLATE (180)	2

\*\*



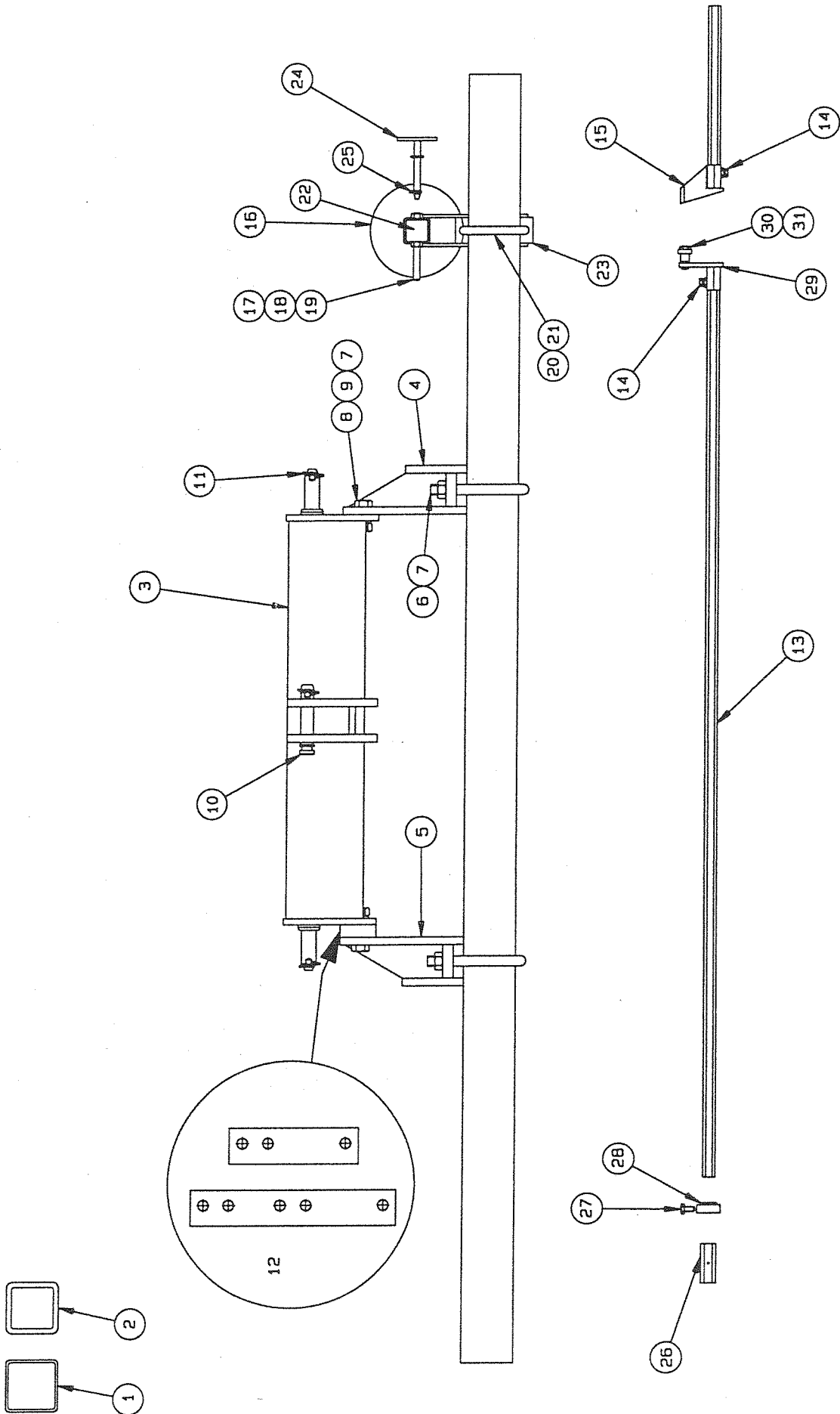
\*\* : ITEM NOT SHOWN



HEAVY DUTY CAT. 2 HEADSTOCK/ BRACKETS

HEADSTOCK, TOOLBARS, SHAFTS ETC.

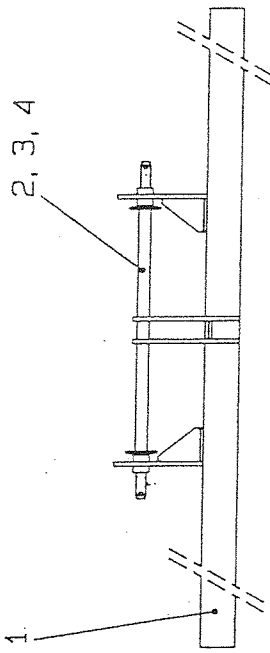
ITEM NO	PART NO	DESCRIPTION	13			
1	6904491	1.00M TOOLBAR (100X100 5T)	6902252	4.50M DRIVE SHAFT		
	6904557	1.20M TOOLBAR	6902921	4.00M DRIVE SHAFT		
	6904187	1.40M TOOLBAR	6902982	3.50M DRIVE SHAFT		
	6902856	1.50M TOOLBAR	6902920	3.00M DRIVE SHAFT		
	6902857	2.00M TOOLBAR	6902351	2.75M DRIVE SHAFT		
	6903127	2.15M TOOLBAR	6902357	2.50M DRIVE SHAFT		
	6902743	2.50M TOOLBAR	6902322	2.15M DRIVE SHAFT		
	6902929	2.70M TOOLBAR	6902469	2.00M DRIVE SHAFT		
	6902744	3.00M TOOLBAR	6902321	1.80M DRIVE SHAFT		
	6902745	3.50M TOOLBAR	6902374	1.72M DRIVE SHAFT		
	6902746	4.00M TOOLBAR	6902102	1.50M DRIVE SHAFT		
	6902747	4.50M TOOLBAR	6903943	1.25M DRIVE SHAFT		
			6903888	1.10M DRIVE SHAFT		
			6904188	1.00M DRIVE SHAFT		
2	6904512	2.00M TOOLBAR (100X100 10T)	2309045	SET SCREW		
	6904558	3.15M TOOLBAR	7404574	COUPLING- FIN HALF		
	6903477	3.50M TOOLBAR	7402141	PARKING STAND		
	6903478	4.00M TOOLBAR	6902100	STAND HANDLE		
	6903475	4.50M TOOLBAR	2303009	HEX. NUT		
	6902748	5.00M TOOLBAR	2311217	SPRING WASHER		
	6902749	5.50M TOOLBAR	7002006	U- BOLT		
	6902917	6.10M TOOLBAR	2303010	HEX. NUT		
	6903163	6.50M TOOLBAR	7403258	STAND BRACKET		
	6903353	7.00M TOOLBAR	6402018	PLASTIC INSERT		
	6903302	8.00M TOOLBAR	7402238	SUPPORT PIN		
			2316033	R- CLIP		
			7700089	MUFF COUPLING		
			2377104	SKT. HEAD SCREW		
	3	7403031	CAT. 2 HEADSTOCK	6902352	LOCKING COLLAR	
	4	7403331	H. STOCK BRACKET L/H	7404573	COUPLING- BEARING HALF	
	5	7403332	H. STOCK BRACKET R/H	2303044	LOCKNUT	
	6	6902886	U-BOLT	1901045	BALL BEARING	
	7	2303011	HEX. NUT			
	8	2309108	BOLT (FIT WITH SPACER PLATE)			KITS AND ASSEMBLIES
	9	2306163	BOLT (FIT WITH SPACER PLATE- ITEM 12)			
	10	2311219	SPRING WASHER			
	11	2314813	TOP LINK PIN			
	12	2314780	LINCH PIN			
		6904267	H. STOCK BRACKET SPACER (STANDARD)	8002899	HEADSTOCK BRACKETS -PAIR (ITEMS 4-5)	
	6904521	H. STOCK BRACKET SPACER (LONG)	8003792	COUPLING DRIVE KIT (ITEMS 14, 15, 29, 30, 31)		
			7703757	LOCKING COLLAR (ITEMS 27, 28)		
			7703169	PARKING STAND ASSEMBLY (ITEMS 16-29)		



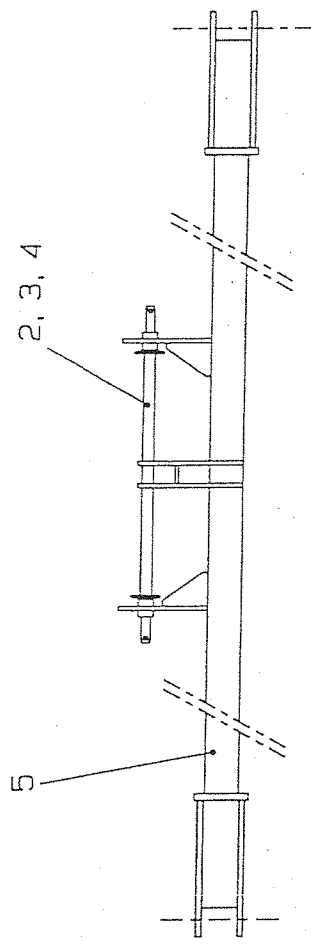
HEADSTOCK, TOOLBARS & SHAFTS

YOKE BARS

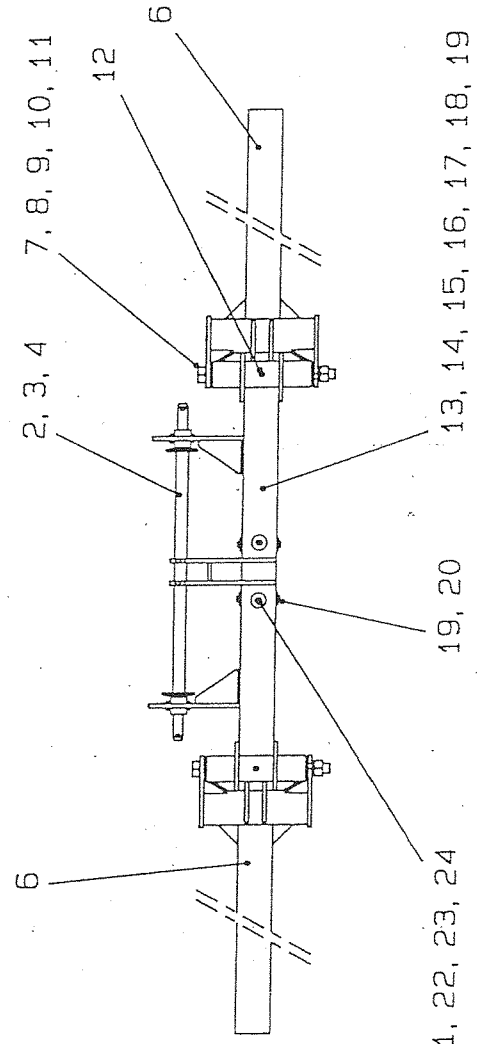
Item No:	Part No:	Description	ASSEMBLIES AND KITS
1	7402867	4.50M Rigid Yoke Bar	4.50M Rigid Yoke Bar
2	7402581	Lower Hitch Pin	Complete
3	2306131	Bolt	4.50M End Tow Yoke Bar
4	2303095	Nyloc Nut	Complete
5	7402868	4.50M End Tow Yoke Bar	4.50M Folding Yoke Bar
6	7402646	Folding Yoke Bar Wing	Complete
7	6902242	Hinge Bush	Seal Kit (For 15)
8	6902243	Hinge Spacer	
9	7402579	Hinge Bolt	
10	2303013	Hex.Nut	
11	2311221	Spring Washer	
12	6401006	Grease Nipple	
13	7402500	Folding Yoke Bar Centre	
14	7002016	Ram Pin-S	
15	4105065	Hydraulic Ram	
16	4003004	Dowty Washer	
17	4107122	Adaptor Restrictor	
18	2314801	Towing Pin	
19	2215586	Split Pin	
20	7002015	Ram Pin-L	
21	4003007	Dowty Washer	
22	4107016	Adaptor	
23	4107100	Break Away Coupling	
24	4106175	Hose	



RIGID YOKE BAR



END TOW YOKE BAR

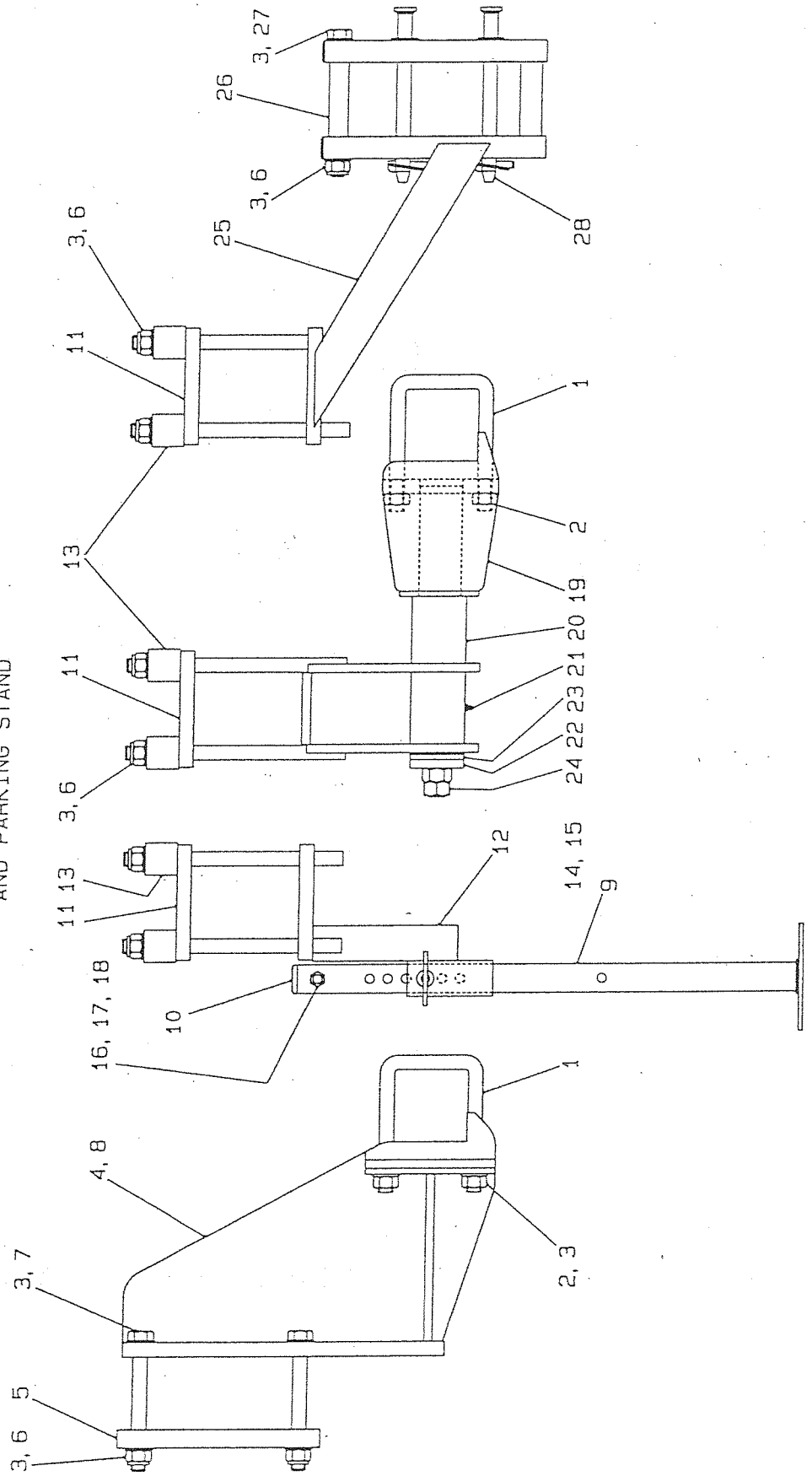


FOLDING YOKE BAR

FIXED BRACKETS, PIVOTS, PIVOT LIMITERS  
AND PARKING STAND

Item No:	Part No:	Description	Item No:	Part No:	Description
1	6902886	U-Bolt	27	2306174	Bolt
2	2303011	Hex.Nut	28	7403333	Pivot Limiter Pin
3	2311093	Flat Washer	29	2314759	Linch Pin
4	7403533	Fixed Bracket L/H	30	6903927	Clasp Plate
5	6902916	Yoke Bar Clasp Plate	31	7703989	YB/TB Bracket Assy
6	2303096	Nyloc Nut			ASSEMBLIES AND KITS
7	2306173	Bolt			
8	7403534	Fixed Bracket R/H		7702836	Folding Yoke Bar Parking Stand (3, 6, 9-18)
9	7402141	Parking Stand		7702837	Rigid Yoke Bar Parking Stand (3, 6, 9-12, 14-18)
10	6402018	RHS. Insert		7703395	Yoke Bar Pivot Part Assembly (19-24)
11	6902555	Yoke Bar Clasp Plate		7703205	Pivot Limiter Pin Assembly (28, 29)
12	7402923	Parking Stand Bracket		8003124	Folding Yoke Bar Pivot Kit (1-3, 6, 11, 13, 19-24)
13	6902579	Spacer		8003125	Rigid Yoke Bar Pivot Kit (1-3, 6, 11, 19-24)
14	7402238	Support Pin		8003126	Folding Yoke Bar Pivot Limiter Kit (3, 6, 11, 13, 25-29)
15	2316033	R-Clip		8003127	Rigid Yoke Bar Pivot Limiter Kit ((3, 6, 11, 25-29)
16	6902100	Stand Handle		8003555	YB/TB Bracket Assy (3, 6, 7, 11, 30&31)
17	2303009	Hex.Nut			
18	2311217	Spring Washer			
19	7403531	Pivot Spindle			
20	7402862	Pivot Hub			
21	6401006	Grease Nipple			
22	7402453	Nut			
23	6902241	Thrust Washer			
24	2303012	Hex.Nut			
25	7403532	Pivot Limiter			
26	6902983	Spacer			

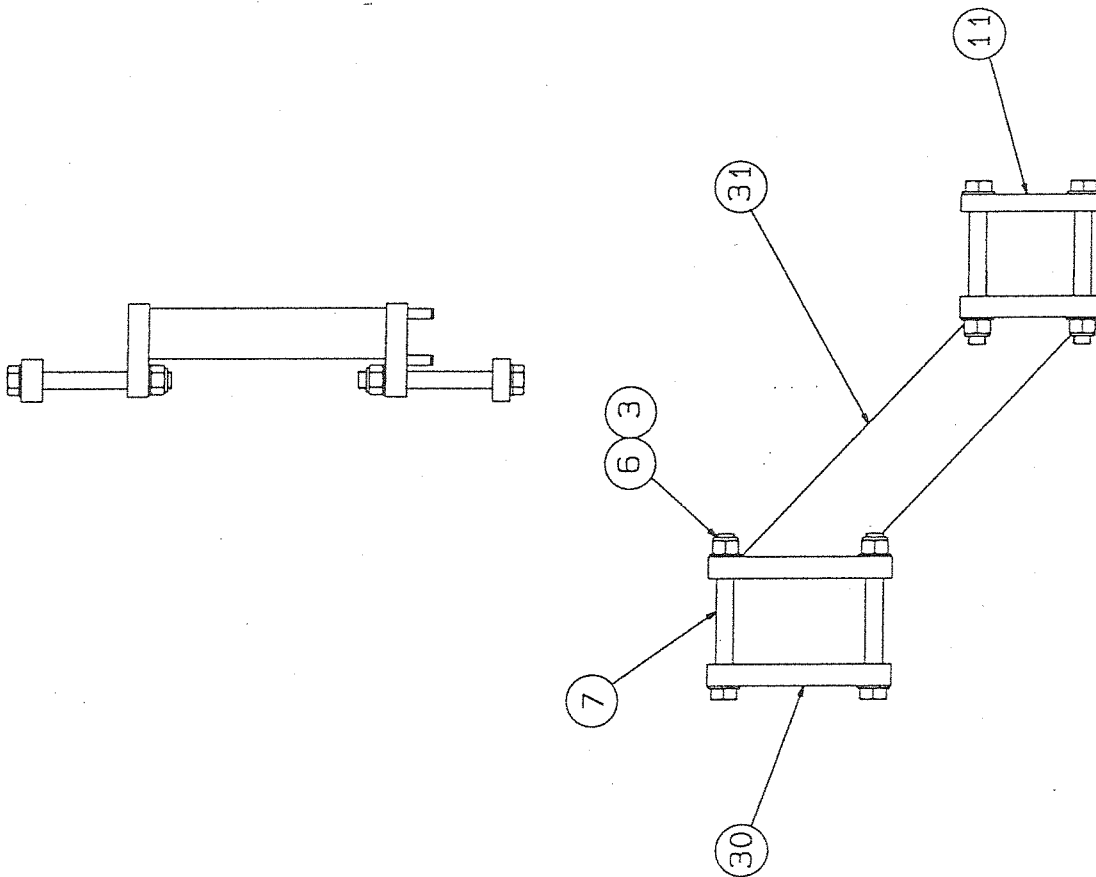
12 ROW YOKE BARS  
 FIXED BRACKETS, PIVOTS, PIVOT LIMITERS  
 AND PARKING STAND





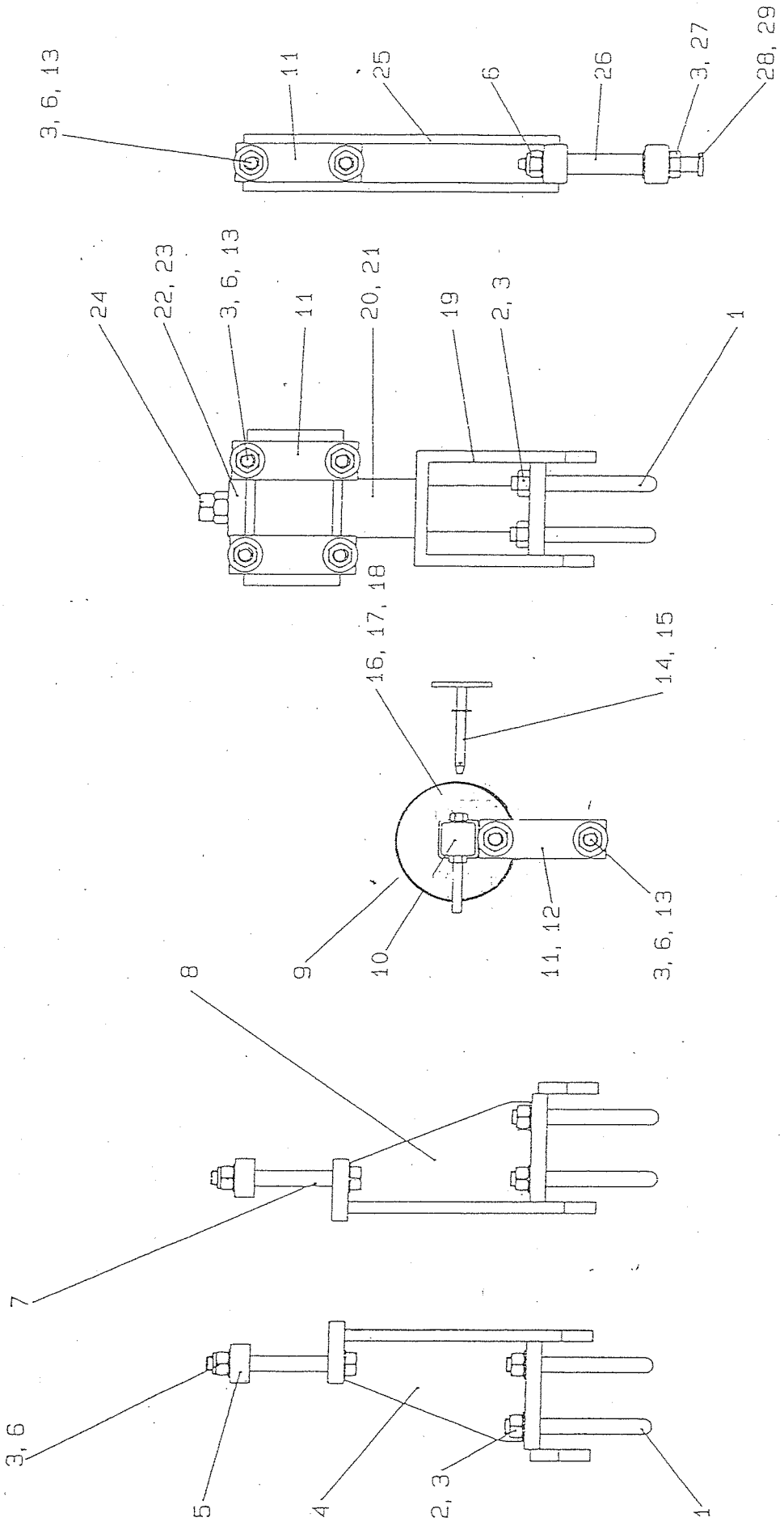
FIXED BRACKETS, PIVOTS, PIVOT LIMITERS  
AND PARKING STAND

Item No:	Part No:	Description	Item No:	Part No:	Description
1	5902886	U-Bolt	27	2306174	Bolt
2	2303011	Hex.Nut	28	7403333	Pivot Limiter Pin
3	2311093	Flat Washer	29	2314759	Linch Pin
4	7403533	Fixed Bracket L/H	30	6903927	Clasp Plate
5	6902916	Yoke Bar Clasp Plate	31	7703989	YB/TB Bracket Assy
6	2303096	Nyloc Nut			ASSEMBLIES AND KITS
7	2306173	Bolt			
8	7403534	Fixed Bracket R/H		7702836	Folding Yoke Bar Parking Stand (3, 6, 9-18)
9	7402141	Parking Stand		7702837	Rigid Yoke Bar Parking Stand (3, 6, 9-12, 14-18)
10	6402018	RHS. Insert		7703395	Yoke Bar Pivot Part Assembly (19-24)
11	6902555	Yoke Bar Clasp Plate		7703205	Pivot Limiter Pin Assembly (28, 29)
12	7402923	Parking Stand Bracket		8003124	Folding Yoke Bar Pivot Kit (1-3, 6, 11, 13, 19-24)
13	6902579	Spacer		8003125	Rigid Yoke Bar Pivot Kit (1-3, 6, 11, 19-24)
14	7402238	Support Pin		8003126	Folding Yoke Bar Pivot Limiter Kit (3, 6, 11, 13, 25-29)
15	2316033	R-Clip		8003127	Rigid Yoke Bar Pivot Limiter Kit (3, 6, 11, 25-29)
16	6902100	Stand Handle			
17	2303009	Hex.Nut			
18	2311217	Spring Washer			
19	7403531	Pivot Spindle			
20	7402862	Pivot Hub			
21	6401006	Grease Nipple			
22	7402453	Nut			
23	6902241	Thrust Washer			
24	2303012	Hex.Nut			
25	7403532	Pivot Limiter			
26	6902983	Spacer		8003655	YB/TB Bracket Assy (3, 6, 7, 11, 30&31)



FIXED BRACKETS, PIVOTS, PIVOT LIMITERS  
AND PARKING STAND

Item No:	Part No:	Description	Item No:	Part No:	Description
1	6902886	U-Bolt	27	2305174	Bolt
2	2303011	Hex.Nut	28	7403333	Pivot Limiter Pin
3	2311093	Flat Washer	29	2314759	Linch Pin
4	7403533	Fixed Bracket L/H	30	6903927	Clasp Plate
5	6902916	Yoke Bar Clasp Plate	31	7703989	YB/TB Bracket Assy
6	2303096	Nyloc Nut	ASSEMBLIES AND KITS		
7	2306173	Bolt			
8	7403534	Fixed Bracket R/H	7702836		Folding Yoke Bar Parking Stand (3, 6, 9-18)
9	7402141	Parking Stand	7702837		Rigid Yoke Bar Parking Stand (3, 6, 9-12, 14-18)
10	6402018	RHS. Insert	7703395		Yoke Bar Pivot Part Assembly (19-24)
11	6902555	Yoke Bar Clasp Plate	7703205		Pivot Limiter Pin Assembly (28, 29)
12	7402923	Parking Stand Bracket	8003124		Folding Yoke Bar Pivot Kit (1-3, 6, 11, 13, 19-24)
13	6902579	Spacer	8003125		Rigid Yoke Bar Pivot Kit (1-3, 6, 11, 19-24)
14	7402238	Support Pin	8003126		Folding Yoke Bar Pivot Limiter Kit (3, 6, 11, 13, 25-29)
15	2316033	R-Clip	8003127		Rigid Yoke Bar Pivot Limiter Kit ((3, 6, 11, 25-29)
16	6902100	Stand Handle	8003655		YB/TB Bracket Assy (3, 6, 7, 11, 30&31)
17	2303009	Hex.Nut			
18	2311217	Spring Washer			
19	7403531	Pivot Spindle			
20	7402862	Pivot Hub			
21	6401006	Grease Nipple			
22	7402453	Nut			
23	6902241	Thrust Washer			
24	2303012	Hex.Nut			
25	7403532	Pivot Limiter			
26	6902983	Spacer			



## EC DECLARATION OF CONFORMITY

Type of machine : Precision Seed Planting Machine

Name of model : Star

Serial Number :

Number of rows :

Manufacturer : Stanhay Webb Ltd.  
Houghton Road, Grantham,  
Lincs, NG31 6JE

Tel: +44 (0)1476 515406

Fax: +44 (0)1476 515407



Technical Director

We, the manufacturers, hereby declare that this machine, when assembled to our design, conforms to the Essential Health and Safety Requirements of the European Union.

Wij, de fabrikanten, verklaren heerbij dat deze uitrusting, indien opgebouwd volgens ons ontwerp, voldoet aan de gezondheids an veiligheids voorschriften van de Eurpesse Unie.

Assemblé conformement à nos orders, nous, les fabricants, déclarons que cette machine répond aux norms d'Hygiene et Sécurité au Travail de la CE.

Noi, I fabbricanti, dichiariamo che questo maccinario, quando montato secondo il nostro disegno, si conforma ai requisiti essenziali di salute e di sicurezza della Comunita Europea.

Wenn diese Maschine enstprechend unserer Konstruktion zussamengesetzt wird, eklären wir, daß sie den Arbeitsschutzvorschriften der Europäischen Gemeinschaft entspricht.

## STANHAY WEBB WARRANTY POLICY



### LIMITATION OF LIABILITY

1. Stanhay Webb Ltd (the company) does not give any Warranty in respect of its products except the limited Warranty contained in paragraphs 3-5 below which is expressly in lieu of all other warranties or conditions expressed or implied and of all other obligations or liabilities on its part. **The company supplies its products on the express condition that the purchaser is solely responsible for determining the suitability of the product for his requirements and conditions of use.** Stanhay Webb will in no event be liable for any incidental or consequential damages of any nature or source allegedly incurred through defects, incorrect operation or loss of use of the product, whatsoever, nor for any sum in excess of the price received by the Company for the goods for which liability is claimed. **The Company is not responsible for the performance of its products: it is the purchaser's sole responsibility to ensure that any Stanhay Webb product is performing to his satisfaction at all times, and this responsibility overrides absolutely any suggestions or assistance offered in good faith by the Company or its agents.**
2. Stanhay Webb operates a policy of continuous improvement, and reserves the right to change specifications at any time without prior notice, and without incurring any obligations to make such changes to products previously purchased.

### LIMITED WARRANTY

3. Stanhay Webb Ltd warrants to its authorised Distributor or Dealer all new products supplied of its manufacture, when correctly assembled, operated and serviced, to be free from defects in material and workmanship, for a period of nine (9) months (the warranty period) after the date of delivery by the Distributor or dealer to the original retail purchaser. Its obligations under this warranty are limited to making good on products for which payment to the Company is not overdue any part or parts (excluding normal wear) of its own manufacture which shall have been reported in writing to the Company within thirty (30) days from date of failure thereof, and which the Company's examination shall disclose to its satisfaction to have been defective. Stanhay Webb repair parts are warranted similarly to ninety (90) days from date of replacement or for the unexpired warranty period of the applicable Stanhay Webb machine, whichever is the longer.

4. Due to the particular nature of Stanhay Webb products, this Warranty is void absolutely if any part not supplied by the Company is used in assembly or repair, or if the product has been altered, assembled, repaired or used in anyway, configuration or conditions differing from the written recommendations and instructions of the Company (whose decision is final).
5. In the event of components supplied by Stanhay Webb not of its own manufacture for which payment to the Company is not overdue being reported in writing as defective during the warranty period, Stanhay Webb will endeavour to claim against the manufacturer of such components and in the event of any claim being successful will pass the benefit on to the customer.

#### **CONDITIONS OF SUPPLY**

6. No warranties other than those expressly noted herein are given, and not one is authorized to alter, modify or enlarge this Warranty beyond the warranties expressed.
7. This product is supplied subject to the Terms of Trading of Stanhay Webb Ltd as reproduced on the inside covers of the Company's price list.

**NOTE: WARRANTY REGISTRATION FORM MUST BE RETURNED TO STANHAY WEBB LIMITED. WARRANTY VOID IF MACHINE IS NOT REGISTERED.**

