



PARTS MANUAL

Part N^o S64-00004 (ISSUE 1)



SEVEN

Stanhay Webb
BCS House
Pinfold Road
Bourne
PE10 9HT
UK

Tel: (+44) 8451 801480

Email info@stanhay.com

Web www.stanhay.com





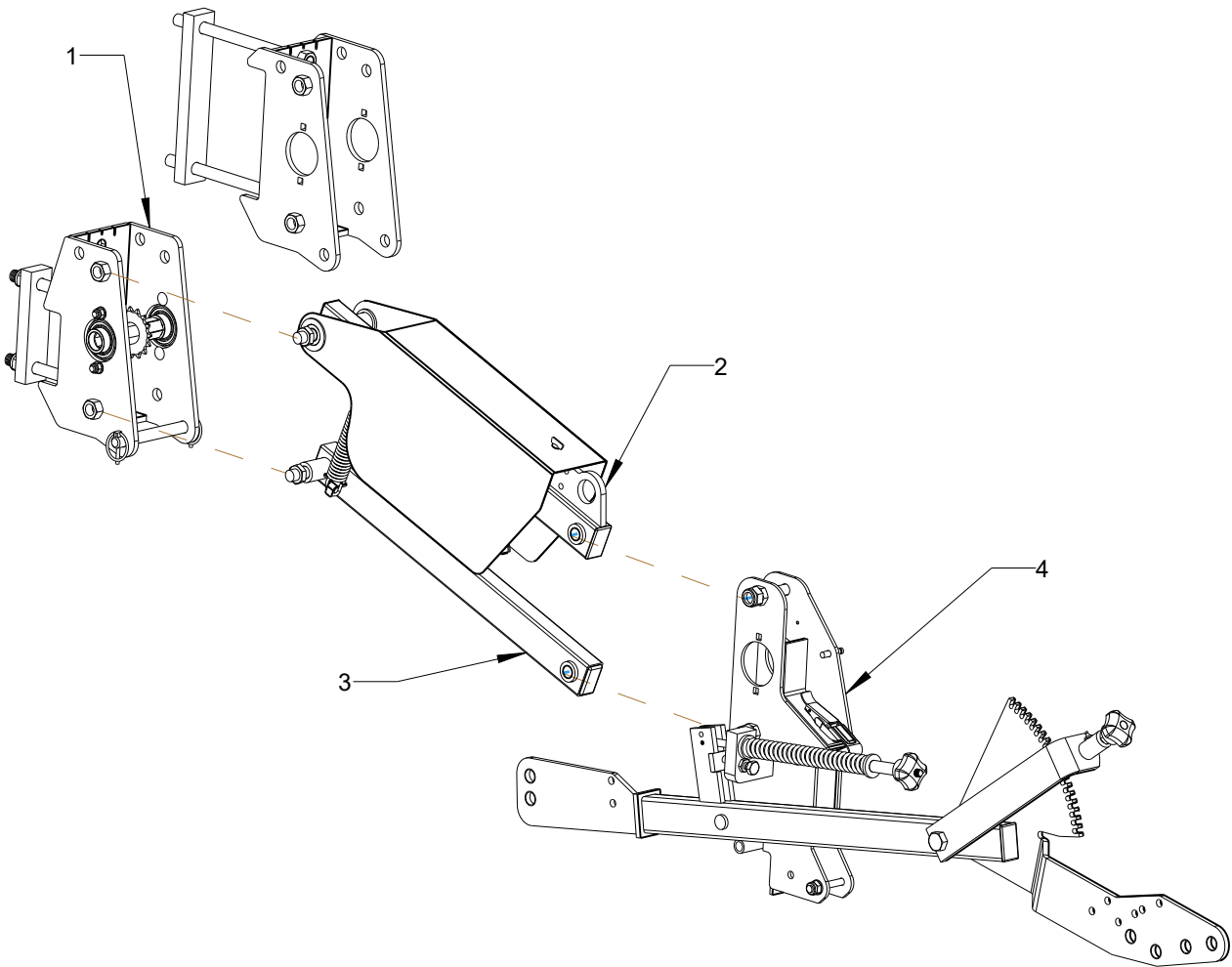
CONTENTS

Title	Page No.
1. CELL WHEELS	1-4
2. METERING UNIT	5-7
3. CHASSIS KIT	8-9
4. ROW UNIT HEADSTOCK	10-11
5. LINK ARM ASSEMBLY	12-13
6. DRIVE AND SPROCKET SET	14-15
7. CLOD DEFLECTOR	16
8. LANDWHEEL	17-26
9. PRESS WHEEL	27
10. ARM AND DRAG COVERER AND OPENER TINE	28-29
11. WHEEL OPTIONS	30-33
12. COULTER OPTIONS	34-37
13. HEADSTOCK, TOOLBARS AND SHAFTS	38-40
14. STACKER	41-42

SEVEN ROW UNIT LAYOUT

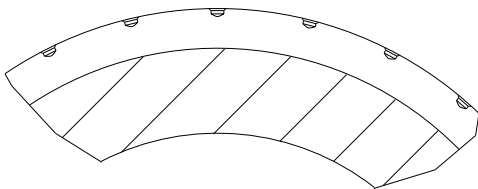
S85-00004

ITEM NUMBER	PART NUMBER	DESCRIPTION	QUANTITY
1	S77-00014	ROW UNIT HEADSTOCK 2017	1
2	SHW7700065	TOP LINK ARM	1
3	SHW7703923	LOWER LINK ARM	1
4	S80-00001	SEVEN CHASSIS KIT	1

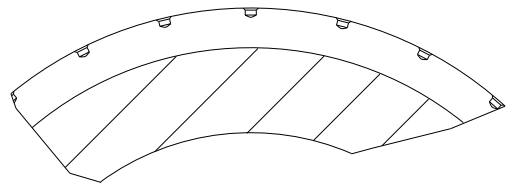


1.SELECTOR WHEELS

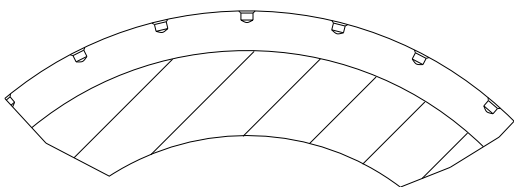
PART NUMBER FOR COMPLETED SELECTOR WHEEL S35-00002
SELECTOR WHEEL KIT INCLUDING 2xFIXING SCREWS AND EJECTOR BLADE S80-00003



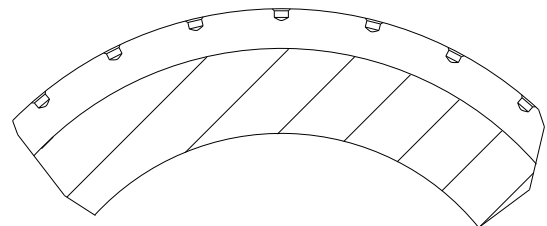
SEED GRADE 1.50-1.75MM
SELECTOR WHEEL A



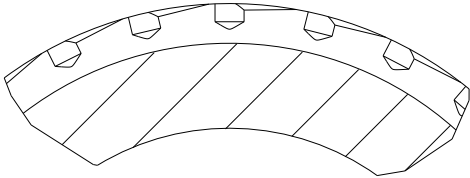
SEED GRADE 1.75-2.00MM
SELECTOR WHEEL B



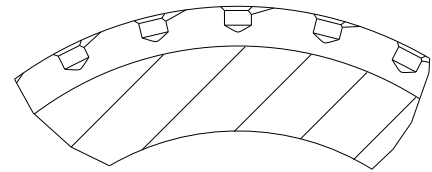
SEED GRADE 2.00-2.25MM
SELECTOR WHEEL C



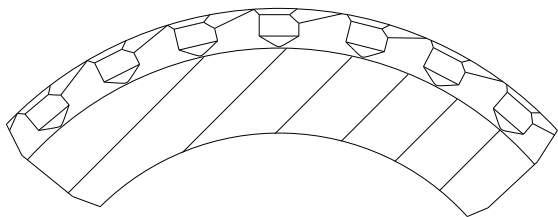
SEED GRADE 2.25-2.50MM
SELECTOR WHEEL D



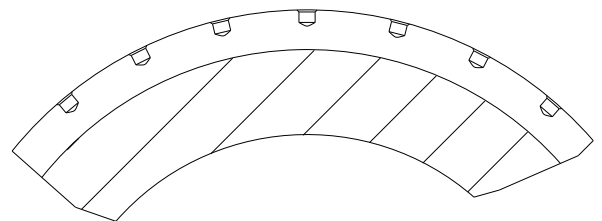
SUGAR BEET SEED GRADE 3.50-4.75MM
SELECTOR WHEEL EP



FODDER BEET SEED GRADE 2.75-4.5MM
SELECTOR WHEEL E

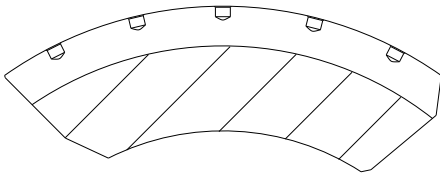


NATURAL SUGARBEET- SEED GRADE 6.75MM MAX
SELECTOR WHEEL F

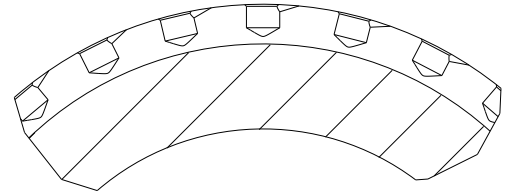


SELECTOR WHEEL G

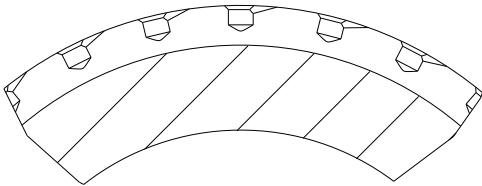
1.SELECTOR WHEELS



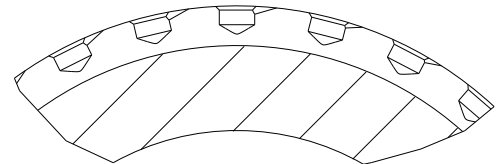
SELECTOR WHEEL H



SELECTOR WHEEL EQ
SUGAR BEET GRADE 4.75-5.5MM

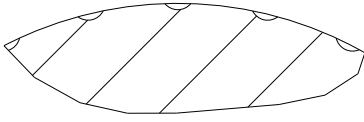


SELECTOR WHEEL E187
GRAVITY SEPERATED SEED GRADE 3.25-4MM

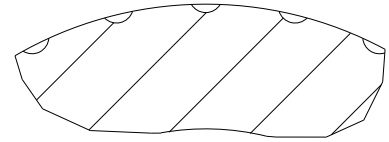


SELECTOR WHEEL EPC
PELLETED PARSNIP GRADE 4.75- 5.95MM

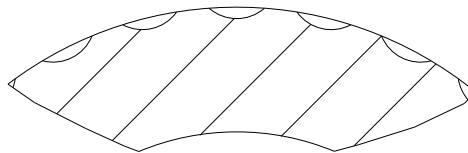
1.SELECTOR WHEELS



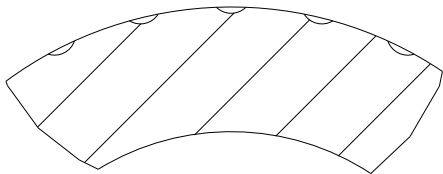
SELECTOR WHEEL J
RAW LETTUCE, CELERY, TIMOTHY AND CHICORY
NO EJECTOR PLATE GROOVE



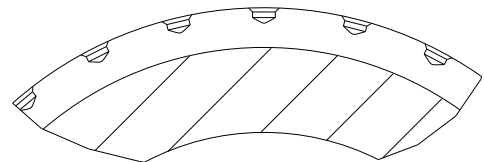
SELECTOR WHEEL K
RAW CHICORY AND CARROT
NO EJECTOR PLATE GROOVE



SELECTOR WHEEL P
RAW PARSNIP
NO EJECTOR PLATE GROOVE



SELECTOR WHEEL L
RAW PARSNIP
NO EJECTOR PLATE GROOVE



SELECTOR WHEEL N
NO EJECTOR PLATE GROOVE

2.METERING UNIT

S77-00007

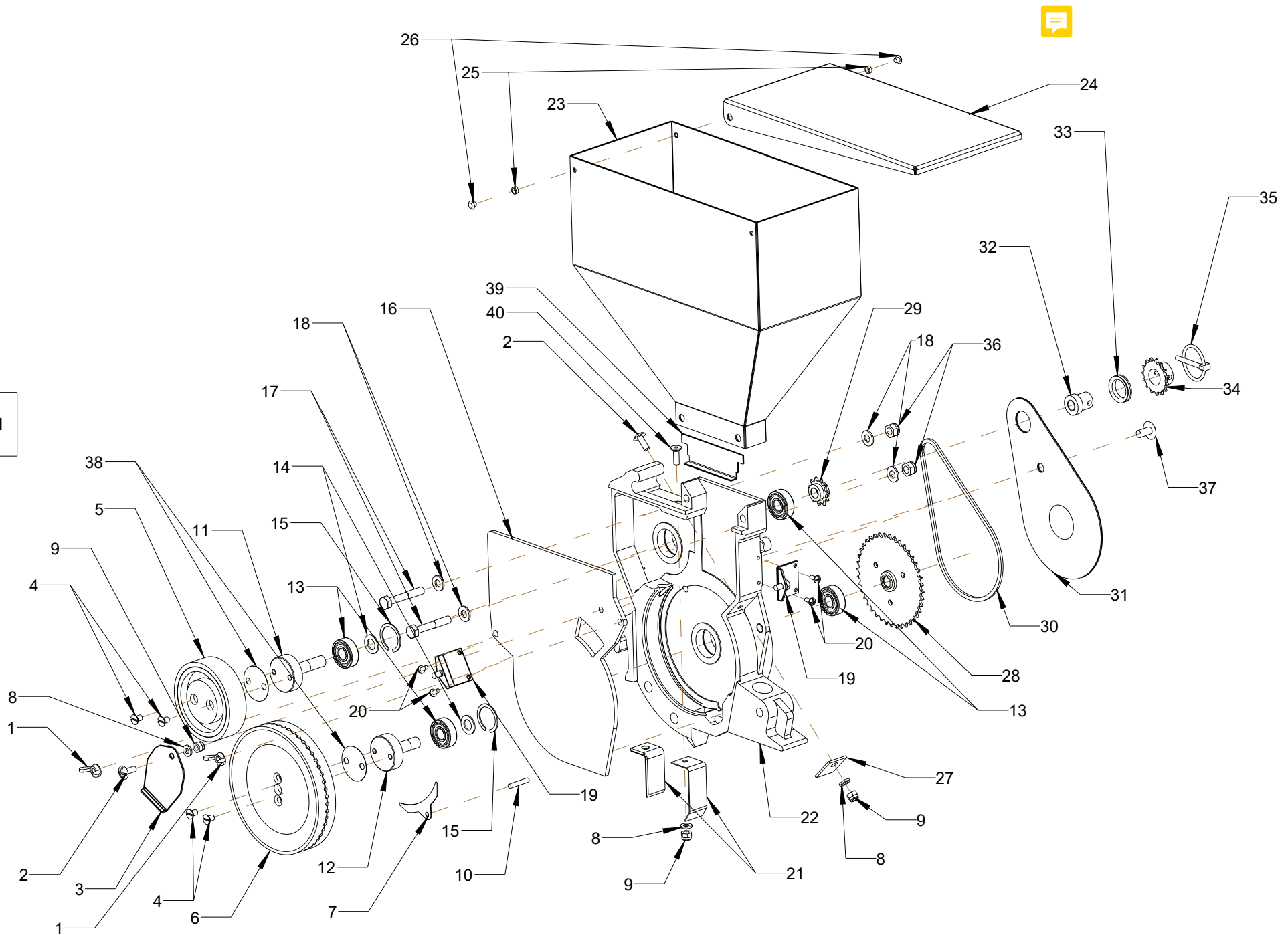
ITEM NUMBER	PART NUMBER	DESCRIPTION	QUANTITY
1	SHW2303184	M6 WING NUT	2
2	SHW2390024	M6X16 ROOFING BOLT	2
3	SHW3210175	COVER PLATE FLAP	1
4	SHW2333123	M6X10 SLT CSK HD SCREW	4
5	SHW7702737	DEF.WHEEL & BROWN TYRE	1
	SHW7703071	DEF.WHEEL & BLACK TYRE	1
6	SEE SECTION 1	SELETOR WHEEL 	1
7	SHW3220036	EJECTOR BLADE-S1 	1
8	SHW2311133	M6 PLN F/W LAR DIA HVY	3
9	SHW2303107	M6 NYLOC THIN T TYPE	3
10	SHW2214605	3/16 X 1 IN. GROOVED PIN GP22	1
11	SHW6902261	DEFLECTOR WHEEL SHAFT	1
12	SHW6902260	SELECTOR WHEEL SHAFT	1
13	SHW1901101	6201-2RS BALL BEARING 12-32-10	4
14	SHW6902487	BEARING SACER	2
15	SHW2217206	INT CIRCLIP DIN 472-32 X 1.20	2
16	S69-00005	UNIT COVER PLATE CLEAR	1
17	SHW2306040	M8 X 50 GR 8.8 BOLT PLATED	2
18	SHW2311111	M8 PLN F/W NOR DIA LGT-FORM B	4
19	SHW7404189	UNIT LID BRACKET W/A	2
20	SHW2385052	NO. 8X 3/8 SLT PAN HD S/T	4
21	SHW3210059	SPRING BLADE	1
	SHW6902825	FIXED DEFLECTOR BLADE	1
22	SHW3000484	METERING UNIT BODY	1
23	S74-00006	NINE METAL 9L HOPPER	1
24	S69-00006	NINE METAL HOPPER LID	1
25	SHW6900018	HINGE SPACER	2
26	SHW2212563	TUCKER POP RIVET AD66SB	2
27	SHW6900792	SEALING STRIP	1
28	SHW1701021	40T SELECTOR SPROCKET	1
29	SHW1701020	11T DEFLECTOR SPROCKET	1
30	SHW1801011	8mm CHN.ISO 05B-1 56P ENDLESS	1
31	SHW3220037	CHAIN COVER	1
32	SHW6904104	DRIVE HUB WEBB 7	1
33	SHW4001018	VA-0022 NIT.V-SEAL HD LAND ENG	1
34	SHW1701029	15T DRIVE SPROCKET	1
35	SHW2314757	3/16 X 1.3/8 LINCH PIN	1
36	SHW2303092	M8 NYLOC FULL P TYPE	2
37	SHW2390052	M8 X 16 ROOFING BOLT PLATED	1
38	S69-00007	SEVEN/NINE SETTING SHIM	2
39	SHW6902264	HOPPER PACKER	1
40	SHW2376047	M6X20 SKT CSK SCREW	1

NOTE:

- No.38 (S69-00007) setting shim is dependant on individual unit fitment and may not be required.
- There are two types of No. 21 deflector blade.
- There are two types of No.5 deflector wheels (brown and black).
- More information can be found about Selector wheels in part 1 of this document.

KITS	
PART NUMBER	DESCRIPTION
SHW8010060	BLACK TYRE WHEEL & SPRING BLADE KIT
SHW7703071	DEFLECTOR WHEEL & BLACK TYRE 585/590
SHW2810199	DEFLECTOR WHEEL
SHW2830041	DEFLECTOR BLACK TYRE
SHW8010008	BROWN TYRE WHEEL & SPRING BLADE KIT
SHW7702737	DEFLECTOR WHEEL & BROWN TYRE 585/590
SHW2830035	DEFLECTOR BROWN TYRE

7

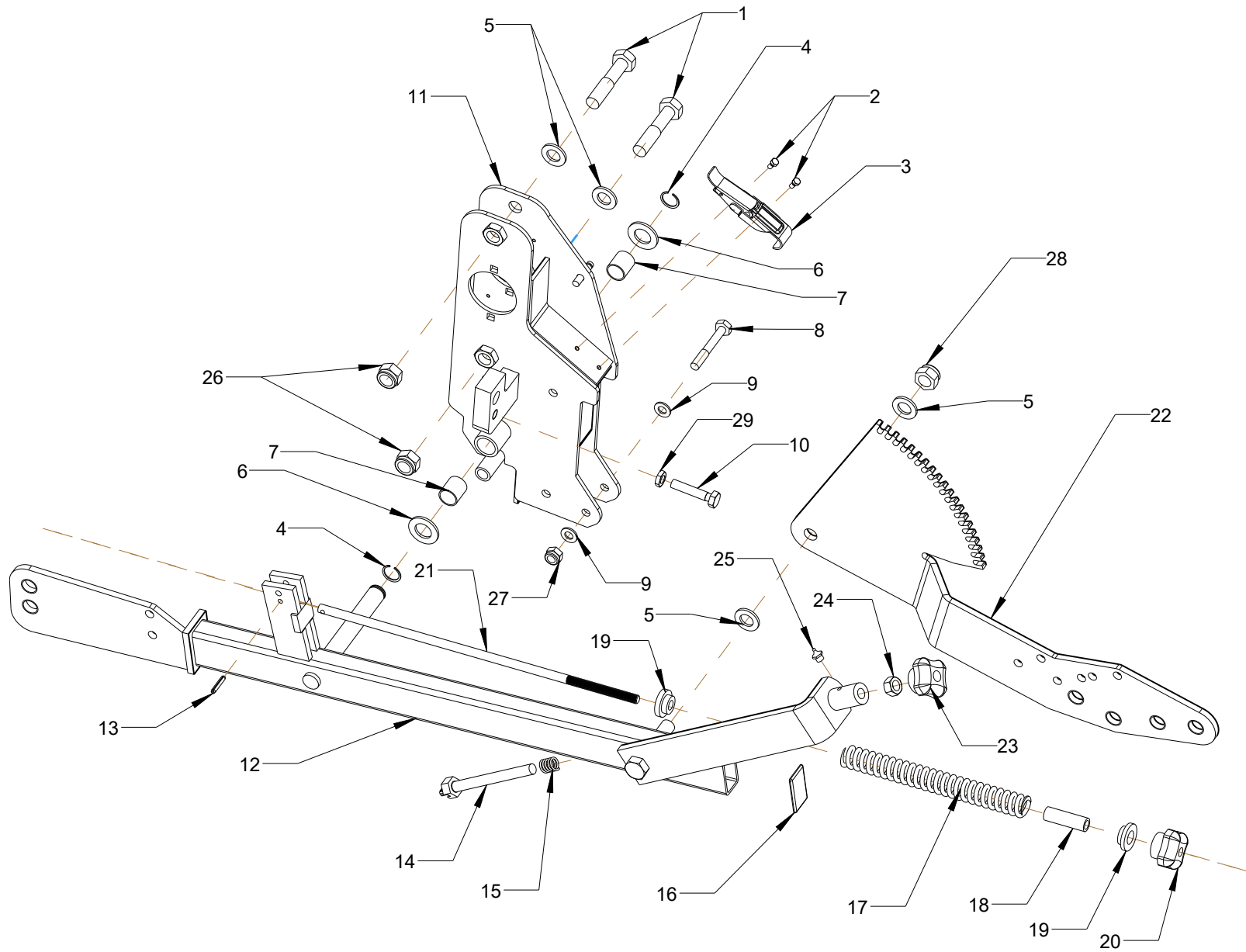


2. METERING UNIT

3.CHASSIS KIT

S80-00001

ITEM NUMBER	PART NUMBER	DESCRIPTION	QUANTITY
1	SHW2306133	M16X75 GR 8.8 BOLT	2
2	SHW2309021	M5X10 GR 8.8 SET SCREW	2
3	SHW2387013	PROTEX 30-506 TOGGLE CLIP	1
4	SHW2217011	20mm EXTERNAL CIRCLIP	2
5	SHW2311092	M16 PLAIN FLAT WASHER FORM A	4
6	SHW2311093	M20 PLAIN FLAT WASHER FORM A	2
7	SHW2008017	GLACIER BEARING MB2025 DU	2
8	SHW2306072	M10X70 GR 8.8 BOLT	1
9	SHW2311090	M10 PLAIN FLAT WASHER FORM A	2
10	SHW2309067	M10X50 SET SCREW	1
11	SHW7400053	1 PART MTR UNIT BRACKET	1
12	SHW7400052	WHEEL ARM 210	1
13	SHW2215049	5X28 SPIROL PIN	1
14	SHW7404727	1/2 DEPTH ADJUSTMENT BOLT	1
15	SHW2701073	D/A SPRING PARTNOLC	1
16	SHW6402044	INSERT SKIFFY	1
17	SHW2701072	REAR WHEEL PRESSURE SPRING	1
18	SHW6903904	SPRING SPACER	1
19	SHW2810067	SPRING GUIDE COLLAR	2
20	SHW6404034	KNOBS HANDWHEEL	1
21	SHW6903905	SPRING ROD	1
22	SHW6904601	RW/DA PLATE 210 WHEEL	1
23	SHW6404035	KNOB HANDWHEEL	1
24	SHW2303009	M12 HEX NUT	1
25	SHW6401006	M8 STRAIGHT GREASER	1
26	SHW2303129	M16 PHILIDAS NUT	2
27	SHW2303093	M10 NYLOC FULL P TYPE	1
28	SHW2303095	M16 NYLOC FULL P TYPE	1
29	SHW2303044	M10 HEX LOCKNUT	1



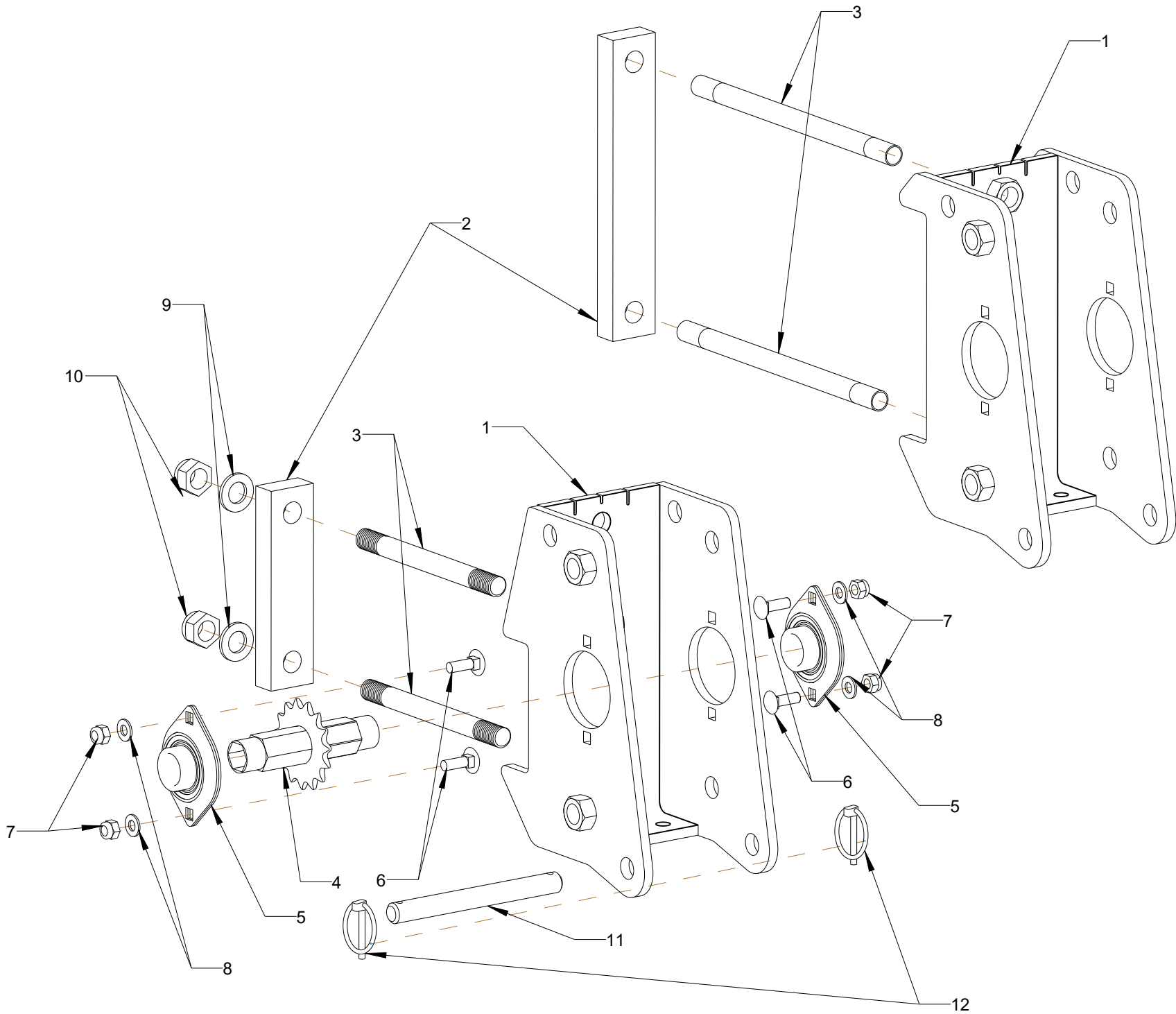
3.CHASSIS KIT
S80-00001

ITEM NUMBER	PART NUMBER	DESCRIPTION	QUANTITY
1	S74-00008	100TB ROW HS STARPLUS	1
	S74-00010	180TB ROW HS STARPLUS	1
2	SHW6903077	CLASP PLATE (100MM TOOLBAR)	1
	SHW6904151	CLASP PLATE (180MM TOOLBAR)	1
3	SHW6903980	ROW UNIT STUD (100MM TOOLBAR)	2
	SHW6904150	ROW UNIT STUD (180MM TOOLBAR)	2
4	SHW7404048	16T DRIVE SHAFT SPROC. HUB-WA	1
5	SHW1905006	RHP BRG UNIT SLFL 25	2
6	SHW2306464	M8 X 25 COACH BOLT BZP CUP SQ.	4
7	SHW2303092	M8 NYLOC FULL P TYPE S/L NUT	4
8	SHW2311089	M8 WASHER FORM A	4
9	SHW2311092	M16 PLN F/W NOR DIA HVY-FORM A	2
10	SHW2303129	M16 PHILIDAS NUT-IND.TYPE	2
11(OPTIONAL)	S69-00008	LATCH PIN HEADSTOCK	1
12(OPTIONAL)	SHW2314757	3/16X1.3/8 LINCH PIN	2

NOTE:

FOR 180MM TOOLBAR REPLACE PARTS S74-00008, SHW6903077 AND SHW6903980 WITH S74-00010, SHW6904151 AND SHW6904150

11

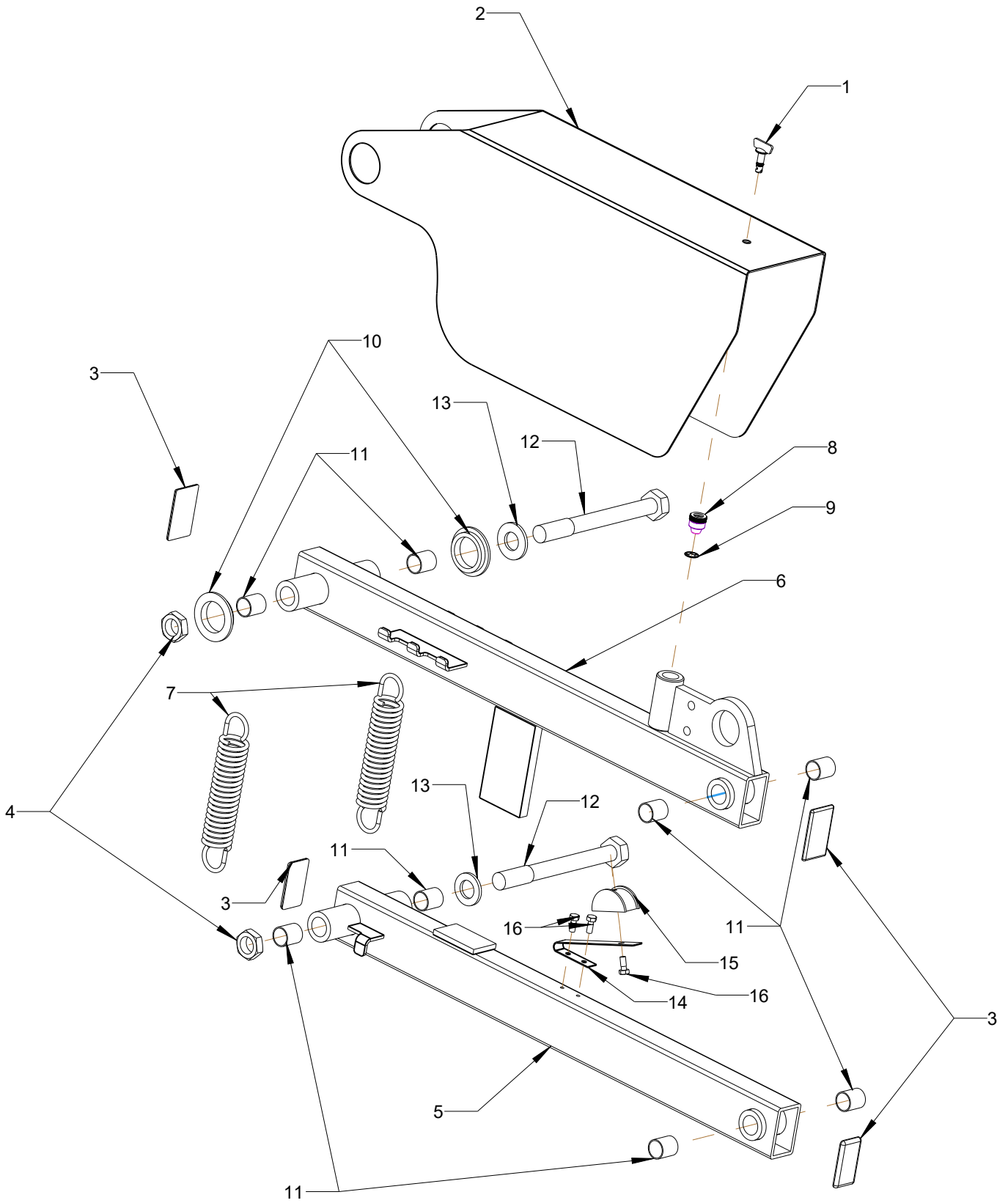


4 ROW UNIT HEADSTOCK

5.LINK ARM ASSEMBLY

ITEM NUMBER	PART NUMBER	DESCRIPTION	QUANTITY
1	SHW2387017	6mm STUD/WIND/17LONG	1
2	S69-00011	SEVEN CHAINGUARD	1
3	SHW6402044	INSERT-SKIFFY	4
4	SHW2303046	M16 GR.8 HEX LOCKNUT	2
5	SHW7404033	BOTTOM LINK W/A	1
6	SHW7400085	STARPLUS TOP LINK V2	1
7	SHW2702045	PENETRATION SPRING	1
8	SHW2387016	6mm FRONT MOUNT INSERT	1
9	SHW2837018	6mm STEEL RETAINER	1
10	SHW6900082	CHAIN GUARD BEARING	2
11	SHW2008014	GLACIER BEARING MB 1620 DU	4
12	SHW2306141	M16 X150 GR 8.8 BOLT	2
13	SHW2311092	M16 PLAIN FLAT WASHER	2
14	SHW2704008	CHAIN TENSIONER SPRING	1
15	SHW6902369	RUBBING BLOCK	1
16	SHW2309022	M5X12 GR 8.8 SET SCREW	3

5.LINK ARM ASSEMBLY

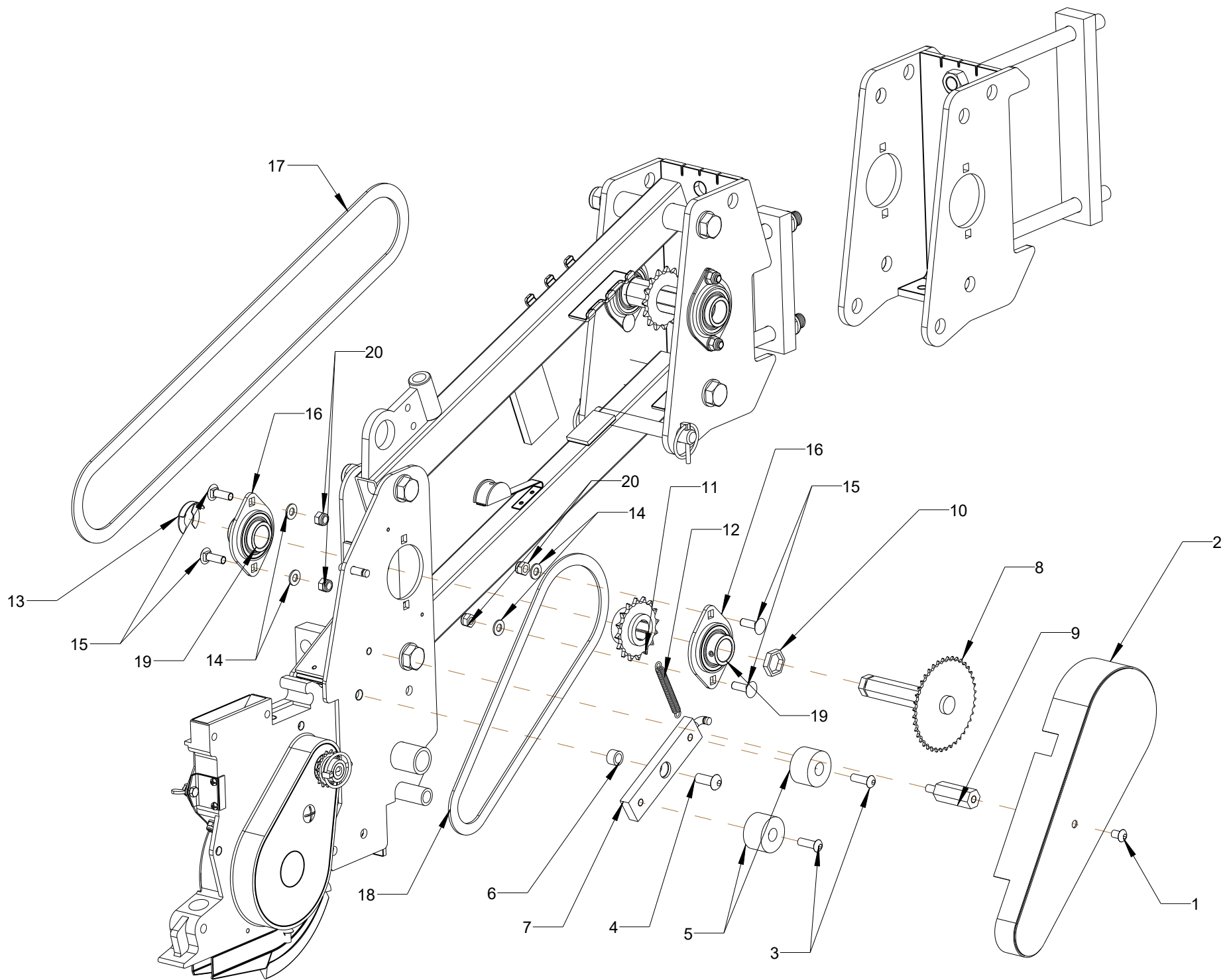


6.DRIVE AND SPROCKETS

S80-00002

ITEM NUMBER	PART NUMBER	DESCRIPTION	QUANTITY
1	SHW2377079	M8X12 SKT BUTTON HD SCREW	1
2	SHW7404841	W7 FINAL DRIVE GUARD W/A	1
3	SHW2377082	M8X25 SKT BUTTON HD SCREW	2
4	SHW2377106	M10X25 SKT BUTTON HD SCREW	1
5	SHW6904605	W7 FINAL DRIVE JOCKEY	2
6	SHW6904600	JOCKEY PIVOT PLATE SPACER	1
7	SHW7404840	JOCKEY W/A	1
8	SHW7404411	40T INTERMEDIATE SPROCKET W/A	1
9	SHW6904606	GUARD STAND OFF	1
10	SHW6904016	40T SPROCKET SPACER	1
11	SHW7404049	16T INTERMEDIATE SPROCKET HUB	1
12	SHW2702053	JOCKEY SPRING	1
13	SHW2317004	SPRINGFIX CLIP KLM24	1
14	SHW2311089	M8 FLAT WASHER FORM A	1
15	SHW2306464	M8X25 COACH BOLT	4
16	SHW1905006	SLFL25 BEARING HOUSING	2
17	SHW1801023	CHAIN HSTOCK CONNECTOR	1
18	SHW1801023	CHAIN METERING UNIT CONNECTOR	1
19	SHW1905025	UC205 BEARING	2
20	SHW2303092	M8 NYLOC NUT TYPE P	4

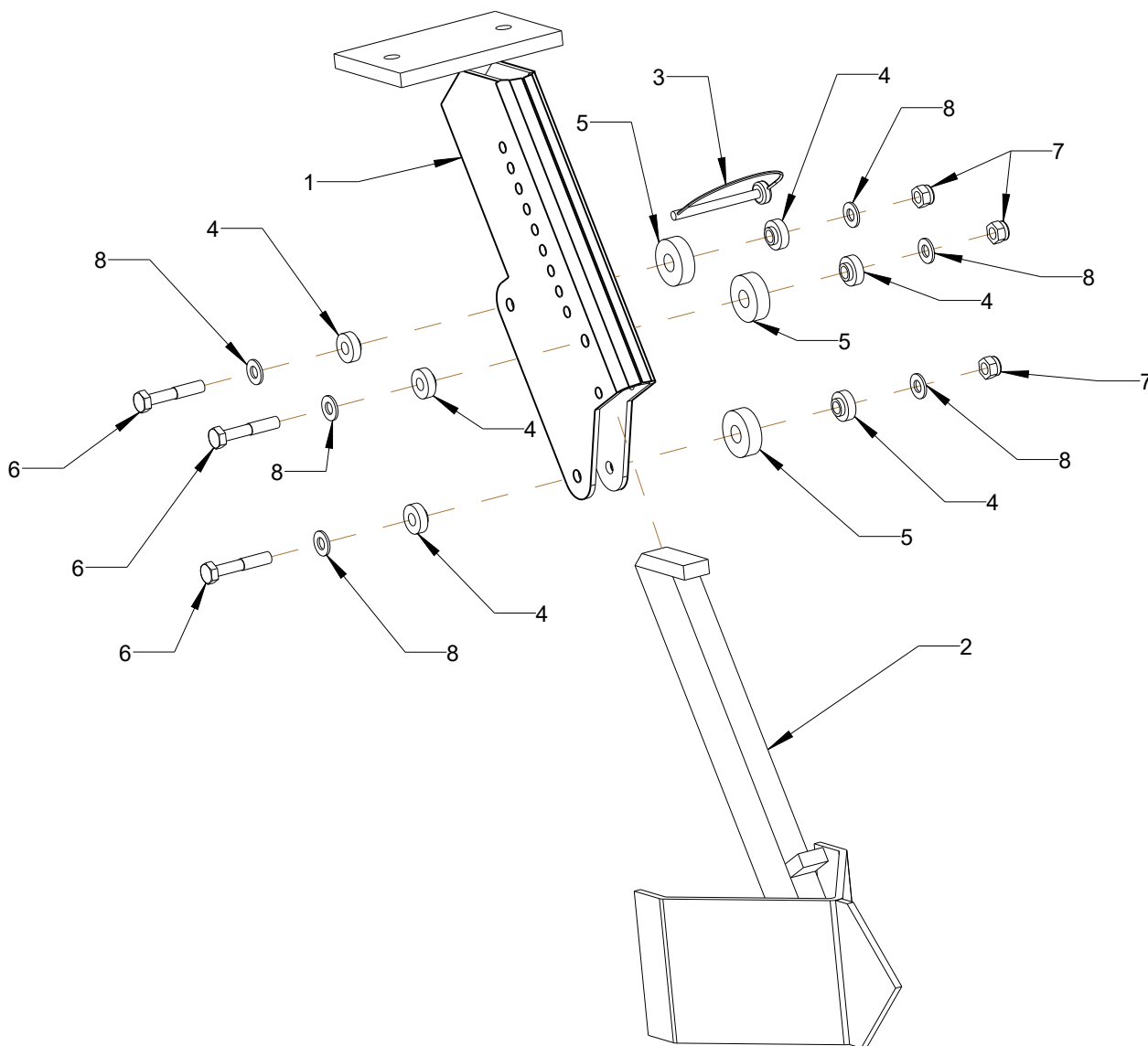
15



6. DRIVE AND SPROCKETS

7.CLOD DEFLECTOR

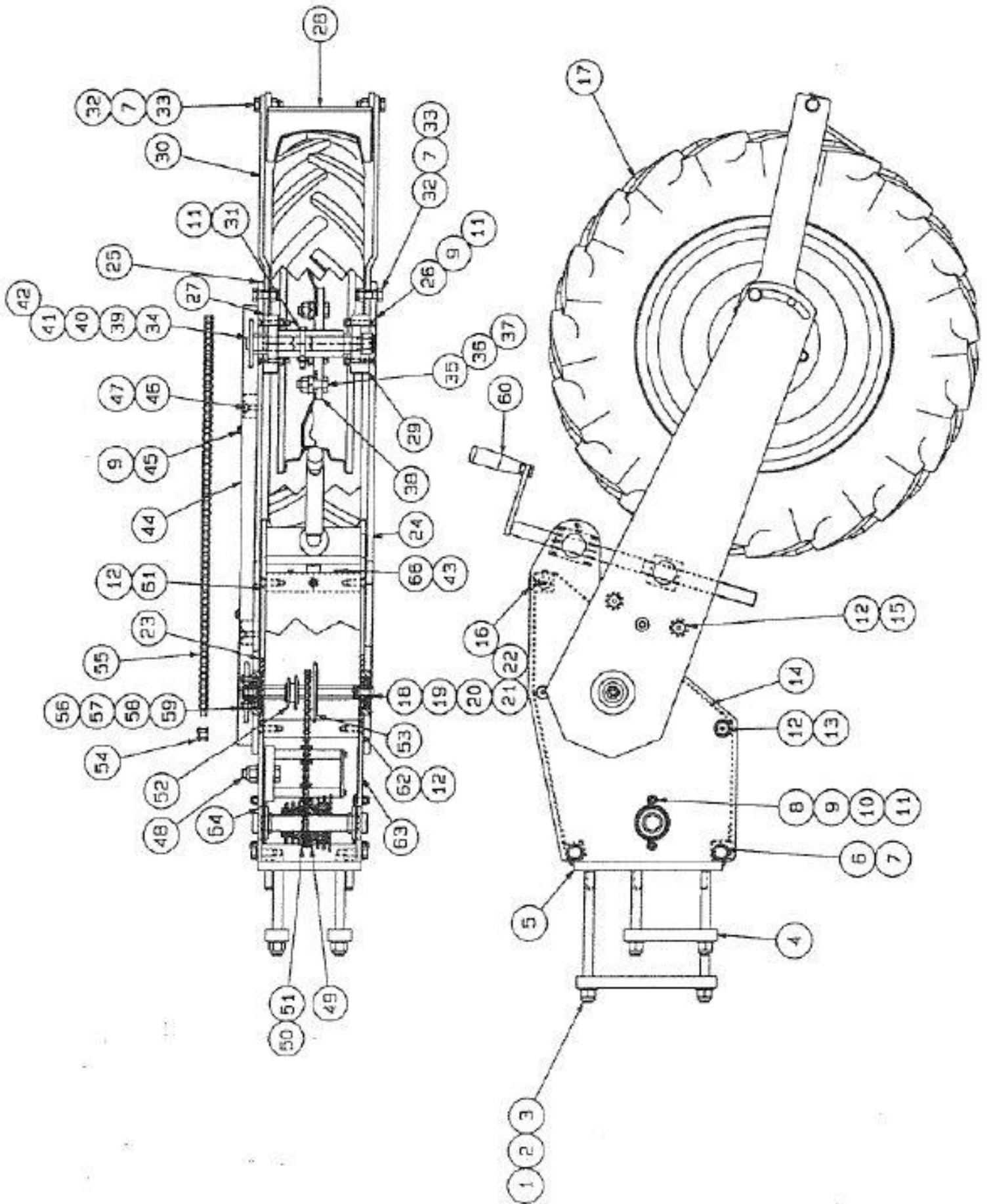
ITEM NUMBER	PART NUMBER	DESCRIPTION	QUANTITY
1	SHW7404457	CLOD DEFLECTOR TRACK	1
2	SHW7404458	150 CLOD DEFLECTOR	1
	SHW7404497	190 CLOD DEFLECTOR	1
3	SHW6408020	6MM WIRE ROPE CLIP	1
4	SHW6904132	BEARING SPACER	6
5	SHW1901101	6201-2RS BALL BEARING	3
6	SHW2306040	Bolt M8 x 45	3
7	SHW2311089	M8 FORM A	6
8	SHW2303092	M8 NYLOC NUT	3
KITS			
	SHW7704140	150 CLOD DEFLECTOR	
	SHW7704165	190 CLOD DEFLECTOR	



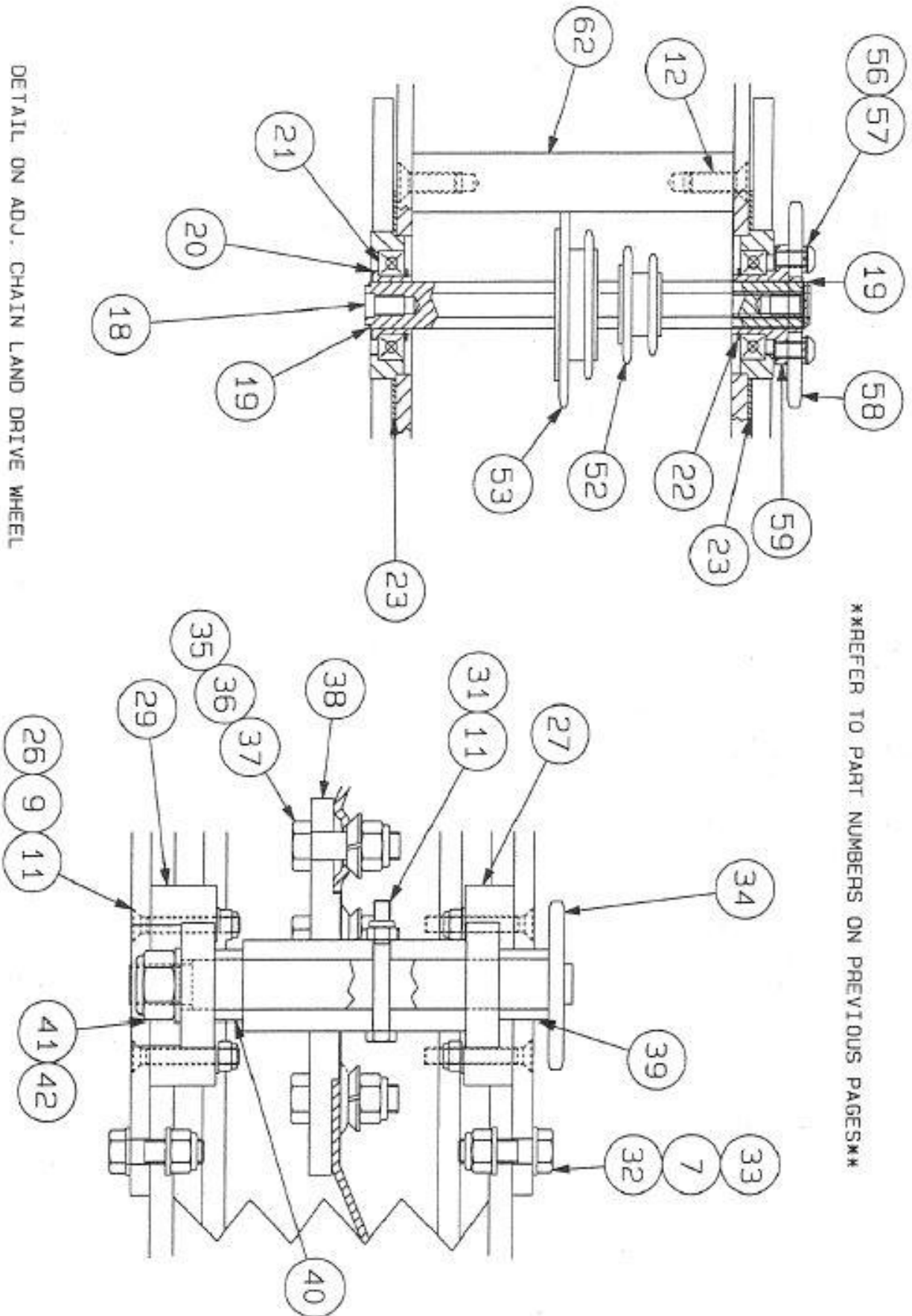
ITEM NUMBER	PART NUMBER	DESCRIPTION
1	SHW6904150	GEAR BOX STUD (180mm TOOLBAR)
	SHW6903980	GEAR BOX STUD (100mm TOOLBAR)
	SHW6904115	GEAR BOX STUD (200x100mm TOOLBAR)
2	SHW2303095	NYLOC NUT
3	SHW2311092	FLAT WASHER
4	SHW6904151	CLASP PLATE (180mm TOOLBAR)
	SHW6903077	CLASP PLATE (100mm and 100x200mm TOOLBAR)
5	SHW7704241	GEAR BOX FRONT PLATE ASSY (180mm TOOLBAR)
	SHW7704239	GEAR BOX RONT PLATE ASSY (100mm and 100x200mm TOOLBAR)
	SHW7404614	GEAR BOX FRONT PLATE
	SHW2215122	SPIROL PIN
	SHW2215140	SPIROL PIN
6	SHW2309078	SET SCREW
7	SHW2311091	FLAT WASHER
8	SHW2306464	COACH BOLT
9	SHW2311089	FLAT WASHER
10	SHW1905006	BEARING
11	SHW2303092	NYLOC NUT
12	SHW2376079	SOCKET COUNTERSUNK SCREW
13	SHW6904319	GEAR BOX SPACER
14	SHW7404626	BOTTOM COVER W/A
15	SHW6904330	WHEEL ARM SPACER
16	SHW7704246	TOP COVER ASSY
	SHW2387017	WING STUD
	SHW2387018	RETAINER
	SHW7404625	TOP COVER W/A
17	SHW5700389	WHEEL & TYRE
	SHW5700356	TYRE
	SHW5700357	TUBE
	SHW5700388	WHEEL
18	SHW6904322	INPUT SHAFT
19	SHW2217003	EXT. CIRCLIP
20	SHW6904321	INPUT SHAFT HUB
21	SHW1901051	BALL BEARING
22	SHW2217009	EXT. CIRCLIP
23	SHW6904331	WHEEL ARM WASHER
24	SHW6904328	WHEEL ARM L/H
25	SHW6904329	WHEEL ARM R/H
26	SHW2376069	SOCKET COUNTERSUNK SCREW

ITEM NUMBER	PART NUMBER	DESCRIPTION
27	SHW7704310	WHEEL BEARING HUB R/H ASSY
	SHW1901160	BEARING
	SHW6904407	BEARIN HUB R/H
28	SHW7404627	WHEEL SCRAPER
29	SHW7704311	WHEEL BEARING HUB L/H ASSY
	SHW1901160	BEARING
	SHW6904410	BEARING HUB L/H
30	SHW6904332	SCRAPER ARM
31	SHW2306043	BOLT
32	SHW2306096	BOLT
33	SHW2303094	NYLOC NUT
34	SHW7404622	19T WHEEL SPINDLE
35	SHW2306560	BOLT
36	SHW2311391	CONICAL WASHER
37	SHW2303103	NYLOC NUT
38	SHW7404623	WHEEL HUB
39	SHW6904409	WHEEL SPINDLE SPACER R/H
40	SHW6904408	WHEEL SPINDLE SPACER L/H
41	SHW2311093	FLAT WASHER
42	SHW2303096	NYLOC NUT
43	SHW2311132	FLAT WASHER
44	SHW7404624	CHAIN GUARD
45	SHW2377085	SOCKET BUTTON HEAD SCREW
46	SHW6904333	JOCKEY
47	SHW2376064	SOCKET COUNTERSUNK SCREW
48	SHW7704243	SECONDARY DRIVE JOCKEY ASSY
49	SHW7404619	8 SPROCKET CLUSTER
50	SHW1830003	65PITCH CHAIN
51	SHW1830001	CONNECTING LINK
52	SHW1707151	11/13T SLIDIN SPROCKET
53	SHW1707086	17/24T SLIDING SPROCKET
54	SHW1808065	CONNECTING LINK
55	SHW1808083	125 PITCH CHAIN (24T SPROCKET)
	SHW1808086	137 PITCH CHAIN (40T SPROCKET)
56	SHW2377079	SOCKET BUTTON HEAD SCREW
57	SHW2311215	SPRING WASHER
58	SHW1708062	24T PRIMARY DRIVEN SPROCKET
	SHW1708065	40T PRIMARY DRIVEN SPROCKET
59	SHW6904336	PRIMARY DRIVEN HUB
60	SHW7704245	JACK SCREW ASSY
	SHW7704283	JACK SCREW ASSY - SPRING LOADED
61	SHW7704244	GEAR BOX REAR PACER ASSY
62	SHW6904319	GEAR BOX SPACER
63	SHW7404615	GEAR BOX SIDE L/H

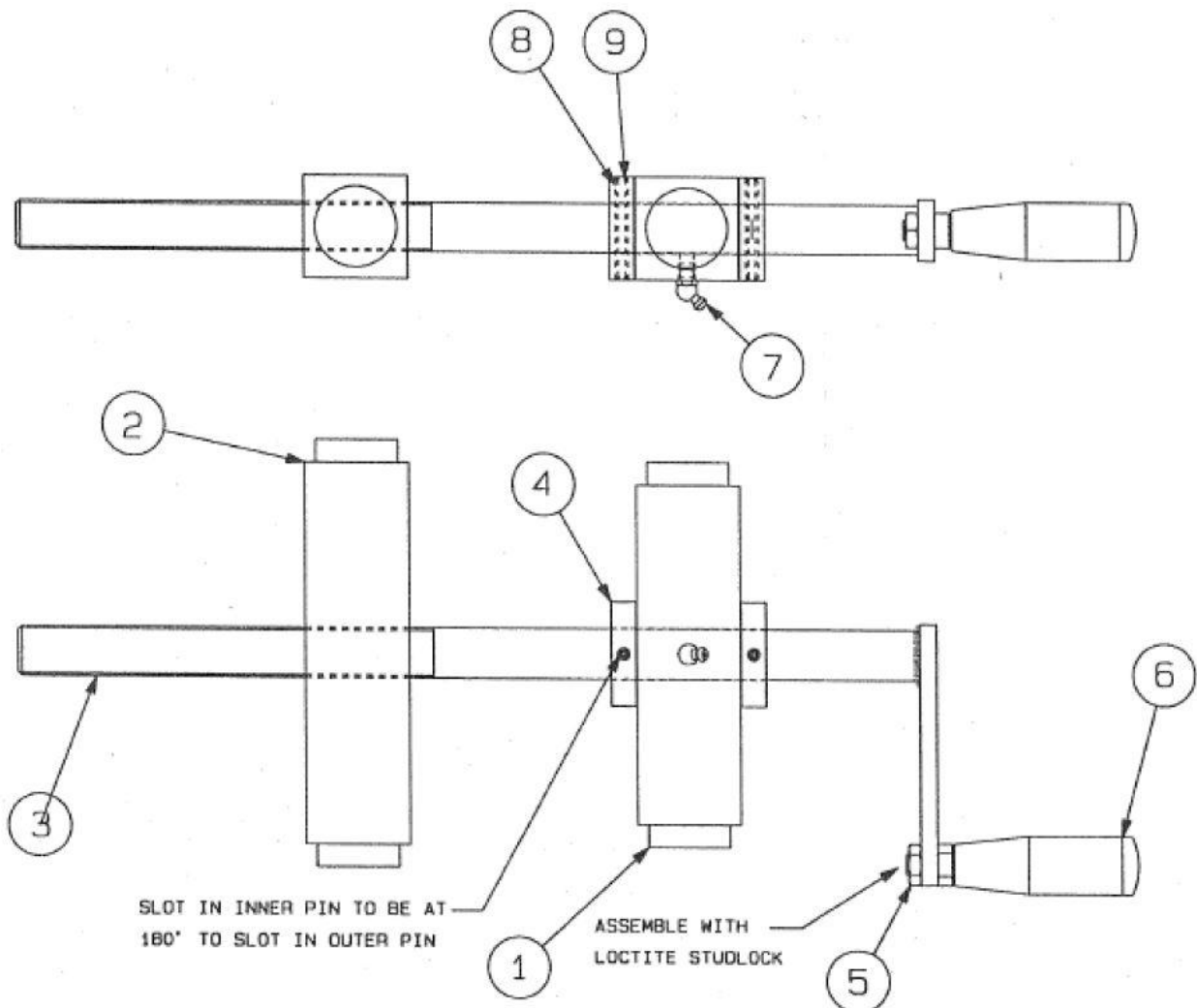
ITEM NUMBER	PART NUMBER	DESCRIPTION
61	SHW7704244	GEAR BOX REAR SPACER ASSY
62	SHW6904319	GEARBOX SPACER
63	SHW7404615	GEAR BOX SIDE L/H
64	SHW7404616	GEAR BOX SIDE R/H
65	SHW7704283	JACK SCREW
66	SHW2309022	SET SCREW
KITS		
	PART NUMBER	DESCRIPTION
N/A	SHW8003854	CHAIN LAND DRIVE WHEEL (100X100 TOOLBAR)
N/A	SHW7704267	SUPPORT LAND WHEEL (100X100 TOOLBAR)
N/A	SHW8003860	CHAIN LAND DRIVE WHEEL (100X100 TOOLBAR) SPRING LOADED
N/A	SHW7704268	SUPPORT LAND WHEEL (100X100 TOOLBAR) MICROBAND/F180
N/A	SHW8003857	CHAIN LAND DRIVE WHEEL (180X180 TOOLBAR)
N/A	SHW7704270	SUPPORT LAND WHEEL (180X180 TOOLBAR)
N/A	SHW8003860	CHAIN LAND DRIVE WHEEL (180X180 TOOLBAR) SPRING LOADED
N/A	SHW7704271	SUPPORT LAND WHEEL (180X180 TOOLBAR) MICROBAND/F180
N/A	SHW8003980	CHAIN LAND DRIVE WHEEL (210X100 TOOLBAR)
N/A	SHW7704303	SUPPORT LAND WHEEL (210X100 TOOLBAR)
N/A	SHW8003978	CHAIN LAND DRIVE WHEEL (210X100 TOOLBAR) SPRING LOADED
N/A	SHW7704367	SUPPORT LAND WHEEL (210X100 TOOLBAR) MICROBAND/F180



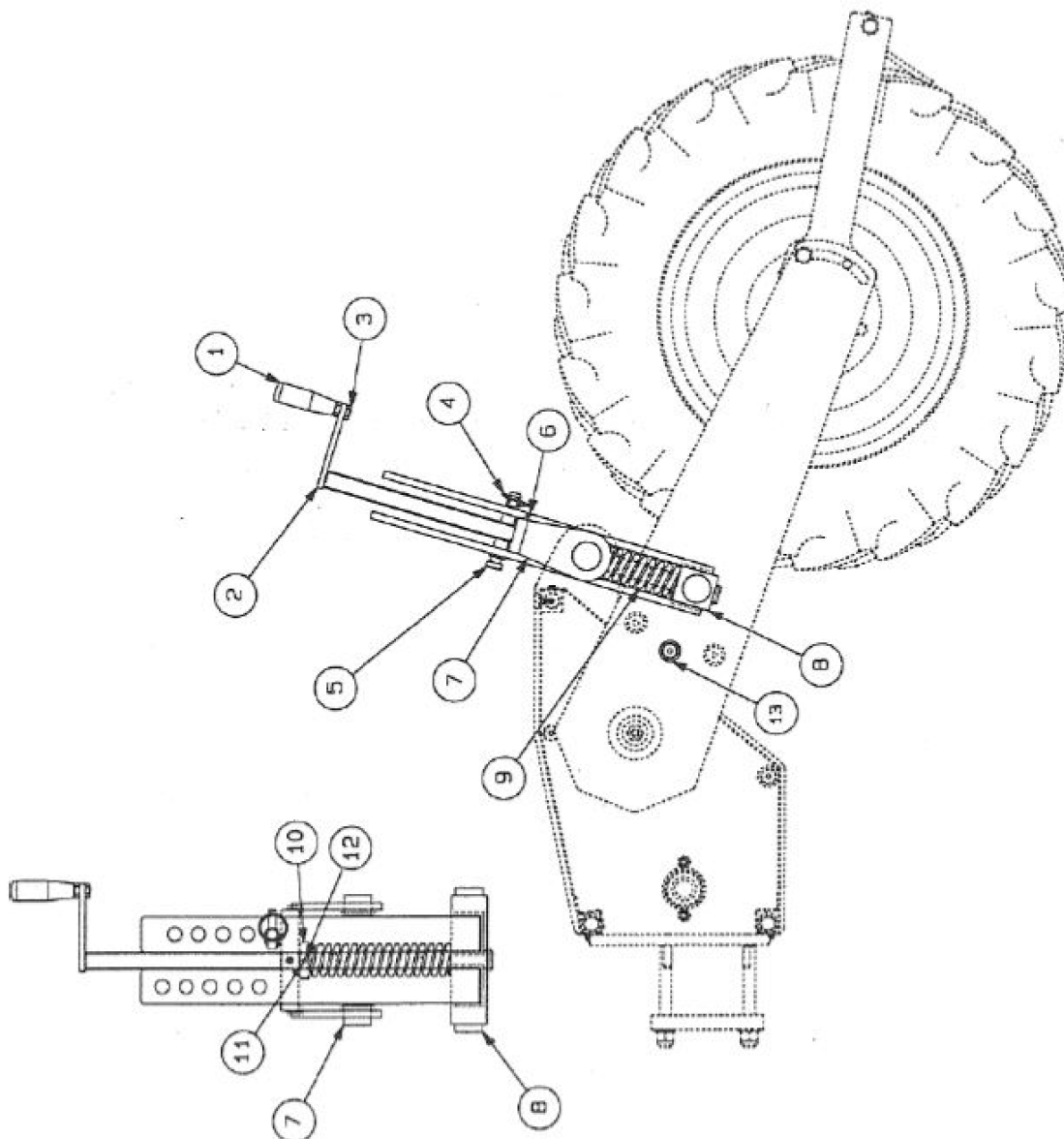
DETAIL ON ADJ. CHAIN LAND DRIVE WHEEL



ITEM NUMBER	PART NUMBER	DESCRIPTION
1	SHW6904325	TRUNION-PLAIN
2	SHW6904326	TRUNION-TAPPED
3	SHW7404620	JACK SCREW
4	SHW6904327	JACK SCREW COLLAR
5	SHW2303044	LOCKNUT
6	SHW6404036	HANDLE
7	SHW6401018	GREASER
8	SHW2215306	TENSION PIN-LARGE
9	SHW2215403	TENSION PIN-SMALL



ITEM NUMBER	PART NUMBER	DESCRIPTION
1	SHW6404036	HANDLE
2	SHW7404649	JACK CREW
3	SHW2303044	LOCKNUT
4	SHW2314759	LINCH PIN
5	SHW2314820	LINK PIN
6	SHW6401006	GREASE NIPPLE
7	SHW7404648	GEARBOX TRUNION
8	SHW7404647	WHEEL ARM TRUNION
9	SHW2701056	COMPRESSION SPRING
10	SHW6904365	JACK SCREW COLLAR
11	SHW2215306	TENSION PIN (LARGE)
12	SHW2215403	TENSION PIN (SMALL)
13	SHW6904382	WHEEL ARM SPACER (S/L)

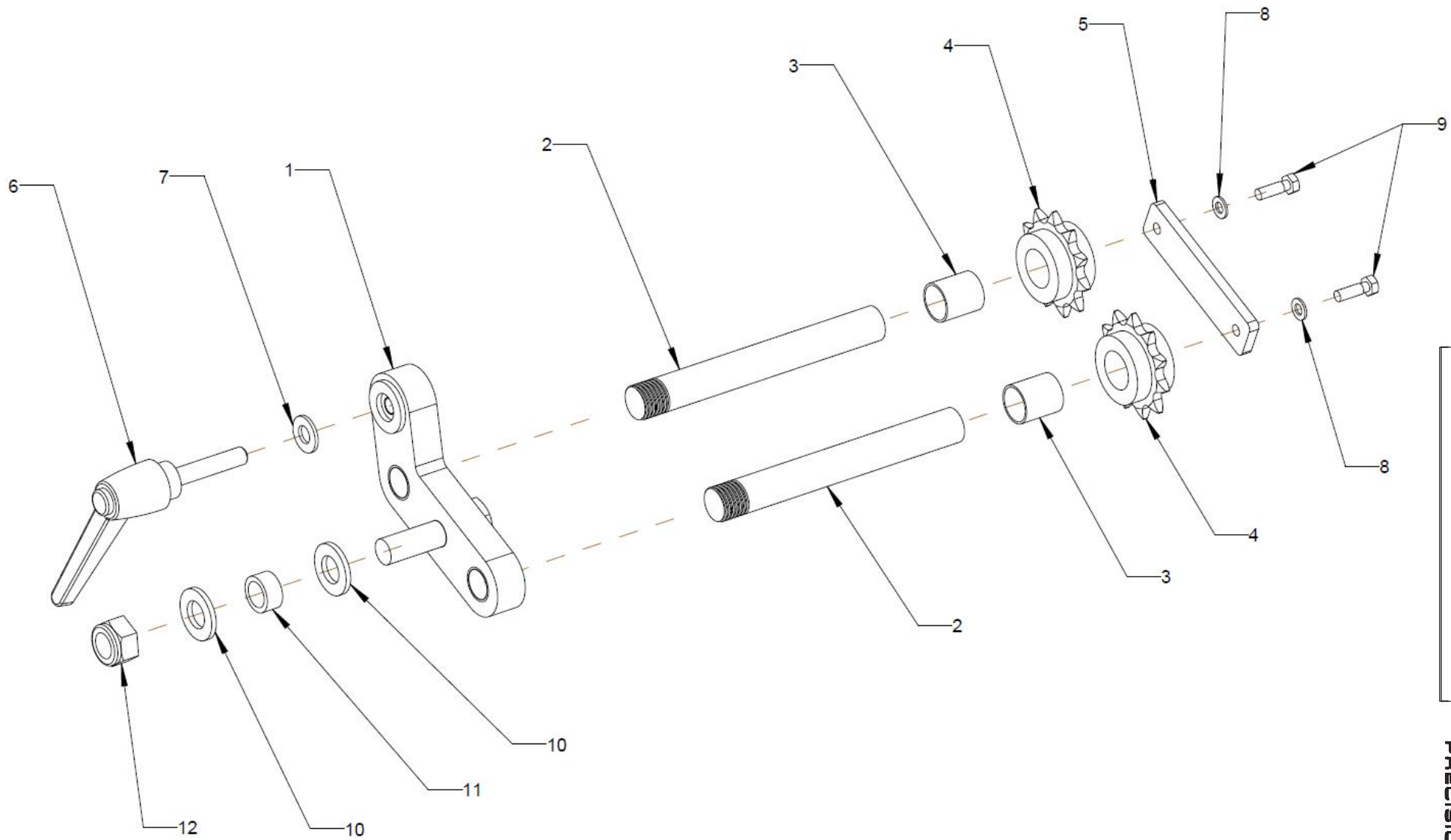


8.LANDWHEEL

TENSIONER

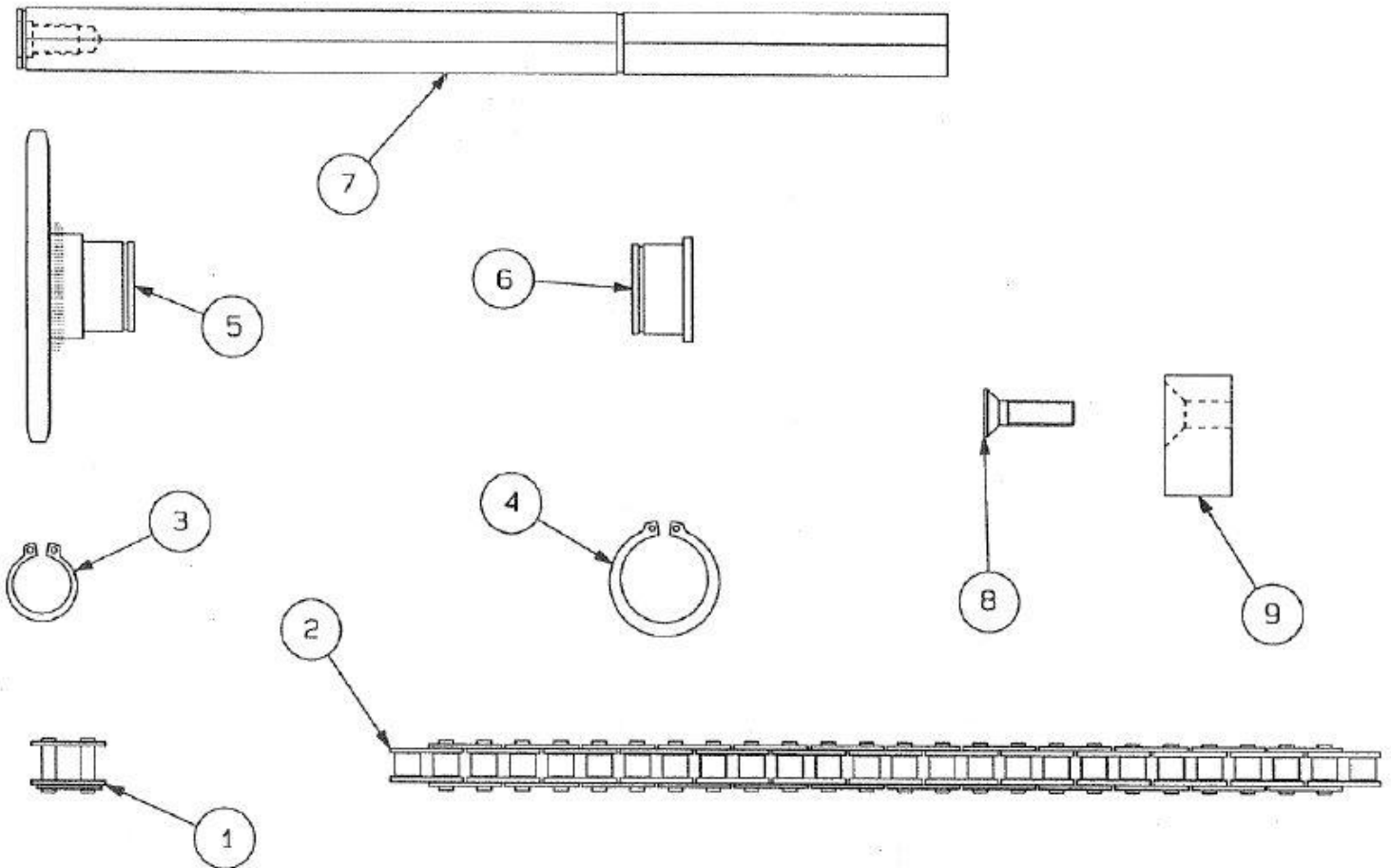


ITEM NUMBER	PART NUMBER	DESCRIPTION	QUANTITY
1	SHW7400045	JOCKEY WA	1
2	SHW6904323	JOCKEY SPINDLE	2
3	SHW2008014	GLACIER BEARING MB 1620	2
4	SHW1707157	11T JOCKEY SPROCKET	2
5	SHW6904324	SPINDLE TIE	1
6	SHW6404030	M8 INDEX HANDLE	1
7	SHW2311089	M8 WASHER FORM A	2
8	SHW2310111	M5 WASHER FORM A	2
9	SHW2309023	M5X16 SETSCREW	2
10	SHW2311091	M12 WASHER FORM A	2
11	SHW6900071	TENSIONER HOLE SPACER	1
12	SHW2303094	M12 NYLOC NUT	1



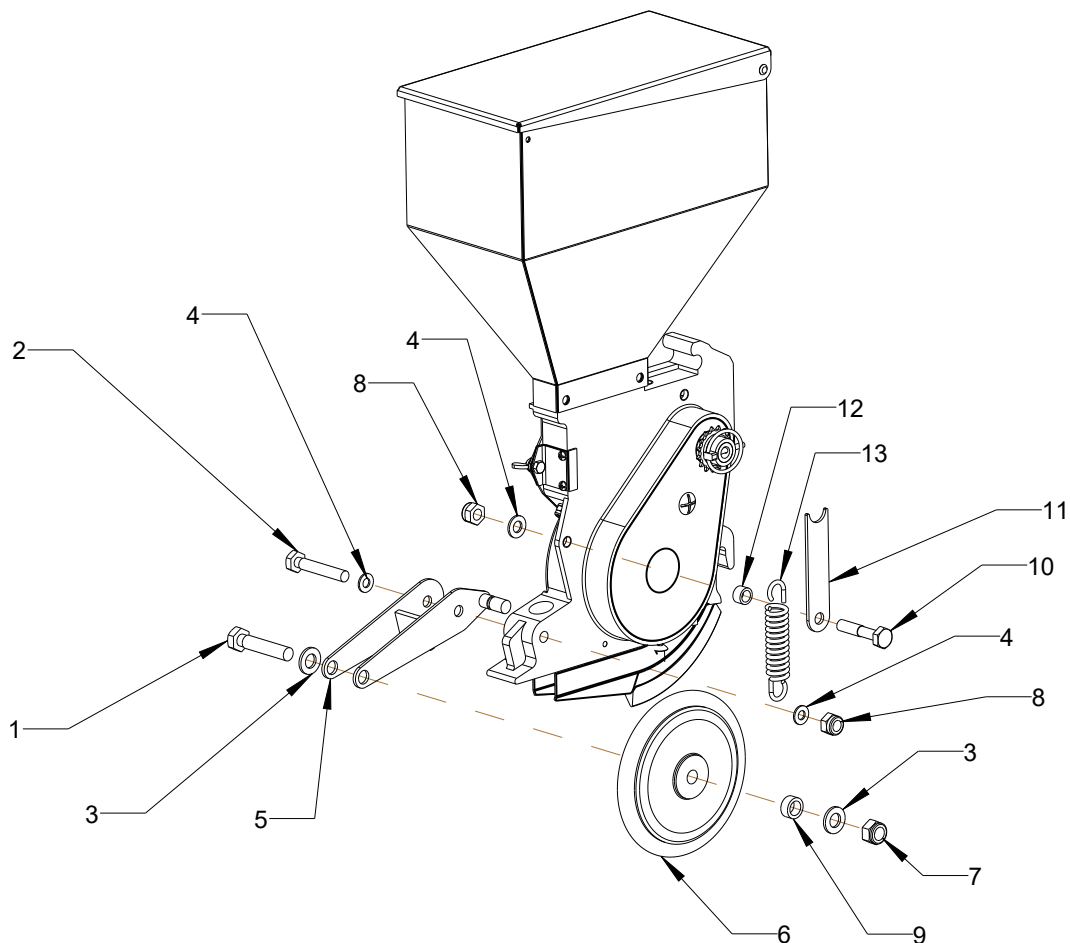
8.LANDWHEEL
TENSIONER

ITEM NUMBER	PART NUMBER	DESCRIPTION
1	SHW1808065	CONNECTING LINK
2	SHW1808083	125 PITCH CHAIN
3	SHW2217003	EXT. CIRCLIP
4	SHW2217009	EXT. CIRCLIP
5	SHW7404621	24T DRIVEN SPROCKET
6	SHW6904321	INPUT SHAFT HUB
7	SHW6904420	INPUT SHAFT
8	SHW2376064	SKT. CSK. SCREW
9	SHW6904333	DRIVE JOCKEY



9.PRESS WHEEL
SHW8003582

ITEM NUMBER	PART NUMBER	DESCRIPTION	QUANTITY
1	SHW2306098	M12X50 GR8.8 BOLT PLATED	1
2	SHW2309069	M10X60 GR8.8 SET SCREW1	1
3	SHW2311091	M12 PLAIN FLAT WASHER FORM A	2
4	SHW2311089	M8 PLAIN FLAT WASHER FORM A	3
5	SHW7404165	PRESS WHEEL FRAME W/A	1
6	SHW7703331	ZP SEED PRESS WHEEL	1
	SHW1901101	6201-2RS BALL BEARING	2
	SHW2217206	CIRCLIP 472-32X1.2	2
	SHW2820016	PRESS WHEEL TYRE	1
	SHW3000695	SEED PRESS WHEEL MACHINED	1
7	SHW2303094	M12 NYLOC NUT TYPE P	1
8	SHW2303093	M10 NYLOC NUT TYPE P	2
9	SHW6903775	PRESS WHEEL SPACER	1
10	SHW2306068	M10X50 GR8.8 BOLT	1
11	SHW6902266	P/W FRAME CATCH	11
12	SHW6902265	SPRING SPACER	12
13	SHW2702037	TENSION SPRING	13



10.ARM AND DRAG COVERERS

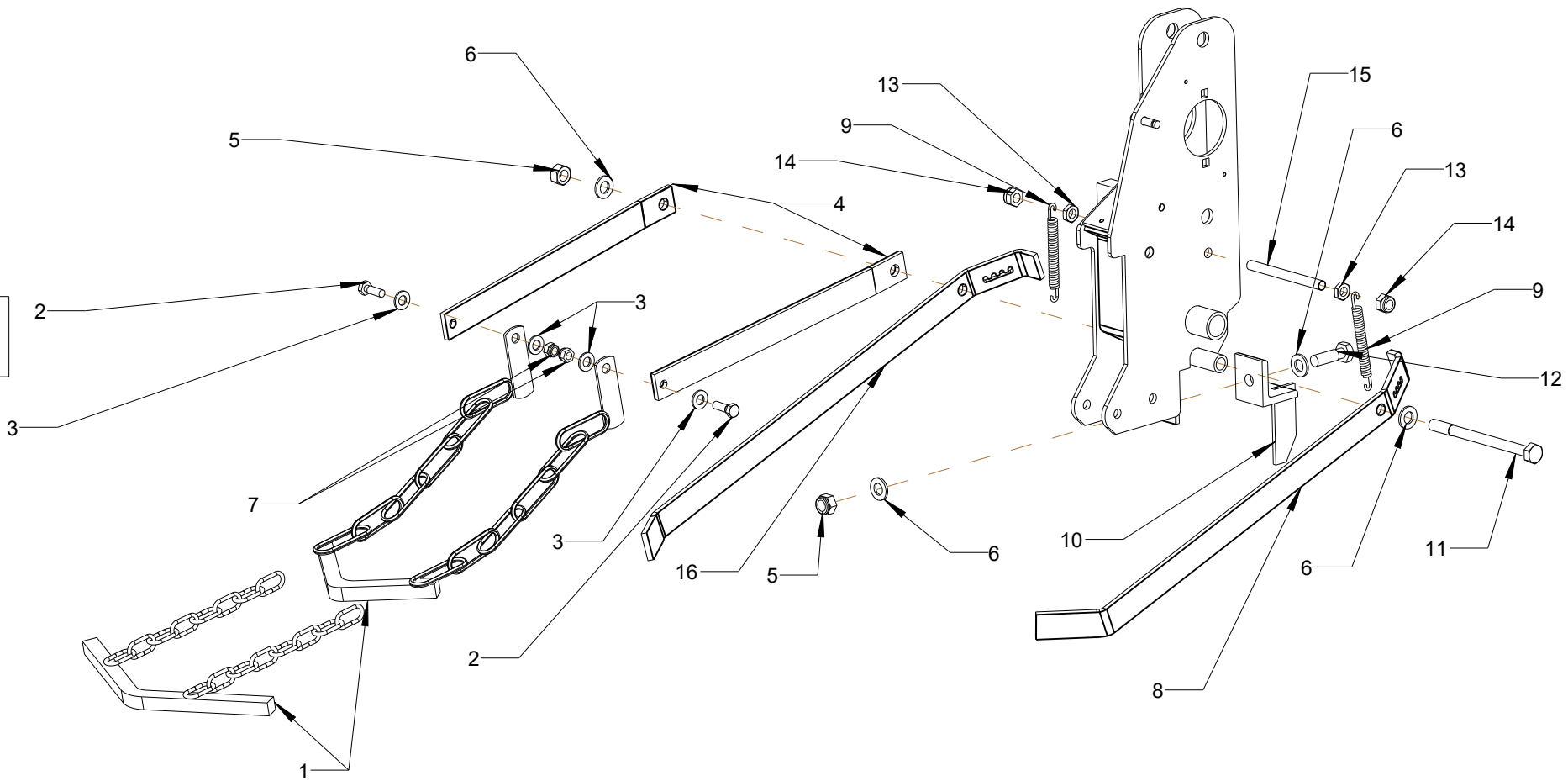
OPENER TINE



ITEM NUMBER	PART NUMBER	DESCRIPTION	QUANTITY
1	SHW7404460	DRAG COVERER W/A -325	1
	SHW7704459	DRAG COVERER W/A +325	1
2	SHW2309048	M8X25 BZP BOLT	2
3	SHW2311090	M8 FLAT WASHER FORM A	5
4	SHW6904135	DRAG COVERER ARM	2
5	SHW2303128	M12 NYLOC NUT	2
6	SHW2311091	M12 PLAIN FLAT WASHER FORM A	4
7	SHW2303092	M8 NYLOC NUT TYPE P	2
8	SHW6903836	R/H ARM COVERER SHORT	1
9	SHW2702002	TENSIONER SPRING	1
10	SHW7404208	OPENER TINE	1
11	SHW2306111	M12X150 GR 8.8 BOLT PALTED	1
12	SHW2306066	M10X40 GR8.8 BOLT PLATED	1
13	SHW2303044	M10 GR8 HEX LOCKNUT PLATED	1
14	SHW2303093	M10 NYLOC NUT TYPE P	1
15	SHW2309079	M12X35 GR8.8 SET SCREW	1

KITS	
PART NUMBER	DESCRIPTION
SHW8003723	DRAG COVERER (-325)
SHW8003722	DRAG COVERER (+325)
SHW8003591	ARM COVERER KIT STAGGERED
SHW7700057	L/H ONLY COVERER KIT
S77-00013	OPENER TINE SEVEN/NINE

29

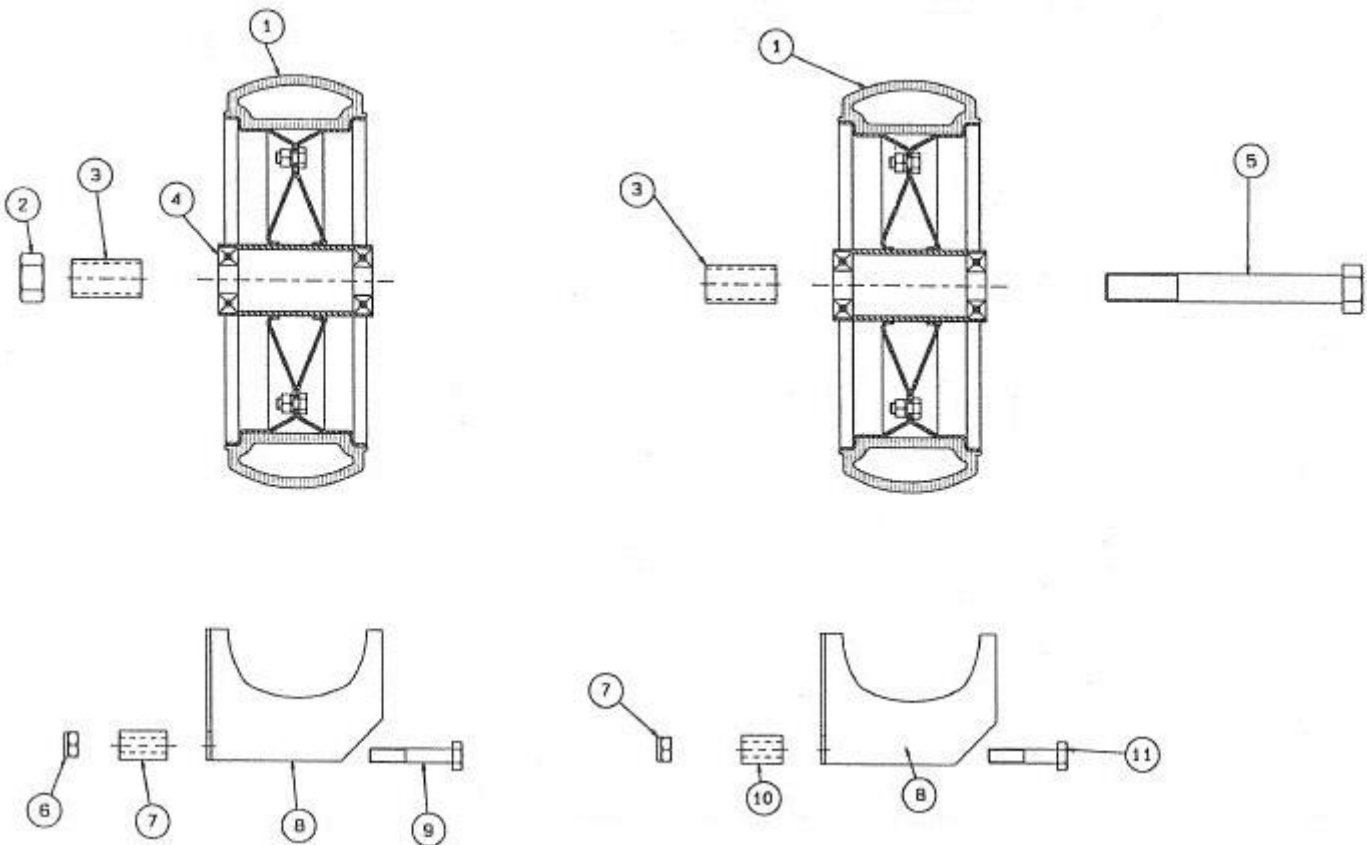


10.ARM AND DRAG COVERERS
OPENER TINE

11.WHEEL OPTIONS

ZERO PRESSURE WHEELS

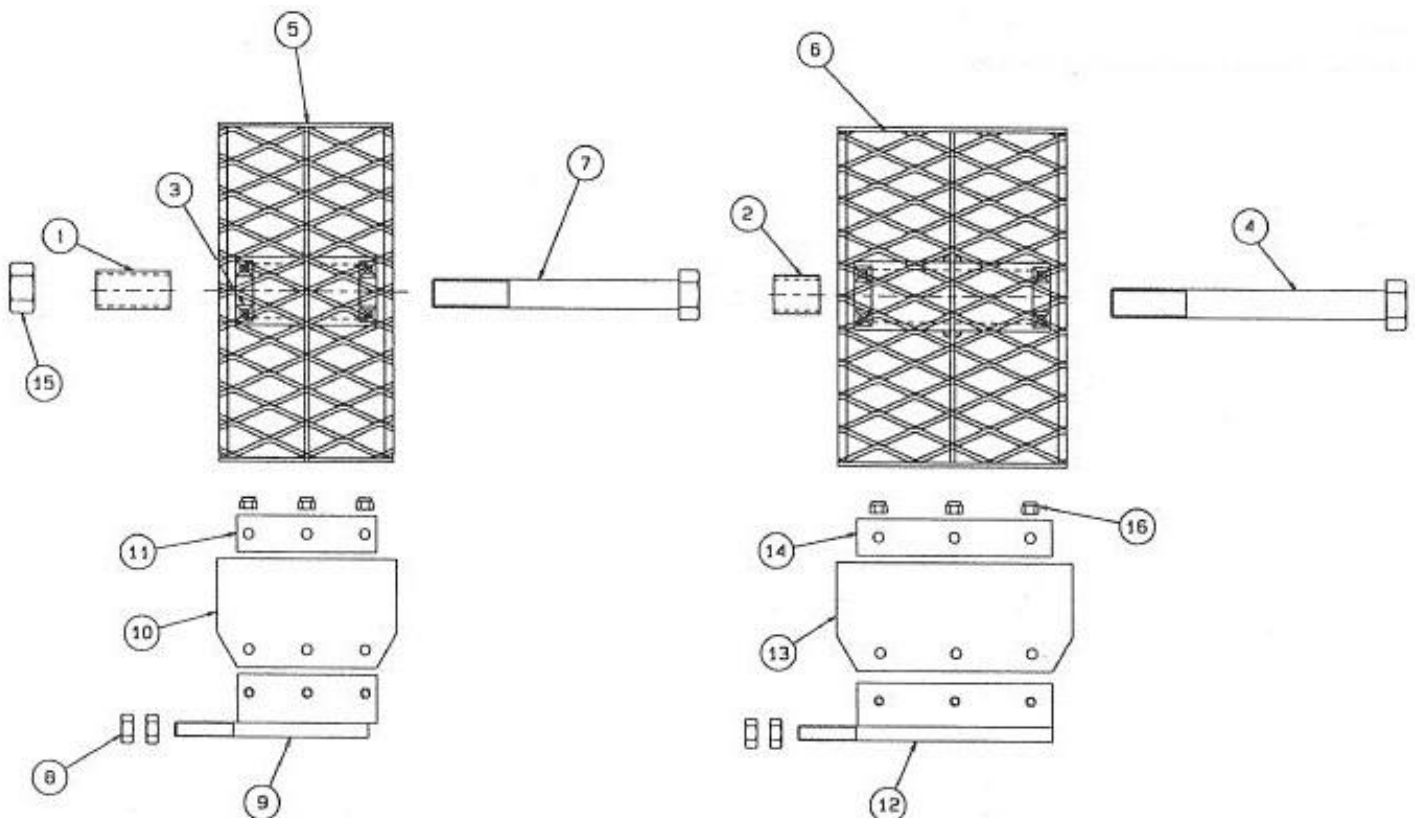
ITEM NUMBER	PART NUMBER	DESCRIPTION	QUANTITY
1	SHW5700398	ZERO PRESSURE WHEEL	1
2	SHW2303011	HEX NUT	1
3	SHW6904544	WHEEL SPACER	1
4	SHW1901049	BALL BEARING	2
5	SHW2303173	BOLT	1
6	SHW2303109	NYLOC NUT	AS REQUIRED
7	SHW690448	SCRAPER SPACER	1
8	SHW6903907	SCRAPER	1
9	SHW2306070	BOLT	1
10	SHW6904547	SCRAPER SPACER	1
11	SHW2306068	BOLT	1
KITS			
	PART NUMBER	DESCRIPTION	ITEMS
	SHW8003965	ZP SCRAPER KIT FRONT	6,7,8,9
	SHW8003961	ZP SCRAPER KIT REAR	6,8,10,11
	SHW8003967	ZP WHEEL & SCRAPER KIT FRONT	1,2,3,5,6,7,8,9
	SHW8003966	ZP WHEEL & SCRAPER KIT REAR	1,2,3,5,6,8,10,11



11.WHEEL OPTIONS

CAGE WHEELS

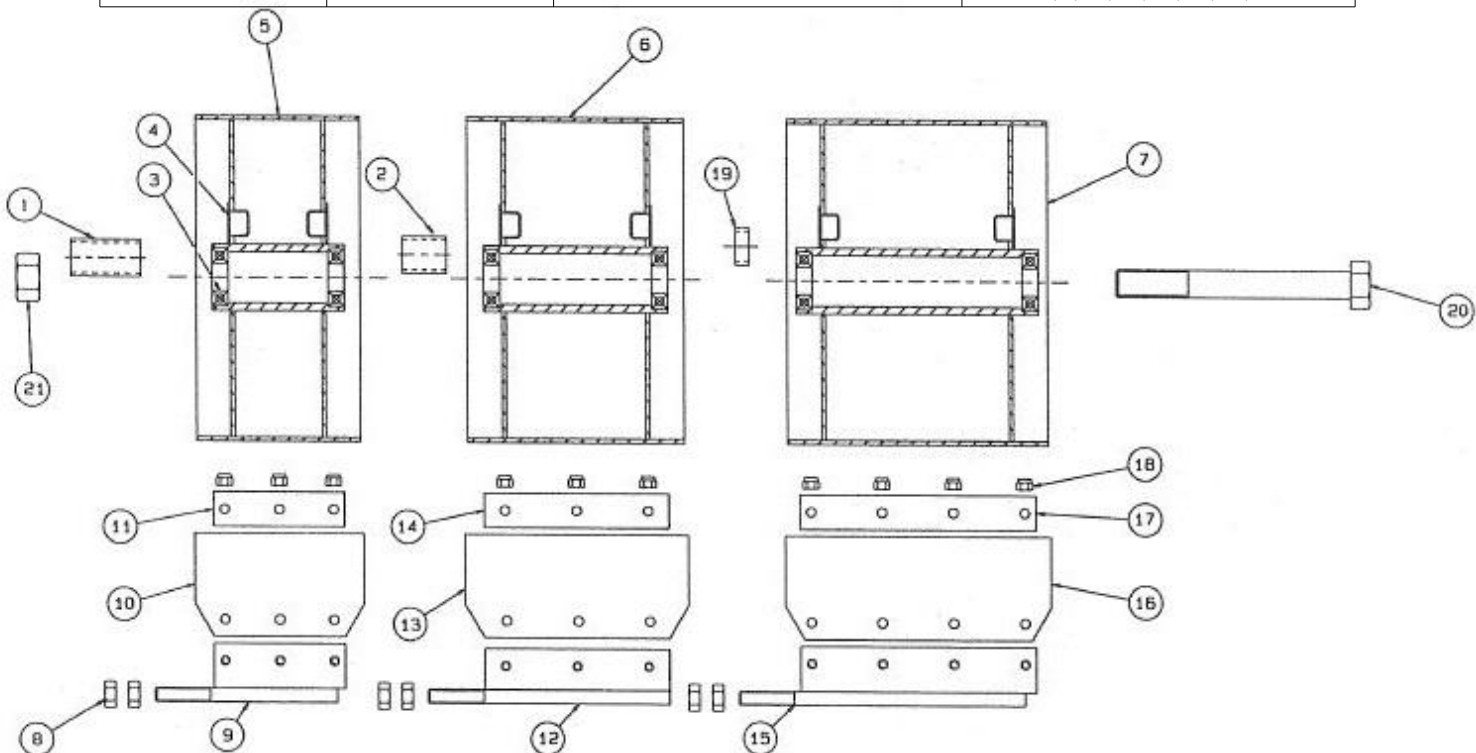
ITEM NUMBER	PART NUMBER	DESCRIPTION	QUANTITY
1	SHW6904545	120 WHEEL SPACER	1
2	SHW6904543	160 WHEEL SPACER	1
3	SHW1901049	BALL BEARING	2
4	SHW2306174	BOLT (160C WHEEL)	1
5	SHW7704198	120C WHEEL-COMplete	1
6	SHW7703846	160C WHEEL-COMplete	1
7	SHW2306172	BOLT (120C WHEEL)	1
8	SHW2303008	HEX NUT	2
9	SHW7404804	120 SCRAPER PLATE	1
10	SHW6903541	120 SCRAPER BLADE	1
11	SHW6903542	120 SCRAPER CLAMP	1
12	SHW7404806	160 SCRAPER PLATE	1
13	SHW6903720	160 SCRAPER BLADE	1
14	SHW6903721	160 SCRAPER CLAMP	1
15	SHW2303011	HEX NUT	1
16	SHW2303091	NYLOC NUT-FULL	AS REQUIRED
KITS			
	PART NUMBER	DESCRIPTION	ITEMS
	SHW8003962	120 WHEEL SCRAPER	8,9,10,11,16
	SHW8003963	160 WHEEL SCRAPER	8,12,13,14,16
	SHW8003968	120C WHEEL & SCRAPER KIT	1,5,7,8,9,10,11,15,16
	SHW8003970	160C WHEEL & SCRAPER KIT	2,4,6,8,12,13,14,15,6



11.WHEEL OPTIONS

STAINLESS WHEELS

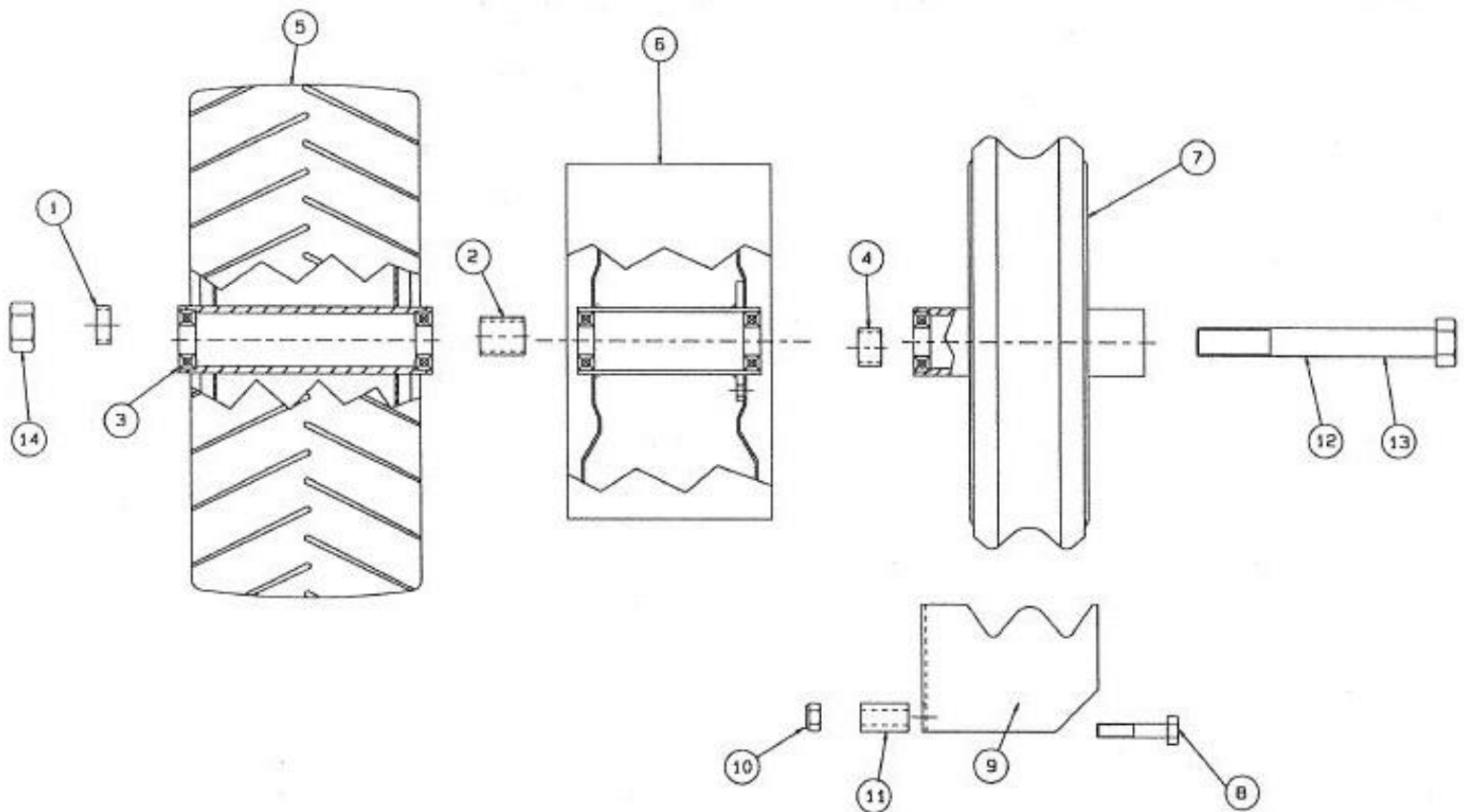
ITEM NUMBER	PART NUMBER	DESCRIPTION	QUANTITY
1	SHW6904545	120 WHEEL SPACER	1
2	SHW6904543	160 WHEEL SPACER	1
3	SHW1901049	BALL BEARING	2
4	SHW2830001	RUBBER BUNG	2
5	SHW7703705	120S WHEEL-COMP ASSY	1
6	SHW7703845	160S WHEEL-COMP ASSY	1
7	SHW7703718	200S WHEEL-COMP ASSY	1
8	SHW2303008	HEX NUT	2
9	SHW7403893	120 SCRAPER PLATE	1
10	SHW6903541	120 SCRAPER BLADE	1
11	SHW6903542	120 SCRAPER CLAMP	1
12	SHW7404091	160 SCRAPER PLATE	1
13	SHW6903720	160 SCRAPER BLADE	1
14	SHW6903721	160 SCRAPER CLAMP	1
15	SHW7403902	200 SCRAPER PLATE	1
16	SHW6903647	200 SCRAPER BLADE	1
17	SHW6903648	200 SCRAPER CLAMP	1
18	SHW2303091	NYLOC NUT TYPE P	AS REQUIRED
19	SHW6903906	200 WHEEL SPACER	1
20	SHW2306172	BOLT (120S WHEEL)	1
	SHW2306174	BOLT (160S WHEEL)	1
	SHW2306176	BOLT (200S WHEEL)	1
21	SHW2303011	HEX NUT	1
KITS			
	PART NUMBER	DESCRIPTION	ITEMS
	SHW8003962	120 WHEEL SCRAPER	8,9,10,11,18
	SHW8003963	160 WHEEL SCRAPER	8,12,13,14,18
	SHW8003957	200 WHEEL SCRAPER	8,15,16,17,18
	SHW8003969	120S WHEEL & SCRAPER KIT	1,5,8,9,10,11,18,20,21
	SHW8003971	160S WHEEL & SCRAPER KIT	2,6,8,12,13,14,18,20,21
	SHW8003972	200S WHEEL &SCRAPER KIT	7,8,15,16,18,19,20,21



11.WHEEL OPTIONS

LARGE,MEDIUM,CONCAVE

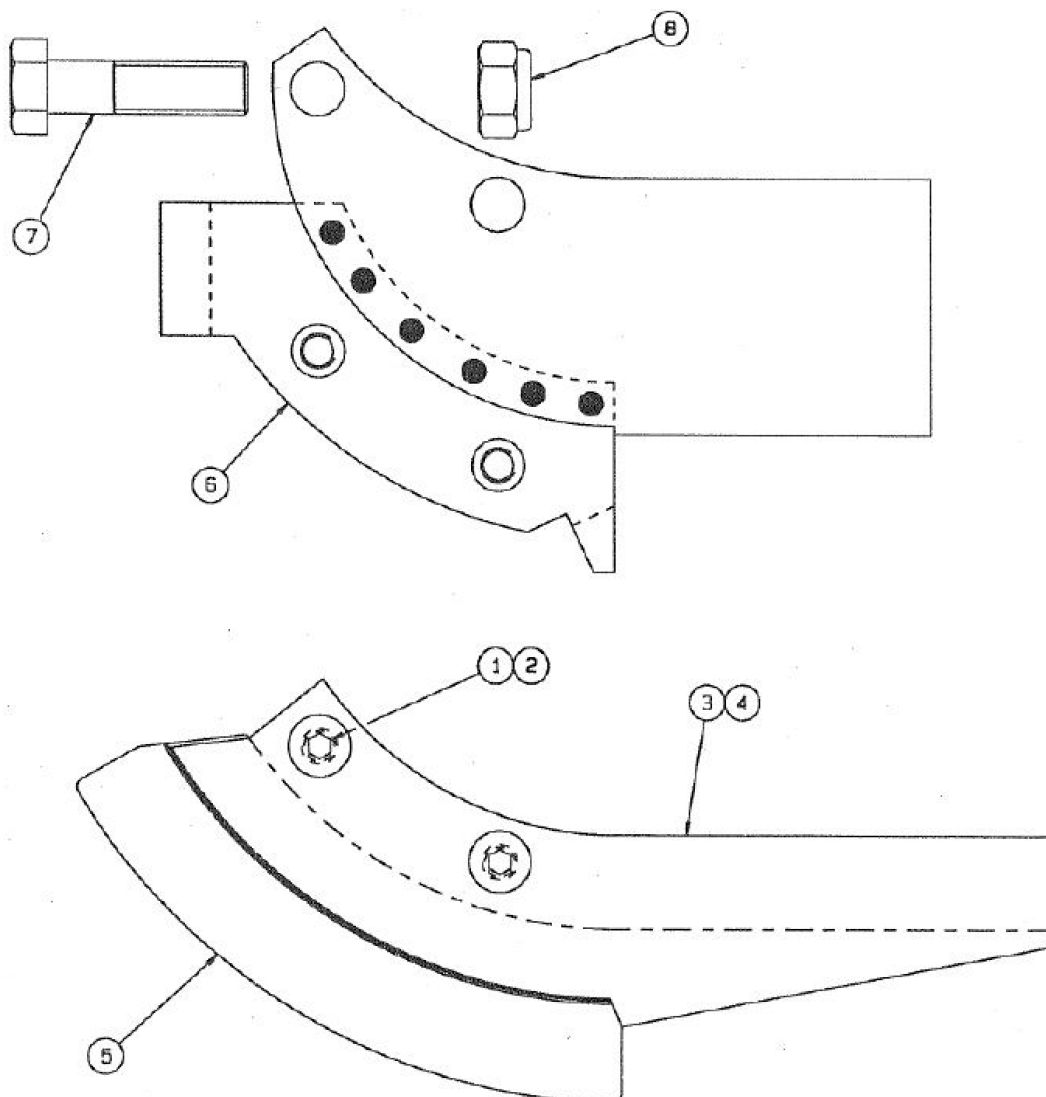
ITEM NUMBER	PART NUMBER	DESCRIPTION	QUANTITY
1	SHW6903906	LZP SPACER	1
2	SHW6904064	LZP SPACER	1
3	SHW1901049	BALL BEARING	2
4	SHW6903961	ZPC SPACER	1
5	SHW5700387	LZP WHEEL	1
6	SHW5700422	MZP WHEEL	1
7	SHW5700404	ZPC WHEEL	1
8	SHW2306068	BOLT	1
9	SHW6903694	ZP CONCAVE SCRAPER	1
10	SHW2303109	NYLOC NUT FULL TYPE P	3
11	SHW6904548	SCRAPER SPACER	1
12	SHW2306174	BOLT (MZP)	1
13	SHW2306176	BOLT (LZP/ZPC)	1
14	SHW2303011	HEX NUT	1
KITS			
	PART NUMBER	DESCRIPTION	ITEMS
	SHW8003973	ZERO PRESSURE CONCAVE (ZPC) WHEEL AND SCRAPER KIT	4,7,8,9,10,11,13,14
	SHW8003974	MEDIUM ZERO PRESSURE (MZP) WHEEL KIT	2,6,12,14
	SHW8003975	LARGE ZERO PRESSURE (LZP) WHEEL KIT	1,5,13,14



12.COULTER OPTIONS

SINGLE LINE

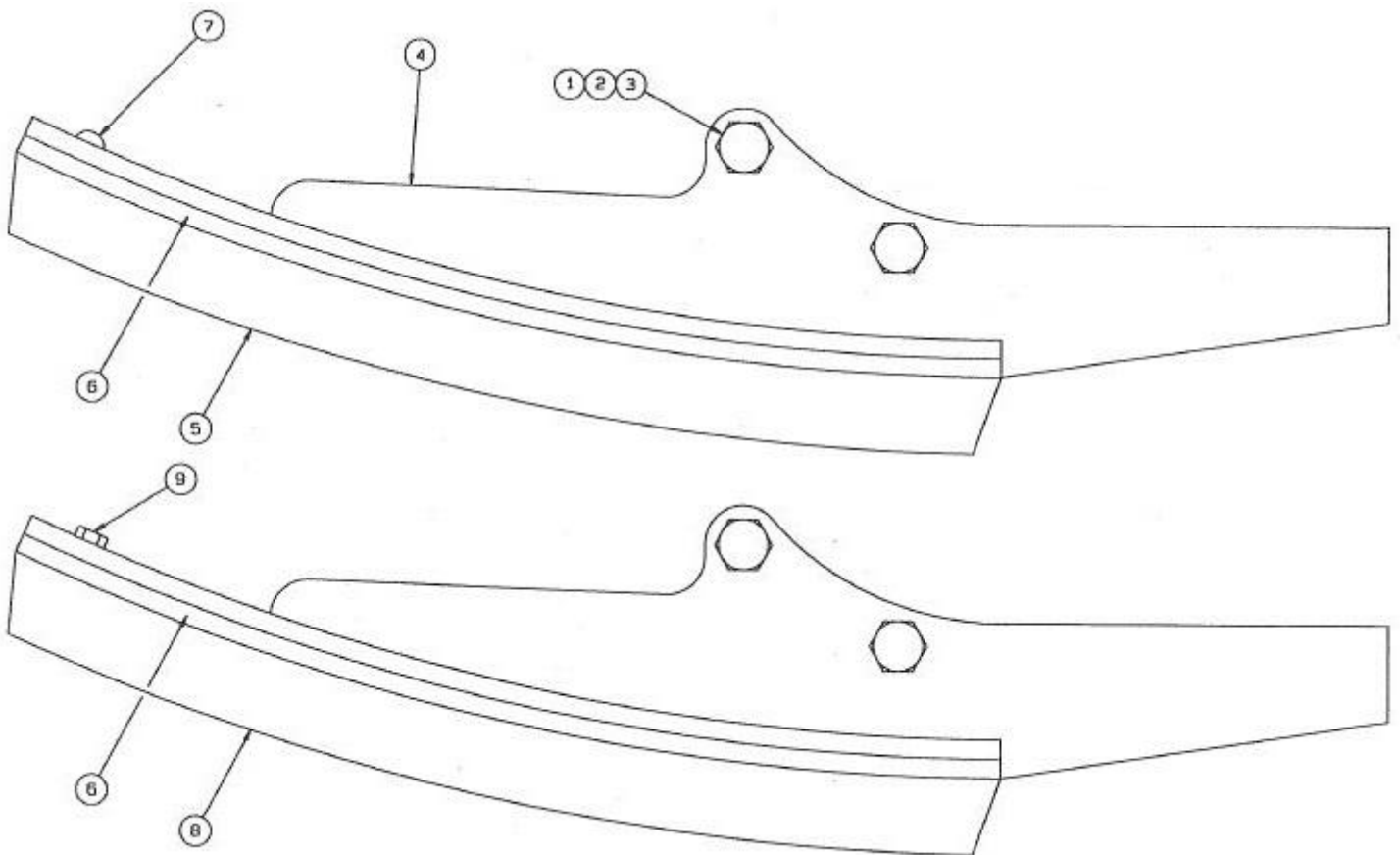
ITEM NUMBER	PART NUMBER	DESCRIPTION	QUANTITY
1	SHW2377079	SOCKET BUTTON SCREW	2
2	SHW6902351	COULTER SCREW BOSS	2
3	SHW3210176	COULTER SIDE RH	1
4	SHW3210177	COULTER SIDE LH	1
5	SHW3000495	COULTER INSERT-CAST IRON	1
	SHW8010030	COULTER INSERT CERAMIC	1
6	SHW7404003	HYLINE ADAPTOR	1
7	SHW2306097	HEXAGON BOLT	2
8	SHW2303110	NYLOC NUT-THIN	2
KITS			
	PART NUMBER	DESCRIPTION	QUANTITY
	SHW8002617	COULTER KIT-CAST IRON	1,2,3,4,5
	SHW8002550	COULTER KIT-CERAMIC	1,2,3,4,5
	SHW8003510	HIGHLINE SINGLE LINE ADAPTOR	6,7,8



12.COULTER OPTIONS

LOLINE SKI

ITEM NUMBER	PART NUMBER	DESCRIPTION	QUANTITY
1	SHW2306038	HEX BOLT	2
2	SHW2303007	HEX NUT	2
3	SHW6902652	COULTER SCREW SPACER	2
4	SHW7403461	SL NS COULTER BODY	1
5	SHW8010075	NS SHOE RIB-PLASTIC	1
6	SHW6903186	SL NS SHOE BASE	1
7	SHW2286008	SLOTTED HEAD CREW	3
8	SHW8010076	NS SHOE RIB CAST IRON	1
9	SHW2309015	HEX SCREW	3
N/A	SHW7703307	NON-STICK COULTER ASSEMBLY-PLASTIC	1,2,3,4,5,6,7
N/A	SHW7703503	NON-STICK COULTER ASSEMBLY-CAST	1,2,3,4,5,6,8

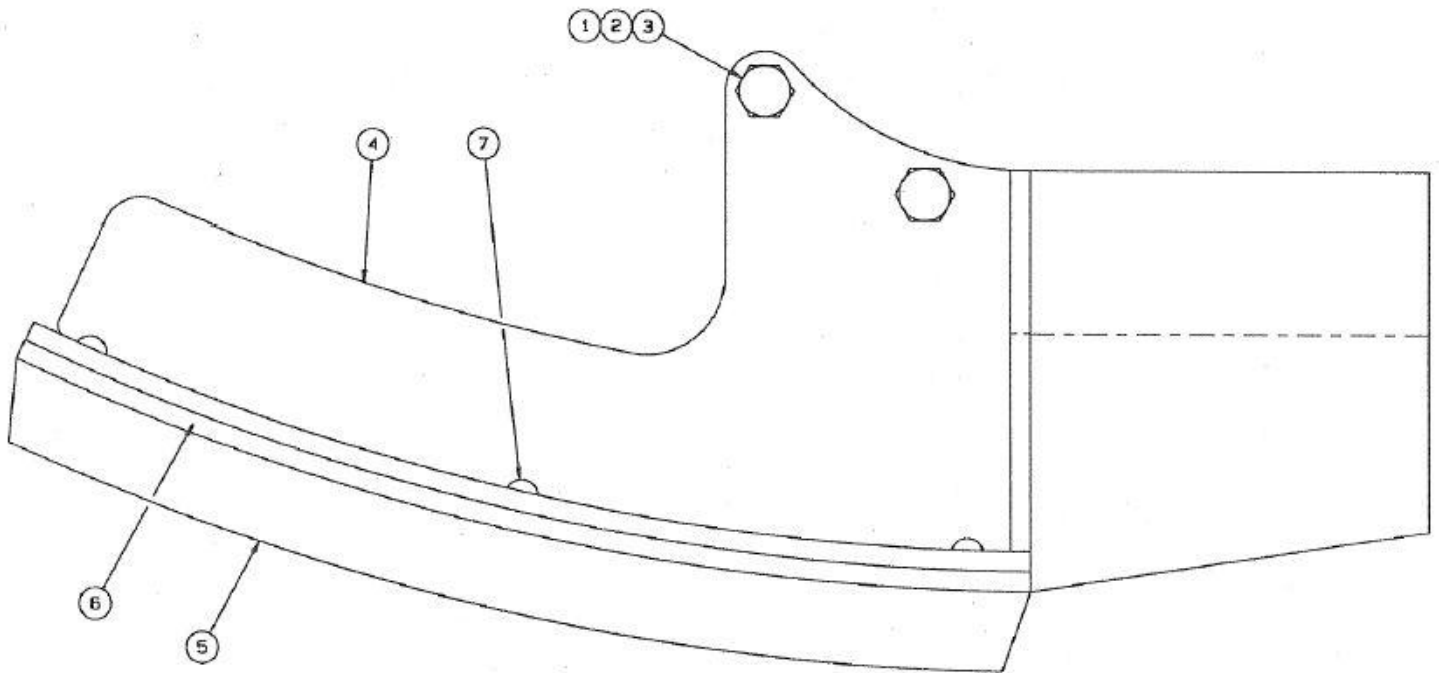


12.COULTER OPTIONS

HYLINE SKI PLASTIC



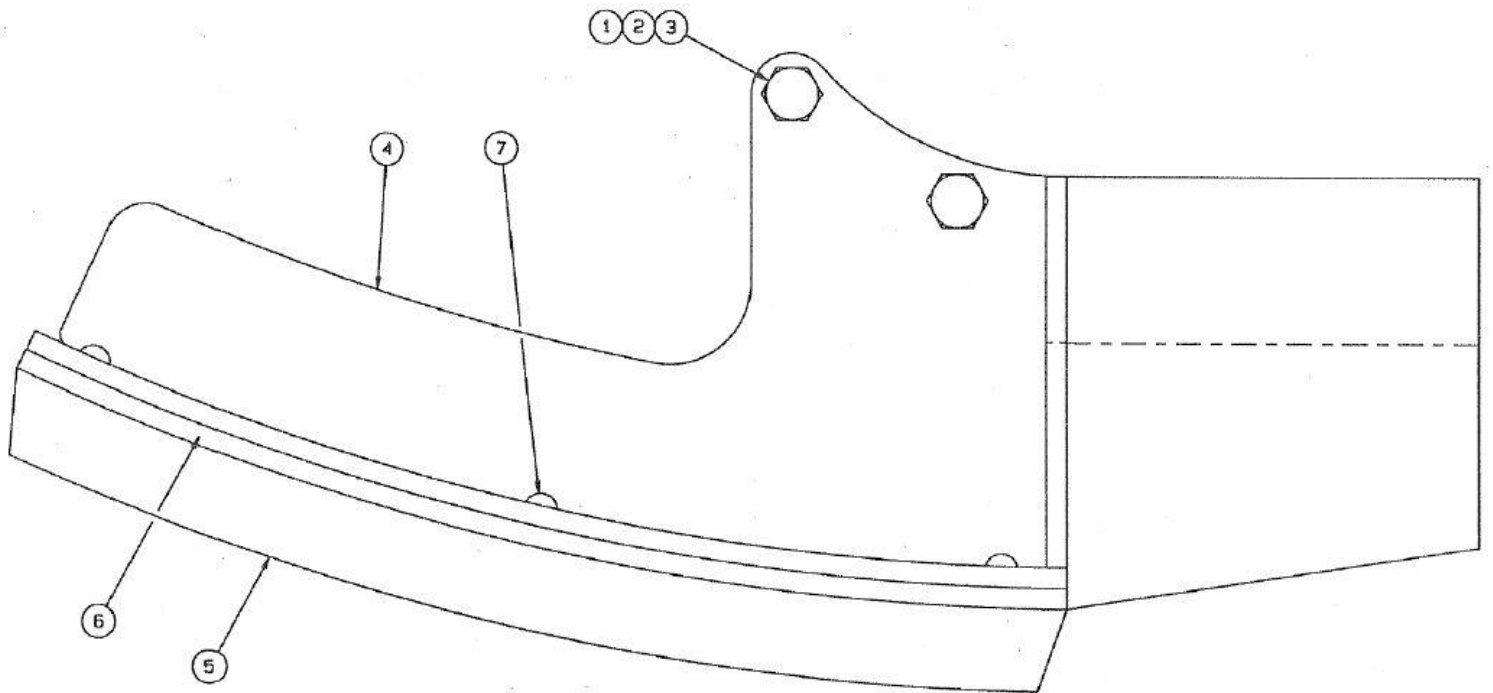
ITEM NUMBER	PART NUMBER	DESCRIPTION	QUANTITY
1	SHW2306038	HEX BOLT	2
2	SHW2303007	HEX NUT	2
3	SHW6902652	COULTER SCREW SPACER	2
4	SHW740366	SL NS COULTER BODY	1
5	SHW8010075	NS SHOW RIB-PLASTIC	1
6	SHW6903186	SLNS SHOE BASE	1
7	SHW2286008	SLOTTED HEAD SCREW	3
N/A	SHW7703504	NON-STICK COULTER ASSY PLASTIC	N/A



12.COULTER OPTIONS

HYLINE SKI CAST IRON

ITEM NUMBER	PART NUMBER	DESCRIPTION	QUANTITY
1	SHW2306038	HEXAGON BOLT	2
2	SHW2303007	HEXAGON NUT	2
3	SHW6902652	COULTER SCREW SPACER	2
4	SHW7403663	SL NS COULTER BODY	1
5	SHW8010076	NS SHOE RIB-CAST IRON	1
6	SHW6903186	SL NS SHOE BASE	1
7	SHW2309015	HEXAGON SCREW	3



13.HEADSTOCK

TOOLBARS AND SHAFTS

ITEM NUMBER	PART NUMBER	DESCRIPTION	QUANTITY
1	SHW6904491	1.00m TOOLBAR (100X100X5)	N/A
	SHW6904557	1.20m TOOLBAR (100X100X5)	N/A
	SHW6904187	1.40m TOOLBAR (100X100X5)	N/A
	SHW6902856	1.50m TOOLBAR (100X100X5)	N/A
	SHW6902857	2.00m TOOLBAR (100X100X5)	N/A
	SHW6903127	2.15m TOOLBAR (100X100X5)	N/A
	SHW6902743	2.50m TOOLBAR (100X100X5)	N/A
	SHW6902929	2.70m TOOLBAR (100X100X5)	N/A
	SHW6902744	3.00m TOOLBAR (100X100X5)	N/A
	SHW6902745	3.50m TOOLBAR (100X100X5)	N/A
	SHW6902746	4.00m TOOLBAR (100X100X5)	N/A
	SHW6902747	4.50m TOOLBAR (100X100X5)	N/A
2	SHW6904512	2.00m TOOLBAR (100X100X10)	N/A
	SHW6904558	3.15m TOOLBAR (100X100X10)	N/A
	SHW6903477	3.50m TOOLBAR (100X100X10)	N/A
	SHW6903478	4.00m TOOLBAR (100X100X10)	N/A
	SHW6903475	4.50m TOOLBAR (100X100X10)	N/A
	SHW6902748	5.00m TOOLBAR (100X100X10)	N/A
	SHW6902749	5.50m TOOLBAR (100X100X10)	N/A
	SHW6902917	6.10m TOOLBAR (100X100X10)	N/A
	SHW6903163	6.50m TOOLBAR (100X100X10)	N/A
	SHW690353	7.00m TOOLBAR (100X100X10)	N/A
	SHW6903302	8.00m TOOLBAR (100X100X10)	N/A
3	S74-00011	HSTOCK SEVEN/NINE W/A	1
4	S74-00002	LOW LIFT LH HS BRACKET	1
5	S74-00001	LOW LIFT RH HS BRACKET	1
6	SHW2303129	M16 PILIDAS NUT	6
7	SHW2311092	M16 PLAIN FLAT WASHER FORM A	12
8	SHW2309108	M20X50 GR8.8 SET SCREW	6
9	SHW2303011	M20GR8 HEX NUT PLATED	6
10	SHW2311219	M20 SPRING WASHER	12
11	SHW2314780	LINCH PIN 7/16" 11mm	3

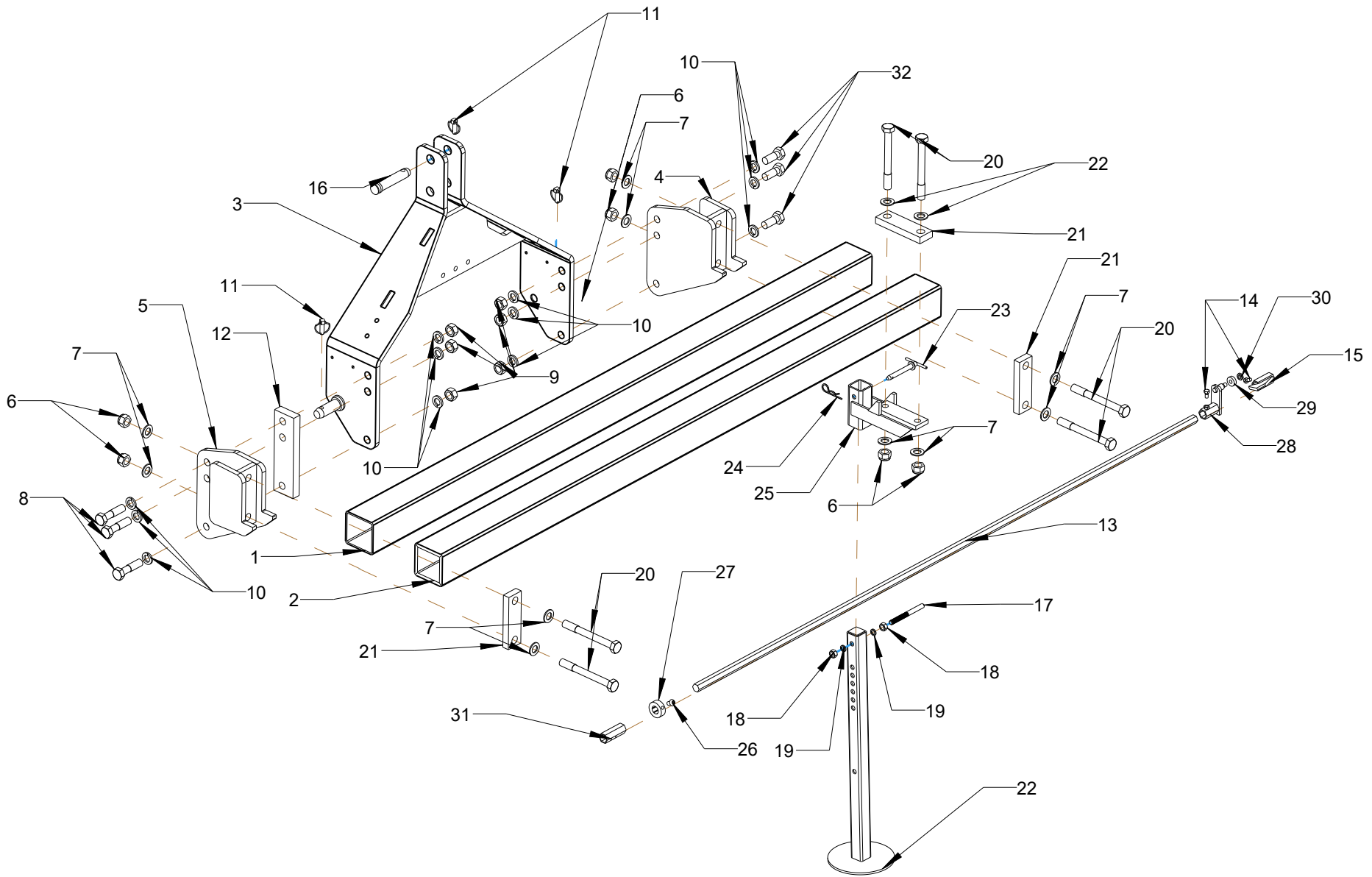
13.HEADSTOCK

TOOLBARS AND SHAFTS

ITEM NUMBER	PART NUMBER	DESCRIPTION	QUANTITY
12	SHW6904267	HEADSTOCK BRACKET SPACER	1
13	SHW692252	4.50m DRIVE SHAFT	N/A
	SHW6902921	4.00m DRIVE SHAFT	N/A
	SHW6902982	3.50m DRIVE SHAFT	N/A
	SHW6902920	3.00m DRIVE SHAFT	N/A
	SHW6902251	2.75m DRIVE SHAFT	N/A
	SHW6902357	2.50m DRIVE SHAFT	N/A
	SHW6902322	2.15m DRIVE SHAFT	N/A
	SHW6902469	2.00m DRIVE SHAFT	N/A
	SHW6902321	1.80m DRIVE SHAFT	N/A
	SHW6902374	1.72m DRIVE SHAFT	N/A
	SHW6902102	1.50m DRIVE SHAFT	N/A
	SHW6903943	1.25m DRIVE SHAFT	N/A
	SHW6903888	4.00m DRIVE SHAFT	N/A
	SHW6904188	4.00m DRIVE SHAFT	N/A
14	SHW2309046	M8X16 GR8.8 SET SCREW	2
15	SHW7404574	COUPLING FIN HALF	1
16	SHW2314813	TOP LINK PIN	1
17	SHW76902100	STAND HANDLE	1
18	SHW2303009	M12 GR8 HEX NUT PLATED	2
19	SHW2311217	M12 SPRING WASHER	2
20	SHW2306144	M16X180 GR8.8 BOLT PLATED	6
21	SHW6903077	CLASP PLATE 100M16	3
22	SHW7402141	STAND UPRIGHT	1
23	SHW7402238	SUPPORT PIN W/A	1
24	SHW2316033	R-CLIP	1
25	SHW7403258	PARKING STAND BRACKET W/A	1
26	SHW2377104	M10X16 SKT BUTTON HD SCREW	1
27	SHW6902352	LOCKING COLLAR	1
28	SHW7404212	COUPLING BEARING HALF	1
29	SHW1901045	BALL BEARING	1
30	SHW2303044	M10 GR8.8 HEX LOCKNUT PLATED	1
31	SHW6900073	MUFF COUPLING	1

KITS AND ASSEMBLIES		
PART NUMBER	DESCRIPTION	ITEM NUMBERS
SHW8003792	COUPLING DRIVE KIT	14,15,29,30,31
SHW7703757	LOCKING COLLAR	27,28
SHW7703169	PARKING STAND ASSEMBLY	6,7,17,18,19,20,21,22,23,24,25,26

40



13. HEADSTOCK
TOOLBARS AND SHAFTS

14.STACKER

S77-00003



ITEM NUMBER	QUANTITY	PART NUMBER	DESCRIPTION
1	1	SHW7700094	CENTRE SECTION ASSY
2	2	SHW7400133	STRAIGHT FOLDER ARM WA
3	1	SHW7700097	WING TOOLBAR ASSY LH
4	1	SHW7700096	WING TOOLBAR ASSY RH
5	1	SHW7400137	UPPER WING BEAM LH WA
6	1	SHW7400134	UPPER WING BEAM RH
7	6	SHW6900299	FRAME SPACER
8	2	SHW4105035	FOLDER RAM
9	1	SHW6900301	TIE BAR
10	2	SHW7400141	OUTER PIN MK2
11	2	SHW7400142	INNER GULL PIN WA
12	4	SHW7400143	CENTRE PIN WA
13	8	SHW6900300	PIN WASHER
14	8	SHW2311095	M30 FORM A
15	4	SHW6900032	FOLDER RAM CLEVIS PIN
16	4	SHW6900048	PIN LOBE SPACER
17	2	S77-00001	HD PARKING STAND ASSY 100TB
18	1	SHW6900047	HYD HOSE BANK

