

Salvo

650

Parts Manual

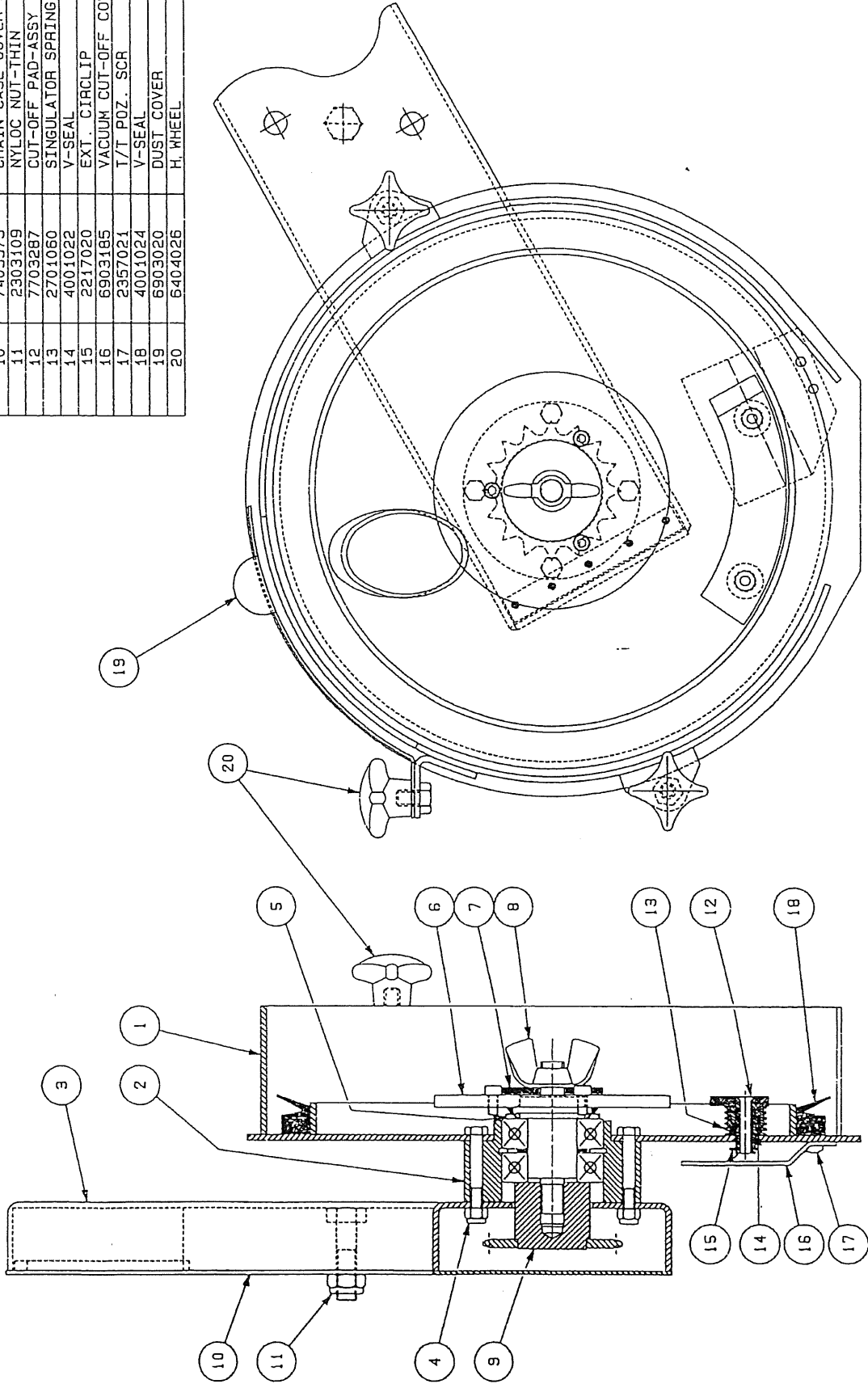
SALVO 650
PARTS MANUAL

CONTENTS

DESCRIPTION	PAGE NO.
Metering Unit Body	2
Metering Unit Lid	3
Metering Unit Spindle & Bearing Housing	4
Singulator	5
Runner Opener	6
Chassis	7
Parallel Link	8
Rear Wheel Arm	9
Front Wheel Arm	10
Zero Pressure Wheel	11
Clod Deflector	12
Drive Landwheel	13
Support Landwheel	14
Fan/Headstock	15
Vacuum Manifold / Sensor	16
Seed Plate List	17

METERING UNIT

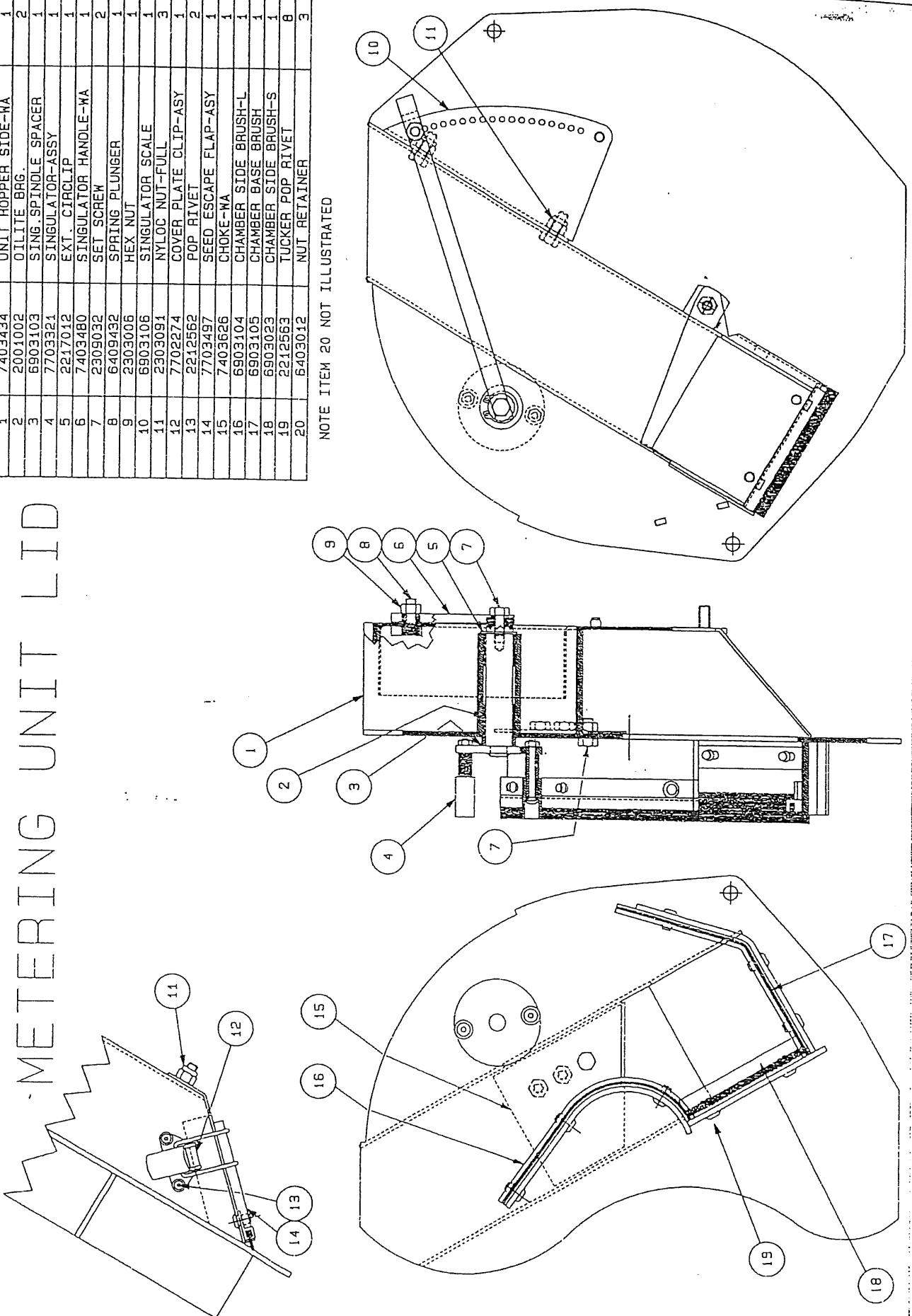
1	7403432	UNIT BODY SIDE-WA	1
2	7703286	UNIT BRG. HOUSING	1
3	7403574	CHAIN CASE-WA	1
4	2303091	NYLOC NUT-FULL	4
5	4001023	NYLOS RING	1
6	7703289	UNIT DRIVE SPIND-ASY	1
7	6903031	DISC WASHER	1
8	2303187	WING NUT-HS	1
9	7403479	SPROCKET HUB-WA	1
10	7403575	CHAIN CASE COVER-WA	1
11	2303109	NYLOC NUT-THIN	1
12	7703287	CUT-OFF PAD-ASSY	1
13	2701060	SINGULATOR SPRING	2
14	4001022	V-SEAL	2
15	2217020	EXT. CIRCLIP	2
16	6903185	VACUUM CUT-OFF COVER	1
17	2357021	T/T POZ. SCR	2
18	4001024	V-SEAL	1
19	6903020	DUST COVER	1
20	6404026	H. WHEEL	3



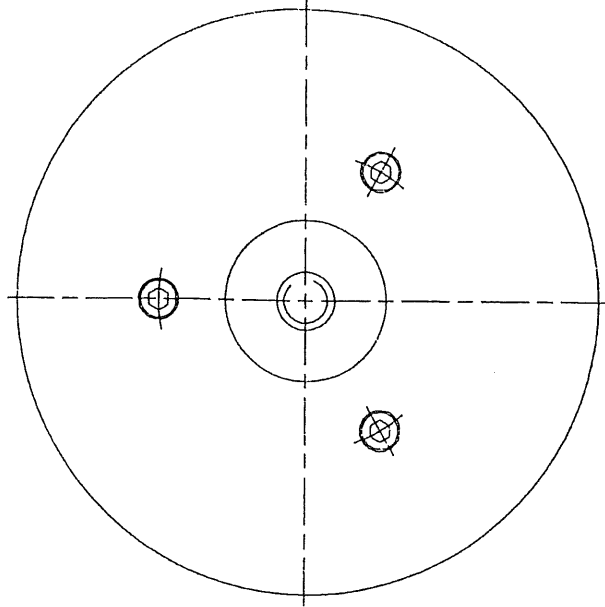
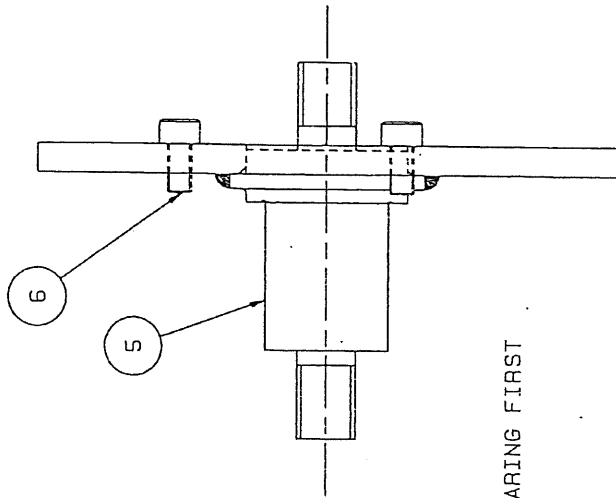
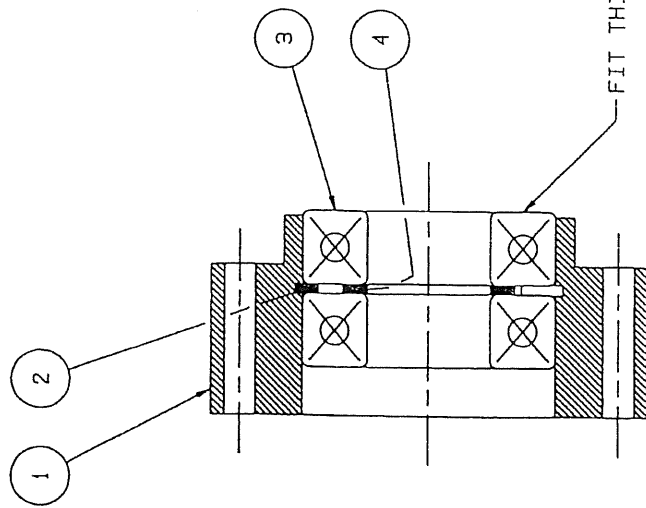
METERING UNIT LID

1	7403434	UNIT HOPPER SIDE-WA	1
2	2001002	OILITE BRG.	2
3	6903103	SING. SPINDLE SPACER	1
4	7703321	SINGULATOR-ASSY	1
5	2217012	EXT. CIRCLIP	1
6	7403480	SINGULATOR HANDLE-WA	1
7	2309032	SET SCREW	2
8	6409432	SPRING PLUNGER	1
9	2303006	HEX NUT	1
10	6903106	SINGULATOR SCALE	1
11	2303091	NYLOC NUT-FULL	3
12	7702274	COVER PLATE CLIP-ASY	1
13	2212562	POP RIVET	2
14	7703497	SEED ESCAPE FLAP-ASY	1
15	7403626	CHOKE-WA	1
16	6903104	CHAMBER SIDE BRUSH-L	1
17	6903105	CHAMBER BASE BRUSH	1
18	6903023	CHAMBER SIDE BRUSH-S	1
19	2212563	TUCKER POP RIVET	8
20	6403012	NUT RETAINER	3

NOTE ITEM 20 NOT ILLUSTRATED

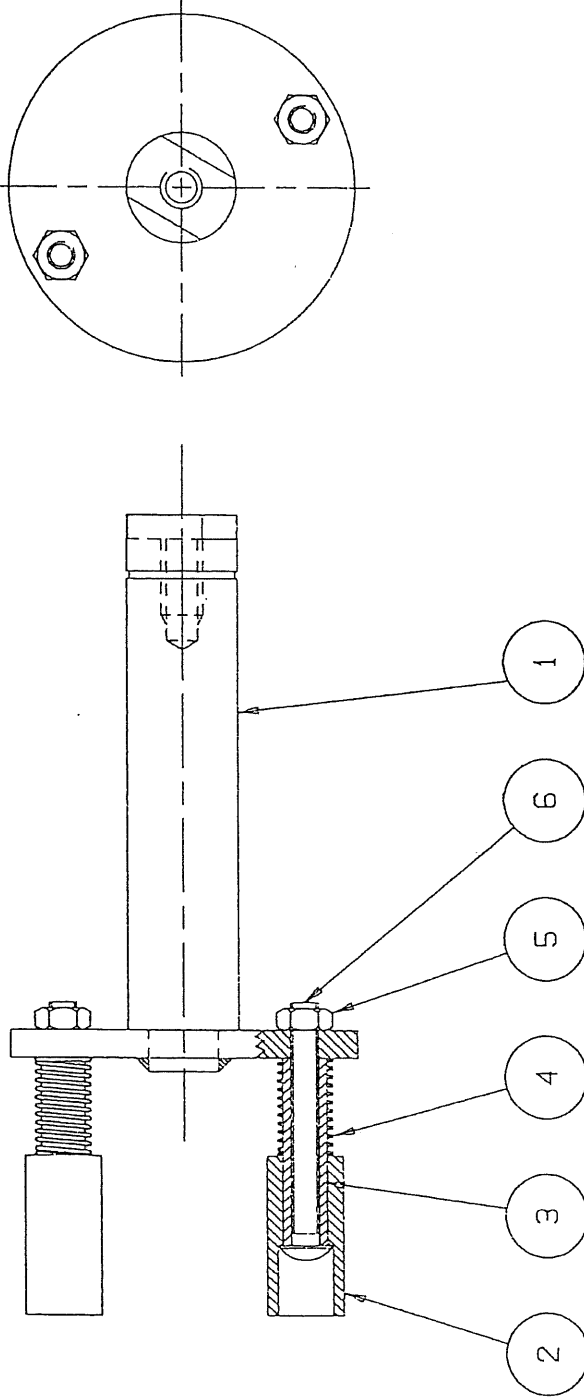


1	6903018	UNIT BRG. HOUSING	1
2	2217210	INT. CIRCLIP	1
3	1901105	BALL BEARING	2
4	6409423	SUPP. WASH.	1
5	7403431	UNIT DRIVE SPIND-WA	1
6	2375035	SKT CAP SCR.	3



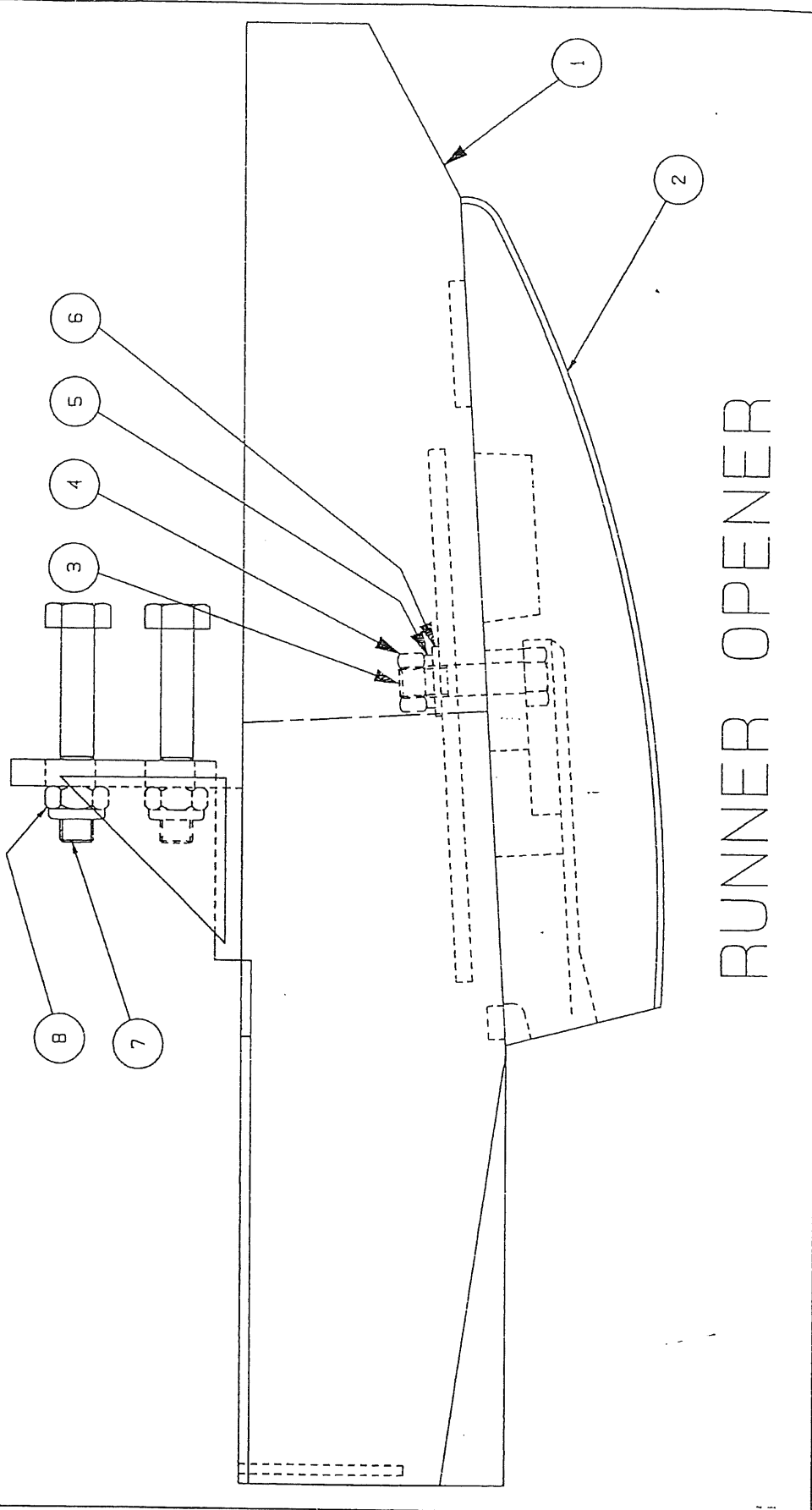
METERING UNIT DRIVE SPINDLE AND BEARING

1	7403435	SING. SPINDLE-WA	1
2	6903030	SINGULATOR PIN	2
3	6903251	SING. LOCATION PIN	2
4	2701067	SINGULATOR SPRING	2
5	2303004	HEX. NUT	2
6	2377025	SKT. BUT. SCR.	2



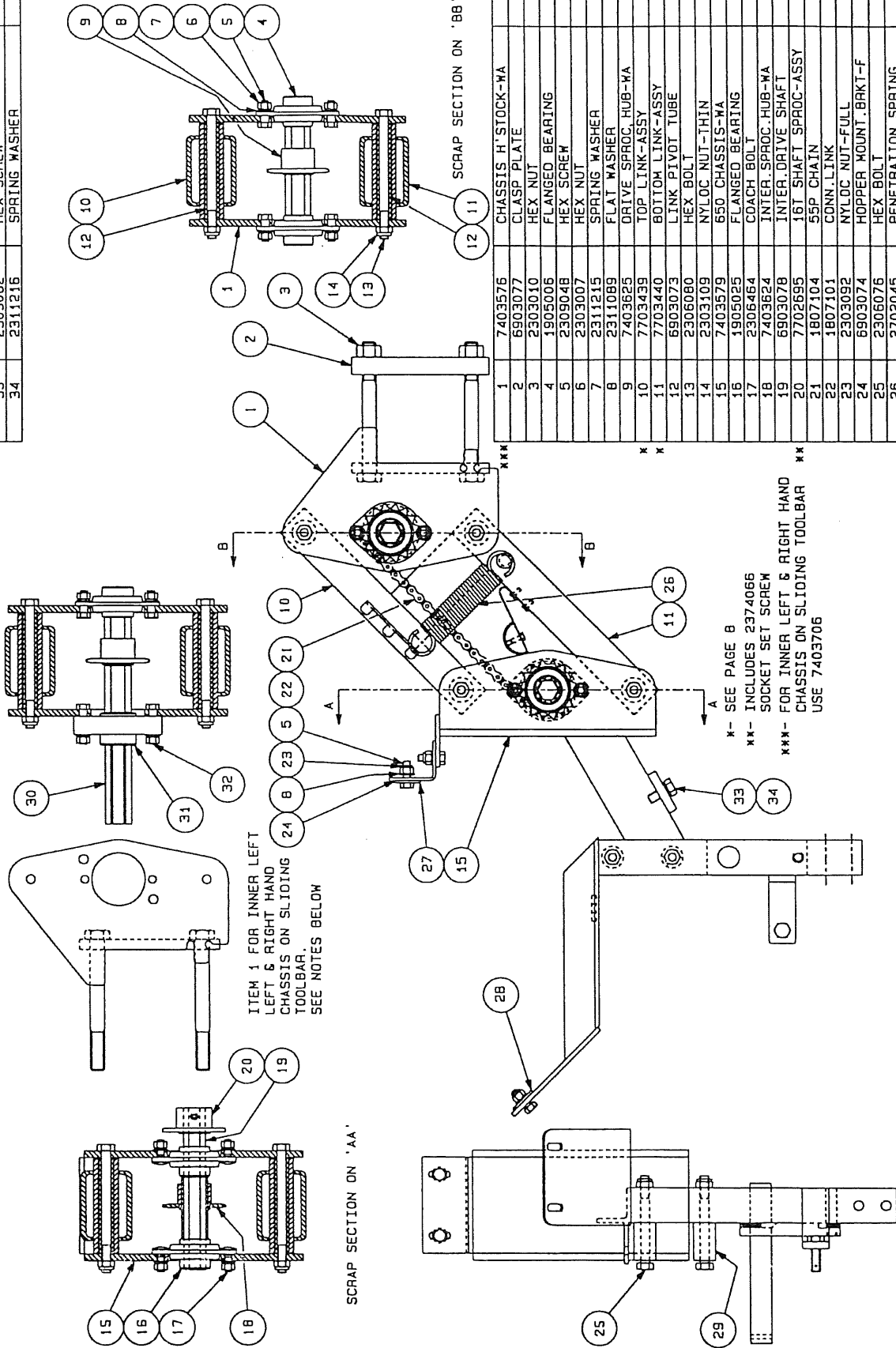
SINGULATOR

1	7403478	COULTER BODY-WA	1
2	3000055	OPENER SHOE	1
3	2304066	BOLT	1
4	2301018	HEX NUT	1
5	2311216	SPRING WASHER	2
6	2311090	FLAT WASHER	1
7	2306071	BOLT	2
8	2303109	NYLOC NUT-THIN	1



RUNNER OPENER

33	2309062	HEX SCREW	2
34	2311216	SPRING WASHER	2



ITEM 1 FOR INNER LEFT
LEFT & RIGHT HAND
CHASSIS ON SLIDING
TOOLBAR.
SEE NOTES BELOW

SCRAP SECTION ON 'AA'

SCRAP SECTION ON 'BB'

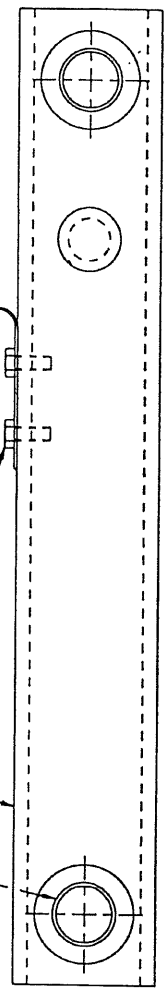
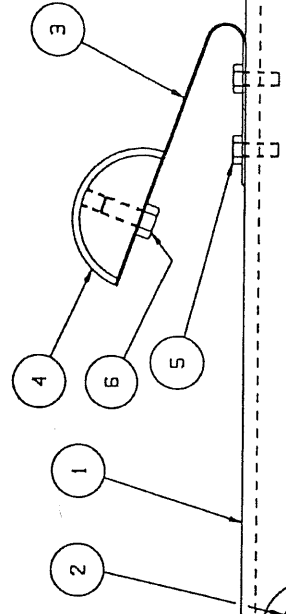
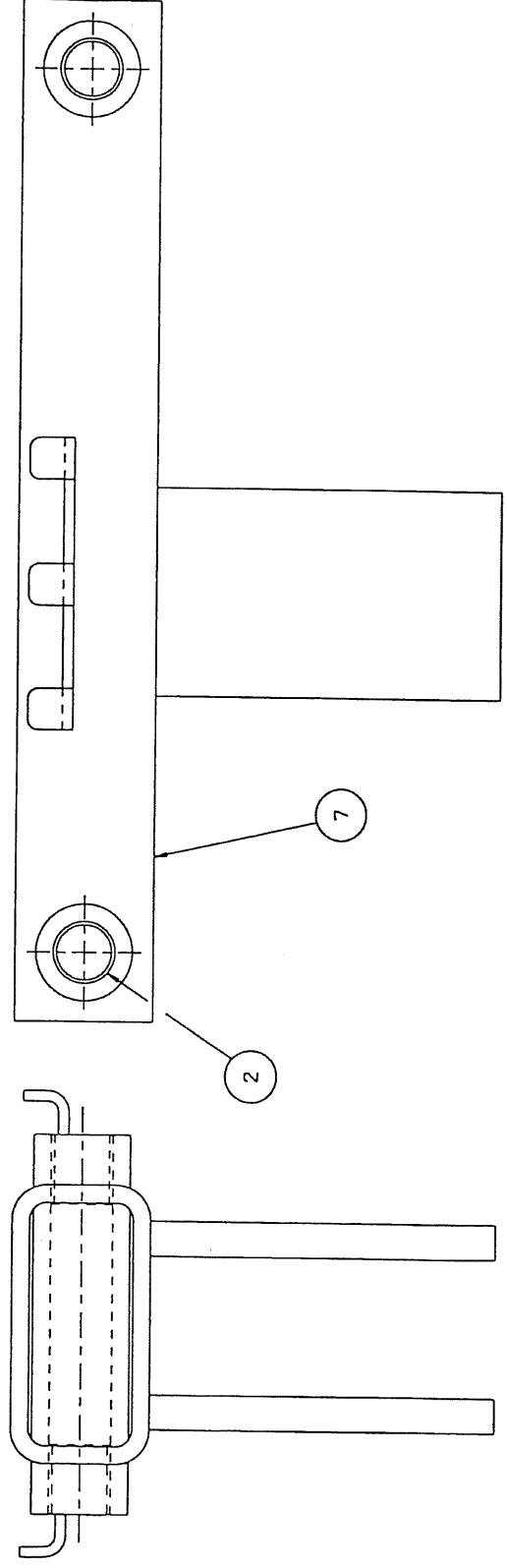
X- SEE PAGE 8
 **- INCLUDES 2374066
 SOCKET SET SCREW
 ***- FOR INNER LEFT & RIGHT HAND
 CHASSIS ON SLIDING TOOLBAR **
 USE 7403706

CHASSIS

ASSEMBLY: - 7703444 -CHASSIS (ITEMS 1-29)
 (7703555 -CHASSIS LEFT HAND (ITEMS 1-B, 9-32)
 (7703556 -CHASSIS RIGHT HAND (ITEMS 1-B, 9-32)

1	7403576	CHASSIS H' STOCK-WA	1
2	6903077	CLASP PLATE	1
3	2303010	HEX NUT	2
4	1905006	FLANGED BEARING	2
5	2309048	HEX SCREW	10
6	2303007	HEX NUT	8
7	2311215	SPRING WASHER	8
8	2311089	FLAT WASHER	14
9	7403625	DRIVE SPROC. HUB-WA	1
10	7703439	TOP LINK-ASSY	1
11	7703440	BOTTOM LINK-ASSY	1
12	6903073	LINK PIVOT TUBE	4
13	2306080	HEX BOLT	4
14	2303109	NYLOC NUT-THIN	6
15	7403579	650 CHASSIS-WA	1
16	1905025	FLANGED BEARING	2
17	2306464	COACH BOLT	4
18	7403624	INTER. SPROC. HUB-WA	1
19	6903078	INTER DRIVE SHAFT	1
20	7702695	1ST SHAFT SPROC-ASSY	1
21	1807104	55P CHAIN	1
22	1807101	CONN. LINK	1
23	2303092	NYLOC NUT-FULL	6
24	6903074	HOPPER MOUNT. BRKT-F	1
25	2306076	HEX BOLT	2
26	2702045	PENETRATION SPRING	2
27	6903291	HOP. CLAMP PLATE-FRONT	1
28	6903292	HOP. CLAMP PLATE-REAR	1
29	6903308	CHAIN CASE PILLAR	2
30	7403707	DRIVE SPROC. HUB-WA	1
31	1906230	FLANGED BEARING	1
32	2306066	HEX BOLT	2

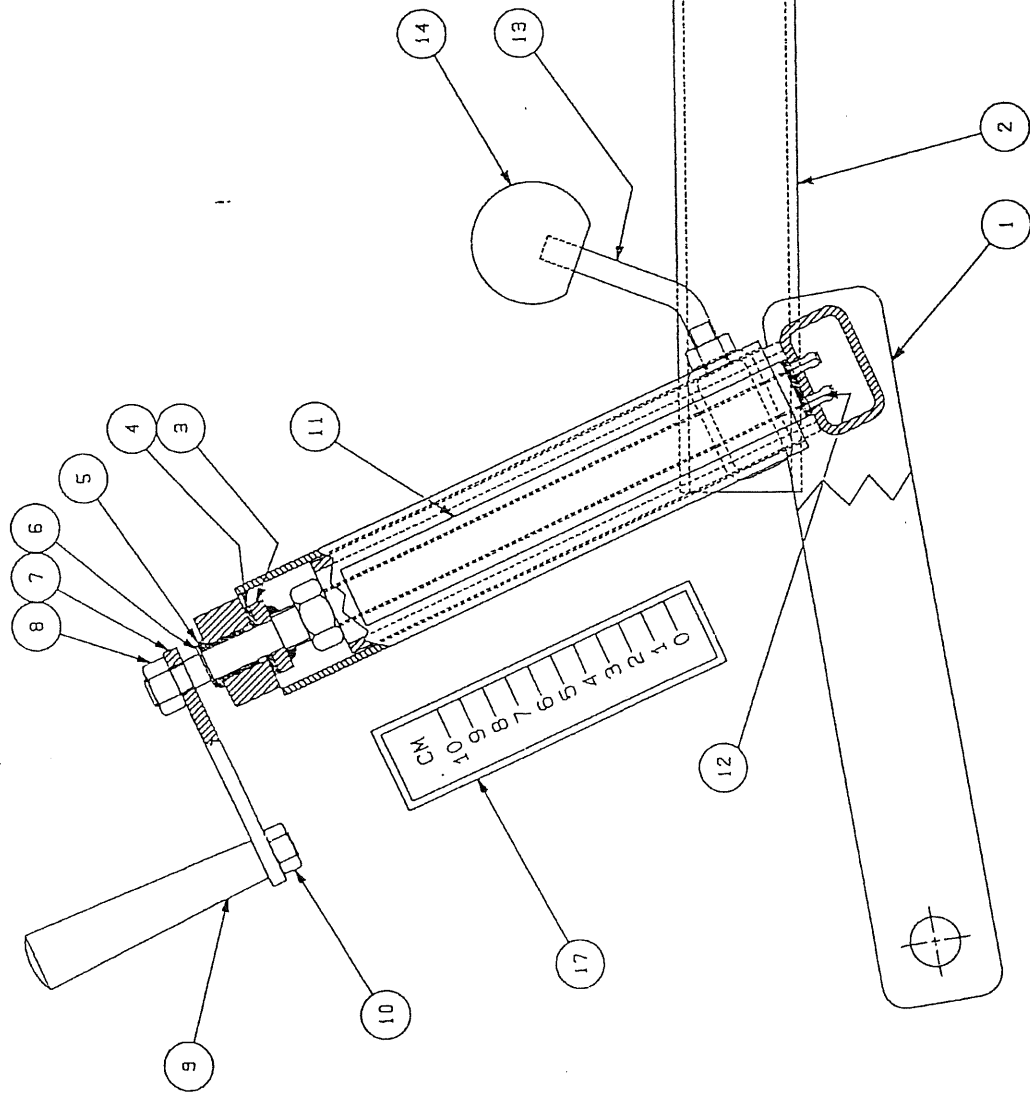
1	7403578	BOTTOM LINK-WA	1
2	2008014	GLACIER BEARING	4
3	2704007	CHAIN TENS. SPRING	1
4	6902369	RUBBING BLOCK	1
5	2309013	HEX SCREW	2
6	2309022	HEX SCREW	1
7	7403577	TOP LINK-WA	1



PARALLEL LINK ARMS

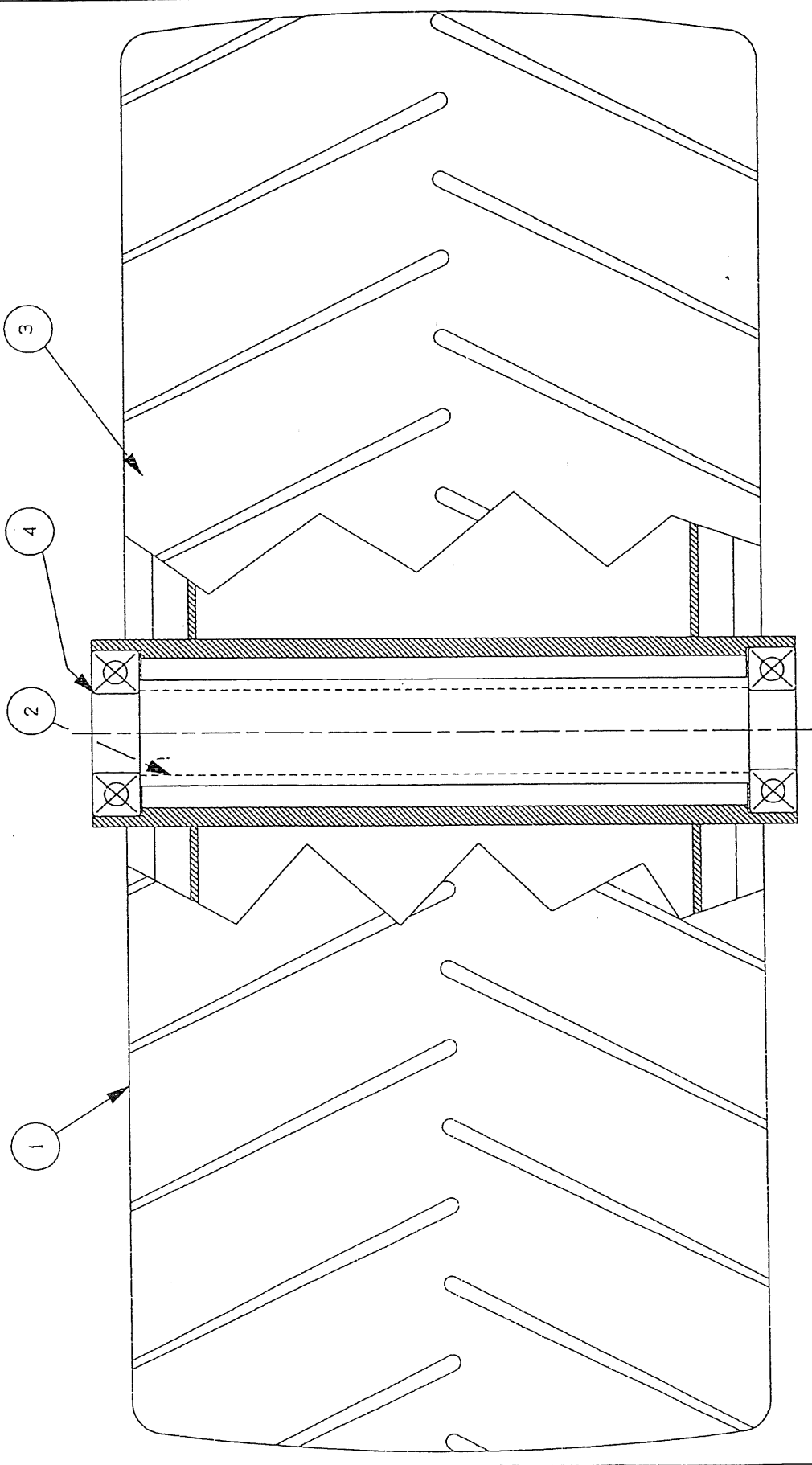
ASSEMBLY: - 7703439 -TOP LINK (ITEMS 2 & 7)
 7703440 -BOTTOM LINK (ITEMS 1-6)

1	7403580	REAR WHEEL FORK-WA	1
2	7403581	REAR WHEEL ARM-WA	1
3	7403582	DEPTH ADJ. SCREW-WA	1
4	6409431	THRUST WASHER	1
5	6409430	BUSH	1
6	2217035	E-CLIP	1
7	6903254	HANDLE ARM	1
8	2303009	NUT	1
9	6404029	TAPERED HANDLE	1
10	2303008	NUT	1
11	6903197	DEPTH POINTER	1
12	2212570	POP RIVET	2
13	6903282	LOCKING HANDLE	1
14	6404031	BALL KNOB	1
15	2309086	SET SCREW	1
16	2303110	NYLOC NUT-THIN	1
17	6406315	DEPTH SETTING LABEL	1



REAR WHEEL ARM

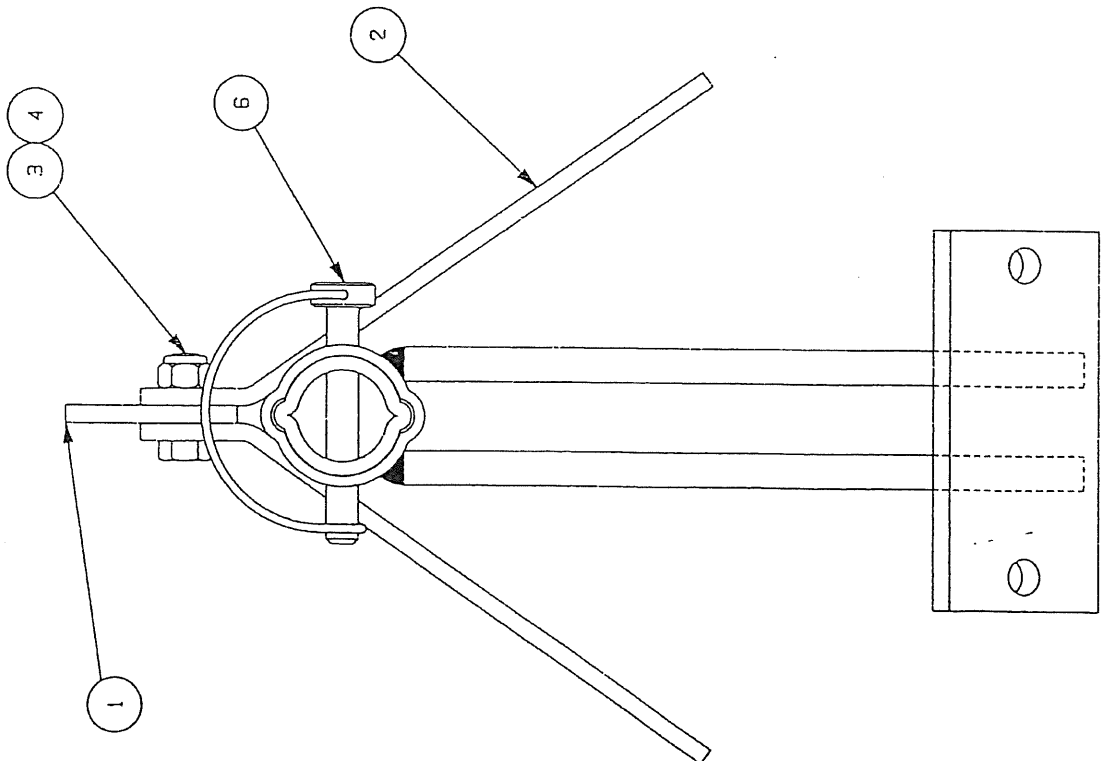
1	J0387	ZP WHEEL	1
2	6903102	BEARING SPACER	1
3	5700382	ZERO PRESSURE TYRE	
4	1901049	BEARING	



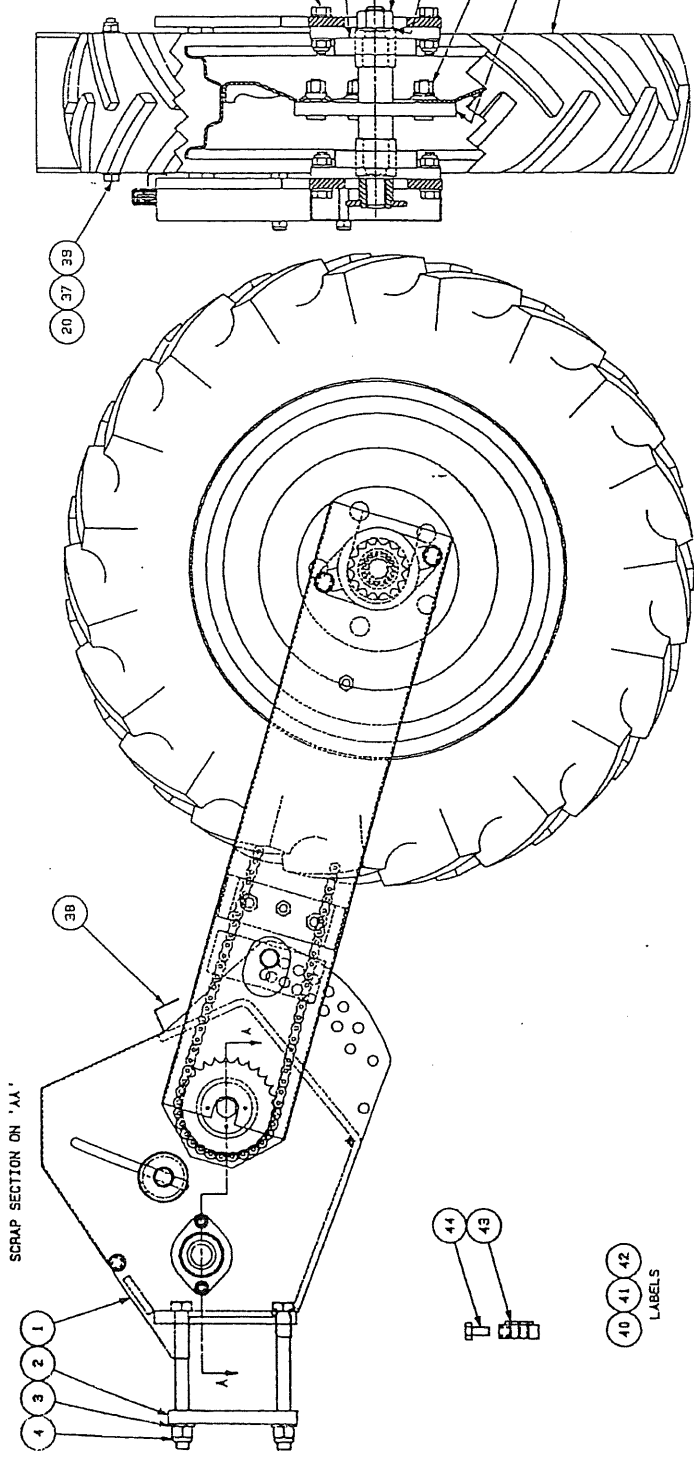
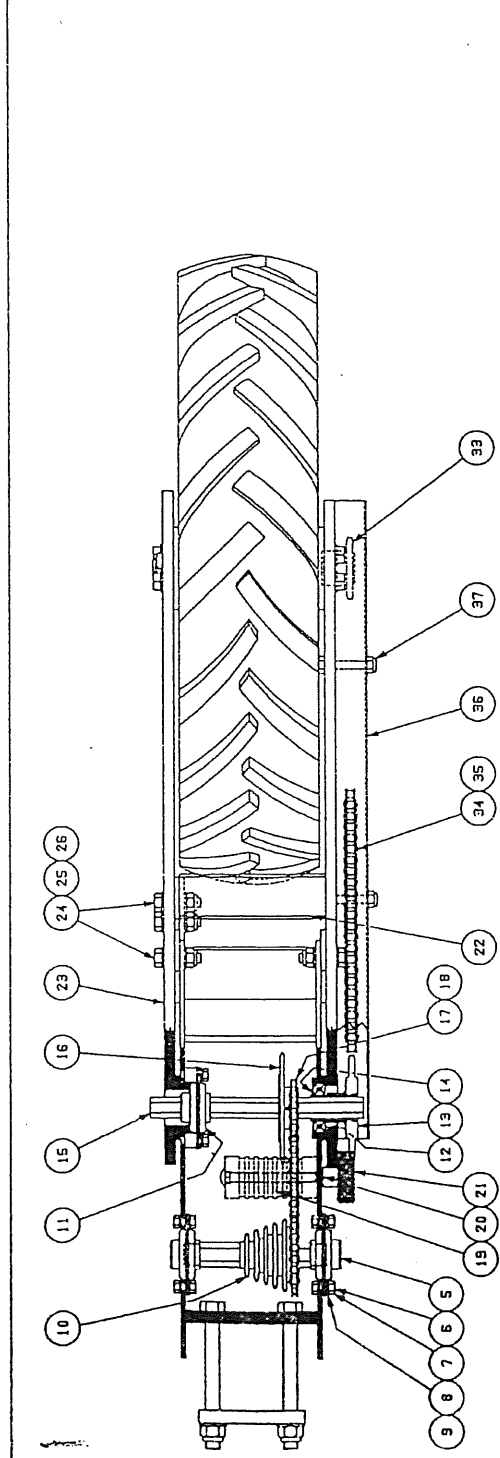
ZERO PRESSURE WHEEL

CLOD DEFLECTOR

1	690324B	DEFLECTOR TINE	1
2	7403594	CLOD DEFLECTOR-WA	1
3	2309048	SET SCREW	2
4	2303092	NYLOC NUT-FULL	2
5	7403593	CLOD DEF. MTG. BRKT-WA	1
6	2315722	LOCK PIN	1
7	2309062	SET SCREW	2
8	2311216	SPRING WASHER	2



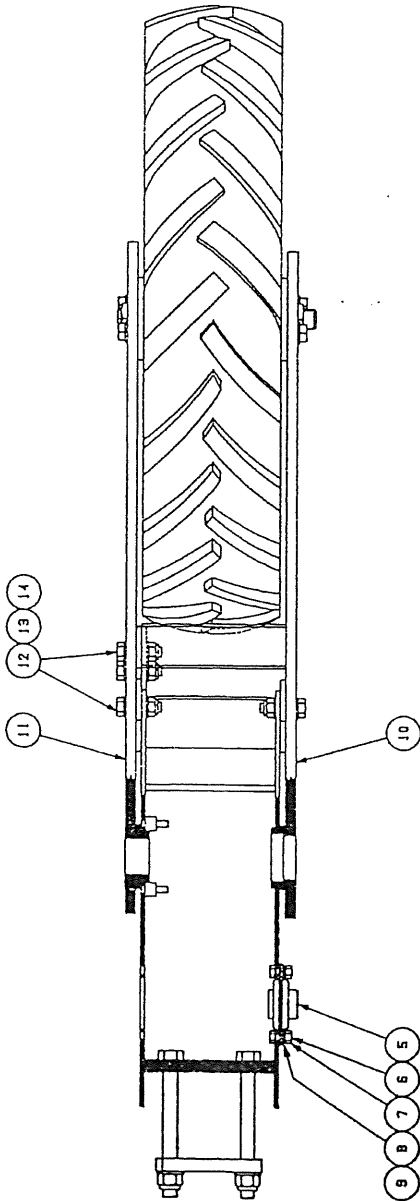
1	7403492	GEARBOX BODY-WA	1
2	6902664	GEARBOX ATTMT PLATE	1
3	2311092	FLAT WASHER	4
4	2303095	NYLOC NUT-FULL	4
5	1905006	BEARING	2
6	2309047	SET SCREW	4
7	2303007	NUT	6
8	2311215	SPRING WASHER	6
9	2311089	FLAT WASHER	6
10	7403635	SPROCKET CLUSTER-WA	1
11	1905025	BEARING	1
12	1901051	BEARING	1
13	1708048	2BT FREEWHEEL	1
14	2217009	EXT. CIRCLIP	1
15	6903119	6" BOX INPUT SHAFT	1
16	7703354	15/30T SLID. SPRKT-AS	1
17	1807110	5P CHAIN	1
18	1807101	CONN. LINK	1
19	7703349	CHAIN TENSIONER ASSY	1
20	2311090	FLAT WASHER	3
21	5404016	FLAT WASHER	1
22	7403493	WHEEL ARM-LH-WA	1
23	7403507	WHEEL ARM-RH-WA	1
24	2303007	BOLT	8
25	2311081	NYLOC NUT-THIN	8
26	1906080	FLAT WASHER	16
27	1906080	BEARING	2
28	5700306	WHEEL NUT	5
29	7700306	WHL CENTRE	1
30	5700309	XL WHEEL (55100) ASSY	1
31	2311115	FLAT WASHER-LIGHT	1
32	2303012	NUT	1
33	7403661	10T ORV. SPROCKET-WA	1
34	1808075	123P CHAIN	1
35	1808065	CONN. LINK	1
36	6903284	L' WHEEL CHAIN CASE	1
37	2303109	NYLOC NUT-THIN	3
38	7403495	GEARBOX LID-WA	1
39	2306084	BOLT	1
40	6406304	LABEL-CAUTION	1
41	6406314	LABEL-BEAR SET 'NG-XL	1
42	8406329	LABEL-FDRM SW102	1
43	6902662	LOCKING COLLAR	2
44	2309061	SET SCREW	2
45	2309063	SET SCREW	2



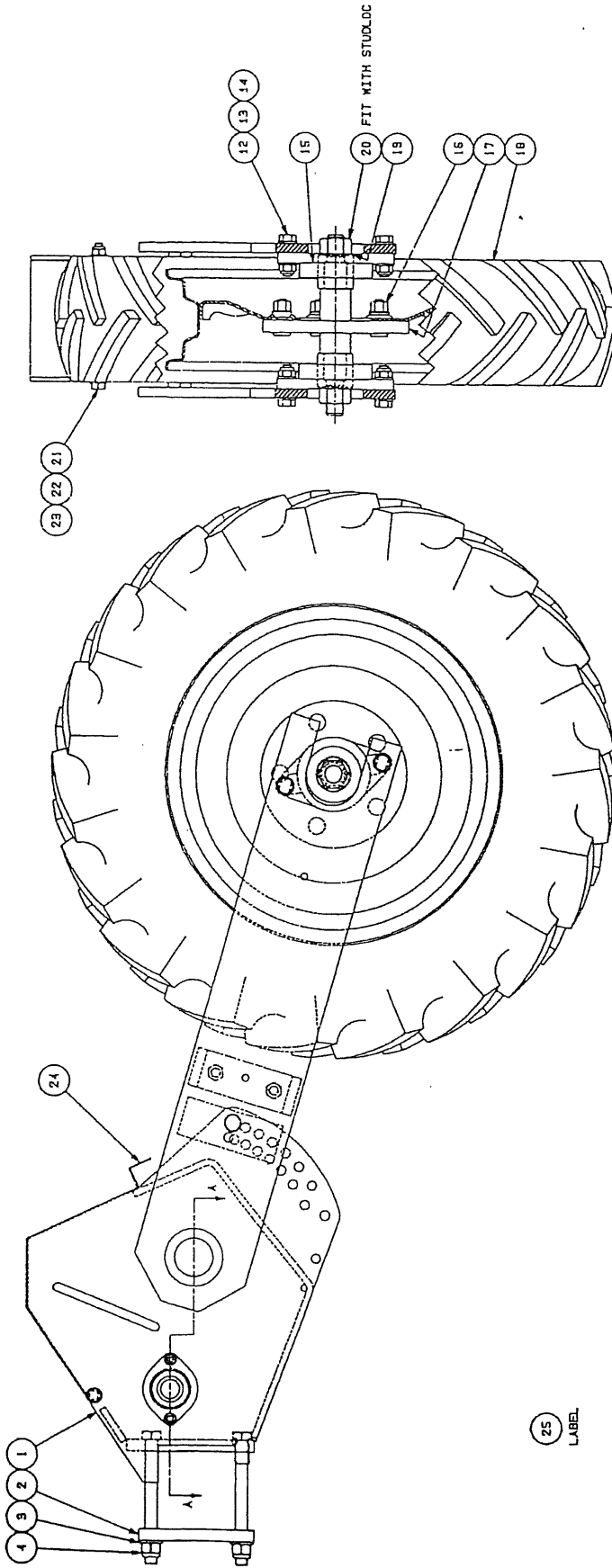
DRIVE LANDWHEEL

40 41 42
LABELS

1	7403492	GEARBOX BODY-WA	1
2	6902964	GEARBOX AT/MT PLATE	1
3	231092	FLAT WASHER	4
4	2303095	NYLOC NUT-FULL	4
5	1905025	BEARING	1
6	2309047	SET SCREW	2
7	2303007	NUT	2
8	2311216	SPRING WASHER	2
9	2311089	FLAT WASHER	2
10	7403493	WHEEL ARM-LH-WA	1
11	7403662	WHEEL ARM-RH-WA	1
12	2306097	BOLT	8
13	2303110	NYLOC NUT-THIN	8
14	2311091	FLAT WASHER	2
15	1906080	BEARING	2
16	5700396	WHEEL NUT	5
17	7700346	WHL. CENTRE	1
18	5700399	XL WHEEL (SSTUD) -ASSY	1
19	2311116	FLAT WASHER-LGHT	2
20	2303012	NUT	2
21	2306084	BOLT	1
22	2303109	NYLOC NUT-THIN	1
23	2311090	FLAT WASHER	2
24	7403495	GEARBOX LTD-WA	2
25	6404329	LABEL-FORM SK102	1



SCRAP SECTION ON 'AA'



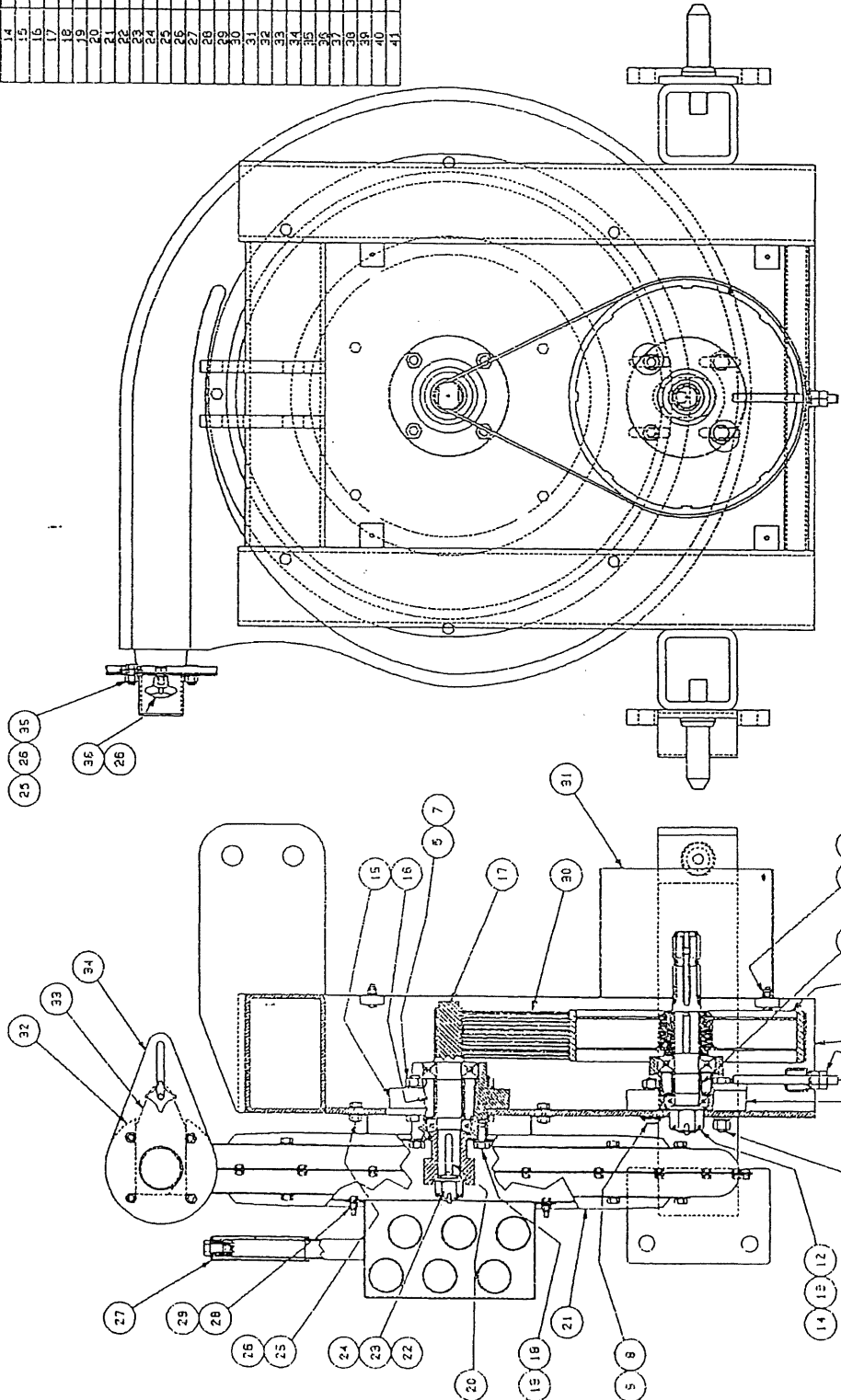
SUPPORT LANDWHEEL

25 LABEL

1	7403657	H. STOCK/FAN CASE-MA	1
2	7403441	BELT TENS BRKT -MA	1
3	7703600	BOTTOM BRG. HSR. -ASSY	1
4	2309084	SET SCREW	2
5	2303009	NUT	10
6	2311217	SPRING WASHER	4
7	2311091	FLAT WASHER	7
8	2311114	FLAT WASHER-LGT	2
9	2306515	COACH BOLT	2
10	5903049	PTO SHAFT BRG SPACER	1
11	7703286	PTO SHAFT/PULLEY-ASY	1
12	2311094	FLAT WASHER	1
13	2303679	SLOTTED NUT	1
14	2215613	SPLIT PIN	1
15	7703469	TOP BRG. HOUS'G-ASSY	1
16	5903048	IMP. SHAFT BRG SPACER	1
17	7703295	IMPELLER SHAFT-ASSY	1
18	2309061	SET SCREW	4
19	2311112	FLAT WASHER-LGT	4
20	6413057	IMP. /DRIVE SHAFT KEY	1
21	4801007	FAN	1
22	2311093	FLAT WASHER	1
23	2303078	SLOTTED NUT	1
24	2215587	SPLIT PIN	1
25	2309047	SET SCREW	9
26	5311089	FLAT WASHER	9
27	7033524	VAC. MAN./SENSOR-ASSY	3
28	2303091	NUT/LOC NUT-FULL	10
29	7411089	FLAT WASHER	10
30	7263008	DRIVE COVER PLATE-MA	1
31	6036258	VAC. BAFLE PLATE-MA	1
32	7037256	VAC. BAFLE PLATE-MA	1
33	7403029	PRESSURE OUTLET-MA	1
34	2303063	NUT/LOC NUT-FULL	4
35	5202026	PLASTIC PLUGS	12
36	6406307	LABEL-#40 RPM MAX	1
37	6406325	LABEL-ST LOGO 210X32	1
38	6406328	LABEL-FORM SH101	1
39	6406325	LABEL-FORM SH101	1
40	6406328	LABEL-FORM SH101	1
41	6406325	LABEL-YACQUAH CAL18R	1

BELT TENSIONING: -
 1. SLACKEN OFF THE BOTTOM BEARING HOUSING NUTS & BOLTS (4 & 9) UNTIL PTO PULLEY MOVES UNDER ITS OWN WEIGHT.
 2. TIGHTEN ADJUSTING SCREW NUT (5) WHILST ROTATING PTO PULLEY BY HAND, UNTIL THE SLACK IS TAKEN OUT OF THE BELT.
 3. TIGHTEN ADJUSTING SCREW NUT A FURTHER 1.5 TURNS (5 FLAYS ON NUT) WHILST TURNING THE PTO PULLEY. THE BELT WILL NOW BE UNDER THE CORRECT TENSION. LOCK THE ADJUSTER NUT & TIGHTER BOTTOM BEARING HOUSING MOUNTING NUTS & BOLTS.

ASSEMBLY NOTES: -
 1. TOP & BOTTOM HUBS ARE ASSEMBLED BY DRAWING THE SHAFTS THROUGH THE HOUSINGS WITH THE SLOTTED NUTS. THE SHAFTS MUST NOT BE HIT AS BEARING DAMAGE WILL OCCUR.
 2. ALL INSIDE EDGES OF THE AIR MANIFOLD MUST BE SEALED WITH LOCTITE SUPERFLEX 13734.

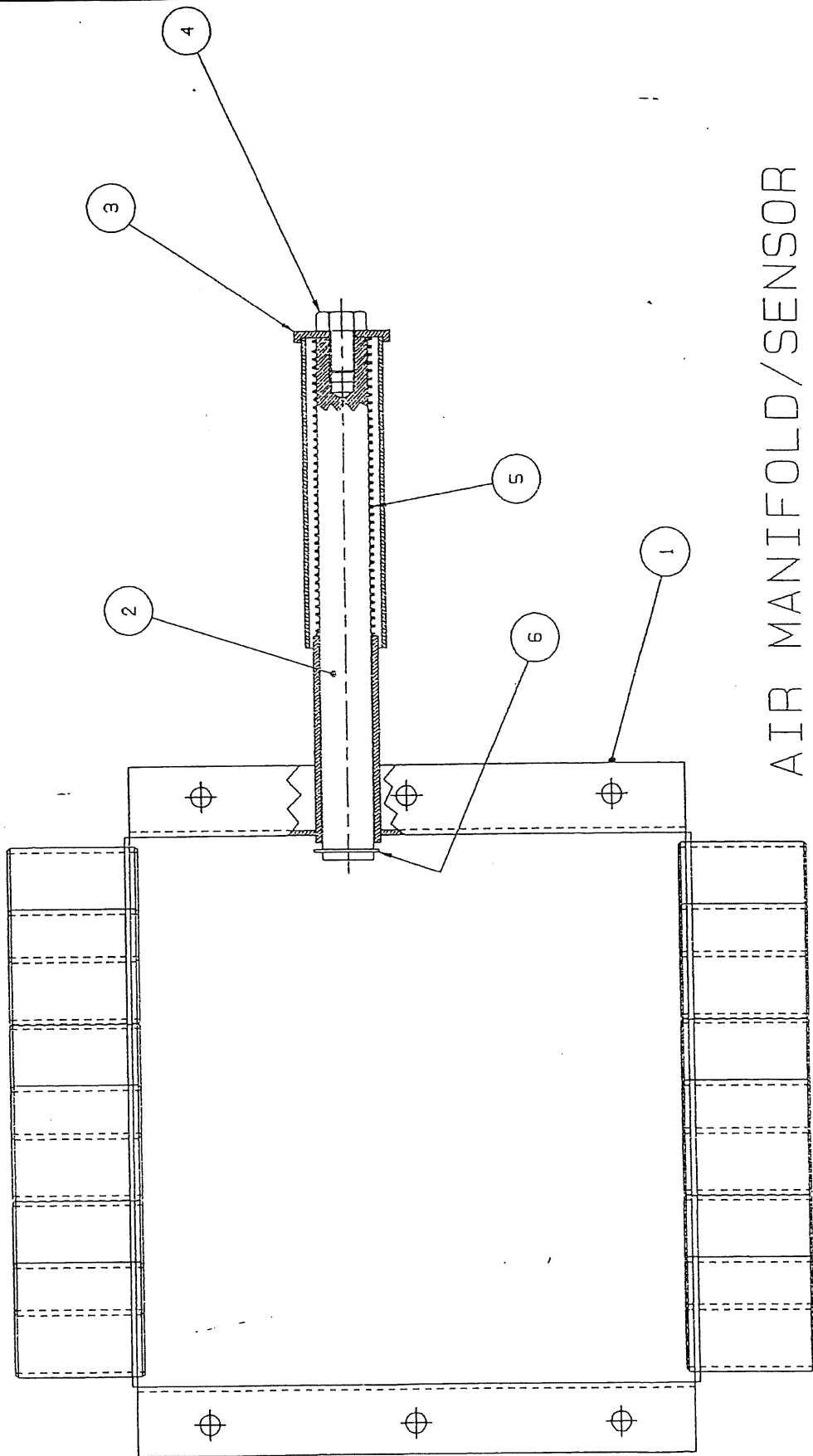


DRIVE COVER PLATE NOT SHOWN IN THIS VIEW

FAN/A-FRAME

37 38 39 40 41

1	7403509	VACUUM MANIFOLD-WA	1
2	6903287	VACUUM SENSOR PLUNGER	1
3	7403666	VACUUM SENSOR SHROUD	1
4	2309060	SET SCREW	1
5	2701068	VAC. SENSOR SPRING	1
6	2217003	EXT. CIRCLIP	1



AIR MANIFOLD/SENSOR

SALVO 650
LIST OF SEED PLATES

Part No:	Description	Agitator Pegs
7703538	Ø2.0 x 80	16
7703533	Ø2.5 x 16 groups of 3	16
7703536	Ø2.5 x 16	0
7703535	Ø2.5 x 24	0
7703537	Ø3.0 x 16	16
7703532	Ø4.0 x 16	16
7703292	Ø4.0 x 24	16
7703534	Ø4.0 x 64	16
7703539	Ø5.0 x 24	8