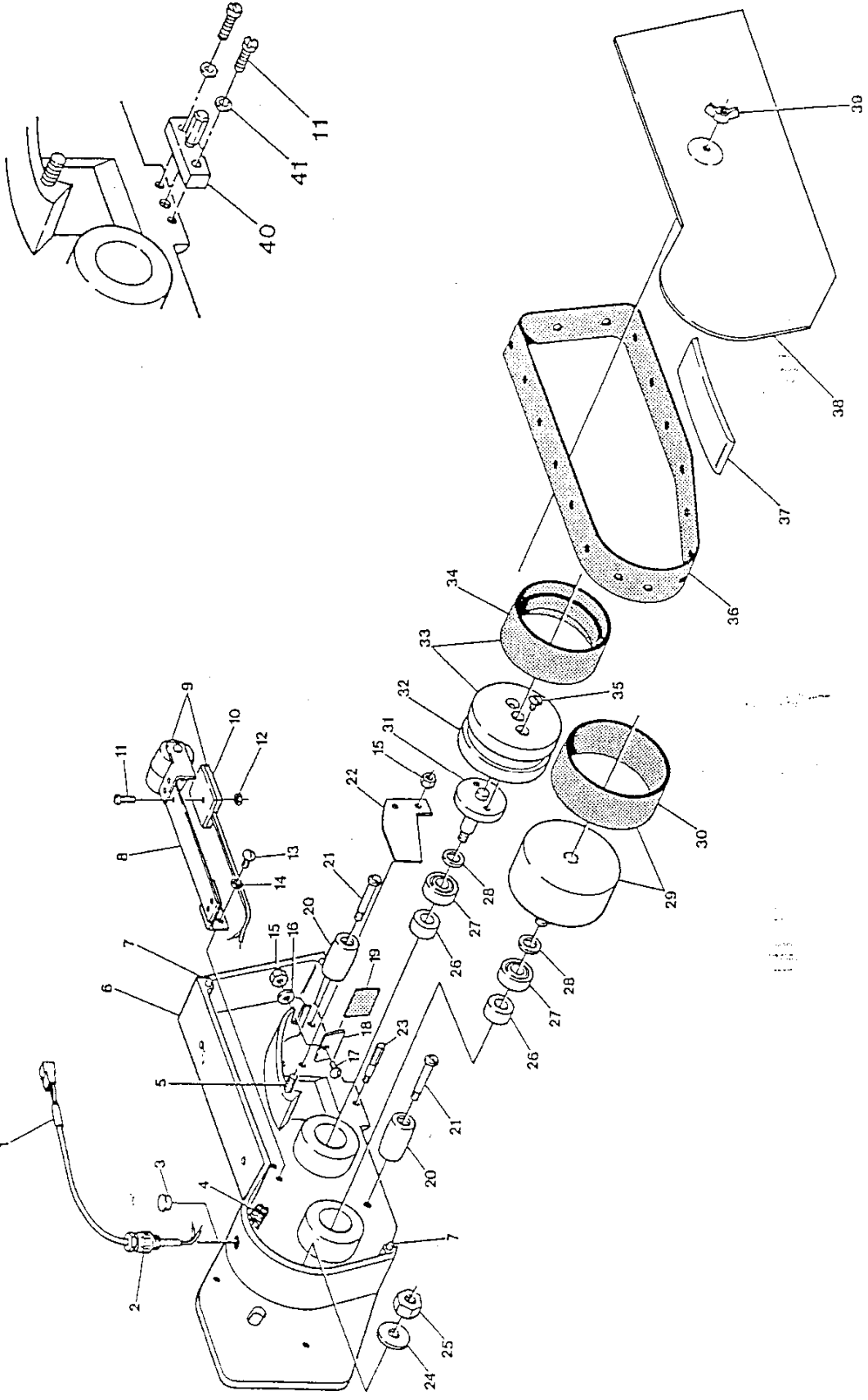


STANHAY ROBIN 870

PARTS MANUAL

Contents

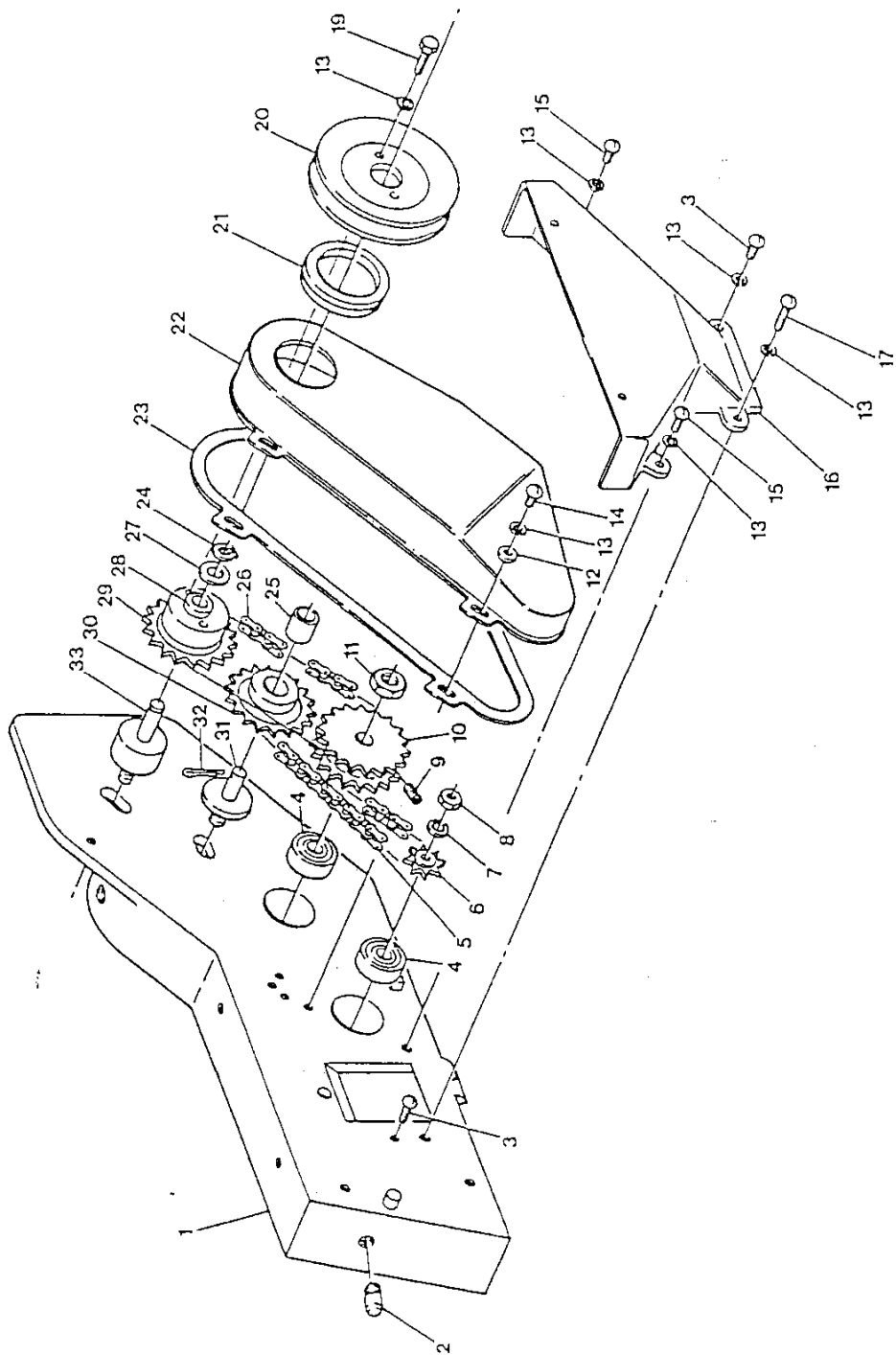
	<u>Page</u>
Metering Unit - Belt Side	3
- Drive Side	5
- Knee Joint	7
Seed Hopper	9
Agitator	11
Coulters	13
Steel Wheels	15-17
Cage Wheel	19
Chassis	21
Clod Deflector	23
Tractor Hitch, Toolbars, Shafts etc.	25
Parking Stand	27
Master Landwheel	29
Adjustable Master Landwheel	31
Support Wheel	33
Adjustable Support Wheel	35
Manual Markers	37
Manual Marker Change Over Kit	39
Electrical Monitoring System	41
Warranty	Inside Back Cover



STANHAY ROBIN 870
METERING UNIT - SEED BELT SIDE

Item No:	Part No:	Description:
1	5201040	Indicator Lead
2	5205004	Indicator Lead Gland
3	6402001	Protection Plug - above seed chamber flange
	6402031	Protection Plug - rear body flange - non electric drills only
4	5209051	Two way Connector
5	7000002	Seeder Body Stud
6	7702404	Seeder Body
7	7000003	Seeder Body Dowel
8	7702475	Belt Tensioner
9	7702476	Belt Tensioner & Reed Switch Assembly
10	5208050	Reed Switch c/w items 11 & 12
11	2335046	M3 x 12 Slotted Pan Head Screw
12	2303003	M3 Hexagon Nut
13	2318329	3/16 BSW x 3/8 Slotted Round Head Screw
14	2311213	M6 Spring Washer
15	2301015	3/16 BSW Hexagon Nut
16	2311132	M5 Flat Washer - large diameter
17	2318331	3/16 BSW x 1/2 Slotted Round Head Screw
18	6902110	Rubber Flap Clamp
19	6900011	Rubber Flap
20	*2810180	Fixed Roller - 8 Bore
21	*6902222	Fixed Roller Pin - 8 diameter
22	6900040	A-Choke
	6900041	B-Choke
	6900042	C-Choke
	6900043	P-Choke
	6900044	T-Choke
	6900045	X-Choke
23	6902238	Spring Base Pin (Hexagon)
24	2311090	M10 Flat Washer
25	2301018	3/8 BSW Hexagon Nut
26	6900016	Bearing Spacer
27	1901045	Ball Bearing
28	3220002	Spacing Shim - 0.13mm
	3220003	Spacing Shim - 0.25mm
29	7700006	Belt Wheel and Tyre - item 30
30	2820001	Belt Wheel Tyre
31	6902067	Repeller Spindle
32	2810174	Plastic Repeller Wheel
33	7702102	Standard (Black) Repeller Assembly
	7702453	Polymer (Brown) Repeller Assembly
	7703139	Black (Solid Centre) Repeller Assembly
34	2820002	Standard (Black) Tyre
	2830033	Polymer (Brown) Tyre
	2820042	Black Solid Centre Tyre
35	2333102	M5 x 8 Countersunk Head Screw
36		Seed Belt - state type required
37		Spring Base - state type required
38	7400002	Body Cover Plate
39	2301437	1/4 BSW Wing Nut
40	7703070	Spring Base Pin & Block Assembly
41	2311085	M3 Flat Washer

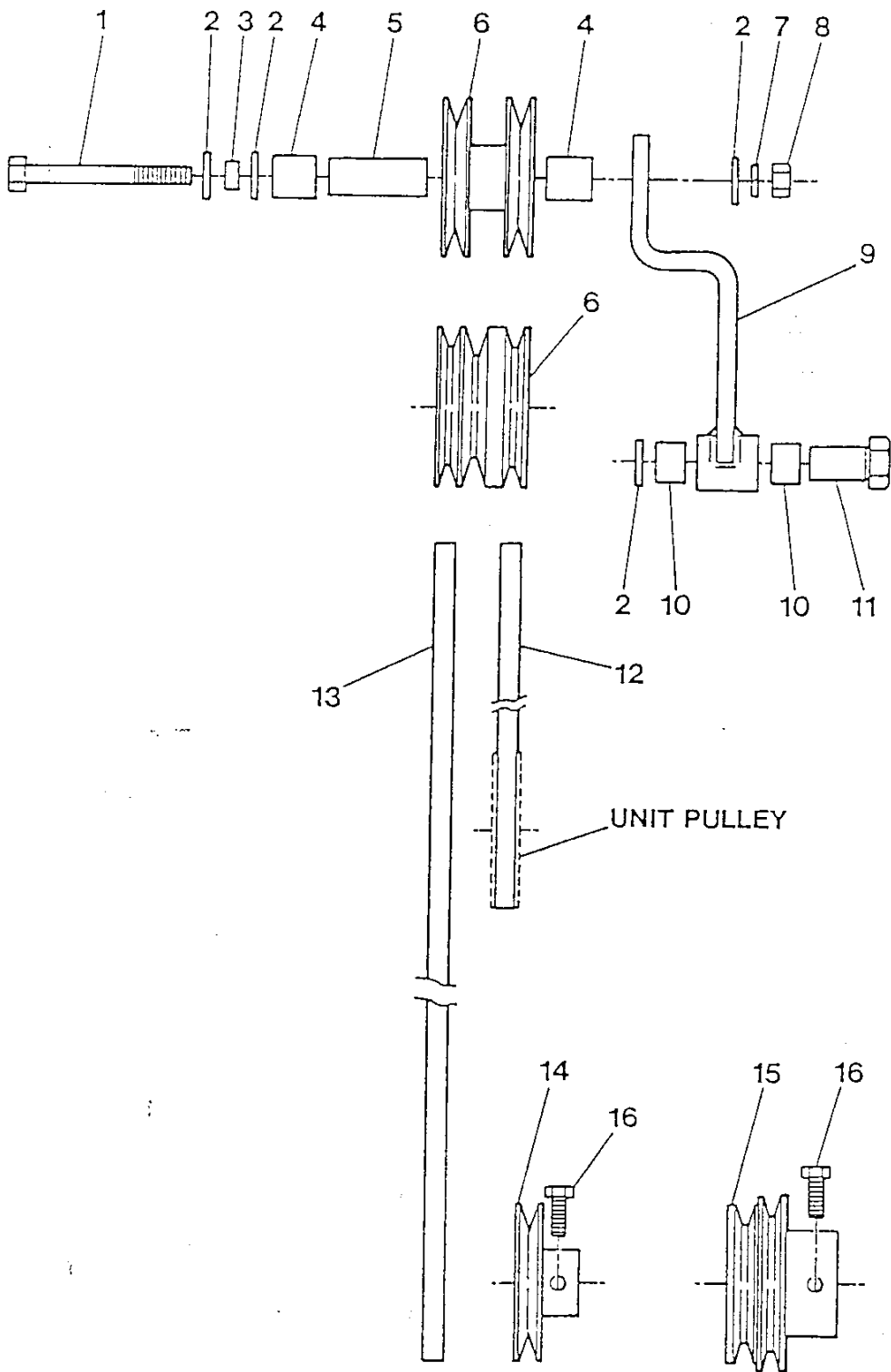
* We recommend that items 20 and 21 are purchased as sets.



STANHAY ROBIN 870

METERING UNIT - DRIVE SIDE

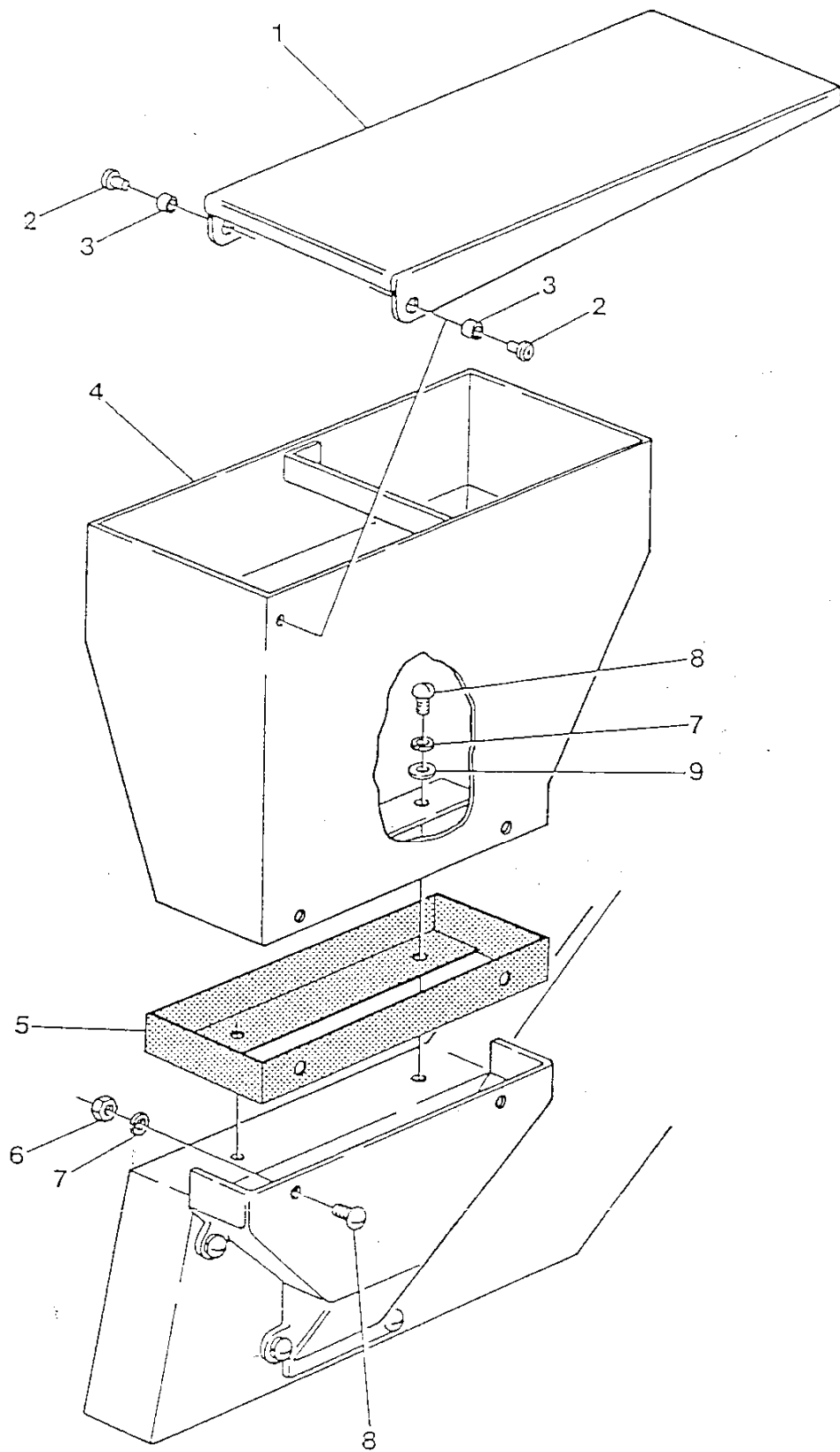
Item No:	Part No:	Description:
1	7702404	Seeder Body
2	7000004	Coulter Peg
3	2318331	3/16 BSW x 1/2 Slotted Round Head Screw
4	1901023	Ball Bearing
5	1801002	Chain - 48 pitches conn. link 1801007
6	1701014	Repeller Sprocket
7	2310506	1/4 Shakeproof Washer
8	2301161	1/4 BSF Hexagon Locknut
9	2260135	3/16 BSW x 5/16 in. Socket Set Screw
10	7700004	Belt Wheel Sprocket c/w item 9
11	2301163	3/8 BSF Hexagon Locknut
12	2310111	2BA Flat Washer
13	2311213	M5 Spring Washer
14	2318329	3/16 BSW x 3/8 Slotted Round Head Screw
15	2318330	3/16 BSW x 7/16 Slotted Round Head Screw
16	3000027	Seeder Chute
17	2318334	3/16 BSW x 3/4 Slotted Round Head Screw
18	2317003	V-belt
19	6902366	3/16 BSW x 3/4 Hexagon Head Screw
20	7400001	Driving Sprocket Pulley
21	4001001	V-ring Seal
22	3210008	Chaincase
23	3900001	Chaincase Gasket
24	2216046	Circlip
25	2001005	Oilite Bearing
26	1801001	Chain - 46 pitches conn. link 1801007
27	3220001	Spindle Shim
28	2001009	Oilite Bearing
29	7702101	Driving Sprocket c/w item 28
30	7702100	Idler Sprocket c/w item 25
31	6900006	Idler Sprocket Spindle
32	2214057	3/32 x 3/4 Split Pin
33	6900013	Driving Sprocket Spindle



STANHAY ROBIN 870

METERING UNIT - KNEE JOINT & DRIVE

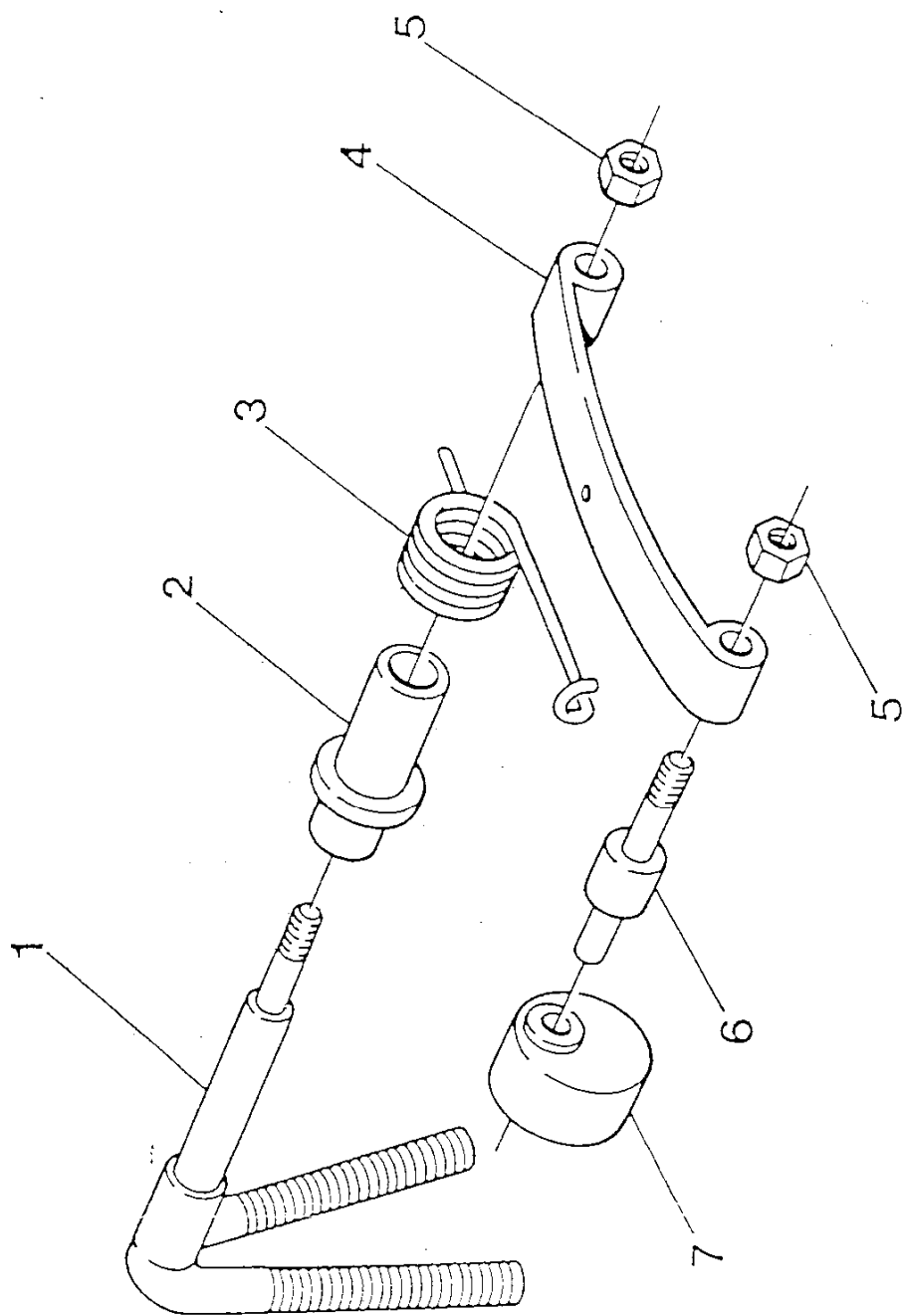
Item No:	Part No:	Description:
1	2306074	M10 x 80 Hexagon Head Bolt
2	2310090	M10 Flat Washer
3	7000022	Seeder Clamp Spacer
4	2001002	Oilite Bearing
5	6900021	Pulley Hub Spacer
6	7700010	Twin Pulley c/w item 4
	7700584	Triple Pulley c/w item 4
7	2311216	M10 Spring Washer
8	2303008	M10 Hexagon Nut
9	7000009	Knee Joint Arm c/w item 10
10	2001011	Oilite Bearing
11	6900020	Knee Joint Spindle
12	1308010	V-belt
13	1308055	V-belt
14	7700011	Single Shaft Pulley c/w item 16
15	7700845	Double Shaft Pulley c/w item 16
16	2308341	1/4 UNC x 3/4 Hexagon Head Screw



STANHAY ROBIN 870

SEED HOPPER

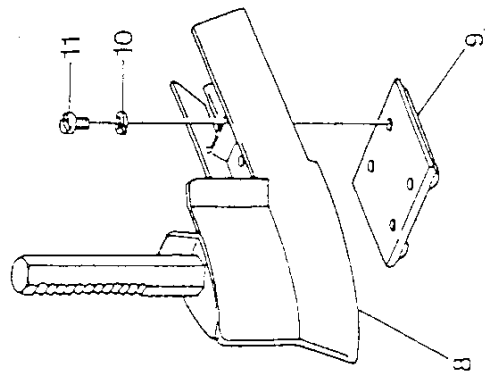
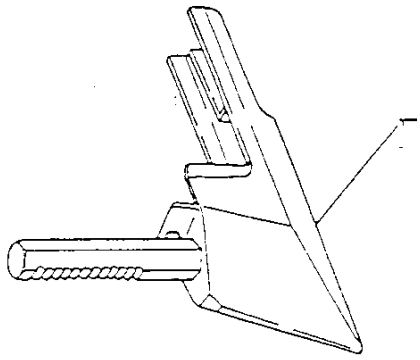
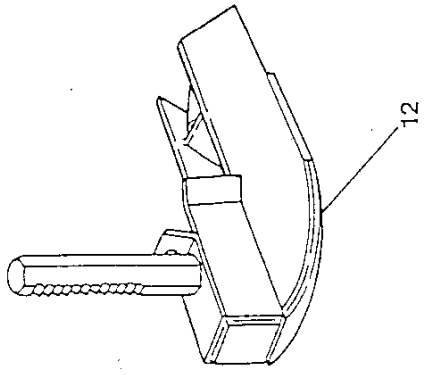
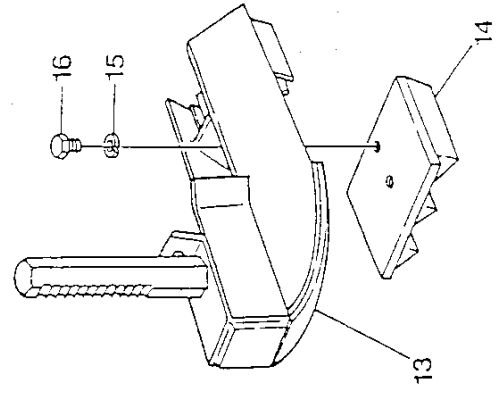
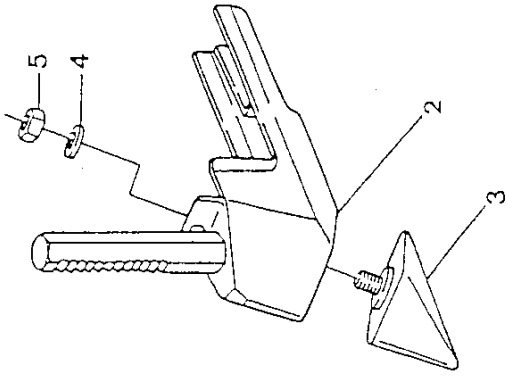
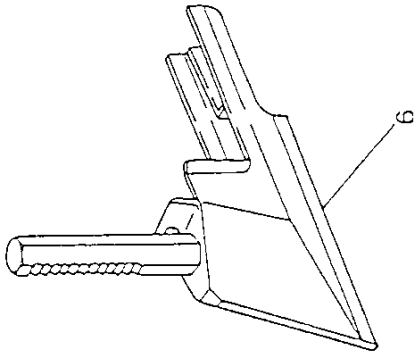
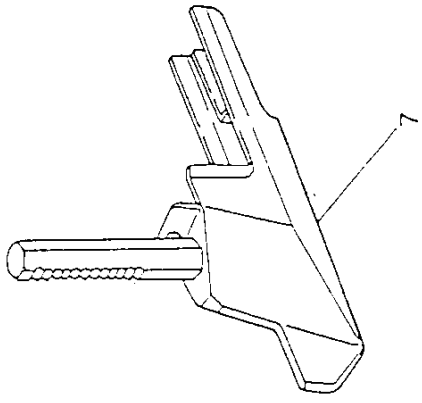
Item No:	Part No:	Description:
1	8002544	Hopper Lid Kit c/w items 2,3
2	2212563	POP Rivet
3	6900018	Hinge Spacer
4	7400003	Hopper - without monitor fixing
	7400015	Hopper - with monitor fixing
5	2820003	Chute Seal
6	2301015	3/16 BSW Hexagon Nut
7	2311213	M5 Spring Washer
8	2318331	3/16 BSW x 1/2 Slotted Round Head Screw
9	2311132	M5 Flat Washer - large diameter



STANHAY ROBIN 870

AGITATOR

Item No:	Part No:	Description
1	7701097	Agitator
2	6900023	Agitator Bush
3	2703001	Agitator Torsion Spring
4	6900025	Agitator Arm
5	2301014	1/8 BSW Hexagon Nut
6	6900024	Agitator Eccentric Spindle
7	2810010	Agitator Eccentric
	KIT	
	8000007	Agitator Kit



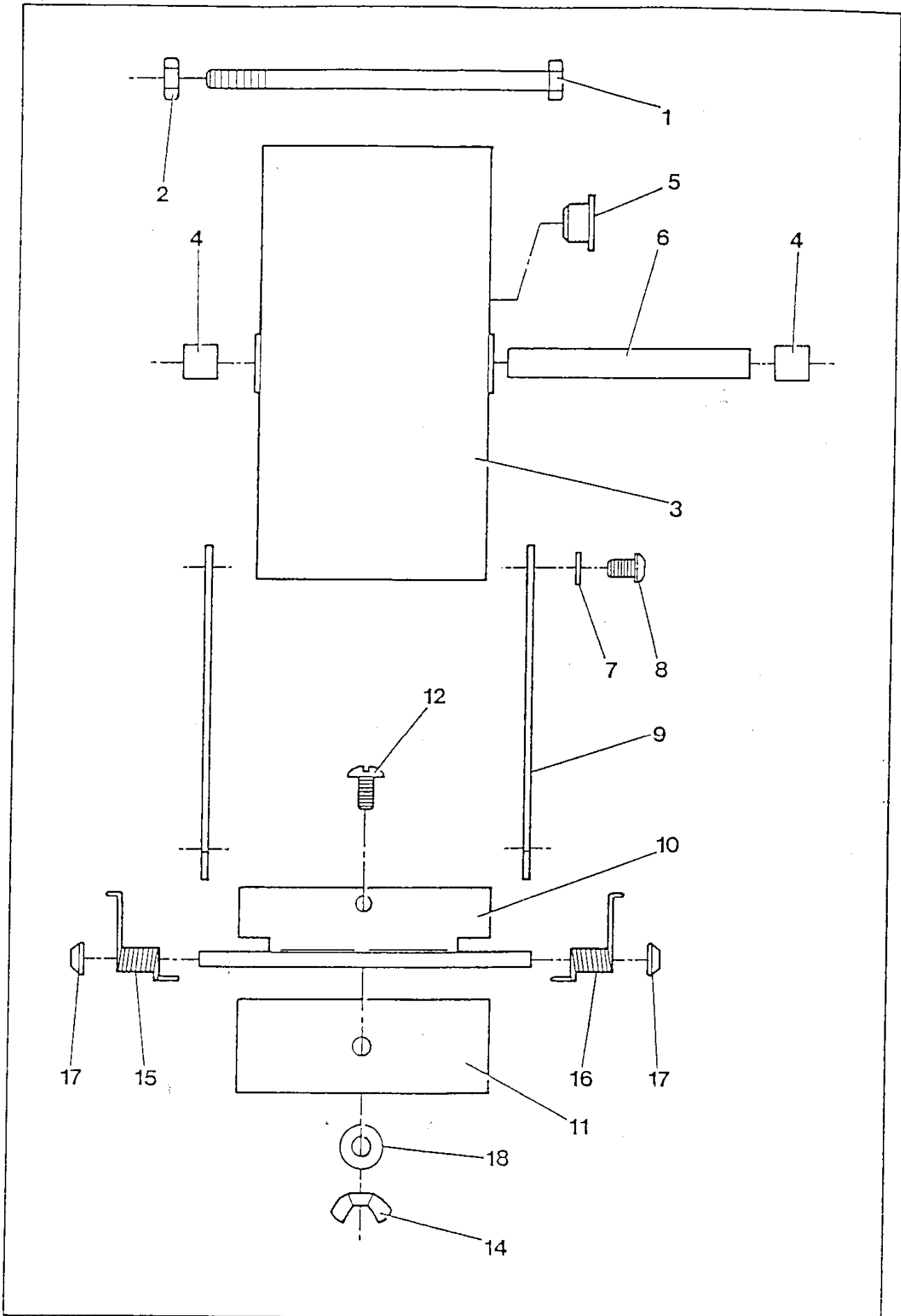
STANHAY ROBIN 870

COULTERS

Item No:	Part No:	Description:
1	7400034	General Purpose Coultter - Steel
2	7702270	General Purpose Coultter - Ceramic
	7402318	Coultter - Ceramic - Body Only
3	8002157	Ceramic Tip c/w items 4, 5
4	2311090	M10 Flat Washer
5	2303008	M10 Hexagon Nut
6	7401059	Keeled Coultter - EXPORT
7	7402628	Curved Nose Coultter (no rear fin)
8	7700042	25mm x 3 rib Coultter Assembly
	7700044	50mm x 2 rib Coultter Assembly
	7700046	38mm x 3 rib Coultter Assembly
	7700048	76mm x 2 rib Coultter Assembly
9	8010040	25mm x 3 rib Coultter Base c/w items 10,11
	8010038	50mm x 2 rib Coultter Base c/w items 10,11
	8010041	38mm x 3 rib Coultter Base c/w items 10,11
	8010039	76mm x 2 rib Coultter Base c/w items 10,11
10	2310401	1/4 Spring Washer
11	2319360	1/4 BSW x 1/2 Slotted Cheese Head Screw
12	7402878	100mm Band Coultter
13	7702787	100mm x 3 rib Coultter Assembly
14	8010037	100mm x 3 rib Coultter Base c/w items 15,16
15	2311215	M8 Spring Washer
16	2309045	M8 x 12 Hexagon Head Screw

KITS.

8002159	Ceramic Coultter (Box of 2)
8002158	Ceramic Coultter Tips (Box of 4)



STANHAY ROBIN 870

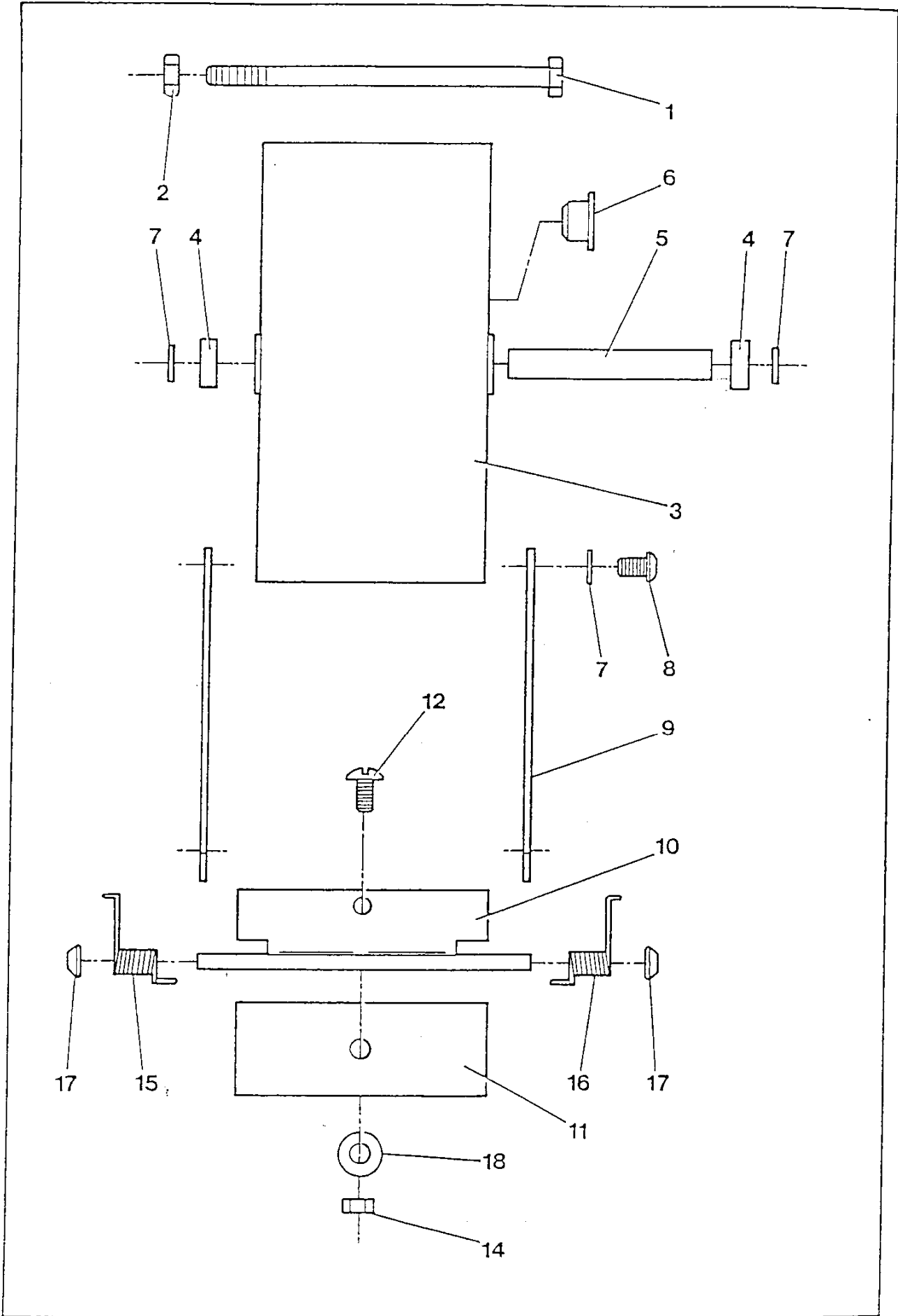
120mm WIDE MILD STEEL WHEEL

(Will fit front or rear)

Item No:	Part No:	Description:
1	2306082	M10 x 160 Hexagon Head Bolt
2	2303008	M10 Hexagon Nut
3	7700027	120 M/S Wheel c/w items 4,5
4	2001002	Oilite Bearing
5	2830001	Rubber Bung
6	6902016	Landwheel Spacer
7	2311090	M10 Flat Washer
8	2377104	M10 x 16 Socket Button Head Screw
9	6902741	Scraper Frame Side
10	7403011	120 Scraper Plate
11	6902659	120 Scraper Blade
12	2390052	M8 x 16 Roofing Bolt
14	2303007	M8 Hexagon Nut
15	2703012	Scraper Spring L/H
16	2703013	Scraper Spring R/H
17	2311365	M8 Starlock Washer - Capped
18	2311089	M8 Flat Washer

KITS

8002229	120 M/S Wheel Kit (items 1,2,3,6)
8002778	120 Wheel Scraper Kit (items 7-18)
8002779	120 M/S Wheel & Scraper Kit (items 1,2,3,6-18)



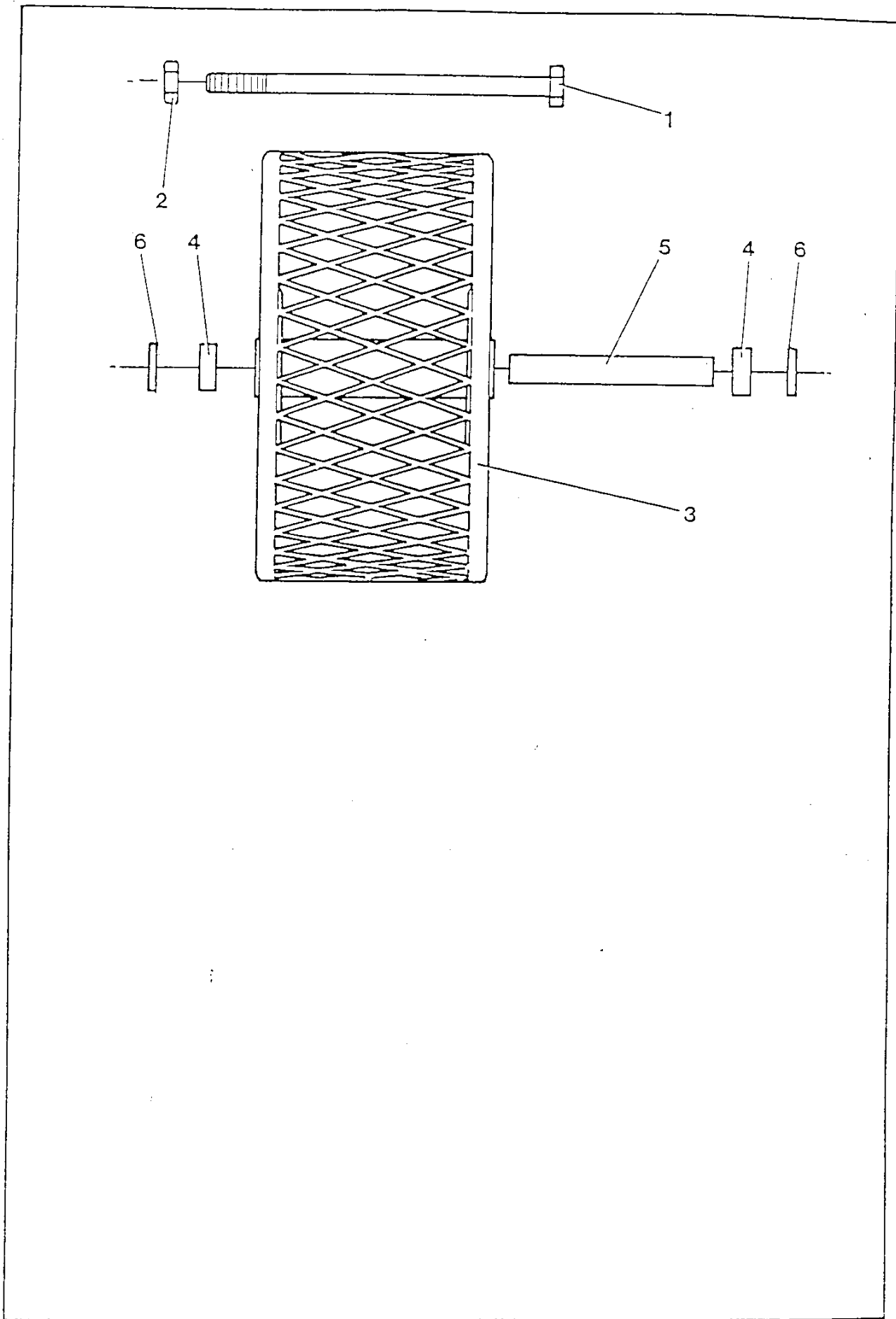
STANHAY ROBIN 870
120mm WIDE STAINLESS STEEL WHEEL

(Will fit front or rear)

Item No:	Part No:	Description:
1	2306082	M10 x 160 Hexagon Head Bolt
2	2303008	M10 Hexagon Nut
3	7702614	120 S/S Wheel c/w items 4,5,6
4	1901045	Ball Bearing
5	6902390	Bearing Spacer
6	2830001	Rubber Bung
7	2311090	M10 Flat Washer
8	2377104	M10 x 16 Socket Button Head Screw
9	6902741	Scraper Frame Side
10	7403011	120 Scraper Plate
11	6902659	120 Scraper Blade
12	2390052	M8 x 16 Roofing Bolt
14	2303007	M8 Hexagon Nut
15	2703012	Scraper Spring L/H
16	2703013	Scraper Spring R/H
17	2211365	M8 Starlock Washer - Capped
18	2311089	M8 Flat Washer

KITS

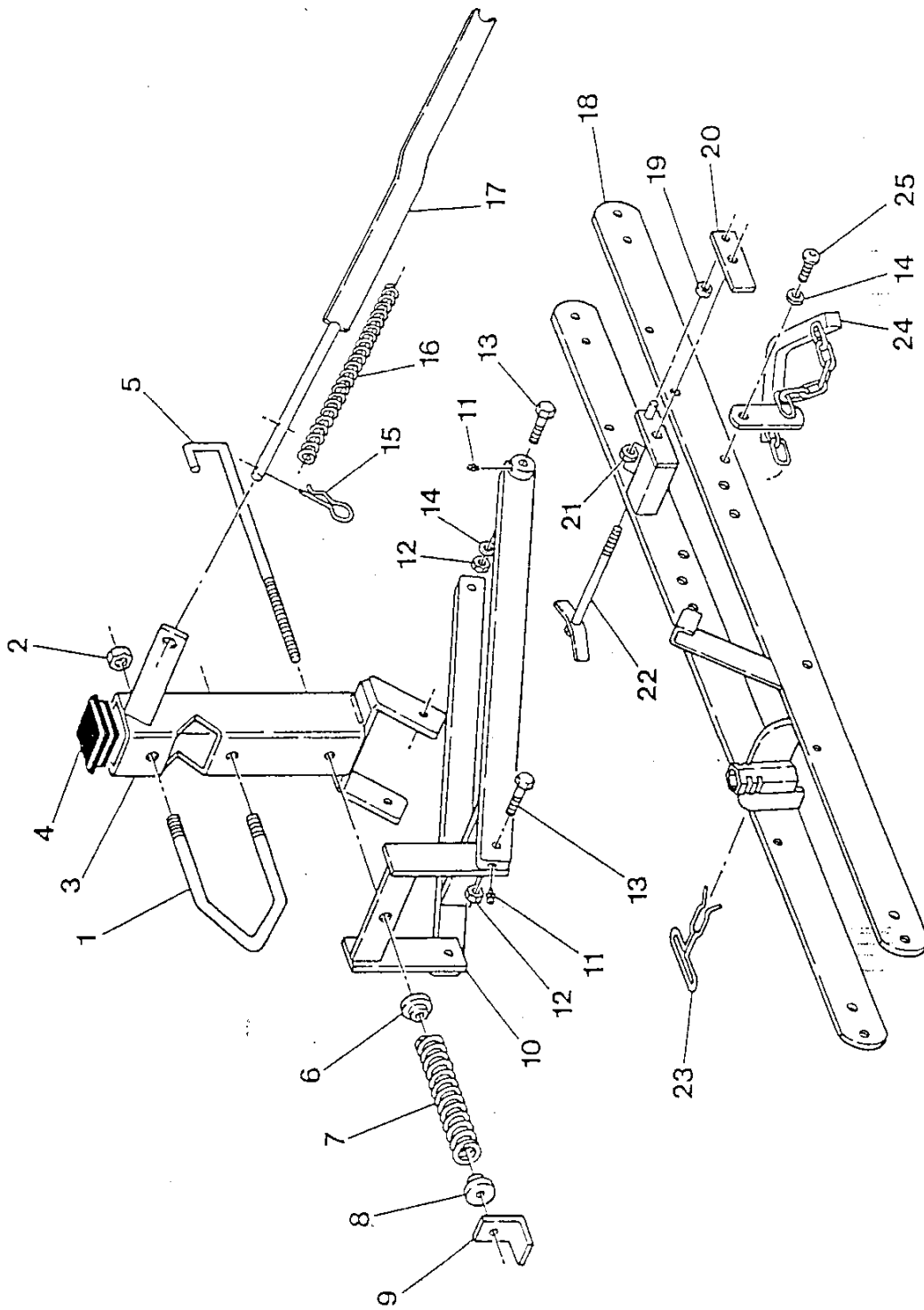
8002438	120 S/S Wheel Kit (items 1,2,3,7)
8002778	120 Wheel Scraper Kit (items 7-18)
8002780	120 S/S Wheel & Scraper Kit (items 1,2,3, 7-18)



STANHAY ROBIN 870

120mm WIDE CAGE WHEEL

Item No:	Part No:	Description:
1	2306082	M10 x 160 Hexagon Head Bolt
2	2303008	M10 Hexagon Nut
3	7702723	120 Cage Wheel c/w items 4, 5
4	1901045	Ball Bearing
5	6902390	Bearing Spacer
6	2311090	M10 Flat Washer
	KIT	
	8002524	120 Cage Wheel (items 1,2,3,6)



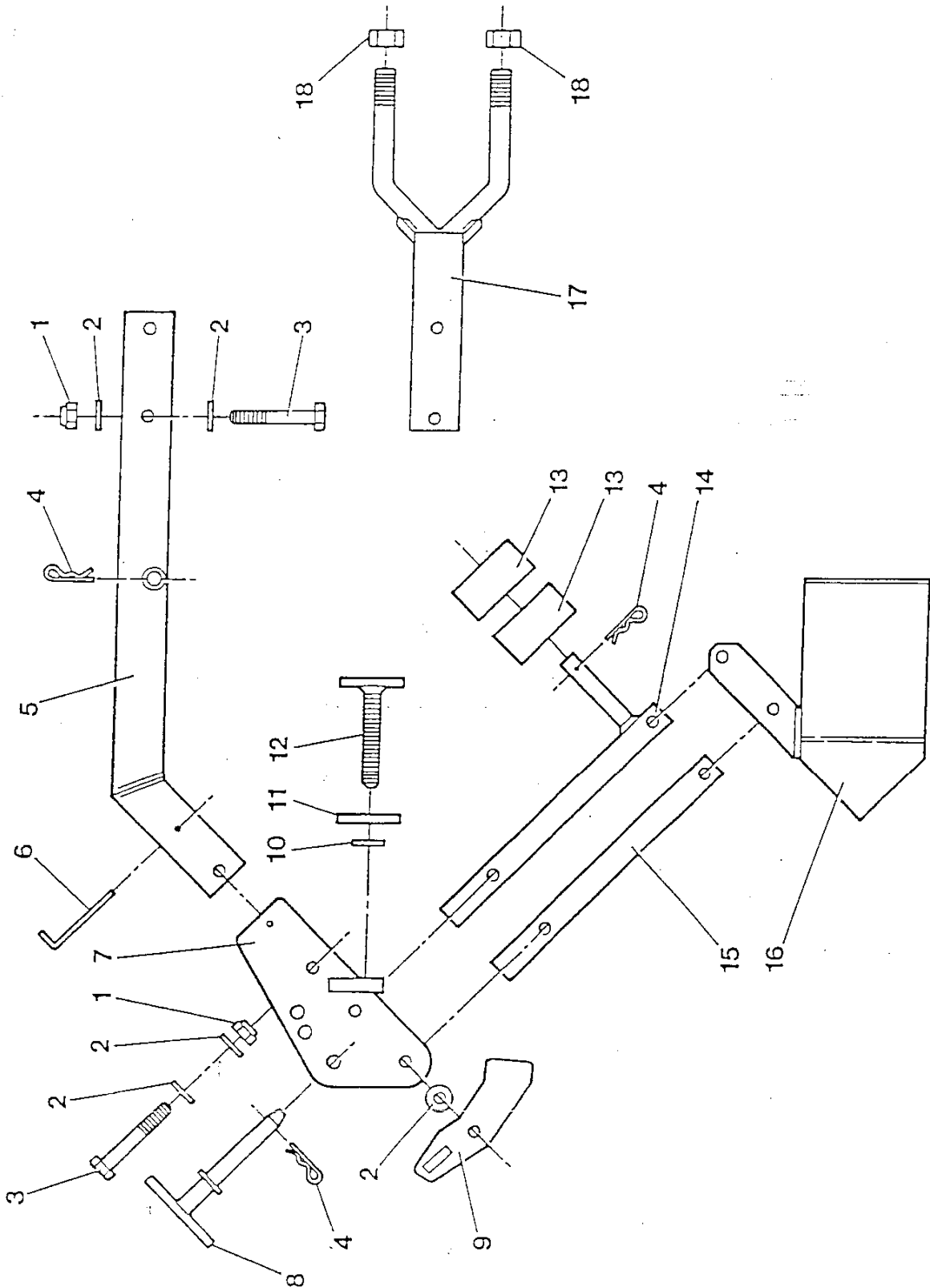
STANHAY ROBIN 870

CHASSIS

Item No:	Part No:	Description:
1	8002125	7001093 U-bolt c/w item 2
2	2303010	M16 Hexagon Nut
3	7400121	Attachment Stem
4	6402015	Plastic Plug
5	7000086	Chassis Spring Rod
6	2810067	Spring Guide Collar
7	2701006	Chassis Arm Spring
8	2810068	Spring End Collar
9	7000087	Spring Tensioner
10	7700145	Chassis Arms c/w item 11
11	6401004	1/4 Straight Greaser - Drive Fit
12	2301163	3/8 BSF Hexagon Locknut
13	2304642	3/8 BSF x 1.3/8 Hexagon Head Bolt
14	2311090	M10 Flat Washer
15	2316033	R-clip
16	2701001	Knee Joint Spring
17	7400007	Spring Rod
18	7403129	Chassis
19	7000022	Seeder Clamp Spacer
20	6902365	Unit Clamp
21	2303008	M10 Hexagon Nut
22	7402639	Clamp Handle
23	2705001	Coulter Clip
24	7400119	Drag Coverer
25	2377104	M10 x 16 Socket Button Head Screw
26	7701106	L/H Arm Coverer c/w item 28
27	7701105	R/H Arm Coverer c/w item 28
28	2215296	6 x 20 Tension Pin
29	2303007	M8 Hexagon Nut
30	2311089	M8 Flat Washer
31	6900089	Arm Spacer
32	2309048	M8 x 25 Hexagon Head Screw

KITS

8002900	Drag Coverer Kit (items 14,24,25)
8000053	Arm Coverer Kit (items 26,27,29-32)



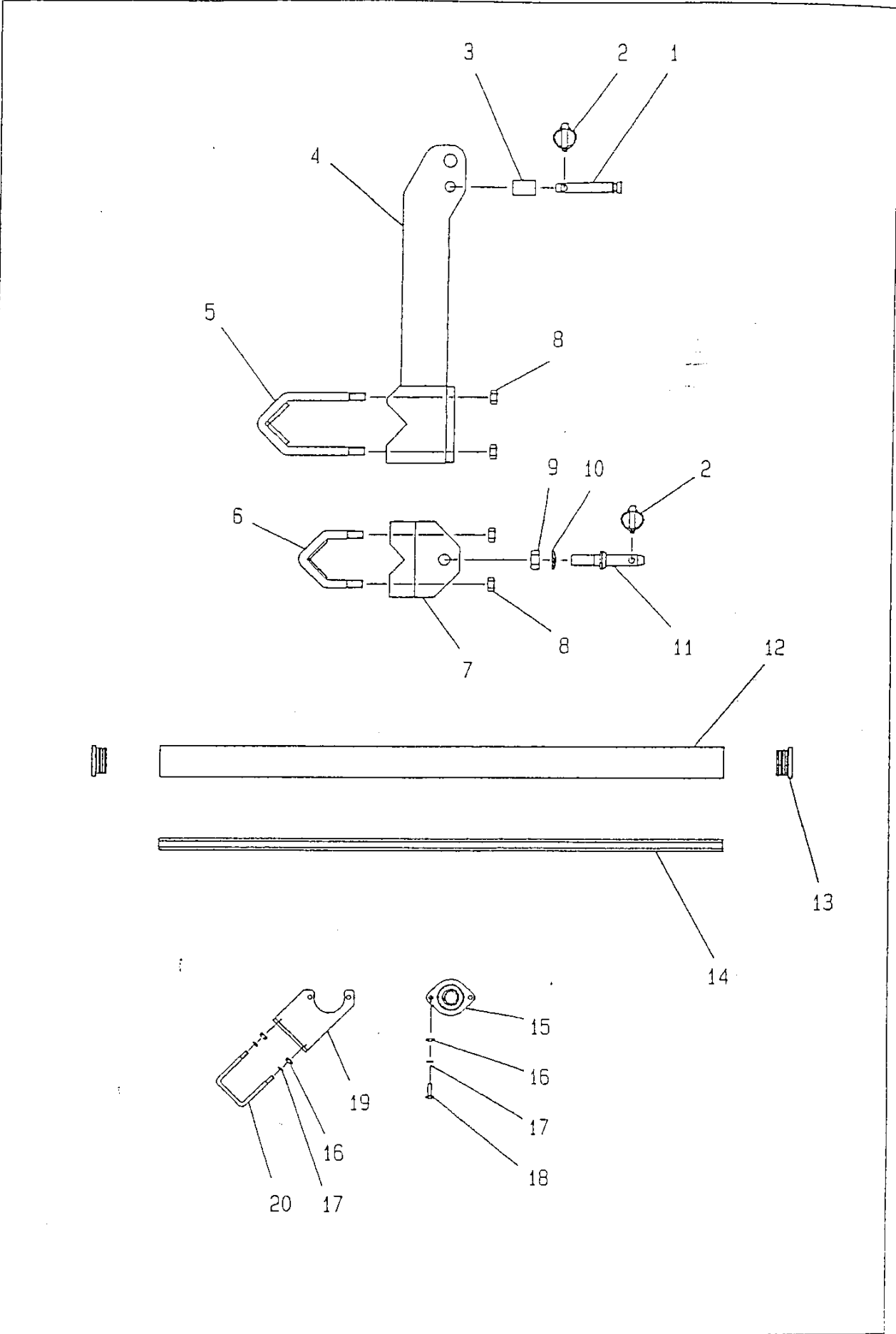
STANHAY ROBIN 870

CLOD DEFLECTOR

Item No:	Part No:	Description:
1	2303109	M10 Nyloc Hexagon Nut - thin
2	2311112	M10 Flat Washer - thin
3	2306072	M10 x 70 Hexagon Head Bolt
4	2316033	R-clip
5	7403004	Deflector Stem
6	6902240	Shear Pin
7	7402479	Link Bracket
8	7402238	Support Pin
9	7403001	Adjuster Arm
10	2311091	M12 Flat Washer
11	6902654	Locking Plate
12	7403002	Adjuster Screw
13	3000445	Ballast Weight
14	7402856	Upper Link
15	6902212	Lower Link
16	7402480	Deflector Blade
17	7402992	Deflector Bracket
18	2303010	M16 Hexagon Nut

ASSEMBLY

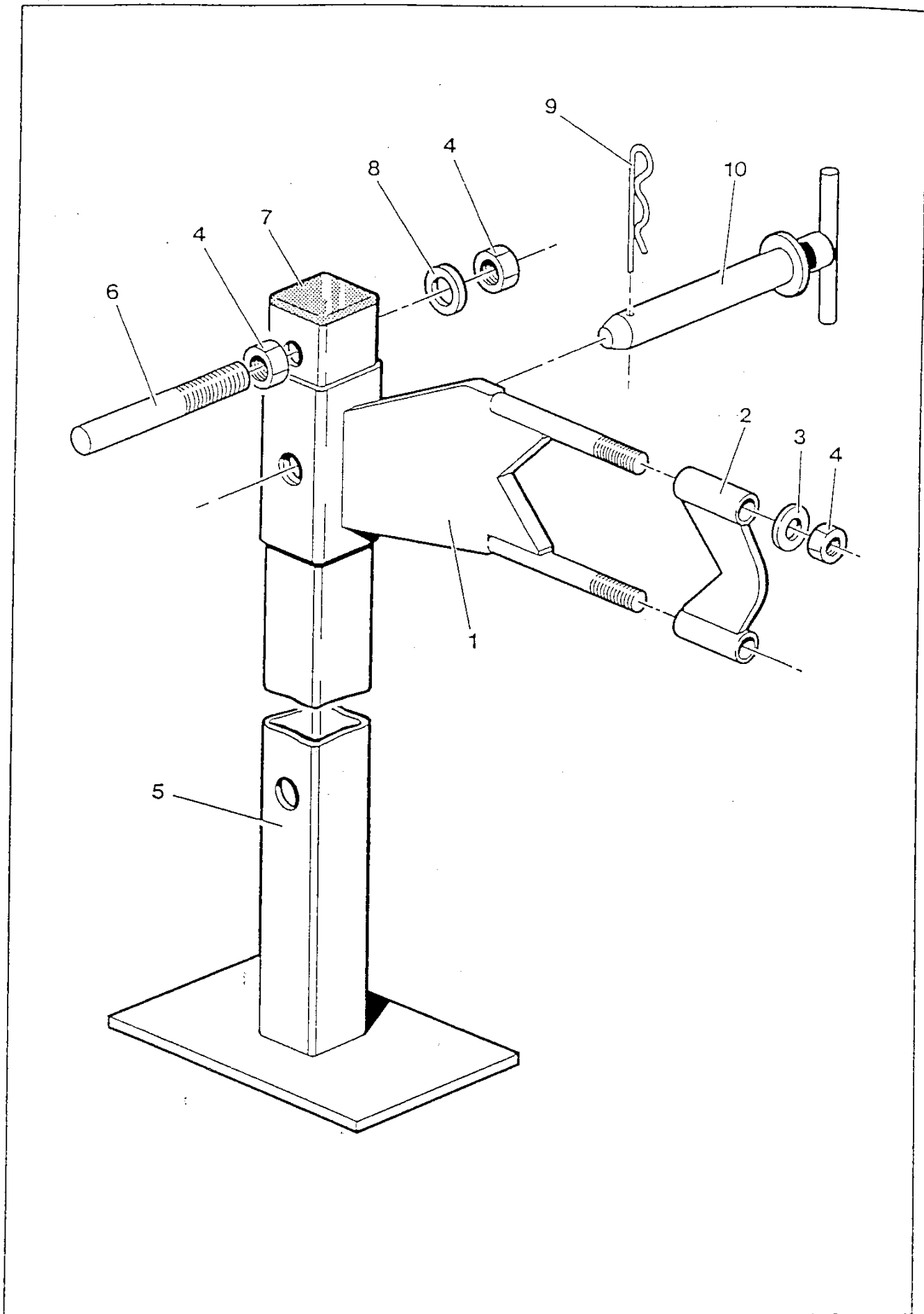
7702912 Clod Deflector (items 1-18)



STANHAY ROBIN 870

TRACTOR HITCH, TOOLBARS, SHAFTS, ETC.

Item No:	Part No:	Description:
1	2314807	Cat.1 Top Link Pin
2	2314754	Linch Pin
3	2314805	Cat.2 Conversion Sleeve
4	7403101	Upper Hitch
5	8002136	Upper Hitch U-bolt c/w item 8
6	8002135	Lower Hitch U-bolt c/w item 8
7	7403100	Lower Hitch
8	2303010	M16 Hexagon Nut
9	2302036	7/8 UNF Hexagon Nut
10	2310409	7/8 Spring Washer
11	2314806	Cat.1 Bottom Link Pin c/w items 9,10
12	7702352	1.10M Toolbar
	7702192	1.50M Toolbar
	7702668	2.00M Toolbar
	7701112	2.30M Toolbar
	7701113	2.90M Toolbar
13	6402015	Plastic Plug
14	6902174	1.10M Shaft
	6902105	1.50M Shaft
	6902469	2.00M Shaft
	7000067	2.30M Shaft
	7000068	2.90M Shaft
15	8010027	1905025 Ball Bearing c/w items 16-18
16	2303007	M8 Hexagon Nut
17	2311215	M8 Spring Washer
18	2309048	M8 x 25 Hexagon Head Screw
19	7400070	Bearing Bracket
20	8002126	7001098 U-bolt c/w items 16,17
KITS		
	8002751	Tractor Hitch Kit (items 1-11)
	7700996	Bearing Bracket (items 15-20)



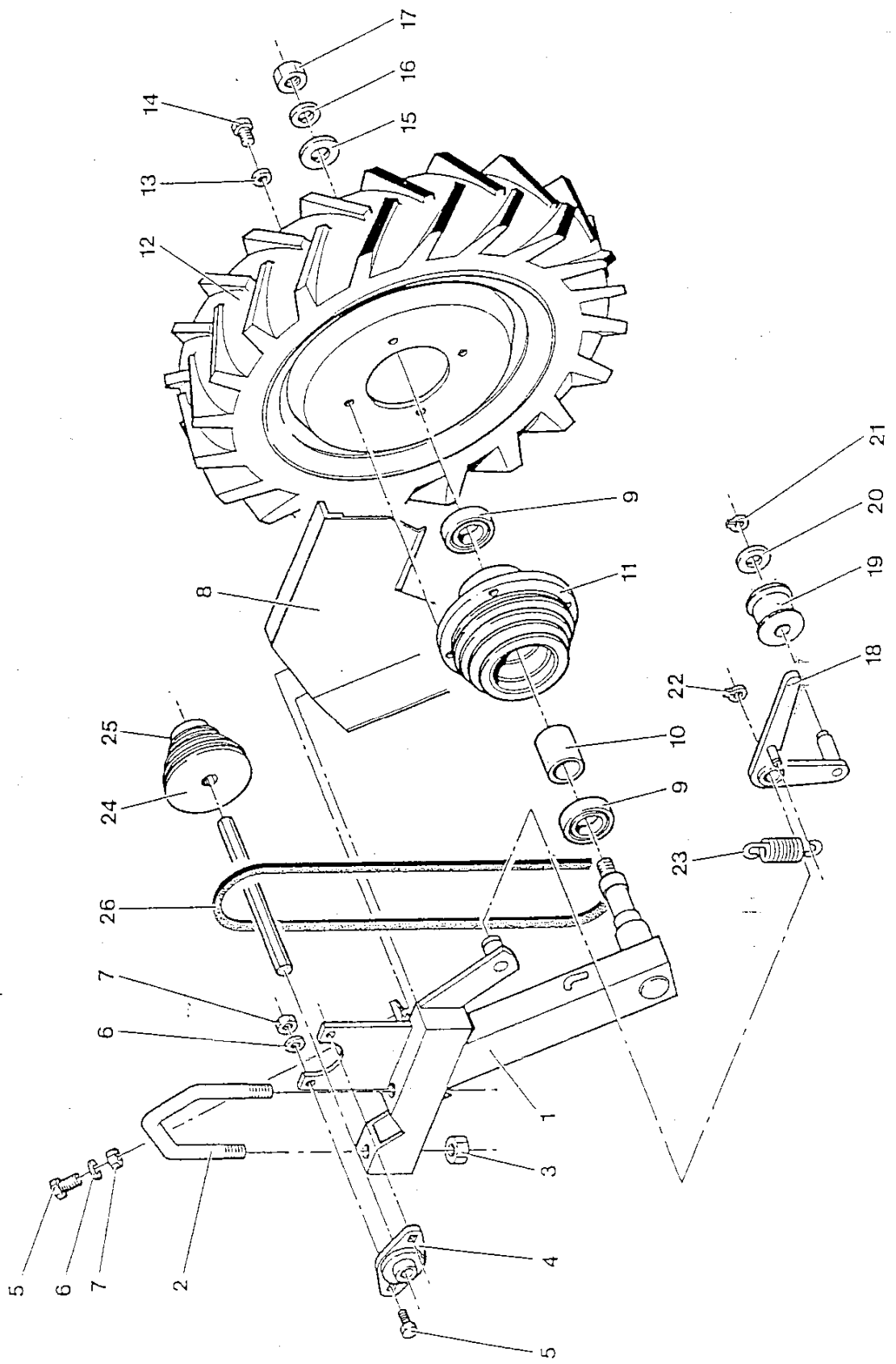
STANHAY ROBIN 870

PARKING STAND

Item No:	Part No:	Description:
1	7402247	Parking Stand Bracket - Toolbar
2	7400709	Half Clamp
3	2311091	M12 Flat Washer
4	2303009	M12 Hexagon Nut
5	7402141	Parking Stand
6	6902100	Stand Handle
7	6402018	Plastic Plug
8	2311217	M12 Spring Washer
9	2316033	R-Clip
10	7402238	Support Pin

ASSEMBLY

7702095	Parking Stand - Toolbar (items 1-10)
---------	-----------------------------------------



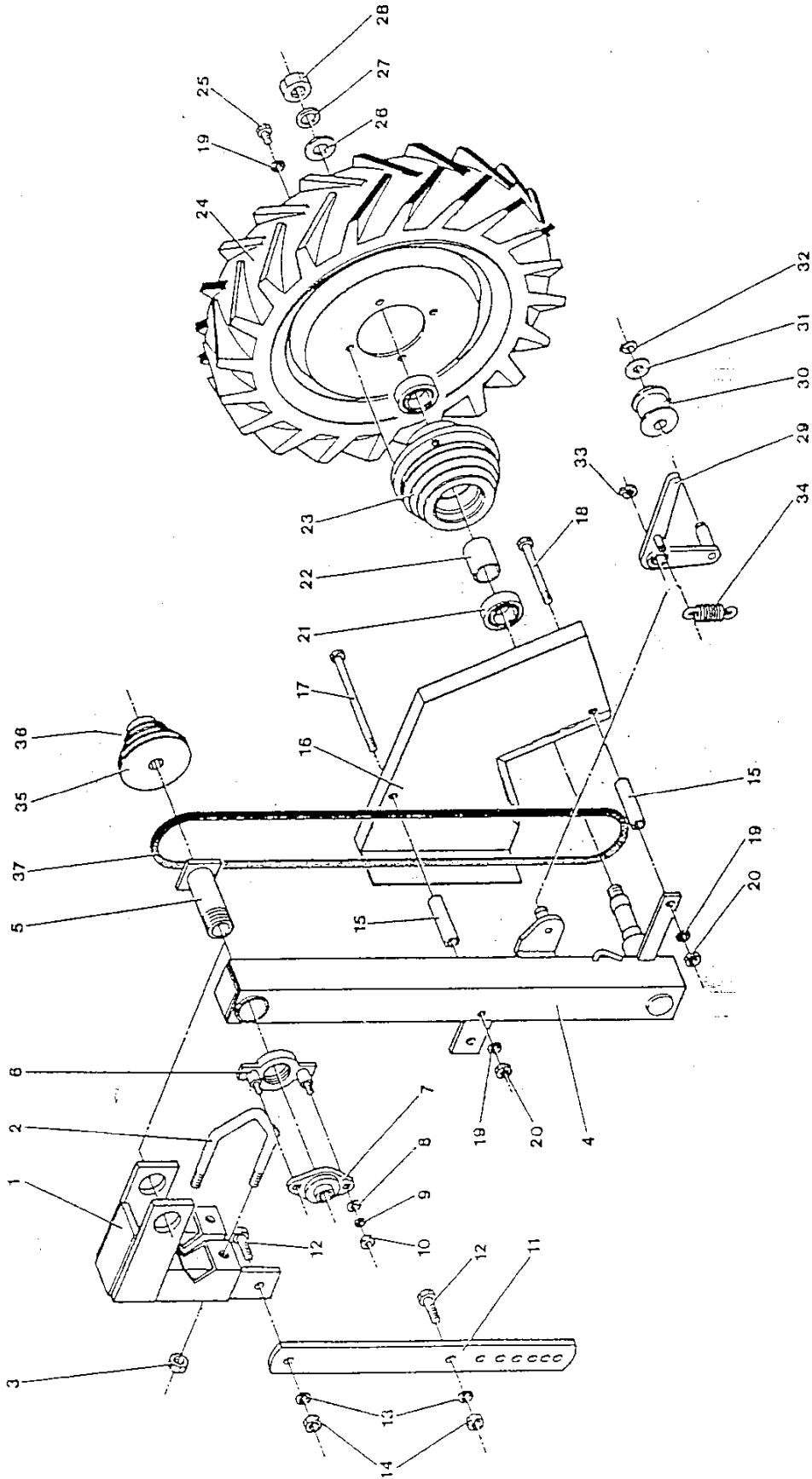
STANHAY ROBIN 870

MASTER LANDWHEEL (R/H ILLUSTRATED)

Item No:	Part No:	Description:
1	7402286	Wheel Arm R/H
	7402287	Wheel Arm L/H
2	8002125	7001093 U-bolt c/w item 3
3	2303010	M16 Hexagon Nut
4	8010027	1905025 Ball Bearing c/w items 5-7
5	2309048	M8 x 25 Hexagon Head Screw
6	2311215	M8 Spring Washer
7	2303007	M8 Hexagon Nut
8	7401080	Landwheel Guard R/H
	7401081	Landwheel Guard L/H
9	1901106	Ball Bearing
10	6900053	Bearing Spacer
11	3000197	Landwheel Hub
12	5700004	Landwheel R/H (c/w tyre & tube)
	5700005	Landwheel L/H (c/w tyre & tube)
	5700001	Landwheel only
	5700002	Tyre
	5700003	Tube
13	2311216	M10 Spring Washer
14	2309061	M10 x 20 Hexagon Head Screw
15	2311093	M20 Flat Washer
16	2311219	M20 Spring Washer
17	2303011	M20 Hexagon Nut
18	7401078	Jockey Lever R/H
	7401079	Jockey Lever L/H
19	6902359	Jockey Roller - flanged
20	2311114	M16 Flat Washer - thin
21	2217012	Circlip
22	2217003	Circlip
23	2702001	Jockey Lever Spring
24	7700063	Shaft Pulley c/w item 25
25	2308341	1/4 UNC x 3/4 Hexagon Head Screw
26	1310047	V-belt

ASSEMBLIES & KITS

7700961	R/H Jockey Lever Assembly (items 18-22)
7700962	L/H Jockey Lever Assembly (items 18-22)
7700965	Landwheel Hub (items 10,11,12)
8002111	Pair of Master Landwheels complete
8002161	R/H Master Landwheel complete
8002162	L/H Master Landwheel complete



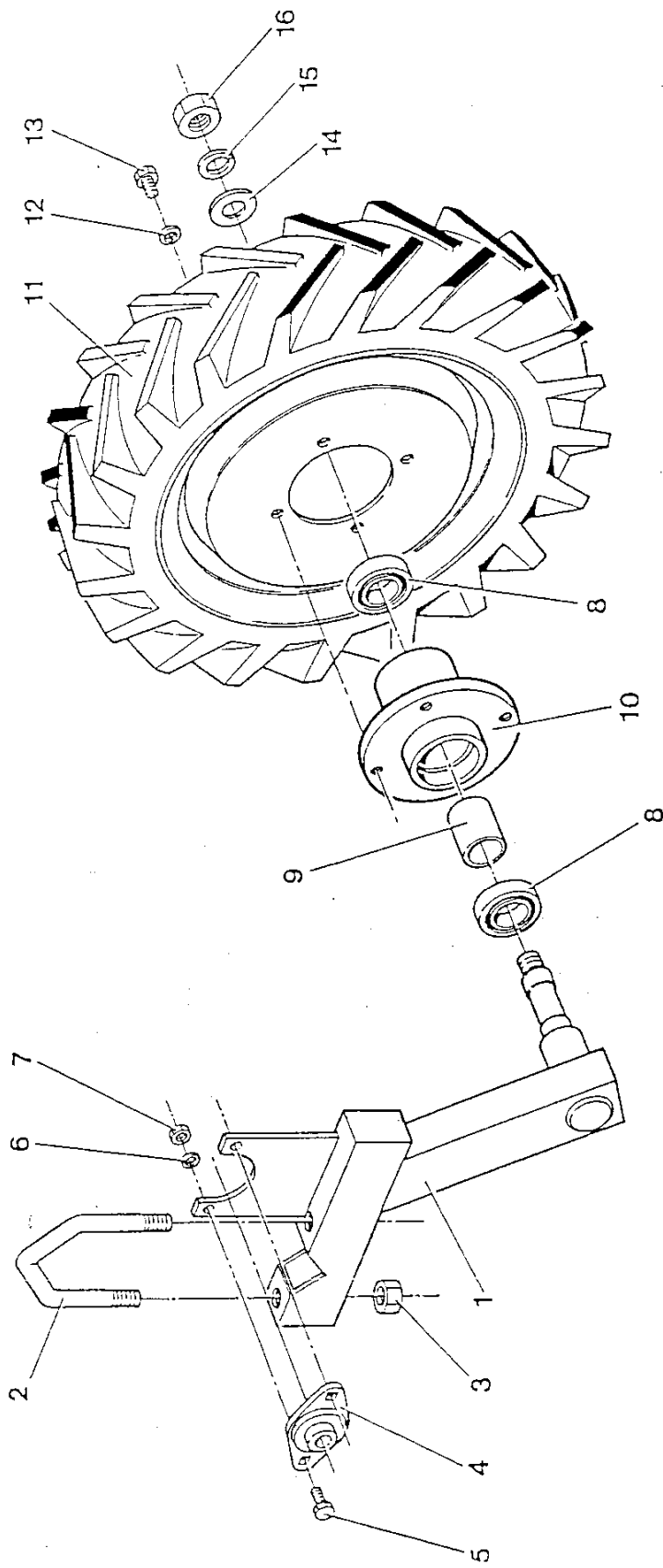
STANHAY ROBIN 870
ADJUSTABLE MASTER LANDWHEEL (R/H ILLUSTRATED)
 (To 19cm below standard)

Item No:	Part No:	Description:
1	7401087	Wheel Arm R/H
	7401088	Wheel Arm L/H
2	8002125	7001093 U-bolt c/w item 3
3	2303010	M16 Hexagon Nut
4	7402422	Wheel Stem R/H
	7402423	Wheel Stem L/H
5	7400064	Pivot Bolt
6	7401086	Pivot Bolt Nut
7	8010027	1905025 Ball Bearing c/w items 8-10
8	2311089	M8 Flat Washer
9	2311215	M8 Spring Washer
10	2303007	M8 Hexagon Nut
11	6902217	Wheel Stem Stay
12	2309080	M12 x 40 Hexagon Head Screw
13	2311217	M12 Spring Washer
14	2303009	M12 Hexagon Nut
15	6900057	Guard Spacer
16	7400068	Landwheel Guard R/H
	7400069	Landwheel Guard L/H
17	2306082	M10 x 160 Hexagon Head Bolt
18	2306077	M10 x 110 Hexagon Head Bolt
19	2311216	M10 Spring Washer
20	2303008	M10 Hexagon Nut
21	1901106	Ball Bearing
22	6900053	Bearing Spacer
23	3000197	Landwheel Hub
24	5700004	Landwheel R/H c/w tyre & tube
	5700005	Landwheel L/H c/w tyre & tube
	5700001	Landwheel only
	5700002	Tyre
	5700003	Tube
25	2309061	M10 x 20 Hexagon Head Screw
26	2311093	M20 Flat Washer
27	2311219	M20 Spring Washer
28	2303011	M20 Hexagon Nut
29	7401078	Jockey Lever R/H
	7401079	Jockey Lever L/H
30	6902359	Jockey Roller - flanged
31	2311114	M16 Flat Washer - thin
32	2217012	Circlip
33	2217003	Circlip
34	2702001	Jockey Lever Spring
35	7700063	Shaft Pulley c/w item 36
36	2308341	1/4 UNC x 3/4 Hexagon Head Screw
37	1310063	V-Belt

ASSEMBLIES & KITS

7700961	R/H Jockey Lever Assembly (items 29-33)
7700962	L/H Jockey Lever Assembly (items 29-33)
7700965	Landwheel Hub (items 21,22,23)
*8002281	Pair of Adj. Master Landwheels complete
*8002282	R/H Adj. Master Landwheel complete
*8002283	L/H Adj. Master Landwheel complete

* Includes Bearing Bracket 7700996, which should be mounted as close as possible to the 4-speed shaft pulley.



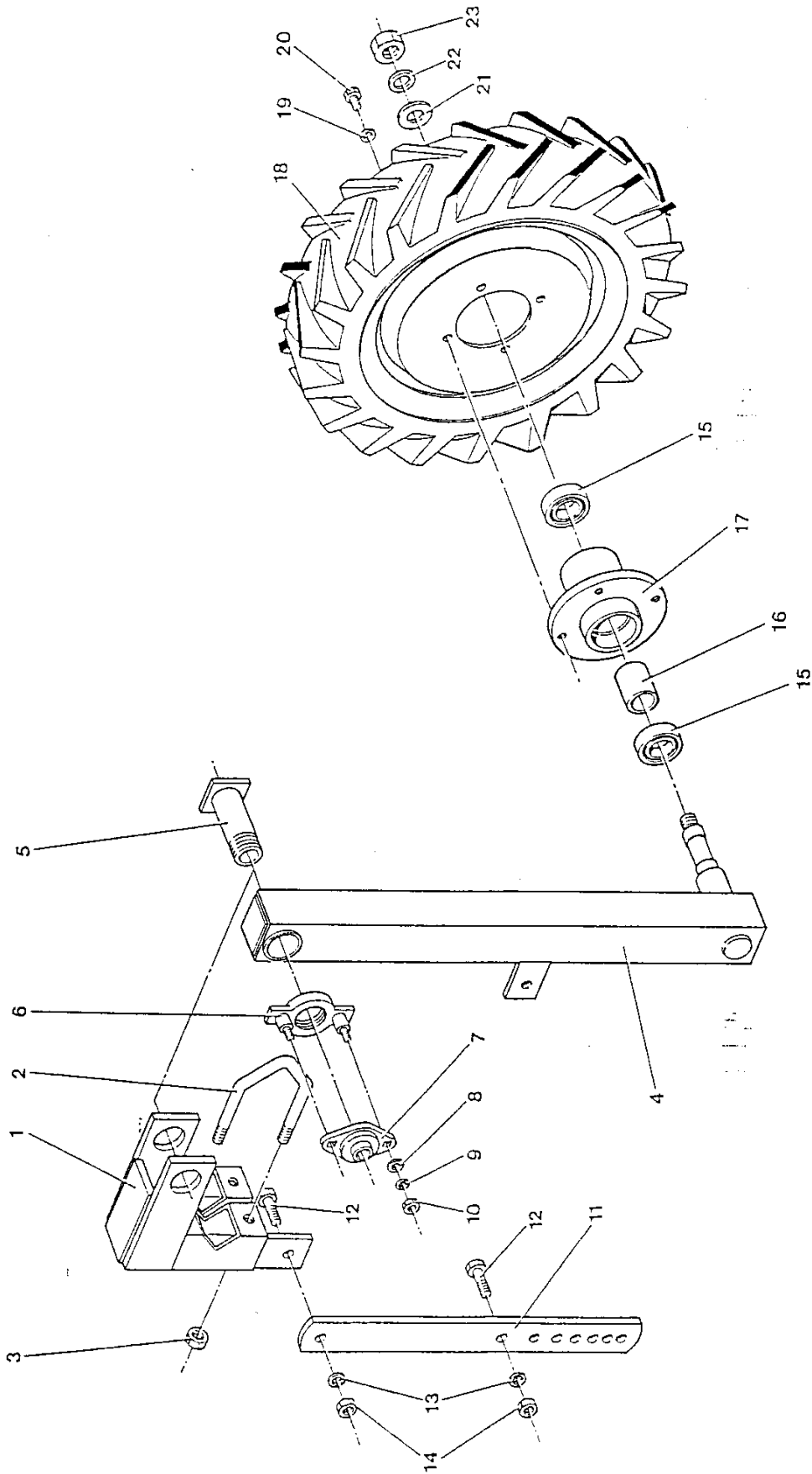
STANHAY ROBIN 870

SUPPORT WHEEL - MLD (R/H ILLUSTRATED)

Item No:	Part No:	Description:
1	7402367	R/H Support Wheel Arm
	7403054	L/H Support Wheel Arm
2	8002125	7001093 U-bolt c/w item 3
3	2303010	M16 Hexagon Nut
4	8010027	1905025 Ball Bearing c/w items 5-7
5	2309048	M8 x 25 Hexagon Head Screw
6	2311215	M8 Spring Washer
7	2303007	M8 Hexagon Nut
8	1901106	Ball Bearing
9	6900053	Bearing Spacer
10	7402369	Support Wheel Hub
11	5700004	Landwheel R/H (c/w tyre & tube)
	5700005	Landwheel L/H (c/w tyre & tube)
	5700001	Landwheel only
	5700002	Tyre
	5700003	Tube
12	2311216	M10 Spring Washer
13	2309061	M10 x 20 Hexagon Head Screw
14	2311093	M20 Flat Washer
15	2311219	M20 Spring Washer
16	2303011	M20 Hexagon Nut

KITS

7702355	Support Wheel Hub (items 8-10)
8002247	R/H Support Wheel - MLD - complete
8002718	L/H Support Wheel - MLD - complete



STANHAY ROBIN 870

SUPPORT WHEEL - ALD (R/H ILLUSTRATED)

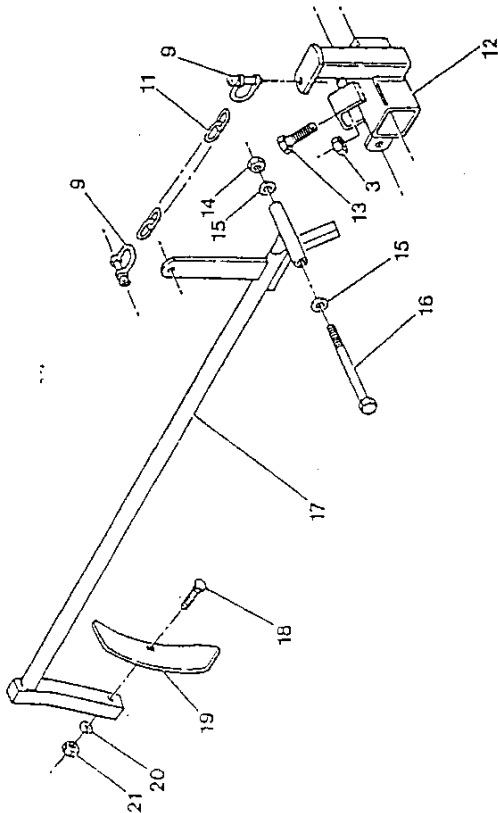
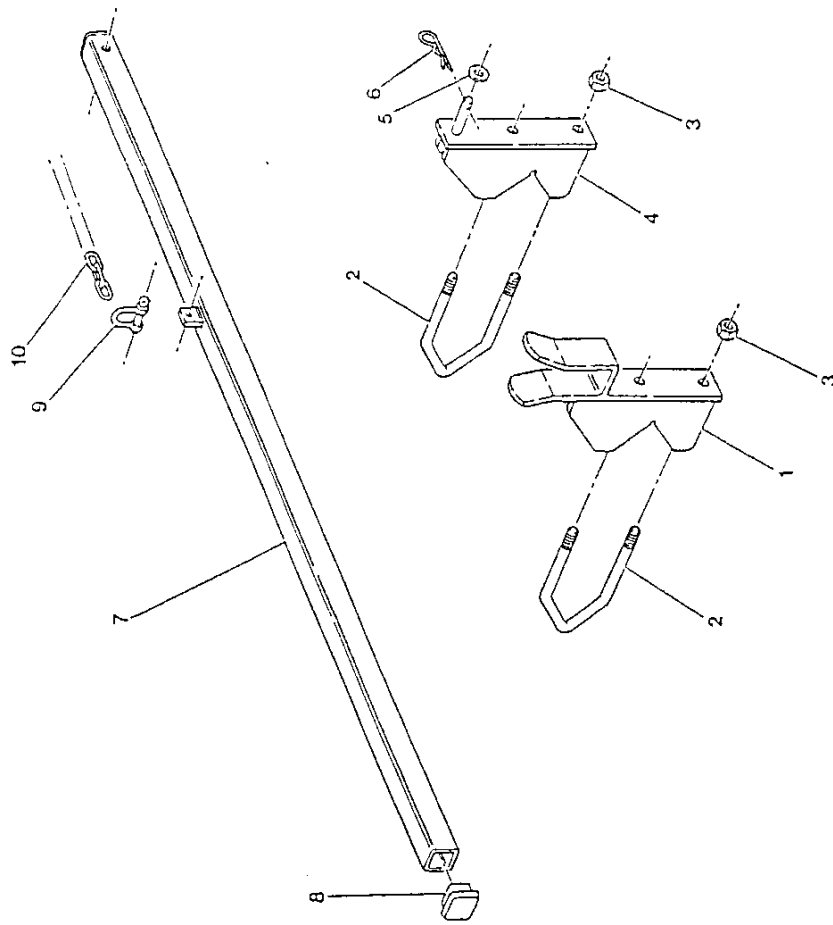
(To 19cm below standard)

Item No:	Part No:	Description:
1	7401087	R/H Wheel Arm
	7401088	L/H Wheel Arm
2	8002125	7001093 U/bolt c/w item 3
3	2303010	M16 Hexagon Nut
4	7402424	R/H Support Wheel Stem
	7403053	L/H Support Wheel Stem
5	7400064	Pivot Bolt
6	7401086	Pivot Bolt Nut
7	8010027	1905025 Ball Bearing c/w items 8-10
8	2311089	M8 Flat Washer
9	2311215	M8 Spring Washer
10	2303007	M8 Hexagon Nut
11	6902217	Wheel Stem Stay
12	2309080	M12 x 40 Hexagon Head Screw
13	2311217	M12 Spring Washer
14	2303009	M12 Hexagon Nut
15	1901106	Ball Bearing
16	6900053	Bearing Spacer
17	7402369	Support Wheel Hub
18	5700004	Landwheel R/H c/w tyre & tube
	5700005	Landwheel L/H c/w tyre & tube
	5700001	Landwheel only
	5700002	Tyre
	5700003	Tube
19	2311216	M10 Spring Washer
20	2309061	M10 x 20 Hexagon Head Screw
21	2311093	M20 Flat Washer
22	2311219	M20 Spring Washer
23	2303011	M20 Hexagon Nut

KITS

7702355	Support Wheel Hub (items 15-17)
*8002284	R/H Support Wheel - ALD - complete
*8002717	L/H Support Wheel - ALD - complete

*Includes Bearing Bracket 7700996, which should be mounted as close as possible to 4-speed shaft pulley.



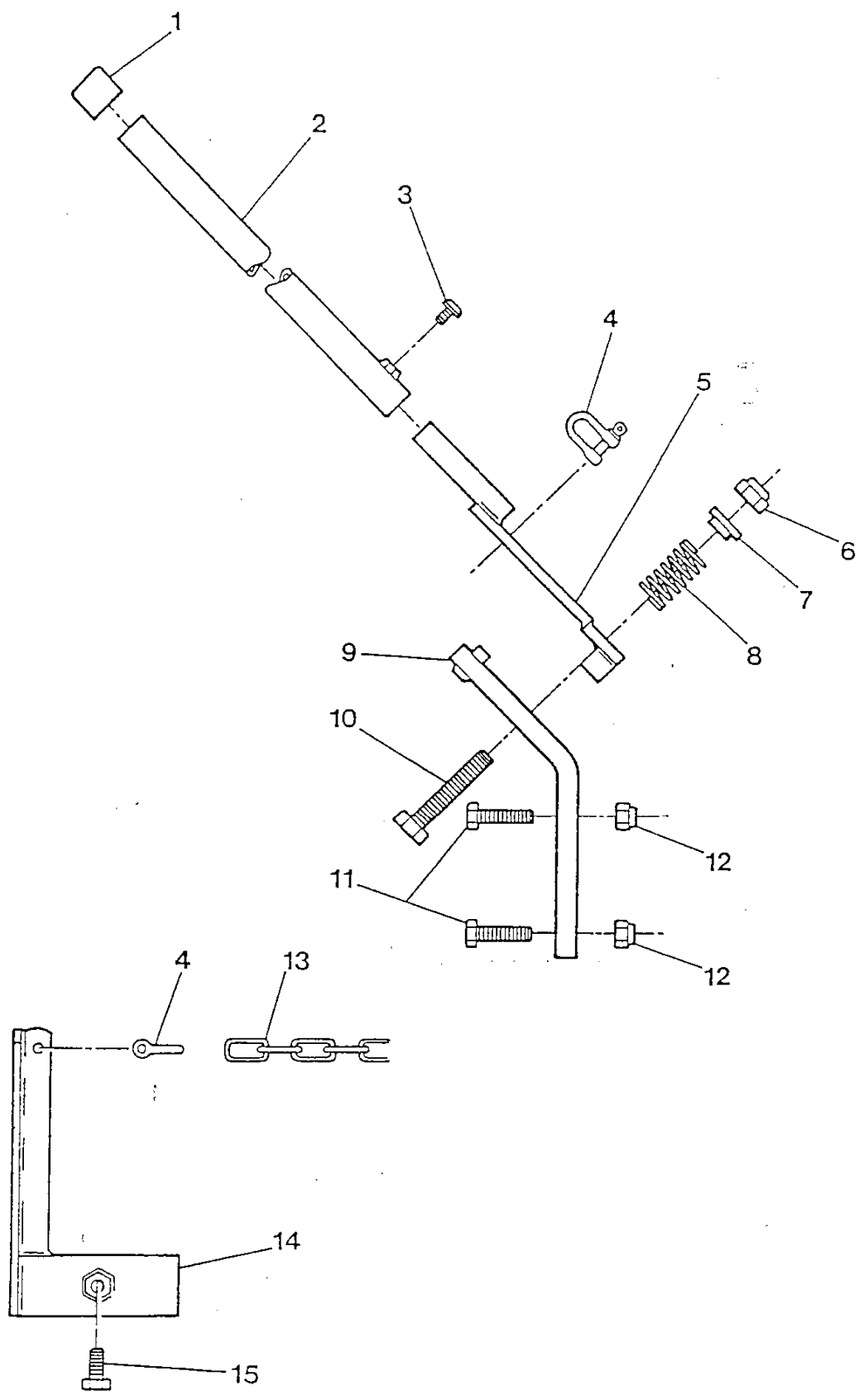
STANHAY ROBIN 870

MANUAL MARKERS

Item No:	Part No:	Description:
1	7402293	Marker Beam Guide
2	8002127	7002005 U-Bolt c/w item 3
3	2303010	M16 Hexagon Nut
4	7402292	Marker Beam Hinge
5	2311092	M16 Flat Washer
6	2316033	R-clip
7	7400825	1.37M Marker Beam
8	6402018	Plastic Plug
9	6408002	1/4 D-shackle
10	6900985	Connecting Chain
11	6902599	Marker Arm Chain - 8 links
12	7402521	Marker Arm Bracket
13	2306128	M16 x 50 Hexagon Head Bolt
14	2303094	M12 Nyloc Hexagon Nut
15	2311091	M12 Flat Washer
16	2306109	M12 x 130 Hexagon Head Bolt
17	7402522	Marker Arm
18	2306489	M10 x 40 Coach Bolt
19	6000002	Tine
20	2311216	M10 Spring Washer
21	2303008	M10 Hexagon Nut

KITS

7702230	Marker Beam Guide (items 1,2)
7702229	Marker Beam Hinge (items 2,4,5,6)
7702834	Marker Arm & Bracket (items 3,9, 11-21)
8002112	Pair of 1.37M Manual Markers



STANHAY ROBIN 870

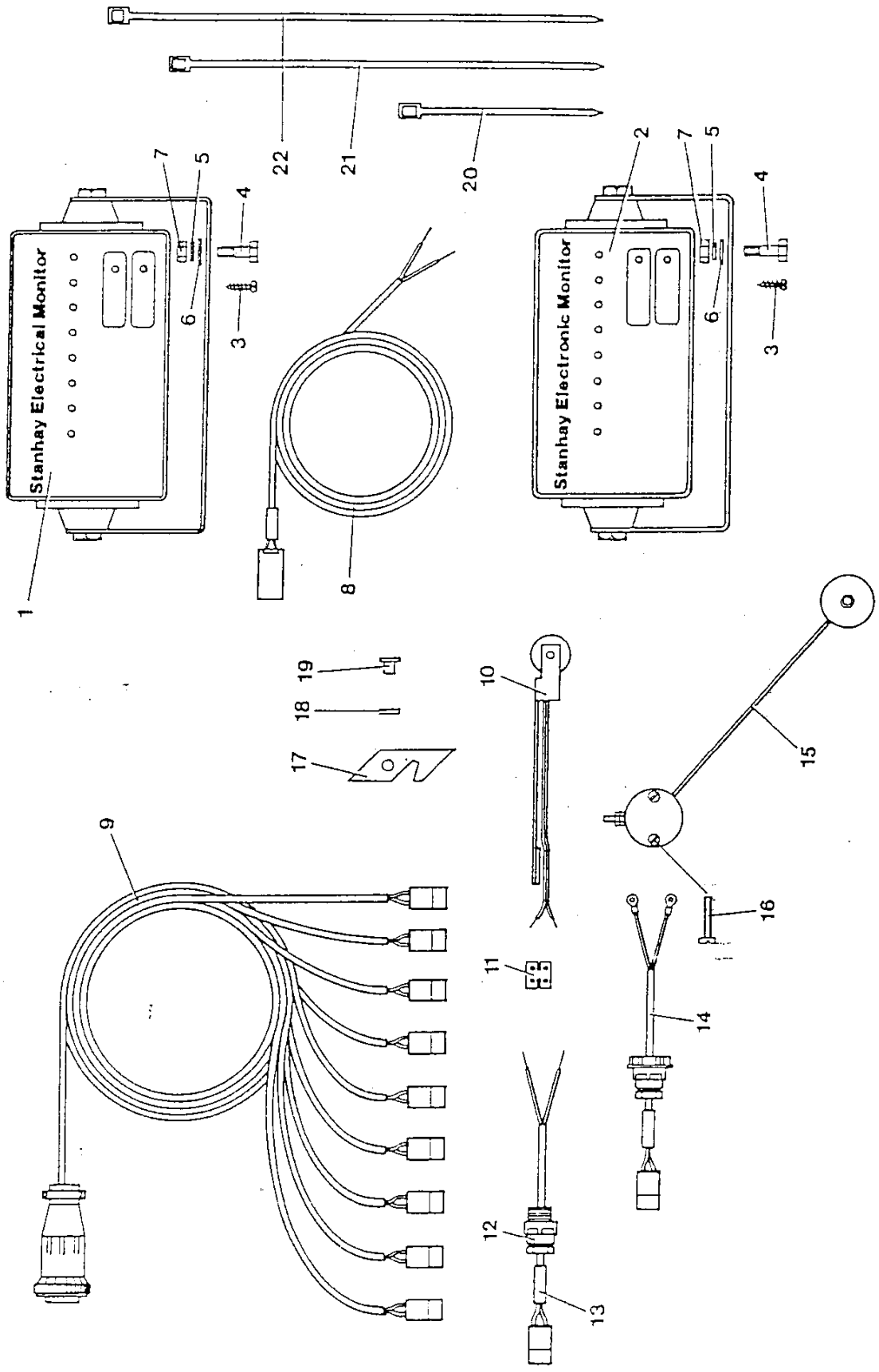
MANUAL MARKER

CHANGE-OVER KIT

Item No:	Part No:	Description
1	6403011	Plastic Ferrule
2	7403034	Marker Lever
3	2377079	M8 x 12 Socket Button Head Screw
4	6408002	1/4 D-shackle
5	7403034	Marker Handle
6	2303095	M16 Nyloc Hexagon Nut
7	2810209	Spring Cap
8	2701050	Compression Spring
9	7403033	Marker Handle Pivot Bracket
10	2306134	M16 x 80 Hexagon Head Bolt
11	2306097	M12 x 45 Hexagon Head Bolt
12	2303094	M12 Nyloc Hexagon Nut
13	6900985	Connecting Chain
14	7702864	Marker Beam Lifter c/w item 15
15	2309077	M12 x 25 Hexagon Head Screw

ASSEMBLIES & KITS

7702925	Marker Lever & Pivot (items 1-12)
8002686	Marker Change-Over Kit complete



STANHAY ROBIN 870

ELECTRICAL MONITORING SYSTEM

Item No:	Part No:	Description:
1	5301008	8 row Light Box c/w item 8
	5301010	16 row Light Box c/w item 8
2	5301023	4 row Electronic Box c/w item 8
	5301024	5 row Electronic Box c/w item 8
	5301025	6 row Electronic Box c/w item 8
	5301026	7 row Electronic Box c/w item 8
	5301027	8 row Electronic Box c/w item 8
	5301028	9 row Electronic Box c/w item 8
	5301029	10 row Electronic Box c/w item 8
	5301030	12 row Electronic Box c/w item 8
	5301031	15 row Electronic Box c/w item 8
3	2385052	No.8 x 8 Pan Head Self-Tapping Screw
4	2309034	M6 x 20 Hexagon Head Screw
5	2311214	M6 Spring Washer
6	2311088	M6 Flat Washer
7	2303006	M6 Hexagon Nut
8	5201039	Power Supply Lead
9	5201052	4 row Loom
	5201059	6 row Loom
	5201060	8 row Loom
10	7702476	Belt Tensioner & Reed Switch Assembly
	5208050	Reed Switch (bolt-on) c/w Screw & Nut
11	5209051	2-way Connector
12	5205004	Indicator Lead Gland
13	5201040	Indicator Lead
14	5201041	Hopper Monitor Lead
15	7700021	Hopper Monitor (straight arm)
16	2219288	5BA x 1 Slotted Cheese Head Screw - Brass
	2201706	5BA Hexagon Nut - Brass
17	7000038	Monitor Arm Catch
18	6900037	Arm Catch Spacer
19	2212559	Pop Rivet
20	5215044	Cable Tie
21	5215045	Cable Tie
22	5215046	Cable Tie

NOT SHOWN ON ILLUSTRATION

5201049	Power Supply Adaptor Lead (to power 2 boxes)
5201045	Extension Lead (Light Box to Loom)
5201046	Extension Lead (Loom to Metering Unit)
5201061	Unit/Loom Repair Kit (8 rows)
5203022	Loom Plug Kit (14 pin)
*5306004	1-8 row Electronic Conversion Kit
*5306005	9-16 row Electronic Conversion Kit
5306007	8 row Electrical Fascia Board
5306008	16 row Electrical Fascia Board
5306009	8 row Electronic Fascia Board
5306010	16 row Electronic Fascia Board

* State number of rows required.





Stanhay Webb Limited

Houghton Road, Grantham, Lincs, NG31 6JE

Tel: 01476 515406 Fax: 01476 515407

TOP PARTS KITS

FOR STANHAY PRECISION SEED DRILLS AS SPECIFIED BELOW

KIT NO. WHEEL KITS

9	Wheel Bush Kit x 10	870,981
10	Rear Wheel Axle c/w bush x 3	981
11	Zero Pressure Front Axle c/w bush x 3	981
12	Front & Rear Axle c/w bush x 3	870
13	Scraper c/w plate x 3	WS,870,981

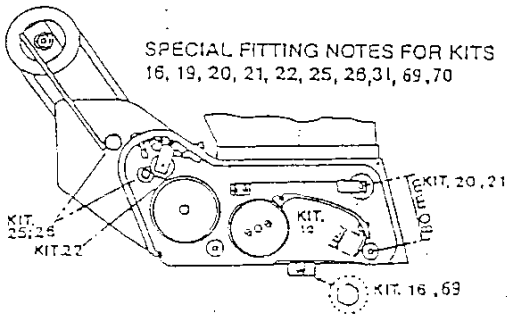
METERING UNIT AND CHASSIS KITS

14	Unit Bearing x 4	870,981,985,840,830,820
15	Drive Tyre x 3	870,981,985,840,830,820
16	Update Kit x 1	870,981,840,830,820
17	Repeller Tyre HP Brown x 3	870,981,840,830,820
18	Repeller Tyre x 3	870,981,985,840,830,820
19	Rubber Flap Kit x 5	870,981,985
20	Belt Tensioner Electrical Type x 1	870,981,985,840,830,820
21	Belt Tensioner Non-electrical x 1	870,981,985,840,830,820
22	Indicator Assembly x 1	870
23	Hopper Seal Kit x 3	870,981,985,840,830,820
24	Chain Case Seal Kit x 3	870,981,985,840,830,820
25	Drive Sprocket Kit x 1	870,981,785,985,590,592,585
26	Chain & Sprocket Kit x 1	870,981,985,840,830,820
27	Drive Shaft Bearing Kit x 1	870,981,785,985,590,592,585
28	Chassis Bolt Kit x 12	870
31	Repeller Spindle Screw Type x 1	870,981,985,840,820
70	Repeller Wheel - Screw on x 1	870,981,985,840,820
66	Solid Rep. Tyre small seeds x 3	870,981,985,840,820
34	Seeder Chute Kit x 1	870,981,985,840,820
35	Spring Rod Kit x 1	870,840
36	Spring Rod Kit x 1	981
69	Adjustable Base Pin x 1	870,985,840,820

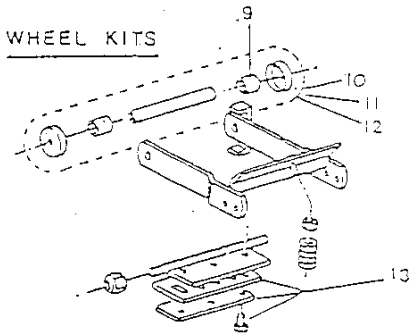
MULTI LINE BASE KITS
(overall width)

37	Coulter Base 100mm x 3 rib Kit x 1	870,981,985,840,820
38	Coulter Base 50mm x 2 rib Kit x 1	870,981,985,840,820
39	Coulter Base 75mm x 2 rib Kit x 1	870,981,985,840,820
40	Coulter Base 50mm x 3 rib Kit x 1	870,981,985,840,820
41	Coulter Base 75mm x 3 rib Kit x 1	870,981,985,840,820

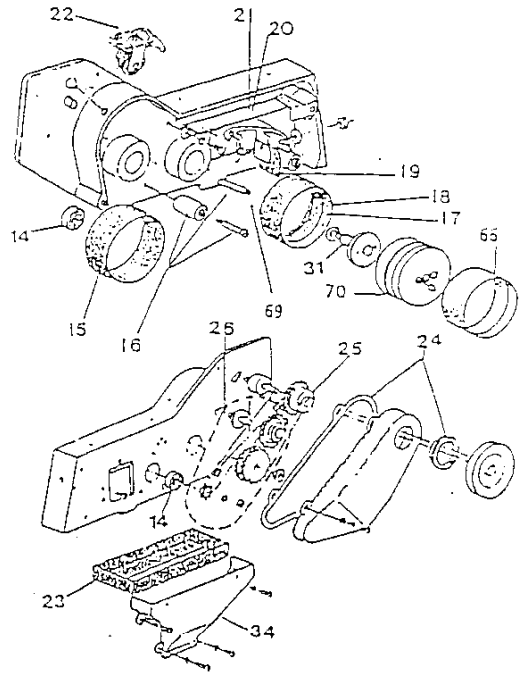
SPECIAL FITTING NOTES FOR KITS
16, 19, 20, 21, 22, 25, 28, 31, 69, 70



WHEEL KITS

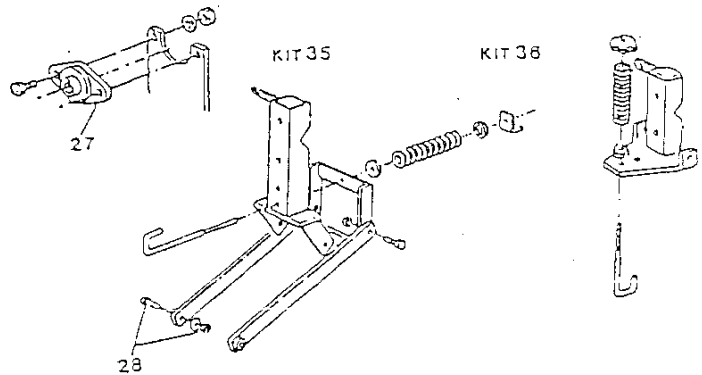


METERING UNIT KITS



CHASSIS KITS

SPRING ROD KITS



KIT 16 as per diagram

KIT 19 as per diagram 27MM

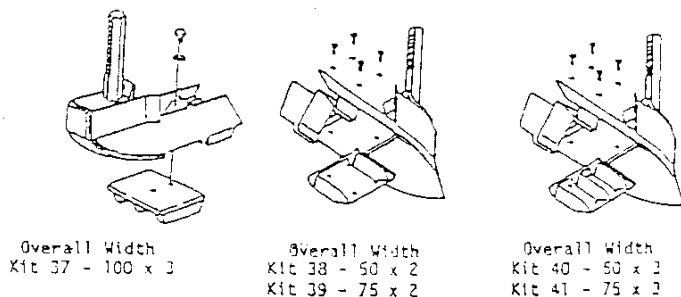
KIT 20-21 adjust to 80mm with seed belt removed

KIT 22 adjust indicator wheel to .75mm clearance from drive wheel with seed belt removed

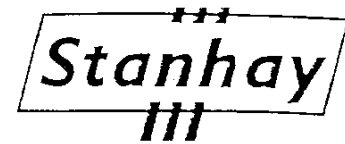
KIT 25-26 chain adjuster nuts

Kit 31, 70 shim out Spindle so that the repeller wheel fits centrally in the unit

MULTI LINE BASE KITS



STANHAY WEBB WARRANTY POLICY



LIMITATION OF LIABILITY

1. Stanhay Webb Ltd (the Company) does not give any Warranty in respect of its products except the limited Warranty contained in paragraphs 3-5 below which is expressly in lieu of all other warranties or conditions expressed or implied and of all other obligations or liabilities on its part. The company supplies its products on the express condition that the purchaser is solely responsible for determining the suitability of the product for his requirements and conditions of use. Stanhay Webb will in no event be liable for any incidental or consequential damages of any nature or source allegedly incurred through defects, incorrect operation, or loss of use of the product, whatsoever, nor for any sum in excess of the price received by the Company for the goods for which liability is claimed. The Company is not responsible for the performance of its products: it is the purchaser's sole responsibility to ensure that any Stanhay Webb product is performing to his satisfaction at all times, and this responsibility overrides absolutely any suggestions or assistance offered in good faith by the Company or its agents.
2. Stanhay Webb operates a policy of continuous improvement, and reserves the right to change specifications at any time without prior notice, and without incurring any obligations to make such changes to products previously purchased.

LIMITED WARRANTY

3. Stanhay Webb Ltd warrants to its authorised Distributor or Dealer all new products supplied of its manufacture, when correctly assembled, operated and serviced, to be free from defects in material and workmanship, for a period of nine (9) months (the warranty period) after the date of delivery by the Distributor or Dealer to the original retail purchaser. Its obligations under this Warranty are limited to making good on products for which payment to the Company is not overdue any part or parts (excluding normal wear) of its own manufacture which shall have been reported in writing to the Company within thirty (30) days from date of failure thereof, and which the Company's examination shall disclose to its satisfaction to have been defective. Stanhay Webb repair parts are warranted similarly to ninety (90) days from date of replacement or for the unexpired warranty period of the applicable Stanhay Webb machine, whichever is the longer.
4. Due to the particular nature of Stanhay Webb products, this Warranty is void absolutely if any part not supplied by the Company is used in assembly or repair, or if the product has been altered, assembled, repaired or used in any way, configuration or conditions differing from the written recommendations and instructions of the Company (whose decision is final).
5. In the event of components supplied by Stanhay Webb not of its own manufacture for which payment to the Company is not overdue being reported in writing as defective during the warranty period, Stanhay Webb will endeavour to claim against the manufacturer of such components and in the event of any claim being successful will pass the benefit on to the customer.

CONDITIONS OF SUPPLY

6. No warranties other than those expressly noted herein are given, and no one is authorized to alter, modify or enlarge this Warranty beyond the warranties expressed.
7. This product is supplied subject to the Terms of Trading of Stanhay Webb Ltd as reproduced on the inside covers of the Company's price list.

NOTE: WARRANTY REGISTRATION FORM MUST BE RETURNED TO STANHAY WEBB LIMITED. WARRANTY VOID IF MACHINE IS NOT REGISTERED.

PRECISION DRILL WARRANTY REGISTRATION FORM

Demonstration Installation Date

Conducted by (name)..... (dealer).....
 for (grower's name)..... (address).....

 (contact) (tel no.)

Conducted at (location)..... In barn/yard/field

Machine Model No:	Serial No:	No of rows:
Crop type:	Area drilled:	
Chosen disc:	selector wheel:	..
seedbelt:	gear setting:

ACKNOWLEDGEMENT BY PURCHASER

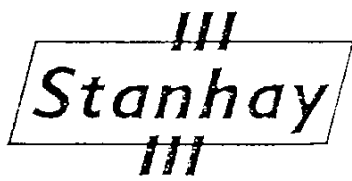
This acknowledgement is to be completed for every new drill to validate warranty.

1. The following checks and settings have been explained to me:

<u>All drills</u>		<u>As appropriate</u>	
Row spacing	<input type="checkbox"/>	Pivots and limiters	<input type="checkbox"/>
Setting charts	<input type="checkbox"/>	Transport system	<input type="checkbox"/>
Metering units	<input type="checkbox"/>	Bout markers	<input type="checkbox"/>
Drive system	<input type="checkbox"/>	Clod deflectors	<input type="checkbox"/>
Toolbar height	<input type="checkbox"/>	Seedpress wheels	<input type="checkbox"/>
Tractor top link	<input type="checkbox"/>	Power take off	<input type="checkbox"/>
Drilling depth	<input type="checkbox"/>	Fan	<input type="checkbox"/>
Field checks	<input type="checkbox"/>	Gauges	<input type="checkbox"/>
Maintenance	<input type="checkbox"/>		

2. I acknowledge that the Stanhay Webb Warranty Policy applies to this drill and in particular I acknowledge that I (not Stanhay or my dealer) am responsible for ensuring that it is performing to my satisfaction.

Signed:
 Date:



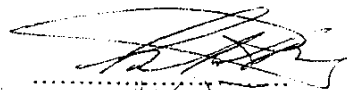
Stanhay Webb Limited
 Houghton Road, Grantham, Lincs, NG31 6JE
 Tel: 01476 515406 Fax:01476 515407

THANK YOU FOR YOUR CO-OPERATION

(After completion, this form to be retained by the selling dealer, and copied to Stanhay.)

EC DECLARATION OF CONFORMITY

Type of Machine: Precision Seed Planting Machine
Name of model : Stanhay S870
Serial Number : Number of rows:
Manufacturer : Stanhay Webb Limited
Houghton Road,
Grantham,
Lincs, NG31 6JE,
England.
Tel: +44(0) 1476 515406
Fax: +44(0) 1476 515407



Technical Manager

We, the manufacturers, hereby declare that this machine, when assembled to our design, conforms with the Essential Health and Safety Requirements of the European Union.

Wij, de fabrikanten, verklaren hierbij dat deze uitrusting, indien opgebouwd volgens ons ontwerp, voldoet aan de gezondheids- en veiligheidsvoorschriften van de Europese Unie.

Assemblé conformément à nos ordres, nous, les fabricants, déclarons que cette machine répond aux normes d'Hygiène et Sécurité au Travail de la CE.

Noi, I fabbricanti, dichiariamo che questo maccinario, quando montato secondo il nostro disegno, si conforma ai requisiti essenziali di salute e di sicurezza della Comunità Europea.

Wenn diese Maschine entsprechend unserer Konstruktion zusammengesetzt wird, erklären wir, daß sie den Arbeitsschutzvorschriften der Europäischen Gemeinschaft entspricht.

Nosotros los fabricantes declaramos que este equipo, realizando el montaje según nuestro diseño, se ajusta a las reglas esenciales de salud y seguridad de la Union Europea.

Vi, fabrikanten, erklærer hermed at denne maskine, når den er monteret ifølge vores konstruktion, er i overensstemmelse med de essentielle sundhed og sikkerhedskrav indefor EU.

Me valmistajana iloitamme täten, että ohjeittemme mukaisesti asennettuna tämä kone täyttää Euroopan Unionin olennaiset terveys- ja turvallisuusvaatimukset.

Nós os fabricantes declaramos que este equipamento, quando montado conforme nosso desenho, ajusta-se às regras essenciais de saúde e segurança da Comunidade Europeia.

Tillverkaren försäkrar härmed att denna maskin, efter sammansättning enligt vår konstruktion, uppfyller hälsooch säkerhetskrav inom EU.