

**Stanhay
Robin**

820-830-840

IMPORTANT NOTICE TO OPERATORS

YOU are the person responsible for the SAFE and SUCCESSFUL operation of this machine. You MUST:

- READ this "users" guide carefully.
- UNDERSTAND the guide BEFORE using the machine.
- FOLLOW the instructions in the guide about:
 - PREPARATION FOR WORK
 - OPERATION
 - SAFETY
 - MAINTENANCE
 - REPAIR
- USE YOUR COMMON SENSE if this machine does not conform to descriptions in the guide.
- CHECK periodically that THE PERFORMANCE YOU EXPECT IS BEING ACHIEVED. In adverse conditions you should check performance more frequently.
- IF EXPECTED PERFORMANCE IS NOT BEING ACHIEVED, it is your responsibility to STOP USING THE MACHINE. The suppliers of this machine cannot be held responsible.
- SEEK HELP on mechanical problems from your Stanhay Webb dealer.

SAFETY

1. When transporting the machine on public roads, it is the responsibility of the operator to ensure prevailing Road Traffic Regulations are strictly adhered to.
2. The machine is designed for one man operation and, to comply with Safety Regulations, the operator must be in the tractor cab when the machine is in motion.

RECORD DETAILS OF YOUR MACHINE HERE

Model : Stanhay Robin
Serial Number :
Date Purchased :
Supplier :

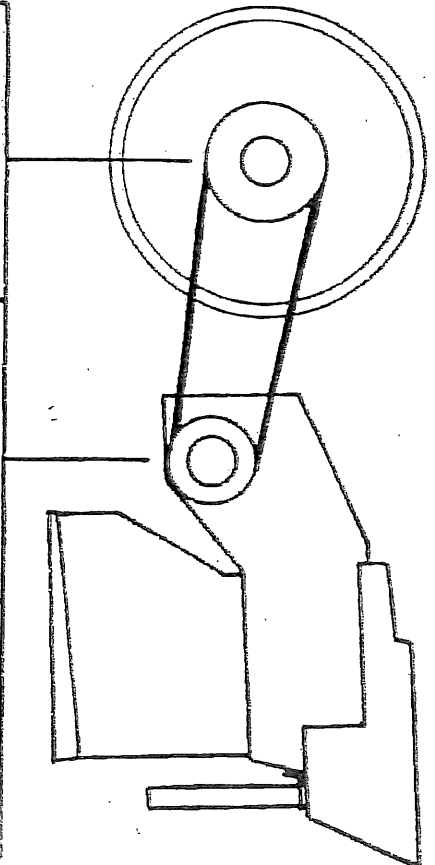
ALL ENQUIRIES

STANHAY WEBB LIMITED
EXNING
NEWMARKET
SUFFOLK CB8 7HD
ENGLAND.

Telephone: +44 (0)1638 577 206
Fax : +44 (0)1638 578 359

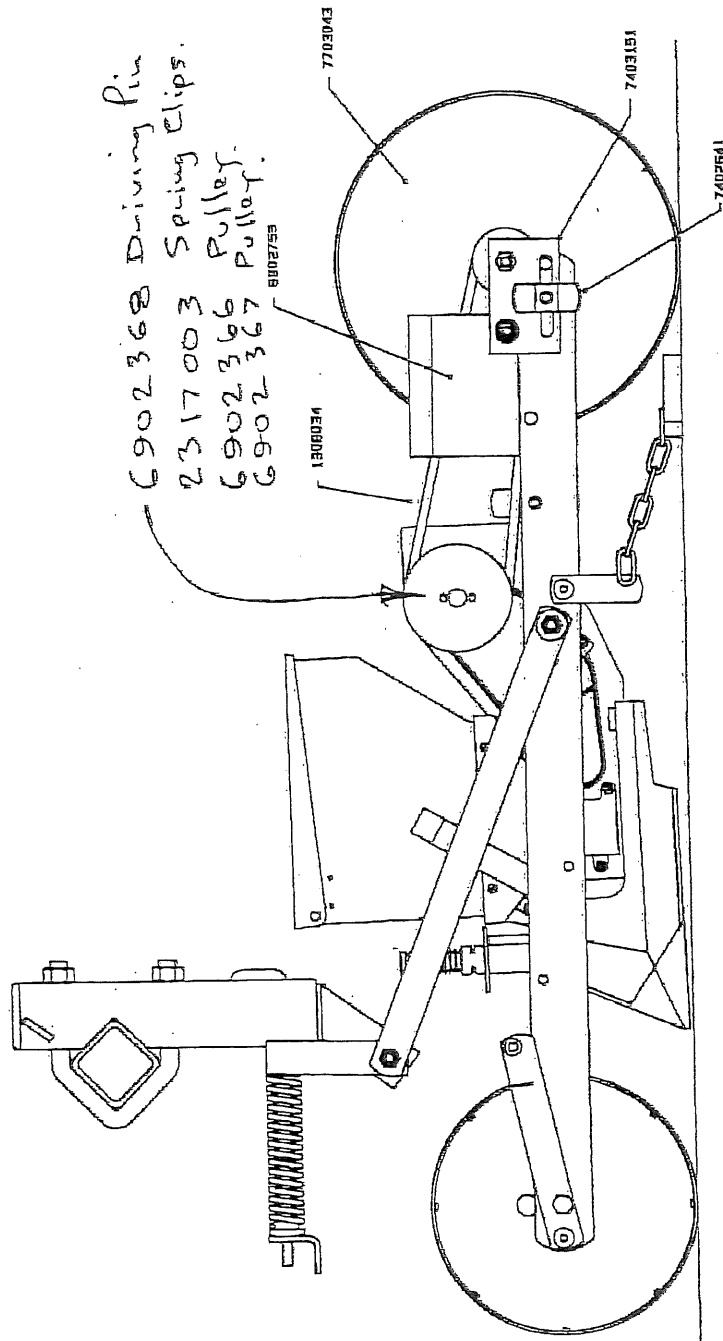
Robin 840

DRIVE	UNIT	WHEEL
A L	PULLEY SMALL	PULLEY LARGE
B L	LARGE	LARGE
C L	SMALL	SMALL
D L	LARGE	SMALL



Holes in Belt	Seed Spacing (mms)				DL
	AL	BL	CL	DL	
144	16	20	24	24	J2
120	19	24	29	29	J8
112	20	25	31	31	41
96	24	30	36	36	47
90	25	32	38	38	51
72	32	40	48	48	64
60	30	48	57	57	76
56	41	51	61	61	82
48	48	60	71	71	95
45	51	64	76	76	102
40	57	71	86	86	114
36	64	79	95	95	127
32	71	89	107	107	143
30	76	95	114	114	152
28	81	102	123	123	163
24	95	119	143	143	191
20	114	143	171	171	229
18	127	159	191	191	254
16	142	178	214	214	286
15	152	191	229	229	305
14	163	203	245	245	327
12	191	238	286	286	361
10	229	286	343	343	457
9	254	318	381	381	508
8	286	357	429	429	571
6	381	476	571	571	762
5	457	571	686	686	914
4	569	711	857	857	1143
1 Rev.	2286	2857	3429	3429	4572

8541001 Row Unit - Complete
 7703045 Chassis Only.
 7703481 Motoring Unit Only

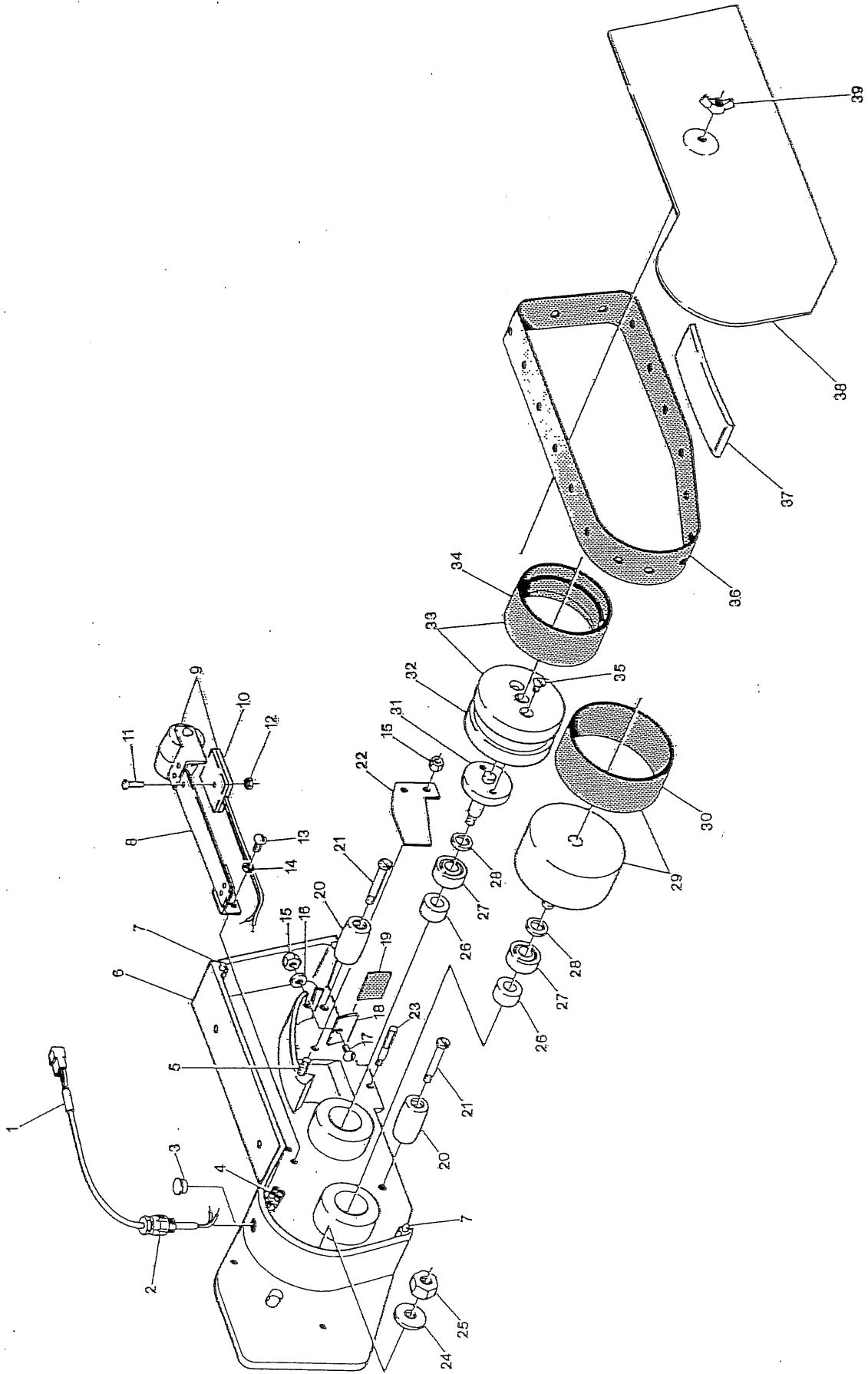


STANHAY 840



C O N T E N T S

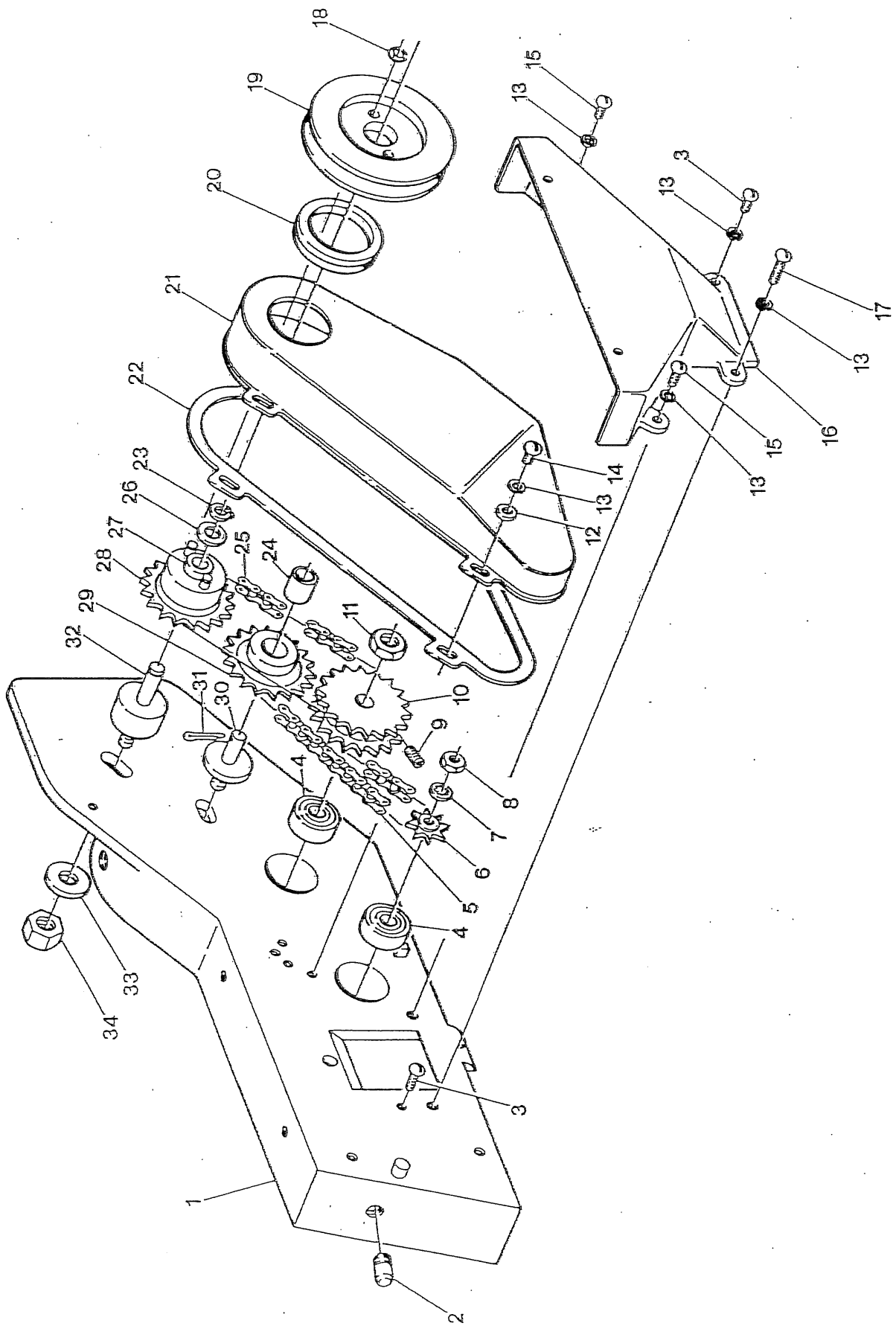
	<u>Page</u>
Metering Unit - Seed Belt Side	3
- Drive Side	5
Seed Hopper	7
Seed Hopper Extension	9
Agitator	9
Robin 840 Chassis	11
Robin 830 Chassis	13
Robin 820 Handpush	15
Coulters	17
Robin 840 A-Frame & Toolbar	19
Parking Stand	21
Manual Markers	23
Stanhay Kits	24
General Warranty Policy	25



ROBIN 820, 830, 840
METERING UNIT - SEED BELT SIDE

Item No:	Part No:	Description:
1	5201040	Indicator Lead
2	5205004	Indicator Lead Gland
3	6402001	Protection Plug - above seed chamber flange
	6402031	Protection Plug - rear body flange - non electric drills only
4	5209051	Two way Connector
5	7000002	Seeder Body Stud
6	7702404	Seeder Body
7	7000003	Seeder Body Dowel
8	7702475	Belt Tensioner
9	7702476	Belt Tensioner & Reed Switch Assembly
10	5208050	Reed Switch c/w Items 11 & 12
11	2335046	M3 x 12 Slotted Pan Head Screw
12	2303003	M3 Hexagon Nut
13	2318329	3/16 BSW x $\frac{3}{8}$ in. Round Head Screw
14	2311213	M6 Spring Washer
15	2301015	3/16 BSW Hexagon Nut
16	2311132	M5 Flat Washer - large diameter
17	2318331	3/16 BSW x $\frac{1}{2}$ in. Round Head Screw
18	6902110	Rubber Flap Clamp
19	6900011	Rubber Flap
20	* 2810180	Fixed Roller - 8 Bore
21	* 6902222	Fixed Roller Pin - 8 diameter
22	6900040	A-Choke
	6900041	B-Choke
	6900042	C-Choke
	6900043	P-Choke
	6900044	T-Choke
	6900045	X-Choke
23	6902238	Spring Base Pin (Hexagon)
24	2311090	M10 Flat Washer
25	2301018	$\frac{3}{8}$ BSW Hexagon Nut
26	6900016	Bearing Spacer
27	1901045	Ball Bearing
28	3220002	Spacing Shim - 0.13mm
	3220003	Spacing Shim - 0.25mm
29	7700006	Belt Wheel and Tyre - Item 30
30	2820001	Belt Wheel Tyre
31	6902067	Repeller Spindle
32	2810174	Plastic Repeller Wheel
	3000432	Aluminium Repeller Wheel
33	7702102	Standard (Black) Repeller Assembly
	7702453	Polymer (Brown) Repeller Assembly
	7702629	Naked Veg. (Red) Repeller Assembly
34	2820002	Standard (Black) Tyre
	2830033	Polymer (Brown) Tyre
	2830036	Naked Veg. (Red) Tyre
35	2333102	M5 x 8 Countersunk Head Screw
36		Seed Belt - State type required
37		Spring Base - State type required
38	7400002	Body Cover Plate
39	2301437	$\frac{1}{4}$ BSW Wing Nut

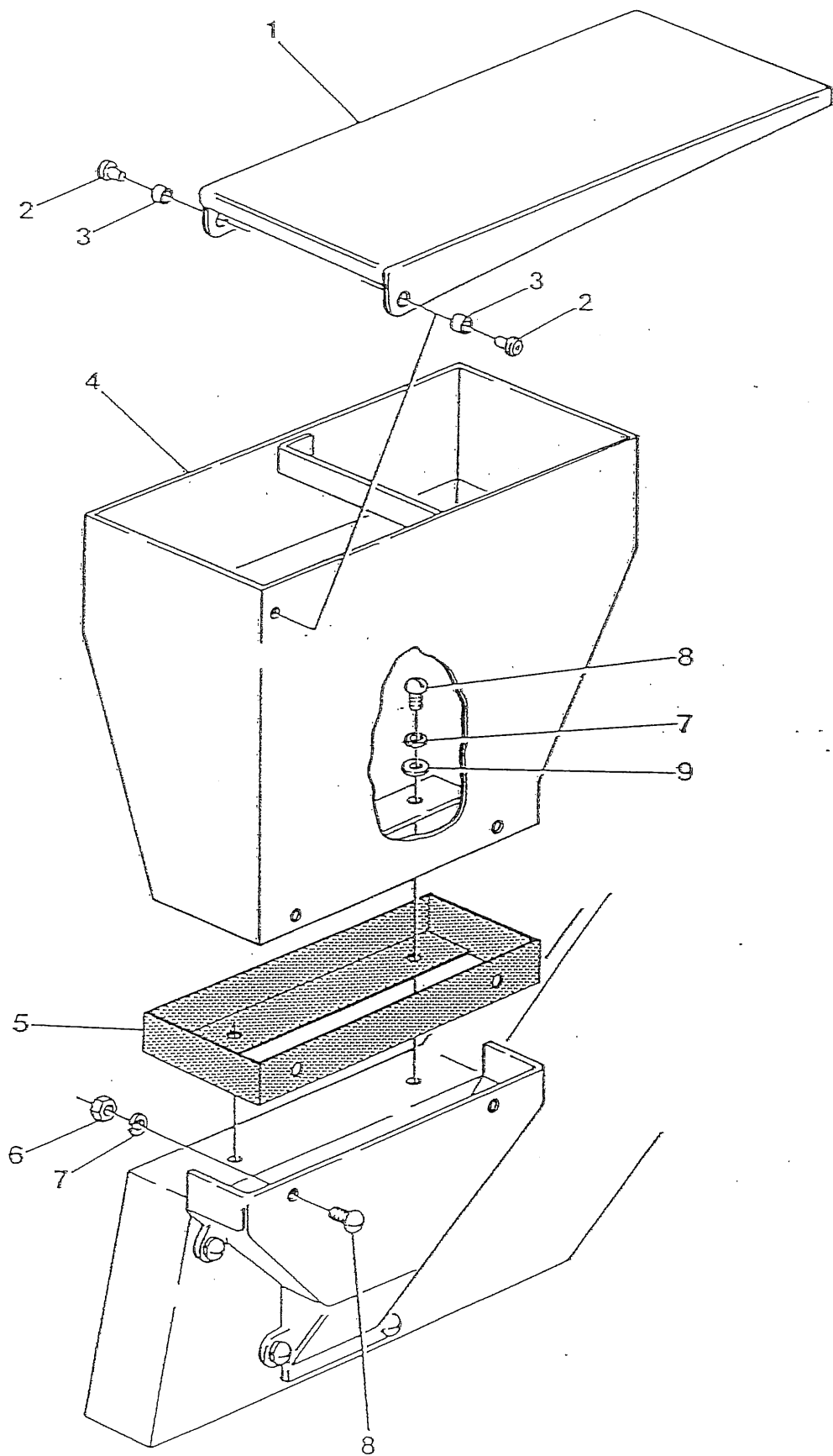
NOTE: ignore 3000434 Cast on body rear back plate



ROBIN 820, 830, 840

METERING UNIT - DRIVE SIDE

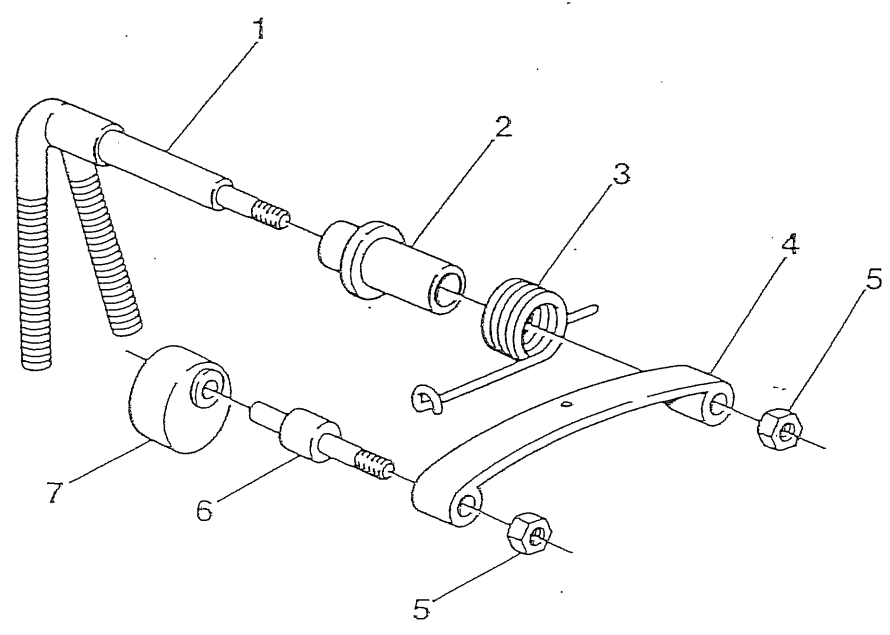
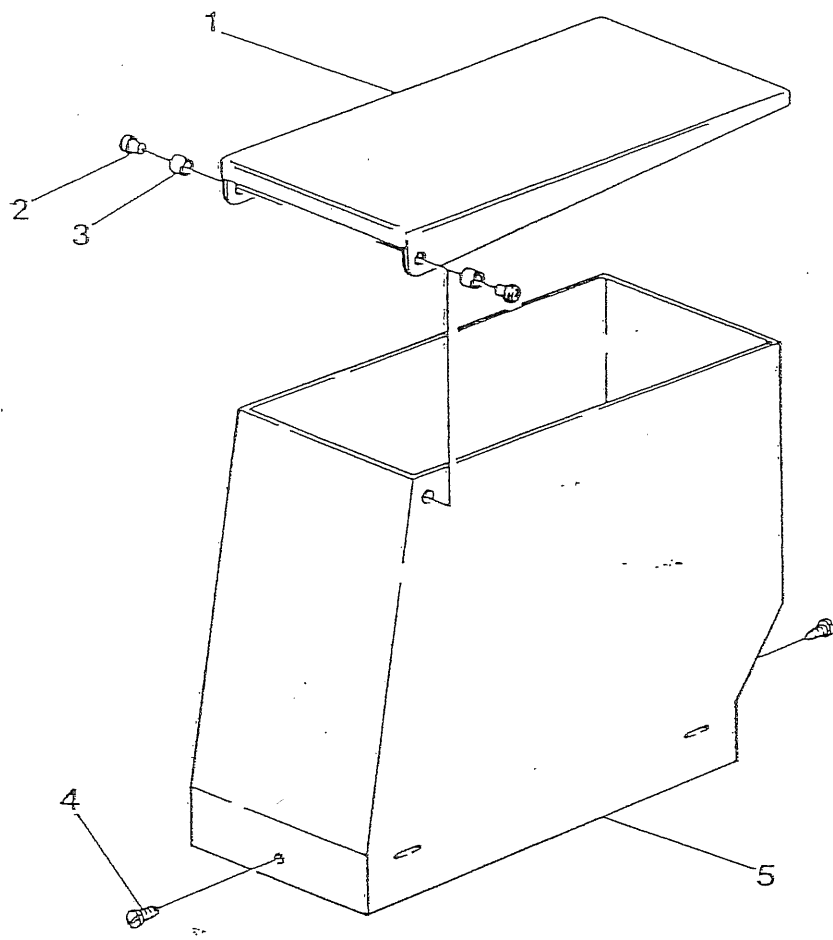
Item No:	Part No:	Description:
1	7702404	Seeder Body
2	7000004	Coulter Peg
3	2318331	3/16 BSW x 1/2 in. Round Head Screw
4	1901045	Ball Bearing
5	1801002	Chain - 48 pitches
6	1701014	Repeller Sprocket
7	2310506	1/4 Shakeproof Washer
8	2301161	1/4 BSF Hexagon Locknut
9	2260135	3/16 BSW x 5/16 in. Socket Set Screw
10	7700004	Belt Wheel Sprocket c/w Item 9
11	2301163	3/8 BSF Hexagon Locknut
12	2310111	2BA Flat Washer
13	2311213	M5 Spring Washer
14	2318329	3/16 BSW x 3/8 in. Round Head Screw
15	2318330	3/16 BSW x 7/16 in. Round Head Screw
16	3000027	Seeder Chute
17	2318334	3/16 BSW x 3/4 in. Round Head Screw
18	2317003	Springfix Clip
19	6902366	Unit Pulley - 97 diameter
	6902367	Unit Pulley - 76 diameter 7400001
20	4001001	V-ring Seal
21	3210008	Chaincase
22	3900001	Chaincase Gasket
23	2216046	Circlip
24	2001005	Oilite Bearing
25	1801001	Chain - 46 pitches
26	3220001	Spindle Shim
27	2001009	Oilite Bearing
28	7702665	Driving Sprocket c/w Item 27
29	7702100	Idler Sprocket c/w Item 24
30	6900006	Idler Sprocket Spindle
31	2214057	3/32 x 3/4 in. Split Pin
32	6900013	Driving Sprocket Spindle
33	2311090	M10 Flat Washer
34	2303008	M10 Hexagon Nut



ROBIN 820, 830, 840

SEED HOPPER

Item No:	Part No:	Description:
1	6900017	Hopper Lid 8002644
2	2212563	Pop Rivet
3	6900018	Hinge Spacer
4	7400003	Hopper - without monitor fixing
	7400015	Hopper - with monitor fixing
5	2820003	Chute Seal
6	2301015	3/16 BSW Hexagon Nut
7	2311213	M5 Spring Washer
8	2318331	3/16 BSW x 1/2 in. Round Head Screw
9	2311132	M5 Flat Washer - large diameter



ROBIN 820, 830, 840

SEED HOPPER EXTENSION

Item No:	Part No:	Description:
1	6900017	Hopper Lid
2	2212563	Pop Rivet
3	6900018	Hinge Spacer
4	2385052	No.8 x 8 Pan Head Self Tapping Screw
5	7400148	Hopper Extension

ASSEMBLY

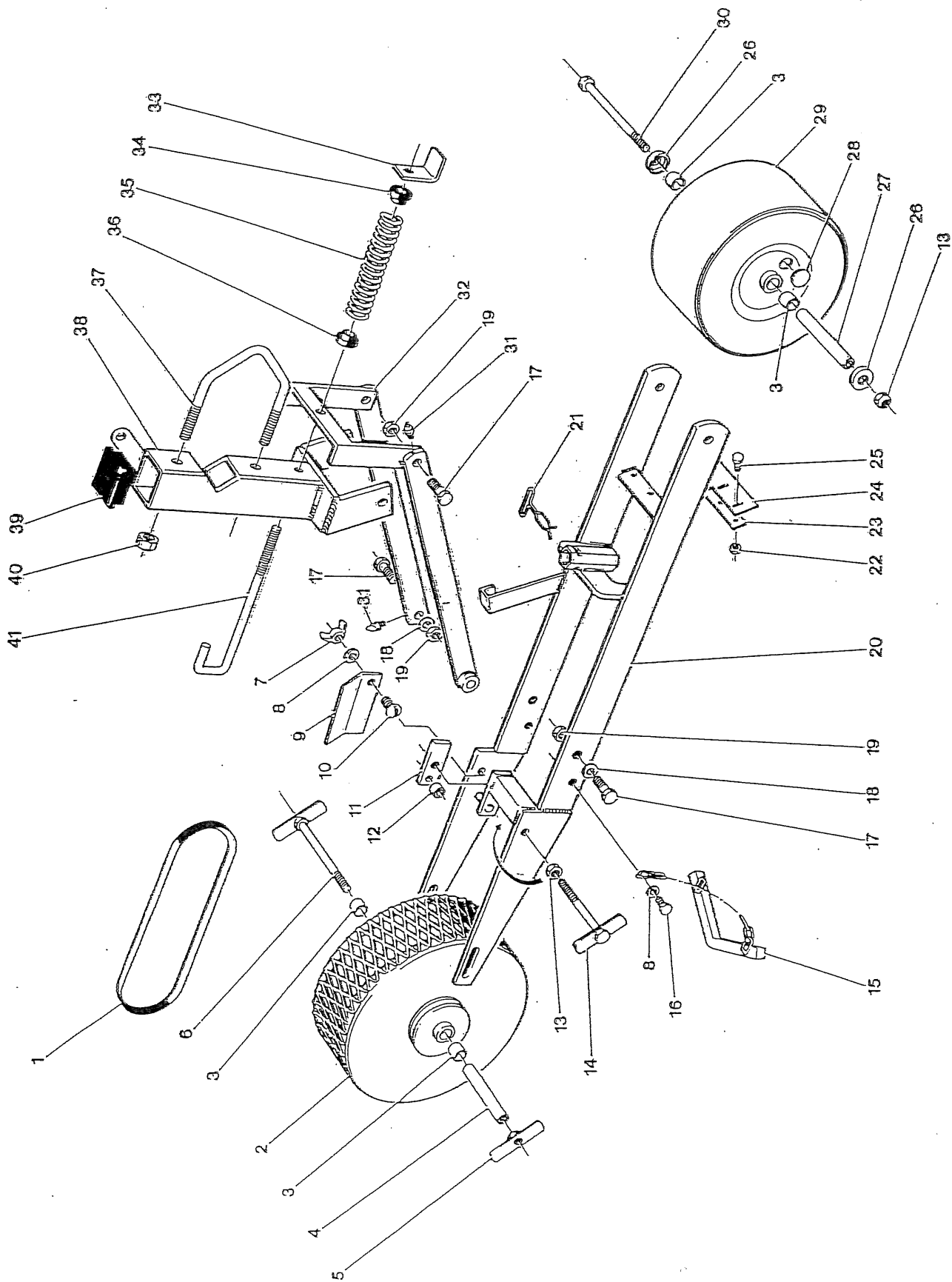
7701028	Seed Hopper Extension
---------	-----------------------

AGITATOR

Item No:	Part No:	Description
1	7701097	Agitator
2	6900023	Agitator Bush
3	2703001	Agitator Torsion Spring
4	6900025	Agitator Arm
5	2301014	$\frac{1}{8}$ BSW Hexagon Nut
6	6900024	Agitator Eccentric Spindle
7	2810010	Agitator Eccentric

KIT

8000007	Agitator Kit
---------	--------------

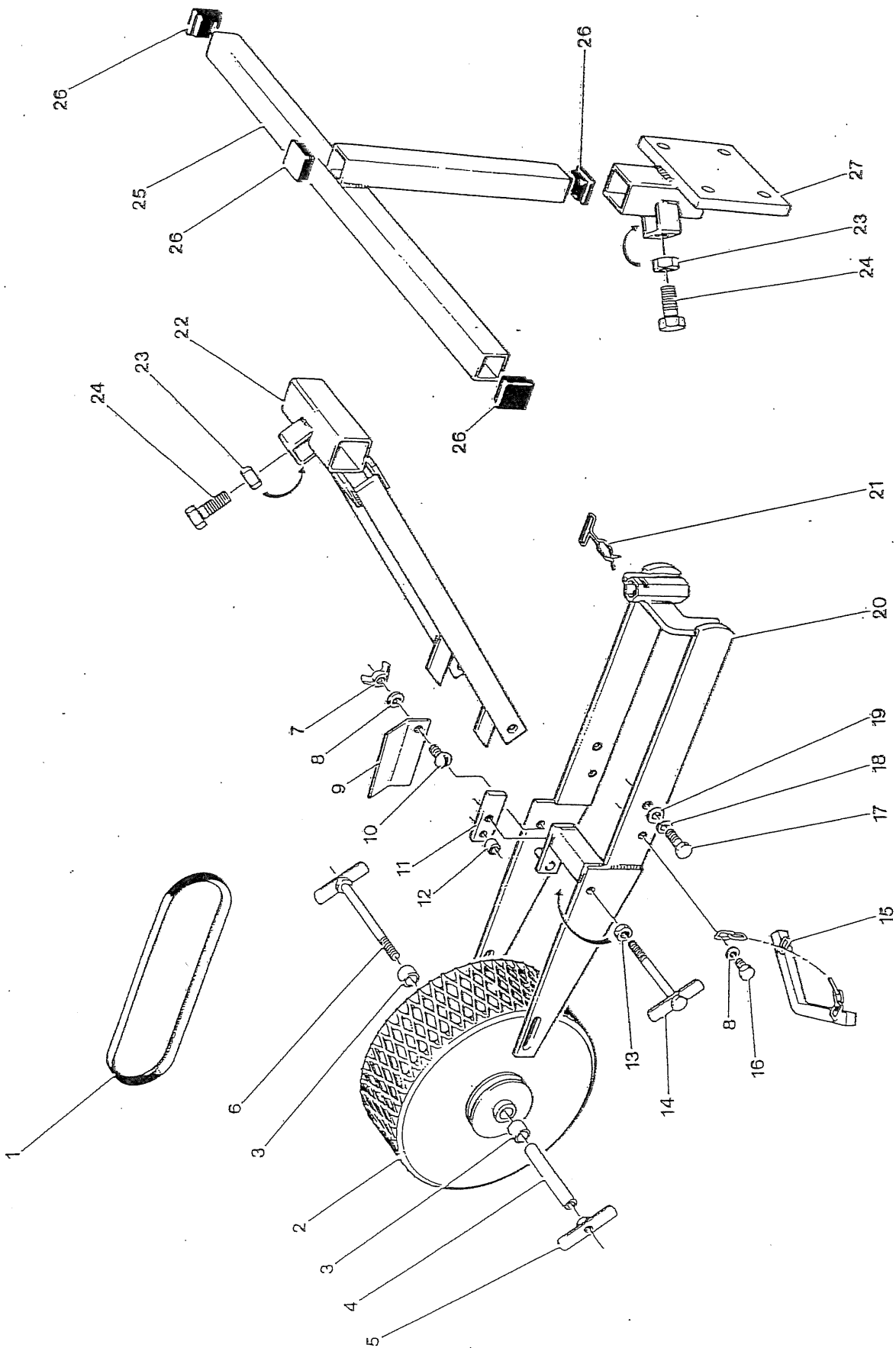


ROBIN 840 CHASSIS

Item No:	Part No:	Description:
1	1308034	V-Belt
2	7702414	Rear Wheel c/w Item 3
3	2001002	Oilite Bearing
4	6902039	Wheel Hub Spacer
5	7402641	Clamp Nut
6	7402640	Rear Wheel Clamp
7	2303165	M8 Wing Nut
8	2311089	M8 Flat Washer
9	6902493	Belt Guard
10	2390052	M8 x 16 Roofing Bolt
11	6902365	Unit Clamp
12	7000022	Seeder Clamp Spacer
13	2303008	M10 Hexagon Nut
14	7402639	Clamp Handle
15	7400119	Coverer
16	2307072	5/16 BSW x 1/2 in. Hexagon Head Screw
17	2304642	3/8 BSF x 1 3/8 in. Hexagon Head Bolt
18	2311090	M10 Flat Washer
19	2301163	3/8 BSF Hexagon Locknut
20	7402643	Seeder Chassis
21	2705001	Coulter Clip
22	2303006	M6 Hexagon Nut
23	2311133	M6 Flat Washer - large diameter...
24	6902538	Wheel Scraper
25	2309033	M6 x 16 Hexagon Head Screw
26	3210032	Dust Cap
27	6902016	Wheel Spacer
28	2830001	Rubber Bung
29	7700027	120mm Wide Wheel c/w Items 3 & 28
30	2306082	M10 x 160 Hexagon Head Bolt
31	6401004	1/4 Straight Greaser - drive fit
32	7700145	Chassis Arms c/w Item 31
33	7000087	Spring Tensioner
34	2810068	Spring End Collar
35	2701006	Chassis Arm Spring
36	2810067	Spring Guide Collar
37	7001093	U-Bolt
38	7400121	Attachment Stem
39	6402015	Plastic Plug
40	2303010	M16 Hexagon Nut
41	7000086	Chassis Spring Rod

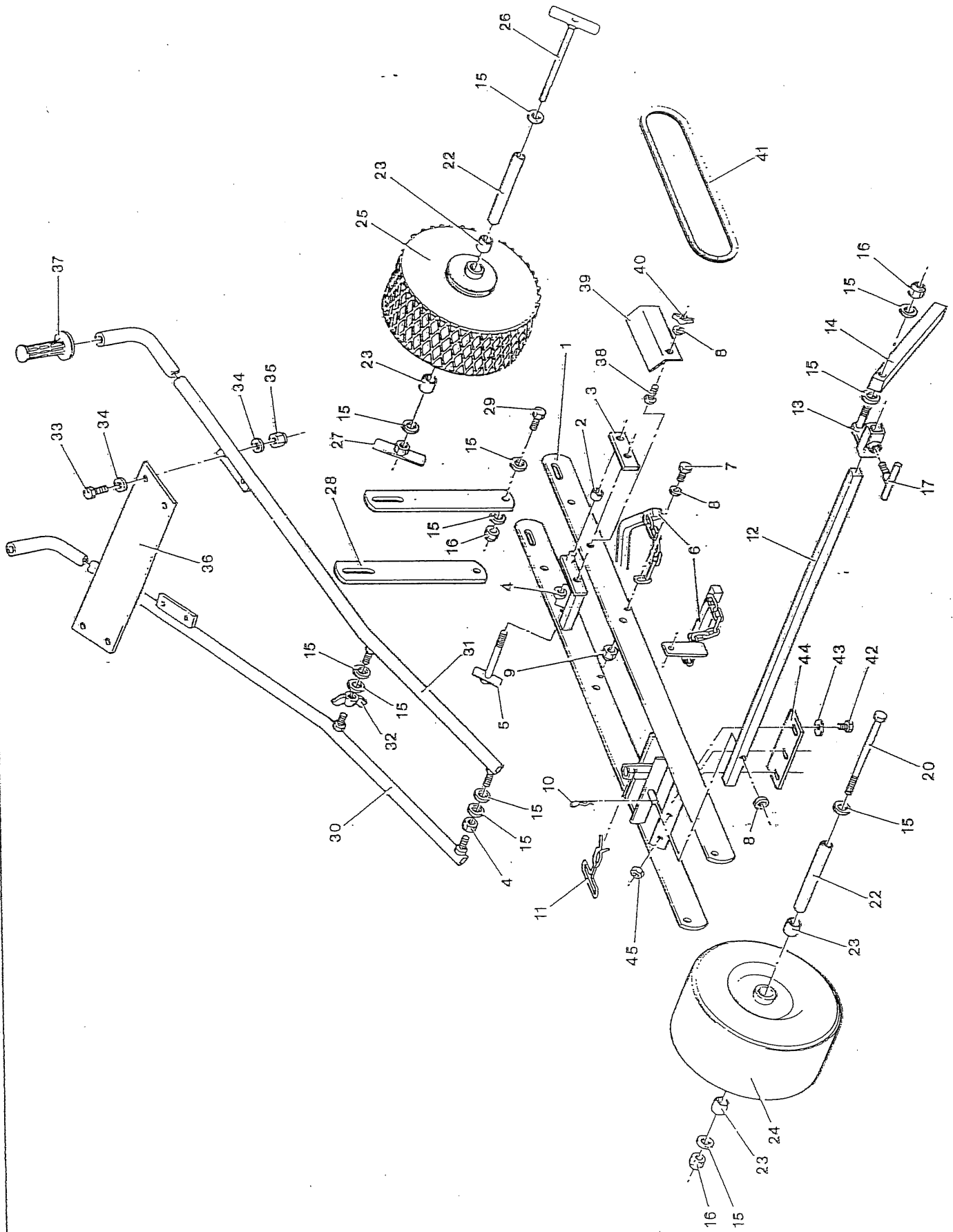
ASSEMBLY

7702391 Chassis - complete assembly



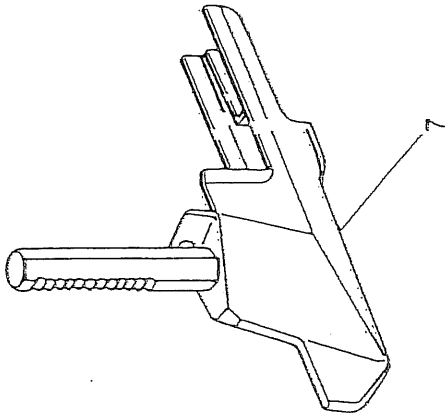
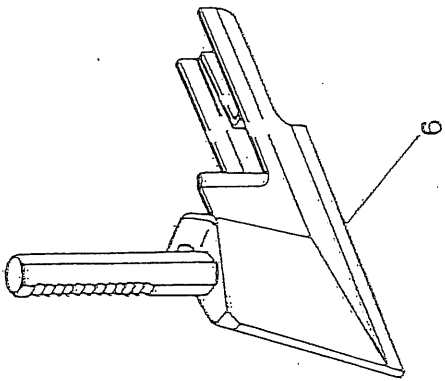
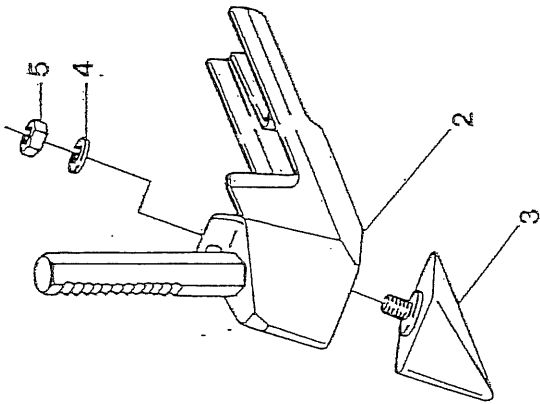
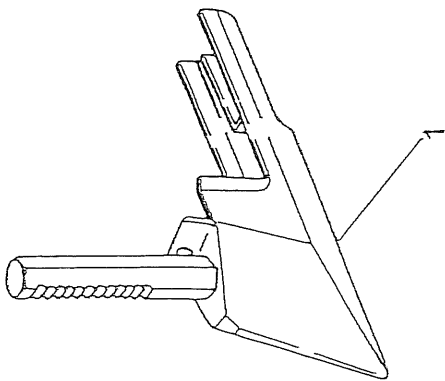
ROBIN 830 CHASSIS

Item No:	Part No:	Description:
1	1308034	V-Belt
2	7702414	Rear Wheel c/w Item 3
3	2001002	Oilite Bearing
4	6902039	Wheel Hub Spacer
5	7402641	Clamp Nut
6	7402640	Rear Wheel Clamp
7	2303165	M8 Wing Nut
8	2311089	M8 Flat Washer
9	6902493	Belt Guard
10	2390052	M8 x 16 Roofing Bolt
11	6902365	Unit Clamp
12	7000022	Seeder Clamp Spacer
13	2303008	M10 Hexagon Nut
14	7402639	Clamp Handle
15	7400119	Coverer
16	2307072	5/16 BSW x 1/2 in Hexagon Head Screw
17	2309077	M12 x 25 Hexagon Head Screw
18	2311217	M12 Spring Washer
19	2311091	M12 Flat Washer
20	7402716	Seeder Chassis
21	2705001	Coulter Clip
22	7402715	Chassis Arm
23	2303010	M16 Hexagon Nut
24	2306128	M16 x 50 Hexagon Head Bolt
25	7402718	0.80M Toolbar
26	6402018	Plastic Plug
27	7402717	Toolbar Clamp

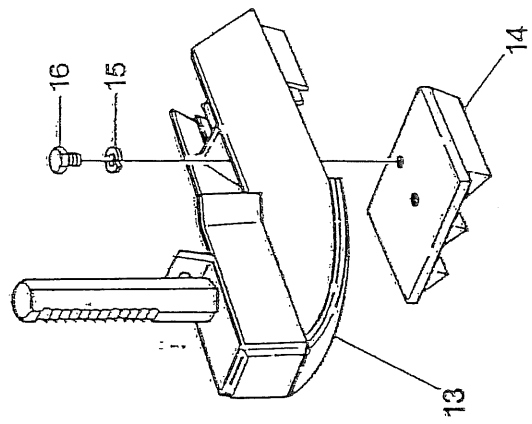
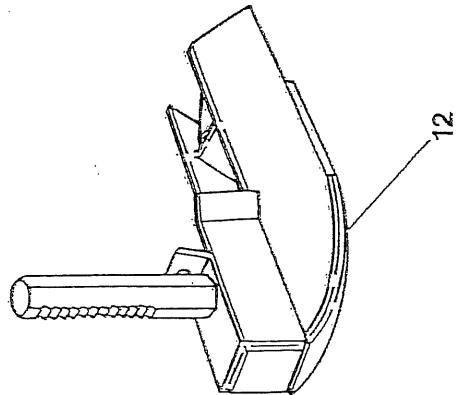
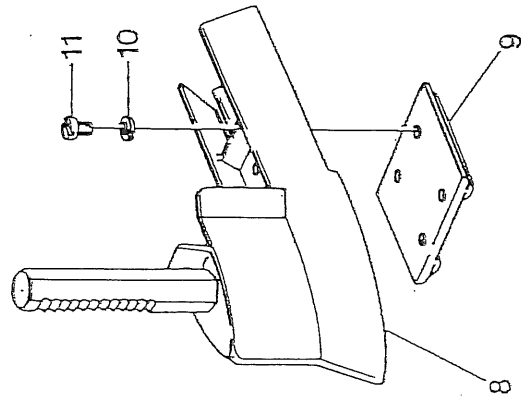


ROBIN 820 HANDPUSH

Item No:	Part No:	Description:
1	7402393	Chassis
2	7000022	Seeder Clamp Spacer
3	6902365	Unit Clamp
4	2303008	M10 Hexagon Nut
5	7402639	Clamp Handle
6	7400119	Coverer
7	2309047	M8 x 20 Hexagon Head Screw
8	2311089	M8 Flat Washer
9	2303092	M8 Nyloc Hexagon Nut
10	2316031	R-Clip
11	2705001	Coulter Clip
12	6902182	Marker Beam
13	7402397	Marker Pivot
14	6902183	Marker
15	2311090	M10 Flat Washer
16	2303109	M10 Nyloc Hexagon Nut
17	7402394	Clamp Screw
20	2306084	M10 x 180 Hexagon Head Bolt
22	6902039	Wheel Hub Spacer
23	2001002	Oilite Bearing
24	7702415	Front Wheel c/w Item 23
25	7702414	Rear Wheel c/w Item 23
26	7402640	Rear Wheel Clamp
27	7402641	Clamp Nut
28	6902180	Handle Stay
29	2309063	M10 x 30 Hexagon Screw
30	7402395	Handle R.H.
31	7402396	Handle L.H.
32	2303166	M10 Wing Nut
33	2309034	M6 x 20 Hexagon Head Screw
34	2311088	M6 Flat Washer
35	2303091	M6 Nyloc Hexagon Nut
36	6902181	Handle X-piece
37	6409003	Handle Grip
38	2390052	M8 x 16 Roofing Bolt
39	6902493	Belt Guard
40	2303165	M8 Wing Nut
41	1308034	V-Belt
42	2309033	M6 x 16 Hexagon Head Screw
43	2311133	M6 Flat Washer - Large Diameter
44	6902538	Wheel Scraper
45	2303006	M6 Hexagon Nut



Not available for Robin
machines



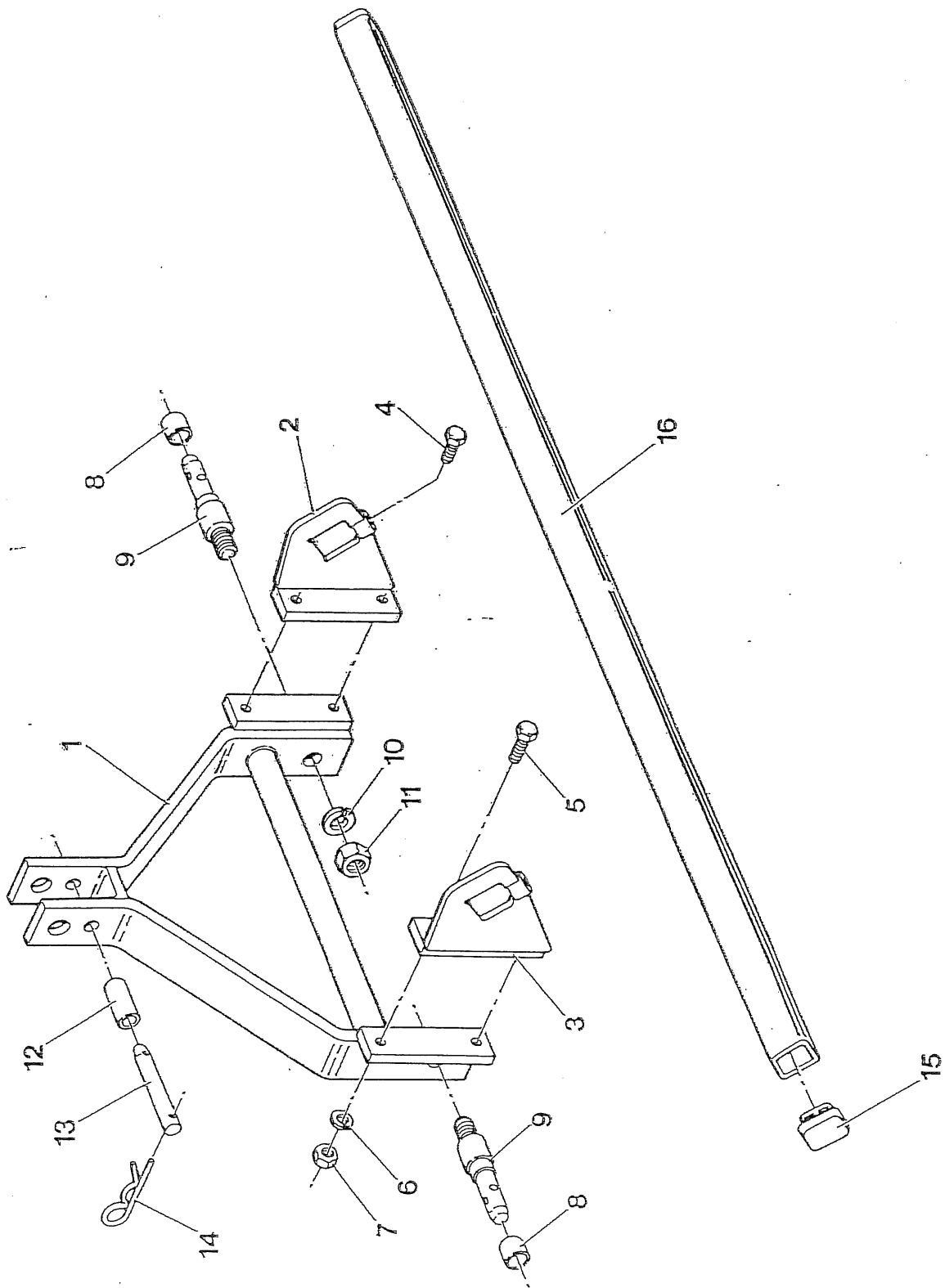
ROBIN 820, 830, 840

COULTERS

Item No:	Part No:	Description:
1	7400034	General Purpose Coultter - Steel
2	7702270	General Purpose Coultter - Ceramic
	7402318	Coultter - Ceramic - Body Only
3	8002157	Ceramic Tip c/w Items 4 & 5
4	2311090	M10 Flat Washer
5	2303008	M10 Hexagon Nut
6	7401059	Keeled Coultter - EXPORT
	7402628	Curved Nose Coultter (no rear fin)
8	7700042	25mm x 3 rib Coultter Assembly
	7700044	50mm x 2 rib Coultter Assembly
	7700046	38mm x 3 rib Coultter Assembly
	7700048	76mm x 2 rib Coultter Assembly
9	3000004	25mm x 3 rib Coultter Base
	3000006	50mm x 2 rib Coultter Base
	3000008	38mm x 3 rib Coultter Base
	3000010	76mm x 2 rib Coultter Base
10	2310401	$\frac{1}{4}$ Spring Washer
11	2319360	$\frac{1}{4}$ BSW x $\frac{1}{2}$ in. Cheese Head Screw
12	7402878	100mm Band Coultter
13	7702787	100mm x 3 rib Coultter Assembly
	7702788	100mm x 2 rib Coultter Assembly
14	6902574	100mm x 3 rib Coultter Base
	6902580	100mm x 2 rib Coultter Base
15	2311215	M8 Spring Washer
16	2309045	M8 x 12 Hexagon Head Screw

KITS

8002159	Ceramic Coultter (Box of 2)
8002158	Ceramic Coultter Tips (Box of 4)



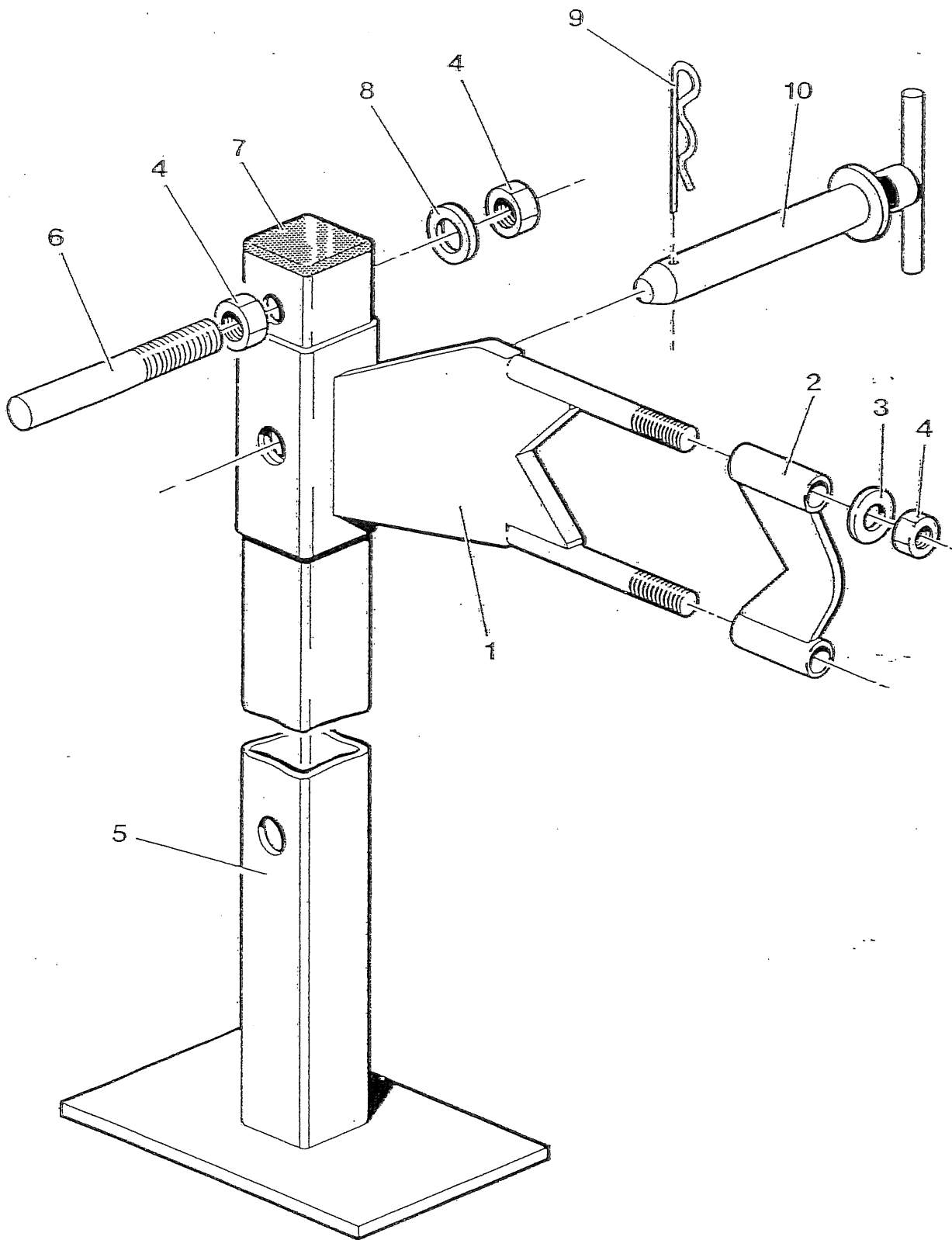
ROBIN 840

A-FRAME & TOOLBAR

Item No:	Part No:	Description:
1	7402370	A-Frame
2	7402371	Toolbar Clamp R.H.
3	7402372	Toolbar Clamp L.H.
4	2309094	M16 x 40 Hexagon Head Screw
5	2306127	M16 x 45 Hexagon Head Bolt
6	2311218	M16 Spring Washer
7	2303010	M16 Hexagon Nut
8	6900913	Bottom Link Sleeve
9	6900914	Bottom Link Pin
10	2310409	$\frac{7}{8}$ Spring Washer
11	2302013	$\frac{7}{8}$ UNC Hexagon Nut
12	6900916	Top Link Sleeve
13	6900912	Top Link Pin
14	2316033	R-Clip
15	6402015	Plastic Plug
16	7702352	Toolbar - 1.1m (3 ft. 7 in.)
	7701112	Toolbar - 2.3m (7 ft. 6 in.)

ASSEMBLY

7702358 A-Frame & Brackets Cat. 1 & 2
(Items 1-14)



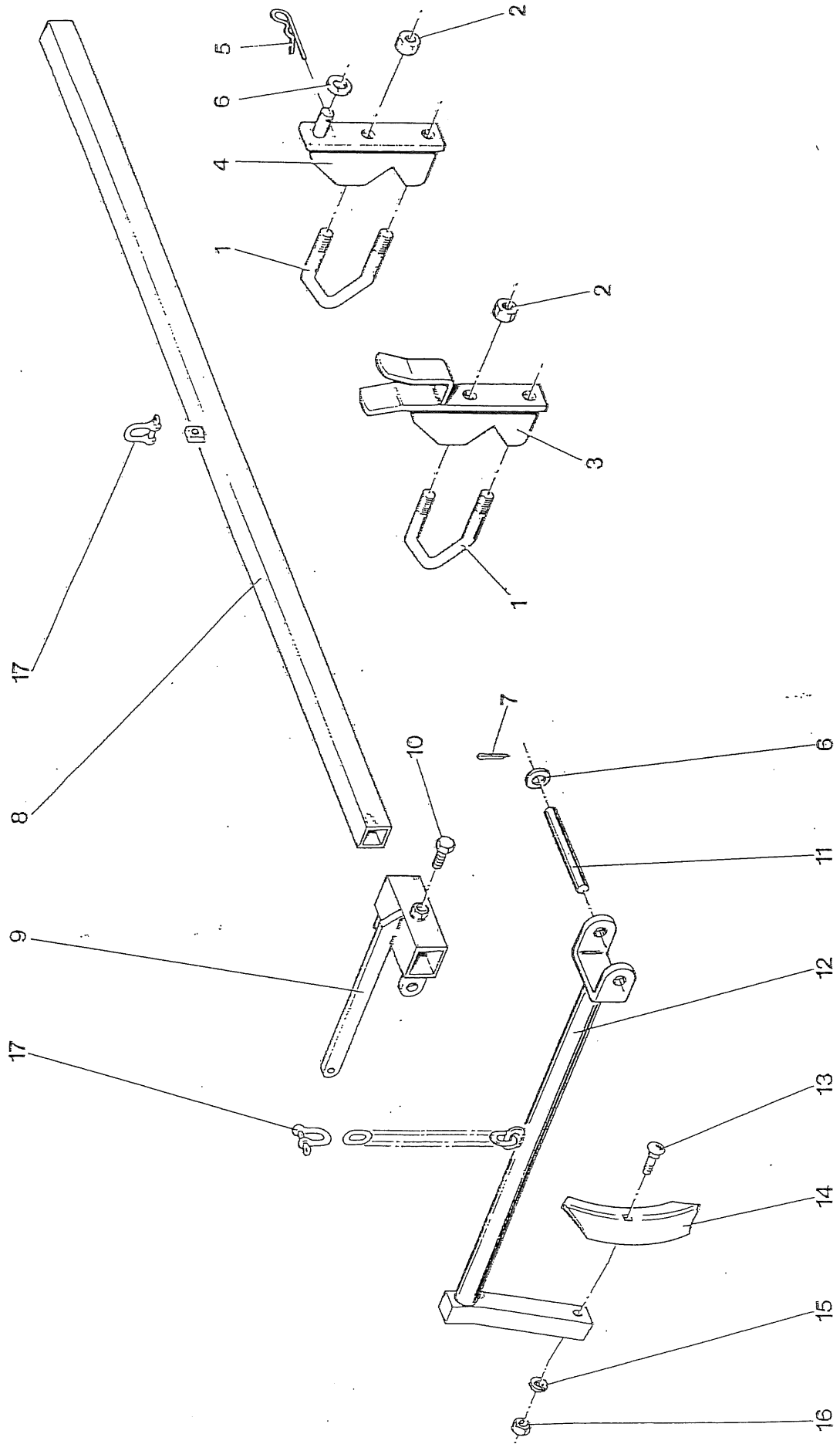
ROBIN 820, 830, 840

PARKING STAND

Item No:	Part No:	Description:
1	7402247	Parking Stand Bracket - Toolbar
2	7400709	Half Clamp
3	2311091	M12 Flat Washer
4	2303009	M12 Hexagon Nut
5	7402141	Parking Stand
6	6902100	Stand Handle
7	6402018	Plastic Plug
8	2311217	M12 Spring Washer
9	2316033	R-Clip
10	7402238	Support Pin

ASSEMBLY

7702095	Parking Stand - Toolbar
---------	-------------------------



ROBIN 820, 830, 840

MANUAL MARKERS

Item No:	Part No:	Description:
1	7002005	A-Frame U-Bolt
2	2303010	M16 Hexagon Nut
3	7402293	Marker Beam Guide
4	7402292	Marker Beam Hinge
5	2316033	R-Clip
6	2311092	M16 Flat Washer
7	2215611	5 x 25 Split Pin
8	7400825	1.37M Marker Beam
9	7400826	Marker Pivot
10	2309077	M12 x 25 Hexagon Head Screw
11	6900935	Pin
12	7400829	Marker Arm
13	2286001	Tine Bolt
14	6000002	Tine
15	2311216	M10 Spring Washer
16	2301018	$\frac{3}{8}$ BSW Hexagon Nut
17	6408002	$\frac{1}{4}$ D-Shackle
	6900985	Connecting Chain for 7400825 (Item 8)

ASSEMBLIES & KITS

7702230	Marker Beam Guide Assembly (Items 1-3)
7702229	Marker Beam Hinge Assembly (Items 1,2, 4-6)
7702183	Marker Arm & Pivot Assembly (Items 7, 9-17)
8002112	Pair of 1.37M Manual Markers



We'll help you grow

Stanhay Webb Limited

Exning, Newmarket, Suffolk, CB8 7HD, England

Tel: 0638 577206 Fax: 0638 578359

Telex: 817494

STANHAY MK.II KITS

FOR STANHAY S981 AND S870 PRECISION DRILLS

KIT NO. WHEEL KITS

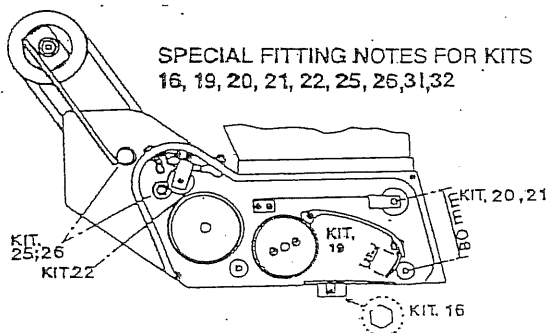
9	Wheel Bush Kit x 10	870	981
10	Rear Wheel Axle c/w bush x 3		981
11	Zero Pressure Front Axle c/w bush x 3		981
12	Front & Rear Axle c/w bush x 3	870	
13	Scraper c/w plate x 3	870	981

METERING UNIT AND CHASSIS KITS

14	Unit Bearing x 4	870	981
15	Drive Tyre x 3	870	981
16	Update Kit x 1	870	981
17	Repeller Tyre HP x 3	870	981
18	Repeller Tyre x 3	870	981
19	Rubber Flap Kit x 5	870	981
20	Belt Tensioner Electrical Type x 1	870	981
21	Belt Tensioner Non-electrical x 1	870	981
22	Indicator Assembly x 1	870	
23	Hopper Seal Kit x 3	870	981
24	Chain Case Seal Kit x 3	870	981
25	Drive Sprocket Kit x 1	870	981
26	Chain & Sprocket Kit x 1	870	981
27	Drive Shaft Bearing Kit x 1	870	981
28	Chassis Bolt Kit x 12	870	
31	Repeller Spindle Screw Type x 1	870	981
32	Repeller Wheel (Aluminium) x 1	870	981
33	Naked Vegetable Tyre (Red) x 3	870	981
34	Seeder Chute Kit x 1	870	981
35	Spring Rod Kit x 1	870	
36	Spring Rod Kit x 1		981

MULTI LINE BASE KITS

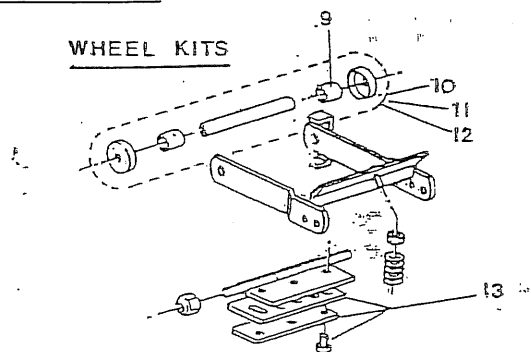
37	Coulter Base 100mm x 3 rib Kit x 1
38	Coulter Base 50mm x 2 rib Kit x 1
39	Coulter Base 76mm x 2 rib Kit x 1
40	Coulter Base 25mm x 3 rib Kit x 1
41	Coulter Base 38mm x 3 rib Kit x 1



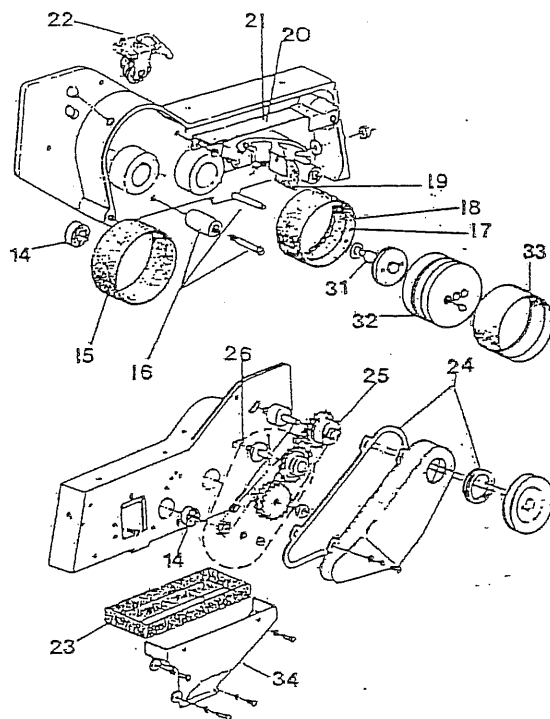
- KIT 16 as per diagram
- KIT 19 as per diagram 27 MM
- KIT 20-21 adjust to 80mm with seed belt removed
- KIT 22 adjust indicator wheel to .75mm clearance from drive wheel with seed belt removed
- KIT 25-26 chain adjuster nuts
- KIT 31-32 shim out Spindle so that the repeller wheel fits

STANHAY S981/S870

WHEEL KITS

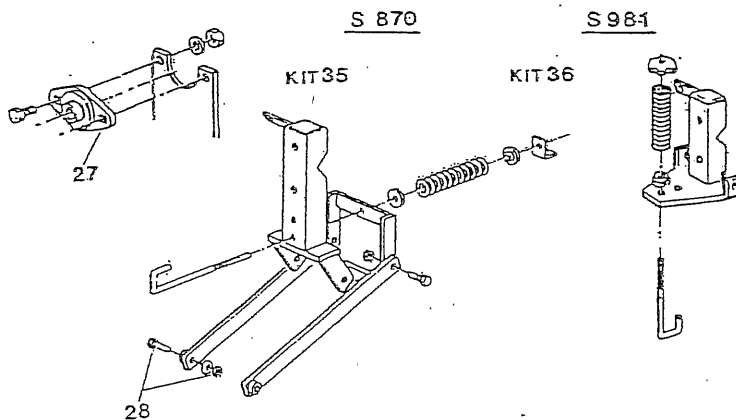


METERING UNIT KITS

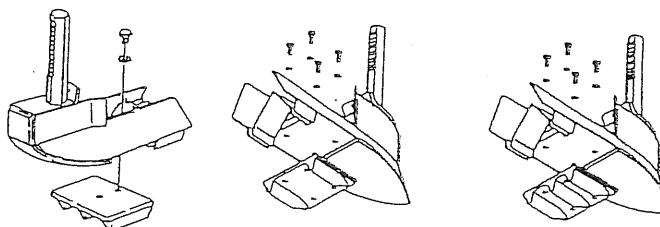


CHASSIS KITS

SPRING ROD KITS



MULTI LINE BASE KITS



STANHAY WEBB WARRANTY POLICY

1. Stanhay Webb Limited (the Company) warrants to its authorised Distributor or Dealer all new products supplied of its manufacture, when correctly assembled, operated and serviced, to be free from defects in material and workmanship, for a period of nine (9) months (the warranty period) after the date of delivery by the Distributor or Dealer to the original retail purchaser. Its obligations under this Warranty are limited to making good on products for which payment to the Company is not overdue any part or parts (excluding normal wear) of its own manufacture which shall have been reported in writing to the Company within thirty (30) days from date of failure thereof, and which the Company's examination shall disclose to its satisfaction to have been defective. Stanhay Webb repair parts are warranted similarly for ninety (90) days from date of replacement or for the unexpired warranty period of the applicable Stanhay Webb machine, whichever is the longer.
2. Due to the particular nature of Stanhay Webb products, this Warranty is void absolutely if any part not supplied by the Company is used in assembly or repair, or if the product has been altered, assembled, repaired, or used in any way, configuration or conditions differing from the written recommendations and instructions of the Company (whose decision is final).
3. In the event of components supplied by Stanhay Webb not of its own manufacture for which payment to the Company is not overdue being reported in writing as defective during the warranty period, Stanhay Webb will endeavour to claim against the manufacturer of such components and in the event of any claim being successful will pass the benefit on to the customer.
4. Stanhay Webb does not give any Warranty in respect of its products except the Warranty contained in paragraphs 1-3 above which is expressly in lieu of all other warranties or conditions expressed or implied and of all other obligations or liabilities on its part. Particularly this product is supplied on the express condition that the purchaser is solely responsible for determining the suitability of the product for his requirements and conditions of use. Stanhay Webb will in no event be liable for any incidental or consequential damages of any nature or source allegedly incurred through defects, incorrect operation or loss of use of the product, whatsoever, nor for any sum in excess of the price received by the Company for the goods for which liability is claimed. The Company is not responsible for the performance of its products: it is the purchaser's sole responsibility to ensure that any Stanhay Webb product is performing to his satisfaction at all times, and this responsibility overrides absolutely any suggestions or assistance offered in good faith by the Company or its agents.
5. Stanhay Webb operates a policy of continuous improvement, and reserves the right to change specifications at any time without prior notice, and without incurring any obligations to make such changes to products previously purchased.
6. This product is supplied subject to the Terms and Conditions of Sale of Stanhay Webb Ltd. and Stanhay Webb Export Ltd, a copy of which is obtainable from the Company on request.

EC DECLARATION OF CONFORMITY

Type of Machine: Precision Seed Planting Machine

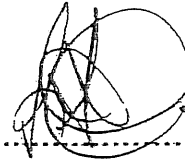
Name of model : Stanhay Robin 820/830/840

Serial Number : Number of rows:

Manufacturer : Stanhay Webb Ltd.
Exning, Newmarket
Suffolk CB8 7HD
England.

Tel : +44 (0)1638 577 206

Fax: +44 (0)1638 578 359



Technical Manager

We, the manufacturers, hereby declare that this machine, when assembled to our design, conforms with the Essential Health and Safety Requirements of the European Union.

Wij, de fabrikanten, verklaren hierbij dat deze uitrusting, indien opgebouwd volgens ons ontwerp, voldoet aan de gezondheids- en veiligheidsvoorschriften van de Europese Unie.

Assemblé conformément à nos ordres, nous, les fabricants, déclarons que cette machine répond aux normes d'Hygiène et Sécurité au Travail de la CE.

Noi, i fabbricanti, dichiariamo che questo maccinario, quando montato secondo il nostro disegno, si conforma ai requisiti essenziali di salute e di sicurezza della Comunità Europea.

Wenn diese Maschine entsprechend unserer Konstruktion zusammengesetzt wird, erklären wir, daß sie den Arbeitsschutzvorschriften der Europäischen Gemeinschaft entspricht.

Nosotros los fabricantes declaramos que este equipo, realizando el montaje según nuestro diseño, se ajusta a las reglas esenciales de salud y seguridad de la Unión Europea.

Vi, fabrikanten, erklærer hermed at denne maskine, når den er monteret ifølge vores konstruktion, er i overensstemmelse med de essentielle sundhed og sikkerhedskrav indefor EU.