



Economy Mowers

300, 400, 500, & 600 Series Medium Duty Rotary Cutter

HOWSE economy mowers are Cat. I and are equipped with either a rugged 55 to 100 horsepower gearbox. Tail wheel is steel frame with a laminated rubber tire. Frame is constructed from channel iron. Shear pin protection is standard with slip clutch protection available as optional equipment

Safety Chain Guard is Highly recommended

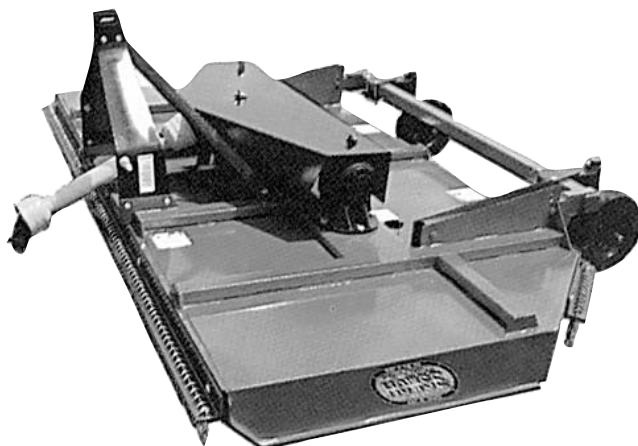


Part No.	Width	Chain Guard	HP	Wt (lbs)	List Price	Back Frt
350	42"	no	45	396	\$1108.00	\$47.52
350C	42"	yes	45	458	1349.00	54.96
400	48"	no	45	450	1127.00	54.00
400C	48"	yes	45	518	1390.00	62.16
500	60"	no	45	507	1188.00	60.84
500C	60"	yes	45	579	1480.00	69.48
601S	72"	no	100	618	1550.00	74.16
601SC	72"	yes	100	710	1893.00	85.20
Options						
KO350C	Safety chains 42"				242.00	7.56
KO400C	Safety chains 48"				261.00	8.16
KO500C	Safety chains 60"				292.50	9.24
KO600C	Safety chains 72"				343.00	11.04

Heavy Duty Mowers

5100, 6100, 7100, 8100, & HD10 Series Heavy Duty Rotary Cutter

Rotary mowers. Models 5100 & 6100 are single blade Cat I & II mowers with an 100 hp rugged gearbox. All others are Cat. II twin blade mowers with 150 HP main gearbox, 2 -100 HP side gearboxes, 10 gauge deck. Available in 3 point or pull type. Rear wheels with laminate puncture-proof tires can be adjusted to different row centers. Drivelines have 35R cross kits



Part No.	Width	G. box hp	Rear wheel	Wt (lbs)	List Price	Back Frt.
HD Mowers ('C' models have safety chain guard)						
5100T	60"	100	single	853	2135.00	100.56
6100T4	72"	100	single	1010	2459.00	122.76
6100CT4	72"	100	single	1102	2800.00	124.08
7102	84"	100	dual	1423	3346.00	156.00
7102C	84"	100	dual	1523	3789.00	156.00
8102	8'	100	dual	1561	3951.00	187.32
8102C	8'	100	dual	1666	4466.00	199.92
HD10	10'	2x100	single	1800	5038.00	216.00
HD10AC	10'	2x100	single	1963	5643.00	235.56
HD10DAC	10'	2x100	dual	2263	6511.00	271.56



MPH Series Moldboard Plows

Category I Moldboard Plow



Three point mounted Cat. I, moldboard plows. Constructed of 3/4" x 3" flat bar frame, high strength carbon steel share, hardened mold board and shear pin break-away. Depth control skid and coulter optional.

Features:

- Plow frame made of 1" x 4" steel bar.
- Category I hitch and lift pins.
- Replaceable share and shin.
- Recommended for tractors with 18-50 hp

Part No.	Description	Weight	Price	B. Frt
MPH112	One 12" Bottom Plow	290 lbs.	\$624.00	\$34.30
MPH114	One 14" Bottom Plow	300 lbs.	624.00	36.00
MPH116	One 16" Bottom Plow	310 lbs.	624.00	37.20
MPH212	Two 12" Bottom Plow	465 lbs.	1047.00	55.80
MPH214	Two 14" Bottom Plow	490 lbs.	1047.00	58.80
MPH216	Two 16" Bottom Plow	520 lbs.	1047.00	62.40
Options				
MP080017	Depth Gauge Kit	26 lbs.	94.00	3.12
MP080018	Coulter Kit (Per Bottom)	31 lbs.	126.00	3.72

SSMB15

3 in 1 Middle Buster / Subsoiler / Trailer Mover



Features:

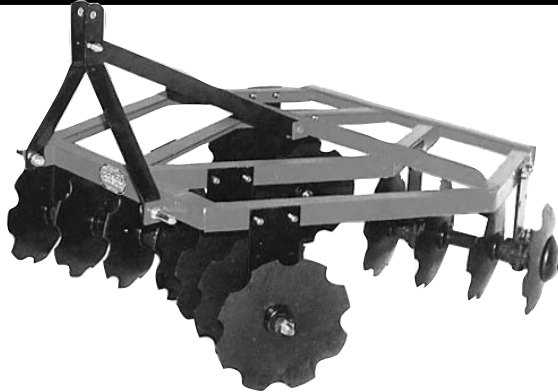
- Category I hitch frame with lift pins.
- Bolt-on replaceable 15" middle buster shovel
- 3/4" x 4" heavy bar middle buster shank
- Solid steel welded construction
- 3/4" x 6" heavy bar subsoiler shank
- Reversible and replaceable subsoiler blade
- 3/4" x 4" heavy trailer bar shank
- SSMB-U works for both gooseneck and bumper trailers
- Frame can be used with 2-5/16" ball to move gooseneck trailers

Part No.	Description	List Price	Back Frt.
SSMB15-U	Subsoiler/Middle Buster/Trailer mover	\$220.00	\$15.00



Medium Duty Disc Harrows

AF Series Angle Frame Disc Harrow



Lightest model disc in the HOWSE line 1/4" x 2-1/2" x 2-1/2" angle iron construction gives dependability without unnecessary weight. A perfect match for 18 to 24 HP tractor. Disc is equipped with Cat. I hitch and cast bearing. Blade spacing is 7". Gang angles are fixed.

Part No.	Width	Blades	Wt. (lbs)	List Price	Back Frt.
AFL12622	4'	16" (12)	423	\$844.00	\$50.76
AFL16622	5'	16" (16)	505	1086.00	60.60
AFL20622	6'	16" (20)	560	1229.00	67.20

**Add \$80.00 For Ball Bearings
In Lieu Of Cast Bearing**

DLT Series Medium Duty Tandem Disc



Angle/tube adjustable 2" x 3" arm tandem disc harrows with cast or ball bearings, 1" axle, 7 1/2" spacing & single u-bolts, drop down clevis hitch

Part No.	Width	Blades	List Price	Back Frt.
DLT12622B	4'	16" (12)	1108.00	59.40
DLT12622C	4'	16" (12)	1037.00	59.40
DLT16622B	5'	16" (16)	1279.00	62.28
DLT16622C	5'	16" (16)	1209.00	62.28
DLT16822B	5'	18" (16)	1375.00	65.64
DLT16822C	5'	18" (16)	1305.00	65.64
DLT20622B	6'	16" (20)	1449.00	65.16
DLT20622C	6'	16" (20)	1379.00	65.16
DLT20822C	6'	18" (20)	1570.00	75.12
DLT20822B	6'	18" (20)	1500.00	75.12

DLHT Series Disc Harrow

Medium Duty Tandem Disc • Category I • 18" notched blades on 7" spacings



All tube adjustable tandem disc harrow medium duty with cast or ball bearings, 1" axles, 7 1/2" spacing, 3" tube arms, double u-bolts & drop down clevis hitch.

Part No.	Width	Blades	Wt. (lbs)	List Price	Back Frt.
DLHT16822B	5.5'	18" (16)	618	1451.00	\$74.16
DLHT16822C	5.5'	18" (16)	618	1379.00	74.16
DLHT20822B	6.5'	18" (20)	696	1652.00	83.52
DLHT20822C	6.5'	18" (20)	696	1581.00	83.52
DLHT24822B	7.5'	18" (24)	774	1853.00	90.12
DLHT24822C	7.5'	18" (24)	774	1782.00	92.88



DHT Series Disc Harrow

Heavy Duty Tandem Disc • Category I • 20" notched blades on 9" spacings

Heavy duty tandem disc is constructed of 3/16" x 3" x 3" square tubing. Disc is equipped with Cat. I hitch, ball bearing and 9" blade spacing. By removing two bolts, the rear section of disc can be folded forward for additional weight in wet conditions. All blades are notched. Gang angle is adjustable. **Ball bearing Standard.**

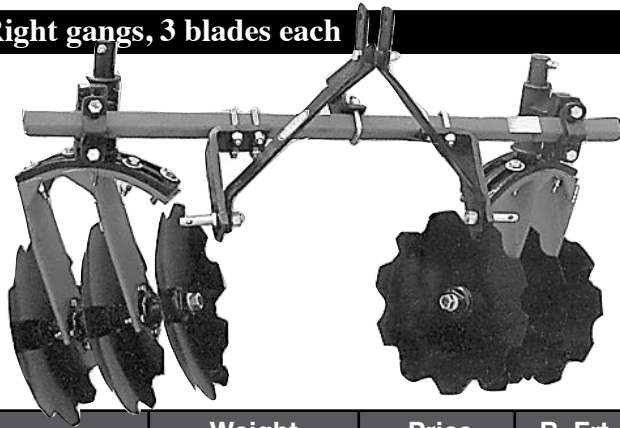


Part No.	Description	Weight	Price	B. Frt.
DHT16022	6' Disc With 16-20" Blades	954 lbs.	\$2278.00	\$114.48
DHT20022	7-1/2' Disc With 20-20" Blades	1091 lbs.	2679.00	130.92
DHT24022	9' Disc With 24-20" Blades	1249 lbs.	3042.00	149.98

RT Series Disc Ridger

3-Pt Disc Ridger • Left & Right gangs, 3 blades each

These ridger sets are R/H & L/H 2 gangs each. All necessary hardware to mount units to 2" solid diamond bar included. Gangs are of 3 blades with 2 flangette bearings. Toolbar and hitch is NOT included, unless RTBC model is ordered

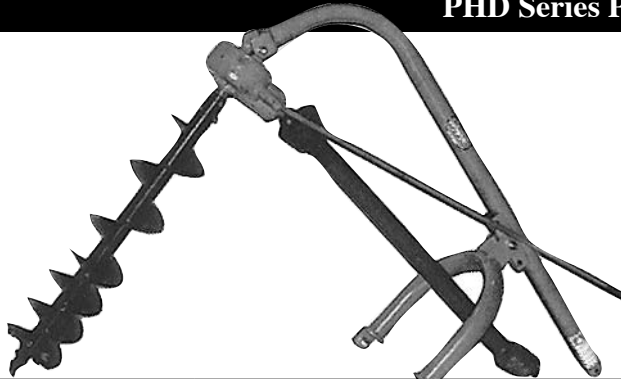


Part No.	Description	Weight	Price	B. Frt
RTBC16	16" 3 Blade Disc Ridger, Complete with 5' toolbar	392 lbs	1067.00	47.04
RTBC18	18" 3 Blade Disc Ridger, Complete with 5' toolbar	400 lbs	1104.00	48.00
RTBC20	20" 3 Blade Disc Ridger, Complete with 5' toolbar	430 lbs	1164.00	51.60
Toolbars				
TB2-6	6' x 2" x 2" Solid Bar	80 lbs.	184.00	9.60



Post Hole Diggers & Augers

PHD Series Post Hole Diggers



Features:

- Category II Three Point Hitch
- Comes with frame, gear box, guide handle and drive shaft.
- Shear pin protection standard .
- Auger choices: 6", 9", 12", 18" and 24".

Part No.	Description	Weight	Price	B. Ft.
Post Hole Digger Assemblies (Less Auger)				
PHD25	Light Duty Posthole Digger Assembly, 1-1/2"	149	\$603.00	\$17.88
PHD45	Medium Duty Posthole Digger Assembly	184	723.00	22.08
PHD75	Heavy Duty Posthole Digger Assembly	211	844.00	25.32
Augers for PHDL25				
PH600LL	6" Auger, 1-1/2"	22	138.00	2.64
PH900LL	9" Auger, 1-1/2"	27	160.00	3.24
Augers for PHDM26				
PH600H	Auger 6" Heavy	35	160.00	4.20
PH900L	Auger 9" Light	35	138.00	4.20
PH1200L	Auger 12" Light	60	240.00	7.20
Augers for PHDH50				
PH900H	Auger 9" Heavy	45	220.00	5.40
PH1200H	Auger 12" Heavy	80	280.00	9.60
PH1800	Auger 18" Heavy	91	523.00	10.92
PH2400	Auger 24" Heavy	140	704.00	16.80

Heavy Duty Spike Tooth Harrows

Three-point Mounted Spike tooth Harrows

3 PT MOUNTED SPIKE HARROW

Cat I lift pins. 3" heavy channel construction. High carbon wear resistant teeth. Harrow section floats and wings fold onto center section.



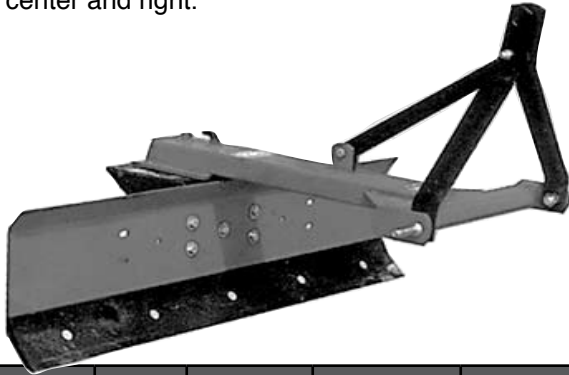
Part No.	Description	Weight	Price	B. Ft.
STH60	5' Harrow With Cat I Hitch	261 lbs.	\$684.00	\$31.32
STH84	7' Harrow With Cat I Hitch	317 lbs.	825.00	38.04
STHW42	Pair 3' 6" Wings	232 lbs.	603.00	27.84
STHW60	Pair 5' 0" Wings	330 lbs.	866.00	39.60



Light/Medium Scraper Blades

GB Series Economy Scraper Blade

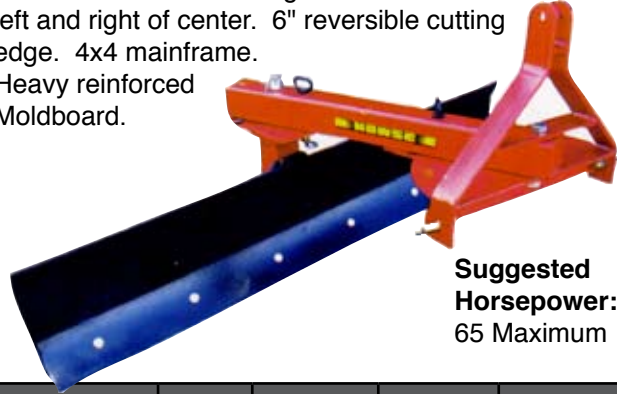
Cat. I or II hitch, 6 way rear mount blade. Blade has hardened steel reversible cutting edge. Blades will offset left, center and right.



Part No.	Width	Wt. (lbs)	List Price	Back Frt.
SXGB4	4'	174	361.00	20.88
SXGB5	5'	189	402.00	22.63
SXGB6	6'	208	441.00	24.96
SXGB7	7'	232	523.00	27.84

SXOSH Series Medium Duty Farm Blade

Cat. I hitch. Full swivel with 25° & 45° angles forward and reverse. Left and right tilt 22°. Offset 22° to the left and right of center. 6" reversible cutting edge. 4x4 mainframe. Heavy reinforced Moldboard.



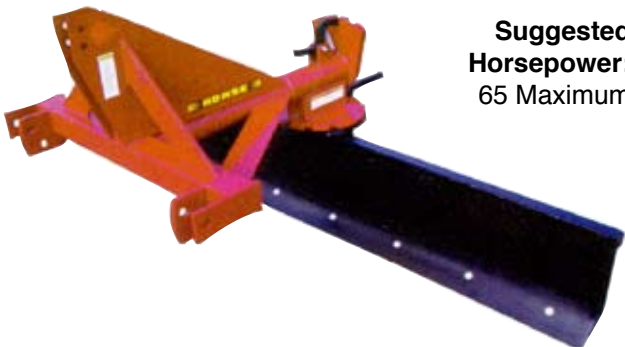
Suggested Horsepower:
65 Maximum

Part No.	Width	Wt. (lbs)	Price	B Frt.
SXLR4	4'	196	564.00	23.52
SXLR5	5'	208	603.00	24.96
SXLR6	6'	222	663.00	26.64
SXLR7	7'	238	745.00	28.56
SXLR8	8'	251	825.00	30.12

Heavy Scraper Blade

SXEH Extra Heavy Duty Grader blade

Cat. I & II hitch. Full swivel with 25° & 45° angles forward and reverse. Left and right tilt 22°. 6" reversible cutting edge. Quick Hitch compatible. Extra heavy mainframe. Extra heavy reinforced Moldboard



Suggested Horsepower:
65 Maximum

Part No.	Width	Wt. (lbs)	Price	B Frt.
SXEHGB6	6'	524	1390.00	\$63.72
SXEHGB7	7'	553	1470.00	66.36
SXEHGB8	8'	582	1591.00	69.84

Rock Rake & Dirt Scoop

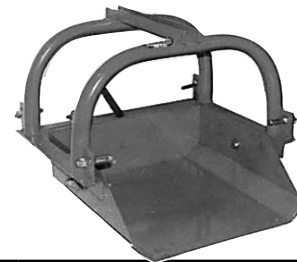
R Series Rake & ES Series Scoop



Cat. I hitch, 6 position angle. RR300 following rake order number adds puncture proof tires.

Part No.	Width	Wt. (lbs)	List Price	Back Frt.
R48	4'	196	564.00	23.52

3 Pt. mounted Cat. I hitch. 30" Dirt scoop can be mounted in either direction to allow scoop to be pulled or pushed. A simple latch which can be rope controlled, releases bracket.



Part No.	Width	Wt. (lbs)	List Price	Back Frt.
ES24	24"	157	\$341.00	18.84
ES30	30"	176	\$402.00	21.12



Box Blades

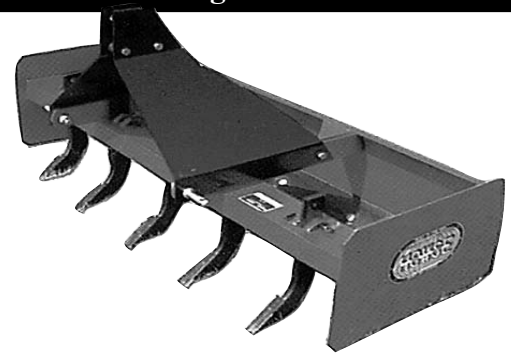
Compact Tractor Series



Catgory I Hitch; quick hitch compatible. 6" Reversibles cutting edges front & rear. Adjustable spring steel shanks. Heavy duty A-Frame. Replaceable foot and blade

Part No.	Size	Wt.	List Price	Back Frt.
BSXEB48	48"	300	603.00	36.00
BSXEB60	60"	350	704.00	42.00
BSXEB66	66"	441	784.00	52.92
BSXEB72	72"	470	844.00	56.40
BSXEB84	84"	521	977.00	62.52
BSXEB96	96"	580	1108.00	69.60

BB Series Hinged Back Box Blade



Heavy duty BB series box blades have hinged rear blades, 1/2" x 6" reversible cutting edges front and rear, adjustable spring steel shanks, and replaceable foot and blade.

Part No.	Width	Wt.	List Price	Back Frt.
BB48	48"	412	805.00	49.44
BB60	60"	469	926.00	56.28
BB66	66"	520	996.00	62.40
BB72	72"	538	1047.00	64.56
BB84	84"	616	1188.00	74.16
BB96	96"	665	1330.00	78.36

Dual Edge Grader Blades

DRG Dual Cutting Edge Blade



- Cat I hitch and lift pins
- 1/4" thick by 13" tall sides with smooth inner surface
- Reversible cutting edges double blade life
- Replaceable skid shoes made of 1/2" x 2" steel

Part No.	Width	HP Req	Wt. (lbs)	List Price	Back Frt.
DRG4	4'	25	412	\$965.00	\$49.44
DRG5	5'	30	454	1086.00	54.48
DRG6	6'	35	560	1229.00	67.20
DRG7	7'	40	615	1390.00	73.80

HDRG Industrial Dual Cutting Edge Blade



- Cat II hitch and lift pins
- 1/4" thick by 20" tall sides with smooth inner surface
- Reversible cutting edges double blade life
- Replaceable skid shoes made of 1/2" x 2" steel

Part No	Width	Wt. (lbs)	List Price	Back Frt.
HDRG7	7'	925	\$1954.00	\$111.00
HDRG8	8'	1050	2196.00	126.00
HDRG10	10'	1275	2599.00	153.00

GK2 Gopher Killer

The Solex Gopher Killer Quickly and Easily Eradicates Gophers Where They Live

Features:

- Adjustable 18" coultter blade mounted on sealed ball bearing hub.
- Adjustable poison seed metering device.
- Large hopper capacity: .65 cu. ft. (Approximately 30 lb. Milo)
- Standard Category I Three Point hitch
- Parking stand is included.
- Filling height is 46-1/2"
- Shear bolt protected shank.
- Dual rear press wheels, 4.80/4.00 x 8 2 ply nylon tire and sealed bearing hubs
- Protective chainguard adheres to safety standards.



Part No.	Description	Weight	Price
GK2	Solex gopher killer complete with parking stand	255 pounds	\$1,754.00

FOB Dixon

Application Method

Poison grain, adjustable in measured amounts, is deposited at regularly spaced intervals 6" to 8" below ground surface. Best application is when ground is moist. Dry, hard ground or extremely wet soil should be avoided. Adjust the top link so that the plow point is slightly downward.

It is most effective to make your application at right angles to the gopher run and with passes 20 to 25 feet apart.

CAUTION should be exercised in handling and storage of poison grain. Any poison grain left exposed on soil surfaces could be consumed by birds or animals. When storing machine, empty hopper and clean machine thoroughly. Poison grain is dangerous to humans and animals. Go slow, not over 5 miles per hour and do a good job.

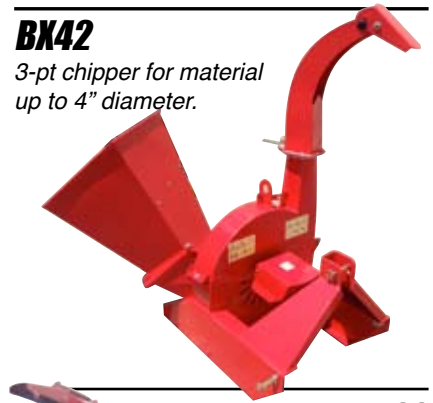
BX Series 3-Pt Chippers

BX-42: 4" Capacity for 16-40 HP • BX62: 6" capacity for up to 100 hp



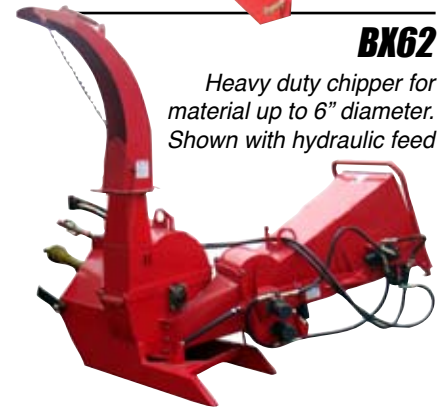
BX42

3-pt chipper for material up to 4" diameter.



BX62

Heavy duty chipper for material up to 6" diameter. Shown with hydraulic feed



Product Features:

- Four high grade, hardened tool steel reversible blades for extended life & increased performance.
- Four blower paddles combined with the air intake holes increase blowing capacity
- Discharge hood rotates 360°
- I-Match and Quick hitch compatible
- Direct drive - no high maintenance belts or pulleys
- Large diameter rotors for faster fan blade speed
- Twig breakers
- Available in self-feed hopper or hydraulic roller feed
- Feed hoppers fold up for shipping or storage
- Rotor opening takes slabs to 12" (BX62) 10" (BX42)

Model	BX42	BX62
Drive System	PTO w/ shearbolt	
Chipper Capacity	4" dia	6" Dia
Chipper Opening	4" x 10"	6-1/2" x 12"
Rotor Size	25"	30"
Rotor Knives	4	4
Knife Type	Hardened steel	
Rotor Weight	110 lb	180 lb
Feeding System	Self or Hyd.	
Mounting System	3-Pt	
Hopper Opening	20" x 20"	25" x 25"
Discharge rotation	360°	
Discharge height	60"	74"
Rated RPM	540-1000	
Weight	405 lbs	630 lbs

Part No.	Description	Wt	List
BX42	3-pt hitch PTO driven 4" chipper self feed	405 lbs	1,553.00
BX62R	3 point hitch PTO driven 6" Chipper hydraulic feed	630 lbs	3,780.00

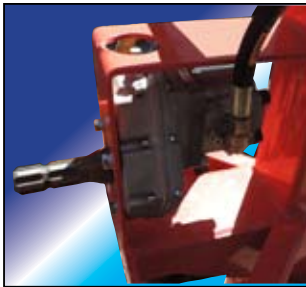
3 Pt Log Splitters

3-Pt Log Splitters • PTO Drive System



Model	LSP18T	LSP22T
Tractor HP	20-70hp	20-70hp
Hitch	3-Pt Cat I	3-Pt Cat I
Drive	PTO	PTO
Hydraulic System	Self-contained	Self-contained
Valve	4-Way Control	4-Way Control
Hyd. cylinder	4X24"	5X24"
Max Split Length	24"	24"
Max Wood Dia	8"	8"
Max Split Force	18 Tons	22 Tons
Weight	396 lbs	430 lbs
Dimensions	76 x 28 x 20"	76 x 28 x 20"

Product Features:



PTO Drive Pump

Powered by your 540 RPM PTO. For use with 20-70 horsepower tractors.



Powerful Splitting

Tough wedge splits logs up to 8" diameter. For logs up to 24" long.



4-way Hyd. Valve

Completely self contained hydraulic system doesn't tax tractor hydraulics.



Lever operation

Controlled by a simple lever that is accessible from either side of the splitter

Part No.	Description	Wt	List
LSP22T	3-pt hitch PTO driven Log Splitter; 4" hyd cylinder	430 lbs	1,480.00

Backhoe

For 18-45 HP Tractors • Cat II #-pt • 4 to 6 GPM hydraulic system • Pump Kit available



Features:

- Compact design for small tractors.
- For 4-6 gpm hydraulic system; 2250 PSI
- PTO Pump Kit is optional.
- Digging depths up to 7' (BH6) and 8' (BH7)
- 9" and 12" buckets with replaceable teeth
- Powder coat finish standard.
- Category II Three-point hitch

SPECIFICATIONS		
Model	BH6	BH7
Maximum Digging Depth	7'0"	8'0"
Digging Depth (two foot flat bottom)	6'6"	7'6"
Swing Arc	180 °	180 °
Loading Height (bucket at 60 °)	5'0"	5'10"
Reach from Center Line of Swing Pivot	8'6"	9'6"
Transport Height (maximum)	4'11"	5'9"
Bucket Rotation	180 °	180 °
Loading Reach (bucket at 60 °)	3'2"	3'7"
Transport Overhang	3'5"	3'6"
Undercut	2'4"	2'6"
Stabilizer Spread, down position	6'6"	7'5"
Stabilizer Spread, up position	3'11"	5'1"
Bucket Cylinder Digging Force	2450 lbs	2840 lbs
Dipper stick Cylinder Digging Force	1250 lbs	2005 lbs
Shipping Weight (less bucket)	654 lbs	875 lbs
Hydraulic Volume Requirements	4 to 5 GPM	5 to 6 GPM
Hydraulic Pressure Requirements	2250 psi	2250 psi
Recommended Tractor HP Requirements	18 - 35 HP	25 - 45 HP

Part No.	Description	Wt	List
BH6	3-pt hitch backhoe; 18-35 HP	654 lbs	4,428.00
BH7	3-pt hitch backhoe; 25-45 HP	875 lbs	4,536.00
Pump Kits			
BH6PUMPKIT	Pump Kit for BH6		324.00
BH7PUMPKIT	Pump Kit for BH7		324.00
Buckets			
BK9	9" Bucket		162.00
BK12	12" Bucket		173.00

3-Pt Flail Shredder

Category I Three-Point Mount • 61 or 68" Working widths • For 30-55 hp tractors



Model	EFGC-155	EFGC-175
Tractor HP	30-40hp	35-55hp
3-Point Linkage:	Cat. I	Cat. I
Weight:	727 lbs	793 lbs
Cutting Width:	61 in	68 in
Overall Width	66 in	74 in
Gearbox:	35hp	50hp
PTO	540r/min	540r/min

Part No.	Description	Wt	List
EFGC155H	Three Point Flail Shredder, 61" with Hammers	727 lbs	1,471.00
EFGC155K	Three Point Flail Shredder, 61" with Knives	727 lbs	1,471.00
EFGC175H	Three Point Flail Shredder, 68" with Hammers	793 lbs	1577.00
EFGC175K	Three Point Flail Shredder, 68" with Knives	793 lbs	1577.00

Track Curry

One Pass Arena Preparation



The Martin Track Curry is designed to renovate and condition horse arenas and tracks in a single pass.

Available in 5 through 8' sizes, the machine consists of two rows of heavy-duty S-tine shanks with reversible points to loosen and cultivate soil to provide a uniform finish. The Track-Curry cultivator provides a firm, yet giving surface that provides the surest footing for your horses.

Mod	Width	Tines	Cat.	HP	Wt	Price	B. Frt
TC5	5'	13	I	18-32	460	1673.00	92.00
TC6	6'	15	I	22-39	530	1948.00	106.00
TC7	7'	17	I	26-47	640	2129.00	128.00
TC8	8'	19	I & II	30-53	725	2305.00	145.00

Track Groomer

Provides Sure Footing in Pens & Arenas



The next best friend your horse could have, other than you, is the Trackgroomer. Use the Trackgroomer to provide sure footing and easy on the feet riding areas.

Need to mix in some sand or any material? This is the tool you've been looking for! Work up your round pen. All you need is a tractor with three-point hitch; no PTO required. Get within 2" of walls or fences. No more shovels or built up sides in your arenas and riding pens.

Model	Description	Weight	Price	B. Frt.
TG5	5' Track Groomer	250 lbs	1170.00	50.00
TG6	6' Track Groomer	275 lbs	1269.00	55.00
TG7	7' Track Groomer	300 lbs	1334.00	60.00
TG8	8' Track Groomer	325 lbs	1433.00	65.00

Cultivator

Simple, Affordable Cultivator • 5 to 7' width for Category I three-point mount.



The Martin Cultivator features two rows of heavy-duty S-tine shanks with reversible points to loosen and cultivate soil. Available in 5 to 7' working widths for Category I three-point mounts.

Specifications and Pricing

Model	Width	Tines	Hitch	Wt	Price	B. Frt
CU5	5'	9	Cat I	164 lbs	601.00	32.80
CU6	6'	11	Cat I	193 lbs	648.00	38.60
CU7	7'	13	Cat. I	222 lbs	714.00	44.40

Vision

The Alce has the highest rotor speed in the industry for excellent cutting quality.



The extra heavy duty FALC Alce has the highest rotor speed in the industry to insure excellent cutting quality. Orchard, vineyard, and row crop models available.

Standard Equipment:

- A-6 series 540 RPM PTO with free wheel yoke and standard hitch on 1600 & 1950
- A-7 series 540 RPM PTO with free wheel yoke and heavy duty hitch on 2300 & 2500
- A-8 series 1000 RPM PTO with internal free wheel and heavy duty hitch on 2700 & 3200
- Type 1 knife standard & shredder bar.
- Hood and liner and gauge wheels

Blade Options			
Type 1 Blade		Type 2 Blade	
Type 3 Contour Blade		Type 4 Hammer	
Type 5 Blade		Type 6 Blade	

Model No	Width	No. of Blades	Weight	Price Type 1	Back Frt.
Alce 1600	62.2"	32	1389 lbs.	\$9,223.00	\$263.34
Alce 1950	76.4"	40	1675 lbs.	9,647.00	317.68
Alce 2300	90.6"	48	1862 lbs.	11,242.00	384.56
Alce 2500	97.7"	52	2050 lbs.	12,143.00	418.00
Alce 2700	104.8"	56	2314 lbs.	12,636.00	459.80
Alce 3200	126.0"	64	2744 lbs.	14,886.00	520.41

Blades, Hammers, Options & Accessories

	1600	1950	2300	2500	2700	3200
Hammers and smooth counterblade in lieu of std	99.00	123.00	148.00	160.00	N/A	N/A
#3 or #9 blades w/ smooth counterblade in lieu of std	321.00	401.00	481.00	521.00	N/A	N/A
1000 rpm PTO in lieu of std	462.00	462.00	462.00	462.00	-	-
540 rpm PTO in lieu of std	-	-	-	-	170.00	170.00
Adjustable skids	293.00	293.00	293.00	293.00	293.00	293.00

Super Alce

A Larger Version of the Falc Alce, The Super Alce is Built For Tough Row Crop Applications



Super Alce 2700 USA & 3200 USA

“USA” models have heavier components to adapt them to shredding of orchard prunings. These changes include:

- Hammers in lieu of knives
- 540 rpm PTO
- 2 additional wearsheets under hood & rear cover
- HD rotor bearing & steel bearing support
- Hammer support pins w/ locknut in lieu of cotter pin.
- Rear frame drilled for rake tines

A heavier version of the Falc Alce, the Super Alce also utilizes the highest rotor speed in the industry for clean, even cutting. The Super Alce is available in working widths from 97” to 165” for tractors from 90 to 170 hp. Single and double rotor models available.

Standard Equipment:

- A-8 Series PTO shaft. 1000 RPM standard. We may have optional 540.
- Interchangeable blades (Type 1 standard)
- 2 rear adjustable gauge wheels except on the 6400, which is equipped with 4.
- Gearbox with internal free wheel
- Replaceable wear sheet

Blade Options			
Type 1 Blade		Type 2 Blade	
Type 3 Contour Blade		Type 4 Hammer	
Type 5 Blade		Type 6 Blade	

Model No	Width	Blades	H.P.	Weight	Price	B.Frt.
2500	97.7”	52	88	2497 lbs	14,116.00	474.43
2700 USA	104.8”	56	95	2524 lbs.	17,529.00	479.56
3200 USA	126”	68	113	3190 lbs.	18,538.00	606.10
3200MT	126.0”	68	113	3190 lbs.	16,073.00	606.10
3200DT	126.0”	68	113	3564 lbs.	18,739.00	677.16

Blades, Hammers, Options & Accessories

Description	2500	3200
Hammers & Smooth counterblades in lieu of std	160.00	210.00
#3 or #9 blades w/ smooth counterblades in lieu of std	521.00	681.00
Suction blades in lieu of spacers	0	0
Add pair of rear gauge wheels	1526.00	1526.00
540 rpm pto in lieu of 1000 rpm	154.00	154.00
Adjustable skids	293.00	293.00

Kronos

The Kronos, Falc's largest shredder, built for intensive row crop applications.

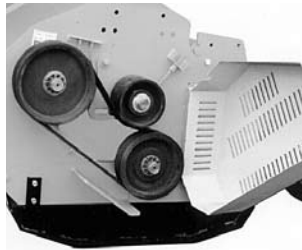


Standard Equipment:

- HD Series SH PTO Shaft
- Replaceable wear sheets
- Interchangeable blades. Type 1 is standard
- Two adjustable gauge wheels on 4000, 4800, & 5400. Four wheels on 6400 & 8000
- Dual Belt Drive.
- Gearbox with internal flywheel.
- 4 belts per side on 4000; 5 belts per side on 4800 thru 6400; 6 belts per side on 8000.
- 2nd set of cutter bars

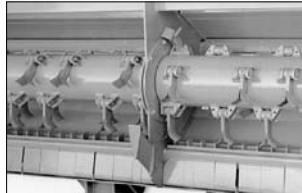
Dual Belt Drive

Belt drive system with adjustable automatic belt tensioner. Safety cover swings open with just a pull of a pin.



Kronos Rotor

Precision balanced for smooth operation. Rotor diameter is 12". Pictured is the dual rotor of 4800 and larger model sizes.



Blade Options

Type 1 Blade		Type 2 Blade	
Type 3 Contour Blade		Type 4 Hammer	
Type 5 Blade		Type 6 Blade	

Model No.	Width	Blades	H.P.	Weight	Price (Type 1 Blades)	Back Frt.
4000	158"	88	100-160	5500 lbs.	\$26,967.00	\$1,045.00
4800	190"	104	100-160	6204 lbs.	32,019.00	1,179.00
5400	215"	120	120-180	7260 lbs.	35,017.00	1,379.00
6400	250"	144	120-180	8404 lbs.	39,310.00	1,597.00
8000	314"	176	160-280	10186 lbs.	54,135.00	1,935.00

Blades, Hammers, Options & Accessories

Description	4000	4800	5400	6400	8000
Hammers & smooth cutter bars in lieu of std	252.00	298.00	343.00	412.00	N/A
#3 or #9 blades w/ smooth cutter in lieu of std	N/A	967.00	1,116.00	1,339.00	N/A
Suction blades in lieu of spacers	0.00	0.00	0.00	0.00	0.00
Add. pair of gauge wheels.	1,631.00	1,631.00	1,631.00	-	-
1469 - Fixed RR wheel ea					930.00

Kronos 6000/P

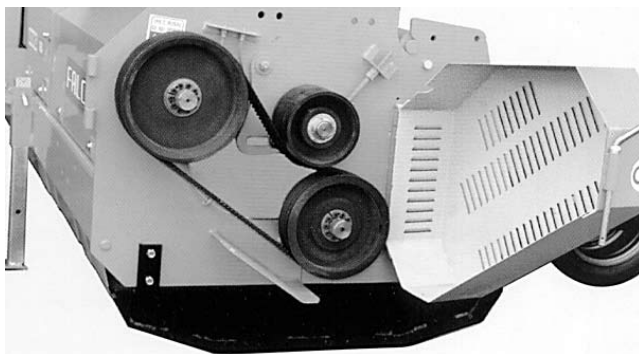
Built for intensive row crop applications • Hydraulically folds to narrow transport width



The Kronos provides all the advantages of the Heavy Duty Kronos shredder plus hydraulic folding for narrow transport width. The Kronos 6000/P is particularly suited for 3 - 80 inch or 2 - 84 inch beds (requires optional folding wheels).

Standard Equipment:

- Double Belt Drive.
- Interchangeable blades. Type 1 is standard
- Adjustable gauge wheels
- Gearbox with internal flywheel.
- 5 belts per side



Kronos Rotor
Precision balanced for smooth operation. Rotor diameter is 8". Full blade swing is 25" in diameter.



Dual Belt Drive
Belt drive system with adjustable automatic tensioner & safety cover.

Hyd. Folding
Folds for transport Wings are synchronized via a small hydraulic cylinder

Model No.	Width	Blades	HP Req.	Weight	Price	Back Frt.
Kronos 6000/P	240"	136	120-180	7165 lbs	40,512.00	1358.50

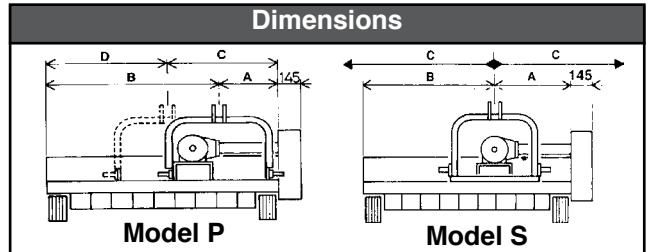
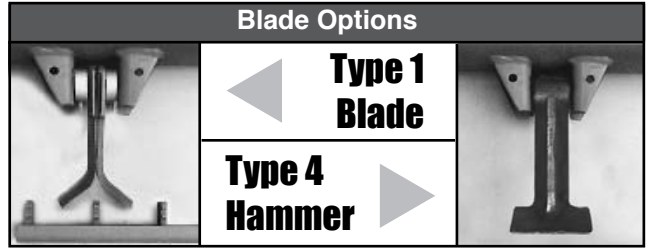
Cat

The Cat, Falc's smallest shredder, is ideal for vineyard operation.

Cat Shredder

Ideal for Vineyards.

Model SP *Hyd. Offset*



Model	A	B	C	D
1200F	23.9"	24.9"	23.9"	24.9"
1350F	15.4"	39.4"	29.1"	25.7"
1500F	15.4"	45.0"	29.1"	31.3"
1800F	15.4"	56.2"	29.1"	42.4"
2100F	15.4"	67.4"	29.1"	53.6"
2500F	36.1"	63.4"	50.2"	49.3"
1350SP	23"	32"	shift 8" from center	
1500SP	23"	38"	shift 8" from center	
1800SP	23"	49"	shift 8" from center	
2100SP	23"	60"	shift 8" from center	
2500SP	36"	64"	shift 8" from center	

Standard Features:

- "F" series has one position manual offset. "S" offsets hydraulically
- 5.5" rear roller for level cutting and height adjustment.
- 20-60 HP required.
- Electronically balanced rotor and long-life rotor bearings for smooth operation Rotor diameter is 4.7"
- Hardened steel hammers are standard. Type 1 blades are also available.
- Harvest tines and front wheels are available as optional equipment.

Model No.	Width	Weight	Blades Type 1	Hammers	Price	B.Frt.
1000F	40"	616 lbs	27	14	\$4,808.00	117.04
1200F	47"	653 lbs.	32	16	4,994.00	\$124.07
1350F	53"	689 lbs.	36	18	5,509.00	130.91
1500F	59"	739 lbs.	40	20	5,767.00	140.41
1800F	71"	829 lbs.	48	24	5,967.00	157.51
2100F	83"	924 lbs.	56	28	6,382.00	175.56
1350SP	53"	777 lbs.	36	18	5,638.00	47.63
1500SP	59"	823 lbs.	40	20	5,867.00	156.37
1800SP	71"	917 lbs.	48	24	6,310.00	174.23
2100SP	83"	1012 lbs.	56	28	6,769.00	192.28
2500SP	100"	1210 lbs.	68	34	8,485.00	229.90

Options & Accessories

Description	1000	1200	1350	1500	1800
Front support wheels	Add \$462.00 For Cat F (#451370) and \$400.00 for Cat SP (#451371)				
Harvest Tines	140.00	160.00	180.00	200.00	240.00



Zenit

A versatile low-profile shredder available with fixed hitch or hydraulic offset.

The Falc Zenit Shredder is a low-profile shredder designed for orchards, vineyards, and row crop.

Standard Equipment:

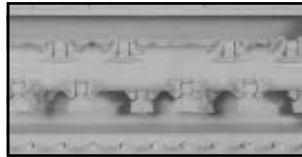
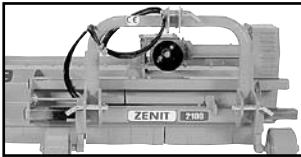
- 540 RPM PTO Shaft
- Hood and replaceable liner
- Internal free wheel with all models
- Heavy duty hammers w/ shredder bar (blades optional)
- Bar for harvest tines (Tines Optional)
- Rear roller assembly



Zenit Shredder
Low profile shredder



Model F
Fixed 3-Point Hitch



Model SP

Zenit SP models feature hydraulic offset hitch.

Falc Rotor

Electronically balanced rotor with type 4 hammers.

Zenit Rear

Rear door and roller are standard. Harvest tines optional.

Gauge Wheels

Gauge wheels are available as optional equipment.

Model No.	Shred Width	Total Width	Blades	Hammers	Weight	Price	B. Frt.
Zenit 1600F	63"	73"	32	16	1312 lbs.	7,620.00	249.28
Zenit 1800F	71"	81"	36	18	1389 lbs.	7,985.00	263.91
Zenit 2100F	83"	93"	44	22	1587 lbs.	8,565.00	301.53
Zenit 2300F	91"	101"	48	24	1764 lbs.	8,801.00	335.16
Zenit 2500F	98"	108"	52	26	1918 lbs.	10,260.00	364.42
Zerit 2700F	106"	116"	56	28	2094 lbs.	10,532.00	397.86
Zenit 3000F	118"	128"	64	32	2249 lbs.	11,362.00	427.31
Zenit 1600SP	63"	73"	32	16	1455 lbs.	8,135.00	\$276.45
Zenit 1800SP	71"	81"	36	18	1587 lbs.	8,500.00	301.53
Zenit 2100SP	83"	93"	44	22	1764 lbs.	9,080.00	335.16
Zenit 2300SP	91"	101"	48	24	1874 lbs.	9,316.00	356.06
Zenit 2500SP	98"	108"	52	26	2006 lbs.	10,775.00	381.14
Zenit 2700SP	106"	116"	56	28	2183 lbs.	11,047.00	414.77
Zenit 3000SP	118"	128"	64	32	2403 lbs.	11,877.00	456.57

Options & Accessories

	1600	1800	2100	2300	2500	2700	3000
Skids	100.00	100.00	100.00	100.00	100.00	100.00	100.00
Front Wheels "F"	658.00	658.00	658.00	658.00	658.00	658.00	658.00
Front Wheels "SP"	544.00	544.00	544.00	544.00	544.00	544.00	544.00
2 nd shrd bar instaled	107.00	119.00	138.00	152.00	165.00	177.00	200.00
Harvest Tines	205.00 (11)	223.00 (12)	279.00 (15)	298.00 (16)	316.00 (17)	353.00 (19)	391.00 (21)
Rear Wheels	1,088.00	1,088.00	1,088.00	1,088.00	1,088.00	1,088.00	1,088.00

Top

Extra Heavy Duty Shredder designed for specifically for demanding Orchard use.



Automatic Belt Tensioning System:

Dimensions:

- A:** 9.6" diameter x .4" wall thickness
- B:** 12" Diameter
- C:** 8.3" Diameter
- D:** 7.8" Diameter
- E:** No of belts:
2500 - 2700: 5
3200: 6



Extra Heavy Duty Construction:

1. Electronically balanced rotor.
2. Rear roller is height adjustable.
3. Front support wheels are height-adjustable and in conjunction with the adjustable rear roller, provide a steady cutting height.
4. Roller bearings provide smooth operation.
5. Falc no. 3 durafaced hammers quickly break down prunings up to 3" in diameter.
6. Standard harvest tines.
7. Rear exit grill ensures fine, uniform choppings.
8. Wide, tall entrance accepts larger prunings.

The Falc Top Shredder is an extremely strong, heavily built machine for the shredding of orchard prunings such as almond and walnuts. Built to help growers comply to burn restrictions, the Top provides an economical way to clear heavy prunings

Features:

- Extra heavy duty construction to deal with the special demands of heavy orchard prunings.
- Reduces branches up to 3" in diameter to fine, light cuttings
- 2110 rpm rotor propels Falc's heavy durafaced hammers to 250 feet per second at tips.
- Automatic belt tensioning system
- Front or Rear Mount
- Rear Roller and front support standard.

Model	Tractor HP	Weight	Hammers	PTO RPM	Cutting Width	Total Width	Price	B. Frt
2700	90-160	3968 lbs.	28	1000	105"	114"	32,697.00	753.92
3200	90-160	4453 lbs	34	1000	126"	135"	37,474.00	846.00

Super Sax

Front or Rear Mount • Manual /Hydraulic Offset • 63” to 82” Cutting Width • 50-100 HP



Sax Shredder

Pictured is model 1800, 72” working width

Reversible Hitch

For fast, easy front or rear tractor mounting.



Standard Equipment:

- Front and rear hitch and PTO allow for both front and rear tractor mounting.
- Hydraulic offset hitch is standard equipment.
- 540 rpm PTO shaft
- 4 groove pulley for 1600 & 1800
- 5 groove pulley for 2100
- Rear roller & 2 front support wheels are standard.

Blade options

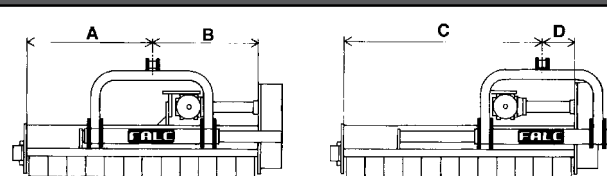


**Type 1
Blade**

**Type 4
Hammer**

**Type 5
Blade**

Dimensions



Model	1600	1800	2100
Figure A	29”	39”	48”
Figure B	34”	34”	34”
Figure C	53”	63”	72”
Figure D	10”	10”	10”

Model No.	Width	Blades	Hammers	Weight	Price	B.Frt.
S. SAX1500	58”	24	12	1654 lbs	\$9,344.00	\$314.26
S. SAX1600	63”	24	12	1672 lbs.	9,415.00	317.68
S. SAX1800	72”	28	14	1782 lbs.	9,759.00	338.58
S. SAX2100	82”	32	16	1892 lbs.	10,303.00	359.48

Optional Equipment

Harvesting Tines (40214120):	S. SAX 1500	186.00	-
	S. SAX 1600	204.00	-
	S. SAX 1800	242.00	-
	S. SAX 2100	279.00	-
Front Wheels	Pair (all models)	544.00	-

Pellicano & Super Pellicano

A hydraulic articulating shredder for cutting along banks, ditches, or roadsides.

The Pellicano chops grass, bushes, & branches on roadsides, the banks of ditches and canals. It pivots through an arc of 150°, retracts directly behind the tractor, and swings out to one side. If an obstacle is contacted, a safety system allows the shredder to pivot clear, then automatically resets. Super Pellicano model has gearbox outboard of belt drive for even greater swing angle.

Standard Features:

- Gearbox with internal freewheel
- 540 rpm pto
- Rear closing hood
- For tractors 80-110 hp.



Transport Position

Pellicano retracted directly behind the tractor for rear mowing and transport.



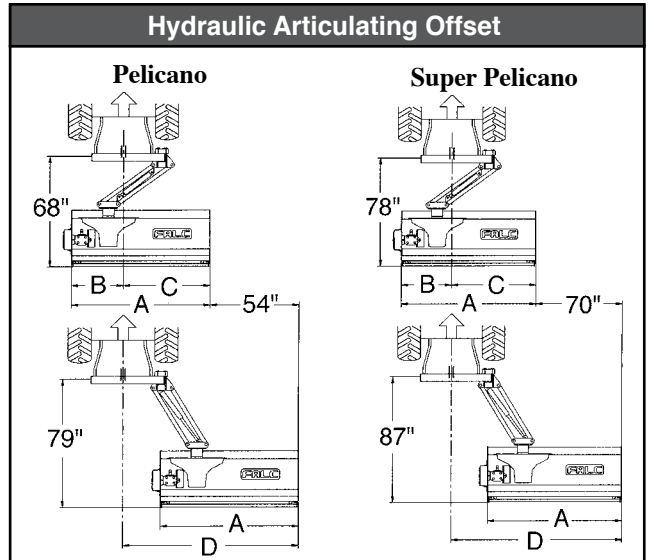
Hydraulic Offset

Pellicano offsets to one side. An automatic system pivots shredder clear of obstacles.



Angled Operation

The Pellicano angles up to 90° upward and 60° downward to cut along the edges of banks & ditches.



Model	A	B	C	D
Pellicano 1600	63"	31"	31"	86"
Pellicano 1800	70"	31"	39"	93"
Pellicano 2100	84"	31"	53"	107"
S. Pellicano 1600	63"	21"	42"	112"
S. Pellicano 1800	70"	21"	49"	118"
S. Pellicano 2100	84"	21"	63"	133"

Model No.	Cutting Width	No. of Hammers	Weight	Price	B. Ft
Pellicano 1600	63"	16	1654 lbs.	\$12,750.00	\$314.26
Pellicano 1800	70"	18	1742 lbs.	12,850.00	330.98
Pellicano 2100	84"	22	1874 lbs.	13,337.00	356.06
S. Pellicano 1600	63"	16	1874 lbs.	14,482.00	356.00
S. Pellicano 1800	70"	18	2028 lbs.	14,596.00	385.32
S. Pellicano 2100	84"	22	2160 lbs.	15,040.00	410.40
S. Pellicano 2500	98"	26	2491 lbs	17,072.00	473.29

Solex & Vortex Shredder

High Quality Shredders with Hydraulic Dumping Collection Hopper.



Standard Equipment:

- Solex is suited to the shredding of grass & light vineyard prunings.
- Vortex shreds material up to light orchard prunings as well as grass & vineyard prunings
- 540 rmp pto
- Maximum dumping height of 80"
- Rear roller
- Threaded hammer support pin with self-locking nut.



Rotor and Drive Information		
	Solex	Vortex
A	5.5" x 3/8" wall	7.6" x 3/8" wall
B	17"	24.5"
C	4 belts	4 belts

Pricing Information

Model	Description	HP req.	Weight (lbs.)	Hopper Capacity	Price	Back Freight
Solex 1800	71" cutting width shredder	80-90	2403	2.43 cu. yd.	16,142.00	177.65
Vortex 2100	84" cutting width shredder	100-140	3153	3.05 cu. yd.	18,517.00	207.67

Options & Accessories

	1800	2100
Front Wheels (pr)	544.00	544.00
Skids (pr)	100.00	100.00
Rear rake tines	(12) 155.00	(15) 193.00
Entry guide	286.00	315.00

Condor

62 to 90" Cutting Width • Hydraulic or 2 position fixed Offset • For 50 -70 hp Tractors

Standard Equipment:

- Rear roller
- Gearbox with internal freewheel.
- Shredder Bar
- Rear hood and bar for harvest tines.
- PTO shaft
- F model has 2 position hitch, while SP model has hydraulic offset.



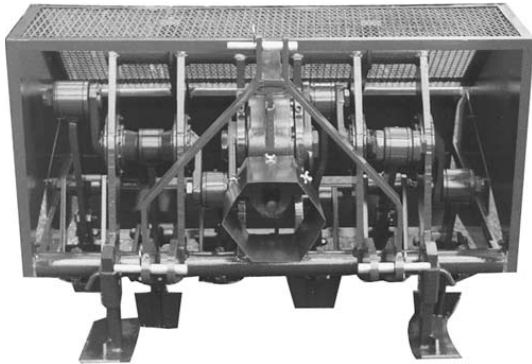
Hitch Offset

Model	A	B	A/1	B/1	Illustration	
F 1600	15"	48"	30"	33"		
F 1800	15"	55"	30"	40"		
F 2300	32"	58"	45"	45"		
SP 1400	14"	41"	31"	24"		
SP 1600	14"	48"	31"	31"		
SP 1800	14"	56"	31"	38"		
SP 2100	14"	70"	31"	52"		
SP 2300	20"	70"	38"	53"		

Model	Description	Weight (lbs.)	No of Hammers	Price	Back Freight
Condor F 1400	43" Shredder; 2 position fixed hitch	961	16	\$6,482.00	182.59
Condor F 1600	62" Shredder; 2 position fixed hitch	1012	16	6,754.00	\$192.28
Condor F 1800	70" Shredder; 2 position fixed hitch	1078	18	7,069.00	204.82
Condor F 2300	90" Shredder; 2 position fixed hitch	1276	24	7,942.00	242.44
Condor SP 1400	55" Shredder; 2 position fixed hitch	1089	14	6,926.00	206.91
Condor SP 1600	62" Shredder; hydraulic offset hitch	1133	16	7,198.00	215.27
Condor SP 1800	70" Shredder; hydraulic offset hitch	1199	18	7,513.00	227.81
Condor SP 2100	84" Shredder; hydraulic offset hitch	1320	22	8,014.00	250.80
Condor SP 2300	90" Shredder; hydraulic offset hitch	1398	24	8,386.00	265.43
Options					
	Pair of Front Wheels -F			429.00	
	Pair of Front Wheels - SP			372.00	
	Pair of Skids			100.00	
	Rear Tines:				
1400	9 rear tines for model 1400			116.00	
1600	10 rear tines for model 1600			130.00	
1800	11 rear tines for model 1800			142.00	
2100	13 rear tines for model 2150			167.00	
2300	15 rear tines for model 2300			193.00	

Panda

35 to 58 inch working width • 4 Speed Gearbox • For 20 - 35 horsepower Tractors



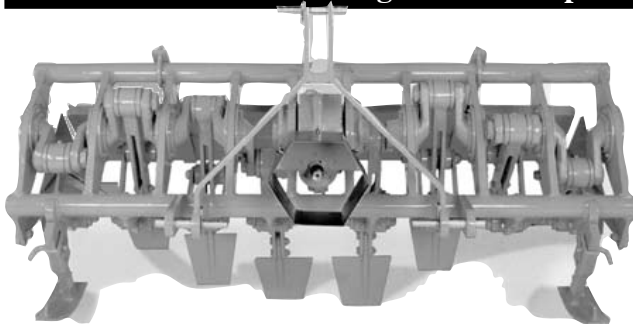
- 4 Speed Ranges
 - PTO shaft Less clutch
 - Cage Protection
- Tractor must be equipped with creeper gear*

Gearbox model M5.75 - 540 RPM				
Pos	Gear Ratio			
	1	○16	○15	○14
2	●13	●14	●15	●16
rpm	114	130	150	172

Model No.	Width (in.)	Spades	Digging Depth	Weight	Price	B. Frt.
1000	35.4	4	8 in.	495 lbs.	\$5,580.00	\$94.05
1300	48	6	8 in.	682 lbs.	6,797.00	129.58
1500	58	6	8 in.	724 lbs.	7,012.00	134.56
Optional Equipment:						
PTO shaft with clutch					169.00	-

Mini Toro

40 to 80 inch working width • 4 Speed Gearbox • For 30-60 horsepower Tractors



- Standard Equipment:**
- 4 Speed Ranges
 - PTO shaft with clutch
 - Cage Protection
- Tractor must be equipped with creeper gear*

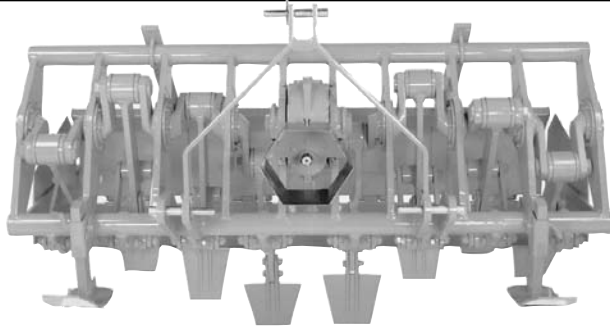
Gearbox model M6.25 - 540 RPM				
Pos	Gear Ratio			
	1	○16	○15	○14
2	●13	●14	●15	●16
rpm	120	140	160	180

Mini Toro without cage protection
Shown is Mini Toro 1800, designed for 30-60 hp.

Model No.	Width (in.)	Spades	Digging Depth	Weight	Price	B. Frt.
1000	39.5	4	10 in.	836 lbs.	\$7,870.00	\$158.84
1200	50.0	4	10 in.	869 lbs.	8,142.00	165.11
1300	55.6	6	10 in.	1056 lbs.	9,645.00	200.64
1500	59.4	6	10 in.	1100 lbs.	9,745.00	209.00
1700	66.4	6	10 in.	1144 lbs.	9,960.00	217.36
1800	71.6	8	10 in.	1298 lbs.	11,706.00	246.62
2000	76.9	8	10 in.	1342 lbs.	11,863.00	254.98

Toro Spader

50 to 98 inch working width • 3 Speed Gearbox • For 40-90 horsepower Tractors



◀ **Toro, shown without cage protection**
Shown is Toro 1800, designed for 40-90 hp.

Cage Protection ▶
Cage protection is standard



Standard Equipment:

- 3 Speed Ranges: 120, 140, & 160 rpm.
- External flanges and cage protection are standard.
- PTO shaft with clutch

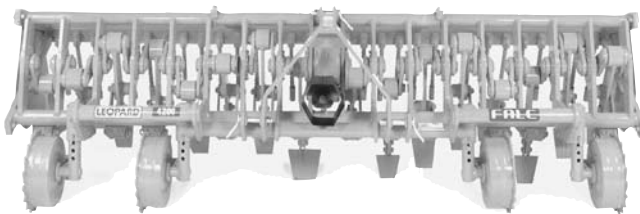
Tractor must be equipped with creeper gear

Gearbox model M6.25 - 540 RPM				
Pos	Gear Ratio			
	1	○ 16	○ 15	○ 14
2	● 14	● 15	● 15	
rpm	120	140	160	

Model No.	Width (in.)	Spades	Digging Depth	Weight	Price	B. Frt.
Toro 1300	55.0	6	14 in.	1485 lbs.	\$11,906.00	\$282.15
Toro 1500	59.2	6	14 in.	1485 lbs.	11,906.00	282.15
Toro 1700	66.1	6	14 in.	1562 lbs.	12,121.00	296.78
Toro 1800	71.5	8	14 in.	1826 lbs.	13,695.00	346.94
Toro 2000	77.0	8	14 in.	1936 lbs.	13,852.00	367.84
Toro 2200	87.0	10	14 in.	2376 lbs.	16,571.00	451.44
Toro 2500	97.6	10	14 in.	2464 lbs.	16,728.00	468.16

Leopard Spader

100 to 165 inch working width • 2 or 4 Speed Gearbox • For 40-90 horsepower Tractors



- 4 speeds on 2500; 2 speeds on 3200 - 4200
- PTO with clutch: M8 on 2500 & 3200, M9 on 4200
- Pair of guage wheels on 2500 & 3200; 2 pair on 4200
- All movement on sealed bearings
- Rear grill, cage protection, & PTO shaft with clutch.

Tractor must be equipped with creeper gear

Pos.	Model 3200-4200 (1000 rpm)		Model 2500 (540 rpm)			
	1	○ 24	○ 23	○ 20	○ 19	○ 18
2	● 13	● 14	● 17	● 18	● 19	● 20
RPM	165	187	140	158	175	196

Model No.	Width (in.)	Spades	Digging Depth	Weight	Price	B. Frt.
3200	124.0	12	14 in.	3784 lbs.	35,403.00	718.96

Model A Rotary Tiller

36 to 66 Inch Tillage Width • 30 horsepower max • Single Speed Gearbox

Model A 900 Tiller

The model A900 tiller is perfect for use with smaller tractors up to 30 hp. Model A Tillers are available from 36 to 66 inches.

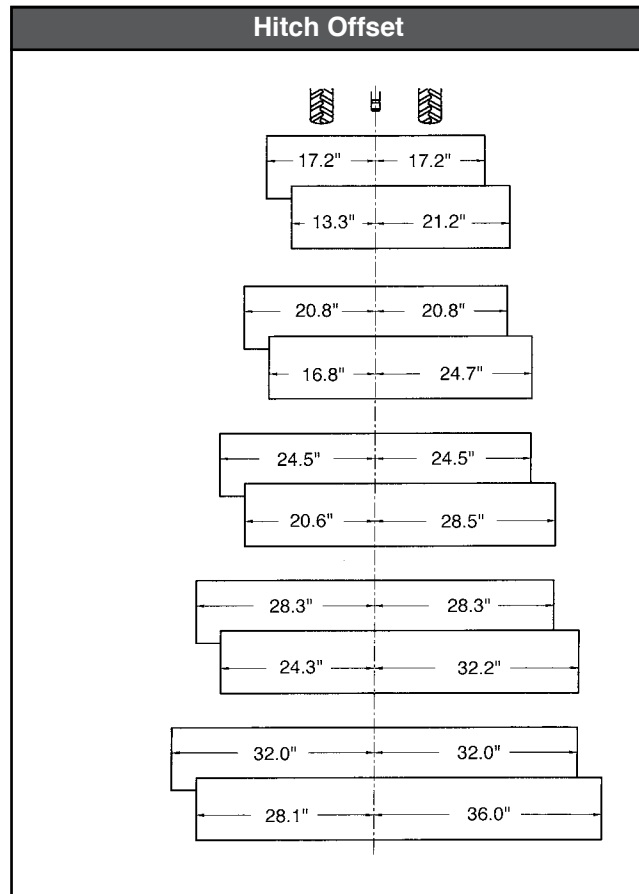


Standard Equipment:

- 30 hp max.
- 540 rpm pto w/ shear bolt protection
- Low maintenance chain side drive.
- Single speed gearbox; Rotor speed is 312 rpm
- 4 blades per flange
- Depth control skids.

Rear View of Model A Tiller

Power from single speed gearbox is transferred to rotor via reliable chain drive. Rotor speed is 312 rpm.



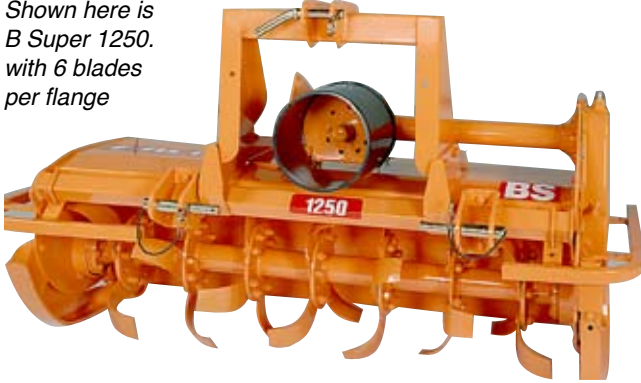
Model	Description	Weight	No of Blades	Price	Back Freight
A 900	36" Till Width Rotary Tiller	352	20	\$2,955.00	\$66.88
A 1100	44" Till Width Rotary Tiller	374	24	3,070.00	71.06
A 1250	50" Till Width Rotary Tiller	396	28	3,141.00	75.24
A 1450	58" Till Width Rotary Tiller	418	32	3,241.00	79.42
A 1650	66" Till Width Rotary Tiller	440	36	3,384.00	83.60

Model B and B Super Rotary Tillers

36 to 72 Inch Tillage Width • For 20 to 50 horsepower • Single Speed Gearbox

Model B and B Super Rotary Tillers

Shown here is B Super 1250. with 6 blades per flange



Standard Equipment:

- For 20 - 50 hp tractors.
- Model B: 4 blades/flange; B Super: 6 blades/flange.
- 540 rpm pto w/ shear bolt protection.
- Rotor speed; 250 rpm.
- Chain side drive.
- Depth control skids standard.

Choice of Four or Six Blades Per Flange

Model B Rotors have four blades per flange. Model B Super is based on the same design except with six blades per flange.

Simple, Reliable Drive System

540 rpm PTO power is shear bolt protected. Single speed gearbox delivers power to rotor via heavy chain drive. Rotor speed is 540 RPM

Hitch Offset	
B 900	18.2" 18.2"
	14.2" 22.1"
B1100	21.5" 21.5"
	17.6" 25.5"
B 1250 B 1250 Super	24.9" 24.9"
	20.9" 28.8"
B 1450 B 1450 Super	28.2" 28.2"
	24.3" 32.2"
B 1550	30.5" 30.5"
	26.6" 34.4"
B 1650 B 1650 Super	32.3" 32.3"
	28.4" 36.3"
B1800 Super	35.5" 35.5"
	31.5" 39.4"

Model	Description	Weight (lbs.)	No of Blades	Price	Back Freight
B 900	Rotary Tiller; 36" till width. 4 blades per flange	430	20	3,592.00	81.70
B 1100	Rotary Tiller; 44" till width. 4 blades per flange	494	24	3,749.00	93.86
B 1250	Rotary Tiller; 50" till width. 4 blades per flange	516	28	3,835.00	98.04
B 1450	Rotary Tiller; 58" till width. 4 blades per flange	542	32	3,950.00	102.98
B 1550	Rotary Tiller; 62" till width. 4 blades per flange	586	36	4,064.00	111.34
B 1650	Rotary Tiller; 66" till width. 4 blades per flange	608	36	4,307.00	115.52
B 1250 Super	Rotary Tiller; 50" till width. 6 blades per flange	539	42	4,193.00	102.41
B 1450 Super	Rotary Tiller; 58" till width. 6 blades per flange	561	48	4,336.00	106.59
B 1550 Super	Rotary Tiller; 62" till width. 6 blades per flange	605	54	4,422.00	114.95
B 1650 Super	Rotary Tiller; 66" till width. 6 blades per flange	638	54	4,493.00	121.22
B 1800 Super	Rotary Tiller, 72" till width. 6 blades per flange	660	60	4,751.00	125.40

Model C Rotary Tiller

52 to 82 Inch Tillage Width • For 40 to 70 horsepower • Single-Speed



Hitch Offset	
C1 1300	26.1" — 26.1"
	22.2" — 30.1"
C1 1500	29.2" — 29.2"
	25.3" — 33.1"
C1 1600	30.9" — 30.9"
	27.0" — 34.9"
C1 1800	36.2" — 36.2"
	32.2" — 40.1"
C1 2100	40.9" — 40.9"
	37.0" — 44.9"

Standard Equipment:

- For 40 to 70 hp tractors.
- 52 to 82: Tillage Width
- Gear side drive
- 540 rpm pto with slip clutch protection.
- Single speed gearbox.
- Rotor rpm: 206.
- Six blades per flange.
- Depth control skids.

Model	Description	Wt (lbs)	Blades	Price	B. Frt
C1 1300	Rotary Tiller; 52" till width. Single gearbox	836	30	5,323.00	158.84
C1 1500	Rotary Tiller; 58" till width. Single gearbox	880	36	5,552.00	167.20
C1 1600	Rotary Tiller; 62" till width. Single gearbox	924	36	5,753.00	175.56
C1 1800	Rotary Tiller; 72" till width. Single gearbox	990	42	5,967.00	188.10
C1 2100	Rotary Tiller, 82" till width. Single gearbox	1056	48	6,211.00	200.64

*C Tiller available with 4 speed gearbox on special, add \$400.00

Model D Rotary Tiller

72 to 100" Tillage Width • For 60 to 100 horsepower • Single-speed or 4-speed Gearbox



Model D Tiller

Pictured: D1-2100

Rear Roller

Optional packer roller



Hitch Offset	
D1/D4 1800	35.7" — 35.7"
	31.7" — 39.6"
D1/D4 2100	40.5" — 40.5"
	36.5" — 44.4"
D1/D4 2300	45.3" — 45.3"
	41.3" — 49.2"
D1/D4 2500	50.2" — 50.2"
	46.3" — 54.2"

Standard Equipment:

- For 60-100 hp tractors
- D1 - single speed gearbox. D4- 4 speed gearbox.
- Gear side drive.
- Standard pto w/ slip clutch and depth control skids
- 6 blades per flange
- Rotor rpm: D1-239; D4- 169, 195, 238, and 276.

D4 Super Gear Ratios				
Pos	Gear Ratio			
	1	● 18	● 19	● 21
2	○ 23	○ 21	○ 19	○ 18
rpm	169	195	238	276

Model	Description	Weight (lbs.)	No of Blades	Price	Back Freight
D4-1600	Rotary Tiller; 62" till width; 4 speed gearbox	1188	36	7,975.00	225.72
D4-1800	Rotary Tiller; 72" till width; 4 speed gearbox	1298	42	8,462.00	246.62
D4-2100	Rotary Tiller; 80" till width; 4 speed gearbox	1408	48	9,091.00	267.52
D4-2300	Rotary Tiller; 90" till width; 4 speed gearbox	1540	54	9,678.00	292.60
D4-2500	Rotary Tiller; 100" till width; 4 speed gearbox	1631	60	10,222.00	309.89
Options					
81128	Pair- depth control wheels w/ mounting brackets	205		\$1,417.00	
Tube Type Rear Cage Rollers:					
80032	Tube type cage roller 62" fits 1600	271		1,331.00	
80028	Tube type cage roller 72" fits 1800	282		1,345.00	
80029	Tube type cage roller 80" fits 2100	293		1,359.00	
80030	Tube type cage roller 90" fits 2300	304		1,374.00	
80031	Tube type cage roller 100" fits 2500	315		1,402.00	
18" Packer Type Cage Rollers:					
80244	Tube type cage roller 62" fits 1600	513		2,619.00	
80240	Tube type cage roller 72" fits 1800	579		2,676.00	
80241	Tube type cage roller 80" fits 2100	623		2,762.00	
80242	Tube type cage roller 90" fits 2300	667		2,876.00	
80243	Tube type cage roller 100" fits 2500	711		2,991.00	

Model EL Rotary Tiller

103 to 123 Inch Tillage Width • For 60 to 120 horsepower • 2-speed Gearbox

Standard Equipment:

- For 60 - 120 hp tractors
- 540 or 1000 rpm PTO
- 2 speed gearbox (1 only on 1000 rpm pto).
- Rotor rpm: 540 rpm PTO - 208, 240;
1000 rpm PTO - 386
- Category II hitch
- Standard PTO with slip clutch.
- Optional equipment includes depth control wheels, depth control skids, cage roller, and packer roller
- Spike-type rotor and straight-blade rotors available.

Model EL Rotary Tiller

Shown Here: Model 2500 with optional Rotoking spike-type rotor



Model E Gear ratios

Position	Gear Ratio			
1	● 24	● 27	● 29	● 32
2	○ 32	○ 29	○ 27	○ 24
540 pto	141 rpm	157 rpm	173 rpm	194 rpm
1000 pto	310 rpm	386 rpm	-	-

CS 1/A
540 rpm pto



Gearbox

Falc gearbox allows four speeds for 540 rpm pto and two for 1000 rpm pto. Gear ratios are shown at left.

Cage Roller

Optional tube-type cage roller. Packer-type roller is also available as an optional attachment

Model	Description	Weight (lbs.)	No of Blades	Price	Back Freight
EL2500	Rotary Tiller; 103" till width; three speed gearbox	1995	60	\$13,366.00	\$379.29
EL3000	Rotary Tiller; 123" till width; three speed gearbox	2260	72	14,438.00	429.64
Options					
81127	Pair- depth control wheels			1088.00	
	Durafaced blades for EL2500; add to list price			+671.00	
	Durafaced blades for EL3000; add to list price			+806.00	
262173	EL3000 pair of trailing board extensions			186.00	
263019	EL3000 kit, front dirt shield			441.00	
Smooth Roller:					
697079	Smooth roller; EL3000			2,146.00	
Tube Type Rear Cage Rollers:					
80033	Tube type cage roller 103". Fits EL2300			1,159.00	
80034	Tube type cage roller 123". Fits EL3000			1,231.00	

Spike type (Rotoking) & Straight blade type (Terraking) rotors Also available on Request. Call for info

Model FL Rotary Tiller

123 Inch Tillage Width • For 80 to 140 horsepower • 3-speed Lever Control Gearbox

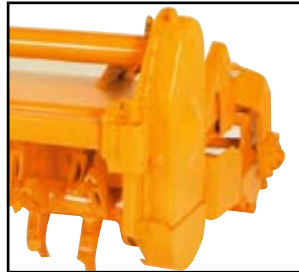
Model FL Tiller

Model FL3000, shown equipped with optional Rotok-ing spike rotor



Standard Equipment:

- For 80 - 140 HP Tractors
- 1000 RPM PTO
- 3 Speed lever-control gearbox. Rotor speeds - 233, 287, and 350 rpm.
- Gear Side Drive
- Category II hitch
- Rear PTO
- PTO shaft with torque limiter
- Optional equipment includes depth control wheels, depth control skids, cage roller, and packer roller
- Spike-type rotor and straight-blade rotors available.



Cage Roller

Optional tube-type cage roller. Packer-type roller is also available.

Gearbox

Three Speed lever control gearbox is designed for 1000 rpm pto operation.

Gear Side Drive

Low maintenance heavy-duty gear side drive provides power to rotor.

Three-Point

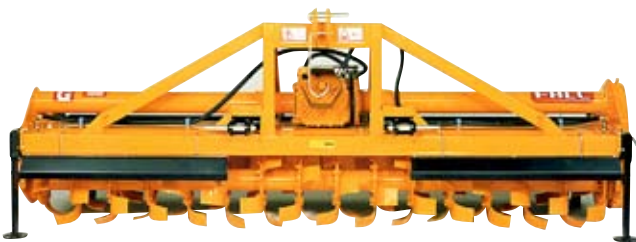
Category II Three point hitch is standard equipment.

Model	Description	Weight (lbs.)	No of Blades	Price	Back Freight
FL3000	Rotary Tiller; 123" till width; three speed gearbox	2646	72	17,072.00	502.74
Options					
81129	Pair- depth control wheels	286		\$1,760.00	
81135	Pair- depth control skids			229.00	
Tube Type Rear Cage Rollers:					
80020	Tube type cage roller 123"	462		1,574.00	
18" Packer Type Cage Rollers:					
80225	Packer type cage roller 123"	748		3,005.00	

Spike type (Rotoking) & Straight blade type (Terraking) rotors Also available on Request. Call for info

Model GL Rotary Tiller

96 to 182 Inch Tillage Width • For 120 to 220 horsepower



◀ **Model G**
G4000 shown, left.

▼ **Oil Cooler**
Oil cooler kit is standard on 4000 and 4500.



▲ **Rear Roller**
Shown here is optional 18" packer roller. A larger diameter 22" packer roller and tube-type cage roller are also available

Standard Equipment:

- For 120 - 220 horsepower tractors.
- 1000 rpm pto w/ torque limiter
- Single speed gearbox. Rotor rpm - 290, other speeds available on request.
- Oil cooler std 4000-4500, optional on 3000-3500.
- Category II/III hitch

Model	Description	Weight (lbs.)	No of Blades	Price	Back Freight
GL3000	Rotary Tiller; 122" till width; two speed gearbox	3263	66	20,707.00	586.34
GL3500	Rotary Tiller; 142" till width; two speed gearbox	3715	78	23,912.00	586.34
GSL4000	Rotary Tiller; 162" till width; two speed gearbox	4277	90	29,121.00	586.34
GSL4500	Rotary Tiller; 182" till width; two speed gearbox	4674	102	30,194.00	586.34
Options					
81129	Pair- depth control wheels	286		1,760.00	
81135	Pair- depth control skids			229.00	
	Oil Cooler Kit - G2500 - GL3500. Factory Installed			1,360.00	
Tube Type Rear Cage Rollers:					
80529	Tube type cage roller 122"	462		1,574.00	
80530	Tube type cage roller 142"	528		1,789.00	
80517	Tube type cage roller 162"	836		2,805.00	
80518	Tube type cage roller 182"	924		3,034.00	
18" Packer Type Cage Rollers:					
80229	18" Diameter packer type cage roller 122"	748		3,191.00	
22" Packer Type Cage Rollers:					
80734	22" Diameter packer type cage roller 122"	1078		4,035.00	
80735	22" Diameter packer type cage roller 142"	1188		4,608.00	
80724	22" Diameter packer type cage roller 162"	1320		5,166.00	
80725	22" Diameter packer type cage roller 182"	1452		5,724.00	

Spike type (Rotoking) & Straight blade type (Terraking) rotors Also available on Request. Call for info

Gamma Folding Rotary Tiller

198 to 237" Tillage Width • 110" Transport Width • For 180 to 380 Horsepower Tractors



Standard Equipment:

- Rear trailing board extensions
- 380 HP rated, single speed gearbox with oil cooler
- Dual end drives
- 1000 rpm pto with torque limiter
- 330 rpm rotor
- Durafaced tiller bades; 6 blades per flange
- Quick hitch compatible Cat III hitch
- Also available with spike rotor.
- Double rotor flanges.

Model	Description	Wt (lbs)	Blades	Price	B. Frt
Gamma 5000	Folding Rotary Tiller; 198" till width	9017	120	62,131.00	1,709.00
Gamma 6000	Folding Rotary Tiller; 237" till width	9899	144	64,233.00	1,876.00
Options					
80565	Tube type cage roller 212"			4,121.00	
80566	Tube type cage roller 252"			4,507.00	
80731	Packer roller 212"			7,226.00	
80732	Packer roller 252"			8,085.00	

Kappa Rotary Tiller

162 to 250" Tillage Width • For 190 to 300 horsepower • 3-speed Lever Control Gearbox



Kappa Rotary Tiller

Dual rotor Kappa 6000, equipped with optional Rotoking spike rotor

Standard Equipment:

- For use with 190-300 hp Tractors
- 1000 rpm pto with torque limiter
- 3-speed lever control gearbox. Rotor speeds - 246, 308, and 356 rpm.
- Cat III hitch & Rear PTO
- Optional equipment includes depth control wheels, depth control skids, cage roller, and packer roller
- Spike-type rotor and straight-blade rotors available.
- Double wall rotor tube on 4000 & 4500.



Cage Roller

Optional tube-type cage roller. Packer-type roller is also available.



Gearbox

3-speed lever control gearbox for 1000 rpm pto. Oil cooler standard.



Gear Side Drive

Low maintenance gear side. Kappa 6000 features dual drive.



Three-Point

Category III Three point hitch is standard equipment.

Model	Description	Wt (lbs)	Blades	Price	B. Frt
Kappa 4000	Rotary Tiller; 162" till width	5798	96	38,150.00	1101.62
Kappa 4500	Rotary Tiller; 182" till width	6547	108	39,352.00	1243.93
Kappa 6000 DT/2	Rotary Tiller; 250" till width	7760	144	52,117.00	1474.40
Options					
81129	Rubber depth wheels			1,834.00	
80517	Tube type cage roller 162"			2,928.00	
80518	Tube type cage roller 182"			3,174.00	
80520	Tube type cage roller 250"			3,729.00	
80724	22" diameter packer roller 162"			5,394.00	
80725	22" diameter packer roller 182"			5,979.00	
80727	22" diameter packer roller 250"			8,445.00	

Spike type (Rotoking) & Straight blade type (Terraking) rotors Also available on Request. Call for info

Model 200B Rotavator

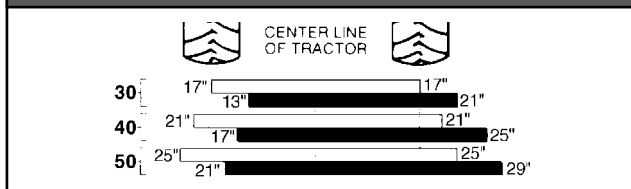
Replaces HR3 • 30 to 50" Tillage Width • For 10 to 20 HP • Single Speed Gearbox



The 200B Rotavator offers the weekend gardener and home landscaper features normally found only in larger tillers. It tills perfect seedbeds for gardens, lawns or flower beds, while mixing in fertilizer. It controls weeds and trees, and can prepare sites for patios or walkways. And its low power demand is perfect for smaller tractors.

- Four blades per flange type 9941/9942
- Single speed gearbox; 540 rpm pto with slip clutch
- Cat 0 and I three-point hitch with movable brackets
- 1" chain side drive
- Adjustable skids for depth control
- Rotor speed 230 rpm

Offset Adjustment



Model	Till Width	No. of Blades	HP Req.	Wt (lbs.)	List Price
200B-085	34"	16	12-16	290	\$2,144.00
200B-105	42"	20	14-18	320	2,227.00
200B-125	50"	24	16-20	350	2,312.00

Model 300B Rotavator

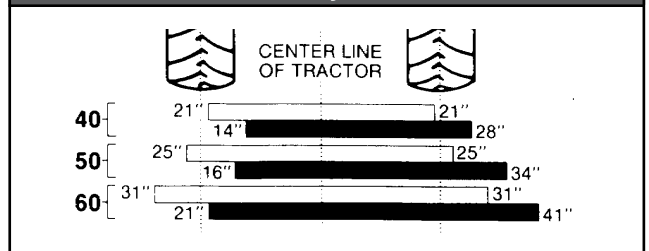
Replaces HR7 • 40 to 60" Tillage Width • For 15 to 35 HP • Single Speed Gearbox



The 300B Series Rotavator is ruggedly built, economically priced, and loaded with the features that ensure dependable performance! Slip clutch protection standard. Precise depth control via twin skids standard or optional front wheels. Versatile tillage control with the fully adjustable trailing shield.

- BU has 4 blades/flange. B has 6 blades/flange.
- 665149/665150 'C' type blade std.
- Slip clutch PTO
- Comes with depth control skids & parking stand
- Cat I & Cat. 0 Hitch; Manual Offset
- Rotor speed: 232 rpm

Offset Adjustment

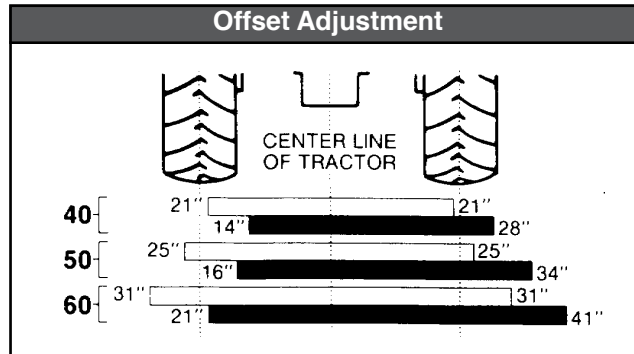


Model	Till Width	No. of Blades	HP Req.	Wt lbs.	List Price
300B-100U	40"	16	15-30	365	\$2,788.00
300B-100	40"	24	15-30	376	3,013.00
300B-125U	50"	20	25-30	400	2,889.00
300B-125	50"	30	25-30	415	3,013.00
300B-150U	60"	24	25-35	435	2,236.00
300B-150	60"	36	25-35	455	3,257.00
Options					
71010182228	Front wheels (pair) In lieu of skids			9	728.00

F.O.B. DIXON

Model 300S Rotavator

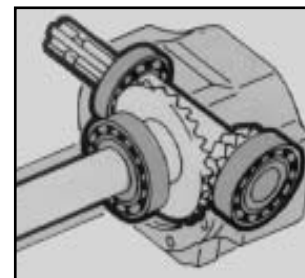
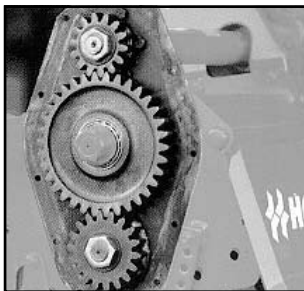
Replaces HR12 • 40 to 60" Tillage Width • For 15 to 45 HP • Single Speed Gearbox



The 300S series obtains the best weight-strength relationship to get a light machine with a low horsepower requirement capable of handling heavy forces. The 300S is ideal for asparagus, vineyards, nurseries, and greenhouses. It is rugged enough for farmers, but economical enough for commercial nursery and landscaping operations. Slip clutch protection is standard. This model is reinforced to handle intense use in all types of fields.

Features:

- 665149/665150 'C' Type Blades. Six Blades Per Flange
- Slip Clutch PTO
- Single Speed Gearbox 230 RPM @ 540 PTO. All Gear Side Drive
- Depth Control Skids
- Rotor speed: 230 rpm.
- Cat I hitch



Gear Side Drive

Gear drive provides durability and allows use with higher horsepower tractors.

Depth Control Skids

A pair of skids provide precise depth control. Depth control wheels are optional.

Six Blades Per Flange

Six blades per flange for penetration in all soil. Skids adjust for desired tillage depth.

Single Speed Transmission

Howard's gearbox is withstands extreme demands for excellent long term reliability.

Model	Working Width	Overall Width	No. of Blades	Rotor Speed	Tractor HP	Weight (lbs.)	List Price
300S-100	40"	45"	24	232 rpm	15 - 30	436 lbs.	\$3,979.00
300S-125	50"	55"	30	232 rpm	25 - 35	458 lbs.	4,062.00
300S-140	55"	61"	33	232 rpm	30 - 40	469 lbs.	4,284.00
300S-150	60"	66"	36	232 rpm	35 - 45	480 lbs.	4,415.00
Options							
74FAN30005	Front Wheels (Pair) in lieu of skids						728.00
71000665065	Reverse rotation gearbox (field installed)						873.00

F.O.B. DIXON

Model 400S Rotavator

Replaces HR16 • 50 to 80" Tillage Width • For 30 to 65 HP • Single Speed Gearbox

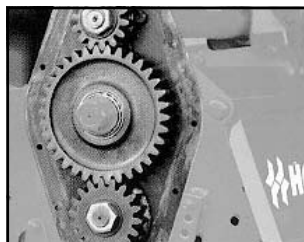
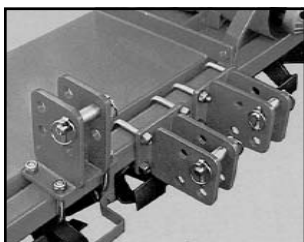
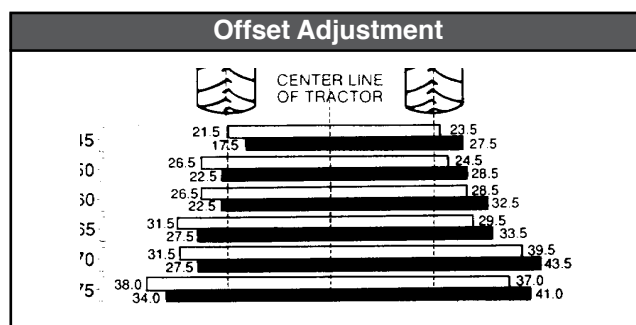


The 400S Rotavator is a light tiller capable of working in hard conditions. It is ideal for use in landscaping, nurseries, orchards, vineyards, and farms. Tillage depth is adjustable up to 7" using twin depth control skids. The side drive is gear-driven for extra strength and durability. A heavy duty rotor, and six Howard blades per flange make it effective even in compacted soils.

The 400S can be mounted centrally behind the tractor or manually offset for a variety of tillage tasks. For quality, features, and price, your best value is a Howard.

Standard Equipment:

- Basic Tiller (Gear Drive) With 6 Blades Per Flange
- 9900/9901 'L' Type Blade Standard
- Slip Clutch PTO
- Single Speed Gearbox: 225 RPM at 540 PTO
- Depth Control Skids
- Heavy duty gear side drive
- Cat I & II three-point hitch
- Heavy Duty chassis supported by double tube assembly.



Adjustable Mounts

Three positions of mounting plates to fit many tractors. Adjustable for side offset.

Gear Side Drive

All gear side drive is more durable than lighter chain side drives

Heavy Duty Gearbox

The 400S single speed gearbox is both reliable and highly efficient.

Trailing Board

Curved trailing board provides an even, smooth finish of the working area.

Model	Working Width	Overall Width	No. of Blades	Rotor rpm	Tractor HP	Weight (lbs.)	List Price
400S-130M	51"	61"	30	220	30-50	605 lbs.	\$4,376.00
400S-140M	55"	63"	33	220	35-55	638 lbs.	4,637.00
400S-155M	61"	70"	36	220	40-55	671 lbs.	4,814.00
400S-165M	65"	73"	39	220	40-60	704 lbs.	4,868.00
400S-180M	71"	80"	42	220	45-60	737 lbs.	5,049.00
400S-205M	80"	89"	48	220	50-65	803 lbs.	5,312.00

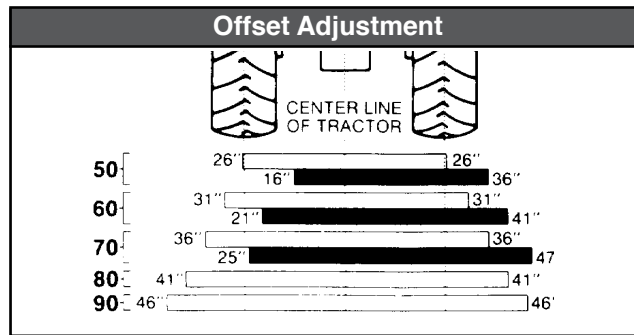
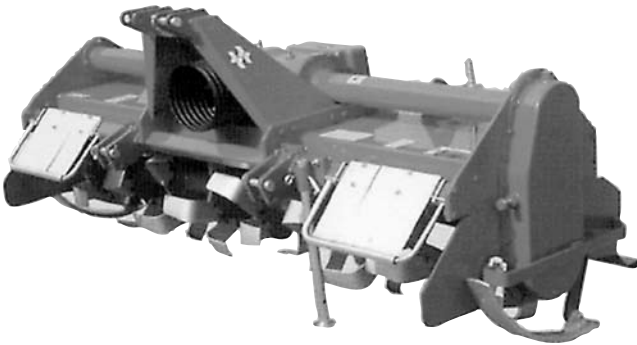
Options

7FAN400026	Front Wheels (pair in lieu of skids)		886.00
------------	--------------------------------------	--	---------------

F.O.B. DIXON

Model 500B Rotavator

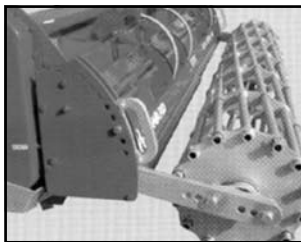
50 to 80" Width • For 45 to 85 HP • Single-Speed or Selectatilt Gearbox



The HR500B Rotavator prepares seedbeds in fewer passes with less soil compaction than conventional tillage implements. It chops and blends crop residues into the seedbed to build humus and improve soil structure. And it offers a wide choice of options -- six tillage widths from 40" to 90"; single speed or multi-speed Selectatilt gearbox; plus twin skid or wheel depth control. A cage roller is available for 80" models.

Standard Features:

- Basic Tiller With 6 Blades Per Flange
- 3900/3901 'L' Type Blade Standard
- Slip Clutch PTO
- Manual Offset
- 200 rpm single speed gearbox or 4 speed Selectatilt gearbox available
- Parking stand & depth control skids are standard.



Effective Tilling

The Rotavator provides the most effective system for trash and residue incorporation.

Trailing Board

Spring-loaded for a perfect finish. Optional roller clears tractor marks, firms & levels

Heavy Duty Gearbox

'M' models feature single speed gearbox. 'S' models feature selectatilt gearbox.

Slip Clutch

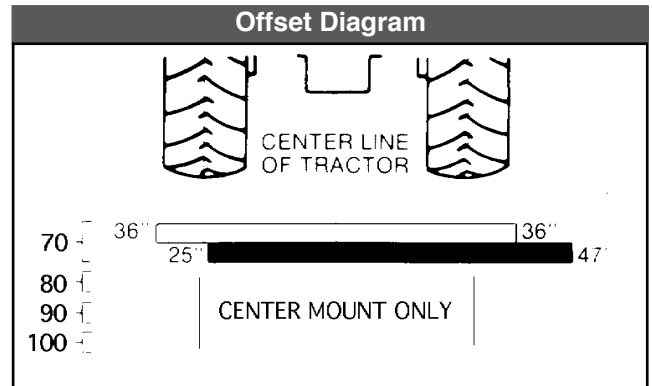
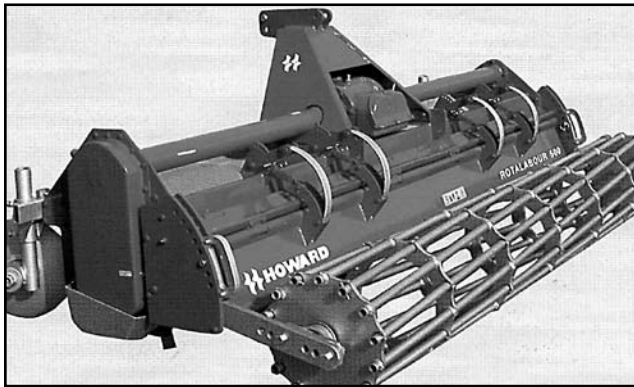
Adjustable safety clutch protects both tractor and tiller against overloads.

Model	Working Width	Overall Width	No. of Blades	Gearbox rpm	Tractor HP	Wt (lbs.)	List Price
500B-130M	50"	63"	30	Single speed: 210	45-60	946	\$6,842.00
500B-130S	50"	63"	30	Selectatilt: 175 / 195 / 220 /240	45-60	946	8,008.00
500B-155M	60"	72"	36	Single speed: 210	50-70	1056	7,087.00
500B-155S	60"	72"	36	Selectatilt: 175 / 195 / 220 /240	50-70	1056	8,261.00
500B-180M	70"	82"	42	Single speed: 210	60-75	1166	7,560.00
500B-180S	70"	82"	42	Selectatilt: 175 / 195 / 220 /240	60-75	1166	8,754.00
500B-205M	80"	88"	48	Single speed: 210	70-85	1276	7,998.00
500B-205S	80"	88"	48	Selectatilt: 175 / 195 / 220 /240	70-85	1276	9,216.00
Optional Equipment							
500149	Front Depth Wheels (Pair)					40	1,126.00
867320	80" Cage Roller (Need 181652 to complete)					140	1,598.00
500022	Pair rear depth control wheels						2,368.00

F.O.B. DIXON

Model 500S Series

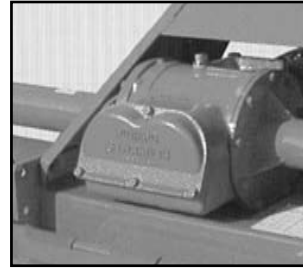
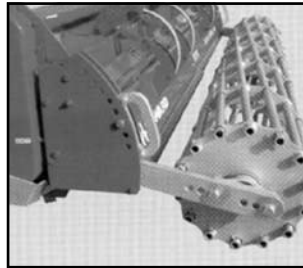
70 to 100" Width • For 60 to 100 HP • Single-Speed or Selectatilt Gearbox



The 500 Series brings new economy and flexibility to tillage operations. Economy because it finishes tough tillage jobs in a single pass. Flexibility because it can be used for seedbed preparation, weed control, chopping and mixing crop residues, plus chemical incorporation. An exclusive depth control system streamlines fall-to-spring changeover. Simply plug in the cage roller instead of wheels. Whatever your need, you can depend on the 500S-M for reliable performance.

Standard Equipment:

- Basic tiller with 6 Blades per flange
- Gear side drive
- 3900/3901 'L' Type Blade Standard
- Slip Clutch PTO
- Depth control skids standard, Depth wheels optional
- Parking stand included
- Choose from single speed gearbox or four-speed Selectatilt gearbox



Effective Tilling

The Rotavator provides the most effective system for trash and residue incorporation.

Trailing Board

Spring-loaded for a perfect finish. Optional roller removes marks, firms and levels bed

Heavy Duty Gearbox

'M' models have single speed gearbox. 'S' models feature 4-speed Selectatilt gearbox.

Slip Clutch

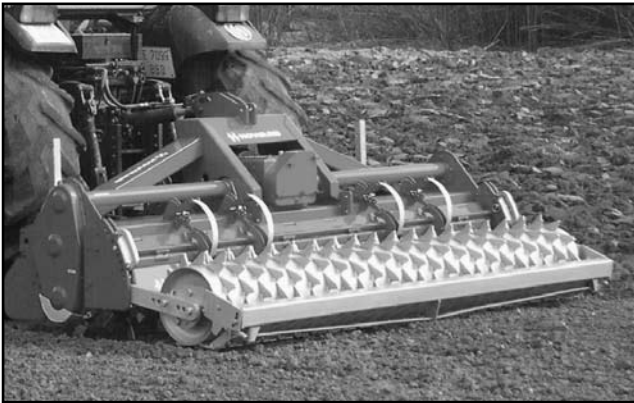
Adjustable safety clutch protects both tractor and tiller against overloads.

Model	Working Width	Overall Width	No. of Blades	Gearbox rpm	Tractor HP	Wt (lbs.)	List Price
R500S-180M	71"	82"	42	Single Speed: 210	60-75	1210	\$10,482.00
R500S-180S	71"	82"	42	Selectatilt: 175 / 195 / 220 / 245	60-75	1210	11,387.00
R500S-205M	81"	88"	48	Single Speed 210	70-85	1320	10,952.00
R500S-205S	81"	88"	48	Selectatilt: 175 / 195 / 220 /	70-85	1320	11,909.00
R500S-230M	91"	102"	54	Single Speed: 210	75-90	1430	11,389.00
R500S-230S	91"	102"	54	Selectatilt: 175 / 195 / 220 /	75-90	1430	12,408.00
R500S-255M	100"	112"	60	Single Speed: 210	85-100	1540	11,600.00
R500S-255S	100"	112"	60	Selectatilt: 175 / 195 / 220 / 245	85-100	1540	12,643.00

F.O.B. DIXON

Model 600S Rotavator

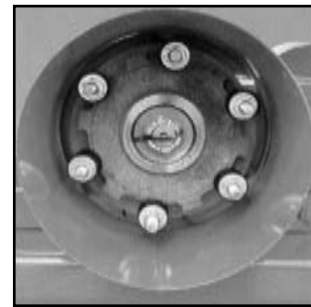
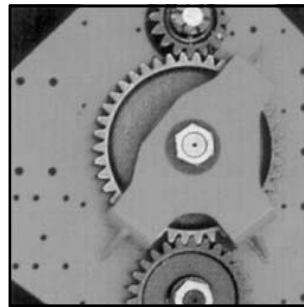
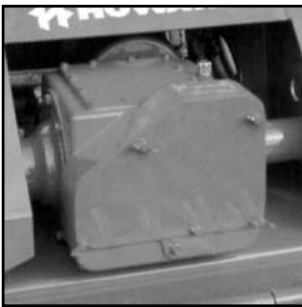
70 to 140" Width • For 80 to 180 HP • Lever-Change or Selectatilh Gearbox



The 600S series Rotavator can be ordered with Selectatilh or lever-change gearbox. Rotor speeds with Selectatilh are 219, 237, 278, and 302 rpm. Rotor speeds with the lever change box are 219, 246, and 277 rpm. Tubular braces strengthen the tiller body.

Standard Features:

- Tiller comes equipped with 6 blades per flange.
- 9950 / 9951 'C' type blades standard
- Slip clutch PTO
- Depth control wheels
- Parking Stand
- Center mount only



Model 600S-S Gearbox

Four speed Selectatilh gearbox is designed for heavy-duty use. This gearbox allows the 600S to be mounted to tractors up 180 Engine HP.

Model R600S-D Gearbox

This model is equipped with a robust lever change gearbox with an integral oil cooling system. For tractors up to 180 Engine HP.

Heavy Gear Side Drive

Robust and compact gear side drive provides reliable power transfer. The idler gear support provides rigidity and ensures gear alignment.

Slip-Clutch Protection

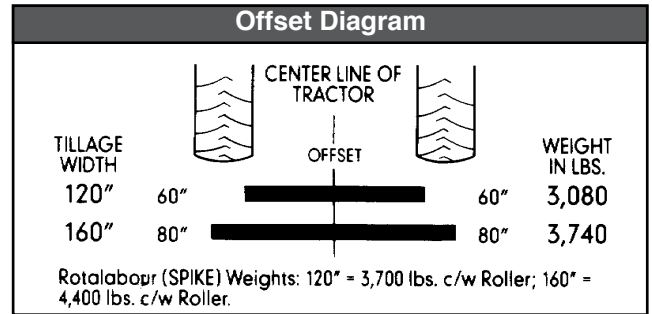
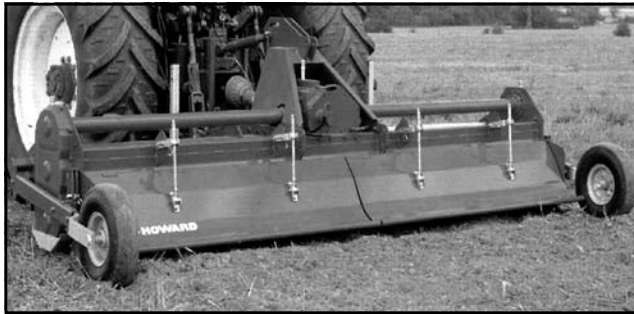
Four plate sintered bronze safety clutch protects both tractor and tiller against overloads. Adjustable to suit tractor power and application.

Model	Till Width	Total Width	No. of Blades	Depth Control	Gearbox rpm	Tractor HP	Wt (lbs.)	List Price
600S-180S	70"	83"	42	skids	Selectatilh: 219 / 237 / 278 / 302	80-130	1650	\$12,840.00
600S-205S	80"	93"	48	skids	Selectatilh: 219 / 237 / 278 / 302	90-140	1804	13,819.00
600S-230S	90"	102"	54	skids	Selectatilh: 219 / 237 / 278 / 302	100-150	2035	14,786.00
600S-255S	100"	112"	60	skids	Selectatilh: 219 / 237 / 278 / 302	100-160	2332	15,742.00
R600S-255D	100"	112"	60	wheels	Selectatilh: 219 / 237 / 278 / 302	100-160	2332	19,744.00
600S-280S-R	110"	120"	66	wheels	Selectatilh: 219 / 237 / 278 / 302	110-170	2365	18,683.00
R600S-280D	110"	120"	66	wheels	Lever Change: 219 / 246 / 277	110-170	2442	21,604.00
600S-305S	120"	132"	72	wheels	Selectatilh: 219 / 237 / 278 / 302	120-180	2618	20,000.00
R600S-305D	120"	132"	72	wheels	Lever Change: 219 / 246 / 277	120-180	2618	22,797.00
600S-355S	140"	152"	84	wheels	Selectatilh: 219 / 237 / 278 / 302	130-180	2882	22,098.00
R600S-355D	140"	152"	84	wheels	Lever Change: 219 / 246 / 277	130-180	2882	24,894.00

F.O.B. DIXON

Model HR700S Rotavator

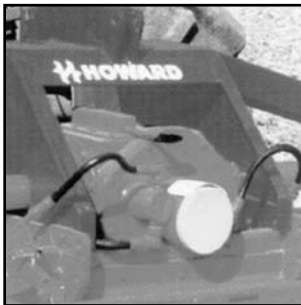
Replaces HR 51 • 100 to 160" Width • For 100 to 220 HP • Lever-Change Gearbox



As the heaviest model in the Howard Rotavator line, the Model HR700S has been designed for tough jobs: construction, pasture renovation, and row crop agriculture. It's built tough with a heavy duty oil-cooled gearbox and dual side drive for reliable operation. Rotor bearings are protected with face seals for 2 to 3 times the life as plain oil seals. Heavy duty chassis construction features triple-tube main frame and double plated hull.

Features:

- Basic Tiller With 6 Blades Per Flange
- Category II & III Quick Hitch
- Lever-change gearbox allows 185, 210 & 235 RPM
- Gear Drive On Both Sides
- Oil Cooling Device
- Slip Clutch 1000 RPM PTO
- 762719/762720 'L' Type Blade Standard



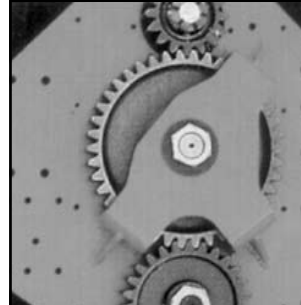
Lever-Change Gearbox

Three speed lever change gearbox. Oil circulation system pumps oil through the front square tube of the hull, where it is cooled. Gears and bearings are then bathed in



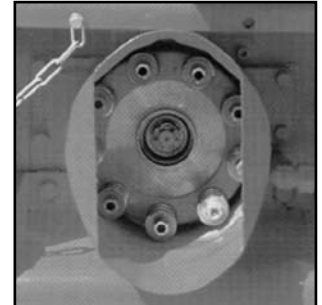
Quick-Couple 3-Point Hitch

Quick coupling hitch provides fast, easy mounting and dismounting to your tractor. Designed for use with Category II and Category III tractors.



Dual Gear Side Drive

Robust and compact gear side drive provides reliable power transfer. The "Y" bracket idler gear support provides rigidity and insures gear alignment.



Slip-Clutch Protection

PTO is equipped with heavy-duty friction clutch provides protection for both tractor and tiller. The clutch may be adjusted to suit tractor power and application.

Model	Working Width	Overall Width	No. of Blades	Gearbox rpm	Tractor HP	Wt (lbs.)	List Price
R700S-255D	100"	122"	60	Lever Change (180 / 210 / 235)	100-180	2750	\$27,907.00
R700S-305D	120"	141"	72	Lever Change (180 / 210 / 235)	110-190	3080	29,129.00
R700S-355D	140"	161"	84	Lever Change (180 / 210 / 235)	120-200	3410	30,391.00
R700S-405D	159"	181"	96	Lever Change (180 / 210 / 235)	130-220	3740	33,040.00

F.O.B. DIXON

Maschio Model L Tillers

Tillage Width: 33" to 49" • For tractors 10 to 25 hp

This tiller for compact tractors has features of the larger machines. Shown in picture at right with safety guards.

Standard Equipment:

- Single speed gearbox. 540 rpm pto produces rotor speed of 254 rpm
- PTO shaft with slip clutch
- Parking stand
- Chain side drive
- Cat I three point hitch
- 4 blades per flange with outside blades mounted outward
- Tiller offsets on hitch keeping the pto shaft and gearbox straight



Model	HP	Work Width	Overall Width	Mounting	No. of Blades	Wt (lbs)	List Price
L85	10-15	33.5	38.2	16.7 16.7	16	260	1,639.00
				14.8 18.7			
L105	15-18	41.3	46.1	20.7 20.7	20	286	1,660.00
				16.7 24.6			
L115	18-20	45.3	53.9	22.6 22.6	20	299	1,695.00
				14.8 30.5			
L125	20-25	49.2	61.8	24.6 24.6	24	321	1,735.00
				16.7 32.5			

F.O.B. DIXON



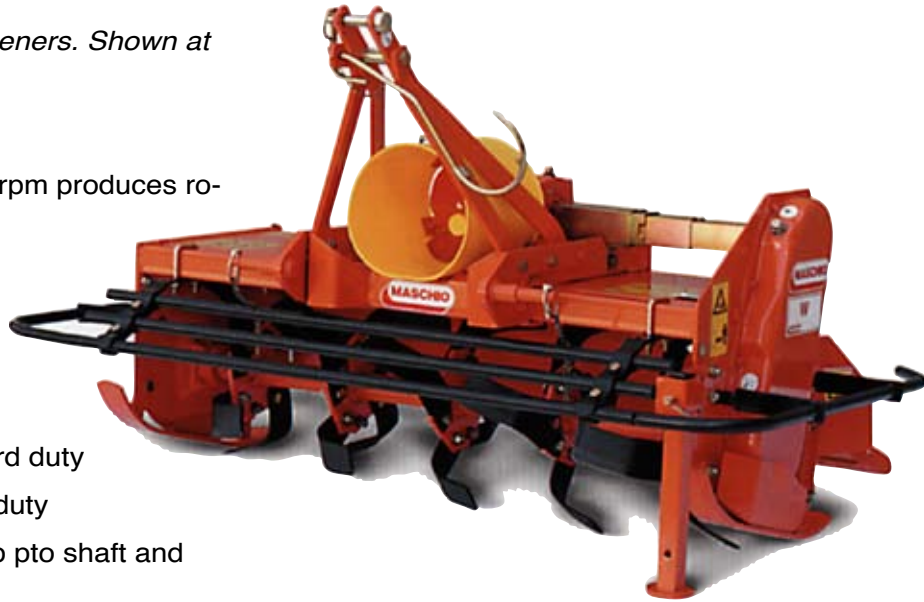
Maschio Model W & WHD Tillers

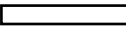


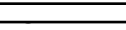
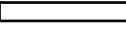

Tillage Width: 42" to 65" • For tractors 15 to 40 hp

Ideal for landscapers and gardeners. Shown at right with safety guards.

Standard equipment:

- Single speed gearbox 540 rpm produces rotor speed of 208 rpm
- PTO shaft with slip clutch
- Parking Stand
- Chain side drive
- Cat I three-point hitch
- 4 blades per flange standard duty
- 6 blades per flange heavy duty
- Tiller offset on hitch to keep pto shaft and gearbox straight



Model	HP	Work Width	Overall Width	Mounting	No. of Blades	Wt (lbs)	List Price
W105 1,924.00	15-20	41.3	46.1	20.7  20.7	20	363	
W105HD 2,019.00	15-20	41.3	46.1	20.7  40.6	30	383	
W125 1,982.00	20-25	49.2	49.2	24.6  24.6	24	407	
W125HD 2,077.00	20-25	49.2	49.2	24.6  40.5	36	431	
W145 2,045.00	25-35	57.1	61.8	28.5  28.5	28	429	
W145HD	25-35	57.1	61.8	28.5  48.3	42	457	

F.O.B. DIXON

MT Three-Point Dusters

Solex Dusters Provide Reliable Powder Treatment for your Vineyard



MT-1002

3-pt duster; 200 lb. hopper

The Solex DTE duster is a compact three-point mount design for efficient low-maintenance powder application.

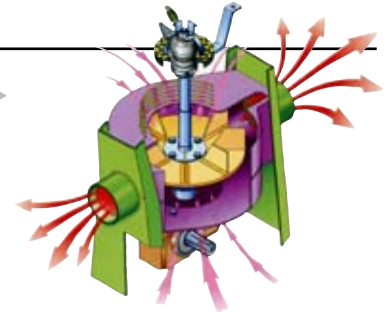
It features a conical gravity-feed hopper with 200 lb capacity. This hopper has a large opening with double-vented screw-on lid that makes fillups easy. Inside, a vibrating agitator prevents material from bridging in hopper, ensuring that dust will flow smoothly.

11" Double centrifugal fan delivers high velocity airflow for thorough coverage. Dosage is adjustable from 0 to 20 lbs per minute with rate adjustment lever. The DTE receives pto power through an oil-bathed gearbox with a 1:6 gear ratio.

Details		
	A	42 in
	B	25 in
	Width	53 in
	Weight	125 lbs
	Capacity	200 lbs
	HP	10
	Fan	11" Centrifugal
	Air Vol	1312 CFM
	Dosage	lever adjust

Centrifugal Fan

11" Fan
Provides 1312 cubic feet of air volume



Vibrating Agitator

Vibration Agitator keeps material flowing smoothly and prevents bridging in hopper.

FEATURES

- Compact steel chassis and fan housing
- Smooth-running oil-bathed gearbox with 1:6 gear ratio
- High volume 11" centrifugal fan
- Rate control system with simple lever control.
- Safety Grill confirms to workplace safety regulations
- Outlets – Each with individual shutoff valve
- Poly hopper with vibrating agitator for smooth delivery
- Large opening with double-vented lid for easy fillup.

Model	Description	Wt	Price
MT-1002	Three point Duster, 200 lb. capacity	125 lbs.	\$2116.00

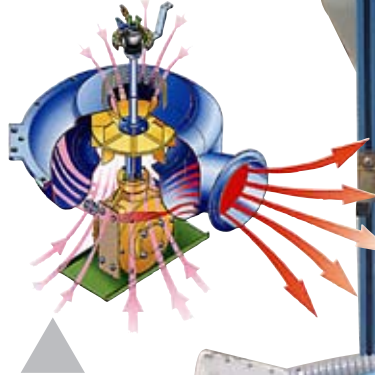
PRICES ARE F.O.B. DIXON

DTS Three-Point Dusters

Sorex Dusters Provide Reliable Powder Treatment for Vineyard or Row crop.

DTS-1002

Three-point mount with 500 lb hopper



The Sorex DTS duster is a three-point mount design for efficient low-maintenance powder application.

It features a conical gravity-feed polyethylene hopper. This hopper has a large opening with double-vented screw-on lid that makes fillups easy. A vibrating agitator prevents material from bridging in hopper, ensuring that dust will flow smoothly.

The DTS has dual 15" centrifugal fans which deliver high velocity airflow -- 8475 cubic feet per minute -- for excellent coverage.

Rate adjustment is achieved via a simple lever control that provides 8 different levels of application and allows each side to be independently regulated. This allows you to apply dosages from 0 to 0.5 cubic feet per minute.

The DTS receives pto power through an oil-bathed gearbox that has a 1:7 gear ratio.

DTS Fan

Two Fans Provide 8475 cubic feet of air volume for superior coverage.

Capacity	Outlets	Fan	Gear Ratio	Agitation	Dosage	HP	Adjustment
500 lbs.	Two Universal Type	Dual 18" Centrifugal	1:7	Vibration Agitator	0 to 180 lbs/ acre	16	8 settings Each Side Independently Adjustable

10 Outlet Row Crop Boom Kit: Provides 5 rows of coverage, with 2 outlets for each row



Model	Description	Wt.	Price
DTS-250	Three Point Duster - 500 lb. hopper	320 lbs.	\$6,226.00
Boom Kits:			
MNI013003	5 row boom, 2 outlets per row		\$5,661.00

PRICES ARE F.O.B. DIXON

DTSS Three-Point Dusters

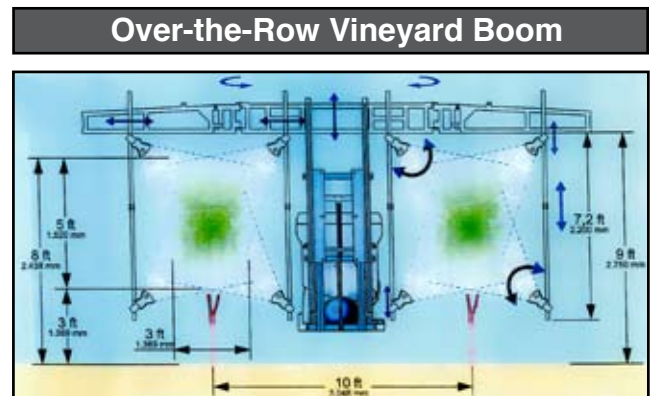
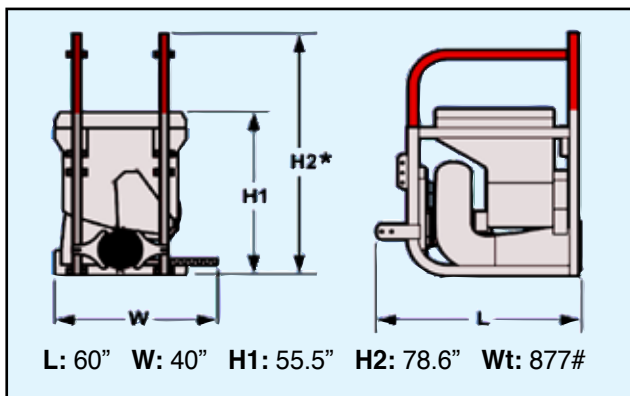
Solex Dusters Provide Reliable Powder Treatment for your Vineyard or Row Crop



- Sturdy stainless steel three point mount frame
- Single 200mm diameter universal outlet.
- 1:7.5 ratio gearbox with 3-shoe centrifugal clutch for smooth, progressive starting.
- Hydraulic remote rate control.
- Hopper and blower housing are constructed of high-density, reinforced polyethylene.
- Material is fed with a hydraulic auger feed system with mixing shutoff for transport.
- Stainless steel hopper screen prevents material clumping. Hopper lid is also stainless steel. Side step allows easy access to top of hopper.
- Various outlet options available

Capacity	Outlets	Fan	Gear Ratio	Weight	Agitation	Dosage
1000 Lbs	Four adjustable per row	20" Double Fan	1:7.5	877 lbs	Hydraulic Drive Agitation	0 to 180 lbs per acre

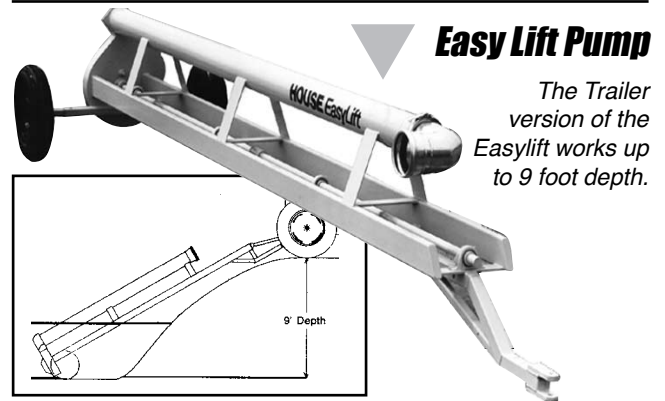
DIMENSIONS



Model	Description	Wt.	Price
DTSS-550	Three Point Duster - 1000 lb. hopper	877 lbs.	\$10,904.00
Boom Kits:			
1270022104	2 row over the row vineyard boom		10,629.00
1270020243	Row crop boom for DTSS dusters-5-60" rows, 2 outlet per row.		8,108.00

Easylift Trailer Pumps

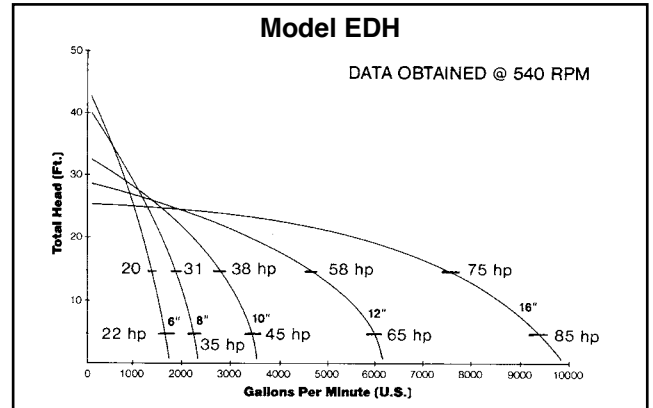
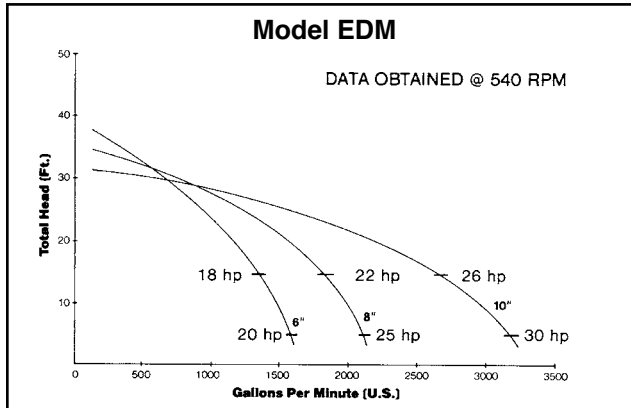
24 Foot Length • Trailer Pull Model • 6 - 16" diameter • Up to 9500 gallons per minute



Easy Lift Pumps are made for the farmer who needs to use his water supply to the maximum, but without expensive specialized pumping equipment. Designed for water sources with sloping embankments Easylift Pumps feature excellent trash handling capabilities, discharge sizes from 6" to 16", GPMs from 1500 to 9500, heads to 45', high-strength rectangular

tube construction and a clevis hook-up. Impellers are designed for 540 RPM PTOs on 6-10" models or 1000 RPM on 12-16" models. With all models, a rotational 90° elbow is provided for attaching aluminum pipe; optional discharge for flexible rubber pipe is available.

Specifications and Pricing Information



Model	H.P.	Size	GPM	Shaft	Length	Weight	B. Frt.	Price
Medium Duty Trailer Pumps								
ED6M	20	6"	1500	1-1/2"	24'	1220	\$1,085.80	\$8,675.00
ED8M	25	8"	2000	1-1/2"	24'	1260	1,121.40	9,286.00
ED10M	30	10"	3000	1-1/2"	24'	1300	1,157.00	10,386.00
Heavy Duty Trailer Pumps								
ED6H	22	6"	1800	2"	24'	1440	\$1,281.60	\$9,623.00
ED8H	35	8"	2500	2"	24'	1470	1,308.30	10,286.00
ED10H	45	10"	3500	2"	24'	1520	1,352.80	11,107.00
ED12H	65	12"	5000	2"	24'	1580	1,406.20	11,922.00
ED16H	85	16"	9500	2"	24'	1730	1,539.70	13,002.00



Easylift III Three Point Pumps

13 Foot Length • Three Point Mount • 6 - 12" diameter • Up to 5000 gallons per minute

Easy Lift Pumps are made for the farmer who needs to use his water supply to the maximum, but doesn't want to invest in expensive specialized pumping equipment. The Easylift series is designed for water sources with sloping embankments.

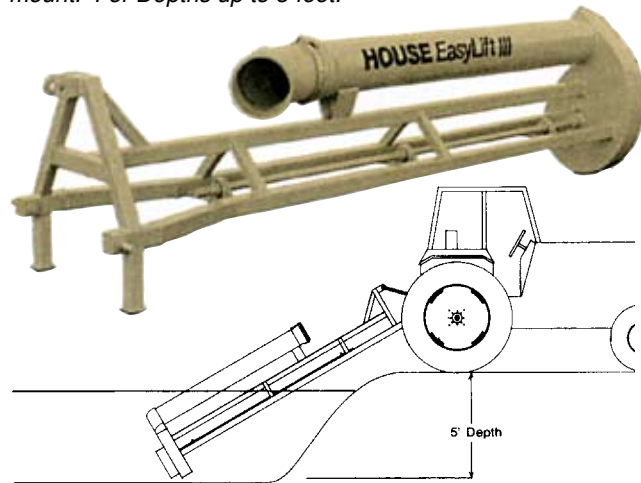
Easylift Pumps feature: excellent trash handling capabilities, full range of discharge sizes: 6", 8", 10", 12" and 16", GPMs from 1500 to 9500, heads to 45', standard 24' frame length, maximum strength rectangular tube construction and a clevis hook-up or Cat. II three-point hitch for fast set-up and maneuverability. Our impellers are designed for operation off 540 RPM PTOs on 6-10" models or 1000 RPM on 12-16" models.

With all models, a rotational 90° elbow is provided for attaching aluminum pipe. An optional discharge for flexible rubber pipe is available.

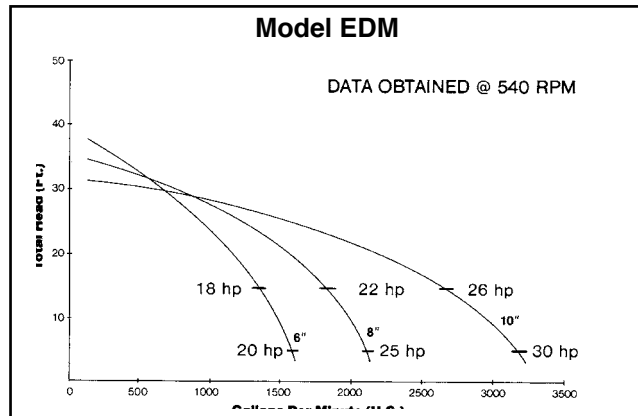
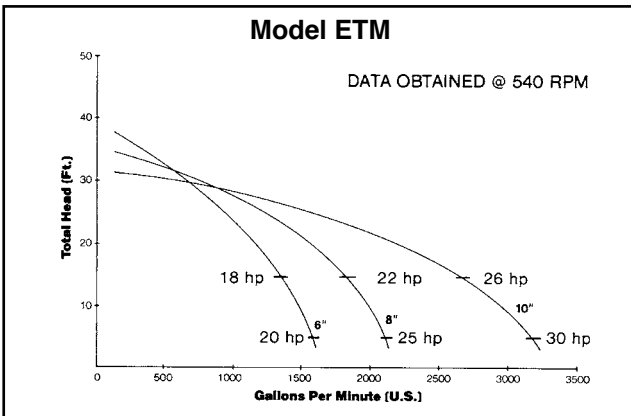
These rugged pumps can fill your irrigation needs and do it more profitably with less investment and lower operating costs.

Easy Lift III Pump

The Easy Lift III is designed for three point mount. For Depths up to 5 feet.



Specifications and Pricing Information



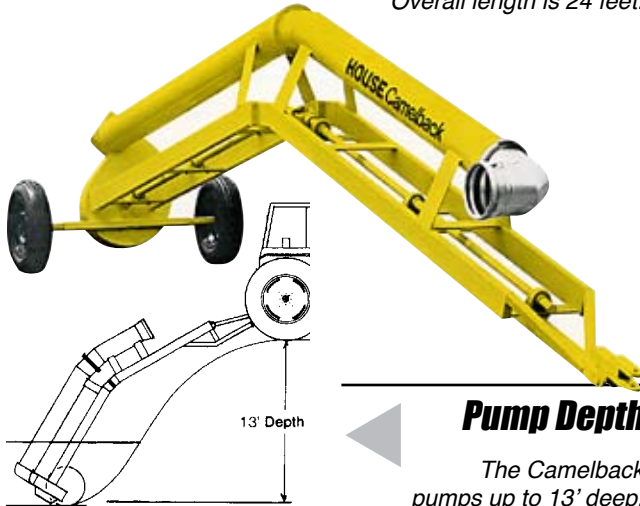
Model	H.P.	Size	GPM	Shaft	Length	Weight	B. Frt.	Price
Medium Duty Three Point Pumps								
ET6M	20	6"	1500	1-1/2"	13'	705	627.45	\$5,964.00
ET8M	25	8"	2000	1-1/2"	13'	735	654.15	6,438.00
ET10M	30	10"	3000	1-1/2"	13'	770	685.30	6,969.00
Heavy Duty Three Point Pumps								
ET6H	22	6"	1800	2"	13'	865	\$769.85	\$7,601.00
ET8H	35	8"	2500	2"	13'	895	796.65	8,107.00
ET10H	45	10"	3500	2"	13'	930	827.70	8,928.00
ET12H	65	12"	5000	2"	13'	970	863.30	9,476.00

Camelback Series Trailer Pumps

24 Foot Length • Trailer Pull Model • 6 - 16" diameter • Up to 9500 gallons per minute

Camelback III Pump

The Camelback pump has a long, arched reach. Overall length is 24 feet.



Pump Depth

The Camelback pumps up to 13' deep.

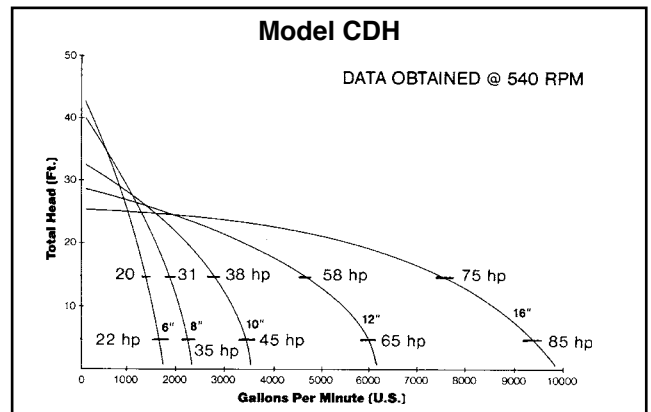
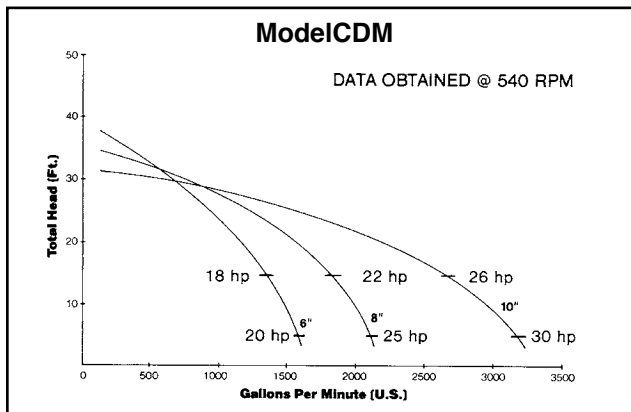
Go where the water is. The House Camelback pump allows the versatility of a long arched reach to give you a pump that you'll use all year long ...for irrigation, tailwater recirculation, manure and sludge pumping and in trash handling applications.

Camelback pumps feature: GPMs to 9500, 24' length and maximum strength square tube frame construction.

Innovative design, consistent craftsmanship and quality materials make a pump that will outperform and outlast the competition. All Camelback models are equipped with a fully rotational 90° elbow for attaching aluminum pipe. Discharge connections for flexible rubber pipe are available.

Five discharge sizes are available... six, eight, and ten inch with impellers operating off 540 RPM PTOs, twelve and sixteen inch designed for operating off 1000 RPM PTO.

Specifications and Pricing Information



Model	H.P.	Size	GPM	Shaft	Length	Weight	B. Frt.	Price
Medium Duty Trailer Pumps								
CD6M	20	6"	1500	1-1/2"	24'	1400	\$1,246.00	\$9,822.00
CD8M	25	8"	2000	1-1/2"	24'	1430	1,272.70	10,554.00
CD10M	30	10"	3000	1-1/2"	24'	1505	1,339.45	11,527.00
Heavy Duty Trailer Pumps								
CD6H	22	6"	1800	2"	24'	1625	1,446.25	\$11,487.00
CD8H	35	8"	2500	2"	24'	1685	1,499.65	12,333.00
CD10H	45	10"	3500	2"	24'	1770	1,575.30	12,170.00
CD12H	65	12"	5000	2"	24'	1860	1,655.40	12,976.00
CD16H	85	16"	9500	2"	24'	2100	1,869.00	14,087.00



Camelback III Series Three Point Pumps

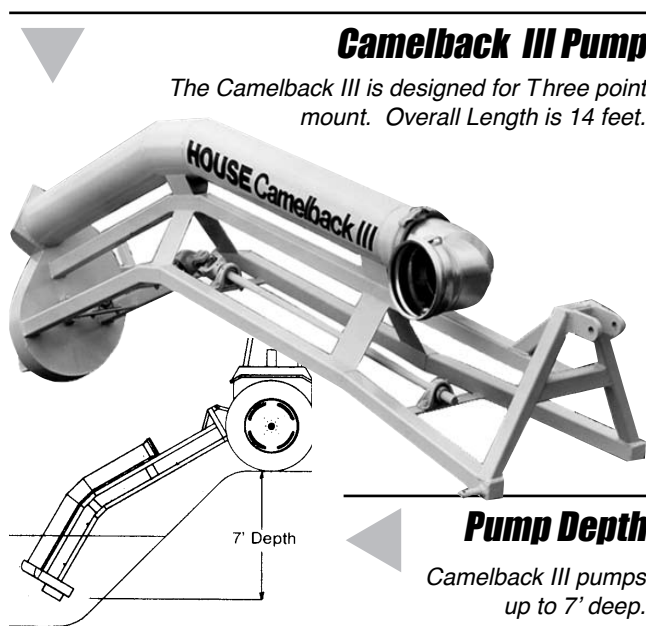
14 Foot Length • Three Point Mount • 6 - 12" diameter • Up to 5000 gallons per minute

Go where the water is. The House Camelback pump allows the versatility of a long arched reach to give you a pump that you'll use all year long ...for irrigation, tail-water recirculation, manure and sludge pumping and in trash handling applications.

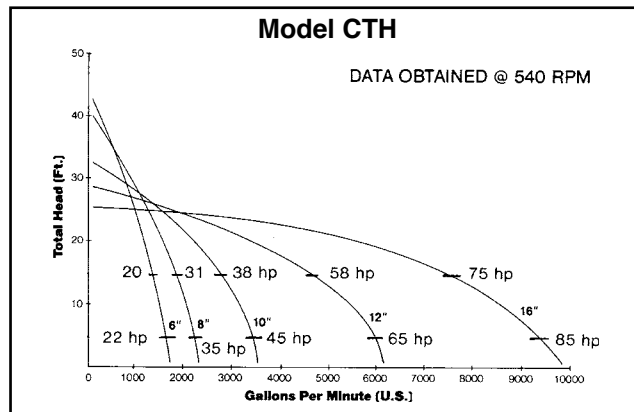
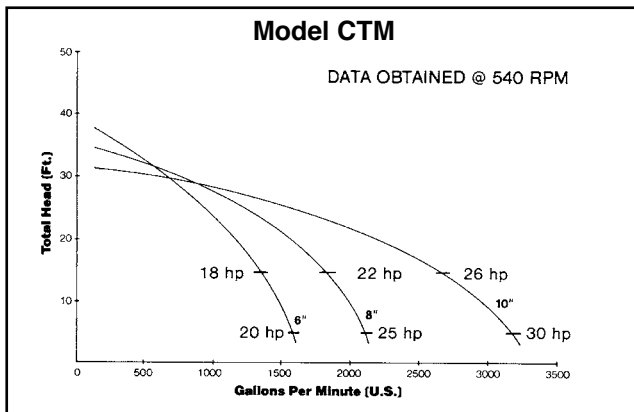
Camelback pumps feature: GPMs to 9500, 14' length and maximum strength square tube frame construction.

Innovative design, consistent craftsmanship and quality materials make a pump that will outperform and outlast the competition. All Camelback models are equipped with a fully rotational 90° elbow for attaching aluminum pipe. Discharge connections for flexible rubber pipe are available.

Five discharge sizes are available... six, eight, and ten inch with impellers operating off 540 RPM PTOs, twelve and sixteen inch designed for operating off 1000 RPM PTO.



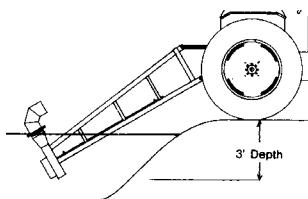
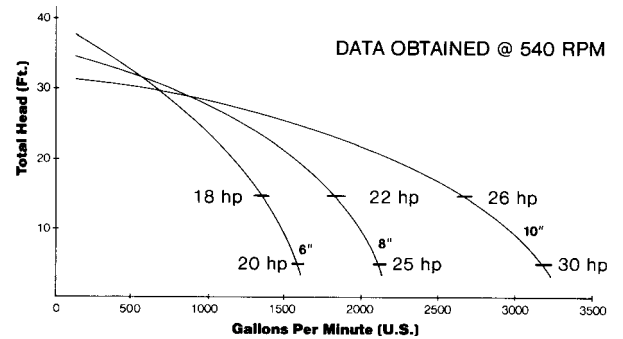
Specifications and Pricing Information



Model	H.P.	Size	GPM	Shaft	Length	Weight	B. Frt.	Price
Medium Duty Three-Point Pump								
CT6M	20	6"	1500	1-1/2"	14'	740	\$658.60	\$7,054.00
CT8M	25	8"	2000	1-1/2"	14'	770	685.30	7,601.00
CT10M	30	10"	3000	1-1/2"	14'	805	716.45	8,074.00
Heavy Duty Three-Point Pump								
CT6H	22	6"	1800	2"	14'	915	\$814.35	\$6,580.00
CT8H	35	8"	2500	2"	14'	945	841.05	7,954.00
CT10H	45	10"	3500	2"	14'	980	872.20	8,554.00
CT12H	65	12"	5000	2"	14'	1020	907.80	9,107.00

Economy Series Pump

13 Foot Length • Three Point Mount • 6 - 10" diameter • Up to 3000 gallons per minute



Model EM8
3-Point mount pump

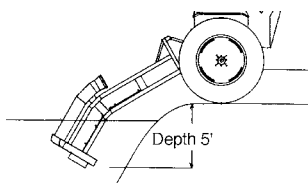
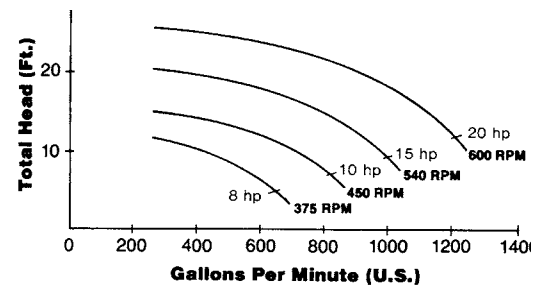
Pump Depth
Pumps up to 3' Deep.

House economy series pump give you House quality at an exception value. Available in 6" thorough 10" sizes, and designed for 20 to 30 horsepower, the EM series provide GPMs aup to 3000 and heads to 40'. Rect-angular steel frame provides excellent stability. Pump length is 13 feet.

Model	H.P.	Size	GPM	Shaft	Length	Weight	B. Frt.	Price
Medium Duty 3 Pt Pump								
EM6	20	6"	1500	1-1/2"	13'	550	\$489.50	5,449.00
EM8	25	8"	2000	1-1/2"	13'	590	525.10	5,811.00
EM10	30	10"	3000	1-1/2"	13'	640	569.60	7,665.00

Mini-Camelback III Series Pump

11.5 Foot Length • Three Point Mount • 6" diameter • 1250 gallons per minute



Model CM612
3-Point mount pump

Pump Depth
Pumps up to 5' Deep.

House economy series pump give you House quality at an exception value. Available in 6" thorough 10" sizes, and designed for 20 to 30 horsepower, the EM series provide GPMs aup to 3000 and heads to 40'. Rect-angular steel frame provides excellent stability. Pump length is 13 feet.

Model	H.P.	Size	GPM	Shaft	Length	Weight	B. Frt.	Price
Light Duty 3 Pt Pump								
CM612	15	6"	1250	1-1/4"	11-1/2"	420	\$373.80	\$5,975.00



Easyback III Series Pump

18 Foot Length • Three Point Mount • 6 - 12" diameter • Up to 5000 gallons per minute

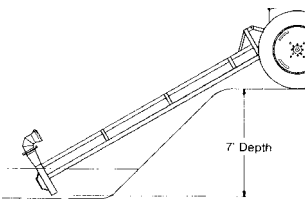


EasyBack 3 -Pt pumps are made for the farmer who needs to use his water supply to the maximum, but doesn't want to invest in expensive specialized pumping equipment.

Easylift Pumps feature: excellent trash handling capabilities, full range of discharge sizes: 6", 8", 10", 12", GPMs from 1500 to 5000, heads to 45', standard 18' frame length, maximum strength rectangular tube construction. Three-point hitch provides fast set-up and maneuverability.

With all models, a rotational 90° elbow is provided for attaching aluminum pipe. An optional discharge for flexible rubber pipe is available.

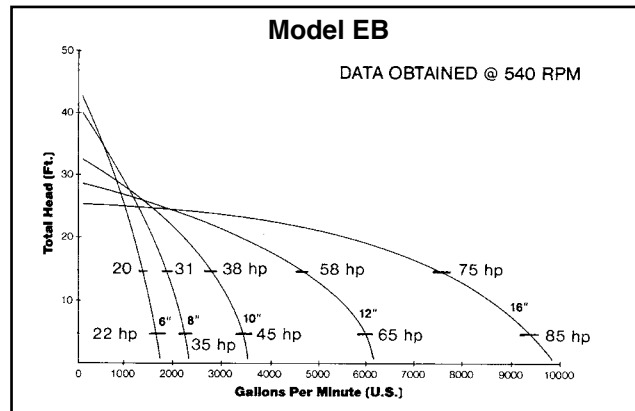
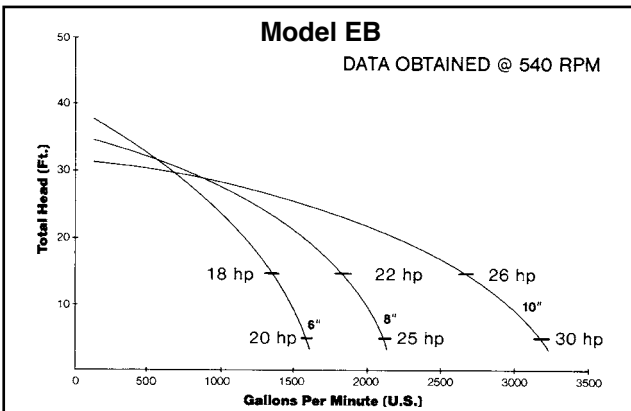
These rugged pumps can fill your irrigation needs and do it more profitably with less investment and lower operating costs.



Model EB8
3-Point mount pump

Pump Depth
Pumps up to 3' Deep.

Specifications and Pricing Information



Model	H.P.	Size	GPM	Shaft	Length	Weight	B. Frt.	Price
Medium Duty 3-Pt. Pumps								
EB6M	20	6"	1500	1-1/2"	18'	725	\$645.25	\$6,174.00
EB8M	25	8"	2000	1-1/2"	18'	750	667.50	6,511.00
EB10M	30	10"	3000	1-1/2"	18'	775	689.75	6,991.00
Heavy Duty 3-Pt. Pumps								
EB6H	22	6"	1800	2"	18'	900	801.00	8,011.00
EB8H	35	8"	2500	2"	18'	925	823.25	8,549.00
EB10H	45	10"	3500	2"	18'	940	836.60	9,107.00
EB12H	65	12"	5000	2"	18'	970	863.30	9,701.00

Mix Venturi Sprayer

Projet Mix

Venturi Sprayer
with six outlets



Venturi Sprayer • 80-160G • For 50-85 HP

The Projct Mix sprayer features a 20" fan with clutch assembly, capable of delivering 9000 cubic feet a minute of air volume for even coverage.

It has a polyethylene tank, available in 80-160 Gallon capacities with a 10 year warranty. Tanks have an external fill indicator. Separate circuit and hand wash tanks are also included.

Two speed gearbox allows you to choose the right air volume for your conditions.

Designed for 3 pt mounting for 50-65 horsepower tractors.

Model	Tank	HP	Fan	Speeds	RPM	Wt	Price
330	80 G	50-55	20"	2	540	456	\$7,692.00
440	105 G	55-60	20"	2	540	500	7,779.00
660	160 G	60-85	20"	2	540	545	8,257.00
#059.99M	Elec Solenoid Kit - Allows separate control of the LH & RH manifolds						513.00
#063.812	Wheel & Axle Support Kit						840.00

Star Mixer Airblast Sprayer

Star Mixer

Airblast sprayer.



Airblast Sprayer • 80-160G • For 50-85 HP

The Projct Star Mixer is a three-point mount sprayer designed for use with 20-40 hp tractors. The polyethylene tanks are available in 50-105 Gallon capacities and feature hydraulic agitators and external fill indicators. It also has a cleaning tank, as well as a hand-wash tank.

A Large 20" nylon fan is driven by your 540 rpm PTO. It has 12 blades and delivers 15,000 cfm of air volume.

The Projct Star Mixer has ten no-drip brass dual nozzle assemblies. Other plumbing features include pressure regulator valve with adjustable 3-way distributor.

Model	Tank	HP	Fan	Speeds	RPM	Wt	Price
200	50 G	25-30	20"	1	540	401	\$4,231.00
330	80 G	25-30	20"	1	540	445	4,360.00
440	105 G	30-40	20"	1	540	490	4,480.00
#059.99M	Elec Solenoid Kit - Allows separate control of the LH & RH manifolds						513.00
#063.812	Top Air Deflectors						116.00



Compact Venturi Sprayer

Pull-Type Venturi Sprayer • 175-580 Gallon • For 45-90 HP



Features:

- Polyethylene main tank with “no residue” feature.
- Hand-washing tank and poly rinse tank standard
- External sight gauges for tank and oil level
- Painted steel frame with parking stand. Axles are adjustable for both height and width, and wheel tongue jack is standard on 1650/2200
- Double jet agitator, self-filling intake filter, and fully adjustable spray nozzles
- 20" Centrifugal fan with clutch driven by two speed over-drive gear.
- On-off electrical control
- Light Kit

SPECIFICATIONS

Model	Tank Gal	HP	Fan	Speeds	PTO RPM	Air vol (ft ³ /min)	Air spd (mph)	Tire Size	Width (in)	Length (in)	Height (in)	Wt (lbs)
660	175	45-55	20"	2	540	8830	325	185/60 R14	55.1	100	45	968
880	233	50-60	20"	2	540	8830	325	185/60 R14	55.1	100	46	979
1100	290	60-70	20"	2	540	8830	325	10.0/80-12"	55.1	108	47	1210
1650	436	70-75	20"	2	540	8830	325	10.0/80-12"	55.1	130	51	1518
2200	581	80-90	20"	2	540	8830	325	11.5/80-15.3"	55.1	130	51	1716

PRICING INFORMATION

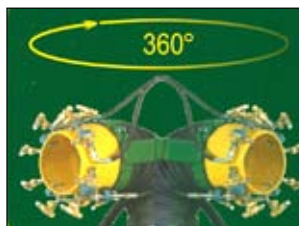
Model	Capacity	List Price				
Spray Head Configuration:						
660	173 Gallon	\$10,030.00	\$11,105.00	\$10,750.00	\$11,216.00	\$11,578.00
880	233 Gallon	10,342.00	11,393.00	11,043.00	11,509.00	11,869.00
1100	290 Gallon	11,086.00	12,162.00	11,807.00	12,273.00	12,635.00
1650	436 Gallon	12,088.00	13,163.00	12,809.00	13,275.00	13,635.00
2200	581 Gallon	14,216.00	15,277.00	14,922.00	15,387.00	15,749.00

Turbo Mix Flex Piralide

Three Point and Pull-Type Sprayers • 175-580 Gallon • For 45-90 HP

Features:

- Modular and interchangeable machine
- Polyethylene Tank,
- Polyethylene rinse and hand wash tanks standard.
- External sight gauges for tank level and oil level
- Painted steel frame
- Outside suction filter with automatic tank filler
- No drip nozzles
- Geared overdrive.
- Remote pressure regulator.
- Jet agitator
- Double centrifugal impeller with 40" telescopic hydraulic- adjust head.
- Available in both 3-point mount and trailer pull-type configurations
- Hydraulic hoses with quick couplers.
- 18" Centrifugal fan with clutch



SPECIFICATIONS

Model	Tank Gal	HP	Fan Dia	No. of nozzles	⚙️	PTO RPM	Horizontal Spray Dist	Vertical Spray Dist	Width (in)	Length (in)	Height (in)	Wt (lbs)
660	175	50-90	18"	12	2	540	66 - 82'	49 - 59'	71	55	144	1199
		80-100					105 - 118'	95 - 108'				
880	233	60-70	18"	12	2	540	66 - 82'	49 - 59'	71	55	144	1225
		80-100					105 - 118'	95 - 108'				
1100	290	70-90	18"	12	2	540	66 - 82'	49 - 59'	71	55	144	1243
		90-120					105 - 118'	95 - 108'				

PRICING INFORMATION

Model	Description	HP	20 gpm / 725 psi pump	27 gpm / 725 psi pump
660	175 Gallon Sprayer, three-point	50-70	12,114.00	12,336.00
		80-90	12,114.00	12,336.00
880	233 Gallon Sprayer, three-point	60-70	12,641.00	12,864.00
		80-100	12,641.00	12,864.00
1100	290 Gallon Sprayer, three-point	70-90	13,171.00	13,393.00
		90-120	13,131.00	13,393.00
1650	436 Gallon Sprayer, trailer mount	50-70	17,347.00	19,141.00
		80-90	17,347.00	19,141.00
2200	581 Gallon Sprayer, trailer mount	50-70	17,570.00	19,364.00
		80-90	17,570.00	19,364.00



Compact Air System

Pull-Type Venturi Sprayers • 290-890 Gallon • For 60-100 HP



Compact 1100

Pull-type Venturi spray system with 1100 gallon tank.

Features:

- Polyethylene Tank
- Polyethylene Hhnd wash and rinse tank are standard.
- External site gauge
- Painted steel frame.
- Parking stands front and rear
- No drip nozzles
- Coupler for bottom of tank with filter
- Patented 'air system' fan
- Two speed reverse gearbox.
- Variable pitch fan blades
- Height and width adjustable axles.
- On-off Electric Controls.
- External oil level indicator.
- Four closing caps.
- Double jet agitators on 1650-3300
- Tail lights
- Hydraulic hoses with couplers

SPECIFICATIONS

Model	Gal	HP	Fan Dia	Fan Blades	No. of nozzles	PTO RPM	Air Vol ft ³ /min	Spray Dist.	Tire Size	Width (in)	Length (in)	Ht (in)	Wt (lbs)
1100	290	60-80	32"	12	9+9	540	29800	26-33'	10.0/80-12	51	95	108	1320
1650	436	60-80	32"	12	9+9	540	29800	26-33'	10.0/80-12	55	102	108	1628
2200	581	80-100	32"	12	9+9	540	35100	33-39'	11.5/80-15.3	55	124	112	1826
3300	872	80-100	32"	12	9+9	540	35100	33-39'	11.5/80-15.3	75	152	112	2156

PRICING INFORMATION

Model	Capacity	List Price			
		20 gpm/725 psi	27 gpm/725 psi	32 gpm/725 psi	36 gpm / 725 psi
1100	290 Gallon	15,409.00	15,632.00	\$15,979.00	-
1650	1500 Gallon	-	16,563.00	16,911.00	17,342.00
2200	581 Gallon	-	21,013.00	21,361.99	21,792.00
1650	436 Gallon	-	23,140.00	23,487.00	23,919.00

Compact Control

Pull-Type Sprayers • 175-872 Gallon • For 50-120 HP •



Features:

- Polyethylene main tank, rinse & hand wash tank.
- External site gauge and oil level indicator.
- Painted steel frame with height/width adjustable axles and parking stand
- No- drip nozzles
- Coupler for bottom of tank with filter.
- Centrifugal clutch (except 660/880) and geared over-drive. Fan blades are variable for pitch
- Tail lights
- On-off electric control
- Four air closing caps
- Double jet agitators on 1650-3300

SPECIFICATIONS

Model	Tank Gal	HP	Fan Dia	Fan Blades	Nozzles	⚙️	PTO RPM	Vol. ft ³ /min	Spray Dist (ft.)	Tire Size	Dimensions (inches)			Wt (lbs)
											W	L	H	
660	175	30-40	28"	12	10	2	540	17655 21286	26-33	185/60R14	43	93	43	1210
880	233	30-40	28"	12	10	2	540	17655 21186	26-33	185/60R14	43	93	45	1364
1100	290	40-50	32"	10	12	2	540	19420 24700	33-40	10.0/80-12	51	100	47	1518
1650	436	50-70	32"	10	12	2	540	19420 24700	33-40	10.0/80-12	55	122	51	1650
2200	581	70-80	35"	10	12	2	540	19420 28248	40-46	11.5/80-15.3	55	122	57	1716
3300	872	80-90	35"	10	12	2	540	19420 28248	40-46	11.5/80-15.3	75	150	79	2046

PRICING INFORMATION

Model	Capacity	Price				
		16 gpm/725 psi	20 gpm/725 psi	27 gpm /725 psi	32 gpm/725 psi	36 gpm/725 psi
660	173 Gal	\$8,737.00	\$8,837.00	9,110.00	-	-
880	233 Gal	9,030.00	9,183.00	9,405.00	9,843.00	-
1100	290 Gal	-	10,017.00	10,240.00	10,593.00	-
1650	436 Gal	-	11,021.00	11,244.00	11,597.00	12,026.00
2200	581 Gal	-	-	13,191.00	13,543.00	13,974.00
3300	872 Gal	-	-	15,593.00	15,945.00	16,376.00



Compact Biturbo

Pull-Type Sprayers • 290-872 Gallon • For 65-100 HP



FEATURES

- Polyethylene main tank, rinse tank & hand wash tank
- External site gauge & oil level indicator
- Painted steel frame with height & width adjustable axles.
- Parking Stand & Tail lights are standard.
- No Drip Nozzles
- Coupler for bottom of tank with filter
- Two speed gearbox with neutral.
- Two variable pitch fans with clutch. One has reverse rotation
- On-off electric control
- Double Jet agitator

SPECIFICATIONS

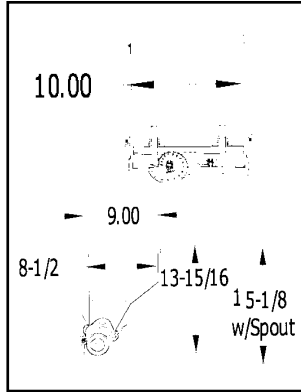
Model	Tank Gal	HP	Fan Dia	Fan Blades	Nozzles	⚙️	PTO RPM	Vol. ft ³ /min	Spray Dist (ft.)	Tire Size	Dimensions (inches)			Wt (lbs)
											W	L	H	
1100	290	65-75	31.5"	10	10	2	540	57700	33	10.0/80-12	51	118	47	1320
1650	436	70-80	31.5"	10	10	2	540	57700	33	10.0/80-12	55	140	51	1628
2200	581	75-85	32.5"	10	12	2	540	57700	33	11.5/80-15.3	55	140	57	1760
3300	872	100	35.4"	10	12	2	540	57700	40	11.5/80-15.3	75	156	79	2156

PRICING INFORMATION

Model	Capacity	List Price		
		27 gpm/725 psi	30 gpm/725 psi	36 gpm/726 psi
1100	290 Gallon	\$12,467.00	\$12,821.00	-
1650	436 Gallon	13,472.00	13,824.00	14,252.00
2200	581 Gallon	15,418.00	15,765.00	16,200.00
3300	872 Gallon	18,891.00-	19,243.00	19,671.00



Junior Steel Cam Gauge Applicator



- 20 lb capacity of granular ag chemicals at density of 45 lbs/ cu ft
- Choice of 1, 2, or 3, openings per ho[[er
- Hopper lid measures 9 x 10-3/4"
- Includes rubber rotor bar

SPECIFICATIONS: 20 lb capacity hopper (approx. with clay granules). Snap-on stainless steed hopper bottom & slide for easy cleaning; bolt-on mounting for easy removal; precision cam-type rate gauge; rubber rotor ; sealed bearings.

Part	Description	Wt	Price	B. Frt
0901JR-R	20 lb hopper with rubber rotor bar and one outlet	15	263.00	4.65
0902JR-R	20-lb hopper with rubber rotor bar and two outlets	15	273.00	4.65
0903JR-R	20-lb hopper with rubber rotor bar and three outlets	15	288.00	4.65

DRIVE PACKAGES (Required to Complete Applicator)

Part	Description	Wt	Price	B. Frt
12V Electric Drive Packages (Complete with switch, drive sprockets, chain, & guard)				
09075589	12V, 4 amp, 1/64 hp electric motor for use on up to two hoppers.	11	256.00	3.41
090828343	12V, 6 amp, 1/32 hp electric motor for use on up to three hoppers.	13	446.00	4.03
090938395	Heavy duty 12V, 25A, 1/4 hp electric motor for use on up to 12 hoppers.	42	1181.00	13.02
Ground Drive Package (Complete w/ driven sprocket & chain)				
09069286R-C1	Ground drive, rubber tire; diamond or sq tool bar. Drives up to 12 hoppers`	69	807.00	21.39

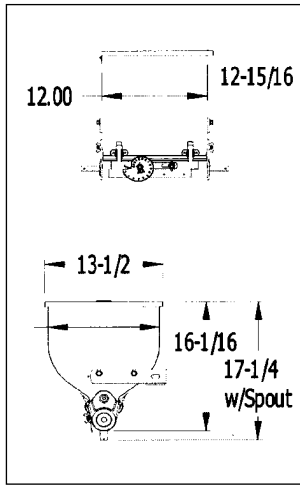
OPTIONAL EQUIPMENT

Part	Description	Wt	Price	B. Frt
Hopper Extension to increase capacity				
09070535	Hopper extension for Junior Applicator. Adds 22 lbs additional capacity	10	111.00	3.10
Optional Lock n' Load Cover				
LL	Add L applicator model to have lid die cut to accept a lock 'n load valve		20.00	
09LLV	Lock n' Load valve for attachment to row applicator		54.00	
Optional connector Packages When mounting Multiple Hoppers In-Line				
09074321	Connector drive tube for hoppers spaced up to 42" apart	3	68.00	.93
09074323	Connector drive tube for hoppers spaced up to 80" apart	3	80.00	.93
Tubing and Ro-Banders				
M06-0875-000	.875 inch I.D. clear flexible tubing. Order by the foot		3.00	
2406224-36	.810 ince I.D. clear tubing - 36" length (available up to 108")		10.00	
M11-0012-010	Mini hose clamp 5/8" x 1-1/4" (secures tube to spout)		1.20	
09105D	5" ro-bander	2	30.00	.62
09107D	7" ro-bander	2	28.00	.62
09110D	10" ro-bander	2	34.00	.62
09114	14" ro bander	2	65.00	.62
09073673	Attaching bracket for single ro-bander to bar	2	57.00	.62
Field Installed Mounting Options				
09073649EMS	Adjustable tool bar mount (14" -24"). Fits up to 5" diamond or 7" sq bar	14	136.00	4.34
09072624-3	U-frame replacement for super or junior applicators	4	23.00	1.24



Jumbo Cam Gauge Applicator

Cam Gauge Metering of Herbicides and Insecticides



- 45-lb capacity of granular chemicals at density of 45-lb/cu ft
- Choice of 2, 3, or 4 openings per hopper
- Hopper lid measures 13-1/2 x 12-3/4" (Lock n' load lids available)
- Choice of rubber rotor or stainless steel rotor; 10" vanes, depending on package ordered

Specifications: 45 lb capacity hopper with snap-on stainless steel hopper bottom & slide for easy cleaning; sight window; bolt-on mounting for easy removal cam-type rate gauge; five-bladed flow control rotor and sealed bearings

JUMBO APPLICATOR PACKAGES

Complete with hoses, bottom, u-frame mounting brackets, hose clamps, stabilizers, & clamps

Part No	Description	Wt	Price	B. Frt.
Jumbo Applicator Package with rubber roller bar.				
09M902EM-R	45 lb. hopper with twin rubber rotor bar for heavy core granules; two outlets; U-frame mounting bracket, two 42" flexible tubes, stabilizers, & clamp straps.	29	445.00	8.99
09M903EM-R	45 lb hopper with rubber rotor bar for heavy core granules; three outlets; U-frame mounting bracket, three 42" flexible tubes, stabilizers, & clamp straps.	31	478.00	9.61
09M904EM-R	45-lb. hopper with rubber rotor bar for heavy core granules; three outlets; U-frame mounting bracket, three 42" flexible tubes, stabilizers, & clamp straps.	33	520.00	10.23

DRIVE PACKAGES (Required to Complete Applicator)

Part No	Description	Wt	Price	B. Frt.
12V Electric Motor Drive Packages (Complete with switch, drive sprockets, chain and guard)				
09075589	12-volt, 4 amp, 1/64 h.p. electric motor drive for use on up two (2) hoppers.	11	256.00	3.41
09082843	12-volt, 6 amp, 1/32 h.p. electric motor drive for use on up three (3) hoppers.	13	446.00	4.03
09093895	Heavy-duty 12-volt, 25 amp, 1/4 h.p. electric drive for up to twelve hoppers.	42	1,181.00	13.02
Ground Drive Package				
09069286-C1	Ground drive, steel wheel attaches to diamond or flat tool bar. Complete w/ sprocket and chain. Use w/ hopper mounts 9072649EMS and 09073649EMS	69	807.00	21.39

Continued on Next Page...



Jumbo Cam Gauge Applicator

Cam Gauge Metering of Herbicides and Insecticides

JUMBO APPLICATOR OPTIONAL EQUIPMENT

Part No	Description	Wt	Price	B. Frt.
Optional Hopper Extension				
09176744	Hopper extension for Jumbo Applicator to add 45 lbs additional capacity	13	153.00	4.03
09177744-3	Screen for Jumbo hopper extension	2	62.00	.62
Optional Lock N' Load Cover				
LL	Add LL to the model of any hopper to have the lid die cut to accept a lock n' load valve. Add amount to the price in price list		20.00	
09LLV	Lock n' Load valve for attachment to row applicator			
Optional Connector Packages when Mounting multiple Hoppers In Line				
09074321	Connector drive tube for hoppers spaced up to 42" apart	3	68.00	.93
09074323	Connector drive tube for hoppers spaced up to 80" apart	3	80.00	.93
Optional Tubing and Row Banders				
M06-0875-000	.875 inch I.D. clear flexible tubing. Order by the foot		3.00	
2406224-36	.810 ince I.D. clear tubing - 36" length (available up to 108")		10.00	
M11-0012-010	Mini hose clamp 5/8" x 1-1/4" (secures tube to spout)		1.20	
09105D	5" ro-bander	2	31.00	.62
09107D	7" ro-bander	2	29.00	.62
09110D	10" ro-bander	2	35.00	.62
09114	14" ro bander	2	67.00	.62
09073673	Attaching bracket for single ro-bander to bar	2	58.00	.62
Field Installed Mounting Options				
09073649EMS	Adjustable tool bar mount (14" to 24") fits to 5" diamond or 7" square tool bar	14	136.00	4.34
090787765	Hopper lid lock package for attachment to existing Jumbo or Super		30.00	
09178768	Suspender for placement inside hopper to keep granules suspended and create even flow of materials around rotor bar	2	26.00	.62
09072654-3	U-frame mounting bracket for jumbo applicator	4	41.00	1.24

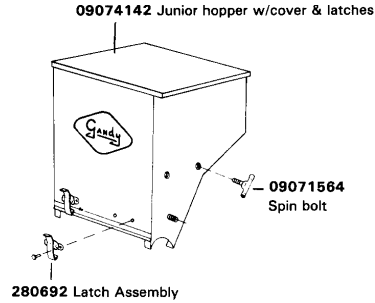
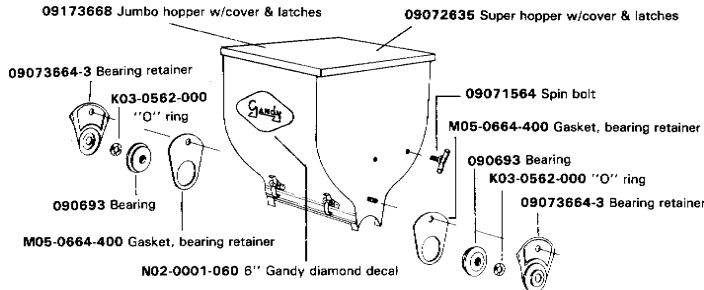


Cam Gauge Applicator Parts & Accessories

Jumbo, Super, Junior Hopper Options and Accessories

Jumbo Hopper

Junior & Super Hopper



Jumbo Bottom, Slide & Rotor

Junior & Super Bottom, Slide & Rotor

09076719-C1	Resilient rubber rotor, twin, available as option for heavy-core granules	09069507	Resilient rubber rotor, 3-inch, available as option for heavy-core granules
09070534	Rubber rotor, 10'', available as option for heavy-core granules	09074199	Rotor, 3-inch, 5 blades, stainless steel
0917422	Stainless steel rotor, 10''	09073636-1	Bottom & slide, angle spout, standard w/insecticide 09S901 packages
09173669-2	Bottom & slide, angle spout, 2 openings	09072636-1	Bottom & slide, straight spout, one opening
09173669-2C1	Bottom & slide, straight spout, 2 openings	09073636-1C1	Bottom & slide, spout angled away from gauge
09173669-2C2	Bottom & slide, spout angled away from gauge, 2 openings	09076719	Resilient rubber rotor, twin, available as option for heavy-core granules
09173669-3	Bottom & slide, angle spout, 3 openings	09069508	Resilient rubber rotor, 8''
09173669-3C1	Bottom & slide, straight spout, 3 openings	09074147	Rotor, 8'', stainless steel
09173669-3C2	Bottom & slide, spout angled away from gauge, 3 openings	09073636-2	Bottom & slide, angle spout, two opening standard on herbicide 09S902 packages
09173669-4	Bottom & slide, angle spout, 4 openings	09072636-2	Bottom & slide, straight spout, two openings
09173669-4C1	Bottom & slide, straight spout, 4 openings	09073636-2C1	Bottom & slide, spout angled away from gauge, two openings
09173669-4C2	Bottom & slide, spout angled away from gauge, 4 openings	09073636-3	Bottom & slide, angle spout, three opening
		09072636-3	Bottom & slide, straight spout, three openings
		09073636-3C1	Bottom & slide, spout angled away from gauge
2406224-36	Plastic tube, clear, 36''	0908012-6	Spout only, straight
2407924-30	Plastic tube, rigid, 30''	09073636-6	Spout only, angle
(Both above tubes available in 108'' lengths)		E09-06137	Spring clip
		M06-0875-042	Plastic flex tube, 42''
		M06-0875-096	Plastic flex tube, 96''
		09072638	Lock strip
		0906375	Cam gauge, stainless steel
		09066204	Tube stabilizer
N02-0009-040	Ro-Bander decal	0906747	7'' Ro-Bander less cover
		0906949	5'' Ro-Bander less cover
		09067242	10'' Ro-Bander less cover
		0906646-3	7'' Ro-Bander cover
		0906949-3	5'' Ro-Bander cover
		09067243	10'' Ro-Bander cover
		0906646	14'' Ro-Bander less covers (dual 7)



Cam Gauge Applicator Accessories

Part No.	Illustration	Description	Wt.	Price	B.Frt.
09073649EMS		Tool Bar Mounting. Adjustable 14" to 24" high. Fits up to 5" diamond or 7" square tool bar.	14 lbs	136.00	4.34
09178768		Suspender. Jumbo hopper	2 lbs	26.00	.62
09074321		Connector drive tube. Up to 42" hopper spacing.	3 lbs	68.00	.93
09074323		Connector drive tube. Up to 80" hopper spacing.	4 lbs	80.00	1.24
09075589		12V motor drive with switch, sprockets, chain, guard. 4 amp. 1/64 hp. Drives up to 2 hoppers.	11 lbs	256.00	3.41
09075589-4SM		12V Service Motor, with mount	5 lbs	208.00	1.55
09075589-4		12V Motor only	5 lbs	180.00	1.55
09082843		12V drive with switch, sprockets, chain, guard. 6 amp, 1/32 hp Drives up to 3 hoppers. Not for use with PDM	13 lbs	446.00	4.03
09082842-4		12 volt service motor only. w/ drive sprocket.	6 lbs	310.00	1.86
09093895		Heavy Duty electric motor drive with switch & sprocket, chain, guard. 25 amp, 1/4 hp for up to 12 hoppers	42 lbs	1181.00	13.02
09074678		Hydraulic motor drive, with flow control valve, drive sprockets, chain and bracket.	18 lbs	953.00	5.58
09076679-C1		Hydraulic motor drive, with flo-control	18 lbs	710.00	5.58
09069286R-C1		Ground drive: Rubber wheel, for diamond or flat tool-bar. Complete with drive sprocket & chain.	69 lbs	807.00	21.39
09W1		Drive pkg. 5:1 ratio. Same as above w/pair 3/4R insert only. For line shaft (50-100 rpm) from planter	5 lbs	113.00	1.55
09069508P		Resilient rubber rotor. 8", for Super or Junior applicators. Use with heavy core granules.	2 lbs	82.00	.62
09069507P		Resilient rubber. 3", for single outlet Super or Junior applicator. Use w/ heavy core granules.	2 lbs	84.00	.62
09076719-C1P		Twin resilient rubber rotor. For 2 outlet Jumbo. Use with heavy core granules (16-3/4 inch shaft)	2 lbs	89.00	.62
09070534P		Resilient rubber rotor. 10", for Jumbo. Use w/ heavy core granules (16-3/4" shaft). Washers incl.	2 lbs	81.00	.62
09072624-3		"U" Frame. For Super or Junior applicators.	4 lbs	23.00	1.24
09072654-3		"U" Frame. For Jumbo applicators.	4 lbs	42.00	1.24
09105D		5 Inch Ro-Bander	2 lbs	31.00	.62
09107D		7 Inch Ro-Bander	2 lbs	29.00	.62
09110D		10 Inch Ro-Bander	2 lbs	35.00	.62
09114		14 inch Ro-bander.	2 lbs	66.00	.62
M10-2539-200		WYE Connector for use on two outlets or to combine chemicals from two hoppers to one tube.	1 lb	48.00	.41
09176744		Hopper extension. For Jumbo applicator	13 lbs	153.00	4.03
09070535		Hopper Extension. For Junior Applicator	10 lbs	111.00	3.10
09093896		Hopper Extension. For Super applicator	12 lbs	153.00	3.72



Jumbo PDM Applicator

Positive Displacement Packages for Pesticides



- Positive Displacement Packages for Pesticides
- Steel PDM hoppers provide positive displacement metering and rate control by sprocket cluster
- Absolute shutoff when metering stops, and if ground driven, compensates for changes in field speeds
- Feeds material under the metering wheel, down delivery tube
- Includes slide closures to block off unused outlets
- Factory rate charts based on input to the hopper shaft of 2 or 4 revolutions in 88 feet either from a Gandy ground drive or a sprocket and chain drive from the parent implement's live shaft
- Electric non-speed compensating and speed-compensated ground drive available
- Sprocket cluster package, ordered separately, used to set the rates, can control several hoppers connected in line
- PDM metering available as attachments to convert Gandy hoppers with cam gauge metering

SPECIFICATIONS: Steel hopper, PDM metering bottom, full-rate black (C) chemical metering wheels, metering cups, full length and half slide closures. U-frame bracket with 1/2" holes and slots for mounting. Ordered separately: Rate control sprocket package, drop tubing, hose clamps.

USER FABRICATED GROUND-DRIVE: Will have to provide chain and drive sprocket to hopper input shaft from the parent implement's live shaft to provide 2 or 4 rpm to the Gandy input shaft depending on chemical rate, or purchase the Gandy ground drive package.

Part No	Description	Wt	Price	B. Frt.
09M4PDM	Jumbo hopper, 4-outlet PDM bottom, full-rate black (C) chemical metering wheel in place. Includes slide closures to block off unused outlets.	36	487.00	11.16
09M4PDM-T	Jumbo hopper, 4-outlet PDM bottom, half-rate black (C) chemical metering wheel in place. Includes slide closures to block off unused outlets.	36	607.00	11.16
Rate Control Sprocket				
09095917	Set of 12 sprockets to regulate application rates on gandy PDM systems for ground drive, electric drive, or hydraulic drive. Includes stub connector, chain, and guard		191.00	

You must have a rate control sprocket set to adjust application rates for your applicator. If you are mounting multiple hoppers, in-line you only need one sprocket set.

DRIVE PACKAGES (Required to complete Applicator)

If ordering multiple hoppers that will not be placed in-line you will need a drive package for each individual applicator

Part No	Description	Wt	Price	B. Frt.
Non-Speed Compensated Electric Motor Drive Package				
09094903	12V electric motor drive complete with switch, drive sprockets, chain and guard. 4A 1/64 hp to drive up to two hoppers. Other motors will deliver different RPMs and not follow calibration rate guidelines		281.00	
Speed Compensated Ground Drive Package				
09094903	Ground drive with 480-8 tire. Attaches to diamond or flat tool bar. Includes drive sprockets and chain	85	800.00	26.35

Continued on Next Page...



GANDY APPLICATORS

D-7

Jumbo PDM Applicator

Positive Displacement Packages for Pesticides

FIELD INSTALLED OPTIONS AND WEAR PARTS

Part No	Description	Wt	Price	B. Frt.
Optional Hopper Extension and Lock n' Load Hopper Covers				
09176744	Hopper extension for Jumbo to add 45 lbs additional capacity	13	153.00	3.41
LL	Add LL to the model of any hopper to have the lid die cut to accept a lock n' load valve. Add amount to the price in price list		20.00	
09LLV	Lock n' Load valve for attachment to row applicator		54.00	
Optional Connector Packages when Mounting multiple Hoppers In Line				
09074321	Connector drive tube for hoppers spaced up to 42" apart	3	69.00	.93
09074323	Connector drive tube for hoppers spaced up to 80" apart	3	78.00	.93
Optional Tubing and Row Banders				
M06-0875-000	.875 inch I.D. clear flexible tubing. Order by the foot		3.00	
2406224-36	.810 ince I.D. clear tubing - 36" length (available up to 108")		10.00	
M11-0012-010	Mini hose clamp 5/8" x 1-1/4" (secures tube to spout)		1.20	
09105D	5" ro-bander	2	31.00	.62
09107D	7" ro-bander	2	29.00	.62
09110D	10" ro-bander	2	35.00	.62
09114	14" ro bander	2	66.00	.62
09073673	Attaching bracket for single ro-bander to bar	2	58.00	.62
Field Installed Options				
09073649EMS	Adjustable tool bar mount (14-24") fits to 5" diamond or 7" sq tool bar	14	136.00	4.34
09094901-1	Agitator for 1-outlet PDM applicator		46.00	
09094901-2	Agitator for 2-outlet PDM applicator		52.00	
09094901-3	Agitator for 3-outlet PDM applicator		51.00	
09094901-4	Agitator for 4-outlet PDM applicator		58.00	
09MPDM-1	1-outlet PDM replacement bottom, full-rate chemical wheel in place		246.00	
09MPDM-2	2-outlet PDM replacement bottom, full-rate chemical wheel in place		276.00	
09MPDM-3	3-outlet PDM replacement bottom, full-rate chemical wheel in place		307.00	
09MPDM-4	4-outlet PDM replacement bottom, ull-rate chemical wheel in place		344.00	
09094906	Conversion kit to mount existing 1/64 hp, 12V motor to right side of hopper so PDM wheels rotate in underfed direction. Not speed compensating. Includes: chain guard, 36T sprocket & 48-link #41 chain. If high rate of certain chemicals are required, you may need to substitute 32T sprocket in existing 1/64 hp 12V motor package #9075589, or order 32T sprocket #09071589-16 separately. Check rate chart for sprocket used.		65.00	
09096921R	Half-rate red (f) wheel w/ spacers for seeds at high rates.		50.00	
M10-0001-022	.230 black metering wheel for low alfalfa rates. Order two .5" spacers per wheel		14.00	
62851-40	.50" spacer. Order two spacers per outlet using .230" seed wheel (alfalfa)		29.00	
09096921	Package of half rate chemical (c) metering wheel & 2 spacers for 1.25" outlet.		36.00	
09072654-3	U-frame replacement for Jumbo applicators	4	42.00	1.24
09078765	Hopper lid package for attachment to existing Super or Jumbo applicator		30.00	
09MLL	Jumbo hopper lid and hinge only, opening for one Lock n' Load valve	4	54.00	1.24
09178768	Suspender for placement inside hopper to keep granules suspended and create even flow of material around rotor bar	2	26.00	.62

Revised 4-15-13 (Based on Mfg. Price List 1-1-13)

Prices subject to change without notice

Code AT-2



Poly Cam Gauge Applicator Packages

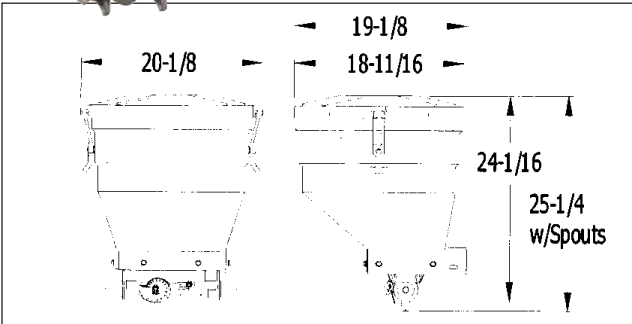
Cam Gauge Metering of Insecticides and Herbicides



Poly Cam Gauge Hopper

Shown at right is Model 09PC02EM-R 100 lb hopper with two openings and bolt-on stainless bottom.

- 2.3 cu. ft. capacity poly hoppers (approximate 100 lb. capacity)
- Optional Lock 'n Load lid available
- U-frame bracket included with holes & slots for mounting
- 2, 3 or 4 openings



SPECIFICATIONS: 100-pound (45 kg) capacity low density polyethylene hopper (approximate, with clay ag chemical granules at 45 lb. per cu. ft.), with bolt-on stainless steel hopper bottom and slide; bolt-on mounting for easy removal; precision cam-type rate gauge; five-bladed Flo-Control rotor; sealed bearings. Color, natural, with silver lid and latch straps. NOTE: This bottom and slide is not interchangeable with the snap-on bottom and slide used with steel hoppers. U-frame mounting bracket with 1/2" holes and slots included.

Part No	Description	Wt	Price	B. Ft.
100 lb. Capacity Poly Applicator Complete Package, Rubber rotor bar				
09PC02EM-R	100-lb hopper w/ two openings, rubber rotor bar, "U" frame mounting bracket, two 42" flexible tubes, hose clamps, stabilizers, & clamp straps.	39	673.00	12.09
09PC03EM-R	100-lb hopper w/ three openings, stainless steel rotor bar, "U" frame mounting bracket, three 42" flexible tubes, hose clamps, stabilizers, & clamp straps.	39	697.00	12.09
09PC04EM-R	100-lb hopper w/ four openings, stainless steel rotor bar, "U" frame mounting bracket, four 42" flexible tubes, hose clamps, stabilizers, & clamp straps.	39	723.00	12.09

DRIVE PACKAGES (Required to Complete Applicator)

If ordering multiple hoppers that will not be placed in-line you will need a drive package for each individual applicator

Part No	Description	Wt	Price	B. Ft.
Ground Drive Package (comes with driven sprocket and chain)				
09069286-C1	Steel wheel ground-drive; non-speed compensating. For diamond or flat tool bar.	69	807.00	26.35
09069286R-C1	Rubber wheel ground-drive, non-speed compensating. For diamond or flat tool bar.	53	801.00	16.43
12V - Electric drive Package				
09099928	12V 1/64 hp motor with mounting, motor, chain guard. Drives up to two hoppers		321.00	
09099929	12V 1/64 hp motor with mounting, motor, chain guard. Drives up to three hoppers		460.00	

Continued on Next Page...



Poly Cam Gauge Applicator Packages

Cam Gauge Metering of Insecticides and Herbicides

FIELD INSTALLED OPTIONS AND WEAR PARTS

Part No	Description	Wt	Price	B. Frt.
Lock N' Load cover				
M10-0001-116	Lock n' load lid in lieu of standard lid. Deduct M10-0001-115 from above package, then add price to wholegoods price.	-	23.00	
09LLV	Lock n' Load valve for attachment to Lock n' Load lid.		54.00	
Optional Connector Packages for Mounting Multiple Hoppers in-line				
09074321	Connector drive tube for hoppers spaced up to 42" apart	3	68.00	.93
09074323	Connector drive tube for hoppers spaced up to 80" apart	3	80.00	.93
Optional Tubing and Ro-Banders				
M06-0875-000	.875" ID clear flexible tubing. Order by the foot		3.00	
24062224-36	.810" ID clear tubing - 36" length (available in lengths to 108")		10.00	
M11-0012-010	Mini Hose clamp, 5/8" to 1-1/4". Secures tube to spout		1.20	
09105D	5" ro-bander	2	31.00	.62
09107D	7" ro-bander	2	29.00	.62
09110D	10" ro-bander	2	35.00	.62
09114	14" ro-bander (comes with mounting brackets)	2	66.00	.62
09073673	Attaching bracket for single ro-bander to tool bar.	2	58.00	.62
Field Installed mounting Options				
09073649EMS	Adjustable tool bar mount (14" to 24") fits up to 5" diamond or 7" square tool bar	14	133.00	4.34



Poly Stainless MP+3 Multipurpose Applicator

Fertilize, Seed, or Apply Granules with One Applicator. Comes with Three Sets of Metering Wheels

- 2.3 cu. ft. (140 lb. capacity for fertilizer at 60 lb. per cu. ft. density / 100 lbs. capacity for seed and chemical) polyethylene hopper with stainless steel housing to resist corrosion. Includes U-frame mount with 1/2" pre-drilled holes and slots for mounting.
- Includes four full-rate black metering wheels for small seeds like alfalfa, canola and granular chemicals; four red metering wheels for small grains such as oats, wheat, rice, barley and fertilizer; four yellow hi-output fertilizer metering wheels. Operator can install from one to four outlets on a single applicator depending upon field requirements. **Note:** For chemical and fertilizer applications requiring less than 4 lbs./acre, customer will need to order half-rate metering wheels.
- Product is fed under the metering wheel to dispense particles down the tube. Positive shutoff when metering stops
- Speed compensated rate if ground driven
- Non-speed compensated electric drive available
- Factory rate charts are based on a drive input to the hopper shaft of 2 or 4 revolutions in 88 feet provided by Gandy ground drive or a user-made sprocket and chain drive from a parent implement shaft.
- Sprocket cluster package, ordered separately, sets the rates and can control several hoppers set up in line through use of connector tubes.
- Requires 1.5" I.D. tubing with hose clamps to secure tubing to outlet. 7/8" tubing with hose clamps are required when spout adapters are used. Order separately as needed.



SPECIFICATIONS: Neutral polyethylene hopper, heat reflective silver lid with strap latches, positive displacement applicator assembly, Includes red (F) fertilizer, black (C) chemical and yellow (V) hi-output fertilizer metering wheels with open stainless steel housing and see-through weather-guard shield. U-frame bracket with 1/2-inch holes and slots for mounting is included. Internal agitator standard.

EXTRA EQUIPMENT: Rate control sprocket package, drop tubing, hose clamps are ordered separately. Purchaser will have to provide chain and drive sprocket to hopper input shaft from the parent implement's live shaft to provide 2 or 4 rpm in 88-ft. of ground travel to the Gandy input shaft depending on chemical rate, or purchase the Gandy ground drive package.

OPTIONS: Agitator that secures to internal drive shaft is standard equipment; however, if multiple hoppers are mounted in line, connector tubes will be needed to connect each hopper's drive and agitator shafts. Number of in-line hoppers possible will depend on torque created by product being applied.

Part No.	Description	Wt	Price	B. Frt.
09PDMS	Multi-purpose poly stainless applicator with four black metering wheels for small seeds and granular chemicals; four red metering wheels for small grains and fertilizer; four yellow hi-output fertilizer metering wheels. Includes four spout adapters for use with granular chemical; U-frame mounting bracket with 1/2" pre-drilled holes and slots for mounting and internal agitators. Operator can configure applicator from one to four outlets. Blank plates included to block off unused outlets.	39	805.00	12.09

Continued on Next Page...



Poly Stainless MP+3 Multipurpose Applicator

Fertilize, Seed, or Apply Granules with One Applicator. Comes with Three Sets of Metering Wheels

DRIVE PACKAGES (Required to Complete Applicator)

Part No.	Description	Wt	Price	B. Frt
Speed Compensating Ground Drive				
09094903	Speed-compensated ground drive package with 4801400x8, 4-ply tire. Attaches to diamond or flat tool bar, includes drive sprockets and chain.	85	800.00	27.00
12V Electric Drive (Complete with on/off switch, drive sprockets, chain and guard.)				
09099934	12-volt, 4 amp, 1/64 hp electric motor Drives up to two hoppers.		310.00	
09004956	12-volt, 25A 1/4 hp heavy-duty electric motor. Drives up to 8 hoppers		1136.00	
Rate Control Sprockets				
09099934	Set of 12 sprockets to regulate application rates when an electric or ground drive is chosen. Includes sprockets, stub connector, chain and guard	6	191.00	1.86

APPLICATOR TUBING

Part No.	Description	Wt	Price
M06-1500-010	1.5" I.D clear flexible tubing, order in foot lengths		2.85
M11-0024-000	Hose clamp 1-2"		1.60
M06-0875-000	7/8" I.D clear flexible tubing. Order by foot. For use when seeding or applying low rate of granular chemicals and require smaller tube for opener placement. Tubing is used w/ spout adapter #09094899-9 for granular chemical applications		3.00
M11-0012-010	Hose clamp, 5/8 to 1-1/4". For use with 7/8" I.D. tubing		1.68

OPTIONAL CONNECTOR PACKAGES WHEN MOUNTING MULTIPLE HOPPERS IN-LINE

Part No.	Description	Wt	Price	B. Frt
09074321	Connector drive tube, use to connect metering shaft or drive shaft in line up, to 42" spacing. Note: if agitators are used separate connector drive tubes will be needed to connect the drive shafts and agitator shafts.	3	68.00	.93
09074323	Connector drive tube, use to connect metering shaft or drive shaft in line up, to 80" spacing. Note: if agitators are used separate connector drive tubes will be needed to connect the drive shafts and agitator shafts	4	80.00	1.24

FIELD INSTALLED OPTIONS AND WEAR PARTS

Part No.	Description	Wt	Price	B. Frt.
09099931	Agitator replacement, package 2-piece		29.00	
628751-75	Black chemical metering wheel with cavity inserts		16.00	
M10-0001-040	Red (F) fertilizer wheel		8.00	
M10-0001-055	Yellow (V) hi-output fertilizer metering wheel. Rate is 1.6x over red wheel. Note: may meter more product volume than system can deliver		8.00	
M10-0001-100	Metering cup		7.00	
09096921	Half-rate black chemical wheel and spaver package	1	36.00	.31
09096921R	Half-rate red fertilizer wheel and spacer package	1	50.00	.31
09099946	Latch package for poly hopper lid (replacement)		38.00	
M05-0000-008	Rubber replacement latch only, 4"		17.00	
09094899-9	Insert adaptor for metering cup to accept 7/8" I.D. tubing		5.00	
C08-0138-30	#6-32 sheel metal screw		.05	
Field Installed mounting options				
09073649EMS	Adjustable tool bar mount (14-24") fits up to 5" diamond or 7" sq tool bar	14	136.00	4.34



Convertible Handle Lawn Roller

Rugged Gandy Rollers For Ground Maintenance

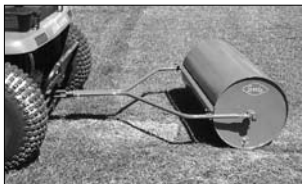


24" Lawn Roller

Shown here in push handle position.

36" Roller

In tractor tow-position



The Gandy rollers are a unique design which permits quick-flip handle/hitch conversion: Remove wing nuts and bolts, flip other way, replace bolts to wing nuts. It's versatile so rollers can be hitched to tractors for larger expanses of lawn or flipped to push handle for maneuvering close to foundations, ornamentals and within confined spaces.

To keep the units rolling freely, grease fittings are located on each replaceable axle bearing. The axle itself extends completely through the roller drum. All drums have rolled edges. Heavy debris buildup is eliminated by spring-loaded scrapers adjustable to increase desired drum space.

Model #	Description	Wt.	Price	B. Ft.
490871	Aerator, Clamp On 18" x 24" Roller.	83	\$492.00	\$25.73
4908024	18x24" roller w/ convertible handle, zerk fitting, scraper, plug. 280 lbs filled	85	577.00	26.35
49248024	24x24" roller w/ convertible handle, zerk fitting, scraper, plug. 488 lbs filled	110	616.00	34.10
4908036	18x36" roller w/ tow hitch, zerk fittings, scraper, plug. 434 lbs. filled.	178	808.00	55.18
4908048	18x48" roller w/ tow hitch, zerk fittings, scraper, plug.	215	895.00	66.65

Model 24 & 36 Fertilizer Spreaders

2 Foot and 3 Foot Spreaders; Hand Push and Tow Models

Hand models for fertilizer, granular chemicals, and seed. Models 24 and 36 have an adjustable stainless steel bottom and slide which have triangular openings spaced 1-1/8 inches apart for application of granular chemical, fertilizer, seed, etc. Positive shut-off lever closes shutter slide to stop flow. Specially designed steel tri-bar rotor. Bottom snaps off to allow quick removal of bottom and slide for easy cleaning. Porous, oil-impregnated bronze bearings. 12 inch molded plastic wheels with semi-pneumatic tires, or 13 inch pneumatic tires.

Model 24

24" Push Spreader



Model #	Description	Wt	Price	B.Frt.
24 H12	24" Spreader, 1.2 Cu. Ft. (78 lbs); 12" Semi-pneumatic tires & push handle	43	486.00	\$13.33
24 H13	24" Spreader, 1.2 Cu. Ft. (78 lbs); 13" pneumatic tires & push handle	45	559.00	13.95
36 H12	36" Spreader, 1.8 Cu. Ft. (120 lbs); 12" Semi-pneumatic tires & push handle	52	549.00	16.12
36 H13	36" Spreader, 1.8 Cu. Ft. (120 lbs); 13" Pneumatic tires & push handle	43	619.00	13.33
36 T12	Same As 36 H12 With Tow Hitch	52	534.00	16.12
36 T13	Same As 36 H13 With Tow Hitch	53	619.00	16.43



Turf Tender 42 Spreader

Tractor Pull-Type Or Hand-Push Models For Fertilizer, Granular Chemical, and Seed



Model 42T20
42" Spreader
With Pull Hitch



Quick-Change Bases

Bases quickly snap into place allowing spreading of a variety of difficult materials



Designed with adjustable stainless steel bottom and slide which has triangular openings, the Turf Tender is perfect for spreading granular chemicals, fertilizer, seed, etc. Instant removal of the adjustable bottom and slide allows use of fixed rate bottom for application of hard to apply materials such as lime & compost.

STANDARD FEATURES

Hopper: Large-capacity stainless steel hopper holds 3.5 cubic feet, approximately 227 lbs.

Flow Control: 36 triangular openings spaced 1-1/8 inches apart. Shut-off lever brings spreading plate up against bottom to stop flow. Steel tri-bar rotor with oil-impregnated bronze bearings

Wheels: 20" or 26" dia. wheels w/ semi-pneumatic tires.

Dimensions: Overall width: 48.5"; Overall height 30"; Center-to-center wheel spacing 45.75".

Model No.	Description	Wt	Price	B.Frt
42H16	42 Inch Turf Tender, Handle, 16" pneumatic Wheels	95	964.00	29.45
42T16	42 Inch Turf Tender, Tractor Hitch, 16" pneumatic Wheels	95	964.00	29.45
42T20	42 Inch Turf Tender, Tractor Hitch, 20 Inch Wheels	100	1037.00	31.00
42H20	42 Inch Turf Tender, Handle, 20 Inch Wheels	104	1037.00	32.24
42T20D	42 Inch Turf Tender, Tractor Hitch, 20 Inch Dual Wheels	140	1272.00	43.40
42T26	42 Inch Turf Tender, Tractor Hitch, 26 Inch Wheels	117	1103.00	36.27
42H26	42 Inch Turf Tender, Handle, 26 Inch Wheels	121	1103.00	37.57
42T26D	42 Inch Turf Tender, Tractor Hitch, 26 Inch Dual Wheels	158	1450.00	48.98
28A426919	Cover Assembly 42 Turf Tender	9	138.00	2.79
28427159-1	Jigglers, To Eliminate Bridging	5	55.00	1.55
28427159-2	Same As Above	5	55.00	1.55
28427225	Handle for use instead of tow hitch. Note: Req. pole on spreader	10	151.00	3.10
28427013	Tractor Hitch For Use In Place Of Handles, As An Extra	7	112.00	2.17
28 207140	Dual rim, 20": Tire, rim, spacers & hardware. 2 req. per spreader	20	129.00	6.20
28 267140	Dual rim, 26": Tire, rim, spacers & hardware. 2 req. per spreader	28	181.00	8.68
28 427852-12S	FIXED RATE BOTTOM, 3/16 Inch Slot, Entire Length	5.3	45.00	1.55
28 427852-16S	FIXED RATE BOTTOM, 1/4 Inch Slot, Entire Length	5.3	45.00	1.55
28 427852-20S	FIXED RATE BOTTOM, 5/16 Inch Slot, Entire Length	5.3	45.00	1.55
28 427852-24S	FIXED RATE BOTTOM, 3/8 Inch Slot, Entire Length	5.3	45.00	1.55
28 427852-28S	FIXED RATE BOTTOM, 7/16 Inch Slot, Entire Length	5.3	45.00	1.55
28 427852-32S	FIXED RATE BOTTOM, 1/2 Inch Slot, Entire Length	5.3	45.00	1.55
28 427852-40S	FIXED RATE BOTTOM, 5/8 Inch Slot, Entire Length	5.3	45.00	1.55
28 427852-48S	FIXED RATE BOTTOM, 3/4 Inch Slot, Entire Length	5.3	45.00	1.55
28 427852-64S	FIXED RATE BOTTOM, 1 Inch Slot, Entire Length	5.3	45.00	1.55
28 427852-96S	FIXED RATE BOTTOM, 1-1/2 Inch Slot, Entire Length	5.3	45.00	1.55



6500 Series Spreaders

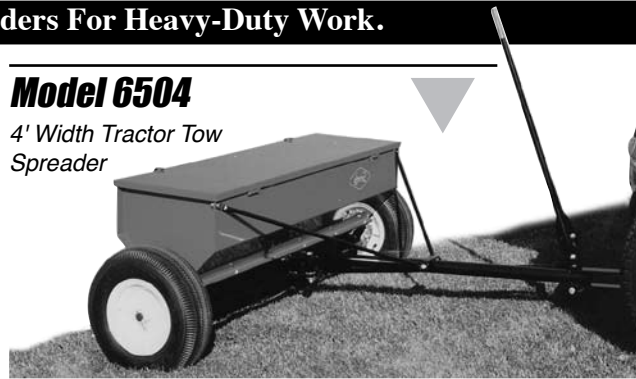
Rugged 4, 5, & 6 Foot Spreaders For Heavy-Duty Work.

These models are ideal companions for lawn and garden use, nurseries, parks, estates, and golf courses. Models in the 4-ft. and 5-ft. sizes can be ordered with a handle for maneuverability in small areas.

The 6500 Series has a choice of adaptations: trailing models or 3-pt. hitch units with hydraulic, electric and wheel drive. Hydraulic shutoff is available for models with hand shutoff lever. Options include jiggers to agitate materials that might tend to bridge and which attach inside the hopper against the rotor.

Model 6504

4' Width Tractor Tow Spreader



STANDARD EQUIPMENT:

Bottom and Slide: Precision-mated. Cold milled steel; adjustable spread plate.

Tires: 16" pneumatic tires with nylon composite rim for 4 and 5' models. 20" and 26" semi-pneumatic tires on disc wheels available; 18" high-flotation pneumatic tires with steel rim on 6 foot and 3-Pt. hitch models.

Hole Size and Spacing: 1" openings on all spreaders.

Capacities: 6504 - 4 cu ft, 260 lbs. (approx); 6505 - 5 cu ft, 325 lbs (approx); 6506 - 6 cu ft, 390 lbs (approx).

Ground Clearance: 16" tires-6"; 18" tires-7"; 20" tires-8"; 26" tires-11".

Finish: Poly powder-coated baked-on finish, green.

Model	Description	Wt.	Price	B. Frt.
6504H16	4' spreader, push handle. 16" pneumatic tires	193	1552.00	59.83
6504H18	4' spreader, push handle. 18" pneumatic tires	218	1649.00	67.58
6504H20	4' spreader, push handle. 20" x 1-3/4" semi-pneumatic tires	207	1549.00	64.17
6504H26	4' spreader, push handle. 26" x 2" semi-pneumatic tires	228	1615.00	70.68
6504T16	4' spreader, tractor hitch. 16" pneumatic tires, steel rim	193	1642.00	59.83
6504T18	4' spreader, tractor hitch. 18" pneumatic tires	218	1762.00	67.58
6504T20	4' spreader, tractor hitch. 20" x 1-3/4" semi-pneumatic tires	207	1686.00	64.17
6504T26	4' spreader, tractor hitch. 26" x 2" semi-pneumatic tires	228	1692.00	70.68
6504TR16	4' spreader, 3-pt hitch. End wheel drive, 16" pneu. tires, steel rim	361	2228.00	111.91
6504TR18	4' spreader, 3-pt hitch. End wheel drive, 18" pneumatic tires	261	2344.00	80.91
6504TR20	4' spreader, 3-pt hitch. 20" x 1-3/4" semi-pneumatic tires	250	2078.00	77.50
6504TR26	4' spreader, 3-pt hitch. 26" x 2" semi-pneumatic tires	271	2112.00	84.01
6504PTH	4' spreader, 3-pt hitch. Hyd or electric drive purchased separately	318	1694.00	98.58
6505H16	5' spreader, push handle. 16" pneumatic tires, steel rim	229	1771.00	70.99
6505H18	5' spreader, push handle. 18" pneumatic tires	254	1784.00	78.74
6505T16	5' spreader, tractor hitch. 16" pneumatic tires, steel rim	229	1702.00	70.99
6505T18	5' spreader, tractor hitch. 18" pneumatic tires	254	1820.00	78.74
6505T20	5' spreader, tractor hitch. 20" x 1-3/4" semi-pneumatic tires	243	1717.00	75.33
6505T26	5' spreader, tractor hitch. 26" x 2" semi-pneumatic tires	264	1753.00	81.84
6505TR16	5' spreader, 3-pt hitch. End wheel drive, 16" pneumatic tires	361	2228.00	122.74
6505TR18	5' spreader, 3-pt hitch. End wheel drive, 18" pneumatic tires	297	2343.00	92.07

6500 Series Pricing Info. Continued on Next Page...



6500 Series Spreaders

Rugged 4, 5, & 6 Foot Spreaders For Heavy-Duty Work.

Model	Description	Wt.	Price	B. Ft.
6505TR20	5' spreader, 3-pt hitch. 20" x 1-3/4" semi-pneumatic tires	286	2097.00	88.66
6505TR26	5' spreader, 3-pt hitch. 26" x 2" semi-pneumatic tires	307	2132.00	95.17
6506T16	6' spreader, tractor hitch. 16" pneumatic tires, steel rim	288	1762.00	89.28
6506T18	6' spreader, tractor hitch. 18" pneumatic tires	292	1880.00	90.52
6506T20	6' spreader, tractor hitch. 20" x 1-3/4" semi-pneumatic tires	281	1708.00	87.11
6506T26	6' spreader, tractor hitch. 26" x 2" semi-pneumatic tires	302	1743.00	93.62
6506TR16	6' spreader, 3-pt hitch. End wheel drive, 16" pneumatic tires, steel rim	381	2344.00	118.11
6506TR18	6' spreader, 3-pt hitch. End wheel drive, 18" pneumatic tires	340	2373.00	105.40
6506PTH	6' spreader, 3-pt hitch. Hydr or electric drive purchased separately	415	1784.00	128.65
Options And Accessories				
069242	Tractor hitch bundle with lever shut-off	15	\$220.00	4.65
06A5520	Push handle bundle, as an extra	10	156.00	3.10
65A16	16" wheel pkg of 2: steel hubs & rims, pneumatic tires	15	218.00	4.65
65A18	18" wheel pkg of 2: steel hubs & rims, pneumatic tires	40	406.00	12.40
65A20	20" wheel pkg of 2: steel hubs & rims, & semi-pneumatic tires	29	291.00	8.99
65A26	26" wheel pkg of 2: steel hubs & rims, semi-pneumatic tires	50	390.00	15.50
6518-4	Hub to adapt 15 x 15K rim for 6.70 x 15 tire; order two per spreader	-	193.00	-
R01-0015-020	Rim only, 15 x 15K for 6.70 x 15 tire	-	77.00	-
R02-0015-010	Tire only, 6.70 x 15, 4 ply rib tubeless. Order 2 per spreader.	-	161.00	-
6513	Electric drive pkg, 12V for 3-pt hitch	25	1029.00	7.75
6512	Hydraulic drive package, less hoses for 3-pt hitch	25	904.00	7.75
659711	Hydraulic shutoff attachment	6	415.00	1.86
0107813	Bolt on hole closures, one per opening	1	15.00	.31
0107890	Deflectors for sidedressing or banding	1	69.00	.31
0185214	4' calibration pan	6	68.00	1.86
01105214	5' calibration pan	7	71.00	2.17
01125214	6' calibration pan	8	74.00	2.48
657	4' Jiggler package	8	126.00	2.48
658	5' Jiggler package	9	144.00	2.79
659	6' Jiggler pkg.	10	161.00	3.10



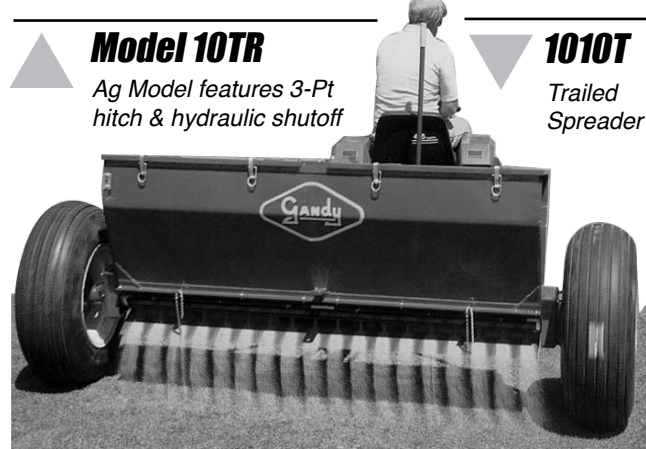
10T Series Spreaders

6, 8, 10, & 12-Foot 3-Point Spreaders For Fertilizer, Granulated Limestone, And Seed

The 10T Series, for specialized agricultural applications and turf work, applies limestone, fertilizer or seed. Bottom openings are 1.5" spaced 4" apart. The 10TR series has all of the same standard equipment as the 10T with the addition of a 3-pt hitch and hydraulic shutoff.

STANDARD EQUIPMENT:

- Capacity:** 1.5 cu. ft. per foot of hopper length
- Bottom:** Stainless steel bottom & slide, punched as mated pairs for uniform opening at all settings. Precision rate gauge is standard. 10T has shut-off lever; 10TR has hyd shutoff.
- Rotors:** Shur-feed rotors with removable stub drive
- Wheels:** 15" x 5K rims without tires can be "dished" in or out for wide or narrow wheel spacing
- Covers:** Weather-tight removable, reversible with spill guards; 2 lock-down latches on each cover.
- Rear Hitch:** Hitch at back for trailing other machines.



Model 10TR

Ag Model features 3-Pt hitch & hydraulic shutoff

1010T

Trailed Spreader

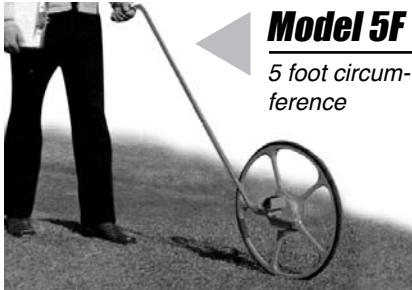
Model	Capacity	Spread width	Wheel Tread	Overall Width	Openings	Hitch
1006T	600 lbs (9 cu ft)	6 foot	86" (wheels dished in)	99"	18	Tow
1008T	800 lbs (12 cu ft)	8 foot	110" (wheels dished in)	123"	24	Tow
1010T	1000 lbs (15 cu ft)	10 foot	134" (wheels dished in)	147"	30	Tow
1012T	1200 lbs (18 cu ft)	12 foot	158" (wheels dished in)	171"	36	Tow
1006TR	600 lbs (9 cu ft)	6 foot	86" (wheels dished in)	99"	18	Cat II 3-pt
1008TR	800 lbs (12 cu ft)	8 foot	110" (wheels dished in)	123"	24	Cat II 3-pt
1010TR	1000 lbs (15 cu ft)	10 foot	134" (wheels dished in)	147"	30	Cat II 3-pt
1012TR	1200 lbs (18 cu ft)	12 foot	158" (wheels dished in)	171"	36	Cat II 3-pt

Model No.	Description	Wt	Price	B.Frt
1006T	6' Spreader. Tractor tow hitch.	500	\$4113.00	\$155.00
1008T	8' Spreader. Tractor tow hitch	577	4458.00	178.87
1010T	10' Spreader. Tractor tow hitch	650	4878.00	201.50
1012T	12' Spreader.	715	5312.00	221.65
1006TR	6' Ag Spreader. Category II Three-point mount	579	5291.00	179.49
1008TR	8' Ag Spreader. Category II Three-point mount	675	5552.00	209.25
1010TR	10' Ag Spreader. Category II Three-point mount	768	5814.00	238.08
1012TR	12' Ag Spreader. Category II Three-point mount	853	6075.00	264.43
RO2-0015-010	One 6:70 x 15 tire & tube, 4 ply, to fit std. rim. 2 req per spreader	18	161.00	5.58
RO2-0015-020	Optional wide base 11L15 tire & tube, two req. per spreader	36	188.00	11.16



Measuring Wheels

Gandy Measuring Wheels: For Accurate Measurement As Fast As You Can Walk.



Simple, accurate measuring wheels allow you to measure distance fast as you can walk. Available in direct reading 5 ft, 10 ft and 1.5 meter sizes. All have a quick-reset counter that records distance and subtracts in reverse. Assembled except for telescoping handle. Ships UPS.



Quick-Reset Meter
5F and 10F read in feet, 1.5M in meters

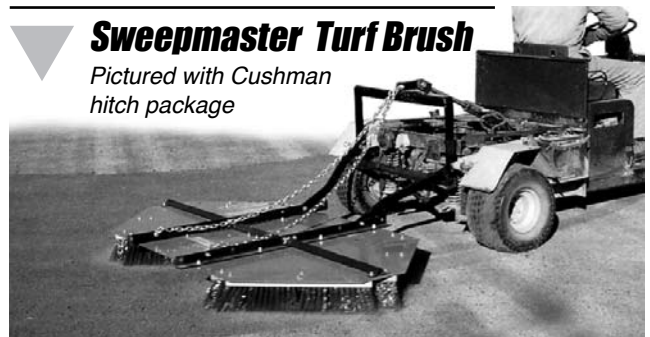
Model	5F	10F	1.5M
Circumference	5 Feet	10 Feet	1.5 Meters
Counter:	quick reset; reads in feet	quick reset; reads in feet	quick reset; reads in meters
Wheel:	rubber-tired five spoke;	four-spoke tubular steel	rubber-tired five-spoke;
Drive:	enclosed gear drive;	enclosed gear drive;	enclosed gear drive;
Handle:	telescoping w/ pistol grip	telescoping "T" handle;	telescoping w/ pistol grip;
Weight:	10 lbs.	14 lbs	10 lbs.
Price:	\$ 246.00	\$ 246.00	\$ 253.00
Back Freight:	3.10	4.34	3.10

Sweep Master Turf Brush

Gandy Sweep Master: Simply A Proven Better Way To Brush!

The angled double-diamond brushes of the Sweepmaster blend top dressing and other turf building materials into the surface of greens, tees, and fairways for tops in maintenance and immediate playability. Use on athletic fields for a neat, clean groomed appearance.

- Chassis:** 11 ga. steel base plate; 40 x 78 in.
- Brushes:** Mildew resistant poly in cloverleaf config.
- Hitch:** Standard package includes tractor hitch and two 13 x 500-6 tires. Optional Cat 0 and I packages for most utility tractors



Sweepmaster Turf Brush
Pictured with Cushman hitch package

No.	Description	Wt	Price	B. Ft.
490892	Sweep Master deck w/ brushes, deck crossmember & hardware	192	852.00	59.52
490893	Cat. 0 3-Point hitch, (mounting arms, hitch, & pivot chains)	17	203.00	5.27
490894	Trailer hitch (hitch, wheel frame, wheels & locking pins)	32	283.00	9.92
490895	Cat. I 3-Pt hitch, (mounting arms, hitch, pivot chains & yoke pin)	25	350.00	7.75
4927A	Hyd. Kit for 490894: cylinder, hoses, pivot arm, lift arms, & hardware	25	691.00	7.75
498	Hyd. lift kit for Cushman: hitch arms, u-bar mount, chains & hardware	51	255.00	15.81
M13-0024-000	Single replacement brush	4	35.00	1.24
4908BRUSH	Carton of 8 replacement brushes	31	208.00	9.61



SP Series Pull-Type Spreaders

Three point • Steel Hopper • 130 to 390 lb. capacity • Spreading width: 20 ft.



Model SP

Pull-type spreader

Model SP Specifications			
Model	SP-50	SP-100	SP-150
Capacity	10.6 gal	26.4 gal	39.6 gal
Spreading width	6 -20'	6 -20'	6 - 20'
Max load	400 lbs.	400 lbs	400 lbs.
No of Disks	1	1	1
A	31.9"	31.9"	33.9"
B	55.5"	57.8"	59.8"
C	33.9"	40.6"	43.7"

Model	Capacity	Weight	Price
SP-50	130 lbs.	82 lbs.	\$851.00
SP-100	260 lbs.	88 lbs.	865.00
SP-150	390 lbs.	95 lbs.	887.00

XA Series Three-Point Spreaders

Three point • Steel Hopper • 440 to 1320 lb. capacity • Spreading width: 65 ft.



Model XA Specifications				
Model	XA 250	XA 300	XA 400	XA 500
Capacity	53 gal	66 gal	79 gal	92.5 gal
Spread	20-60'	20-60'	20-60'	20-60'
Max load	1200 lbs	1200 lbs	1200 lbs	1200 lbs
Weight	103 lbs	105 lbs	110 lbs	115 lbs
Discs	1	1	1	1
Rate adj	lever	lever	lever	lever
Deflector	90-180°	90-180°	90-180°	90-180°
A	44."	46"	47"	48"
B	39"	42"	45"	47"
C	38"	41"	43"	45"

Model	Capacity	Weight	Price
XA-250	748 lbs.	103 lbs.	\$543.00
XA-300	880 lbs.	105 lbs.	556.00
XA-400	1100 lbs.	110 lbs.	572.00
XA-500	1320 lbs.	115 lbs.	587.00

SP spreaders can be purchased assembled for an additional net charge of \$40.00
 XA/XAR spreaders can be purchased assembled for an additional net charge of \$50.00



XAR Series Pull-Type Spreaders

Pull-Type • Steel Hopper • 440 to 1320 lb. capacity • Spreading width: 65 ft.



Model	Capacity	Weight	Price
XAR-250	748 lbs.	282 lbs.	\$1,879.00
XAR-300	880 lbs.	287 lbs.	1,897.00
XAR-400	1100 lbs.	293 lbs.	1,915.00
XAR-500	1320 lbs.	298 lbs.	1,931.00

Model XA Specifications				
Model	XAR250	XAR300	XAR400	XAR500
Capacity	53 gal	66 gal	79 gal	92.5 gal
Spread	20-60'	20-60'	20-60'	20-60'
Speed	3-8 mph	3-8 mph	3-8 mph	3-8 mph
Max load	881 lbs	881 lbs	881 lbs	881 lbs
Weight	282 lbs	287 lbs	293 lbs	298 lbs
Tongue wt	110 lbs	110 lbs	110 lbs	110 lbs
Discs	1	1	1	1
Rate adj	lever	lever	lever	lever
Deflector	90-180°	90-180°	90-180°	90-180°
A	73"	74"	75"	76"
B	59.4"	59.4"	59.4"	59.4"
C	55"	58"	60"	61"
D	12"	12"	12"	12"

SP spreaders can be purchased assembled for an additional net charge of \$40.00
XA/XAR spreaders can be purchased assembled for an additional net charge of \$50.00

GT-77 Electric Broadcaster

Perfect for homeowners, the GT-77 attaches easily to garden tractors & ATVs.



Specifications	
Hopper capacity	77 lbs. (1.4 cu ft)
Dimensions	15.5" (w) x 21"(l) x 25" (h)
Dosage per acre	.5 lbs/500 sq ft to 500 lbs/acre
Feed Opening	Adjustable: thousandths of inch
Opening Control	Low -- in line with seat
Spread plate	Yes -- Stainless steel
Hopper agitation	vibrating
Fan	4-bladed lapover aluminium
Hopper build	24 ga. galvanized round
Lid	Lid & Spring Included
Bearings	oillite bronze
Mounting	Garden tractor, ATV, and Cat. 0
Powered by	12V Electric Motor

The GT-77 is designed for use with ATVs and Garden Tractors. It features a galvanized steel hopper, and 12V motor with feed control. A fused wiring harness with quick coupler makes attachment and removal of easy.

The GT-77 is equipped with a stainless steel vibrating agitator to coax slow feeding material and a toothed opening plate to control fast feeding materials. Opening gauge easily adjusts material output.

Model	Fits Make	Mountings	Wt.	Price	B.Frt.
GT-77		Garden Tractor Mount	48 lbs	\$440.00	\$21.60
GT-77ATV-JD1	John Deere	Gator	48 lbs	525.00	21.60
GT-77ATV-X	Polaris	all except Trail Blazer & Scrambler	48 lbs	515.00	21.60
GT-77ATV-D		Truck, Farm Tractor, & turf vehicles	48 lbs	515.00	21.60
Seeders For Fire bait Application					
GT-77ATV-A	Seeder for fire bait application- Award	Must Order Mounting Bracket	38 lbs	390.00	17.10
GT-77ATV-C	Seeder for fire bait application- Clinch		38 lbs	390.00	17.10
GT-77ATV-L	Seeder for fire bait application- Logic		38 lbs	390.00	17.10
Optional Accessories					
813	12V/24V Rheostat w/ bracket for ATV models		2 lbs	85.00	.90

I-92 Electric Drive Broadcaster

Electric Motor Drive • 88 or 184 lb. Hopper • Front, Rear Side, and Receiver Hitch mounts

Herd I-92 & I-44 broadcasters are perfect for seeds, insecticides, and herbicides. They can be purchased with a 2" receiver mount, front or side mount. Electric motor makes it ideal for any vehicle — all you need is 12V power.

Specifications	
Hopper size (lbs)	184 lbs
Hopper size (cu ft)	3.5 cu ft
Dosage per acre	2 - 500 lbs.
Coverage	Up to 25 acres/hour
Feed Opening	Adjustable: thousandths of inch
Opening Control	Lower pulley for remote control
Spread plate	Yes — Stainless steel
Hopper agitation	Removable rotating agitator
Fan	4 bladed lap-over aluminum
Hopper build	24 ga. galvanized steel
Lid	Lid & Spring Included
Powered by	12V Electric motor

Model	Description	Wt.	Price	B. Frt
I-92	I-92 broadcaster 144 lb hopper capacity	73 lbs	535.00	32.90
I-92Orchard	I-92 broadcaster — w/ side mnt. orchard kit (808A, 822, 827)	79 lbs	825.00	35.60
Optional Accessories & Kits				
982	Hopper extension kit for I-92; 128 lb. capacity	12 lbs	55.00	5.40
808A	Width control kit — blocking plate, rheostat, collar, & guard	4 lbs	150.00	1.80
822	Front chute kit, complete, for orchard use	8 lbs	220.00	3.60
827	Spout kit, complete with springs and bolts	2 lbs	25.00	.90
813	Rheostat w/ bracket — for 12 and 24 Volts	2 lbs	85.00	.90
660	2" receiver hitch mount	13 lbs	125.00	5.90
544	3 pt hitch kit		125.00	

M-96 PTO-Drive Broadcaster

A handy galvanized steel broadcaster that spreads seeds and fertilizer.

Specifications	
Hopper capacity	192 lbs; 3.75 cu ft
Dosage per acre	2 - 500 lbs.; up to 25 acres/hour
Feed Opening	Adjustable: thousandths of inch
Hopper agitation	Rotating agitator
Fan	4 bladed lap-over aluminum
Hopper build	24 ga. galvanized steel
Mounting	3-Pt Cat. I
Powered by	Quik-Tach shielded PTO shaft



Model	Description	Wt.	Price	B Frt.
M-96	Electric seeder/ spreader; Cat. I three point	80 lbs	\$625.00	\$36.00
982	Hopper extension for M-96 — 128 lb. capacity	12 lbs	60.00	5.40
796 & 913	Lid & spring for M-96 hopper	5 lbs	45.00	2.30

Model 7550 & 50 Broadcasters

PTO Drive • 750 lb. Hopper • Cat I or II Three-Point • Adjustable 3 to 1,000 lbs. per acre



The model 750 spreader allows you to control seed amount down to 3 lbs per acre and fertilizer from 50 lbs to 100 lbs per acre. Pattern control is easily adjusted, enabling you to center the spread of both light and heavy materials.

14 gauge hopper with welded seams practically cleans itself. Round hopper base prevents lodging of material and ensures even feeding.

The heavy, cast iron gearbox has tapered roller bearings, drop forged gears and is filled with gear oil. Mated to a quick-tach shielded, telescoping pto shaft, you get a trouble-free drivetrain.

Model	550	750
Hopper size (lbs)	550 lbs	715 lbs
Hopper size (cu ft)	9 cu ft	12 cu ft
Dosage per acre	3 - 1,000 lbs.	
Coverage	Up to 40 acres/hour	
Feed Opening	Adjustable: thousandths of inch	
Opening Control	Handle (Remote hydraulic opt.)	
Spread plate	Yes — Stainless steel	
Hopper agitation	Removable rotating agitator	
Fan	Aluminum base w/ steel blades	
Hopper base plate	One piece aluminum	
Hopper build	14 ga. steel w/ welded seams	
Lid	optional	
Bearings	Tapered bearings in gearbox	
Mounting	3-Pt Cat. I; Cat II optional	
Gearbox	oil-bathed step-up; 540/1000 rpm	
Powered by	Quik-Tach shielded PTO shaft	

Optional Accessories



Hydraulic Kit

Remote control kit lets you stay in your seat.



2-Piece Lid

2-piece bolt-on lid is perfect for foul weather.



Seed Hopper

Bolt-in hopper lets you spread 2 materials at once.



Trailer Kit

Trailer models and chassis kits are available.

Model	Description	Wt.	Price	B. Frt
550	Model 550 seeder/spreader; Cat I three point	222 lbs	1,400.00	99.90
750	Model 750 seeder/spreader; Cat. I three point	225 lbs	\$1,520.00	101.30
Optional Accessories				
835	Lid for model 750	24 lbs	200.00	10.80
1099	Lid adapter kit for use with Mini-Hopper	2 lbs	60.00	.90
1000	Hyd. kit for remote control (cylinders & hoses not incl.)	31 lbs	375.00	14.00
158	Lime Agitator	4 lbs	60.00	1.80
1090	Small seed hopper w/ handle — 80 lb capacity	29 lbs	535.00	13.10
1028	Small seed hopper controls— 750 & 1200 w/ mini hopper	13 lbs	165.00	5.90
217	Cat II pin Kit	10 lbs	135.00	4.50
248	Hyd motor & valve	22 lbs	950.00	
629	Skid steer plate (for universal mount skid steers)	70 lbs	600.00	

Model 1200 & 2440 Broadcasters

PTO Drive • 1200-2400 lb. Hopper • Cat II Three-Point • Adjustable 3 to 1,000 lbs. per acre

The Herd 1200 & 2440 Broadcasters are time-proven, big capacity workhorses with all the conveniences you want!

Control seed down to 3 lbs per acre and fertilizer from 50 lbs to 100 lbs per acre. Pattern control is easily adjusted, enabling you to center spread of materials.

14 gauge hopper with welded seams practically cleans itself. Round hopper base prevents lodging of material and ensures even feeding. Cast oil-bathed gearbox has tapered roller bearings drop forged gears.



Optional Accessories



Hydraulic Kit

Remote control kit lets you stay in your seat.



2-Piece Lid

2-piece bolt-on lid is perfect for foul weather.



Seed Hopper

Bolt-in hopper lets you spread 2 materials at once.



Trailer Kit

Trailer models and chassis kits are available.

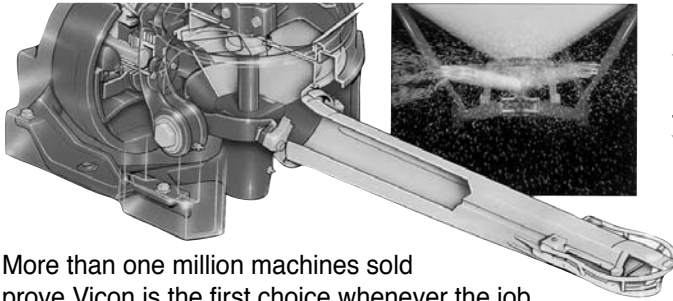
Model	1200	2400
Hopper size (lbs)	1200 lbs	2440 lbs.
Hopper size (cu ft)	20 ft ³	40 ft ³
Dosage per acre	3 - 1,000 lbs.	
Coverage	Up to 40 acres/hour	
Feed Opening	Adjustable: thousandths of inch	
Opening Control	Remote hydraulic control	
Spread plate	Yes — Stainless steel	
Hopper agitation	Removable rotating agitator	
Fan	Aluminum base w/ steel blades	
Hopper base plate	One piece aluminum	
Hopper build	14 ga. steel w/ welded seams	
Lid	optional	
Bearings	Tapered bearings in gearbox	
Mounting	3-Pt Cat. II; also for Quik-Hitch	
Gearbox	oil-bathed step-up; 540/1000 rpm	
Powered by	Quik-Tach shielded PTO shaft	

Model	Description	Wt.	Price	B. Frt
1200C	Model 1200 seeder/spreader; Cat II three point	315 lbs	1,890.00	141.80
2440	Model 2440 seeder/spreader; Cat II three point	525 lbs	3,450.00	226.30
Optional Accessories				
1087	Lid for model 1200C & 1200B	34 lbs	240.00	15.30
1136	Lid for model 2440	51 lbs	295.00	23.00
1099	Lid adapter kit for use with Mini-Hopper	2 lbs	60.00	.90
1000	Hyd. kit for remote control (cylinders & hoses not incl.)	31 lbs	375.00	14.00
158	Lime Agitator	4 lbs	60.00	1.80
1090	Small seed hopper w/ handle — 80 lb capacity	29 lbs	535.00	13.10
841	Nose Cone (For 1200C small seed hopper installation)	5 lbs	40.00	2.30
1037	Nose extension for 2440 w/ small seed hopper	10 lbs	60.00	4.50
1028	Small seed hopper controls— 750 & 1200 w/ mini hopper	13 lbs	140.00	5.90
1039	Small seed hopper hydraulic control for Model 2440	18 lbs	165.00	8.10
248	Hydraulic Motor & valve	22 lbs	950.00	9.90



Superflow Vari-Spreaders

400 to 3700 lb. Capacity • Pendulum Spreading Mechanism • Infinite Rate Adjustment



More than one million machines sold prove Vicon is the first choice whenever the job demands maximum accuracy.

These spreaders come with the quality features that countless farmers have come to expect from Vicon— hopper capacity from 400 to 2200 lbs, adjustable spreading width, easy flow setting, and low filling height. The Vicon "Superflow unit" has a fully balanced flywheel and counterweight on the rear of the unit for smooth, vibration free fertilizer application. A large variety of spouts are available for every farmer's needs — broadcast spreading, band spreading, and one sided banding.

Pendulum Mechanism

Broadcasts with greater accuracy than disc spreaders

Even Spreading

Even spreading of a wide variety of materials



Easy Setting, Calibration, & Maintenance:



Infinite Rate Control

Single Control

Setting a Vari - Spreader 03 Series for a particular application rate, spreading width and fertilizer couldn't be easier -- Just read off the flow rate of your fertilizer from the hopper mounted chart. You find the correct setting straight away and the only control you need to adjust is the setting of the regulating rod.

Quick Lock Spout

To calibrate, all you have to do is remove the spout and let the fertilizer run out into a container for weighing. The Vari - Spreader 03 has a quick lock bayonet fitting spout, so it's a matter of seconds to remove the spout for calibration. This feature is particularly useful when a Varimeter application rate control system is fitted, but will assist in every case to ensure the correct application rate.



Quick-Lock Spout



Easy Lubrication

Lubrication

Grease points are fitted throughout the spreading unit and PTO. When properly lubricated the Vari - Spreader 03 will keep the corrosive effects of fertilizer at bay and run smoothly.

The "Superflow" spreading unit has a fully balanced flywheel and counterweight on the rear of the basin for smooth vibration free operation.

Low Filling Height

For both filling by hand and mechanical means, the overall filling height of the 03 Series is low. Just over one meter for up to one ton capacity.

Hopper extensions are manufactured from a new more flexible material which resists damage when filling.



Low Filling Height





PS Series Spreaders & Accessories

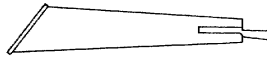

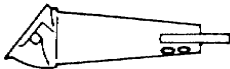

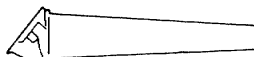



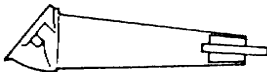






400 to 3700 lb Capacity Three-Point Spreaders and Optional Equipment

Model	Hopper	Spreading Width	Spout	3-point Mount	Wt. (lbs)	List Price	Back Frt.
PS203DM	400 lb reinforced poly hopper w/ agitator	Adjustable to 40'	Snap-loc (17896041)	Cat I or II	250	\$2,358.00	\$140.00
PS303DM	600 lb reinforced poly hopper with agitator	Adjustable to 40'	Snap-loc (17896041)	Cat I or II	260	2,667.00	145.60
PS403DM	950 lb reinforced poly hopper with agitator	Adjustable to 40'	Snap-loc (17896041)	Cat I or II	325	4,036.00	182.00
PS503DM	1200 lb reinforced poly hopper with agitator	Adjustable to 40'	Snap-loc (17896041)	Cat I or II	345	4,406.00	193.20
PS603DM	1400 lb reinforced poly hopper with agitator	Adjustable to 40'	Snap-loc (17896041)	Cat I or II	400	4,166.00	224.00
PS754DM	1670 lb reinforced poly w/ agitator; man or hyd.	Adjustable to 40'; 60' w/ step-up gears	Snap-loc (17896041)	Cat I or II	43	4,166.00	240.80
PS803	1900 lb reinforced poly hopper with agitator	Adjustable to 40'	Snap-loc (17896041)	Cat I or II	450	4,648.00	252.00
PS1003	2200 lb reinforced poly hopper with agitator	Adjustable to 40'	Snap-loc (17896041)	Cat I or II	460	5,133.00	257.60
PS1354	3000 lb reinforced poly w/ agitator; man. or hyd.	Adjustable to 40'; 60' w/ step-up gears	Snap-loc (17896041)	Cat I or II	470	Call	263.20
PS1654	3700 lb reinforced poly w/ agitator. man. or hyd.	Adjustable to 40'; 60' w/ step-up gears	Snap-loc (17896041)	Cat I or II	470	Call	263.20
Spreader Accessories							
90007557	Fine Seed Kit				1	24.00	\$56
79760061	Calibration Sack				2.1	256.00	1.18
PS203-303 Optional Equipment							
90007574	Agitator Extension - Model 203/303				7	101.00	3.92
PS203HC	Hopper Cover - 203				5	210.00	2.80
PS303HC	Hopper Cover - 303				5	218.00	2.80
PS303HE	Hopper Extension - Converts 203 to 303				10	129.00	5.60
PS403-1503 Optional Equipment							
PS754TK	Trailer kit w/ long pto shaft; less rims & tires fits PS603 and larger				825	Call	462.00
PS753TKSW	Pair of tires & Rims for PS754TK Kit				-	Call	-
90007611	Agitator Extension				7	177.00	3.92
PS403RD	Hydraulic Remote Control - Model 403				20	959.00	11.20
PS753RD	Hydraulic Remote Control - Mounted Spreaders				20	959.00	11.20
PS753RT	Hydraulic Remote Control - Trailed Spreaders				25	1333.00	14.00
90009961	Hopper Cover - 403				5	484.00	2.80
PS753HC	Hopper Cover - 603/754				10	429.00	5.60
PS953HC	Hopper Cover - 803/1954				10	440.00	5.60
PS1353HC	Hopper Cover - 1354				10	690.00	5.60
PS1153HE	Hopper Extension Kit Converts 603 to 1003				22	967.00	12.32
PS1353HE	Hopper Extension Kit Converts 753 to 1353				40	934.00	22.40
PS1653HE	Hopper Extension Kit Converts 754 to 1654				45	2,303.00	25.20



PS Series Spreaders & Accessories

Vicon Spouts Give You A Variety of Spreading Options to Match Your Application Needs.

Order No.	Description	Illustration	Spread Pattern	List Price
17896041	Spout - Nylon - 22" Broadcast - 20-46' Standard on Spreader (PS003STS)	-	Broadcast	\$149.05
79220011	Rubber Insert For 17896041 Standard Spout (PS000IL)	-	-	214.42
17895466	Spout - Nylon - 22" Broadcast - 20' to 40' For 02 Series Only	-	-	107.20
17895160	Spout - Nylon - 15" Broadcast - 13' to 26' (PS000SS)			131.25
79760044	Spout - Stainless Steel - 11" Broadcast Salt And Sand (PS000SGS)			371.35
79760045	Spout - Stainless Steel 19" 2 Side Banding - 7-35' (PS000BS)			361.70
79760042	Spout - Stainless Steel - 3.5" 2 Side Banding - 3' to 5' (PS000FS)			307.75
79760041	Spout - Stainless Steel - 19" 1 Side Broadcasting (Left) Up to 20' (PS000AL)			Call
79760040	Spout - Stainless Steel - 19" 1 Side Broadcasting (Right) Up to 20' (PS000AR)			390.55
79760046	Spout - Stainless Steel - 5.5" - Broadcast Salt And Sand - 7' to 14' (PS0005G2)			393.75
79760043	Spout - Stainless Steel - 3.5" - Broadcast - 5' to 7' (PS000NS)			319.15
79760048	Boundry Spout - Fits 03 series only (PS000HL)	-	-	107.15

MultiSpread Topdressers

MS200: 15 cu ft capacity • MS300 22 cu ft capacity, Hyd. Drive • MS320: 23 cu. ft. capacity

The MultiSpread™ topdressers are available in ground drive or a hydraulic drive version. This topdresser utilizes the “widespread beater” system and will spread wet or dry materials. They can be pulled with garden tractor, ATV, utility cart, compact diesel tractor, small articulated tractors, and zero-turn mowers.

Our customers include landscape contractors, lawn care professionals, golf courses, schools, universities, cemeteries, municipalities, parks & recreation facilities, and sports turf managers.



Model	MS220	MS320
Capacity Struck	15.0 cu. ft.	23.0 cu. ft.
Capacity Heaped	20.3 cu. ft	28.0 cu. ft.
Box Width	23.5 in. / 59.7 cm	30.5 in. / 77 cm
Box Length	57 in. / 144.8 cm	73 in. / 185 cm
Overall Height	39.5 in. / 95.3 cm	44 in. / 112 cm
Overall Width	45 in. / 114 cm	59 in. / 149 cm
Overall Length	99 in. / 251 cm	116 in. / 294 cm
Spread Width	36 - 66 in. / 91 - 122 cm	30 - 72 in. / 76 - 182 cm
Weight w/ tires	475 lbs. / 215 kg	780 lbs. / 353.8 kg
Tire Size	20.5 x 8.0 - 10	26.0 x 12 - 12
Delivery System	Chain Drive Conveyor Belt	Chain Drive Conveyor Belt
Drive System	Ground (Traction) Drive	Ground (Traction) Drive
Hopper Build	Steel; 12 and 16 Gauge	Steel; 12 and 16 Gauge
Body Finish	Powder Coating, Baked	Powder Coating, Baked
Unit Hook-up	Hitch Pin	Hitch Pin
Horsepower	16.0 HP / 12.0 kW (Min)	20.0 HP / 15.28 kW (Min)
Payload Capacity	1725 lbs. / 783 Kg (Max)	2900 lbs. / 1315 Kg (Max)

Part No.	Description	Wt (lbs)	List	B Frt
220	200 Multispread topdresser (ground drive)	710	\$3,614.00	362.10
220H	200 Multispread topdresser (hyd. drive)	695	4,820.00	354.45
0320	320 Multispread topdresser (ground drive)	1000	6,256.00	510.00
0300HBT	300 Hydraulic Multispread with widespread beater	1100	7,207.00	561.00
Options				
2AWK	Adjustable wing kit for rear shield	5	90.00	2.55
2LC	Loading Chute for 200 Series	15	133.00	7.65
2LMS	Light material side for 0200		561.00	
32LC	Loading chute for 0320		151.00	
32LMS	Light material sides for 0320		636.00	

Truflow TopDresser

24D: 3 cu ft, Push-type • 36D 10 Cu Ft., pull hitch • 54D 15 cu ft, Pull hitch



Model	24-D	36-D	54-D
Struck Capacity	3 cu ft	10 cu ft	15 cu ft
Heaped Vol.	N/A	11.1 cu ft	16.9 cu ft
Box width	27 in	38 in	56 in
Box Length	21 in	24 in	24 in
Overall Height	38 in	36 in	37 in
Overall Width	36 in	57 in	79 in
Overall Length	31 in	65 in	65 in
Spread Width	24 in	36 in	54 in
Tire size	4.8 x 4 x 8 4.8 x 4 x 6	16.5 x 6.5 x 8	18 x 8.5 x 8
Drive System	Ground	Ground	Ground
Hitch	Push handle	pin hitch	pin hitch
HP Required	N/A	Min. 12 HP	Min. 16 HP
Payload	350 lbs	1200 lbs	1630 lbs

- Eliminates the backbreaking work of shoveling top dressings by hand.
- Simple exclusive design and simplified components make these units cost effective to own and operate
- Pull-behind units turn on and off from tractor seat.
- Adjustable rate handles variable particle sizes.

Part No.	Description	Wt	List	B. Frt.
024D	24D Push-Handle TruFlow Topdresser	130	876.00	66.30
036D	36D Pull-type TruFlow Topdresser	200	2,316.00	102.00
054D	54D Pull-type TruFlow Topdresser	425	2,786.00	216.75
2LC	Loading Chute	15	133.00	7.65

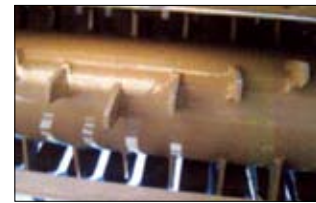
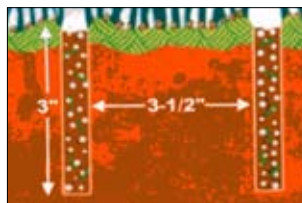
Linear Aerator

Extra Heavy-Duty Construction • 8 to 14 Foot Working Width • 3/4" Pull Hitch

Linear aeration can soften turf on athletic fields. Soil and thatch restriction are permanently modified by the process of cutting vertical grooves, then filling with topdressing materials. Improves water infiltration and retention, turf and root growth, nutrient absorption, and organic decomposition.



Weight	1035 lbs
Shipping Weight	1225 lbs
Rotor width	60 inches
Aerating Width	58 inches
Overall Width, mounted	72.4 inches
Recommended Tractor HP	35-45
Recommended PTO Speed	540 RPM max
Rotor RPM at PTO speed	168 RPM
Drive Chain	100H
Hitch type	Cat I, 3-pt



Part No.	Description	Wt	List	B. Frt.
LA60	Linear Aerator	1050	14,442.00	535.50

Pronovost Hydraulic Dumping Trailers

For A Complete Listing of Pronovost Model Specifications, See Page H-4

Pronovost dumping trailers are designed to meet the most demanding requirements. They feature heavy duty construction, polyurethane paint, a sturdy frame and reinforced floor, removable side panels, and a swivel hitch.

A wide range of sizes are available, so there's one perfect for everybody's needs. Precision engineering and impeccable finish set these trailers apart from other trailers. Dependable and built for intensive use.

Highway trailers are built to DOT specs only.



Model	Description	Wt (lbs)	List Price	Back Ft
P-503	1.5 ton trailer— hydraulic rear dumping			
	<ul style="list-style-type: none"> • 50" x 69.5" bed • 12" removable panels. • 2-way opening back panel • Tandem axle w/ four 18.5 x 8 turf tires. • Double action cylinder • Swivel hitch 	565	\$3,517.00	192.10
P-505	2.5 ton trailer -- hydraulic rear dumping			
	<ul style="list-style-type: none"> • 60 x 94" bed • 14" removable panels. • Tandem axle • four (23 x 10.5 x 12) 4-ply turf tires. • Double action cylinder • Swivel hitch. 	1450	6,293.00	362.00
P-508/3S	4 ton trailer -- hydraulic three-sided dumping			
	<ul style="list-style-type: none"> • 63" x 99" bed • 14" removable panels. • Single axle with two 11L15 tires. • Single action cylinder • swivel hitch 	1775	6,957.00	603.50
P-509-60	4 ton trailer -- hydraulic rear dumping			
	<ul style="list-style-type: none"> • 6' x 9' bed • Single axle • Two 11L15 tires. • Double action cylinder • Swivel hitch. 	1885	6,690.00	640.90

Pronovost Dump Trailers Continued on Next Page...




Hydraulic Dumping Trailers (Cont'd)

For A Complete Listing of Pronovost Model Specifications, See Page H-4

Model	Description	Wt (lbs)	List Price	Back Frt
P-510/3S	5 ton trailer -- hydraulic three-way dumping			
	<ul style="list-style-type: none"> • 62x99" bed • 14" x 12g removable side panels. • Tandem axle • Four (11L 15) 8 ply tires. • Single action cylinder • Swivel hitch 	1850	8,500.00	629.00
P-511-60	5 ton trailer -- hydraulic rear dumping			
	<ul style="list-style-type: none"> • 71 x 105" bed • 14" x 12g removable panels. • Tandem axle • Four (11 L15) 8 ply tires. • Double action cylinder • Swivel hitch. 	1860	7,395.00	632.40
P-516	8 ton trailer -- hydraulic rear dumping			
	<ul style="list-style-type: none"> • 60 x 118" bed • 16" x 12g removable side panels. • Tandem axle • Four (11 L15) 8 ply tires. • Two double action cylinders • swivel hitch 	1980	8,193.00	673.20
	P-516G -- P-516 trailer with grain door	1980	8,637.00	495.00
P-516/3S	8 ton trailer -- hydraulic rear dumping			
	<ul style="list-style-type: none"> • 90 x 120" bed • 16" x 12g removable side panels. • Tandem axle • Four (11 L15) 8 ply tires. • Double action cylinder • swivel hitch 	1980	11,039.00	673.20
P-524	12 ton trailer -- hydraulic rear dumping			
	<ul style="list-style-type: none"> • 84 x 138" bed • 24" x 12g removable side panels. • Tandem axle • Four (12.5 L15) 11 ply tires. • Single action cylinder • Grain door • swivel hitch 	1980	15,875.00	673.20



Highway Service Trailers

For A Complete Listing of Pronovost Model Specifications, See Page H-4

Model	Description	Wt (lbs)	List Price	Back Frt
P-50710/4E	3.5 Ton Highway Service Trailer -- Hydraulic Three-Way Dumping			
	<ul style="list-style-type: none"> • 62 x 99" bed w/ 14" removable panels. • Tandem axle w/ four (ST205/75R14) tires. • Single action cylinder w/ 12v hyd. pump • Ball hitch & safety chain • Electric brakes, lights, spring suspension 	1850	11,341.00	673.20
P-50711/4E	3.5 Ton Highway Service Trailer -- Hydraulic Rear Dumping			
	<ul style="list-style-type: none"> • 71 x 105" bed w/ 14" removable panels. • Tandem axle w/ four (ST205/75R14) tires. • Double action cylinder w/ 12v hyd. pump • Ball hitch & safety chain • Electric brakes, lights, spring suspension 	1850	10,756.00	462.50
P-5103S/4E	5 Ton Highway Service Trailer -- Hydraulic three-Way Dumping			
	<ul style="list-style-type: none"> • 90 x 120" bed w/ 16" removable panels. • Tandem axle w/ four (ST225/75R14) tires. • Single action cylinder w/ 12v hyd. pump • Ball hitch & safety chain • Electric brakes, lights, spring suspension 	1850	15,159.00	673.20

Optional Accessories

Pronovost Self Contained Hydraulic Systems For Greater Mounting Flexibility

Model	Illustration	Description	Price	B. Frt
PHM3003		Manual hyd. pump for P-503 trailer.	\$758.00	10.54
Electric Hydraulic Pumps for pronovost Trailers. Must order battery holder				
P503PHE		12V hydraulic pump for P-503 & P-503H	1,318.00	-
P510PHE		12V hydraulic pump for P-50710/4E	1,491.00	-
P516PHE		12V hydraulic pump for P-516/3S & P-5103S/4e	1,491.00	-



Specifications

Service	Agricultural							Highway							
	P-503	P-505	P-508/3S	P-509-60	P-510/3S	P-511-60	P-516	P-516G	P-516/3S	P-524	P-503H	P-507/4EP-50711/4EP-5103S/4E			
GROSS WEIGHT	1.5 tonnes	2.5 tonnes	4 tonnes	4 tonnes	5 tonnes	5 tonnes	8 tonnes	8 tonnes	8 tonnes	12 tonnes	1.5 tonnes	3.5 tonnes	3.5 tonnes	3.5 tonnes	5 tonnes
BOX (dimensions)	50"x72"x12G	5'8"x316"	5'3"x83"x316"	6'8"0"x316"	5'3"x83"x316"	6'8"0"x316"	5'10"x316"	5'10"x316"	7'5"x10"x316"	7'12"x316"	50"x72"x12G	5'3"x83"x316"	5'3"x83"x316"	5'3"x83"x316"	7'5"x100"x316"
SIDE PANEL	12" x 12G	14" x 12G	14" x 12G	14" x 12G	14" x 12G	14" x 12G	16" x 12G	16" x 12G	16" x 12G	24" x 12G	12" x 12G	14" x 12G	14" x 12G	14" x 12G	16" x 12G
FRONT/BACK PANEL (removable)	12"x14"x12G	19" x 12G	19" x 12G	19" x 12G	19" x 12G	19" x 12G	24" x 12G	24" x 12G	24" x 12G	32" x 12G	12"x14" x12G	19" x 12G	19" x 12G	19" x 12G	24" x 12G
PLATFORM HEIGHT	22"	34"	33"	33"	33"	33"	32"	32"	35"	39"	22"	34"	33"	33"	35"
OVERALL LENGTH	7'6"	12'0"	11'6"	12'3"	11'6"	12'3"	14'6"	14'6"	14'0"	16'6"	7'6"	11'6"	11'6"	12'3"	14'0"
OVERALL WIDTH	4'5"	5'4"	5'8"	5'10"	5'8"	5'10"	7'5"	7'5"	7'11"	7'6"	4'5"	5'8"	5'8"	5'10"	7'11"
OVERALL HEIGHT	36"	55 1/2"	60"	60"	60"	60"	62"	62"	65"	72"	36"	60"	60"	60"	65"
FREE HEIGHT/MAX. LIFT	10"	15"	20"	14"	20"	20"	15"	15"	20"	20"	10"	20"	20"	20"	20"
THREAD WIDTH	36 1/4"	44 1/2"	51"	60"	51"	60"	74"	74"	75"	72 1/2"	36 1/4"	52 1/2"	61 1/2"	78"	78"
DUMPING ANGLE (back)	47 deg.	47 deg.	47 deg.	47 deg.	47 deg.	47 deg.	47 deg.	47 deg.	47 deg.	47 deg.	47 deg.	47 deg.	47 deg.	47 deg.	47 deg.
DUMPING ANGLE (2 sides)	47 deg.	..	47 deg.	47 deg.	47 deg.	47 deg.
GRAIN DOOR	Std.	..	Std.
AXLE	Tandem	Tandem	Single	Single	Tandem	Tandem	Tandem	Tandem	Tandem	Tandem	Tandem	Tandem	Tandem	Tandem	Tandem
SUSPENSION
HUBS	4 bolts	5 bolts	6 bolts	6 bolts	6 bolts	6 bolts	6 bolts	6 bolts	6 bolts	6 bolts	4 bolts
HUB CAPACITY	1000 lbs	2500 lbs	5000 lbs	5000 lbs	4000 lbs	4000 lbs	5000 lbs	5000 lbs	5000 lbs	5500 lbs	1000 lbs
SPINDLES	1 1/4"	1 3/4"	2"	2"	1 3/4"	1 3/4"	2"	2"	2"	2 1/4"
WHEELS	4	4	2	2	4	4	4	4	4	4	4	4	4	4	4
WHEEL DIMENSION	8.5" x 8"	12" x 8.5"	15" x 8"	15" x 8"	15" x 6"	15" x 6"	15" x 8"	15" x 8"	15" x 8"	15" x 10"	8.5" x 8"	14" x 6"	14" x 6"	15" x 6"	15" x 6"
TIRES (standard)	18 x 8.5 x 8"	23" x 10.5" x 12"	11L15 8p	11L15 8p	9.5L15 6p	11L15 6p	11L15 8p	11L15 8p	11L15 8p	12.5L15 10p	18.5x8.5x8	ST205/75R14	ST205/75R14	ST225/75R15	ST225/75R15
HITCH: CLEVIS/SWIVEL	standard	standard	standard	standard	standard	standard	standard	standard	standard	standard	option	option	option	option	option
HITCH: BALL COUPLER	std. 2"	std. 2 5/16"	std. 2 5/16"	std. 2 5/16"	std. 2 5/16"
ELECTRIC BRAKES
LIGHT SYSTEM (12 V)
OIL VOLUME REQUIRED	5 L	..	5 L
CYLINDER	1 double ac	1 double ac	1 single ac	1 double ac	1 single ac	1 double ac	2 double ac	2 double ac	1 single ac	1 single ac	1 double ac	1 double ac	1 double ac	1 double ac	1 single ac
BRAKE AWAY KIT
BATTERY (12V)
SAFETY CHAINS
TOTAL WEIGHT	565 lbs	1550 lbs	1775 lbs	1885 lbs	1850 lbs	1960 lbs	1980 lbs	1980 lbs	1980 lbs	3400 lbs	565 lbs	1850 lbs	1850 lbs	1925 lbs	3180 lbs

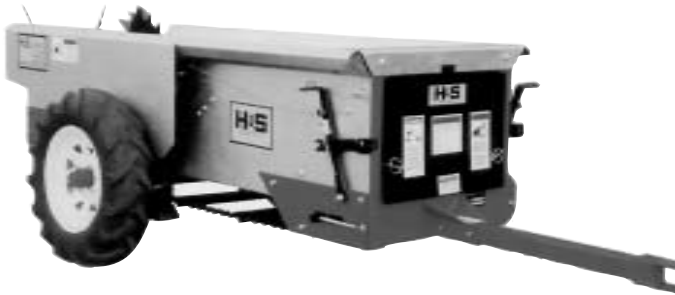
*Turf Saver (4 ply)

Design and specifications subject to change without notice



Model MS25 - Ground Drive

25 Bushel Capacity • Ground Drive



Features:

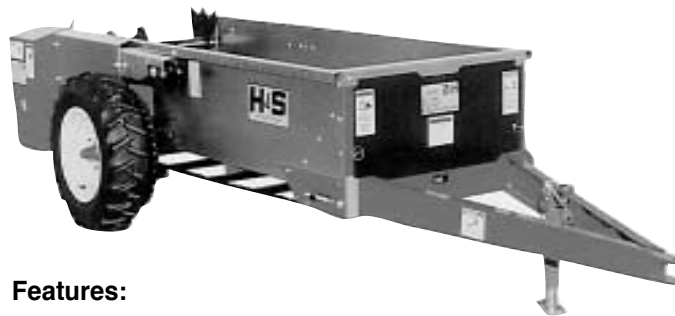
- Spreader box and subfloor constructed of corrosion resistant galvanized steel. Floor is bonded poly.
- Main apron driven by adjustable ratchet drive.
- Chain-drive beater is engaged via simple control lever.

Specifications	
Capacity-struck level	13.6 cu ft
Capacity-heaped	25 bu
Inside width	22"
Inside length	72"
Inside depth	17"
Overall width	42"
Spindle size	1-1/4"
Overall length	9'1"
Overall load height	30"
Diameter of beater	20"
Drive	ground, adjustable ratchet

Model	Description	Wt	Price
MS25	H&S 25 Bu. Manure Spreader, Ground Drive	350 lbs.	2,582.00

Model MS50 - Ground Drive

50 Bushel Capacity • Ground Drive



Features:

- Heavy duty steel A-frame and hitch assembly.
- Spreader box and subfloor constructed of corrosion resistant galvanized steel. Floor is bonded poly.
- Main apron is driven by an adjustable ratchet drive.
- Chain-drive beater is engaged via simple control lever.

Specifications	
Capacity - struck level	35 cubic feet
Capacity - heaped bu.	50 bushels
Inside width	36"
Inside length	97"
Inside depth	18"
Overall width	58"
Spindle size	1-3/4"
Overall length	13'4"
Overall loading height	32-1/2"
Diameter of beater	17-1/2"
Drive	ground, adjustable ratchet

Model	Description	Wt	Price
MS50	H&S 50 Bushel Manure Spreader, Ground Drive	790 lbs.	\$4,041.00
MS03D	Rear Pan for MS50, MS80, & MS125		272.00

F.O.B. FACTORY

Model MS80

80 Bushel Capacity • Ground or PTO Drive



Features:

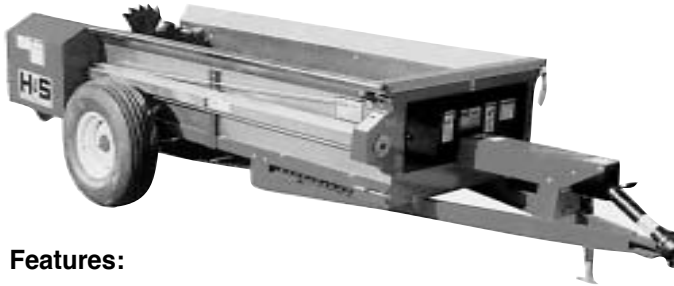
- Corrosion resistant galvanized steel spreader box and subfloor. Floor is bonded poly.
- 10 paddle beater for aggressive shredding and even spread pattern.
- H.D. gearbox and drive for trouble free operation.
- Conveniently located beater engage/disengage lever.

Specifications	
Capacity - struck level	53 cubic feet
Capacity - heaped Bu.	80 heaped bushel
Inside width	48"
Inside length	7'4"
Inside depth	20"
Overall width	76"
Spindle size	2"
Overall length	13'8"
Overall loading height	37"
Diameter of beater	18.5"
Drive	2 spd. grnd / 1 spd. pto

Model	Description	Wt	Price
MS80	H&S 80 Bushel Manure Spreader, PTO — Worm drive	1140 lbs.	\$5,172.00
MS80GD	H&S 80 Bushel Manure Spreader, Ground Drive	1140 lbs.	4,678.00
MS03C	Rear Pan for MS80		327.00

Model MS125

125 Bushel Capacity • PTO Drive • Single Speed Gearbox



Features:

- Heavy duty steel A-frame and hitch assembly.
- Corrosion resistant galvanized steel spreader box and subfloor. Floor is bonded poly.
- 22" Beater for an even spread pattern.
- Heavy duty worm gear drive provides positive drive and long life.
- Standard swivel jack

Specifications	
Capacity - struck level	75 cu ft
Capacity - heaped Bu.	125 bushels
Top of flare width	54"
Inside width	48"
Inside length	10'6"
Inside depth	22"
Overall width	80"
Overall length	15'3"
Std. tire size	10.00x15
Spindle size	2"
Overall loading height	43-1/2"
Diameter of beater	22"
No. of paddles	10
Drive	PTO, 1 speed gearbox

Model	Description	Wt	Price
MS125GS	H&S 125 Bushel Manure Spreader, PTO - worm drive	1600 lbs.	\$6,959.00
MS03A	Rear Pan for MS50, MS80, & MS125		342.00

F.O.B. FACTORY

Model MS175

175 Bushel Capacity • PTO Drive • 2 Speed Gearbox



Features:

- Corrosion resistant steel box. Floor is bonded poly.
- Heavy A-frame hitch assembly and unitized main frame.
- Two speed gearbox with beater shutoff.
- Easy engagement: Pull a rope to shift to high, low or clean out.
- 27" Dia. beater for aggressive shredding and even spread

Specifications	
Capacity - struck level	105 cubic feet
Capacity - heaped	175 bushels
Inside width	54"
Inside length	11'1"
Inside depth	25-3/4"
Overall width	83-1/2"
Overall length	17'8"
Overall loading height	43-1/2"
Std. tire size	8.25x20
Spindle size	2"
Diameter of beater	27"
Drive	PTO, 2 speed gearbox

Model	Description	Wt	Price
MS175BP	H&S 175 Bushel Manure Spreader, PTO — Worm drive	2030 lbs.	\$9,405.00
MS0TB175	Top beater for 175, 235, 270, 310, 370, & 430		905.00
MS03B3	Rear Pan for 175, 235, 270, 310, 370, & 430		389.00
MS502B175	Hydraulic End Gate for 175 including cylinder		1,358.00

Model MS235

235 Bushel Capacity • PTO Drive • 2 Speed Gearbox



Features:

- Corrosion resistant steel box. Floor is bonded poly.
- Heavy A-frame hitch assembly and unitized main frame.
- Two speed gearbox. Easy beater shutoff & apron speed adjustment.
- 29" Dia. beater for aggressive shredding, even spread.
- Standard rear pan, front splash panel, and swivel jack.

Specifications	
Capacity - struck level	143 cubic feet
Capacity - heaped Bu.	235 bushels
Inside width	60"
Inside length	12'1"
Inside depth	28-3/8"
Overall width	92-1/2"
Overall length	18'6"
Overall loading height	51-1/2"
Std. tire size	11x22.5
Spindle size	2"
Diameter of beater	29"
Drive	PTO, 2 speed gearbox

Model	Description	Wt	Price
MS235HE	H&S 235 Bushel Manure Spreader, PTO. Worm drive w/ hyd end gate	2890 lbs.	\$13,402.00
MS0TB235	Top beater for 235, 270, 310, 370, & 430		910.00
MS03B	Rear Pan for 175, 235, 270, 310, 370, & 430		404.00

PRICES F.O.B. FACTORY

Model MS270**270 Bushel Capacity • PTO Drive • 2 Speed Gearbox****Features:**

- Corrosion resistant steel box. Floor is bonded poly.
- Heavy A-frame hitch assembly and unitized main frame.
- Two speed gearbox. Easy beater shutoff & apron speed adjustment.
- 29" dia. beater for aggressive shredding and even spread
- Semi-liquid rear pan, swivel jack, and front splash panel.

Specifications	
Capacity - struck level	167 cubic feet
Capacity - heaped	270 bushels
Inside width	60"
Inside length	14'1"
Inside depth	28-3/8"
Overall width	92-1/2"
Overall length	20'5"
Overall loading height	51-1/2"
Std. tire size	11x22.5
Spindle size	2-1/2"
Diameter of beater	29"
Drive	PTO, 2 speed gearbox

Model	Description	Wt	Price
MS270HE	H&S 270 Bushel Manure Spreader, PTO — Worm drive w/ hyd end gate	3230 lbs.	\$14,858.00
MSOTB235	Top beater for 175, 235, 270, 310, 370, & 430		910.00
MS03B	Rear Pan for 175, 235, 270, 310, 370, & 430		404.00
MS016	16.5 x 16.1 tires in lieu of 11x22.5, add per wheel		498.00

Model MS310**310 Bushel Capacity • PTO Drive • 2 Speed Gearbox****Features:**

- Corrosion resistant steel box. Floor is bonded poly.
- Heavy A-frame hitch assembly and unitized main frame.
- Easy beater shutoff & apron speed adjustment.
- 29" dia. beater for aggressive shredding and even spread
- Standard hyd. end gate, front slash panel, & swivel jack.

Specifications	
Capacity- struck level	185 cubic feet
Capacity - heaped Bu.	310 bushels
Inside width	60"
Inside length	15'7"
Inside depth	28-3/8"
Overall width	97"
Overall length	22'
Overall loading height	51-1/2"
Std. tire size	11x22.5
Spindle size	2-1/4"
Diameter of beater	29"
Drive	PTO, 2 speed gearbox

Model	Description	Wt	Price
MS310	H&S 310 Bushel Manure Spreader, PTO — Worm drive	4190 lbs.	\$17,632.00
MSOTB235	Top beater for 175, 235, 270, 310, 370, & 430		910.00
MS03B	Rear Pan for 175, 235, 270, 310, 370, & 430		404.00
	16.5 x 16.1 tires in lieu of 11x22.5, add per wheel		498.00

PRICES F.O.B. FACTORY

Model MS370

370 Bushel Capacity • PTO Drive • 2 Speed Gearbox



Features:

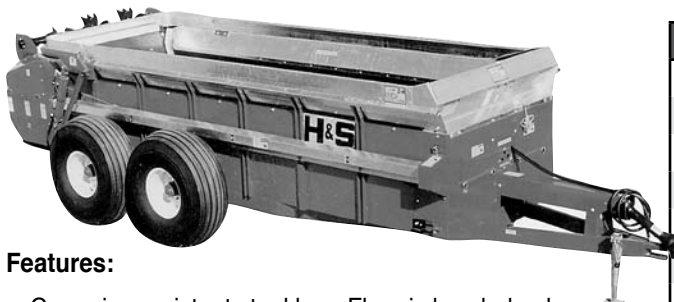
- Corrosion-resistant steel box. Floor is bonded poly.
- Heavy A-frame hitch assembly and unitized main frame.
- Easy beater shutoff & apron speed adjustment.
- 29" dia. beater for aggressive shredding and even spread
- Standard swivel jack and front splash panel.

Specifications	
Capacity - struck level	235 cubic feet
Capacity - heaped Bu.	370 bushels
Inside width	60"
Inside length	16'6"
Inside depth	34-3/8"
Overall width	97"
Overall length	23'3"
Overall loading height	57-1/2"
Std. tire size	11x22.5
Spindle size	2-1/2"
Drive	PTO, 2 speed gearbox

Model	Description	Wt	Price
MS370BP	H&S 370 Bushel Manure Spreader, PTO. Worm drive	4920 lbs.	\$19,941.00
MS0TB370	Top beater for 175, 235, 270, 310, 370, & 430		910.00
MS03B	Rear Pan for 175, 235, 270, 310, 370, & 430		404.00
	16.5 x 16.1 tires in lieu of 11x22.5, add per wheel		498.00

Model MS430

430 Bushel Capacity • PTO Drive • 2 Speed Gearbox



Features:

- Corrosion resistant steel box. Floor is bonded poly.
- Heavy A-frame hitch assembly and unitized main frame.
- Easy beater shutoff & apron speed adjustment.
- 29" dia. beater for aggressive shredding and even spread
- Standard hyd. end gate, swivel jack & front splash panel.

Specifications	
Capacity- struck level	275 cubic feet
Capacity - heaped Bu.	430 bushels
Inside width	60"
Inside length	16'6"
Inside depth	40-3/8"
Overall width	107"
Overall length	23'3"
Overall loading height	63-1/2"
Std. tire size	16.5x16.1
Spindle size	2-1/2"
Diameter of beater	29"
Drive	PTO, 2 speed gearbox

Model	Description	Wt	Price
MS430BP	H&S 430 Bushel Manure Spreader, PTO — Worm drive	5220 lbs.	\$22,288.00
MS0TB370	Top beater for 175, 235, 270, 310, 370, & 430		910.00
MS03B	Rear Pan for 175, 235, 270, 310, 370, & 430		404.00

PRICES F.O.B. FACTORY

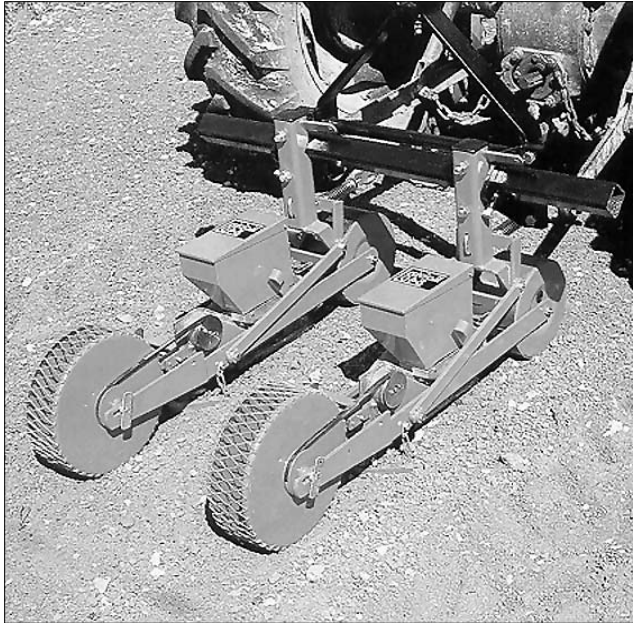
Robin Planters

The 800 Series Stanhay Robin Planters: Small in size, Big in Performance

With a Stanhay Robin, any area, no matter how small, can be precision drilled with a minimum of effort and cost. Mounted behind compact tractors, ATVs, or even pushed by hand, the Robin will place seed with precision, leading

to bigger yields, more uniform crops and reduced seed costs ...thanks to the unique Stanhay seed belt metering unit, renowned the world over for its accuracy, versatility and gentle handling of seed.

Robin 840 Wheel Unit Planter



The Robin 840 is a low cost unit wheel driven design for use behind small tractors or ATVs. High traction cage rear wheels drive each unit. A simple four pulley drive gives a choice of four different seed spacings per seed belt.

- 4 seed spacing unit wheel drive
- High traction, cage rear wheels
- Lightweight design for use with small tractors or ATVs
- Drag-chain soil coverer
- Single line coulter standard
- Double and triple line coulters are optional.

Robin 820 Push Drill



The versatile Robin 820 is designed for planting very small areas and quantities of seed at a time. With its large diameter front and rear wheels and ergonomic design, it requires very little effort to push. It is also very easy to maintain and operate.

- 4 spacing unit wheel drive
- High traction, cage rear wheel
- Easy-to-push chassis complete with row marker
- Drag-chain soil coverer
- Single line coulter standard
- Double or triple line coulters optional

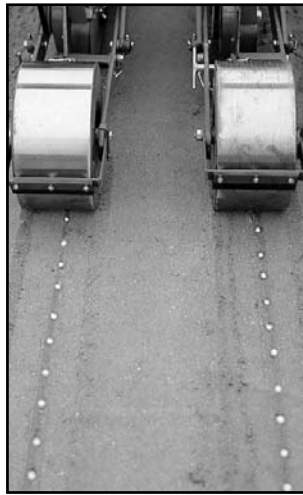
8541001		840 Robin Wheel unit drill
Weight: 1100 lbs.		Price: \$1,488.00
Part No.	Qty	Description
1022002	1	Plain Belt
2810017	1	A2 Base
6900040	1	A Choke

8328000		820 Robin Wheel unit drill
Weight: 1100 lbs.		Price: \$1,788.00
Part No.	Qty	Description
1022002	1	Plain Belt
2810017	1	A2 Base
6900040	1	A Choke

F.O.B. DIXON

870 Precision Belt Planters

Stanhay Belt Planters Provide Precise Planting, Tailor-Made to Suit Your Needs.



Precise Planting

Electronic Monitor

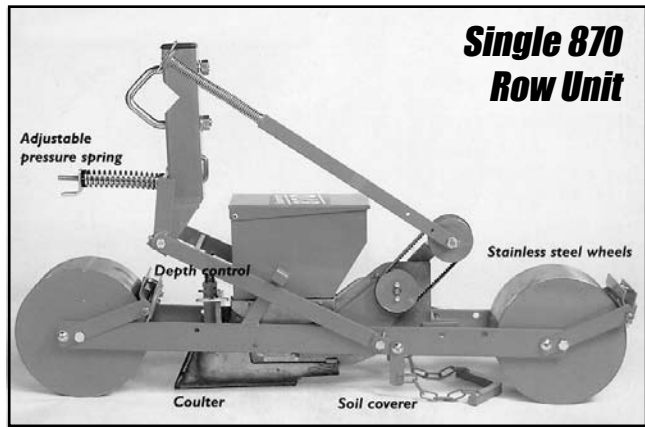
Optional. Tracks each row of planter. Also alerts user when hopper refill is needed.



Stanhay planters are renowned for their low seed drop and remarkable versatility. They plant every seed type, and when used with pelleted seed their accuracy is near perfect. Adjustable height land wheels give a positive drive to all row units, whether planting on flat or raised beds.

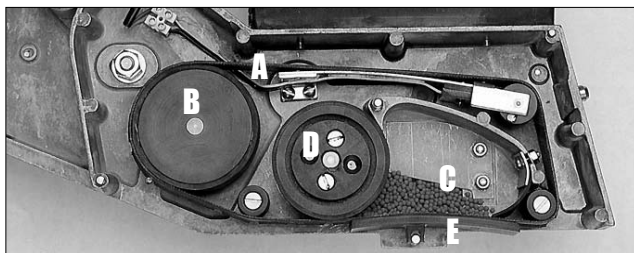
Features:

- Free floating chassis.
- Landwheel drive with belt and pulley transmission
- Electronic rotation monitor option
- Accurate seed spacing & total control of plant density
- Choice of coulter for all planting patterns and soil types.
- Kind on seeds



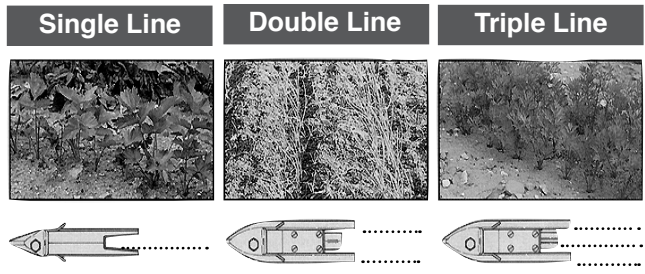
Single 870 Row Unit

870 Belt Metering: How it Works



- Seedbelt (A) is rotated clockwise by drive wheel (B).
- The choke (C) controls the seed entering the chamber.
- Repeller wheel (D) agitates seed and repels doubles.
- The base (E) is plain or grooved to suit size of seed.
- Seed is released as each hole in the belt reaches the end of the base.

Planting "Tailor Made" For Your Needs



Choice of choke, base, and seedbelt allow almost any size of seed at any spacing or drilling pattern:

- **Double or triple line spacing** - two line 1-1/2", 2", or 3" apart or three lines 1" or 1-1/2" apart
- **Wide spacings and group drilling** - For example, place a group of three seeds 1" apart with a 12" gap between group centers.

Stanhay S870 Pricing Information

Note: Planters are equipped with 4-3/4" stainless steel banded wheels with bearings. Planter prices include jack stand and belts, bases, and chokes.

2 Row Models

Model S870-2B (order planter shoes to complete)
 Weight: 520 lbs. **Price: \$6,295.00**

Part No	Qty	Description
6902322	1	Hex shaft
7702982	1	98 Inch toolbar
8002751	1	3 Point hitch
7700996	1	Bearing and bracket
8542031	2	S870 Planter with SS wheels
8003145	1	4 Spacing V-belt drive
8003152	1	Support wheel
6417133W	1	S870 Operation Manual
7702095	1	Parking Stand
STY10	2	Seed belt kit

6 Row Models

Model S870-6 (order planter shoes to complete)
 Weight: 900 lbs. **Price: \$14,102**

Part No.	Qty	Description
6902322	2	Hex shaft
7701116	1	168 Inch toolbar
7403031	1	3 Point hitch
8002677	1	Hitch brackets
7700996	3	Bearing and bracket
8542031	6	S870 Planter with SS wheels
8003145	1	4 Spacing V-belt drive
8003146	1	4 Spacing V-belt drive
7700089	1	Coupler
6417133W	1	S870 Operation Manual
7702095	1	Parking Stand
STY10	6	Seed belt kit

4 Row Models

Model S870-4 (order planter shoes to complete)
 Weight: 700 lbs. **Price: \$9,950.00**

Part No.	Qty	Description
6902322	1	Hex shaft
7702982	1	98 Inch toolbar
8002751	1	3 Point hitch
7700996	2	Bearing and bracket
8542031	4	S870 Planter with SS wheels
8003145	1	4 Spacing V-belt drive
8003146	1	Support Wheel
6417133W	1	S870 Operation Manual
7702095	1	Parking Stand
STY10	4	Seed belt kit

8 Row Models

Model S870-8 (order planter shoes to complete)
 Weight: 1100 lbs. **Price: \$17,600**

Part No.	Qty	Description
6902322	2	Hex shaft
7701116	1	168 Inch toolbar
7403031	1	3 Point hitch
8002677	1	Hitch brackets
7700996	4	Bearing and bracket
8542031	8	S870 Planter with SS wheels
8003145	1	4 Spacing V-belt drive
803146	1	4 Spacing V-belt drive
7700089	1	Coupler
6417133W	1	S870 Operation Manual
7400034	1	Coulter
7702095	1	Parking Stand
STY10	6	Seed belt kit

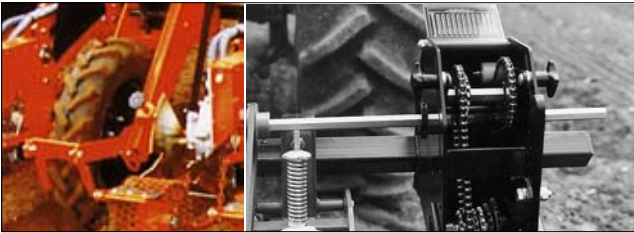
PRICES ARE F.O.B. DIXON, CA

Star Vacuum Planter

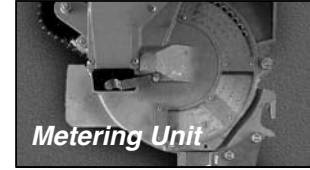
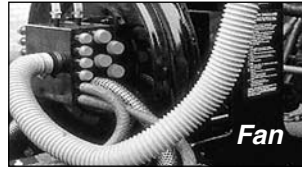
The Vacuum Seeder That Plants 1, 2, 3, or 4 lines.



Ground Drive:

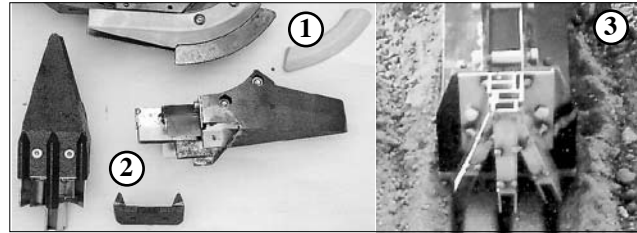


Units are driven by a large diameter land wheel, through a 56 spacing close ratio gearbox. Four sprocket sets give a total of 56 different plant spacings with every seed disc. Wheels can be lowered to 12" below the height of the row units, to drive between raised beds.s.



- Precise, accurate vacuum-controlled metering. Singulation is controlled by fine-adjust cam.
- Plants from one to four lines.
- Seed hopper empties through a door at the base.
- High volume, low pressure fan is quiet and efficient.
- Adjustable fan output with tractor cab mounted gauges

Coulter Options:



- 1. Single line:** Creates a narrow V-shaped seed furrow.
- 2. Multi-line:** 65 or 100 mm wide, for high density crops. Replaceable ribbed bases for 2 or 3 line planting.
- 3. Tivar non-stick shoes:** Glides through soil & trash. Stays clean & maintains depth. Replacable components.

Star Pricing & Options:

Std equip: Light duty fan w/ 12 barb manifold, Cat. II 3 pt. hitch, air hose, vacuum hose, ground drive wheels, toolbar, hex driveshaft, 17 mm wrench, 120mm stainless press wheels, one set of seed plates, and operators manual. Add \$2,330.00 for standard fan and hitch

model	row units	drive wheel	supt. wheel	tool bar	drive shaft	Price
Basic Unit - Choose One						
Star-2B	2	1	1	98"	84"	14,968.00
Star-4	4	1	1	98"	84"	20,814.00
Star-6	6	2		168"	(2)84"	27,031.00
Star-8	8	2		168"	(2)84"	32,681.00
Fan Drive - Choose One						
6416033	PTO shaft with clutch					549.00
10520081	Hydraulic drive assembly					907.00
Press wheels - add per row						
	160mm wheels in lieu of 120mm					107.00

Model	Description	Price
Coulters - Choose one per row		
8002617	single line cast	71.00
8002550	single line ceramic	119.00
7703504	single line non-stick	183.00
7703308**	2 line 2.5" hyline non-stick	289.00
7703309**	3 line 1.25" hyline non-stick	306.00
7703310**	3 line 3" hyline non-stick	289.00
7703311**	3 line 1.5" hyline non-stick	306.00
7703312**	2 line 4" hyline non-stick	306.00
7703313**	3 line 2" hyline non-stick	380.00
7703377**	2 line 5" hyline non-stick	345.00
7703379**	3 line 2-1/2" hyline non-stick	375.00
7703314**	2 line 6" hyline non-stick	345.00
7703315**	3 line 3" hyline non-stick	375.00
7703263**	2 line 3" hyline deep fin	274.00
7703264**	3 line 1.5" hyline deep fin	274.00

(** Requires 8010047 seed guide, \$19.00)

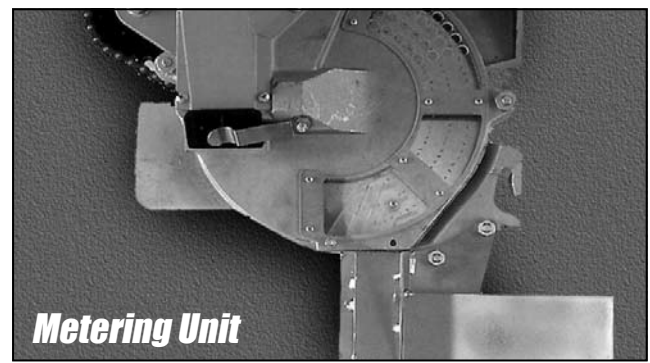
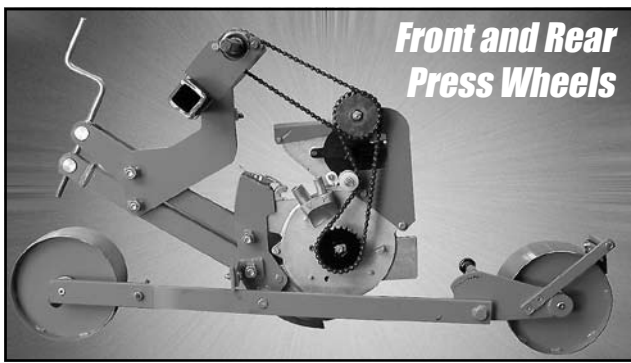
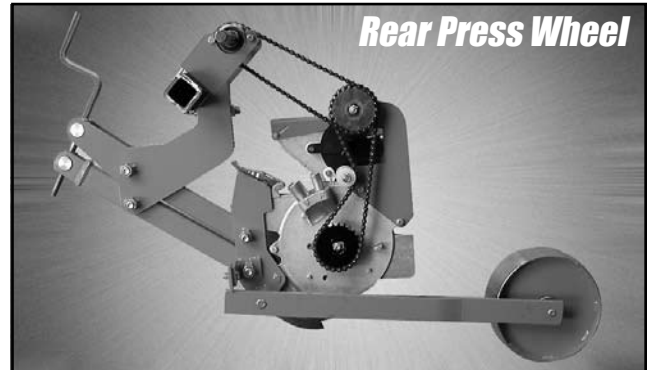
F.O.B. DIXON

Stanhay Vacuum Seeders

780 and 780H Handcrank Adjustable Vacuum Seeders and Optional Equipment

Features:

- Adjust planting depth quickly and easily.
- Capable of performing high density planting (2" line to line).
- Short seed drop for accurate spacing.
- Drive chain installed in fixed position to insure smooth operation.
- S780 Handcrank can be equipped with:
No press wheels
Rear Press wheels
Front & Rear Press Wheels



Model	Description	Price
8003510	Adapter	47.00
7403031	A-Frame HD S870	413.00
7403446	A-Frame S785 - Star	826.00
8002751	A-Frame L.D. S870	378.00
7400034	Coulter, Standard	117.00
7700046	Coulter, 3 line 1-1/2"	170.00
7700048	Coulter, 2 line 3"	170.00
7702787	Coulter, 3 line 2" metal	213.00
7703677	Coulter, 3 line 1-1/2" NS	317.00
7703678	Coulter, 2 line 3" NS	289.00
7703679	Coulter, 3 line 2" NS	347.00
7703680	Coulter, 2 line 4" NS	319.00
8002 812K	Coulter, 1 piece cast	90.00
8002167	Coulter, 1L cast	86.00
8002550	Coulter, 1LCE	119.00
7703504	Coulter, 1LNS	183.00
7704208	Coulter, 1LNSW	264.00
7703308	Coulter, 2L 2-1/2 HNS	289.00
Prices Are F.O.B. Dixon, CA		

Model	Description	Price
7703514	Coulter, 2L 2-1/2 HCNS	401.00
7703310	Coulter, 2L3 HNS	289.00
7703516	Coulter, 2L3 HCNS	401.00
7703312	Coulter, 2L4 HNS	306.00
7703518	Coulter, 2L4 HCNS	418.00
7703377	Coulter, 2L5 HNS	345.00
7703520	Coulter, 2L5 HCNS	457.00
7703314	Coulter, 2L6 HYNS	345.00
7703522	Coulter, 2L6 HCNS	457.00
7703309	Coulter, 3L1-1/4 HNS	306.00
7703515	Coulter, 3L1-1/4 HCNS	474.00
7703311	Coulter, 3L1-1/2 HNS	306.00
7703517	Coulter, 3L1-1/2 HCNS	474.00
7703313	Coulter, 3L2 HNS	380.00
7703917	Coulter, 3L2 HCNS	548.00
7703379	Coulter, 3L2-1/2 HNS	375.00
7703521	Coulter, 3L2-1/2 HCNS	543.00
7703623	Coulter, 3L3 HCNS	543.00
Prices Are F.O.B. Dixon, CA		

Stanhay Vacuum Seeders

780 and 780H Handcrank Adjustable Vacuum Seeders and Optional Equipment

Model	Description	Price
7703263	Coulter, 2L3 HDF	274.00
7703264	Coulter, 3L 1-1/2 HDF	274.00
7703267	Coulter, 2L4 HDF	304.00
7703213	Coulter, 3L2 HDF	304.00
7703381	Coulter, 2L5 HDF	330.00
7703382	Coulter, 3L2-1/2HDF	330.00
7703216	Coulter, 3L3 HDF	330.00
7703297	Fan S785	4800.00
7703546	Fan S780	3031.00
8003561	Fan S780 Hyd	2959.00
8003157	Guage Kit	634.00
8003355	Gauge Vac Sensor 650	266.00
8003371	Gauge Vac Sensor 785	171.00
8002677	Hitch Brkt 60mm	223.00
8003692	Hitch Brkt 100 mm	210.00
7703053	Drive Whl 4H chain 780-785	2127.00
7703054	Drive whl r/h chain 780-785	2127.00
7703055	Drive whl 4H chain 985	2127.00
7703056	Drive whl r/h chain 985	2127.00
7703155	Drive whl l/h chain 785	2282.00
7703156	Drive wheel r/h chain 785	2282.00
7703397	Suppt whl chain 780-785-985	1392.00
8003145	Drive wheel L/H 870	1075.00
8003146	Drive whl r/h 870	1075.00
8003152	Support whl 870	918.00
7703352	Support whl 650/Star/Dart	1108.00
7703353	Drive whl 650/Star/Dart	1720.00
7704267	Support whl 650/Star/Dart	1985.00
8003852	Drive whl HC Dart	2717.00
8003854	Drive whl HC Star	2976.00
8003 858	Drive whl HC Spring Dart	2872.00
8003 860	Drive whl HC Spring Star	2872.00
4300018	Hose 20 mm	12.00
4300027	Hose 6.4 mm	7.00
4300029	Hose 32 mm	20.00
4300031	Hose 45mm	21.00

Prices Are F.O.B. Dixon, CA

Model	Description	Price
4300034	Hose 38 mm	21.00
770264	Meter Unit 820 - 840	805.00
7702381	Meter Unit 870 non-elec	846.00
7702382	Meter Unit 870 Electric	912.00
7702383	Meter Unit 870 elec monitor	1086.00
7702699	Meter Unit 870 service elec	735.00
7702700	Meter unit 870 service non elec	670.00
7703251	Meter unit 785 1L	1662.00
7703253	Meter unit 785 2L	1662.00
7704001	Meter Unit 780 Retro-fit	1747.00
7704365	Meter Unit Star	1603.00
7704353	Meter Unit Star 4L	1480.00
7702095	Parking Stand	124.00
7703169	Parking Stand	131.00
6416033	PTO Assy	549.00
8002736	Chassis 120mm 785	1669.00
8002698	Chassis 160mm 785	2423.00
7703872	Chassis Handcrank 780	460.00
8550235	Chassis Handcrank Star	714.00
8547003	Row of planter 780 120mm	2712.00
9520101	Row of planter 785 160mm	2773.00
9520102	Row of planter 785 120mm	2706.00
8005188	Row of planter Star 120mm	2836.00
8005189	Row of Planter Star 160mm	2943.00
8010047	Seed Guide	21.00
8002538	Spring load kit	171.00
8002814	Support Kit - mu	13.00
6902322	Shaft 84"	130.00
6902357	Shaft 98"	152.00
6902993	Toolbar 60mm HD 118"	273.00
6902997	Toolbar 60mm HD 157"	364.00
7404475	Toolbar 60mm HD 168"	335.00
6902999	Toolbar 60mm HD 177"	410.00
6903001	Toolbar 60mm HD 197"	393.00
7402922	Wrench 17mm	2.00

Prices Are F.O.B. Dixon, CA

Stanhay Vacuum Seed Plates

Part No	Description	Price
6902706	BlankPlate	121.00
6902868	0.5x12 Grps 2	158.00
6902970	0.5x12 Grps 3	158.00
6902865	0.5x24 Grps 2	158.00
6902533	0.5x12x1	133.00
6902489	0.5x24x1	130.00
6902488	0.5x48x1	133.00
6902557	0.5x48x2	158.00
6902400	0.5x48x3	158.00
6903405	0.5x72x1	133.00
6903674	0.5x72x2	158.00
6902532	0.5x96x1	133.00
6902558	0.5x96x2	158.00
6902690	0.5x96x3	158.00
6903095	0.5x144x2	158.00
6902698	0.5x144x3	158.00
6902559	0.5x192x2	158.00
6902702	0.5x192x3	158.00
6902568	0.5x96x96x72	158.00
6903792	0.6x24x1	158.00
6903150	0.5x24 Grps 2	158.00
6902648	0.6x24x3	158.00
6902624	0.6x48x1	133.00
6902691	0.6x48x2	158.00
6902645	0.6x48x3	158.00
6902967	0.6x60x1	133.00
6902776	0.6x72x1	133.00
6902777	0.6x72x2	158.00
6902778	0.6x72x3	158.00
6902566	0.6x96x1	133.00
6902637	0.6x96x2	158.00
6902563	0.6x96x3	158.00
6903092	0.6x120x2	158.00
6903093	0.6x120x96	158.00
6903071	0.6x144x1 inner	158.00
6903247	0.6x144x1	133.00
6902668	0.6x144x2	158.00
6902667	0.6x144x3	158.00

Prices Are F.O.B. Dixon, CA

Part No	Description	Price
6903269	0.6x192x1	133.00
6903099	0.6x192x3	158.00
6902639	0.6x48x48x36	158.00
6903272	0.6x72x72x48	158.00
6903160	0.6x72x96x72	158.00
6902630	0.6x96x96x72	158.00
6903149	0.6x96x96x82	158.00
6902669	0.6x144x144x108	158.00
6902979	0.7x12 Grps 4	158.00
6903111	0.7x24 Grps 3	158.00
6903167	0.7x12x1	133.00
6903793	0.7x24x1	133.00
6903788	0.7x48x1	133.00
6903146	0.7x96x2	158.00
6903147	0.7x120x2	158.00
6903122	0.7x120x3	158.00
6902531	0.7x12 Grps 3	158.00
6902705	0.8x12 Grps 2	158.00
6902966	0.8x12 Grps 3	158.00
6902750	0.8x12x1	133.00
6902643	0.8x24x1	133.00
6902812	0.8x24x2	158.00
6902826	0.8x24x2 stagger	158.00
6903070	0.8x48x1 inner	158.00
6902565	0.8x48x1	133.00
6902646	0.8x48x2	158.00
6902562	0.8x48x3	158.00
6902828	0.8x72x1	133.00
6902930	0.8x72x2	158.00
6903360	0.8x88x1	133.00
6902567	0.8x96x1	133.00
6902629	0.8x96x2	158.00
6902647	0.8x96x3	158.00
6903361	0.8x104x1	133.00
6903362	0.8x108x1	133.00
6903156	0.8x120x2	158.00
6902958	0.8x144x1	133.00
6903007	0.8x144x2	158.00

Prices Are F.O.B. Dixon, CA

Stanhay Vacuum Seed Plates

Part No	Description	Price
6903156	0.8x120x3	158.00
6903164	0.8x144x3	158.00
6903206	0.8x72x72x54	158.00
6902632	0.8x96x96x72	158.00
6902953	0.8x12 Grps 4x2	158.00
6903243	0.8x144x144x108	158.00
6902490	1.0x8x1	133.00
6902957	1.0x24x1	133.00
6902625	1.0x48x1	133.00
6902829	1.0x72x1	133.00
6902670	1.0x96x1	133.00
6902623	1.0x96x2	158.00
6902944	1.0x96x3	158.00
6903313	1.0x96x96x48	158.00
6902977	1.0x96x96x72	158.00
6902914	1.2x12 Grps 3	158.00
6902863	1.2x12x1	133.00
6902692	1.2x24x1	133.00
6902961	1.2x24x1 inner	158.00
6902626	1.2x48x1	133.00
6903148	1.2x48x1 inner	158.00
6902960	1.2x48x2	158.00
6903241	1.2x72x1	133.00
6903151	1.2x72x96x72	158.00
6902534	1.2x96x1	133.00
6903252	1.2x96x1 inner	158.00
6902640	1.2x96x2	158.00
6903152	1.2x96x72x72	158.00
6902642	1.2x96x96x72	158.00
6902564	1.2x96x3	158.00
6903790	1.2x120x3	158.00
6902976	1.2x144x1	133.00
6902980	1.4x24x1	133.00
6902963	1.4x48x1	133.00
6902809	1.4x48x2	158.00
6902649	1.4x48x3	158.00
6903110	1.4x72x1	133.00
6902952	1.4x72x2	158.00

Prices Are F.O.B. Dixon, CA

Part No	Description	Price
6903109	1.4x72x3	158.00
6902975	1.4x96x1	\$133.00
6903139	1.4x96x2	158.00
6903125	1.4x96x3	158.00
6903140	1.4x96x96x72	158.00
6902981	1.6x12 Grps 2	158.00
6902864	1.6x12x1	133.00
6902712	1.6x24x1	133.00
6903210	1.6x48x1	133.00
6902821	1.6x48x2	158.00
6903273	1.6x48x3	158.00
6903209	1.6x72x1	133.00
6903157	1.6x72x2	158.00
6903145	1.6x72x3	158.00
6903144	1.6x96x1	133.00
6903211	1.6x96x2	158.00
6903690	1.8x72x1	133.00
6902651	2.0x8x1	133.00
6903091	2.0x12x1	133.00
6902582	2.0x12x1 inner	158.00
6903057	2.0x12 Grps 2	158.00
6903255	2.0x12 Grps 3	158.00
6903212	2.0x24x1	133.00
6903112	2.0x24x2	158.00
6902671	2.0x48x1	133.00
6902535	2.0x48x2	158.00
6902810	2.0x48 inner/middle	158.00
6902811	2.0x48 inner/outer	158.00
6902775	2.0x72x1	133.00
6903726	2.0x72x2	158.00
6903332	2.2x39x2 stagger	158.00
6902956	2.2x48x1	133.00
6902693	2.2x48x2	158.00
6903615	2.2x72x1	133.00
6903572	2.2x72x2	158.00
6902684	2.5x24x1	133.00
6902955	2.5x28x48x20	158.00
6902954	2.5x48x28x20	158.00

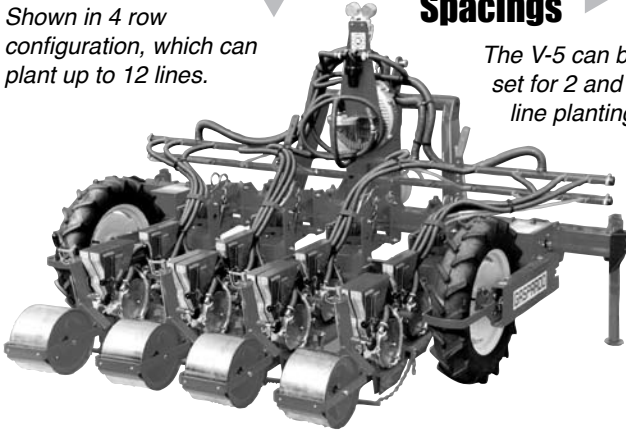
Prices Are F.O.B. Dixon, CA

V-5 Planter

A Precision Vacuum Seeder Specially Designed For Use in Multi-Line Planting.

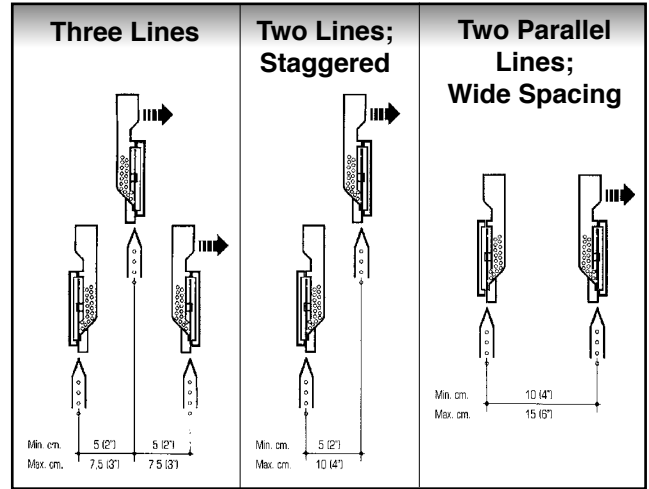
V-5 Planter

Shown in 4 row configuration, which can plant up to 12 lines.

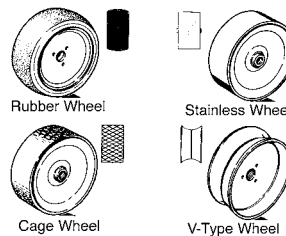


Line Spacings

The V-5 can be set for 2 and 3 line planting.



The V5 Gaspardo two or three movable metering units, allowing you to plant up to three lines of crop from one planter chassis. The minimum spacing between lines is 2" and the maximum spacing is 6". Choose the drive unit, fan assembly, and options to meet your needs. Stainless steel press wheels come standard, however other press wheels are available as optional equipment.



Press Wheels

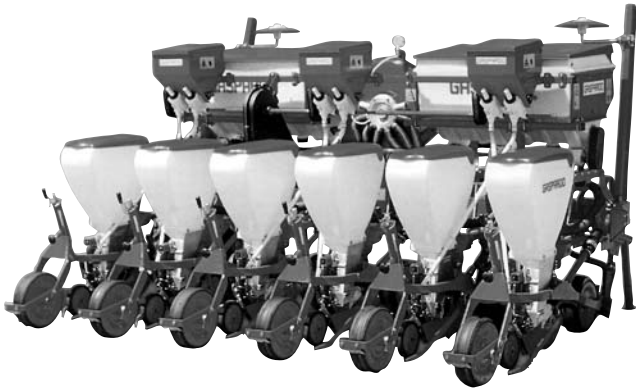
Press wheel options tailor the V-5 to your conditions. Choose 250 mm rubber, Flat stainless, cage, or V-type wheel.

Part No.	Description	Weight	Price
Hitch, Toolbar, & Manifold - Choose One			
99958032	Three pt. hitch, toolbar & manifold, 80"	220 lbs	\$1,748.00
99958033	Three pt. hitch, toolbar & manifold, 100"	253 lbs	1,948.00
99958035	Three pt. hitch, toolbar & manifold, 126"	297 lbs	2,629.00
99958037	Three pt. hitch, toolbar & manifold, 165"	550 lbs	4,238.00
Fan Assembly - Choose One			
99958043	Standard Fan Assembly w/ PTO	80 lbs	2,704.00
99958045	HD fan assembly w/ PTO	99 lbs	2,861.00
Drive Wheel Package - Choose One			
99905033	Drive wheel - One Gearbox	132 lbs	2,255.00
99905034	Drive Wheel - two Gearbox	143 lbs	2,541.00
Row Of Planter - Choose Quantity Needed			
99958230	Row of V5 Planter with 2 metering units	158 lbs	4,204.00
99958216	Row of V5 Planter with 3 metering units	165 lbs	5,401.00
Options			
99512008	Hopper extension: .2 liter	-	53.00
99515109	Bed Roller 13" x 59"	200 lbs	3,937.00
10520076	Hydraulic motor and Valve	-	720.00
10520077	Mounting Kit with Coupler	-	404.00
58160002	PTO Shaft	-	150.00

***Note: For Adjustable Drive Wheels, add part number 99515705 and \$346.00 per wheel**

SP Planter

A Precision Vacuum Planter Designed For Use With Large Seeds.



Features:

- Designed for seeds ranging in size from sugar beets to beans.
- Adjustable planting depth from 3/4" to 4"
- Seed spacing ranges from 1/2" to 329", controlled by number of holes in seed plate and ground drive wheel setting.
- Planting speed varies from 2 to 5 mph.
- PTO or hydraulic driven fan furnishes vacuum
- Category II/III hitch accepts 6 x 6 x 1/4" square bar.
- Planter can be spaced on toolbar from 12" apart.



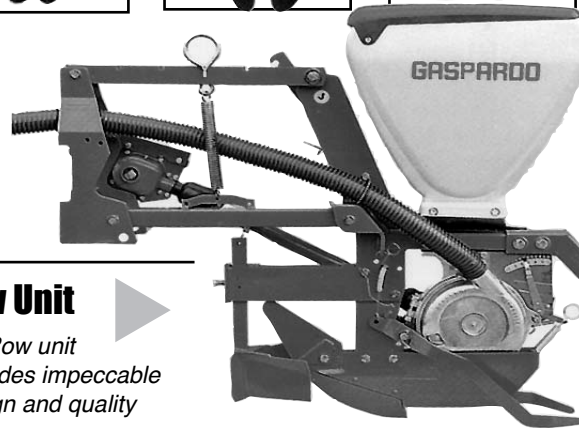
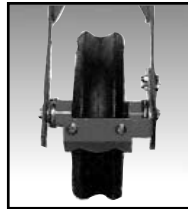
SD Planter

6 row configuration with formflex press wheel



Choice of Press Wheels

(1) Concave Rubber Wheel. (2) V-Shaped Press wheel (3) Low Pressure Tires



Row Unit

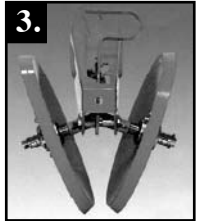
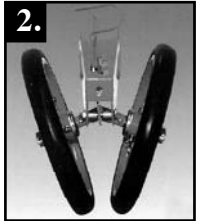
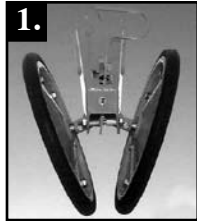
SP Row unit provides impeccable design and quality

Part No.	Description	Weight	Price
SP Vacuum Planter, Complete			
90102213	2 Row of SP Vacuum Planter; 75" toolbar	726 lbs	8,800.00
90104213	4 Row of SP Vacuum Planter; 108" toolbar	1210 lbs	13,396.00
9010253	6 Row of SP Vacuum Planter; 165" toolbar	1522 lbs	18,762.00
90108263	8 Row of SP Vacuum Planter; 165" toolbar	2046 lbs	24,724.00
Optional Equipment			
99501002	Formflex press wheel	20 lbs	376.00
99501003	'V' shaped press wheel	20 lbs	376.00
99501011	1 in. 'V' shaped rubber press wheel	20 lbs	376.00
99501013	2 in. 'V' shaped rubber press wheel	20 lbs	376.00
99501711	Double disc opener	25 lbs	286.00
10520076	Hydraulic motor and valve	-	720.00
10520077	Mounting kit with coupler	-	404.00
58160002	PTO Shaft	-	272.00

***Note: For Adjustable Drive Wheels, add part number 99515705 and \$346.00 per wheel**

SD Planter

Gaspardo's SD Precision Vegetable Planter With Chemical Applicator.

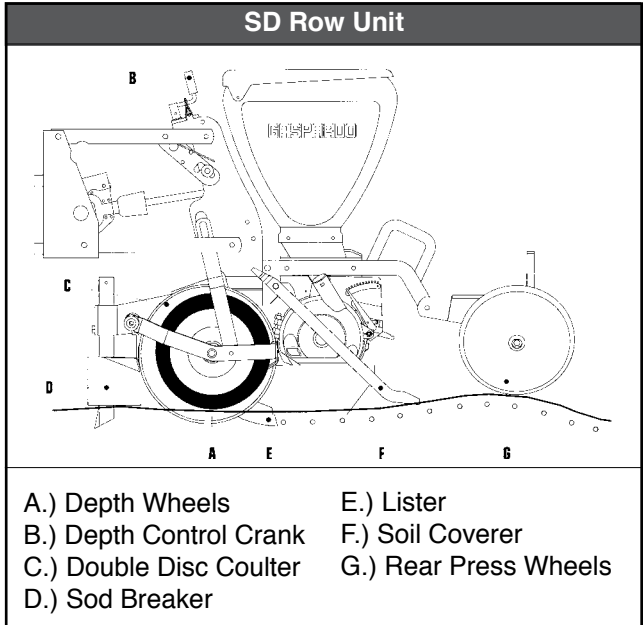


Choice of Press Wheels
 (1) V-Shaped Press wheel,
 (2) 2-inch rubber covering wheels,
 (3) Steel Wheels

SP Planter
 Shown here in 6 row configuration

Features:

- Large one bushel poly seed hopper with easy-fill lid and opening.
- Metering unit mounted low for short seed drop and accurate spacing
- Precision design and construction.
- Easy access to hand crank depth control.
- Depth wheels control planting depth while cleaning disc opener.
- Planter shoe fits between double discs to clean out planting furrow.
- Clod deflector
- Covering arms
- Several press wheel options to match your seeding conditions



Part No.	Description	Weight	Price
SD Vacuum Planter, Complete			
SD530-4	4 Row Planter, 110" toolbar	750 lbs.	\$13,806.00
SD530-6	6 Row Planter, 138" toolbar	1000 lbs.	18,714.00
SD530-8	8 Row Planter 173" toolbar	1250 lbs.	23,623.00
SD530-10	10 Row planter, 228" toolbar	1500 lbs.	27,535.00
SD530-12	12 Row Planter, 260" toolbar	1750 lbs.	32,160.00

***Note: For Adjustable Drive Wheels, add part number 99515705 and \$346.00 per wheel**

Orietta 'R' Small Seeds Planter

Precision Vacuum Planter Specially Designed For Metering Small Seeds.

'R' Planter

Shown Here is the model 'R' planter with flexible rubber press wheels.



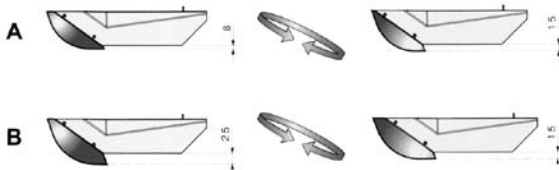
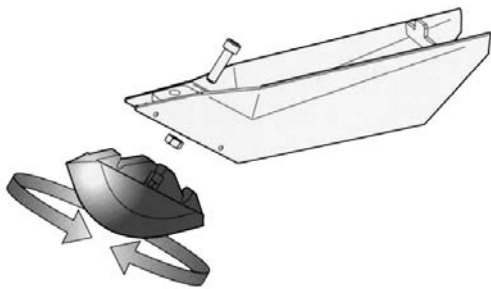
The Gaspardo 'R' is a precision vacuum planter designed to meter small seeds. The rows will mount on 8" centers for semi high density plantings. The standard fan will accommodate up to eight rows while the HD fan will accommodate up to eighteen rows. The adjustable drive/gauge wheels allow planting on flat seedbed and raised beds. The transmission enables a large spacing range with one seed plate.

The planting package comes complete with rows of planter, 3 pt hitch, tractor, drive wheels with transmission, seed vac to empty hoppers, hose, and one set of seed plates.

Check out 'R' outstanding features:

- Larger diameter seed disc for closer seed spacing or slower disc rotation.
- Drive secondary singulator standard two secondary singulators optional.

'R' Planting Shoe



Gaspardo's new design opener has a hardened casting at the front which can be reversed to control the depth of the planting in relationship to side fins.

Choice of 2 different castings:

- A.) 8 mm (3/8") and 15 mm (5/8")
- B.) 15 mm (5/8") and 25 mm (1").

Orietta 'R' Row Unit

Choose from variety of options to customize your planter to your application



- | | |
|----------------------------|-----------------------------|
| 1.) Singulator | 5d.) Cage Wheel |
| 2.) Shoes | 5e.) Rubber 'V' Wheel |
| 3.) Pressure adjust spring | 6.) Planting depth adjuster |
| 4.) Floating hitch lever. | 7.) Cod buster |
| 5.) Press wheels: | 8a.) Stainless seed wheel |
| 5a.) Flexible rubber wheel | 8b.) Rubber seed wheel. |
| 5b.) Hard rubber wheel | 9.) Seed coverer |
| 5c.) Stainless press wheel | |

Orietta 'R' Small Seeds Planter

Precision Vacuum Planter Specially Designed For Metering Small Seeds.

Part No.	Description	Weight	Price
Hitch, Fan, & Toolbar - Choose One			
99958090	Rigid Frame Assembly - 2 M	220 lbs	1694.00
99958091	Rigid Frame Assembly - 2.5 M	253 lbs	1882.00
99958092	Rigid Frame Assembly - 2.75 M	264 lbs	2202.00
99958093	Rigid Frame Assembly - 3.25 M	297 lbs	2541.00
99958094	Rigid Frame Assembly - 4.2 M	550 lbs	2861.00
99958095	Rigid Rrame Assembly - 5.0 M	638 lbs	3294.00
99958096	Rigid Frame Asseembly - 6.0 M	748 lbs	3576.00
99958059	Hyd fold stacker - 5.0 M	1243 lbs	14,866.00
Fan Assembly - Choose one			
99905035	Standard Fan Assy w/ PTO	80 lbs	2,705.00
99958405	Two Drive wheels	99 lbs	2,861.00
Drive Wheel Package - Choose One			
99958404	One drive wheel/one support wheel	132 lbs	2,861.00
99958405	Two drive wheels	143 lbs	3,237.00
Row of Planter- Choose Quantity Needed			
99958241	Row of 'R' less press wheels & opener	105 lbs	2,738.00
Press Wheels - Choose two per row			
99514001	Farmflex press wheel	8 lbs	235.00
99514012	Hard Rubber press wheel	8 lbs	282.00
99514002	Stainless steel press wheel	8 lbs	235.00
99514003	Cage press wheel	8 lbs	235.00
Planter Shoes - Choose One per row			
99514005	Single line shoe 8-15 mm	2 lbs	85.00
99514006	Single line shoe 15-25 mm	2 lbs	85.00
99514011	Scatter shoe	2 lbs	132.00
99514007	Two line shoe 8-15 mm, 2"	4 lbs	282.00
99514008	Two line shoe 15-25 mm, 2"	4 lbs	282.00
99514009	Two line shoe 8-15 mm 2.8"	4 lbs	282.00
99514019	Two line shoe 15-25 mm, 2.8"	4 lbs	282.00
Hydraulic Fan Drive			
10520096	Hydraulic Motor	10 lbs	297.00
10520097	Valve Assembly	18 lbs	325.00
1052077	Mount with coupler	25 lbs	404.00
58160018	PTO assembly	10 lbs	235.00

Seed Plates**SV255**

Part No.	Description	Price
22250355	0.5x10	\$105.00
22250349	0.8x10	62.00
22250350	1.0x10	62.00
22250342	1.5x10	51.00
22250335	0.5x20	75.00
22250002	0.8x20	51.00
22250169	1.0x20	51.00
22250300	1.5x20	51.00
22250161	2.0x20	51.00
22250328	2.5x20	51.00
22250337	1.5x30	51.00
22250001	0.5x40	105.00
22250022	0.6x40	75.00
22250009	0.8x40	51.00
22250005	1.0x40	51.00
22250003	1.5x40	51.00
22250010	2.0x40	51.00
22250356	2.5x40	51.00
22250021	0.6x60	105.00
22250019	0.5x80	105.00
22250334	0.6x80	105.00
22250011	0.8x80	51.00
22250015	1.5x80	51.00
22250014	2.0x80	51.00

SV260 • V20 • V12 • V5

Part No.	Description	Price
22250327	0.5x10	105.00
22250366	0.8x10	51.00
22250367	1.5x10	51.00
22250368	2.0x10	51.00
22250163	0.5x20	75.00
22250166	0.8x20	51.00
22250304	1.0x20	51.00
22250008	1.5x20	51.00
22250353	2.0x20	51.00
22250369	2.5x20	51.00
22250370	4.0x20	51.00
22250371	1.5x30	51.00
22250164	0.5x40	75.00
22250372	0.6x40	75.00
22250167	0.8x40	51.00
22250303	1.0x40	51.00
22250446	1.25x40	51.00
22250345	1.5x40	51.00
22250359	2.0x40	51.00
22250387	3.5x40	51.00
22250373	0.6x60	105.00
22250165	0.8x80	51.00
22250376	0.6x80	51.00
22250168	0.8x80	51.00
22250013	1.0x80	51.00
22250302	1.5x80	51.00
22250352	2.0x80	51.00
22250301	0.3x80	51.00
22250378	0.8x160	105.00
22250445	0.8x160-2	156.00
22250392	0.8x40-2	105.00
22250394	1.0x40-2	105.00
22250390	1.25x40-2	105.00
22250444	1.5x40-2	105.00

Gaspardo Seed Plates Continued on Next Page...

Seed Plates (Cont'd)

R			SP • SD • MT		
Part No.	Description	Price	Part No.	Description	Price
99514661	0.5x24	70.00	22230298	0.8x20	45.00
99514663	0.8x24	70.00	22230327	1.1x20	36.00
99514664	1.0x24	63.00	22230320	1.5x20	36.00
99514666	1.5x24	63.00	22230294	2.1x20	36.00
99514621	0.5x45	86.00	22230203	2.5x20	36.00
99514623	0.8x45	86.00	22230192	3.5x20	36.00
99514624	1.0x45	70.00	22230048	4.5x20	36.00
99514626	1.5x45	70.00	22230047	5.5x20	36.00
99514631	0.5x75	110.00	22230253	1.5x26	36.00
99514633	0.8x75	86.00	22230296	2.1x26	36.00
99514634	1.0x75	86.00	22230289	2.5x26	36.00
99514636	1.5x75	86.00	22230249	3.5x26	36.00
15824360	2.0x75	86.00	22230050	4.5x26	36.00
99514641	0.5x90	110.00	22230303	5.0x26	36.00
99514643	0.8x90	110.00	22230049	5.5x26	36.00
99514644	1.0x90	94.00	22230317	1.1x36	36.00
99514646	1.5x90	94.00	22230196	1.5x36	36.00
15824460	2.0x90	94.00	22230051	2.1x36	36.00
99514671	0.5x120	140.00	22230290	2.5x36	36.00
99514673	0.8x120	125.00	22230197	3.5x36	36.00
99514574	1.0x120	102.00	22230199	4.5x36	36.00
99514576	1.5x120	84.00	22230217	5.5x36	36.00
15824660	2.0x120	84.00	22230194	0.5x52	45.00
99514581	0.5x90-2	149.00	22230195	0.8x52	45.00
99514583	0.8x90-2	118.00	22230321	1.5x52	45.00
99514584	1.0x90-2	102.00	22230299	2.5x52	45.00
99514591	0.5x120-2	195.00	22230316	3.5x52	45.00
99514593	0.8x120-2	195.00	22230288	4.25x52	45.00
99514595	1.0x120-2	118.00	22230193	1.1x72	63.00
			22230257	1.5x72	63.00
			22230213	2.1x72	63.00
			22230256	4.5x72	63.00
			22230301	0.5x144	118.00
			22230297	0.8x144	118.00

Solex Multipurpose Planter

Big Planter Features For Small Acreages and Gardens.

Accurately place 34 to 650 pounds of fertilizer per acre

Simultaneously plant and place fertilizer

Comes with four seed plates, four distance gears for a wide selection of crops and planting distances.

- Seed opener cuts & shapes seed bed for precise control of seed depth. Opener mounted independently, floats up and down without lifting press wheel. Set seed depth with hand crank when depth shoe not used.

Adjust fertilizer rate with a wing nut

Set seed depth with handle

- Press wheel mounted independently from seed opener floats up and down without effecting seed opener. Maintains steady drive for uniform seed spacing. Press wheel is cast - iron, split-V design to firm soil over seed and leave loose zone directly over seed.

Dirt scrape keeps press wheel free from clods

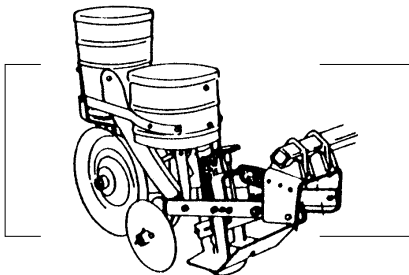
- Gravity drop hopper. Plants seeds 3/32" and larger without damage. Planter comes with four seed plates and four distance gears.

Split-rim, concave cast iron press wheel firms seedbed, but leaves loose zone directly over seeds

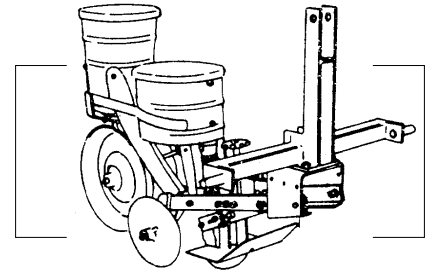
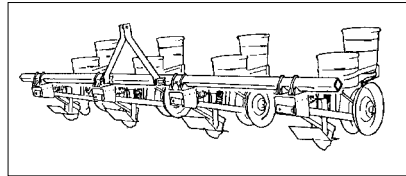
Spring-loaded seed opener for positive depth control

- Adjustable fertilizer application rates from 34 to 650 lbs. per acre. Fertilizer placer cuts fertilizer into ground along side row.

- Positive depth control adjusts depth in 1/2" increments.



Mounting Options



Planters can be mounted to rear angle frame or other cultivators or to diamond mounted tool bars.

Two-row & four-row units with planter - mounted gauge wheels (optional). Gauge wheels also available for mounting to carrier.

Cat. I hitch for mounting direct to tractor. Gauge wheel available for planter mounting.

Numbers which follow the descriptions in the listing below are quantity and bundle numbers required to make the complete order number. Each bundle needed to make a complete order number is also available separately.

Part No.	Illustration	Description	Wt	Price
12MXTB (1) 012-0103 (2) B46-670		Mounts To 2-1/4" and 2-1/2" Corner - Mounted Bars Planter w/ mounting brackets for multi-row application. 3 seed plates with each unit. Fertilizer rate adjustable from 34 to 650 lbs. per acre.	181 lbs	\$839.00
(1) B460676		Gauge Wheel - Mounts to Planter 12" wheel on sealed ball bearings. Zero-pressure rubber tire functions independently from tractor. Recommended for tractors w/o position control. not for use with opening foot.	16 lbs	105.00
		3Pt. Mounting Hitch Mounts Multipurpose Seeder to tractor with Category I three-point hitch	18 lbs.	88.00

Seedplate Pricing on Next Page...

Seedplates for Solex Multipurpose Planter

Four Plates starred [*] are included with every Solex Multipurpose Planter

Description	Cells	Number	Rate
CORN: Plates plant one seed per cell			
Ex. Small Round, Including Popcorn	18	X-604	\$16.00
Small	18	X-605	16.00
	12	DX-514	16.00
Medium Round	18	X-606	16.00
	12	DX-519	16.00
Large Round	18	X-607	16.00
Ex. Small Flat	12	DX-551	16.00
Small Flat	12	DX-554	16.00
Small Medium Flat	12	DX-557	16.00
Medium Flat	18	X-613	16.00
	12	X-367	16.00
Medium Large Flat	12	DX-563	16.00
Large Flat	12	DX-566	16.00
SOYBEANS/FIELD PEAS			
Plants 2 or 3 per cell	42	*30-433	16.00
MILO/SORCHUM: Also plants okra, tomato, asparagus, cane, coated sugar beets and similar seeds.			
2 per cell	40	X-343	16.00
2 to 3 Sorghum, 1 to 2 Okra Per Cell	16	*30-434	16.00
PEANUTS			
Small peanuts: 1000-1200 avg. seeds/pound. 1 per cell. 12-75 lbs/acre	21	X-454	16.00
Medium peanuts such as N.C. Runner: More than 1 per cell. 25-125 lbs/acre.	26	X-467	16.00
Large peanuts such as Virginia Bush	16	X-476	16.00
Ex. Large peanuts such as Flora Giants	16	X-480	16.00
COTTON: Acid Delinted			
Plants 3 or 4 seed per hill	12	X-500	16.00
Drills seed	40	DX-576	16.00
WATERMELON, CANTALOUPE, CUCUMBER, SQUASH			
Watermelon, squash: Plants 3 or 4 seeds per hill	2	DX-355	16.00
Cantaloupe, cucumber: Plants 2 or 3 seeds per hill	6	X-362	16.00
SNAP BEANS, LIMA BEANS, FIELD PEAS, ETC.			
Small snap beans	42	*30-433	16.00
Medium snap beans	40	X-353	16.00
Large snap beans such as Valentine and Contender: Drills field peas	36	X-350	16.00
Bush lima: 1 per cell	12	X-334	16.00
Bush lima: 2 per cell	12	X-337	16.00
Peas and beans: Plants 3 to 7 per hill	8	*30-435	16.00
Small limas: 1 per cell	32	X-340	16.00
SUNFLOWER: Plants approximately one seed per cell			
Grade #2 seed	18	X-627	16.00
Grade #3 seed	18	X-630	16.00
Grade #4 seed	18	X-633	16.00
Grade #5 seed	18	X-636	16.00
Grade #5 coated seed	18	X-605	16.00
Grade #10 and #15 seed	18	X-613	16.00

Solex Vegetable Seeder

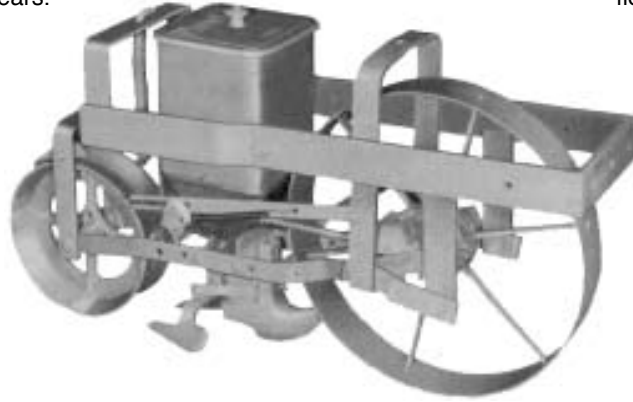
The Solex Seeder Has The Quality Features That Guarantee Performance In The Field:

Rugged Cast iron and steel construction plus quality craftsmanship mean quality you can count on for years.

Large capacity hoppers. Big five quart hopper on ground driven drills

Seed flow is automatically cut off when unit is lifted on models with floating hitch

Spring loaded dirt scrape on press wheel.



Large 3" wide front wheel levels the seed bed and provides steady power to the hopper

Press wheel is almost 3" wide for good covering. Firms the soil, leaving a loose zone directly over the seeds. Promotes good emergence.

4" of float designed into floating hitch permits each drill to follow the contours of the ground independently

Floating coverer promotes good covering. Amount of float is adjustable.

Sword seed opener slices a clean furrow. Six optional seed openers are available for all needs. Planting depth is set by a wing nut on the seed opener. No fitted tools are

Enclosed gear drive provides positive power



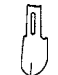

Part No.	Illustration	Description	Wt	Price
Mounted Vegetable Drills- Includes Three seed Plates				
B91-92B B10-039X		Mounted vegetable drills. Full 4" float - front and rear wheels. Automatic seed cutoff. Vegetable Drill with floating hitch 5 lbs Narrow Brush feed wheel. For gentle handling of seeds in single spout hopper	59 lbs	445.00 10.63
Chain Drive Vegetable Hoppers				
B10-781X		Single spout hopper. Std base plate for mount to tractors or implements, front & rear. 9.5 qt capacity 3 seed plates, 8 tooth #25 chain hopper sprocket, 10 tooth #25 chain split sprocket for 7/8" & 1" shafts and 26" long round flexible seed tube.	13 lbs	238.00
B10-039X		Narrow Brush feed wheel. For gentle of seeds in single spout hopper	.5 lbs	10.63
B8109X		Double spout hopper. td base plate for mount to tractors or implements, front & rear. 9.5 qt capacity 3 seed plates, 8 tooth #25 chain hopper sprocket, 10 tooth #25 chain split sprocket for 7/8" & 1" shafts and 26" long round flexible seed tube. Wide Brush feed wheel. For gentle handling of seeds in 2 spout hopper.	13 lbs	238.00

Shoes, Mounting Kits, and Seedplates on Next Page...

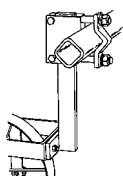
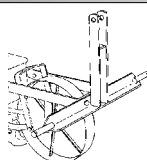
Accessories for Solex Vegetable Seeder

Planter Shoes, Mounting Kits, and Seed Plates for Solex Seeders

Drill Shoes

Item No.	Illustration	Type	Width	Depth	Weight	Price
Optional Drill Shoes Shoes - Must be ordered separately. K-712 standard on all drills						
B0K-712		Shallow general purpose shoe (Standard on all drills)	Narrow	0-1-1/2"	1 lb	\$13.00
B0K-762		Shallow upland shoe/hard soil	Narrow	0-1-1/4"	1 lb	16.00
B0K-783		2" scatter shoe	2" Wide	0-1/1/2"	1 lb	19.50
B0K-769		4" scatter shoe	4" Wide	1-2-1/2"	1 lb	19.50

Mounting Brackets

Item No.	Illustration	Type	Weight	Price
Hitches To Mount 9192A to Toolbar				
B21-259		Mounts 9192A to 2.5" corner-mounted toolbar. Adjustable Height, .75 x 2" shank.	16 lbs	\$72.00
Three-Point Hitch For 9192A				
B46-664A		Mounts 9192A to tractors with Cat I 3-point hitch	18 lbs.	88.00

Seed Plates

Part No.	Description	Price
P00-5458M	Seed plate, metal 3/32 tp 7/32	16.81
P00-5459M	Seed plate, metal 13/64 to 3/8	16.81
P00-5460M	Seed plate, metal 25/64 to 3/4	16.81
P00-5494M	Seed plate, metal 3/32 to 7/32 double	18.72
P00-5495M	Seed plate, metal 13/64 to 3/4 double	18.72
P00-5496M	Seed plate, metal 25/64 to 3/4 double	18.72

Seed Spider Planter

High Density Planting System • Ideal for Salad Mix, Carrots, Radish, and Green Onions

Seed Spider lets you control seeding rate with the push of a button. An electric encoder motor driven sponge uniformly meters raw and coated seed, and each metering unit dispenses one to six lines. Seed spider adapts easily to existing planting sleds.

Seed rate controller and driver has GPS speed sensing. Each driver accepts up to eight metering units and the controller will accept up to three drivers. For smaller growers, an economy controller/driver that will accept up to four metering units.

- Canister empties quickly for changing crops.
- Seeds metered uniformly from line to line.
- Easy to understand calibration.
- Corrosion resistant stainless steel construction.
- Metering units removed quickly to prevent theft or damage during bad weather.
- 12v motors turn .3 rpm to 30 rpm in .1 rpm increments

Features



Encoder Controller

with LCD display



Quick-Mount Hopper

60 second removal & change



Encoder Driver

Accepts eight metering units



Soil Opener

Unique design for even depth

Sled Setup



Economy Sled

The Seed Spider economy sled provides an affordable chassis on which to mount the seed metering unit.

Seed Spider Planter

Solex Sled Planter with 30 lines on 2" centers.



Part No	Description	Price
1" hose model		
1085.21	2 outlets, 1" hose	2600.00
1085.31	3 outlets, 1" hose	2600.00
1085.41	4 outlets, 1" hose	2600.00
1085.51	5 outlets, 1" hose	2600.00
1085.61	6 outlets, 1" hose	2600.00
5/8" hose models		
1085.25	2 outlets, 5/8" hose	2600.00
1085.35	3 outlets, 5/8" hose	2600.00
1085.45	4 outlets, 5/8" hose	2600.00
1085.55	5 outlets, 5/8" hose	2600.00
1085.65	6 outlets, 5/8" hose	2600.00
Controllers & Drivers		
1400	Controller	3110.00
1401	Driver	3498.00
1480	Controller/Driver	3668.00
Sleds & Accessories		
AE 1550	Economy sled: 61"	7520.00

Model 1500 Transplanter

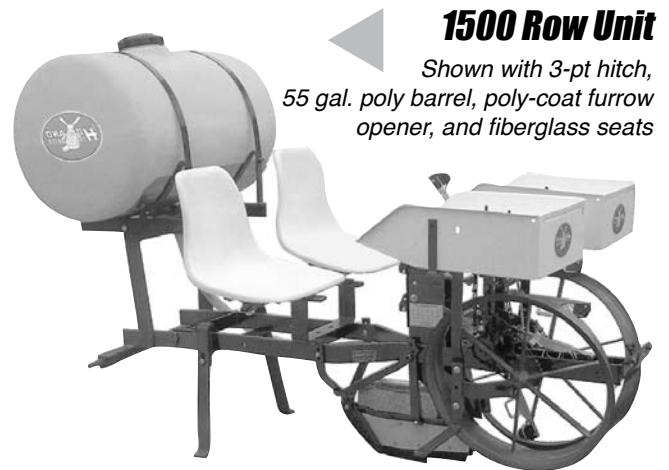
Conventional Transplanter • Packing Wheel Drive • 2 Operators Plant 60 per Minute

- Adjustable steel seats with backrests and footrests
- Rugged welded steel frame with steel pack wheels
- Adjustable steel chain tighteners & closing guide
- Plant boxes & stands with baked enamel paint.
- High carbon steel furrow opening shoe
- Cast iron spacing sprockets included

When ordering, specify choice of the following:

1. Round point (light soil) or blunt point (heavy soil) opener.
2. P54, P54S, P54S2, P54P plant holders.
3. SR or CF water valve. More than 10 holders req. C
4. Standard adjustable plant boxes and stands. Adjustable required on planters with row widths under 40".

Complete transplanter requires row unit, seats & hitch.



Part No	Description	Wt (lbs)	Price
50000-1506C	1500 transplanter unit with 6 plant holders on chain drive arrangement	300	\$1,685.00
50000-1508C	1500 transplanter unit with 8 plant holders on chain drive arrangement	300	1,685.00
50000-1510C	1500 transplanter unit with 10 plant holders on chain drive arrangement	300	1,685.00
50000-1512C	1500 transplanter unit with 12 plant holders on chain drive attachment	300	1,712.00
50000-1508D	1500 transplanter unit with 8 plant holders on disc drive arrangement	300	1,712.00
50000-1510D	1500 transplanter unit with 10 plant holders on disc drive arrangement	300	1,712.00
50000-1512D	1500 transplanter unit with 12 plant holders on disc drive arrangement	300	1,752.00
50000-1516D	1500 transplanter unit with 16 plant holders on disc drive arrangement	300	1,752.00
50000-1520D	1500 transplanter unit with 20 plant holders on disc drive arrangement	300	1,752.00
	Positive drive unit for use with positive drive mounted fert. attachments		add 218.00
Options in lieu of Standard Equipment, Hitches and mounting Brackets			
	Rubber packing wheels (pair)		add 380.00
	Polymer coated furrow opener		add 122.00
	10" blunt point furrow opener		add 109.00
	Jumbo (taller) size plant boxes (pair)		add 109.00
	Adjustable steel packing wheels (pair)		add 68.00
	Wider flanged steel packing wheels (pair)		add 68.00
39701	Three point CAT I standard hitch	40	299.00
39702	Three point CAT I hitch with barrel mounting brackets	90	408.00
39715	Three point CAT II Hitch with barrel mounting brackets	90	408.00
39703	2-1/4" diamond toolbar hitch	45	340.00
39704	4" x 7" toolbar hitch	45	340.00
39728	4" x 4" toolbar hitch	45	340.00
39710	Mounting bracket for 1301 & 1302 frame w/o fertilizer attachments	40	272.00
39711	Mounting bracket for 1304 frame	40	272.00
39712	Mounting bracket for 1302 frame with fertilizer attachments	45	333.00
39713	Mounting bracket for 1302HC & 1304HC frame w/o fert. attachments	40	272.00
39714	Mounting bracket for 1302HC & 1304HC frame with fert. attachments	45	333.00

Model FWD1500 Transplanter

Conventional Transplanter • Front Drive Wheel • 2 Operators Plant 60 per Minute

Model FWD1500 Row Unit

Shown with polymer coated furrow opener, rubber tire packing wheels, 55 gal. poly barrel, 3-pt hitch, and fiberglass seats



The key design element in this Holland Transplanter is the large tread traction grip front wheel which powers the transplanting pockets via chain. The result is consistent spacing as the front wheel carries the weight of the machine, letting the planting unit float for efficient operation.

Features:

- Closing guides, seats, footrest and plant box locations are all adjustable to your individual needs.
- Solid steel, all welded frame.
- Adjustable chain tensioners prevent packing wheel slip.
- Heavy duty drive chains, conveyor chains and cast iron sprockets minimize breakage downtime.
- Grease fittings - all moving parts have grease fittings for a long and dependable life span.

When ordering transplanting units, specify your choice of the following:

1. Round (light soil) or blunt (heavy soil) opener.
2. P54, P54S, P54S2, P54P plant holders.
3. SR metered water valve or CF flow water valve. Units with more than 10 plant holders on disc require CF.
4. Standard width or adjustable plant width boxes and stands. Adjustable plant boxes and stands are required on multi-row planters with row widths less than 40".

Complete transplanter requires row unit, seats & hitch.

Part No	Description	Wt (lbs)	Price
FWD1506C	FWD1500 transplanter unit with 6 plant holders on chain drive	300	\$1,902.00
FWD1508C	FWD1500 transplanter unit with 8 plant holders on chain drive	300	1,902.00
FWD1510C	FWD1500 transplanter unit with 10 plant holders on chain drive	300	1,902.00
FWD1512C	FWD1500 transplanter unit with 12 plant holders on chain drive	300	1,929.00
FWD1508D	FWD1500 transplanter unit with 8 plant holders on disc drive	300	1,929.00
FWD1510D	FWD1500 transplanter unit with 10 plant holders on disc drive	300	1,929.00
FWD1512D	FWD1500 transplanter unit with 12 plant holders on disc drive	300	1,970.00
FWD1516D	FWD1500 transplanter unit with 16 plant holders on disc drive	300	1,970.00
FWD1520D	FWD1500 transplanter unit with 20 plant holders in disc drive	300	1,970.00

Options in lieu of standard equipment

	Rubber packing wheels		add 380.00
	Polymer coated furrow opener		add 122.00
	10" blunt point furrow opener		add 109.00
	Jumbo (taller) size plant boxes (pair)		add 109.00
	Adjustable steel packing wheels (pair)		add 68.00
	Wider flanged steel packing wheels (pair)		add 68.00

Model FWD1500 Transplanter Hitches and Mounting Brackets

39721	Three point CAT I standard hitch	105	788.00
39720	Three point CAT I hitch with barrel mounting brackets	150	890.00
39725	Three point CAT II hitch with barrel mounting brackets	150	890.00
39722	2-1/4" diamond toolbar hitch	130	849.00
39723	4" x 7" toolbar hitch	130	849.00
39729	4" x 4" toolbar hitch	130	849.00
39724	Unit mounting bracket for 1302, 1302HC, 1304 and 1304HC	150	849.00

Model 1600

Conventional Transplanter • Toolbar Mount Chassis • Drives From Packing Wheels

Features:

- Closing guides, seats, footrest and plant box locations are all adjustable for faster, more comfortable planting.
- Solid steel, all welded frame.
- Adjustable chain tighteners prevent packing wheel slip.
- Heavy duty drive chains, and sprockets.
- All moving parts have grease fittings.
- Can be mounted on any type tool bar for three point multi row planting arrangements.

When ordering, specify choice of the following:

1. Round point (light soil) or blunt point (heavy soil) opener.
2. P54, P54S, P54S2, P54P plant holders.
3. SR or CF water valve. More than 10 holders req. C
4. Standard adjustable plant boxes and stands. Adjustable required on planters with row widths under 40".

Complete transplanter requires row unit, seats & hitch.

Model 1600 Transplanter Row Unit

Shown with blunt furrow opener and fiberglass seats.



Part No	Description	Weight	Price
Model 1600 Transplanter Unit complete with:			
1606C	6 Plant holders on chain drive arrangement	300 lbs	\$1,685.00
1608C	8 Plant holders on chain drive arrangement	300 lbs	1,685.00
1610C	10 Plant holders on chain drive arrangement	300 lbs	1,685.00
1612C	12 Plant holders on chain drive arrangement	300 lbs	1,712.00
1608D	8 Plant holders on disc drive arrangement	300 lbs	1,712.00
1610D	10 Plant holders on disc drive arrangement	300 lbs	1,712.00
1612D	12 Plant holders on disc drive arrangement	300 lbs	1,739.00
1616D	16 Plant holders on disc drive arrangement	300 lbs	1,739.00
1620D	20 Plant holders on disc drive arrangement	300 lbs	1,739.00
Model 1600N Narrow row transplanter for multi rows 18" or wider complete with:			
1606DN	6 plant holders on disc; seat, plant box, water valve (req. seat &hitch/row)	250 lbs	1,481.00
1608DN	8 plant holders on disc; seat, plant box, water valve (req. seat &hitch/row)	250 lbs	1,481.00
1610DN	10 plant holders on disc; seat, plant box, water valve (req. seat &hitch/row)	250 lbs	1,481.00
Options in lieu of standard equipment			
	Row replacement unit - (no sprocket, plant box, stands, seatbar, footrests)		ded 136.00
	Reinforced pockets - Model 1600 Add for each holder		ea 4.00
	Rubber packing wheels		add 380.00
	Polymer coated furrow opener		add 122.00
	10" blunt point furrow opener		add 109.00
	Jumbo (taller) size plant boxes (pair)		add 109.00
	Adjustable steel packing wheels (pair)		add 68.00
	Wider flanged steel packing wheels (pair)		add 68.00
Model 1600, 1650 Transplanter Hitches			
39706	2-1/4" diamond toolbar hitch	30 lbs	217.00
39707	4" x 4" or 4" x 7" toolbar hitch	40 lbs	231.00
39708	Conversion hitch from Model 1600 to Model 1500	25 lbs	231.00

Rotary One Transplanter

Rotary Carosel Transplanter • More than 70 Plants per Minute • Front Drive Wheel

Rotary One Row Unit

Shown with poly-coated opener, rubber tire packing wheels, fiberglass seat.



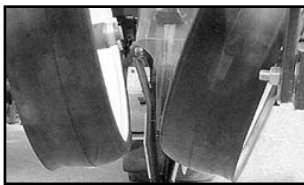
With one operator, this efficient machine will plant more than 60 plants per minute. After initial setting is made to fit your desired depth and plant spacing, plants are dropped into the rotating cups. The planter does the rest. Spacing and planting depth are both very uniform. This transplanter can be used as a single row unit mounted on a three point hitch, or any number of units can be mounted onto a toolbar or a tractor drawn main frame.

Standard equipment: Rotary One Transplanter units include polymer coated furrow opener, polymer coated skid sled, six cups, spacing sprockets, footrest, rubber packing wheels, and CF water valve .



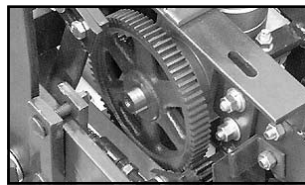
Plant Cup

Six large, hinged cups open their entire length, preventing hang-ups.



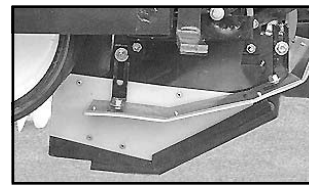
Pack Wheels

Rubber packing wheels are designed to firmly pack soil around each plant.



Gearbox

Our heavy duty gear box reduces downtime and eases maintenance.



Furrow Opener

Polymer coated to resist sticky soil assuring a narrow, uniform furrow.

When ordering transplanting units, specify your choice of the following:

1. Rubber packing wheels or steel packing wheels.
2. 3CF flow or SR metered water valve.
3. Fiberglass molded seat or cushion padded seat.
4. Specify for use with positive drive fert. attachments.

Part No	Description	Wt	Price
300000-310999	Row unit w/ rubber packing wheels, CF water valve; less seat	275 lbs	\$3,641.00
301000-311999	Row unit w/ rubber packing wheels, CF water valve; padded seat	275 lbs	3,736.00
302000-312999	Row unit w/ rubber packing wheels, CF water valve; fiberglass seat	275 lbs	3,777.00
Options in lieu of standard equipment			
	Steel packing wheel with scraper blade		add 122.00
	SR metered water valve		add 170.00
Options and Accessories for Rotary Planter Units			
39418	15" Straight coulter blade attachment	30 lbs	238.00
39422	Cultivator attachment (for single row units only)	85 lbs	258.00
39424	Bed leveler for use with single 3 point hitches less fertilizer attachment	25 lbs	156.00
39425	Bed leveler for use with single row mounted fertilizer attachment	25 lbs	156.00
Plant Holding Trays			
39408	Center spin in 4-tray holder	90 lbs	394.00
39409	Side slide 2-tray holder (pair)	65 lbs	312.00
39412	Top side slide 2-tray top holder (pair requires a #39409)	30 lbs	231.00
39410	Center slide 4-tray holder	50 lbs	285.00
39411	Top center slide 4-tray top holder (requires #39410)	30 lbs	177.00
39414	Side box holder w/ boxes (pr) (for loose plug/float plants not in trays)	30 lbs	177.00

Hitches For Rotary One Transplanters

Part No.	Description	Wt.	Price
Standard Drive Wheel Hitches			
39401	Three point CAT I hitch	105 lbs	666.00
39402	Three point CAT I hitch with barrel mounting brackets	150 lbs	781.00
39403	2-1/4" diamond toolbar hitch	130 lbs	774.00
39429	4" x 4" toolbar hitch	130 lbs	754.00
39404	4" x 7" toolbar hitch	130 lbs	754.00
39406	Mounting bracket for use with mounted fertilizer attachments	140 lbs	625.00
39405	Mounting bracket for main frames not using fertilizer attachments	130 lbs	788.00
39407	Mounting bracket for 1302HC & 1304HC frame using fertilizer attachment	180 lbs	917.00
39420	Mounting bracket for 1302 main frame using fertilizer attachment	180 lbs	944.00
Unit Toolbar mounted Short Hitches (for use with ground drive)			
39431	2-1/4 diamond toolbar hitch	65 lbs	312.00
39433	4" x 4" toolbar hitch	65 lbs	299.00
39430	4" x 7" toolbar hitch	65 lbs	299.00
Toolbar Mounted Short Hitch Ground Drive System with 6:70 x 15 tire			
39460	Two row center drive system for 4" x 7" toolbar (1-6:70 x 15 tire)		924.00
39467	Two row center drive system for 4" x 4" toolbar (1-6:70 x 15 tire)		924.00
39461	Two row center drive system for 2-1/4" diamond toolbar (2 - 6:70 x 15 tires)		1,562.00
39462	Two row drive system for 4" x 4" toolbar (2 - 6:70 x 15 tires)	400 lbs	1,562.00
39464	Two row drive system for 4" x 7" toolbar (2 - 6:70 x 15 tires)	400 lbs	1,562.00
39463	Four row drive system for 4" x 4" toolbar (2 - 6:70 x 15 tires)	400 lbs	1,630.00
39465	Four row drive system for 4" x 7" toolbar (2 - 6:70 x 15 tires)	400 lbs	1,630.00
Fertilizer Driven Short Hitches requires one per row			
39434	Hitch for use with mounted positive drive fertilizer attachment only	65 lbs	312.00

Fertilizer Attachments

Consists of hoppers, disc openers, and D.C. rims less tires (requires 1 pair tires). Does not include toolbar. On positive drive attachments fertilizer drive wheels also drive planting mechanism for uniform spacing.

Part No. 2" augers	Part No. 1" augers	Description	Wt.	List Price
3-pt/Toolbar mount Fertilizer Attachments (requires 1 - #39406 hitch for each row)				
39801	39821	One row 3 point hitch mounted (with hitch)	300 lbs	\$1,766.00
39802	39822	Two row 2-1/4" toolbar mounted	600 lbs	3,260.00
39803	39823	Two row 4" x 7" toolbar mounted	600 lbs	3,260.00
39812	39824	Two row 4" x 4" toolbar mounted	600 lbs	3,260.00
39804	39825	Four row 4" x 7" toolbar mounted (specify row widths)	1200 lbs	5,977.00
39818	39826	Four row 4" x 4" toolbar mounted (specify row widths)	1200 lbs	5,977.00
Positive Drive Mounted Fertilizer Attachments (requires 1 - #39434 hitch for each row)				
39839	39840	One row 3-point hitch mounted (with hitch)		1,902.00
39813	39834	Two row 2-1/4 toolbar mounted	615 lbs	3,532.00
39815	39836	Two row 4" x 7" toolbar mounted	615 lbs	3,532.00
39814	39835	Two row 4" x 4" toolbar mounted	615 lbs	3,532.00
39817	39838	Four row 4" x 7" toolbar mounted (specify row widths)	1230 lbs	6,589.00
39816	39837	Four row 4" X 4" toolbar mounted (specify row widths)	1230 lbs	6,589.00
Tires				
39652		6:70 x 15 traction lug tire for above fertilizer attachments (pr)		319.00

Holland Main Frames

Single Row Through Four Row Models with Water Barrel and Fertilizer Applicator Mounts



1302 Main Frame

Holds two planter units. It can carry a 300 gal. barrel and a 400 lb fertilizer attachment. For turning clearance, hydraulics raise entire frame including planters and attachments.



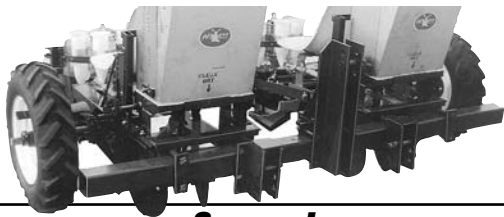
1304 Main Frame

The 1304HC holds three or four row units. It can carry two 300 gal barrels and 800 pounds of granular fertilizer. Like the 1302HC, it can also be raised for turning clearance.

Item No.	Description	Wt.	Price
39901	Single row main frame Model 1301	200 lbs	\$883.00
39906	Single row main frame Model 1700	150 lbs	1,032.00
39904	Two row main frame Model 1302	675 lbs	2,174.00
39907	Two row main frame Model 1900	300 lbs	2,174.00
39908	Three row main frame Model 900 (specify row widths)	825 lbs	3,532.00
39905	Four row main frame Model 1304HC (specify row widths)	1600 lbs	3,668.00
39903	Four row main frame Model 1304 (specify row widths)	1100 lbs	3,396.00
39909	Four row main frame Model 1100 (specify row widths)	1300 lbs	3,804.00

Toolbars

Rectangular and Diamond Toolbar for use with Holland Transplanters



Square bar

4x4 or 4x7 toolbars available in lengths up to 24'. Equipped with 3-pt hitch, these toolbars make a strong system. Ample support for carrying planters and fertilizer attachments.



Diamond bar

2-1/4" solid stock diamond toolbar, available in 6' or 8' lengths, is recommended lighter row units without fertilizer attachments. Includes a CAT I or II welded 3-pt hitch.

Item No.	Description	Wt.	Price
39859	8-foot 2-1/4" diamond welded toolbar with CAT I 3-point hitch	195 lbs	\$611.00
39860	8-foot 2-1/4" diamond welded toolbar with CAT II 3-point hitch	195 lbs	611.00
39855	6-foot 2-1/4" diamond welded toolbar with CAT I 3-point hitch	160 lbs	571.00
39853	6-foot 2-1/2" diamond welded tube toolbar with CAT I 3-point hitch	105 lbs	571.00
39856	4" x 7" x 3/8" wall toolbar (specify length)	25 lbs/foot	per ft 61.00
39858	4" x 4" x 3/8" wall toolbar (specify length)	18 lbs/foot	per ft 54.00
39718	Bolt-on CAT II 3-point hitch carrier for 4" x 7" toolbar	130 lbs	652.00
39719	Bolt-on CAT II 3-point hitch carrier for 4" x 4" toolbar	130 lbs	652.00
39730	Bolt-on CAT II, III quick hitch for 4" x 7" toolbar	140 lbs	706.00

Holland Options & Accessories

Seats • Packing Wheels • Cultivators • Row Markers • Water Barrels

Seats



Packing Wheels



Bolt-on Cultivators



Available for
main frames
and tool bars

Row Markers



Available for
main frames
and tool bars

Water Barrels

By carrying water with the planter, you give each seedling an added boost to help prevent transplant shock



Part No.	Description	Wt	Price
Seats			
39501	Steel pan seats (pair)	10 lbs	\$177.00
39509	Steel seat backrests (pair)	5 lbs	68.00
39502	Fiberglass molded seats (pair)	25 lbs	238.00
39503	Cushion Padded seats (pair)	65 lbs	333.00
Packing Wheels			
39561	Steel packing wheel extension rims (pr)	12 lbs	\$129.00
39562	Rubber packing wheels (pair)	30 lbs	489.00
Bolt-On Cultivator			
39541	Single row unit mid mount for 1500	85 lbs	\$326.00
39543	Single row unit mid mount for FWD1500	85 lbs	326.00
39546	Two row 2-1/4" toolbar mount	150 lbs	516.00
39545	Two row 4" x 7" toolbar mount	155 lbs	516.00
39551	Two row 4" x 4" toolbar mount	155 lbs	516.00
39542	Two row Model 1302HC mount	155 lbs	530.00
Row Markers			
39530	Single row unit for 1500/FWD1500/1600	20 lbs	\$170.00
39531	Double row unit for 1500/FWD1500/1600	35 lbs	183.00
39534	Double row marker for 2.25" toolbar mount	40 lbs	340.00
39533	Double row markers for 1302HC	70 lbs.	360.00
39535	4 row markers for 1304 main frame	90 lbs.	543.00
39536	4 row markers for 1304HC main frame	90 lbs.	543.00

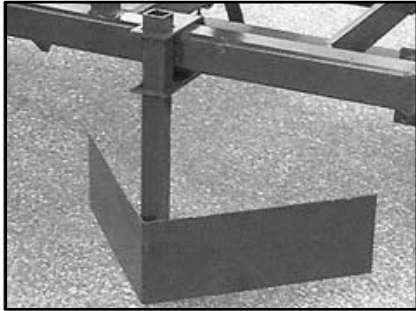
Part No	Description	Wt.	Price
39602	55 gallon poly barrel with galvanized liner	50 lbs	\$367.00
39603	110 gallon poly barrel with galvanized liner	100 lbs	Call
39605	300 gallon poly barrel with galvanized liner	120 lbs	849.00
Mounting Brackets			
39608	55 Gal; 2-1/4" diamond toolbar	80 lbs	312.00
39615	55 Gal; 4" x 7" toolbar	80 lbs	312.00
39618	55 Gal; 4" x 4" toolbar	80 lbs	312.00
39606	55 Gal; Tractor front. Specify make/model	60 lbs	Call
39607	55 Gal; Tractor side. Specify make/model	75 lbs	Call
39609	55 Gal; Tractor dual side. Specify make/model	150 lbs	Call
39616	100 Gal; 4" x 7" toolbar	85 lbs	Call
39619	100 Gal; 4" x 4" toolbar	85 lbs	Call
39610	100 Gal; Tractor front. Specify make/model	65 lbs	Call
39612	100 Gal; Tractor side. Specify make/model	75 lbs	Call
39613	100 Gal; Tractor dual side. Specify make/model	150 lbs	Call

Holland Options & Accessories

Bed Levelers • Tray Holders • Gauge Wheels • Coulter Blades • Tires • Hydraulic Kits

Bed Levelers

Levelers smooth ridges and insure seedlings are in moist soil underneath.



Part No	Description	Wt.	Price
39504	Single row for transplanter 1500 & FWD 1500	25 lbs	\$170.00
39505	Single row for transplanter mounted 1600	25 lbs	170.00
39510	Single row for transplanter mounted 1302HC	35 lbs	177.00
39511	Single row for main frame mounted 1304HC	35 lbs	177.00
39515	Single row for 3-pt hitch fert. attachment	35 lbs	170.00
39516	Single row for 2 or 4 row fertilizer attachment on 2.25" bar; Rotary One or 1500 (1 per row)	35 lbs	190.00
39517	Single row for 2 or 4 row fertilizer attachment on 4 x 4" bar; Rotary One or 1500 (1 per row)	35 lbs	190.00
39518	Single row for 2 or 4 row fertilizer attachment on 4 x 7" bar; Rotary One or 1500 (1 per row)	35 lbs	190.00

Plant Tray Holders



For greenhouse or float plant. Five different styles

Part No	Description	Wt.	Price
39500	Side slide 2-tray holder (pair)	65 lbs	\$340.00
39412	Top side slide 2-tray holder (pair, requires a #39500) (Holds four additional trays)	30 lbs	224.00

Gauge Wheels



Gauge wheels maintain the planter at a specified height, to control plant depth.

Part No	Description	Wt.	Price
39550	Single row Model 1500 mount (5:70 x 8" tire)	100	\$462.00
39951	(2) 5:70 x 8 w/1" bearing for 2-1/4" toolbar	70	489.00
39955	(2) 5:70 x 8 w/1" bearing for 4" x 4" toolbar	70	489.00
39956	(2) 5:70 x 8 w/1" bearing for 4" x 7" toolbar	70	489.00
39957	(2) 16x6x8 w/ sealed bearing; 4x7 mount		665.00
39958	(2) 7:60x15 tires w/ sealed bearing; 4x7 mount		802.00
39952	(2) 15" DC rims w/ roller bearing; 2.25" mount	185	666.00
39953	(2) 15" DC rims w/ roller bearing; 4x7" mount	185	666.00
39954	(2) 15" DC rims w/ roller bearing 4x4 mount	185	666.00

Coulter Blades



Cuts field trash and prevents it gathering around furrow opener

Part No	Description	Wt.	Price
39520	12" straight coulter blade; 1500/FWD1500	30 lbs	\$224.00
39522	15" straight coulter blade; 1500/FWD1500	30 lbs	238.00
39521	12" straight coulter blade; Model 1600	30 lbs	224.00
39519	15" straight coulter blade; Model 1600	30 lbs	238.00

Tires - Per Pair

Part No	Description	Wt.	Price
39650	6.5L x 15" Implement rib	30	\$353.00
39651	7:60 x 15" Implement rib	20	319.00
39652	6:70 x 15" traction lug	20	312.00
39654	11L x 15" flotation (10 ply)	30	455.00

Hydraulic Cylinders & Hose Kits

Part No	Description	Wt	Price
19502	3" x 8" Standard cylinder	40	\$272.00
19503	3" Series Cylinder (pr)	80	869.00
19505	Hose kit: 1301	10	190.00
19506	Hose kit: 1302	10	190.00
19507	Hose kit: 1302 HC	10	190.00
19509	Hose kit: 1304HC (series)	25	353.00
19508	Hose kit: 1304 (series)	25	353.00



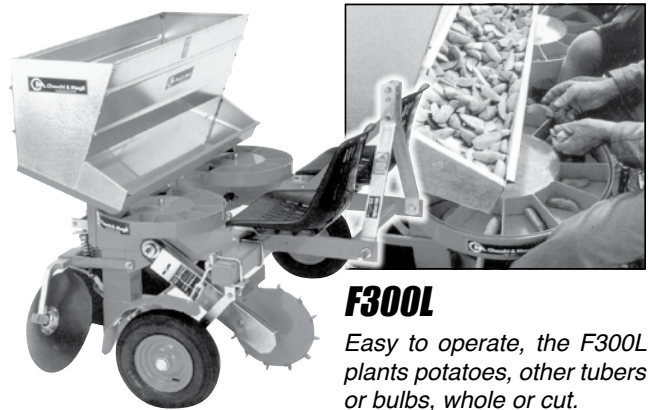
F300L Potato/Bulb Planter

Checchi & Magli's F300L Effectively Plants Potatoes, Tubers, and Bulbs.

The F300L is a high quality potato planter that will save you field time with its high working speed. The Checchi & Magli potato planter also provides unmatched precision and ease of use.

The F300L planter will handle whole or cut potatoes and bulbs. Plant spacing ranges from 5.5 to 11 inches, simply by choosing gears for the smooth-running drive system. Spacings over 11 inches on request. Planting depth is also easily adjustable.

All models mount to A-frame toolbar and require a minimum of 20-40 hp.



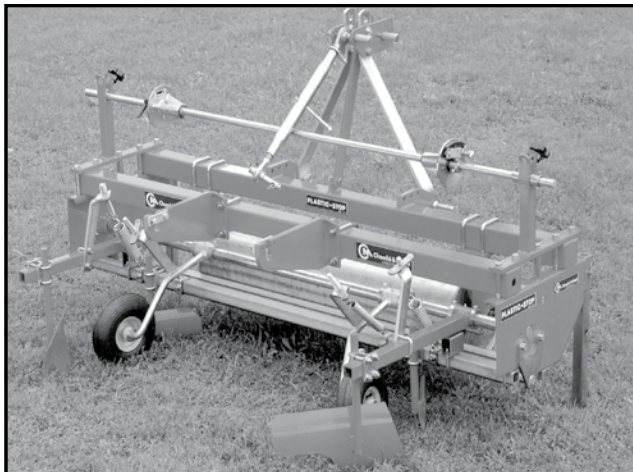
F300L

Easy to operate, the F300L plants potatoes, other tubers or bulbs, whole or cut.

Model	Description	1 row	2 rows	3 rows	4 rows
F300L	Potato/Bulb planet less hopper	2,268.00	3,633.00	5,001.00	6,797.00
	Seed Hopper	304.00	480.00	909.00	1,085.00

Plastic-Stop Mulch Layer

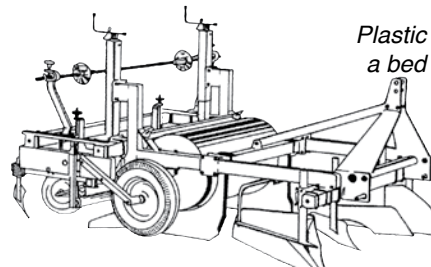
An Excellent Machine For Laying Plastic Mulch and Forming Beds



The Checchi & Magli Plastic stop places plastic mulch on bed surface while putting soil on sides to hold plastic in position. It is available with front stainless steel roller or front mounted rubber-tired gauge wheels.

Bed Roller

Plastic stop is available with a bed maker that forms the bed as it lays mulch. The bed height can 4" to 12" and the bed top from 18" to 34". Stainless roller is included



Model	Description	Wt	Price
PS14S	Plastic Mulch Layer with stainless roller, for plastic up to 55" wide	583 lbs	5,748.00
PS14R	Plastic Mulch Layer, with rubber wheels, for plastic up to 55" wide	583 lbs	4,923.00
PS19S	Plastic Mulch Layer, stainless roller, for plastic up to 75" wide	693 lbs	6,538.00
PS19R	Plastic Mulch Layer, with rubber wheels, for plastic up to 75" wide	693 lbs	5,427.00
AL	Bedmaker with stainless roller	638 lbs	6,940.00
AL-S14	Bedmakers & Plastic Layer combo	1111 lbs	11,208.00

Prices F.O.B Dixon

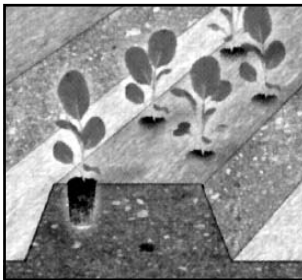
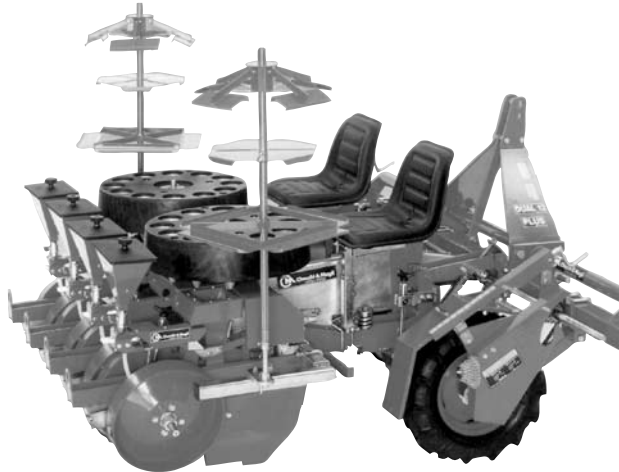


Dual 12 Gold

Checchi & Magli's Dual 12 Allows A Single Operator to Plant Two Lines.

The Checchi & Magli Dual 12 is a top-quality rotary transplanter that allows a single operator to do the job of two. With a Dual 12, you can transplant two lines from just one row of transplanter. The staggered spacing between the two lines is adjustable from 12" to 20" and within each row, plant spacing is adjustable from 5.5" to 20" using the multi-sprocket drive wheel.

The Dual 12 Gold will accept plants rooted in conical or pyramidal shaped plugs. It is available with your choice of rotary or sloped tray holder. An automatic safety disengagement helps to prevent operator injury.



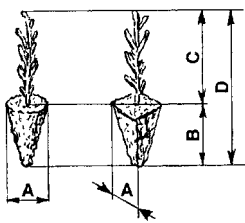
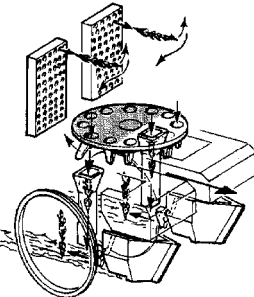
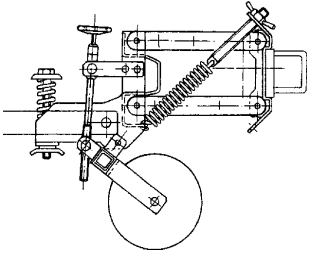
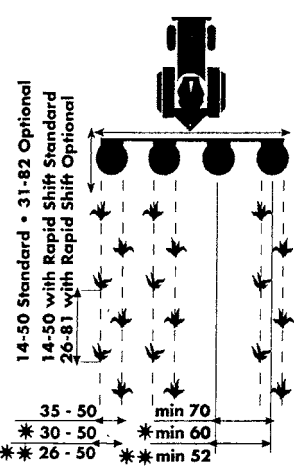
Staggered Spacing

Adjustable from 12" to 20" using multi-spacing drive wheel.



Simple Multiline Planting

One operator can simultaneously plant two lines

Recommended Usage:	Distributor	Chassis:	Plant Spacing:
 <p>For use with plants with tapered and pyramidal shaped roots up 1.5" in dia.</p> <p>A = 1/2" to 1-1/2" B = 1-1/2" to 2-3/4" C = 3" to 8" D = 4-3/4" to 10-1/2"</p>	 <p>Horizontal rotating with 12 bottom-opening cups with staggered-row plant distribution.</p>	 <p>Independent floating row units. Parallel linkage chassis stays horizontal. Adjustable spring for packing wheel pressure. Cross-joint system allows independent floating of each plant line.</p>	<p>units in cm</p>  <p>14-50 Standard • 31-82 Optional 14-50 with Rapid Shift Standard 26-81 with Rapid Shift Optional</p> <p>35 - 50 min 70 * 30 - 50 * min 60 * 26 - 50 * min 52</p>



Dual 12 Gold Pricing

Standard Equipment: toolbar with hich, drive shaft, pair ground drive wheels, rotary tray holder, and rows of planter

	2 Lines	4 Lines	6 Lines	8 Lines
Dual 12 Gold	11,756.00	21,903.00	32,309.00	42,683.00

TO ASSEMBLE CUSTOM TRANSPLANTER, SEE COMPONENTS LISTING ON PAGE F-70

Accessories



Coulter Kit

For use in heavy soil or trash



Optional Skids

For soft, dry soils, rear press wheels may be used in combination with the skids



Transverse Tray Holders

For those who need higher capacity than the standard rotary tray holders

Part No.	Description	Price
500428	Distributor Cup Extensions (set of 12)	209.00
510111	Kit to add 2nd seat to row unit	597.00
510096	Pair coulter discs to mount in front of runners	521.00
500032	Rotary tray holder	274.00
510099	Skid kit (pair)	1,232.00
510063	Spacing kit (3.9")	238.00
550041	Spacing kit (12.2" - 32.3")	209.00
500207	Transverse tray holder 2.0 m	1,308.00
500209	Transverse tray holder 2.5 m	1,529.00
500209	Transverse tray holder 3.0 m	1,782.00
500214	Transverse tray holder 3.5 m	2,037.00
500410	Transverse tray holder 4.0 m	2,649.00
500385	Water Valve (per line))	500.00

Prices F.O.B Dixon



Trium

The Checchi & Magli Trium is Designed To Transplant Large, Bushy Plants with Ease.

Checchi & Magli Trium is a 10 cup rotary transplanter that will accommodate large, bushy plants.

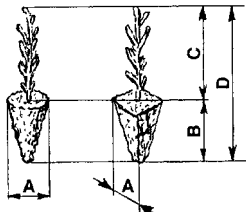
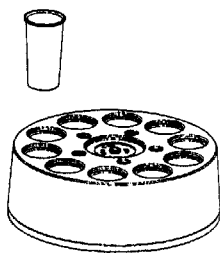
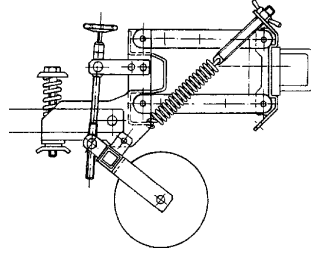
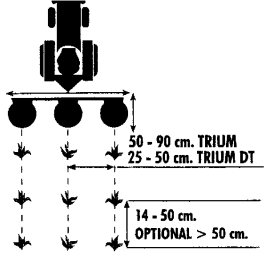
The Trium is adjustable for a wide range of conditions. Plant spacing is adjustable from 5.5" to 20" by simply changing a ground drive sprocket. Depth and position of rear press wheels are controlled with the turn of a knob. The Trium may be mounted on 22" centers

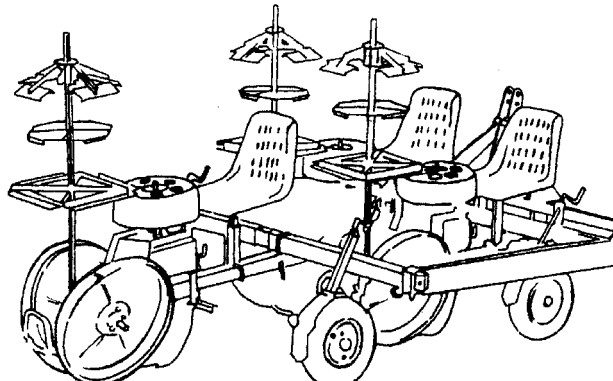
The Checchi & Magli Trium will accept plants rooted in conical or pyramidal shaped plugs.

A latch releases the planter shoe to remove unwanted soil. Available with rotary tray or sloped tray holders.



Features:

Recommended Usage:	Distributor	Chassis:	Plant Spacing:
 <p>For plants w/ tapered & pyramidal shaped roots up to 1.5" in dia Large share kit for up to 3" available.</p> <p>A = 1/2" to 3" B = 1-1/2" to 2-3/4" C = 3" to 9" D = 4-3/4" to 12"</p>	 <p>Horizontal rotating carousel with 10 large capacity cup with standard distributor extension.</p>	 <p>Independent floating row units. Parallel linkage chassis stays horizontal. Adjustable spring for packing wheel pressure. Front flex adjustable wheels</p>	 <p>1 Row spacing: Trium: 19.75" - 35.5" Trium DT: 10" - 35.5"</p> <p>2 Plant spacing in row: All: 5.5" to 19.7" Optional: >19.7"</p>

Trium DT	
<p>Double toolbar design</p> <p>The Trium DT configuration is a double toolbar design. It is designed to be used when a customer requires row spacings from 10" to 20"</p> <p>By use of a special bracket, rows can be offset to obtain row spacing from 12" to 19" and still have all planters mounted on one toolbar.</p>	



Trium Pricing

Part No.	Description	Weight	Price
Trium 1	One row planter 1.5 m bar	435 lbs	6,459.00
Trium 2	Two row planter 2.0 m bar	698 lbs	11,526.00
Trium 3	Three row planter 3.0 m bar	1027 lbs	15,930.00
Trium 4	Four row planter 3.5 m bar	1296 lbs	20,252.00
Trium 6	Six row planter 4.0 m bar	1835 lbs	28,696.00
Trium 8	Eight row planter 4.5 m bar	2390 lbs	36,797.00

TO ASSEMBLE CUSTOM TRANSPLANTER, SEE COMPONENTS LISTING ON PAGE F-70

Accessories



Coulter Kit

For use in heavy soil or trash



Rubber Tires

On rear press wheels for wet, sticky soils



Skids

For soft, dry soils, rear press wheels may be used in combination with the skids



Transverse Tray Holders

For those who need higher capacity than the standard rotary tray holders

Part No.	Description	Price
510063	Close Spacing Kit - 10 cm (per drive wheel)	238.00
550045	Extend spacing Kit	209.00
510104	Front Coulter Kit	275.00
510093	Cup reducers (set of 10) for small Plants	104.00
500032	Rotary Tray Holder	274.00
510085	Runner, narrow 8 mm (standard)	337.00
510128	Runner 18 mm	340.00
510126	Runner 33 mm	355.00
510055	Runner 42 mm	367.00
550003	Rubber press wheels add per row	406.00
510094	Skid assembly	597.00
500207	Transverse tray holder 2.0 m	1,308.00
500208	Transverse tray holder 2.5 m	1,529.00
500209	Transverse tray holder 3.0 m	1,782.00
500214	Transverse tray holder 3.5 m	2,037.00
500410	Transverse tray holder 4.0 m	2,649.00
500413	Water Valve	607.00

Prices F.O.B Dixon



Wolf Mulch Transplanter

The Wolf Planter Effectively Plants in Soil With or Without Plastic Mulch.

The Checchi & Magli Wolf Transplanter is specially designed so it can plant in soil prepared with plastic mulch. Its rotating perforating cups smoothly pierce soil with or without plastic mulch and gently deposit young plants.

The Wolf will handle a wide range vegetables, flowers, nursery plants, and bulbs up to 2-3/8" across and up to 8-1/2" in height. Spacing is determined by a combination of the number of cups use and choice of ground drive sprockets. This allows enormous flexibility in plant spacing ranging from 7.9" to 76". Planting depth is adjusted by simply turning a handcrank. Wear parts are cadmium-plated for long life.



Wolf effectively plants in soil with (or without) plastic mulch. It's perforating cups pierce through mulch and soil and gently deposit bulbs up to 2-3/8" in dia.

Shown here is the Wolf transplanter coupled with Checchi & Magli's Plastic stop mulch layer. This combination allows you to simultaneously bed, lay mulch, and transplant. For more information on the Plastic Stop Mulch Layer, See page F-61

Wolf operators placing plants into cups. Each operator can plant 3,000 plants per hour. Fastwolf attachment increases this speed by 17%

Specifications

Recommended Usage:	Plant Spacing:	Indictive production:
<div style="display: flex; flex-wrap: wrap;"> <div style="width: 50%;"> <p>1. Conical or cylindrical with dia up to 6 cm</p> </div> <div style="width: 50%;"> <p>2. Cubic, from 3x3 to 4x4 cm w/ opt. insert</p> </div> <div style="width: 50%;"> <p>3. Cubic, from 5x5 to 6x6 cm w/ opt. 6x6 cups</p> </div> <div style="width: 50%;"> <p>4. Bare root plants w/ suitable leaf system. bulbs & seeds up to 6cm</p> </div> </div>	<p>1 Row spacing: Wolf/2: 12.5" - 35.5" Wolf/3-6: 19.75" - 35.5"</p> <p>2 Plant spacing in row: All: 7.9" to 76"</p>	<p>Transplant speed per row is 2,800 - 3000 / hour</p> <p>Optional Fastwolf carousel (above) increases output to 4,000 plants/hour.</p>



Wolf Transplanter Pricing

Standard Equipment: toolbar with hitch, drive shaft, pair ground drive wheels, rotary tray holder, and rows of planter

Model	Description	1 cup	2 cup	3 cup	4 cup	5 cup	6 cup
	In-row spacings (inches)	48-78"	24-39"	16-26"	12-20"	10-15"	8-13"
Wolf/1	1 row of Wolf	6,160.00	6,482.00	6,500.00	6,806.00	7,110.00	7,414.00
Wolf/2	2 rows of Wolf	10,570.00	11,181.00	11,333.00	11,843.00	12,456.00	13,100.00
Wolf/3	3 rows of Wolf	14,897.00	15,812.00	15,880.00	16,968.00	17,731	18,649.00
Wolf/4	4 rows of Wolf	18,732.00	20,002.00	20,055.00	21,277.00	22,514.00	23,751.00
Wolf/5	5 rows of Wolf	22,600.00	24,144.00	24,260.00	25,774.00	27,336.00	28,879.00
Wolf/6	6 rows of Wolf	25,953.00	27,663.00	28,507.00	30,307.00	32,110.00	33,909.00
Wolf Compact							
Std Equip: toolbar with hitch, drive shaft, pair ground drive wheels, transverse tray holder 2 shelves, rows of planter							
Wolf Compact 3	3 rows of Wolf Compact				17,719.00	18,640.00	19,561.00
Wolf Compact 4	4 rows of Wolf Compact				22,213.00	23,450.00	24,621.00
Wolf Compact 5	5 rows of Wolf Compact				26,653.00	28,170.00	29,785.00
Wolf Compact 6	6 rows of Wolf Compact				31,248.00	33,039.00	34,833.00

TO ASSEMBLE CUSTOM TRANSPLANTER, SEE COMPONENTS LISTING ON PAGE F-70

Wolf Parts & Accessories

Fastwolf Rotary Top

Increases operator capacity 17% from 83 to 100 plants per minute.



Transverse Tray Holders

For those who need higher capacity than the standard rotary tray holders



Part No.	Description	Price
500279	Brush Kit	ea row 65.00
500006	Deep cups (will not accept 6 cups)	per cup 44.00
500405	Fast Wolf device	each row 1484.00
500280	Film Slide Wolf	each row 94.00
500032	Rotary Tray Holder	each row 274.00
500579	Transverse tray holder 1.5 m	1,250.00
500207	Transverse tray holder 2.0 m	1,308.00
500208	Transverse tray holder 2.5 m	1,529.00
500209	Transverse tray holder 3.0 m	1,782.00
500214	Transverse tray holder 3.5 m	2,037.00
500410	Transverse tray holder 4.0 m	2,649.00
500282	Water Valve	each row 420.00

Prices F.O.B Dixon

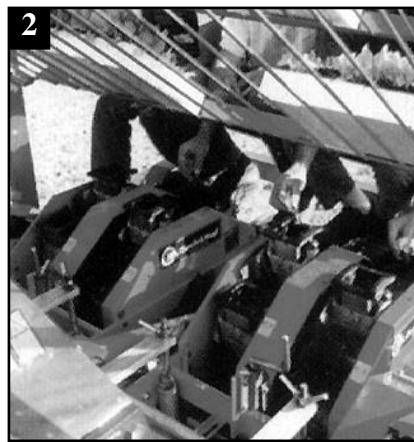
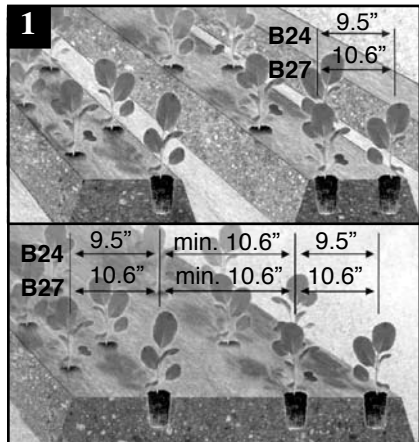
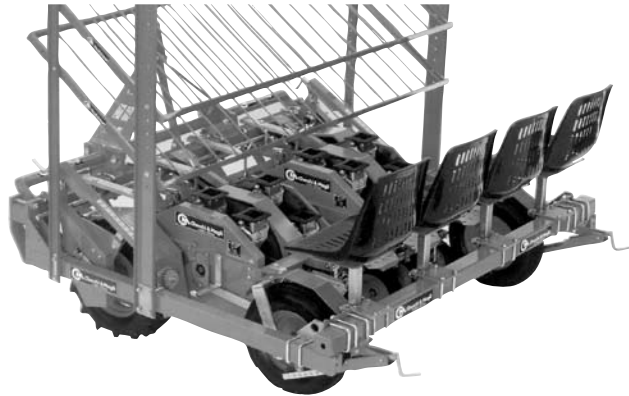


Wolf Bi-row: B24 B27 B30

Wolf Compact B24 & B27 Allow You To Plant Two Lines Per Bed in Mulch

The B24 B27, & B30 are the same as the same as the Wolf except that they plant two lines staggered on 24 cm (9.5") 27 cm (10.6"), or 30cm (11.8") centers. This is ideal for crops that are planted two lines per bed using plastic mulch.

Spacing is determined by a combination of number of cups and sprockets used on ground drive wheel. Planting depth is adjusted by simply turning a handcrank. Standard equipment includes: rows of planter, toolbar with hitch, ground drive wheel and support wheels, plastic seats and sloped tray holders.



(Pict. 1) Wolf compact B24 plants two lines 9.5" apart. Wolf B27 plants two lines 10.6" apart. Interrow spacing for either planter is a minimum of 10.6".

(Pict. 2) Operators quickly drop plugs into the Wolf compact's perforating cups. This easy operating method allows each operator to plant 50 plants per minute.

(Pict. 3) Four operators make quick work of transplanting using a Wolf compact B27/4 - D6.

Specifications

Recommended Usage:	Distribution System:	Plant spacing:
<ol style="list-style-type: none"> 1 Conical or cylindrical with dia up to 6 cm 2 Cubic, from 3x3 to 4x4 cm w/ opt. insert 3 Cubic, from 5x5 to 6x6 cm w/ opt. 6x6 cups 4 Bare root plants w/ suitable leaf system. bulbs & seeds up to 6cm 	<p>Vertical rotating pair-rows with 4 to 6 perforating cups, depending on desired plant spacing. Fixed distance between paired rows.</p>	<ol style="list-style-type: none"> 1 Plant spacing in row: 7.75" to 26" (up to 78" avail.) 2 Row spacing: Each dual row: 9.4" (B24); 10.6" (B27); 1.8" (B30). Between Units: min 10.6"



B24, B27, & B30 Pricing

Model	Description	D4 (4 cup)	D5 (5 cup)	D6 (6cup)
	In-row Plant spacings (inches)	12 - 20"	10 - 15"	8 - 13"
B24/2	One row of B24, plants 2 row of plants	12,745.00	13,097.00	13,562.00
B24/4	Two row of B24, plants 4 row of plants	23,766.00	25,026.00	26,388.00
B24/6	Three row of B24, plants 6 row of plants	32,953.00	34,836.00	36,857.00
B24/8	Four row of B24, plants 8 row of plants	44,921.00	47,430.00	50,150.00
B27/2	One row of B27, plants 2 row of plants	12,844.00	13,485.00	14,146.00
B27/4	Two row of B27, plants 4 row of plants	24,522.00	25,801.00	27,145.00
B27/6	Three row of B27, plants 6 row of plants	34,115.00	36,004.00	38,025.00
B27/8	Four row of B27, plants 8 row of plants	46,458.00	48,964.00	51,682.00
B30/2	One row of B30, plants 2 row of plants	13,103.00	13,756.00	14,429.00
B30/4	Two row of B30, plants 4 row of plants	25,014.00	26,316.00	27,687.00
B30/6	Three row of B30, plants 6 row of plants	34,797.00	36,723.00	38,785.00
B30/8	Four row of B30, plants 8 row of plants	47,388.00	49,942.00	52,716.00

B24, B27, & B30 Parts & Accessories

Fastwolf Rotary Top

Increases operator capacity 17% from 83 to 100 plants per minute.



Transverse Tray Holders

For those who need higher capacity than the standard rotary tray holders



Part No.	Description	Price
500279	Brush Kit	ea row 65.00
500006	Deep cups (will not accept 6 cups)	per cup 44.00
500411	Fast Wolf Device B24	each double row 3457.00
500412	Fast Wolf Device B27	each double row 3525.00
550007	Fast Wolf Device B30	each double row 3594.00
500399	Fast Wolf Device B24	each double row 209.00
500672	Fast Wolf Device B27	each double row 209.00
500673	Fast Wolf Device B30	each double row 209.00
500032	Rotary Tray Holder	each row 274.00
500579	Transverse tray holder 1.5 m	1,250.00
500207	Transverse tray holder 2.0 m	1,308.00
500208	Transverse tray holder 2.5 m	1,529.00
500209	Transverse tray holder 3.0 m	1,782.00
500214	Transverse tray holder 3.5 m	2,037.00
500410	Transverse tray holder 4.0 m	2,649.00
500282	Water Valve	each row 420.00

Prices F.O.B Dixon



Individual Components

For Custom Transplanter Applications

Part No	Description	List Price
Row units less rotary tray holder		
500415	Trium	3890.00
500524	Unitrium with unit drive wheel	3690.00
510103	Dual 12 Gold	8059.00
510112	Texdrive Best	3963.00
500114	Wolf with 4 standard cups	3775.00
500115	Wolf with 5 standard cups	4075.00
500116	Tex press wheel drive unit	2984.00
500033	Tex, press wheel drive unit	2984.00
500026	Fox, press wheel drive unit	2214.00
500053	Foxdrive, press wheel drive unit	2214.00
500032	Rotary tray holder for above row units	274.00
Drive & Support Wheels		
500274	LH Std drive wheel Texdrive, Dual 12, Trium	1120.00
500276	RH Std drive wheel Texdrive, Dual 12, Trium	1120.00
500354	RH, HD drive wheel Texdrive, Dual 12, Trium	1382.00
500355	LH, HD drive wheel Texdrive, Dual 12, Trium	1382.00
500147	LH Std drive wheel Wolf, B24-B27-B30	1079.00
500148	RH Std drive wheel Wolf, B24-B27-B30	1079.00
500348	RH HD drive wheel Wolf, B24-B27-B30	1302.00
500349	LH HD drive wheel Wolf, B24-B27-B30	1302.00
510087	RH HD long drive wheel Wolf, B24-B27-B30	1511.00
510088	LH HD long drive wheel Wolf, B24-B27-B30	1511.00
510101	RH Rapid Shift, HD drive wheels- Trium, D12	2014.00
510102	LH Rapid Shift, HD drive wheels- Trium, D12	2014.00
500092	LH, standard support wheel all models	656.00
500347	LH, HD Support wheel - all models	929.00

Part No	Description	List Price
Toolbars Incl. 3 pt hitch		
500061	Standard toolbar 40"	406.00
500062	Standard toolbar 60"	441.00
500063	Standard toolbar 80"	526.00
500064	Standard toolbar 100"	629.00
500105	Standard toolbar 120"	697.00
500055	HD Reinforced toolbar 80"	861.00
500056	HD Reinforced toolbar 100"	817.00
500057	HD Reinforced toolbar 120"	1064.00
500058	HD Reinforced toolbar 140"	1200.00
500059	HD Reinforced toolbar 160"	1291.00
500543	HD Reinforced toolbar 180"	1541.00
500544	HD Reinforced toolbar 200"	1608.00
500546	HD Reinforced toolbar w/ extra brac- ing 160"	2919.00
500547	HD Reinforced toolbar w/ extra brac- ing 180"	3102.00
500548	HD Reinforced toolbar w/ extra brac- ing 230"	3737.00
Hex Drive Shafts		
400248	Hex shaft 40"	61.00
400249	Hex shaft 60"	78.00
400250	Hex shaft 80"	97.00
400251	Hex shaft 100"	122.00
400252	Hex Shaft 120"	134.00
400253	Hex shaft 140"	156.00
400254	Hex shaft 160"	181.00
400486	Hex shaft 180"	203.00
400487	Hex shaft 200"	224.00

No-Till Drills

4' to 8' Seeding width • Cat I/II 3-pt hitch • Plants A Wide Variety of Seed



Kasco's No-Till seed drills are simple in design yet rugged enough to withstand severe No-Till conditions. A unique seed metering design allows you to plant a wide variety of seeds. Optional warm season grass box allows native grasses. The metering system is ground driven for accuracy. A standard 3-speed gearbox modifies the seed rate without the use of tools. Heavy 16" diameter notched coulters slice the ground. Single disc concave openers form the seedbed trench. Heavy duty cultipacker wheels firm the seedbed to ensure optimal seed-to-soil contact.

Part No.	Description	Width	Row Spacing	No. of Rows	Wt (lbs)	List Price	Back Freight
Eco-Drill							
KED-72	No-till drill, 3-pt Cat I/II. Notched Coulters	6'	8"	9	1385	11,445.00	\$969.00
KED-96	No-till drill, 3-pt Cat I/II. Notched Coulters	8'	8"	12	1855	13,510.00	1,298.00
Versa-Drill							
KVGT-489	No-till drill, 3-pt Cat I	4'	9"	5	700	7,180.00	490.00
KVGT-728	No-till drill, 3-pt Cat I	6'	8"	9	1225	11,130.00	857.00
KVGA-489	ATV Pull-type drill - Electric lift	4'	9"	5	800	8,775.00	560.00

Plotter's Choice Food Plot Planter

The Plotter's Choice Switches From Broadcast Seeding to Drilling in Just Minutes.

The most versatile implement of its kind on the market, the Plotter's Choice offers you more seeding options. You can switch between broadcast seeding grasses and drilling row crops in minutes. All ground-engaging components are rolling -- no shanks to drag trash. Three-Point or ATV Pull-Type models available.

Features:

- Switch between broadcasting & drilling in minutes
- A true drill for row crops
- A seeder for grasses



Model	Description	Rows	Width	Wt.	Price	Back Frt
KPCA-48	4' seeder/drill. Incl 12V lift	4 on 10"	4'	704	6,405.00	492.80
KPCT-48	3-pt drill/seeder	4 on 10"	4'	660	4,800.00	462.00
KPCT-72	3-pt drill/seeder	9 on 8"	6'	1040	8,530.00	728.00

Vari-Slice Overseeders

The Most Versatile Overseeder on the Market



Using straight, notched coulter blades on either 3-inch or 4-inch spacing, the Vari-Slice is the most versatile tool of its kind. It is ideal for yard seeding, waterways, pastures or food plots. Disc blades can be angled to work the ground, or left straight for overseeding. The seed metering system allows you to plant a wide variety of grass seed sizes. Optional warm season grass box ensures consistent planting of the native grasses. Ground drive provides precise seeding rate. Heavy duty cultipacker wheels follow the drop seed baffle to firm the seedbed and ensure optimal seed-to-soil contact.

Vari-Slice

Overseeder



Native Grass Seedbox

Available as optional Equipment.



Features:

- More Versatile than Any Other Seeder on the Market
- Overseed or Broadcast
- 3-inch or 4-inch Blade Spacing
- Native grass and vineyard models
- Precision seed placement and seed-to-soil contact.
- Vary width of seed groove by adjusting the disc angle.
- Plants a wide Variety of Seed

Part No	Description	Hitch	Spacing	Wt	Price	Back Frt
KOSL-483	4' Overseeder, primary seedbox only	3-pt	3"	990	5,025.00	693.00
KOSL-484	4' Overseeder, primary seedbox only	3-pt	4"	960	4,530.00	672.00
KOSP-483	4' Overseeder, primary seedbox only,	pull	3"	1090	6,685.00	763.00
KOSP-484	4' Overseeder, primary seedbox only	pull	4"	1060	6,105.00	742.00
KOS-603	5' Overseeder, primary seedbox only	3-pt	3"	1140	7,245.00	798.00
KOS-604	5' Overseeder, primary seedbox only	3-pt	4"	1080	6,810.00	756.00
KOS-723	6' Overseeder, primary seedbox only	3-pt	3"	1530	8,850.00	1,071.00
KOS-724	6' Overseeder, primary seedbox only	3-pt	4"	1480	8,325.00	1,036.00
The Vari-Slice for Native Grasses						
KWD-723	6' Overseeder; native grass box, legume box, 3-spd	3-pt	3"	1530	10,040.00	1,071.00
KWD-724	6' Overseeder; native grass box, legume box, 3-spd	3-pt	4"	1480	9,540.00	1,036.00
KWD-483	4' Overseeder; native grass box, legume box, 3-spd	3-pt	3"	1040	5,540.00	728.00
KWD-484	4' Overseeder; native grass box, legume box, 3-spd	3-pt	4"	1010	5,070.00	707.00
KWDA-483	4' Overseeder; native grass box, legume box, 3-spd	pull	3"	1140	7,120.00	798.00
KWDA-484	4' Overseeder. native grass box, legume box, 3-spd	pull	4"	1110	6,565.00	777.00

Vari-Slice Vineyard Special

Compact Chassis for easy handling in tight space • 3 to 4' Working Width • 3 Pt and Pull



All the popular features of the Vari-Slice overseeder, adapted for the vine industry. The main frame has been shortened to create a close coupled implement for ease of turning in the tight spaces common in vineyards. To cope with close row spacings, the ground-drive wheel and mount has been relocated inboard the minimized implement width. The hopper is equipped with an agitator and positive feed mechanism for those difficult to handle cover crops and native grass seeds

Model	Description	Hitch	Spacing	Wt	Price	Back Frt
The Vari-Slice Vineyard Special						
KVS-363	3' Overseeder, primary seedbox only	3-pt	3"	750	4,565.00	525.00
KVS-364	3' Overseeder, primary seedbox only	3-pt	4"	725	4,375.00	507.00
KVS-483	4' Overseeder w/ primary seedbox only	3-pt	3"	990	5,138.00	695.00
KVS-484	4' Overseeder w/ primary seedbox only	3-pt	4"	960	4,802.00	673.00
KVS-603	5' Overseeder w/ primary seedbox only	3-pt	3"	1140	7,211.00	798.00
KVS-604	5' Overseeder w/ primary seedbox only	3-pt	4"	1080	6,792.00	756.00
KVS-723	6' Overseeder w/ primary seedbox only	3-pt	3"	1860	8,643.00	1,302.00
KVS-724	6' Overseeder w/ primary seedbox only	3-pt	4"	1795	8,160.00	1,256.50

Landscaping Implements

Grade-N-Seed



Designed for landscapers, the Grade-N-Seed decreases labor and increases productivity. No need to switch implements: The Grade-N-Seed does it all! With your choice of a landscape rake, overseeder disk blades, or a scarifier, the Grade-N-Seed will fit any landscaping need.

Landscapers' Choice



The Landscapers' Choice uses ground drive metering for consistent seeding in prepared seedbeds. Seeding rates are easily changed with no tools. A baffle evenly distributes seed across the entire width and protects the seed from wind. Floating front & rear cultipackers ensure constant ground contact.

Seed-N-Pack



A simple, rugged, drop seeder & cultipacker that is excellent for use in prepared soil. Ground drive metering offers consistent seeding. Metering system is capable of handling a wide variety of seed sizes & types. Heavy duty cultipacker firms the seedbed and ensure optimal seed-to-soil contact.

Model	Description	Wt (lbs)	Price	Back Frt
GSM-1196	6' Grade-N-Seed Seeder with landscape rake	1150	7,587.00	805.00
GSM-4198	6' Grade-N-Seed Seeder with disc blades - 6'	1150	7,762.00	805.00
GSM-5198	6' Grade-N-Seed Seeder with 3rd row of "Dirt Worker" teeth.	1150	6,605.00	805.00
KLS-60	5' Landscaper's Choice Seeder with double row of Cultipackers	975	5,550.00	682.50
KLS-72	6' Landscaper's Choice Seeder with double row of Cultipackers	1150	6,385.00	805.00
KPS-72	Seed-N-Pak Seeder with single row of Cultipackers	740	4,540.00	518.00

Valu-Drill

Simple, Rugged Drill with Extra Value • 6' to 8' Working Width • Three-Point Hitch

Features:

- Uses the same proven metering system as our other seed drills
- Heavy 3 x 3 tube welded frame
- 14" Heavy duty openers with oversized bearings.
- Openers and Cultipackers are spring-loaded.
- Close-coupled so it's easier to lift.
- Simple & easy depth control
- Can be used in either No-till or tilled soil.



Model	Description	Rows	Spacing	Wt (lbs)	Price	Back Frt
KVD-48	Valu-Drill 4', 3-point	5	9"	525	\$6,490.00	367.50
KVD-72	Valu-Drill 6', 3-point	9	8"	1030	9,425.00	721.00
KVD-96	Valu-Drill 8', 3-point	12	8"	1375	12,225.00	962.50

Crimpers

6' to 8' Working Width • Three-Point Hitch Notched or Straight Coulters

Kasco's Krimpers are excellent soil stabilization tool, satisfying all "Mechanical Stabilization" requirements. All Kasco Krimpers feature tubular frame construction, built-in weight pans, and front & back parking stands.

Features:

- Excellent soil stabilization tools.
- Anchor straw mulch to the ground to reduce erosion.
- Heavy-Duty construction with tubular frames, weight pans, and parking stands



Part No.	Description	Wt (lbs)	Price	Back Frt
KKL-6S	Standard Duty Crimper - 6', 3 point, notched coulters	330	\$2,250.00	231.00
KKL-6HD	Heavy duty crimper - 6' 3 point, notched coulters	690	4,060.00	483.00
KKL-8HD	Heavy Duty crimper - 8", 3-point notched coulters	810	5,375.00	567.00

Options for All Kasco Drills

Model	Description	List Price
KED202	Agitator - 4' primary seedbox	485.00
KED203	Agitator - 6' primary seedbox	510.00
KED218	Agitator - 8' primary seedbox	625.00
KED212	Floatation tires for 4' Versa-Drill (pair)	--
KED204	Legume box, 4'	1,715.00
KED205	Legume box, 6'	2,685.00
KED217	Legume box, 8'	3,150.00
KED213	Native grass box with agitator, 6' x 9 outlets	4,185.00
KED214	Native grass box with agitator, 4' x 5 outlets	2,685.00
KED220	Native grass box with agitator, 8' x 12 outlets	5,545.00
KED222	Pull kit for 8' drills (includes transport wheels tongue and lights)	3,755.00
KED249	Pull kit for 6' drills	3,190.00
KED209	Scrapers for 4' cultipacker wheels	515.00
KED210	Scrapers for 6' cultipacker wheels	585.00
KED221	Scrapers for 8' cultipacker wheels	740.00
KED208	Seed drive wheels	705.00
KED215	Seed hopper dividers	45.00
KED207	Seed tube plugs (ea)	20.00

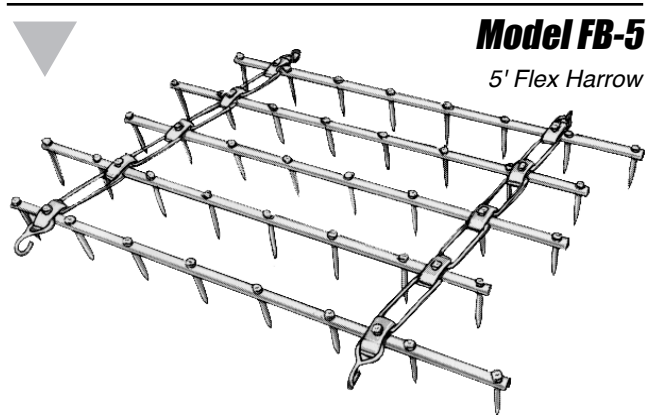
FB Series Flexible-Reversible Harrow

Flexible Harrow • 5 to 8' Working Width • Reversible for Tooth Angle

For trashy fields, pulverizing, cultivating, breaking up clods and destroying early weeds.

Features:

- Flexibility allows the individual tooth bars to pass over obstructions while the other bars stay on the ground.
- When the harrow is drawn from the front the teeth are vertical for cultivating and penetrating deep into the soil. When drawn from the other end, the tooth angle is preset for self-cleaning and smoothing.
- Hammer forged carbon steel teeth penetrate deeper and hold an edge longer.



Model	Description	No. of Teeth	Width	Weight	Price	B. Frt.
FB-5	Flexible-reversible harrow	40	5'	98 lbs.	\$381.00	\$28.42
FB-55-1/2	Flexible-reversible harrow	40	5' 6"	100 lbs.	387.00	29.00
FB-645	Flexible-reversible harrow	45	6'	106 lbs.	407.00	30.74
FB-6-1/2	Flexible-reversible harrow	45	6' 6"	111 lbs.	417.00	32.19
FB-7	Flexible-reversible harrow	50	7'	121 lbs.	441.00	35.09
FB-8	Flexible-reversible harrow	60	8'	138 lbs.	481.00	40.02

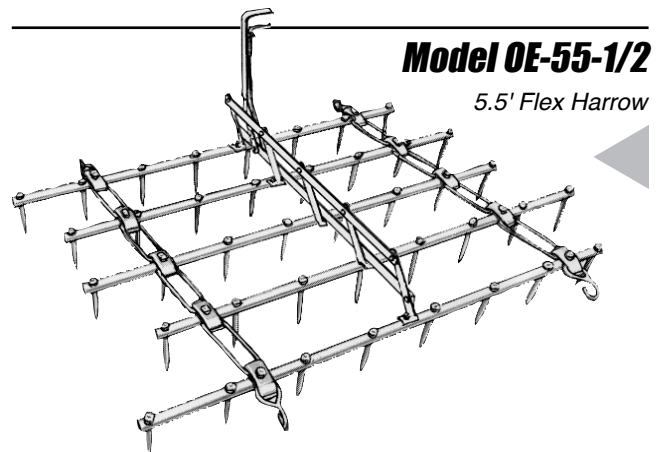
OE Series Flexible Lever-Adjust Harrow

Flexible Harrow • 5.5 to 7' Working Width • Lever Adjust Tooth Angle

The OE breaks up clods, crusts, pulverizes, and cultivates, destroying early weeds before they start to grow.

Features:

- Exclusive lever design permits setting the teeth to any angle, yet allows full flexibility.
- Tooth bars are high carbon steel for extra strength and resistance to wear. Each bar is held firmly in its position to assure every tooth is working the soil properly.
- Hammer forged carbon steel teeth penetrate deeper and hold an edge longer.



Model	Description	No. of Teeth	Width	Weight	Price	B. Frt.
OE-55-1/2	Flexible lever harrow	40	5-1/2'	118 lbs.	\$433.00	\$34.22
OE-645	Flexible lever harrow	45	6'	122 lbs.	459.00	35.38
OE-6-1/2	Flexible lever harrow	45	6-1/2'	129 lbs.	477.00	37.41
OE-7	Flexible lever harrow	50	7'	137 lbs.	499.00	39.73

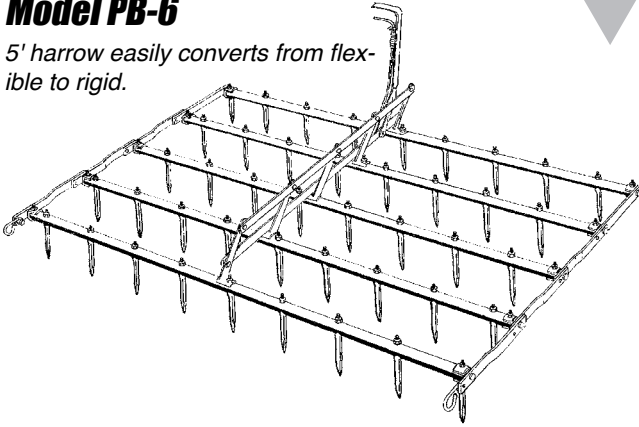


PB Series Flex/Rigid Lever-Adjust Harrow

Flexible Harrow • Available 5.5 to 7' Working Width • Lever Adjust Tooth Angle

Model PB-6

5' harrow easily converts from flexible to rigid.



Our new PB series is a flexible or rigid harrow: two for the price of one. The PB Series is specially designed to suit all farmers' needs. The flexible harrow is designed to let more trash through, while the rigid harrow is better suited for leveling.

Features:

- Quickly change from flexible to rigid: simply insert six bolts on the sides.
- Lever assembly adjusts tooth angle with harrow flexible or rigid, and folds flat for storage and transport.
- Hammer forged carbon steel teeth penetrate deeper and hold an edge longer.

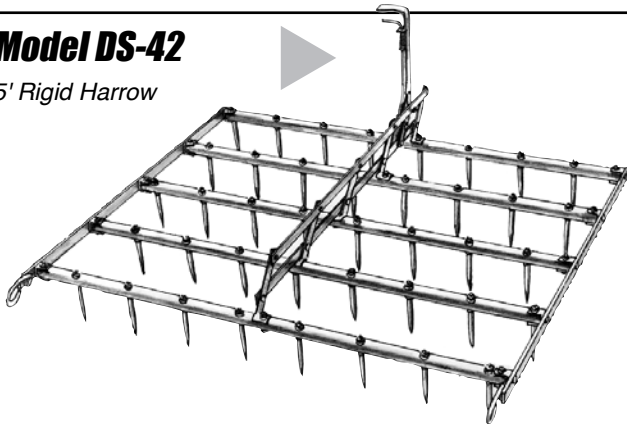
Model	Description	No. of Teeth	Width	Weight	Price	B. Frt.
PB-55A	Flexible/rigid lever harrow	40	5'	107 lbs.	\$403.00	31.03
PB-5-1/2	Flexible/rigid lever harrow	40	5.5'	114 lbs.	420.00	33.06
PB-6	Flexible/rigid lever harrow	43	6'	120 lbs.	446.00	34.80
PB-7	Flexible/rigid lever harrow	55	7'	138 lbs.	511.00	40.02

DS Series Rigid Lever-Adjust Harrow

Rigid Harrow • Available in 5 to 7' Working Widths • Lever Adjust Tooth Angle

Model DS-42

5' Rigid Harrow



The DS Harrow cultivates and levels the ground better because of its rigid design.

Features:

- Side rails and lever assembly are made of high carbon material for extra rigidity.
- Lever assembly tilts teeth to perfect angle for soil conditions and folds down for easy storage and transport.
- Draw hooks open toward ground to reduce unhooking.
- Teeth are hammer forged high carbon steel, which penetrates deeper and holds an edge longer than other types of teeth.

Model	Description	No. of Teeth	Width	Weight	Price	B. Frt.
DS-42	Rigid lever harrow	40	5'	109 lbs.	\$397.00	\$31.61
DS-43	Rigid lever harrow	43	5.5'	114 lbs.	416.00	33.06
DS-47	Rigid lever harrow	47	6'	120 lbs.	437.00	34.80
DS-51	Rigid lever harrow	51	6.5'	127 lbs.	460.00	36.83
DS-55	Rigid lever harrow	55	7'	137 lbs.	491.00	39.73

Heavy Duty Rigid Lever-Adjust Harrow

Rigid Harrow • Available in 5.5' to 7' Working Widths • Lever Adjust Tooth Angle

The R-series heavy-duty harrow is designed for high speed harrowing. Built extra strong— extra heavy tilting bars and braces, and extra distance between each tooth bar permits higher speeds.

Features:

- Lever assembly tilts the teeth to the angle best suited to soil and crop conditions.
- Draw hooks are designed with open ends toward ground to reduce unhooking.
- High carbon teeth are 5/8" square x 7-1/2" long with a 9/16 shank. Each reversible, replaceable tooth is locked on with a lockwasher and nut.



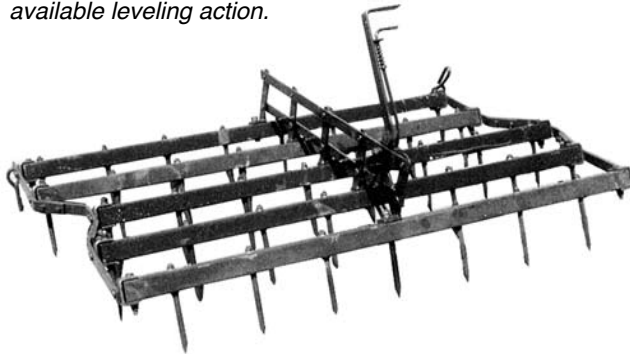
Model	Description	No. of Teeth	Width	Weight	Price	B. Frt.
R-550	Rigid heavy-duty lever harrow	40	5-1/2'	177 lbs.	\$623.00	\$51.33
R-600	Rigid heavy-duty lever harrow	40	6'	183 lbs.	649.00	53.07
R-700	Rigid heavy-duty lever harrow	50	7'	207 lbs.	699.00	60.03

SQB Square Bar Lever-Adjust Harrow

Rigid Harrow • Available in 5.5' to 7' Working Widths • Lever Adjust Tooth Angle

Model SQB-5

A 5' square bar harrow is designed to provide the best available leveling action.



The Pepin SQB features tooth bars made out of 2" square high carbon heavy wall tube for superior leveling action.

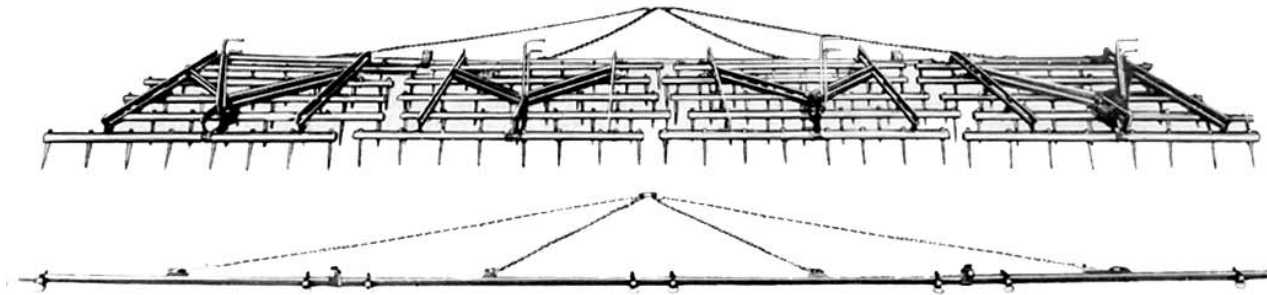
Features:

- Lever assembly adjusts teeth to the best angle.
- Draw hooks are set up for even pulling and better leveling (keeps the front bar down).
- Hammer-forged carbon steel teeth provide deep penetration, long life, and are easily replaceable.
- Unique offset configuration of the side rails allows use of multiple sections together, leaving no ridges between sections.

Model	Description	No. of Teeth	Width	Weight	Price	B. Frt.
SQB-5	Square bar lever harrow	39	5'	145 lbs.	\$437.00	\$42.05
SQB-6	Square bar lever harrow	45	6'	162 lbs.	477.00	46.98
SQB-7	Square bar lever harrow	55	7'	179 lbs.	525.00	51.91

Pepin High Speed Drawbars

For All Pepin Harrows • 10' to 30' lengths • 1.5" x 2.5" Carbon Steel Construction



Pictured: (at top) 21-4 CPT drawbar with Four R-55-1/2 harrow sections. (above) Chain type double hinge drawbar

These combination folding or trailing drawbars with chain type hitches are the most versatile units you can buy. Here's why you get more performance per dollar when you buy a Pepin high speed drawbar:



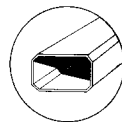
Combination hinge: Drawbar may be easily folded. Or, if you prefer, section may be trailed by removing one bolt to detach drawbar end.



Adjustable take-up: Durable coil change will never stretch or tangle. All chains may be adjusted for equal tension under all conditions.



Section Clevis: The clevis locks securely in any position of the drawbar. Fits all section widths.



Tubular bar: 1-1/2" x 2-1/2" bar is made from high carbon steel and features rounded corners.

Fits Sections	Harrow Description	Part Number	Length	No. of Sections	Weight	Price	Back Freight
PB-55A	For 5' closed or 5-1/2' open end harrow sections	**80-TC	10' 6"	2	35 lbs.	\$584.00	\$10.15
DS-42		**3-SC	15' 6"	3	57 lbs.	251.00	16.53
FB-55		163-C	15' 9"	3	57 lbs.	265.00	16.53
FB-55-1/2		214-C	21' 0"	4	85 lbs.	403.00	24.65
OE-55-1/2		265-C	26' 3"	5	116 lbs.	593.00	33.64
PB-5-1/2	For 5-1/2' closed or 6' open end harrow sections	**86-TC	11' 6"	2	38 lbs.	165.00	\$11.02
DS-43		173-C	17' 3"	3	62 lbs.	283.00	17.98
FB-645		234-C	23' 0"	4	92 lbs.	419.00	26.68
OE-645		285-C	28' 9"	5	125 lbs.	621.00	36.25
PB-6	For 6' closed or 6-1/2' open end harrow sections	**94-TC	12' 6"	2	40 lbs.	156.00	\$11.60
DS-47		183-C	18' 9"	3	68 lbs.	299.00	19.72
FB-6-1/2		254-C	25' 0"	4	99 lbs.	443.00	28.71
OE-6-1/2		315-C	31' 3"	5	137 lbs.	655.00	39.73
PB-6-1/2	For 6-1/2' closed or 7' open end harrow sections	**102-TC	13' 6"	2	45 lbs.	184.00	\$13.05
DS-51		193-C	20' 3"	3	75 lbs.	329.00	21.75
FB-7		274-C	27' 3"	4	107 lbs.	480.00	31.03
OE-7	For 7' closed end harrow sections	**110-TC	14' 6"	2	53 lbs.	216.00	\$15.37
*R-700		213-C	21' 9"	3	85 lbs.	373.00	24.65
PB-7		294-C	29' 0"	4	124 lbs.	551.00	35.96
DS-55							

*Recommend wheel type drawbars on 5 section **Straight Drawbar only

Parmiter Atlas Grass Harrow

4' to 10' Sections • Adjustable, Reversible Tine Angle • Three-Point Mount or Pull-Type

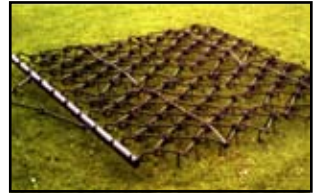


Three Point

Frame for 3-pt use

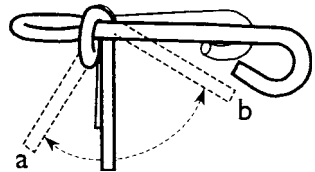
Pull Type

Drawbar flex harrow



Tines

Depending on direction pulled, tines can be passive or aggressive. Diameter: 7/16 in. Length: 3 in.



Uses:

- **Ring Maintenance:** for smooth, well prepared surface.
- **Pasture Renovation:** breaks up and levels heavy soil.
- **Root aeration:** provide better water infiltration & growth.

Features:

- **Customizable for your needs:** A complete range of different harrow sections are available from 4' to 10' widths. Drawbars are from 4' to 18'. Connectors couple sets together to increase working width to 24'
- **Move in the right direction:** Depending on the direction the harrow is pulled, tines can be adjusted to become passive or aggressive.

Examples of Harrow Combinations

	4' Model 4' Section 4' Drawbar		6' Model 6' Section 6' Drawbar
	8' Model 2 - 4' Sect. 4' Drawbar		10' Model 10' Section 10' Drawbar
	12' Model 3 - 4' Sect. 12' Drawbar		14' Model 10' & 4' Sect. 14' Drawbar

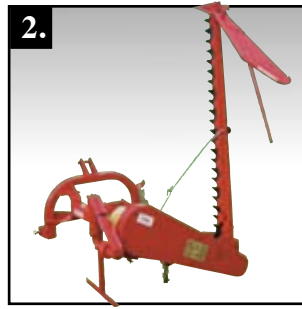
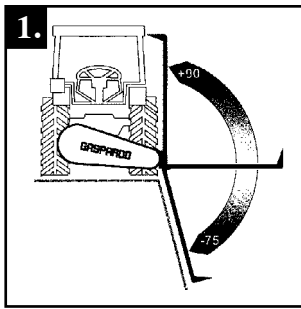
Model	Description	Weight	List Price	Back Frt
Atlas 7-1/6" flexible harrow				
6161-1002	4' section with 120 tines	119 lbs	\$310.00	28.56
6161-1003	6' section with 192 tines	189 lbs	478.00	45.36
6161-1004	10' section with 312 tines	312 lbs	765.00	74.88
Universal Drawbars				
6161-4020	4' drawbar with chain	18 lbs	125.00	4.32
6161-4021	6' drawbar with chain	24 lbs	146.00	5.76
6161-4022	8' drawbar with chain	31 lbs	160.00	7.44
6161-4023	10' drawbar with chain	46 lbs	204.00	11.04
6161-4024	12' drawbar with chain	59 lbs	204.00	14.16
6161-4025	14' drawbar with chain	84 lbs	302.00	20.16
6161-4036	16' drawbar with chain	97 lbs	406.00	23.28
6161-4026	18' drawbar with chain	121 lbs	416.00	29.04
Three-Point Lift Frames with Drawbars				
6160-5006	4' x 8' 3-point frame with drawbar; Category I & II	141 lbs	736.00	33.84
6160-5007	6' x 8' 3-point frame with drawbar; Category I & II	152 lbs	761.00	36.48
6160-5008	8' x 8' 3-point frame with drawbar; Category I & II	163 lbs	799.00	39.12
6160-5009	10' x 8' 3-point frame with drawbar; Category I & II	174 lbs	874.00	41.76
6160-5010	12' x 8' 3-point frame with drawbar; Category I & II	185 lbs	961.00	44.40
6160-5011	14' x 8' 3-point frame with drawbar; Category I & II	196 lbs	998.00	47.04

Gaspardo Sickle Bar Mowers

FB940's double-action sickle provides fast, clean cutting. For 40 to 80 hp Tractors.

The Gaspardo FB Series double sickle mower easily mounts to the 3-pt hitch of tractors from 40 to 80 hp. It is height adjustable via a simple mechanical linkage and may be angled to operate 75° above horizontal to vertical. Roller and ball bearing for blade connecting rods provide vibration free operation.

The FB is designed for use with Cat I or Cat II hitches and is available in 5' through 7' cutting widths. It is equipped with an automatic breakaway to prevent damage and provide safer operation. Designed for cutting speed of up 8 mph.

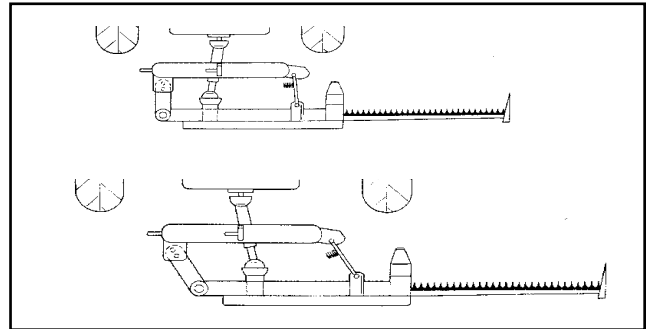


High Cutting Speed
 The Gaspardo FB's double sickle action enables it to work at speeds up to twice that of other mowers.

Offset Chassis
 Frame assembly of the FB940 will allow the mower to be moved to the edge of rear tractor tire, allowing mowing of areas which have not been driven over

Working Position
 The FB can be used in working positions from vertical to 75 degrees below horizontal. This makes the Gaspardo mower perfect for cutting hedges, vineyards, and alongside levees.

Easy Transport
 FB Mower is shown above in upright transport position. Machine locks in place for safety. Other safety features include breakaway device and belt guards.



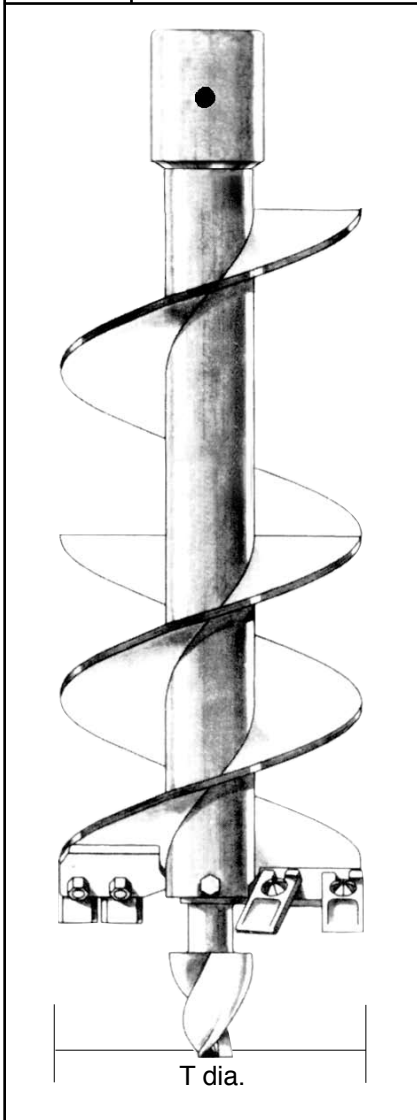
Model	Description	Weight	Price
FB940-4	4' Sickle Bar Mower; Comes with two cutting blades	422 lbs	3,326.00
FB940-5	5' Sickle-Bar Mower; Comes with two cutting blades	429 lbs	3,474.00
FB940-6	6' Sickle-Bar Mower; Comes with two cutting blades	448 lbs	3,521.00
FB940-7	7' Sickle-Bar mower; Comes with two cutting blades	468 lbs	3,669.00
Optional Equipment			
99551004	Cutter Bar hydraulic lift		479.00



PTO Aggressor

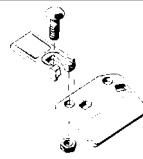
PTO Auger • Semi-Double Flight • 30", 42" and 48" Lengths • 6 to 24" diameter

Details	
Hubs	2" round cast alloy steel
Drive	3-point hitch, PTO
Head	Heat treated alloy steel shanks
Teeth	40/50 Dual angle
Lengths	30", 42", 48"
Flighting	Semi-Double flight 3/16" thick



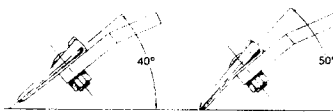
Part No.	Model	Description	Wt.	Price	B.Frt.
30" length Augers					
137140	6-AR-30-PTO	6" PTO Auger	26 lbs	\$287.00	\$5.72
137141	9-AR-30-PTO	9" PTO Auger	45 lbs	289.00	9.90
137142	12-AR-30-PTO	12" PTO Auger	50 lbs	294.00	11.00
137143	15-AR-30-PTO	15" PTO Auger	63 lbs	373.00	13.86
137144	18-AR-30-PTO	18" PTO Auger	76 lbs	423.00	16.72
137145	24-AR-30-PTO	24" PTO Auger	97 lbs	448.00	21.34
42" length Augers					
137151	6-AR-42-PTO	6" PTO Auger	26 lbs	297.00	5.72
137152	9-AR-42-PTO	9" PTO Auger	45 lbs	300.00	9.90
137153	12-AR-42-PTO	12" PTO Auger	50 lbs	351.00	11.00
137154	15-AR-42-PTO	15" PTO Auger	63 lbs	399.00	13.86
137155	18-AR-42-PTO	18" PTO Auger	76 lbs	445.00	16.72
137156	24-AR-42-PTO	24" PTO Auger	97 lbs	480.00	21.34
48" length Augers					
137180	6-AR-48-PTO	6" PTO Auger	28 lbs	307.00	\$6.16
137181	9-AR-48-PTO	9" PTO Auger	47 lbs	319.00	10.34
137182	12-AR-48-PTO	12" PTO Auger	53 lbs	356.00	11.66
137183	15-AR-48-PTO	15" PTO Auger	66 lbs	409.00	14.52
137184	18-AR-48-PTO	18" PTO Auger	79 lbs	460.00	17.38
137185	24-AR-48-PTO	24" PTO Auger	120 lbs	526.00	26.40

Drilling Head



Lug and Bolt Fasteners

Forged teeth secured with bolts and lugs to eliminate the loss of teeth.



Dual Angle Teeth

Dual angle teeth are reversible for either 40° or 50° attack angle.



New Tri-flow Pilot Bit:

- Triple fluted to greatly improve auger stability and bit wear.
- Pilot bit torque is taken up by a flattened keyway in the center hole to eliminate bolt hole distortion.
- Drive won't break - Guaranteed 1 year!

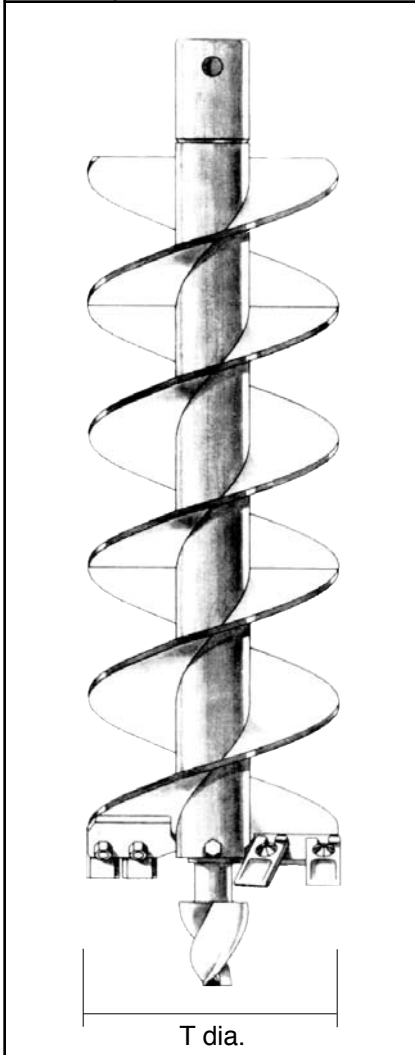
ORDER THREE OR MORE AUGERS AND SOLEX PAYS YOUR BACK FREIGHT



Aggressor Auger

Standard Duty Double-Flighted Auger • 46" and 48" Lengths • 6 to 36" diameter

Details	
Use	General Purpose Drilling
Drive	Skid steer, backhoe, mini excavator, tractor
Head	Alloy plate steel
Teeth	Dual Angle for either 40° or 50° attack angle lug and bolt fasteners
Length	46" and 48" models
Flight	Double
Hubs	2" round 2-9/16" round 2" hex

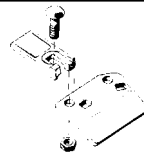


Description	Part No.			Wt (lbs)	List Price	Back Frt.
	2-9/16" round hub	2" round hub	2" hex hub			
6" auger	135534	135570	135546	60	\$313.00	13.20
9" auger	135535	135571	135547	91	330.00	20.02
12" auger	135536	135572	135548	98	493.00	21.56
15" auger	135537	135573	135549	119	626.00	26.18
18" auger	135538	135574	135550	149	713.00	32.78
24" auger	135539	135575	135551	203	831.00	44.66
30" auger	135540	135576	135552	275	1184.00	60.50
36" auger	135541	135577	135553	380	1421.00	83.60
18" tree auger	135542	135578	135554	140	615.00	30.80
24" tree auger	135543	135579	135555	162	754.00	35.64
30" tree auger	135544	135580	135556	236	1106.00	51.92
36" tree auger	135545	135581	135557	305	1395.00	67.10

Parts

Part no.	Description	Application	Weight	Price
134501	40/50 tooth	Ordinary digging	-	\$4.32
134802	40/50 tooth-HFF	Abrasive soil/impact	-	9.72
134519	40/50 tooth-carbide	Abrasive soil/impact	-	19.00
135088	Tri-flow bit	Dirt	5 lbs	28.00
135089	Tri-flow bit-HF	Abrasive soil/impact	5 lbs	69.00
135090	Tri flow bit-carbide	Fracturable rock	5 lbs	83.00
134668	24" extension	-	39 lbs	171.00

Drilling Head



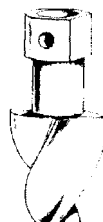
Lug and Bolt Fasteners

Forged teeth secured with bolts and lugs to eliminate the loss of teeth.



Dual Angle Teeth

Dual angle teeth are reversible for either 40° or 50° attack angle.



New Tri-flow Pilot Bit:

- Triple fluted to greatly improve auger stability and bit wear.
- Pilot bit torque is taken up by a flattened keyway in the center hole to eliminate bolt hole distortion.
- Drive won't break - Guaranteed 1 year!

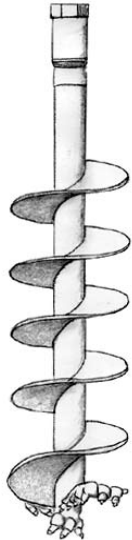
ORDER THREE OR MORE AUGERS AND SOLEX PAYS YOUR BACK FREIGHT



Rock Ripper Augers

For Drilling in solid Fracturable Rock and Heavy Compacted Soils.

Details



Hubs Available:
2" Round
2-9/16" Round
2" hex

Suggested Auger speed:
15-20 rpm

Teeth:
C-3LR-94 teeth
C-10 holder

Pilot:
RRP 2-3/8 API

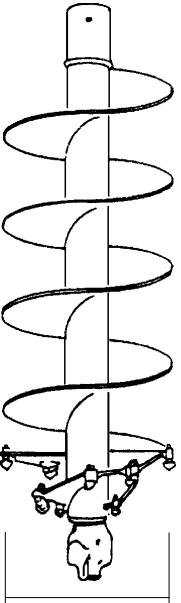
Pengo Rock Ripper Augers are designed to maximize drilling for all types of drilling equipment. Suited for solid fracturable rock and compacted soils

Part No.	Model	Auger Dia	Description	Wt. (lbs)	List Price	Back Frt.
135505	6-LRR-42	6"	rock auger	64	\$1,261.00	\$14.08
133651	9-LRR-42	9"	rock auger	88	1,508.00	19.35
133652	10-LRR-42	10"	rock auger	100	1,528.00	22.00
133653	12-LRR-42	12"	rock auger	111	1,759.00	24.42
133654	16-LRR-42	16"	rock auger	138	1,859.00	30.36
133655	18-LRR-42	18"	rock auger	155	2,109.00	34.10
133656	20-LRR-42	20"	rock auger	167	2,143.00	36.74
133657	24-LRR-42	24"	rock auger	206	2,474.00	45.32
133658	30-LRR-42	30"	rock auger	232	2,844.00	51.04
133520	RRP2-3/8 API	-	pilot bit	9	483.00	1.91
850032	C-3IR-94	-	teeth	0.5	7.88	.11
134039	C-10	-	tooth holder	1.1	10.52	0.24

Industrial Rock Augers

Engineered for use in solid, non-fracturable and highly abrasive soil conditions.

Illustration



Hubs:
2" Round
2-9/16" Round
2" hex

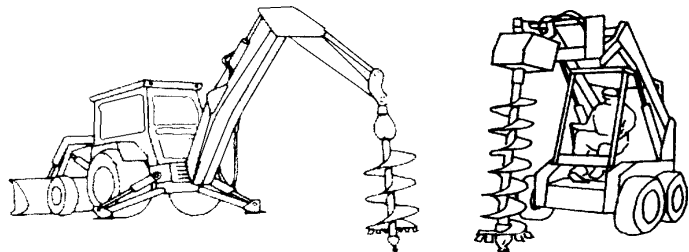
Suggested auger speed:
15-20 rpm.
Max down pressure req.

Teeth:
CB-10 teeth
H-10 holder
P-10 roll pin

Pilot:
375-TCH-171

T dia.

Part No.	Model	Auger Dia	No. of Teeth	T Dia	Wt. (lbs)	List Price	Back Frt.
553443	6-GPSRA-42	6"	4	7"	50	\$920.00	\$11.00
553444	8-GPSRA-42	8"	4	9"	56	1042.00	12.32
553445	9-GPSRA-42	9"	4	10"	65	1110.00	14.30
553446	10-GPSRA-42	10"	5	11"	69	1125.00	15.28
553447	12-GPSRA-42	12"	6	13"	80	1347.00	17.60
553449	16-GPSRA-42	16"	8	17"	110	1529.00	24.20
553450	18-GPSRA-42	18"	9	19"	125	1795.00	27.50
553452	24-GPSRA-42	24"	12	25"	150	-	33.00



ORDER THREE OR MORE AUGERS AND SOLEX PAYS YOUR BACK FREIGHT



Quick-Change Boring Head System

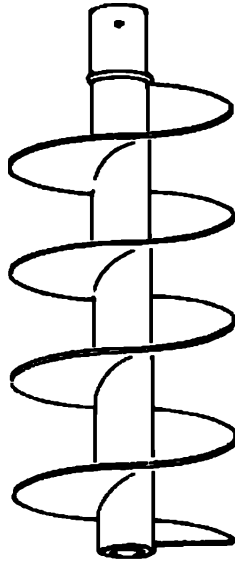
Auger Bodies

Standard hub size:

2-9/16" round

Available on request:

2" hex



Flight bodies are sized to be 42" in overall length with the pin-on heads attached.

6 - 12" have a 1-5/8" hex connection to the pin-on head, while the 16 - 24" have a 2" connection.

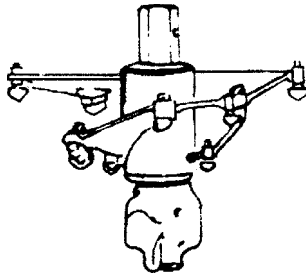
These light industrial augers allow the operator to change the standard Pengo boring head to a rock boring head in a matter of seconds. Greater versatility is now easily available should soils change and digging conditions become more difficult. Dirt, rock, and industrial boring heads are available.

Part no.	Model	Dia.	Wt.	Price	B.Frt.
Auger Bodies					
553710	FGP-6	6"	40 lbs	\$544.00	\$8.80
553711	FGP-8	8"	41 lbs	551.00	9.02
553712	FGP-9	9"	49 lbs	653.00	10.78
553713	FGP-10	10"	52 lbs	660.00	11.44
553714	FGP-12	12"	61 lbs	673.00	7.56
553716	FGP-16	16"	88 lbs	691.00	10.90
553718	FGP-18	18"	102 lbs	708.00	12.64
553719	FGP-24	24"	120 lbs	758.00	4.46

Pin-on Heads

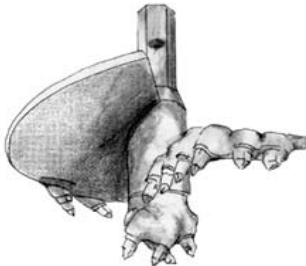
Industrial Rock Head

Spirals slowly into solid or fracturable rock. Teeth & pilot specific to this head.



Rock Ripper Head

Pin-on boring heads are inter-changeable for various drilling conditions



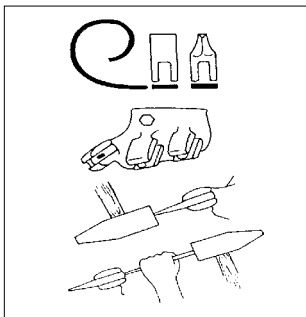
Part no.	Model	Dia.	Wt.	Price	B.Frt.
Pin on Industrial Rock Heads					
553690	POLRH-6	6"	14 lbs	\$764.00	\$1.73
553691	POLRH-8	8"	19 lbs	664.00	2.35
553692	POLRH-9	9"	20 lbs	686.00	2.48
553693	POLRH-10	10"	21 lbs	734.00	2.60
553694	POLRH-12	12"	23 lbs	917.00	2.85
553696	POLRH-16	16"	28 lbs	931.00	3.47
553697	POLRH-18	18"	29 lbs	1016.00	3.59
553699	POLRH-24	24"	36 lbs	1375.00	4.46
Pin On Rock Ripper Heads					
133659	9-POLRR	9"	37 lbs	1,032.00	4.58
133660	10-POLRR	10"	39 lbs	1,129.00	4.83
133661	12-POLRR	12"	46 lbs	1,258.00	5.69
133662	16-POLRR	16"	66 lbs	1,441.00	8.17
133663	18-POLRR	18"	76 lbs	1,407.00	9.41
133664	20-POLRR	20"	88 lbs	1,428.00	10.90
133664	24-POLRR	24"	115 lbs	1,710.00	14.24
133666	30-POLRR	30"	163 lbs	2,021.00	20.19
133520	RRP 2-3/8 API		9 lbs	443.00	1.11
134037	C-3LR-94		5 lbs	8.70	-
134039	C-10		1.1 lbs	11.70	-



35 Series Replacement Teeth

Pengo teeth are forged of alloy steel for strength and heat treated for abrasion resistance.

Model	Illustration	Part No.	Description	Use	Installation in head	Installation P-35 pilot bit	Wt. (lbs)	List Price
35*		133835	dirt tooth	ordinary digging	all pockets	all pockets	.4	\$2.25
35-C		140007	Carbide tooth	abrasive/frozen soil	all pockets	allpockets	.4	17.00
35-HF		140008	hardfaced 1-side	abrasive soil/impact	all pockets	all pockets HF-up	.4	8.00
35-HFF		140009	hardfaced 2-sides	abrasive soil/impact	all pockets	all pockets	.4	11.00
5T30*		140029	chisel point	loose rock, compacted soil	inside pockets only, rib up	no	18.0	3.00
5T30-C		140012	chisel point w/ carbide	compacted rock abra- sive soil, no impact	inside pockets	no	.4	12.00
5T30-HF		140014	chisel point hardfaced	rock, high impact	only, rib up		.4	9.00
1336		140016	carbide insert tooth	abrasive frozen soil	all pockets	all pockets	.4	17.00
CB-10		140055	carbide teeth	hard rock	no	no	.8	13.00
RB-36		140021	carbide teeth	abrasive frozen soil	all pockets	yes	.8	17.00
Installation accessories								
Ribbed Rubr lock		137601	per inch	holds teeth	yes	yes	.2	0.14
SH-85		137737	soft steel hammer	Used for installing teeth. See instructions			4.3	38.00
1225		137750	drift punch	Used for removing teeth. See instructions			.8	24.00



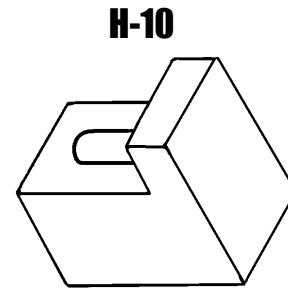
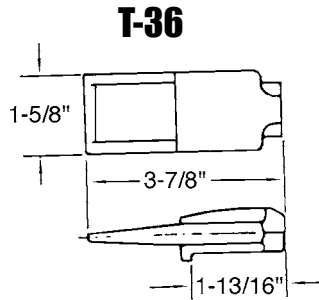
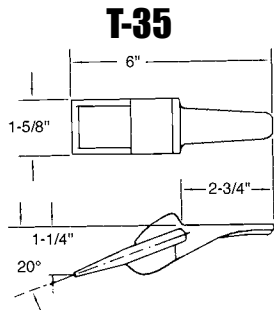
Installation Instructions

- Cut Ribd Rubr-Lok as long as the tooth is wide at the tangs.
 - Insert evenly in the holder.
Note: water may be used as a lubricant. NEVER use grease or oil.
 - Drive tooth until seated in the holder using soft steel hammer. Compression of Rubr-Lok holds tooth in pocket. For tungsten carbide teeth cushion carbides with softwood board before driving.
 - Remove worn teeth with drift punch. Replace the Ribd Rubr-Lok only if it is damaged.
- CAUTION:** Always wear eye protection when install or removing teeth.



HOLDERS For The Repair of Leading Edges

Cast alloy steel holders used with 35 series teeth can upgrade or repair any brand of auger



Part No.	Model	Description	Weight	Price
171221	T-35	Weld-on tooth holder for Pengo 35 series teeth, angled	1.0 lbs.	\$23.00
171231	T-36	Weld-on tooth holder for Pengo 35 series teeth, straight	0.8 lbs.	20.00
157025	H-10	Holder for Pengo CB-10 core tooth	0.3 lbs.	10.00
137610	P-10	Pin for H-10 holder	0.2 lbs.	0.80

Drivelugs

Weld-on and Screw-on type Drive Lugs for use with Pengo Screw Bits and Pilot bits

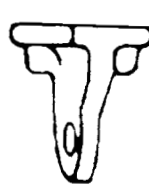
140-CST



140-CS



140-S, 140-M



141MT



MF-MM

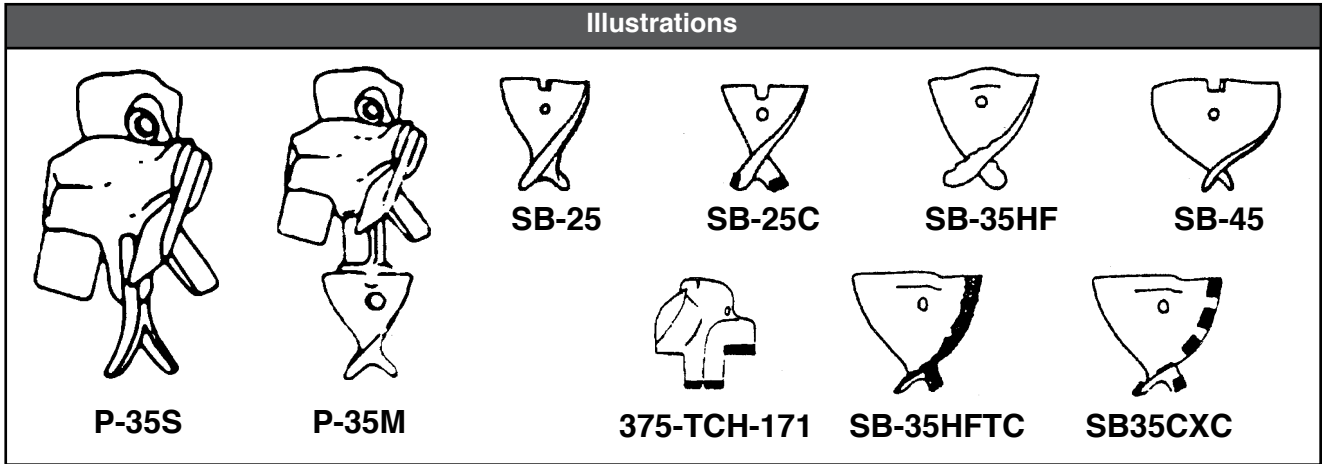


Part No.	Model	Description	Application	Wt. (lbs.)	List Price
151930	140-CS	Weld-on Drivelug	SB-25, SB-30 screw bits	.8	24.00
151940	140-S	Weld-on Drivelug	SB-25, SB-30 screw bits	.5	18.00
151956	141-R	Weld-on Drivelug short	SB-35, SB-45 screw bits & P-35 pilot	1.0	16.00
151960	141-MT	1 1/4" - 7 NC threaded Drivelug	SB-35, SB-45 screw bits & P-35 pilot	1.3	190.00
151980	SHX-140-S	Drivelug with 13/16" Hex	SB-25 & SB-35 screw bits	0.5	43.00
151990	MHX140-S	Drivelug with 1 1/8" hex	SB-25 & SB-30 pilot bits	1.0	50.00
152010	MHX-141-L	Drivelug with 1 1/8" hex	375-TCH-171 pilot bit	2.3	65.99
152020	LHX-141-M	Drivelug with 1 5/8" hex	375-TCH-171 pilot bit	3.5	66.00
151020	MF-MM	Pilot extension	lengthens P-35, SB-35, SB-45	2.2	71.00
151195	1-1/4" - 7NC	Sleeve for 141-MT	-	0.5	13.69



Pilot Bits GP/CS

Cast Alloy Steel Pilot Bits Are Available For A Variety Of Digging Applications



Part No.	Model	Description	Application	Wt. (lbs)	List Price
131740	SB-25	2 1/2" dia. screw bit, bolt & nut	Dirt for 2" dia. augers and for P-35M pilot	0.8	18.00
132135	SB-25C	Carbide tipped screw bit	Fracturable rock, abrasive soil, no impact	0.8	39.00
132758	SB-25CXC	Carbide pilot bit	Compacted rock abrasion, no impact	0.8	76.00
132266	SB-25HF	Hardfaced screw bit	Abrasive soil impact	0.8	32.00
132590	SB-25HFTC	Hardfaced with tungsten carbide	Compacted rock abrasion, no impact	0.8	142.00
131766	SB-30	Hardfaced screw bit	Ordinary digging	1.0	30.00
131764	SB-30C	Hardfaced with tungsten carbide	Fracturable rock, abrasive soil, no impact	1.0	60.00
131765	SB-30CXC	Hardfaced screw bit	Compacted rock abrasion, no impact	1.0	90.00
132359	SB-30HF	Hardfaced screw bit	Abrasive soil impact	0.1	51.00
133250	SB-30HFTC	Hardfaced with tungsten carbide	Compacted Rock Abrasion, no impact	1.0	187.00
133402	SB-35	3 1/2" dia. screw bit, bolt, & nut	Dirt used for 3" & 6"-48" dia. augers	2.0	28.00
133403	SB-35C	Carbide tipped screw bit	Fracturable rock, abrasive soil, no impact	1.0	58.00
133404	SB-35CXC	Hardfaced with tungsten carbide	Compacted rock abrasion, no impact	2.0	65.00
133405	SB-35HF	Hardfaced screw bit	Abrasive soil impact	2.0	70.00
133406	SB-35HFTC	Hardfaced with tungsten carbide	Compacted rock abrasion, no impact	2.0	215.00
133407	SB-45	4 1/2" dia. screw bit	Dirt for 4" dia. augers	3.0	57.00
133408	SB-45C	Carbide tipped screw bit	Fracturable rock abrasive soil, no impact	3.0	81.00
133409	SB-45CXC	Hardfaced with tungsten carbide	Compacted rock abrasion, no impact	3.0	121.00
133410	SB-45HF	Hardfaced screw bit	Abrasive soil impact	3.0	84.00
133411	SB-45HFTC	Hardfaced with tungsten carbide	Compacted rock abrasion, no impact	3.0	280.00
151660	5/16" x 1 1/2"	Pilot bit bolt/nut		0.1	1.00

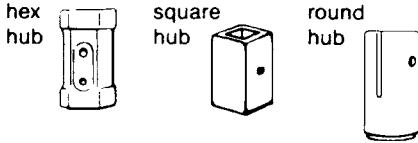


Hubs & Extension Shafts

Square, Round and Hex Hubs and Extension Shafts for Pengo Drillmax Augers

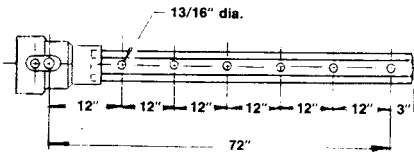
Drillmax Hubs

Hex, square & round hubs



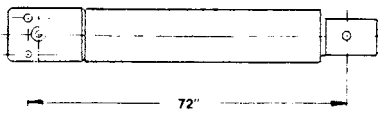
Hex Bar Extensions

2" bar with 13/16" keyholes



Round Extensions

2-9/16" round extension shafts.



Part No	Model	Description	Wt.	Price	B. Frt
Hubs for Drillmax Augers					
154121	H-200	hub for 2" hex drive	8.0	\$113.00	\$.99
153985	S-150	hub for 1 1/2" sq. drive	6.5	95.004	.80
153990	S-200	hub for 2" sq. drive	19.0	255.00	2.35
154077	R-200U	hub for 2" O.D. tube	5.3	80.95	.65
154115	R-2506	2 9/16" round hub	6.5	100.005	.80
2" Hex bar with Hub & Holes					
557142	HE2.0-12	2" hex M/F; 12" length	20	\$237.00	\$2.48
557143	HE2.0-24	2" hex M/F; 24" length	32	316.00	3.96
557144	HE2.0-36	2" hex M/F; 36" length	44	374.00	5.45
557145	HE2.0-48	2" hex M/F; 48" length	56	435.00	6.93
557146	HE2.0-60	2" hex M/F; 60" length	68	508.00	8.42
557147	HE2.0-72	2" hex M/F; 72" length	80	600.00	9.91
2-9/16" Round with Hub & Holes					
134203	RE2.5-12	2 9/16" round M/F; 12" length	18	307.00	2.23
134204	RE2.5-24	2 9/16" round M/F; 24" length	25	315.00	3.09
134205	RE2.5-36	2 9/16" round M/F; 36" length	33	364.00	4.08
134206	RE2.5-48	2 9/16" round M/F; 48" length	37	380.00	4.58
134207	RE2.5-60	2 9/16" round M/F; 60" length	47	505.00	5.82
134208	RE2.5-72	2 9/16" round M/F; 72" length	55	511.00	6.81



Replacement Tooth Cross-Reference

Replacement Teeth and Adapters For Loader Backhoes & Skid Steers

Part #	Pengo	Type	TUF-GO	Hensley	H & L	CASE	Caterpillar	J. Deere	Esco	GETCO	Clark-Han	Clark
162304	230 (type II)	forged		230-HXL	230SP	D51750	135-8232	T-54317		230	102161109	562659
162340	230-T	forged			230T	D80119		T-72584		23THD		
162295	230-TW	forged			230TT	D156045	135-8237	1P8623TP		23TW		
162300	230-ST	forged	230PP	S230	230ST	D79100	135-8238			230ST		
162308	240	forged	240	24SPHX	240SP	D39090				240		562663
162345	240-TP	forged										
162313	250	forged	250/2510	25HXL	252SP	D55468		T-72583		250	UE-11701-B	562667
162395	250-T	forged	250PP	T25	252ST sim	D59702 sim		T-72581		250THD		
162320	270	forged	270/2710	27HXL	272SP	R51388				270		562671
162865	2150	flex	210PN	12/22P	21FP							
162800	2350	flex	230PN	23P A,B,C,D	23FP	D13486	135-8236	T40910		23-P	102161110	562660
162805	2450	flex	240PN	24PB	24FP	D39448	772833			24-P		
162810	2550	flex	250PN	25/26PB	25-26FP	D51570		U-45574		25-P	UE11701-C	
162815	2750	flex	270PN	P300B	20-27FP	R29117				27-P		562672
162459	0	fab	10		"0"SP							
162459	00	fab	100		"00"SP							
162470	3/4F	fab	175		1-3/4SP	K3871				8075		
162475	2AF	fab	20A	2AHX	2AH	T4166		U-10577-U	P-2	2A	102900010	1550017
162450	3CH	fab	30C	3CHXS	3CH	D27748		T-72547	P-3	3CH		889237
162455	3CHC	fab		T3C	3CP							
250070	30C-W	fab			3CW							
162465	23F	fab	230	23HXL or S	23SP	D39093		U-13929-U		23R		562659
250180	230W	fab		23HXF	23W					23W		
162460	21F	fab	210	21HX	21SP	D43416						
162305	230	cast	230LR	230HX	230CSP					230		
162341	230T	cast	230PP	T23 & L						23T		
162297	230TW	cast		23WT & L								
162309	240	cast		24HX								
162314	250	cast	250/2510	25HX						24HD or 24R		
162315	250ST	cast	250PP	S252						250 or 25HD		
162321	270	cast	270/2710	271HX						250THD		
250460	0	forged	10-W0		0-836-0							
250465	00	forged	100-W0		2898-W-00							
	N/A				2740-AFW-23	D138157	135-8235					
161923	2740Z-230	double			2740-ZW-23	D48212	135-8234			48212G		
161921	230-10	double	231WO	274023HX		D48035		T-36126		230010		
161920	12S1A-8-230	bottom	230WO	D83423HX	D834-23	D41659		U-13928-U		83423		
161975	5276-230	double		2740MW23HX	2740-MW-23							
161939	5277-230	double		2740W23HX	2740-W-23							
161926	5282-230	double	231WO	2740AW23HX	2740-AW-23			U-42750		230075		
161964	5284-230	double		274023HX	unknown							
161938	5834-230	bottom	230WO	D83423HX	D-834-23	B91340				83423		947592
165382	3847-230	flush			L-4107-??-23					2300FL		
161948	5925-230	flush			L-4107-??-23							
161967	5280-240	double		274024HX	2740-KW-24					240010		
161934	5301-240	bottom	240WO	2428a24HX	3000-W-24					2400B		
165380	3845-250	bottom			3000-W-25							
165381	3846-250	bottom			3000-W-25							
161983	5052-250	double			2740-W-25							
161965	5278-250	double	251WO	2740AW25HX	2740-AW-25	L43255				2500125		
161963	5280-250	double	251WO	2740-25-HX	2740-FW-25			U-45349		2500150		
161973	5303-250	bottom		3000W-252HX	3000-W-25							
161976	5281-270	double			2740-FW-27					2700150		
161968	5304-270	bottom		3000W-27HX	3000-W-27							
161960	5274-3CH	31WO		2740-JW-3C								
161937	5834-3CH	bottom	30WO	D83403CHX	D-834-3CXC	D-834-3C	D263268		U-14436-U	T-2039-P3	3843C	
161947	5925-3CH	flush			L-3579-W-3C							
161942	5835Y-2AF	bottom	20WO	D835-2AHX	D-835-2A				T-2078-P3	8352A		
165875	3163FW-2AF	flush			L-2520-BW-2A							
166020	3171FW-2AF	flush		L2520W2AHX	L-2520-W-2A							
166421	3288FW-2AF											
165880	3163FW-230	flush		5500W-23HX	500-W-23							
161385	3079FW-240	flush			5501W-24							



Replacement Tooth Cross-Reference

Replacement Teeth and Adapters For Loaders & Excavators

Part No.	Pengo	Type	Hensley	H & L	Caterpillar	Esco	GETCO
210009	220 tooth, standard	cast	X220				220
210015	290 tooth, standard	cast	X290				290
210021	310 tooth, standard	cast	X310				310
210027	330 tooth, standard	cast	X330				330
210033	400 tooth, standard	cast	X400				400
167085	E-18TL tooth	cast	18LPHX	CF-18LP			18-TL
167070	E-25TF tooth	cast	25THX	CCF-25T			
167075	E-30R tooth, short	cast	30RHX				
167065	E-30S tooth, sharp	cast	30SHX	CF-30S		30S	30-S
167015	E-35R tooth, short	cast	35RHX				
167005	E-35S tooth, sharp	cast	35SHX	CF-35S		35S	35-S
167045	E-40R tooth, short rock	cast	40RHX	CF-40R			
167000	E-40S tooth, sharp	cast	40SHX	CF-40S		40S	40-S
167040	E-45R tooth, short rock	cast	45RHX	CF-45R			
167035	E-45S tooth, sharp	cast	45SHX	CF-45S		45S	45-S
167060	E-45T tooth, tilt-front	cast	45THX				
167025	E-50R tooth, rock	cast	50RHX	CF-50R			
167020	E-50S tooth, sharp	cast	50SHX	CF-50S			
167010	E-55LP tooth, long	cast	55LPHX	CF-55LP			
167047	E-55R tooth, rock	cast	55RHX				
162250	29887P tooth	cast	29887HX				
162935	T-25101P Pin		P160				
165316	U-16087P adapter, scrp	cast					
165390	U-16864 adapter, scrp	cast	U16864HX				
133915	1U-3202P tooth, long	J200	1U-3202HX	HL-1U-3202	1U-3202		1U3202
162015	6Y-3222VP tooth, std	J225					
162280	1U-3252P tooth, long	J250	1U-3252HX	HL-1U-3252	1U-3252	E1U3252	1U3252
162000	9N-4252P tooth, hvy lg	J250					
162001	9J-4259P tooth, pene	J250					
162440	1U-3302P tooth, long	J300	1U-3302HX	HL-1U-3302	1U-3302	E1U3302A	1U3302
162003	9N-4302P tooth, hvy, lg	J300					
162004	9N-4303P tooth, abrasion	J300					
133125	9J-4309P tooth, pene	J300	9J-4309HX				9J4309
162430	1U-3352 tooth, long	J350	1U-3352HX	HL-1U-3352	1U-3352	E1U3352A	1U3352
162005	9N-4352P tooth, hvy, lg	J350					
162239	4T-2353P tooth, abrasion	J350	4T-2353HX	HL-4T-2353	4T-2353	E9J4353	4T2353
162006	9N-4353P tooth, abrasion	J350					
162007	9J-4359P tooth, pene	J300					
162008	7T-3402P tooth, long	J400					
162009	8E-4402P tooth, hvy lg	J400					
162400	9W-8452P tooth, long	J450	9W-8452HX	HL-9W-8452	9W8452		1U3452
162010	9N-4452P tooth, hvy lg	J450					
162011	9N-4453P tooth, abrasion	J450					
162255	9W-8459P tooth, pene	J450	9J-4459THX		9J-4459	E9J4459	9J4459
134691	HD-8452 special	J450					
162425	9W-8552P tooth, long	J550	9W-8552HX	HL-9W-8552	9W-8552		1U3552
162012	6Y-2553P tooth, abrasion	J550					
162013	9N-4552P tooth, hvy lg	J550					
162260	9W-8559P tooth, pene	J550	9W-8559HX		9W-8559	E9J4559	9J4559
162550	9W-7112P pin	J200	9W7712P	HL-9W-7112	9W-7112		
133918	4T-0001P washer	J200	4T0001P	HL-4T-0001	4T-0001		4T0001
162772	9J-2258P pin	J250	9J2258P	HL-9J-2258	9J-2258	E9J2258	9J2258
162771	9J-2308P pin	J300	9J2308P	HL-9J-2308	9J-2308	E9J2308	9J2308
162770	3G9609P washer	J300	3G69609W	HL-3G-9609	3G-9609	E3G9609	3G9609
162765	9W-2678P pin	J350	9W2678P	HL-9W-2678	9W-9678	E9W2678	
162751	6Y-2527P pin	J350	6Y2527P	HL-6Y-2527L	6Y-2527		

Loader & Excavator Tooth Cross-reference Continued on Next Page...



Replacement Tooth Cross-Reference
Replacement Teeth and Adapters For Loaders & Excavators

Table with 8 columns: Part No., Pengo, Type, Hensley, H & L, Caterpillar, Esco, GETCO. It lists various replacement teeth and adapters with their corresponding part numbers and descriptions.



EM5000 Post Hole Digger

Economical Post Hole Digger For Cat I & II Three Point Linkages

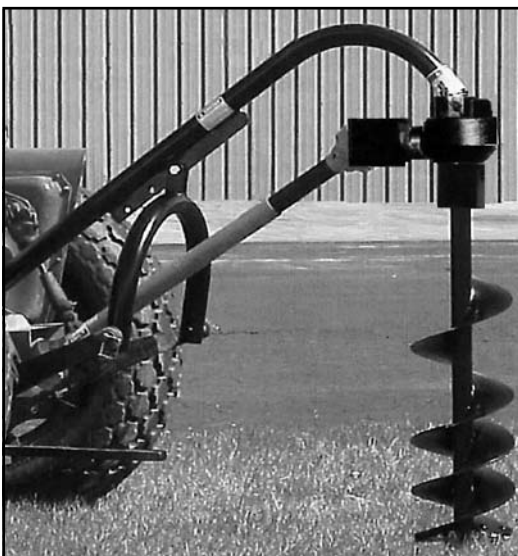


- Boom & U-frame - 2-7/8" diameter pipe.
- Fits 3-point Category I linkage. Category II requires bushings.
- Durable commercial gear box with tapered roller bearings and precision gears.
- Shielded drive shaft with automotive type u-joint and quick disconnect
- Limited Warranty: 1 year on unit, 5 years on gearbox.
- All post hole diggers are shipped standard with safety shields mounted to gearboxes.
- Options include: positioning handle, adjustable auger exten-

Model	Description	Wt.	Price	B. Frt.
EM5000	Economy three-point post hole digger	134 lbs.	\$700.00	\$40.20

FM5500 Post Hole Digger

Heavy Duty Post Hole Digger For Cat I & II Three Point Linkages



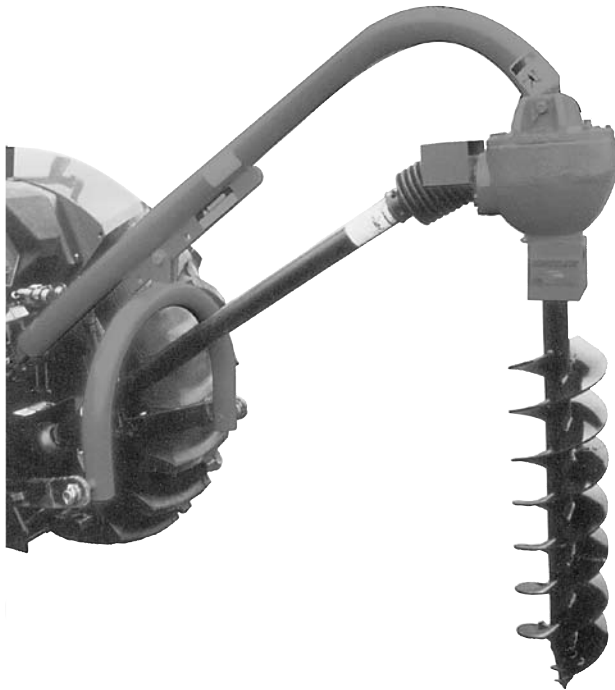
- Heavy duty commercial gearbox with 3:1 gear ratio that develops 729 ft. lbs. of torque at 180 rpm.
- Shielded drive shaft with commercial grade cross journals and quick disconnect lock ring design for tractor connection.
- Fits 3-point Category I linkage. Category II requires bushings.
- Boom and U-Frame assemblies are engineered with 2-7/8" diameter structural pipe.
- All post hole diggers are shipped complete with safety shields mounted to gearboxes.
- Limited warranty: 1 year on unit, 5 years on gearbox.

Model	Description	Wt.	Price	B. Frt.
FM5500	Medium-Duty three-point post hole digger	155 lbs.	736.00	46.50



HM7000 Post Hole Digger

New Extra Heavy Duty Post Hole Digger For Cat I & II Three Point Linkages



- Heavy Duty 3-1/2" diameter boom for the toughest jobs.
- U-Frame 2-7/8" diameter heavy wall pipe.
- Augers constructed of heavy duty 1/4" thick sectional flighting. Replaceable serrated cutting edges and spiral drill tip.
- Fits 3-point Category I linkage, Category II requires bushing.
- Oversized heavy duty commercial gearbox with tapered roller bearings and precision gears.
- Limited warranty; 1 year on digger, 2 years on gearbox.
- Options: 12" and 18" auger extensions and positioning handles.

HM7000 Post Hole Digger Pricing:

Model	Description	Wt.	Price	B. Frt.
HM7000	Heavy-Duty three-point post hole digger	240 lbs.	\$1,541.00	\$72.00

Model 101 Post Hole Digger

Lawn and Garden Post Hole Digger • For Cat 0 and I Tractors, 25 horsepower or Less

Model 101 Post Hole Digger

Category 0 and I mount



Now you can get a professional quality post-hole digger that fits tractors with 25HP or less! Introducing the Shaver Model 101. Farmers, ranchers, nurserymen, and fencing professionals recognize Shaver Manufacturing as one of the world's leading manufacturers of post-hole diggers.

Shaver offers semi-double flight augers with diameters of 4, 6, and 9 inches in a standard length of 42 inches. Nine-inch and 14-bolt extensions are available. Auger points are made of austempered ductile iron for longer wear. Cutting teeth are made from forged steel and are bolted on for easy replacement

Features:

- Fits Category 0 and Category I three point hitches, designed to fit tractors 25 hp or less
- 3" OD boom with reinforcing rib.
- 1/2" thick steel yoke hitch.
- Shielded PTO to inhibit entry of moisture and dirt. Heavy duty joint cross kits with needle bearings.
- 3:1 ratio gearbox with three year warranty
- Shear pin protection

Part No.	Description	Weight	Price	Back ft
101	Post Hole Digger (Less Auger)	195 lbs	\$827.00	\$52.65
Augers				
SA104AC	4" Semi Double Flight Auger	21 lbs	167.00	5.67
SA106AC	6" Semi Double Flight Auger	27 lbs	228.00	7.29
SA109AC	9" Semi Double Flight Auger	36 lbs	266.00	9.72
Options				
SDP-100	Down Pressure Kit	47 lbs	636.00	12.69

301, 601 & 901 Post Hole Diggers

Heavy Duty Diggers • Category I & II Three-Point • Heavy Duty Gearbox



Model 901 Digger

Heavy Duty PTO drive post-hole digger

	Model 301	Model 601	Model 901
Boom	reinforced 3" tubing	reinforced 3.5" tubing	reinforced 3.5" tubing
Yoke	3" tubing Cat I & II	3" OD tubing Cat I & II	3" OD tubing Cat I & II
Gearbox	2.92:1 ratio 3 yr warranty	3.18:1 ratio 5 yr warranty	4:1 ratio 5 yr warranty
Bearings	tapered roller	tapered roller	tapered roller
Input shaft	1.25" diameter	1.25" diameter	1.25" diameter
Output shaft	2" diameter solid	2" diameter solid	2" diameter solid
Shear Pin	3/8" grade 2	3/8" grade 5	two 1/2" grade 5

Shaver post-hole diggers give you the power to dig holes quickly and efficiently. Affordably priced, Shaver diggers provide years of effective and reliable digging for farmers, ranchers, nurserymen, and fencing professionals.

Shaver offers three models of PTO driven post-hole diggers. Each model fits Category I and II, three-point hitches.

Features:

- Full-enclosure pto shaft shields at output and input points of gearbox provide protection from dirt and moisture
- Totally enclosed gearbox
- Straddle mounted, tapered roller bearings for extra strength.
- Optional storage stand available

Part No.	Description	Weight	Price	B. Frt.
301H	Post Hole Digger (Less Auger)	240 lbs.	\$929.00	\$64.80
601H	Post Hole Digger (Less Auger)	274 lbs	1229.00	73.98
901	Post Hole Digger (Less Auger)	327 lbs.	1789.00	88.29
Augers & Extensions				
SA304AC	4" Semi Double Flight Auger	21 lbs.	167.00	\$5.67
SA306AC	6" Semi Double Flight Auger	27 lbs.	249.00	7.29
SA309AC	9" Semi Double Flight Auger	36 lbs.	266.00	9.72
SA312AC	12" Semi Double Flight Auger	45 lbs.	318.00	12.15
SA306ACD	6" Double Flight Auger	40 lbs.	419.00	\$10.80
SA309ACD	9" Double Flight Auger	52 lbs.	451.00	14.04
SA312ACD	12" Double Flight Auger	68 lbs	440.00	18.39
SA616ACD	16" Double Flight Auger	77 lbs.	402.00	20.79
SA618ACD	18" Double Flight Auger	88 lbs.	502.00	23.76
SA624ACD	24" Double Flight Auger	114 lbs.	576.00	30.78
SA608EX	9" Auger Extension	12 lbs.	161.00	\$3.24
SA614EX	14" Auger Extension	17 lbs.	178.00	3.78
Options & Accessories				
SDP100	Hyd. Down Pressure Kit (301)	47 lbs	636.00	\$12.69
SD600	Display Stand	50 lbs.	Net 283.00	13.50

510 & 1020 Hydraulic Posthole Diggers

510: For 5-10 gpm Hydraulic systems • 1020: For 10-20 gpm Hydraulic Systems

Affordably priced, Shaver diggers provide years of effective reliable digging for farmers, ranchers, nurserymen, and fencing professionals.

- Enclosed gearbox with limited 5-year warranty.
- Choice of mounting options: 3 point mount, Universal bucket mount, Bolt on bucket mount, Side Mount
- 2" output shaft.
- Replaceable cutting teeth and points.
- Easy assembly and mounting.
- Nationally recognized Eaton motor with a limited one year warranty.
- 510 for 5-10 gpm hydraulic systems, 1500-3000 psi.
- 1020 for 10-20 gpm hydraulic systems, 1500-3000 psi.



Mounting Options:



Three Point Boom Mount



Universal Bucket Mount



Bolt-on Bucket Mount



Tractor Side Mount

Part No.	Description	Weight	Price	B. Ft.
510	Post Hole Digger (Less Auger, Mtg. Pkg, & Hoses)	116 lbs.	\$1738.00	\$31.32
1020	Post Hole Digger (Less Auger, Mtg. Pkg, & Hoses)	118 lbs.	1907.00	31.86
Mounting Packages				
510B	Three Point Boom Mount	100 lbs.	\$509.00	\$27.00
510S	Bolt on Bucket Mount	10 lbs.	78.00	2.70
SDP100	Down Pressure kit	47 lbs.	636.00	12.69

Shaver Post Drivers

HD-8: 30,000 lbs. Impact • HD-10: 71,500 lbs. Impact • HD-12: 100,000 lbs. Impact

Model HD12H

Shown with rear
3-point Mount



	HD-8	HD-10	HD12H
Impact at full stroke	30,000 lbs	71,500 lbs	100,000 lbs
Hammer spring wt	360 lbs.	725 lbs.	1,100 lbs
Operating Height	Adjustable 53 - 126"	Adjustable 53 - 128"	Adjustable 53 - 128"
Max post diameter	7-1/8 inches	8-3/4 inches	10-7/8 inches
Max post length	10 feet	10 feet	10 feet
No. block studs	4	8	8
No. Nyrim blocks	4	8	8
Hydraulic Req.	3-4 GPM 1500 PSI	12 GPM 1500 PSI	15 GPM 2000 PSI
Angle And Tilt	15° front-back 15° side-side	15° front-back 15° side-side	20° front-back 25° side-side
Hitch	Cat I & II	Cat II & III	Cat II & III

Fast, powerful, and reliable Shaver post drivers are the world's finest. Built far heavier than the job requires, with only six moving parts, they work year after year without breakdown. And Shaver post drivers can be mounted on tractors or skid-steer loaders.

We developed the first powered driver over 50 years ago. Today, we make high quality post drivers for farmers and professionals worldwide. As thousand of satisfied users can attest: With Shaver, you buy with confidence.

- Fast driving - up to 40 strokes/minute drive a 4-5" post in 10-15 seconds.
- Powerful- Drives steel, wood, or even a railroad tie
- Easy driving - Drives posts straight and true on almost any terrain. It will not split or "mushroom" top of posts.
- No digging, no pointing, no tamping, and no setting.

Accessories:



Post Holder

Allows the operator to center the post in driver. For safe use of the driver, always use the post holder to handle post.



Hyd. Base Plate

Standard on HD-12H, replaces standard base plate. Tilts to drive posts straight on hillsides.



Stabilizer Pad

Carries most of the impact, for greater stability. Ideal for use with skid steer loaders or small tractors.



Hyd. Positioner

Optional sliding hydraulic positioner allows you to position the driver with pinpoint accuracy.

Shaver Post Drivers

HD-8: 30,000 lbs. Impact • HD-10: 71,500 lbs. Impact • HD-12: 100,000 lbs. Impact

HD-8 Post Driver Pricing

Ordering Info: Choose driver & add price of front mounting kit. For tractor applications see pg I-72 through I-77

Part No.	Description	Weight	Price	B. Frt.
HD-8	Basic Post Driver with manual base plate	410 lbs	\$2,279.00	\$110.78
HD-8H	Basic Post Driver with hydraulic base plate	458 lbs	3,558.00	123.66
Mounting Packages				
HD-8FMPC	Front Mounting Package Complete	70 lbs	498.00	18.90
HD-8RMPC	Rear Mounting Package Complete	70 lbs	837.00	18.90
HD-8SSMPC-S	Skid steer mounting package complete - steel tank	130 lbs	1,225.00	35.10
HD-8SSMPC-P	Skid steer mounting package complete - plastic tank	130 lbs	1,866.00	35.10
MB-01-A	3-PT. Mount (Less Hardware)	107 lbs	637.00	28.89
Optional Accessories				
SB-25	Super Slide Assembly	867 lbs	6,358.00	234.09
HD-8HCK	Hydraulic Conversion Kit	156 lbs	2,930.00	42.12
CB-1	Concrete Breaker	19 lbs	153.00	5.13
SM-0011-PH	Steel Post Holder	10 lbs	79.00	2.70
	Pallet charge - from factory		11.00	

HD-10 Post Driver Pricing

Ordering Info: Choose driver & add price of front mounting kit. For tractor applications see pg I-78 through I-79

Part No.	Description	Weight	Price	B. Frt.
HD-10	Basic Post Driver	639 lbs.	\$3,627.00	\$179.28
HD-10H	Basic Driver With Hydraulic Base Plate	661 lbs.	6,776.00	185.22
Mounting Packages				
HD-10SSMPC-S	Skid Steer Mounting Package - steel tank	100 lbs.	1,340.00	27.00
HD-10SSMPC-P	Skid steer mounting package - plastic tank	100 lbs.	1,950.00	27.00
HD-10FMPC	Front Mounting Package - Complete	90 lbs.	543.00	24.30
HD-10RMPC-II	Rear Mounting Package - Category II	90 lbs.	866.00	24.30
HD-10RMPC-III	Rear Mounting Package - Category III	100 lbs.	856.00	27.00
MB-1201A	3 Point mount (less hardware)	135 lbs.	686.00	36.45
Optional Accessories				
SB-26	Positioner Assembly (For HD-10H Only)	897 lbs.	6,358.00	224.37
SB-16	Mini positioner	716 lbs	6128.00	193.32
SB-06	Mini positioner (expandable)	741 lbs	6,229.00	200.07

HD-12 Post Driver Pricing

Ordering Info: Choose driver & add price of front mounting kit. For tractor applications see pg I-80

Part No.	Description	Weight	Price	B. Frt.
HD-12H	Basic Post Driver with hydraulic base plate	929 lbs.	\$6,507.00	\$250.83
Mounting Packages				
HD12-SSMPC-S	Skid steer mounting package complete - steel tank	127 lbs.	1,340.00	34.29
HD12-SSMPC-P	Skid steer mounting package complete - plastic tank	147 lbs.	1,866.00	39.69
HD12-RMPC-II	Rear Mounting Package Category II	100 lbs.	909.00	27.00
HD12-RMPC-III	Rear Mounting Package Category III	100 lbs.	895.00	27.00
MB-1201A	3 Point mount (less hardware)	135 lbs.	686.00	36.45

StumpBuster Tree Stump Cutter

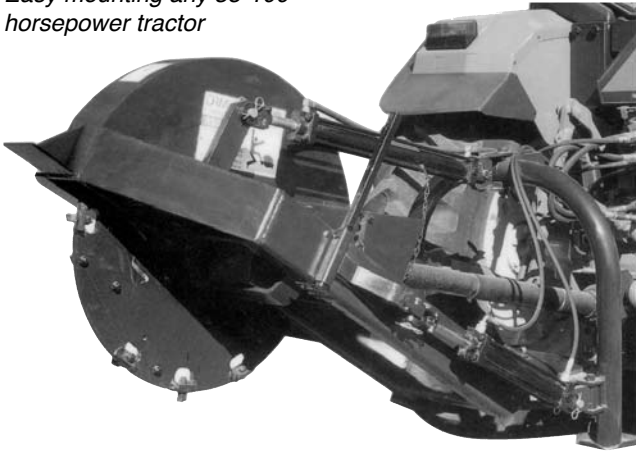
Stumpbuster Carves a New Niche for Affordable, PTO powered stump Grinding.

Shaver Stumpbuster

The Stumpbuster reduces stumps up to 24" in diameter to mulch in just minutes

Three Point Mount, PTO Powered

Easy mounting any 35-100 horsepower tractor



Introducing StumpBuster tree stump cutter from Shaver Manufacturing. It carves out a new niche for powerful PTO-powered stump grinding. With a StumpBuster and your tractor, you can quickly slice through tough stumps. The StumpBuster can reduce up to 24" stumps to mulch in just minutes. It can grind stumps all the way down to 12" below the ground surface.

StumpBuster is designed for 35-100 hp tractors. PTO power spins the cutting wheel at 900 rpm and with 450 foot pounds of hub torque. It's 55° of swing means it handles stumps up to 45" in one pass.

- 3-pt mounted, for tractors 35-100 hp.
- Series 90 PTO with slip clutch.
- Lift & swing cylinders provide easy positioning. Easily controlled from tractor cab.
- 25 carbide steel teeth.
- 34" dia. x 3/4" thick cutting wheel.
- Operates at 895 rpm and produces 450 ft. lbs. of torque
- Grinds stumps 24" above ground to 12" below ground.
- 100 hp gearbox utilizes oversized shaft and heavy duty roller bearings in oil bath.

Model	Description	Wt.	Price	B. Ft.
SC-25	Mini stumpbuster - 3 pt	832 lbs	\$7,956.00	224.64
SC-25H	Mini Stumpbuster - skid/loader mount (not for mount on Bobcat Loaders)	832 lbs	10,034.00	224.64
SC-50	Stumpbuster with hoses less couplers	1144 lbs.	9,099.00	\$308.88
SC-50-H	Stumpbuster skid steer w/ hoses less couplers	1205 lbs.	11,232.00	325.35

DSH Husky Scraper

Extra Heavy-Duty Construction • 8 to 14 Foot Working Width • 3/4" Pull Hitch

Specifications	
Width:	8 to 14 ft. working widths
Box Size:	24" tall; 32" deep - top; 40" deep - bottom
Box Build:	1/4" back plate; 3/8" end plates 2x2" angle iron bracing 3x3x3/8" support under blade
Pull Tube:	5.5" heavy wall pipe with 3/4" pull hitch
Wheels:	5 bolt ag. hub w/ 15 x 6 rims less tires
Clearance:	Approx. 15" clearance in dump
Dump:	3.5 to 4" x 8" hyd. cylinder (not incl.)



Model	Description	Wt.	Price	B. Frt.
DSH8	Husky scraper 8' width, requires 3" x 8" cylinder	1177 lbs.	\$2,987.00	\$235.40
DSH10	Husky scraper 10' width, requires 3" x 8" cylinder	1381 lbs.	3,196.00	276.20
DSH12	Husky scraper 12' width, requires 3" x 8" cylinder	1530 lbs.	3,409.00	306.00
	Optional tilt kit		554.00	

Model DS Utility Scraper

Heavy-Duty Construction • 8 to 12 Foot Working Width • 3/4" Pull Hitch

Specifications	
Width:	8 to 12 ft. working widths
Box Size:	24" tall; 26" deep - top; 34" deep - bottom
Box Build:	3/16" back plate; 5/16" end plates 2x2" angle iron bracing 3x3x3/8" support under blade
Pull Tube:	5.5" heavy wall pipe with 3/4" pull hitch
Wheels:	5 bolt ag. hub w/ 15 x 6 rims less tires
Clearance:	Approx. 13" clearance in dump
Dump:	3.5 to 4" x 8" hyd. cylinder (not incl.)

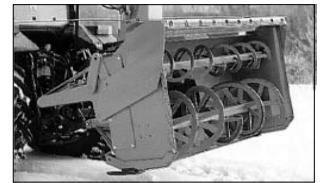


Model	Description	Wt.	Price	B.Frt.
DS8	Utility scraper 8' width, requires 3" x 8" cylinder	1014 lbs.	\$2,541.00	202.80
DS10	Utility scraper 10' width, requires 3" x 8" cylinder	1164 lbs.	2,686.00	232.80
DS12	Utility scraper 12' width, requires 3" x 8" cylinder	1281 lbs.	2,834.00	256.20
	Optional tilt kit		554.00	

X-Pro Snowblowers

Forward and Reverse Operation • 86" to 92" Tillage Width • For 50-100 horsepower

The X-Pro is a two way snowblower operates forward and reverse into snow up to 10 inches. It is effective, fast and easy to use on large surfaces or in tight spots.



Advantages of the X-Pro blade:

- Gets snow that used to be left behind.
- Choice of steel, carbon steel or TIVAR blade
- Completely clears the front of the blower for operating in the conventional backward direction.

Forward and Reverse Operation

Quickly and easily plow in both forward and reverse. ▲

Model	Description	Wt.	Price
X-Pro Snowblowers. Please note there is no chute in base price of snowblower			
PXPL-86	86" X-Pro snowblower, For 50 - 75 hp	1822 lbs	15,630.00
PXPL-86-92	86" X-Pro snowblower; For 50 to 75 hp	1860 lbs	15,705.00
PXPL-92	92" X-Pro snowblower, For 75 to 100 hp	2059 lbs	18,249.00
PXPL-92-98	92" X-Pro snowblower, For 75 - 100 hp	2099 lbs	18,424.00
Color Options (Pronovost Red Standard) - Available only on advance order before manufacturing			
PX-02	New Holland Blue (incl. prime coat)	--	184.00
PX-03	Landini Blue (incl. prime coat)	--	184.00
PX-04	Kubota Orange	--	184.00
PX-05	Ford Industrial Yellow (Incl. prime coat)	--	184.00
PX-06	Indstriel Yellow (Incl. prime coat)	--	184.00
PX-07	John Deere green	--	184.00
Chutes and Deflecotrs - Select Components Required And Add To Base Price.			
CST-7486	Reg. chute		754.00
PSIG-7486	Semi-industrial chute w/ greasable hinges & rear access panel		1,031.00
T-74104	Chute deflector adjustment: Manual telescopic tube		71.00
25TR08	Chute deflector adjustment: Hydraulic cylinder		133.00
TSB-74104	Hose support for deflector cylinder		60.00
MLH-250	Hyd. chute rotation motor for (for pump with less than 12 GPM)		511.00
MLH-315	Hyd. chute rotation motor for(for pump with more than 12 GPM)		523.00

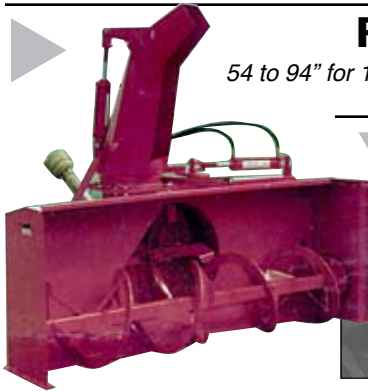
Options

Description	PXPL-86		PXPL-86-92		PXPL-92		PXPL-92-98	
	Part No.	Price	Part No.	Price	Part no.	Price	Part no.	Price
Industrial Options								
Blade, carbon steel, .5x4"	SIT1-86	385.00	SIT1-8692	445.00	SIT1-92	445.00	SIT1-98	451.00
Blade, carbon steel, .5x6"	T1-86	476.00	T1-8692	506.00	T1-92	506.00	T1-98	552.00
Tivar blade w/ mounting kit	TV-86	Call	TV-8692	Call	TV-92	Call	TV-98	Call
HD skids w/ carbon sole	PHD-7486	193.00	PHD-7486	193.00	PHD-92104	253.00	PHD-92104	253.00
Heavy Duty PTO	PA-08	255.00	PA-08	253.00	PA-09	704.00	PA-09	704.00
1000/540 red.100-150 hp	PR-81054	3287.00	PR-81054	3287.00	-	-	-	-
Blade Options								
Carbon steel blade & shoes	PXPLHD-86	595.00	PXPLHD-92	608.00	PXPLHD-98	634.00	PXPLHD-98	634.00
Tivar blade & skid shoe	PXPLTV-86	Call	PXPLTV-92	Call	PXPLTV-92	Call	PXPLTV-98	Call

F.O.B Factory

Puma Snowblowers

54 to 94" Working width • Category I & II three-point • For 16-75 horsepower



Puma Snowblower

54 to 94" for 16-75 hp. Puma-94 shown.

Impeller

Lighter and Stronger



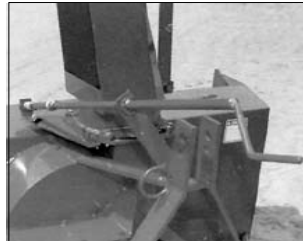
The Puma snowblower is designed to make easy work of snow removal.

Puma augers are shear bolt protected and have greasable ball bearings. This balanced auger design allows you to get up close to buildings and get a clean job - without leaving snow behind. The impeller features 4 curved blades, which blow a large amount of snow with minimal horsepower requirements.

Options include manual or hydraulic chute rotation kits and a hydraulic deflector control.

Model	54	64	74	84	94
Cutting width	54"	64"	74"	84"	94"
Tractor hp	16-25	18-25	25-40	40-75	50-75
Cutting height	24.5"	24.5"	29"	34"	34"
Depth of drum	6"	6"	8"	11"	11"
Impeller dia.	20"	20"	22"	26"	26"
Impeller blades	4	4	4	4	4
Impeller shaft	1"	1"	1.6"	1.6"	1.6"
Impeller rpm	540	540	540	540	540
Auger dia.	16"	16"	16"	19"	19"
Chain size	50	50	60	60	60
Hitch cat	I	I	I & II	I & II	I & II
P.T.O driveline	2	2	5	5	6
Weight (lbs.)	362	382	680	920	945

Optional Equipment



Manual Rotation

Manual chute rotation kit allows you to adjust chute angle with turn of a handcrank.



Hydraulic Rotation

Hydraulic rotation kit for remote adjustment of chute. Cylinders not included

Model	Description	Wt.	Price
Puma Snowblowers Regular chute with deflector included; Order rotation kit below:			
Puma-48	48" Non-commercial snowblower	366 lbs	2,934.00
Puma-54	54" Non-commercial snowblower	374 lbs.	3,002.00
Puma-64	64" Non-commercial snowblower	413 lbs.	3,145.00
Puma-74	74" Non-commercial snowblower	680 lbs.	4,301.00
Puma-84	84" Non-commercial snowblower	955 lbs.	5,489.00
Puma-94	94" Non-commercial snowblower	980 lbs.	5,843.00
Options			
Chute rotation kits			
MD-4872	Manual chute rotation kit, fits 48-72		148.00
MD-74	Manual chute rotation kit, fits 74		183.00
MD-8494	Manual chute rotation kit, fits 74-89		193.00
HRD-4872	Hydraulic chute rotation kit, fits 48-72		303.00
HRD-74	Hydraulic chute rotation kit, fits Puma-74		390.00
HRD-8494	Hydraulic chute rotation kit, fits Puma-84, Puma-94		421.00
25TR04	Hydraulic cylinder for rotation kit and deflector control; fits 54-64		130.00
25TR08	Hydraulic cylinder for rotation kit and deflector control; fits 74-94		133.00

F.O.B. Factory

Revised 7-1-12 (Based on Mfg. Price List 5-1-12)

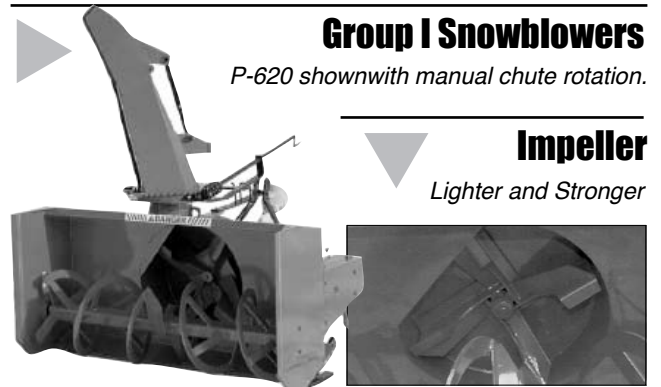
Prices subject to change without notice

Code AT-2

Group I Snowblowers

54 to 72" Working width • Category I three-point • For 18-50 horsepower

Model	P-540	P-620	P-680	P-720
Cutting width	54"	62"	68"	72"
Cutting height	28"	28"	30"	30"
Tractor hp	18-25	20-30	25-40	25-50
Depth of drum	9"	9"	9"	9"
Impeller dia.	22"	22"	24"	24"
Impeller blades	4	4	4	4
Impeller shaft	1.25"	1.25"	1.6"	1.6"
Impeller rpm	540	540	540	540
Impeller Height	14"	14"	15"	15"
No. of Augers	1	1	1	1
Auger dia.	16"	16"	16"	19"
Chain size	50	50	60	60
Hitch cat	1	1	1	1
Shear Bolts	2	2	2	2
P.T.O driveline	No. 2	No. 2	No. 4	No. 5
Weight (lbs.)	550	575	670	695



Pronovost Group I Snowblowers have all the features you expect in a snowblower. Heavy duty skid shoes which provide quick and easy height adjustment - without tools. The 4 blade impeller is specially engineered to handle all snow conditions. Chutes and drums are lined with our UHMW system to reduce friction and prevent freezing and leakage. Rotary drum models available.

Model	Description	Wt.	Price
Group I Snowblowers; Regular chute with deflector included, order rotation kit below:			
P-540	54" Commercial snowblower	550 lbs	\$4,825.00
P-620	62" Commercial snowblower	575 lbs	4,884.00
P-680	68" Commercial snowblower	670 lbs	5,759.00
P-720	72" Commercial snowblower	695 lbs	5,815.00
P-720TRC	72" Commercial snowblower w/ rotating drum, side deflector	800 lbs	7,397.00
Chute Options, Deflectors, and Rotation Kits			
CST-4872	Reg. chute		423.00
PSIG-5472	Semi-Industrial Chute		720.00
T-4864	Manual telescopic tube for chute deflector		72.00
25TR04	Hydraulic Cylinder for telescopic chute deflector		131.00
TSB-4864	Hose support for deflective cylinder		44.18
MR-4864	Manual chute rotation kit.		186.00
SP-4864	Hydraulic chute rotation kit		101.00
MLH-125	Motor for kit (for pump less than 120GPM)		455.00
MLH-250	Motor for kit (for pump more than 10 GPM)		523.00
Heavy Duty Options			
SIT1-54	Semi-industrial scraper blade, 3/8" x 2-1/2" not sharpened: fits 540		245.00
SIT1-62	Semi-industrial scraper blade, 3/8" x 2-1/2" not sharpened: fits 620		253.00
SIT1-68	Semi-industrial scraper blade, 3/8" x 2-1/2" not sharpened: fits 680		259.00
SIT1-72	Semi-industrial scraper blade, 3/8" x 2-1/2" not sharpened: fits 720(TRC)		272.00
PHD-4872	Industrial Skid shoes with CHT-360 steel sole		122.00
CL-4872	Set of 2 Lateral Blades (3/8" x 2-1/2" x 39-1/2")		150.00
	Installation charge		59.00

F.O.B Factory

Group II Snowblowers

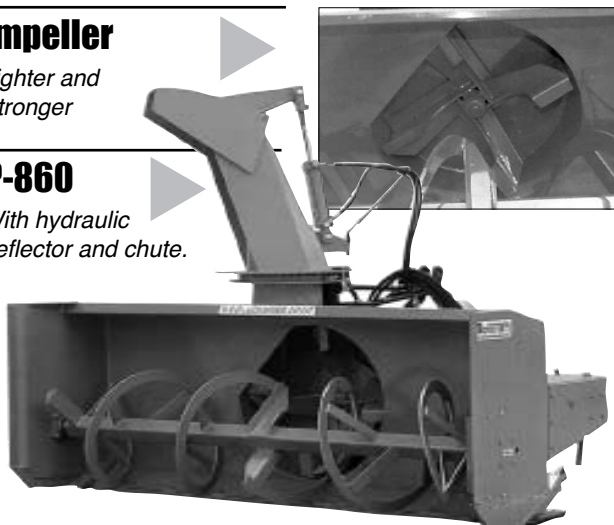
75 to 92" Working width • Category I & II three-point • For 35-100 horsepower

Impeller

Lighter and Stronger

P-860

With hydraulic deflector and chute.



Pronovost Group II commercial snowblowers, with models for 35-100 HP tractors are designed to make snow removal easy.

These snowblowers are loaded with features to ensure the best performance. Pronovost skid shoes, available with standard steel soles or optional CHT-360 carbon steel soles, provide easy height adjustment without the use of tools. Chutes and rotary drums are lined with the Pronovost UHMW system for easy rotation and prevention of freezing. Precision designed chutes produce a concentrated flow and minimum drift near blown areas. Spring loaded chain tensioner and polyurethane paint provide low-maintenance durability.

Available options include rotary drum kits with side deflectors (standard on TRC model), remote chute rotation and heavy duty scraper and skid kits.

Model	740	800	860	862	920
Cutting width	75"	80"	86"	86"	92"
Tractor hp	35-65	40-65	50-75	50-75	75-100
Cutting height	33.5"	33.5"	35.5"	41.5"	39"
Depth of drum	12"	12"	12"	12"	12"
Impeller dia.	26"	26"	28"	28"	30"
Impeller blades	4	4	4	4	5
Impeller shaft	1.6"	1.6"	1.6"	1.6"	2"
Impeller rpm	540	540	540	540	540
No. of augers	1	1	1	2	1
Auger dia.	23"	23"	23"	13", 23"	23"
Chain size	80	80	80	80	80
Hitch cat	I & II	I & II	I & II	I & II	II
P.T.O driveline	no. 5	no. 5	no. 6	no. 6	no. 8
Weight (lbs.)	1190	1235	1294	1475	1650

Optional Equipment



Chute Options

Manual and Hydraulic rotation chute rotation kits are available.



Rotating Drum

Removable rotating drum on UHMW slide system with hydraulic motor

Model	Description	Wt.	Price
P-740	74" commercial snowblower	1160 lbs.	\$6,823.00
P-800	80" commercial snowblower	1202 lbs.	6,886.00
P-800TRC	80" commercial snowblower w/ rotating drum, side deflector	1372 lbs.	8,648.00
P-860	86" commercial snowblower	1259 lbs.	7,257.00
P-860TRC	86" commercial snowblower w/ rotating drum, side deflector	1432 lbs.	9,017.00
P-862	86" commercial snowblower	1440 lbs.	9,388.00
P-862TRC	86" commercial snowblower w/ rotating drum, side deflector	1609 lbs.	11,149.00
P-920	92" commercial snowblower	1650 lbs.	9,890.00
P-920TRC	92" commercial snowblower w/ rotating drum, side deflector	1800 lbs.	11,674.00
P-920-98	92" commercial snowblower	1725 lbs.	10,209.00
P-920TRC-98	92" commercial snowblower w/ rotating drum, side deflector	1875 lbs.	11,969.00

F.O.B. Factory

Revised 7-1-12 (Based on Mfg. Price List 5-1-12)

Prices subject to change without notice

Code AT-2

Group II Snowblower Options

Chute Rotation Kits • Rotary Drums • Heavy Duty Blades and Skids • PTO Options

Chute Options

Select Components Required And Add To Base Price

Option	Part No	Description	Price
Choice of Chute	CST-7486	Reg. chute	\$754.00
	PSIG-7486	Semi-industrial chute w/ greasable hinges	1,031.00
	PCG-7486	Quick Attach industrial chute	1,673.00
	PRP-7486-2	24" extension for industrial chute	832.00
	PRP-7486	48" extension for industrial chute	903.00
Choice of adjustment for chute deflector	T-74104	Manual telescopic tube	71.00
	25TR08	Hydraulic cylinder	133.00
	TSB-74104	Hose support for deflector cylinder	60.00
Choice of chute rotation	SP-7486	Hydraulic chute rotation kit (included)	-
	MLH-250	Motor for kit (for pump with less than 12 GPM)	511.00
	MLH-315	Motor for kit (for pump with more than 12 GPM)	523.00
Rotary drum (std. on TRC)	25TR08	Hydraulic cylinder for drum rotation	133.00

Heavy Duty Options

Model		P-740	P-800 (TRC)	P-860 (TRC)	P-862 (TRC)	P-920 (TRC)	P-920-98 (TRC)
MD scraper blade carbon steel rev. 1/2" x 4" unsharpened	Part no	SIT1-74	SIT1-80	SIT1-86	SIT1-86	SIT1-92	SIT1-98
	Price	359.00	374.00	385.00	385.00	445.00	451.00
HD scraper blade carbon steel not rev. 1/2" x 6" sharpened	Part no	T1-74	T1-80	T1-86	T1-86	T1-92	T1-98
	Price	431.00	447.00	476.00	476.00	506.00	552.00
Tivar scraper blade incl. mounting kit	Part No	TV-74	TV-80	TV-86	TV-86	TV-92	TV-98
	Price	CALL					
Industrial skid shoes w/ carbon steel sole	Part No	PHD-7486	PHD-7486	PHD-7486	PHD-7486	PHD-92104	PHD-92104
	Price	193.00	193.00	193.00	193.00	253.00	253.00
Lateral blades (set of 2) 3/8" x 4"	Part No	CL-7486	CL-7486	CL-7486	CL-8292	CL-920	CL-920
	Price	259.00	259.00	259.00	272.00	273.00	273.00
	Install. fee	91.00	91.00	91.00	91.00	91.00	91.00
Full flight spiked Auger	Part No	VIP-740	VIP-800	VIP-860	VIP862	VIP-992	VIP-980-98
	Price	1,568.00	1,693.00	1,804.00	1,804.00	1,804.00	1,804.00
PTO for intensive service	Part No	PA-06	PA-06	PA-08	PA-08	PA-09	PA-09
	Price	163.00	163.00	255.00	255.00	703.00	703.00
1000/540 rpm reducer 3 chains - shafts 8" c/c	Part No	PR-81054	PR-81054	PR-81054	PR-81054	PR-91054	PR-91054
	Price	3,287.00	3,287.00	3,287.00	3,287.00	3,639.00	3,639.00

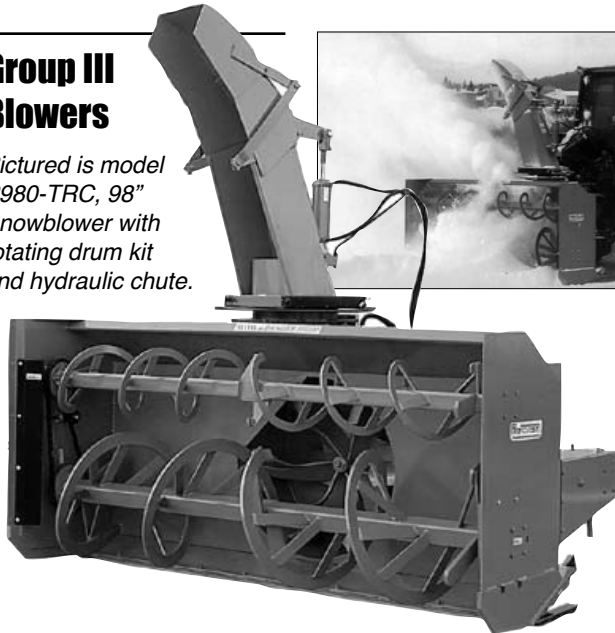
F.O.B Factory

Group III Snowblowers

92 to 104" Working width • Category II three-point • For 75-150 horsepower

Group III Blowers

Pictured is model P980-TRC, 98" Snowblower with rotating drum kit and hydraulic chute.



Pronovost Group III commercial snowblowers are the largest snowblowers in the Pronovost model line. Recommended for tractors 75-150 HP and available in working widths from 92" to 104", these machines are built for hard work.

Group III snowblowers have all of the features that have made Pronovost snowblowers so successful: adjustable skid shoes, balanced impellers, and UHMW lined chutes and drums. They are also available with an optional 13" upper auger and many heavy-duty options. Group III snowblowers come standard with hydraulic chute rotation. Spring loaded chain tensioner and polyurethane paint provide low-maintenance durability.

Available options include rotary drum kits with side deflectors (standard on TRC model), remote chute rotation and heavy duty scraper and skid kits.

Model	P-992	P-980	P-1040
Cutting width	92"	98"	104"
Cutting height	44.5"	48"	48"
Tractor hp	75-125	100-150	100-150
Depth of drum	15"	15"	15"
Impeller dia.	23"	26"	26"
Impeller blades	5	6	6
Impeller shaft	2"	2"	2"
Impeller rpm	540	540	540
Impeller Height	19.5"	21.5"	21.5"
No. of Augers	2	2	2
Auger dia.	23"	26"	26"
Chain size	80	100	100
Hitch cat	II	II	II
Shear Bolts	2	2	2
P.T.O driveline	No. 8	No. 8	No. 8
Weight (lbs.)	1843	2003	2063

Optional Equipment



Manual Chute

Handcrank rotation



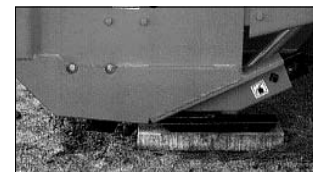
Hydraulic Chute

For remote operation



TRC Models

With hyd. rotary drum



Skids

HD shoes optional.

Model	Description	Wt.	Price
P-992	92" commercial snowblower	1843 lbs.	\$11,336.00
P-992TRC	92" commercial snowblower with rotating drum, side deflector	2012 lbs.	13,095.00
P-980	98" commercial snowblower	2003 lbs.	11,897.00
P-980TRC	98" commercial snowblower with rotating drum, side deflector	2172 lbs.	13,655.00
P-1040	104" commercial snowblower	2063 lbs.	12,294.00
P-1040TRC	104" commercial snowblower with rotating drum, side deflector	2232 lbs.	14,055.00

F.O.B. Factory

Revised 7-1-12 (Based on Mfg. Price List 5-1-12)

Prices subject to change without notice

Code AT-2

Group III Snowblower Options

Chute Rotation Kits • Rotary Drums • Heavy Duty Blades and Skids • PTO Options

Options and Accessories

Select Components Required And Add To Base Price

Part No.	Description	Price
Chute Options: Regular chute included; Order chute rotation below		
Chutes:		
PSIG-92104	Semi-Industrial chute	\$1,505.00
PCG-92104	Quick-attach industrial chute	2,609.00
PRP-92104-2	24" extension for industrial chute	973.00
PRP-92104	48" extension for industrial chute	1,111.00
PCT-92104	Hydraulic telescopic industrial chute including hoses including support	5,441.00
Adjustment for chute deflector:		
25TR08	Hydraulic cylinder	133.00
Chute Rotation		
MLH-250	Motor for chute rotation (for pump with less than 12 GPM)	511.00
MLH-315	Motor for chute rotation (for pump with more than 12 GPM)	523.00
Rotary drumkits		
MLH-250	Motor for drum rotation (for pump with less than 12 GPM)	511.00
MLH-315	Motor for drum rotation (for pump with more than 12 GPM)	523.00
Upper Auger - 14" Diameter (Including accesories)		
VS2-992	Upper auger kit for P-992 & P-992TRC	1128.00
VS2-980	Upper auger kit for P-980 & P-980TRC	1197.00
VS2-1040	Upper auger kit for P-1040 & P-1040TRC	1275.00
Heavy Duty Options		
Scraper Blades		
SIT1-92	Semi-industrial scraper blade, 1/2" x 4", not sharpened; for P-992 & P-992TRC	445.00
SIT1-98	Semi-industrial scraper blade, 1/2" x 4", not sharpened; for P-980 & P980TRC	451.00
SIT1-104	Semi-industrial scraper blade, 1/2" x 4", not sharpened; P-1040 & P-1040TRC	480.00
T1-92	Industrial scraper blade, 1/2" x 6", sharpened; for P-992 & P-992TRC	506.00
T1-98	Industrial scraper blade, 1/2" x 6", sharpened; for P-980 & P-980TRC	552.00
T1-104	Industrial scraper blade, 1/2" x 6", sharpened; for P-1040 & P-1040TRC	583.00
TV-92	TIVAR scraper blade including mounting kit; for P-992 & P-992TRC	Call
TV-98	TIVAR scraper blade including mounting kit; for P-980 & P-980TRC	Call
PHD-92104	Industrial skid shoes with CHT-360 steel sole	253.00
CL-98104	Set of 2 lateral blades 1/8" x 4"	275.00
	Installation charge	91.00
Augers:		
VIP2-992	Full flight spiked main auger for P-992 & P-992TRC	1,804.00
VIP2-980	Full flight spiked main auger for P-980 & P-980TRC	2,182.00
VIP2-1040	Full flight main auger for P-1040 & P-1040TRC	2,310.00
PTO Options:		
PA-09	Power take off for intensive service	704.00
PR-91054	1000-540RPM reducer	3,638.00

F.O.B Factory

J20/80 PTO Diggers

G20/40 PTO Diggers

Cat I or II Three Point Mount for 20 to 80 HP

Cat I Three-Point Mount for 20 to 40 HP



- Category I or II 3 pt hitch mount
- Rated for 20 to 80 HP only tractors
- Delivers 1014 ft lbs of torque
- 2" round output spindle
- 24" maximum diameter augers
- PTO Driven (540 rpm)
- Complete with boom, yoke, auger adapter guard, gearbox, driveline, and hardware package

- Category I 3-pt hitch mount
- Rated for 20-40 hp only tractors
- Delivers 1014 ft lbs of torque
- 2" round output spindle
- 24" **maximum** diameter auger
- PTO driven (540 rpm)
- Complete with boom, yoke, auger adapter guard, gearbox, driveline, and hardware package

Part no.	Model	Wt.	Price	B.Frt.
Sold minus Augers and Accessories				
6800	J20/80	260 lbs	1,585.00	\$62.40

Part no.	Model	Wt.	Price	B.Frt.
Sold minus Augers and Accessories				
6000	G20/40	217	1,360.00	\$52.08

J20/80 & G20/40 Digger Accessories

Part no.	Model	Wt.	Price	B.Frt.
6109	Yoke Extension Kit - Provides approx. 6" of additional lift height to the digger. Amount of lift height will vary depending on the tractor. For J20/J80 & G20/40	5	87.00	\$1.20
6347	Adapter Kit - For John Deere 4110/ 4115 tractors. For Model G20/40	7	143.00	1.68
6136	Auger Adapter Guard -- Furnished as part of the digger gearbox. Required for G20/40 diggers prior to Serial No 11152. Fits J20/80 & G20/40	9	net 29.00	2.16
6818	Down Force Package - Provides approx. 500 lbs of additional force to the auger point. Complete with relief & automatic dump valve (less hoses). For J20/80	57	660.00	13.68
6220	Down Force Package - Provides approx. 500 lbs of additional force to the auger point. Complete with relief & automatic dump valve (less hoses). For G20/40	57	560.00	13.68

F8 PTO Diggers

Cat I or II Three Point Moint Digger for 40 HP and Above Tractors



Model F8 Gearbox

Cut-away picture shown with one half of adapter guard removed. The spiral bevel ring gear and pinion are mounted in Timken roller bearings. Gearbox ratio is 4.125: 1.

Specs & Pricing

- Category I or II three-point hitch mount
- Rated for 40 Hp and above tractors
- Delivers 1,813 ft lbs of torque
- 2-9/16" round output spindle
- 30" maximum diameter Auger
- PTO driven (540 rpm)
- Complete with boom, yoke, auger adapter guard, gearbox, driveline, and hardware package
- Pins are included to fit Category I or II dia. and width

Part no.	Model	Wt.	Price	B.Frt.
Sold minus Augers and Accessories				
9050	F8	320 lbs	2,550.00	\$162.40

F8 Accessories

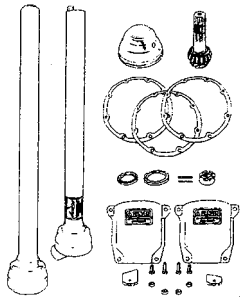
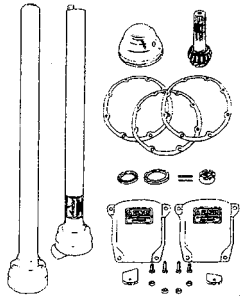
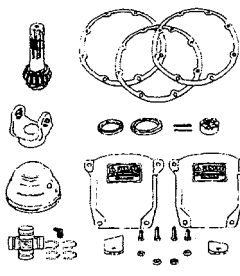
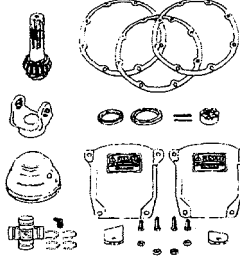
Part no.	Model	Wt.	Price	B.Frt.
9051	Assembly Hardware Package - Allows crane boom and yoke to be mounted on most ASAE 3-pt hitch tractors, Category I or II pin size, Category I width only	9	65.00	\$2.16
9052	Assembly Hardware Package - Allows crane boom and yoke to be mounted on most ASAE 3-pt hitch tractors. Category II pin size, Category II width only	12	99.00	2.88
7480	Hook And Yoke Assembly - Use with 9049 crane boom for lifting up t 750 lbs.	10	135.00	2.40
7270	Auger Adapter Guard - Furnished with Model F8. Required on all machines with 2-9/16" round spindel with 2-3/8" diamond center column augers	8	net 24.00	1.92
9545	Auger Adapter Guard - Required on all machines using 3-5/8" diameter center column augers	9	net 51.00	2.16
9079	Down Force Package - Provides approximately 500 lbs of additional forve to the auger point. Complete with relief and automatic dump valve	51	659.00	12.24

9079 Note:

Tractor must be equipped with remote outlets and either a three-way valve (as used int the operation of a single-acting cylinder) or a four-way valve (as used in the operation of a double-acing cylinder).

Hoses to Tractor Not Supplied (requires one hose to a pressurized outlet and one hose to sump or resorvoir.

F-Series Conversion Kits

Part no.	Model	Wt.	Price	B.Frt.
9049	<p>Crane Boom and Yoke- Used to convert Dearborn model 22-11, Danuser Model F2, FA, F7U, and F7UF diggers from either long arm or long boom to current Crane Boom configuration for most ASAE 3- pt hitch tractors. To be used with 9051 or 9052 Assembly hardware package. To use as a lifting boom, order 7480 Hook and Yoke Assembly. You MUST ALSO convert any of these older diggers to our current production safety standards by ordering one of the CONVERSION KITS listed below to assure your customer of parts availability in the future. Danuser will not knowingly sell any parts to an older digger which has not been updated with one of the CONVERSION KTIS. When the conversion is installed, your customer will have the equivalen of a Model F8 with access to any parts.</p>	114	554.00	\$2.16
7577	 <p>CONVERSION KIT -Used to conever any Danuser PTO Digger with 622 casting number over to the 273 pinion. The kit includes a pinion, Pinion guard, complete guarded driveline all the way to the tractor, and a 7270 Auger adapter guard for 2-3/8" center columun augers. This kit required on all diggers with serial numbers prior to 59999</p>	50	net 350.00	12.00
7578	 <p>CONVERSION KIT -Used to conever any Danuser PTO Digger with 622 casting number over to the 273 pinion. The kit includes a pinion, Pinion guard, all parts out through the center cross at the U-joint on the gearbox, and a 7270 Auger adapter guard for 2-3/8" center columun augers. This kit required on all diggers with serial numbers ranging from 60001 to 71199</p>	18	net 215.00	4.32
7580	 <p>CONVERSION KIT - Same as 7577 except comes with 9545 Auger Adapter guard for 3-5/8" diameter center columun augers</p>	51	net 375.00	12.24
7581	 <p>CONVERSTION KIT - Same as 7578 except comes with 9545 Auger Adapter Guard for 3-5/8" diameter center columun augers</p>	19	net 235.00	4.56

8300 & 8800 Series Hydraulic Diggers

Hydraulic Diggers, Category I Three Point or Bucket Mount



- 8300: Front loader mount attaches to side or bottom of bucket
- 8800: Cat I, 3-pt mount with 3" O.D boom and yoke.
- 8300-1 and 8800-1 are rated for 5-10 gpm at 15000-3000 PSI. **14" maximum diameter** auger. Delivers 984 ft-lbs of torque at 3000 PSI
- 8300-2 and 8800-2 are rated for 10-20 gpm at 1500-3000 psi. **24" maximum diameter** auger. Delivers 1464 ft-lbs of torque at 3000 psi



◀
Model 8300 *For mount on front end loader bucket. Attaches to side or bottom of bucket.*
▶
Model 8800 *Category I three-point mount digger with 3" O.D. boom and yoke.*

8300/8800 Pricing

Part no.	Model	Description	Wt.	Price	B.Frt.
Sold minus Augers and Accessories					
6141	8300-1	Bucket mount hydraulic digger; 5-10 GPM at 1500-3000 PSI	134	1,675.00	32.16
6142	8300-2	Bucket mount hydraulic digger; 10-20 GPM at 1500-3000 PSI	135	1,705.00	32.40
6150	8800-1	3-pt mount hydraulic digger; 5-10 GPM at 1500-3000 PSI	198	2,155.00	47.52
6165	8800-2	3-pt mount hydraulic digger; 10-20 GPM at 1500-3000 PSI	199	2,199.00	47.76

8300/8800 Mounting Kits and Accessories

Part no.	Model	Description	Wt.	Price	B.Frt.
6216		Bolt-On Bucket Mounting Kit: Will mount on horizontal or vertical surface (less hardware). For Model 8300	12	85.00	2.88
6143		Universal Loader Bucket Mount Kit: Fits buckets 48" min width and 90" max distance around outside. For model 8300	87	415.00	20.88
6347		Adapter Kit: For John Deere 4110/4115 tractor. For model 8800	7	143.00	1.68
6359		3/4" hose kit for bucket mount - hoses are 15' long	18	218.00	4.32
6360		3/4" hose kit for bucket mount -- hoses are 20' long	23	252.00	5.52
6361		3/4" hose kit for bucket mount -- hoses are 25' long	29	288.00	6.96
6109		Yoke Extension Kit - Provides approximately 6" of additional lift height to the digger. Amount of additional lift height will vary depending on the tractor make and model. For Model 8800.	5	87.00	1.20
6136		Auger Adapter Guard - Furnished with machines. Required on all machines with 2" spindles	9	net 29.00	2.16
6220		Down Force Package - Provides 500 lbs of additional force to the auger point. Complete with relief and automatic dump valve. Tractor must be equipped with remote outlets and either a three-way valve (as used for a single acting cylinder) or four-way valve (a used for a double-acting cylinder). HOSES TO TRACTOR NOT SUPPLIED. -- Need one hose to pressurized outlet, and one to reservoir.	57	560.00	13.68

Note: Quick couplers are not included with bucket mount hoses

8900 Series Hydraulic Diggers

Heavy Duty Hydraulic Digger. Mounts to Three Point, Bucket, or Skid Steer



Model 8900

Mounts to Skid steer, Front loader or 3-pt.



The 8900 can mount to the front-end loader, skid-steer, and tractor 3-pt. hitch. The 8900 is a hydraulic big brother to the F8 utilizing the same 3-pt. hitch and augers while gaining reverse and almost double the torque. 100% American made.

- **Mounts:** Skid steer quick attach, front end loader, or Cat I or II 3-Pt hitch.
- **8900-4:** 10-20 GPM at 1500-3000 PSI. **8900-7 & 8900-8:** 14-30 GPM at 1500-3000 PSI.
- Eaton high torque reversible motor and Auburn planetary gearbox with 4.08:1 ratio (Warrantied 5 years) .
- 8900-4 & 7 have round output spinde. 8900-8 has hex output spindle.
- 36" max auger diameter. Auger adapter guard included

Part no.	Model	Wt.	Price	B.Frt.
9554	8900-4	159	2,195.00	38.16
9557	8900-7	161	2,260.00	38.64
9558	8900-8	160	2,325.00	38.40

8900 Mounting Kits and Accessories

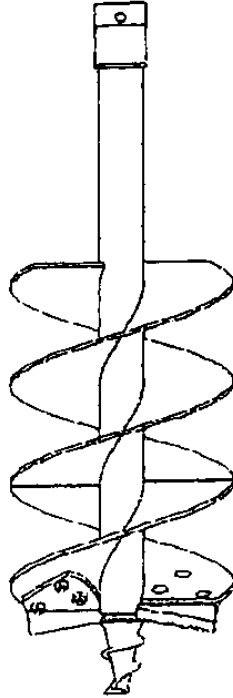
Part no	Model	Wt.	Price	B.Frt.
20000	Skid steer Kit (incl. knuckle) - Attach to skid steer w/ 2 pin SAE quick couplers	128	385.00	30.71
9872	1/2" hose kit for skid steer mount- 8' Hoses with abrasion sleeves & flat face ISO couplers. Includes motor fittings	15	218.00	3.60
9873	3/4" hose kit for skid steer mount - 8' Hoses with abrasion sleeves & flat face ISO couplers. Required for 20 GPM or more. Includes motor fittings	20	296.00	4.80
NOTE: Quick Couplers will not fit old Case (Prior to XT) Skid steers				
9607	Bolt on Bucket Mount - Mounts on vertical surface (less hardware, incl. knuckle)	39	260.00	9.36
6359	3/4" hose kit for bucket mount - 15' hoses	18	218.00	4.32
6360	3/4" hose kit for bucket mount -20' hoses	23	252.00	5.52
6361	3/4" hose kit for bucket mount - 25' hoses	29	288.00	6.96
9049	Crane boom and yoke - For most ASAE 3-pt hitch tractors. Use with 9051 or 9052 hardware package. To use as lifting boom, order 7480 hook & yoke assembly	114	554.00	27.36
9051	Assembly hardware package - Allows crane boom and yoke to be mounted on most ASAE 3-pt tractors, Cat I or II pin size, Cat I width only	9	65.00	2.16
9052	Assembly hardware - Allows crane boom and yoke to be mounted on most ASAE 3-pt tractors. Cat II width and pin size only	12	99.00	2.88
7480	Hook and Yoke Assembly - Use with 9049 crane boom for lifting up to 750 lbs	10	135.00	2.40
7270	Auger Adapter Guard - Furnished on 8900-4 & 8900-7. Required on all machine with 2-9/16" round spindle w/ 2-3/8" diameter center column augers	8	24.00	1.92
9545	Auger Adapter Guard - Furnished on 8900-8. Required on all machines with 2" hex spindle and/or 3-5/8" diameter center column augers.	9	51.00	19.44
9079	Downforce Package - 500 lbs of additional force to auger. For 9049 crane boom			
9079 NOTE: Tractor must be equipped with remote outlets and a 3-way valve or 4-way valve. HOSES TO TRACTOR NOT SUPPLIED -- Need one hose to pressurized outlet, and one to reservoir				

Danuser 2" Round Augers

Double Flight Augers • Fit Danuser Digger Models J20/80, G20/40, 8300, & 8800

2" Round Augers Double Flight

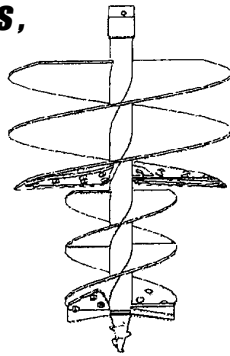
Pictured:
Model 6032 12" Auger



Dia.	Part No.	Wt.	Price	B.Frt.
40" Hole Depth (plain edges)				
4"	6101	19	204.00	4.56
6"	6029	29	217.00	6.96
9"	6030	39	256.00	9.36
12"	6032	51	301.00	12.24
14"	6034	65	361.00	15.60
16"	6036	69	423.00	16.56
18"	6038	65	463.00	15.60
24"	6040	91	534.00	21.84
40" Hole Depth (Serrated Edges)				
9"	6031	39	258.00	9.36
12"	6033	51	306.00	12.24
14"	6035	65	366.00	15.60
16"	6037	69	431.00	16.56
18"	6039	65	470.00	15.60
24"	6041	91	544.00	21.84
40" Hole Depth (Hole Digger Head)				
6"	6121	34	377.00	8.16
9"	6122	45	410.00	10.80
12"	6123	58	458.00	13.92
14"	6124	71	562.00	17.04
16"	5126	77	673.00	18.48
18"	6358	85	846.00	20.40

2" Round Stepped Augers, Double Flight

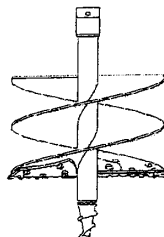
Pictured:
Model 6242 30" x 16" stepped
auger.



Dia.	Part No.	Wt.	Price	B.Frt.
33" Hole Depth (plain edges)				
18 x 10	6240	73	457.00	17.52
40" Hole Depth (Plain Edges)				
24 x 12	6241	113	576.00	27.12
30 x 16	6242	165	822.00	39.60
33" hole Depth (Serrated Edges)				
18x10"	6248	72	468.00	17.28
40" Hole Depth (Serrated Edges)				
24 x 12	6249	113	588.00	15.36
30 x 16	6250	165	839.00	20.64

2" Round Orchard Augers Double Flight

Pictured:
Model 6256- stepped auger.



Dia.	Part No.	Wt.	Price	B.Frt.
29" Hole Depth (Plain Edges)				
18"	6256	64	404.00	15.36
24"	6255	86	455.00	39.60

Danuser 2-9/16" Round Augers

Double Flight Augers • Fit Danuser Digger Models F8, 8900-4 & 8900-7

40" Hole Depth Pricing

Dia.	Part No.	Wt.	Price	B.Frt.
40" Hole Depth (plain edges)				
4"	450	25	204.00	6.00
6"	417	39	312.00	9.36
9"	1551	46	320.00	11.04
10"	288	50	342.00	12.00
12"	412	62	364.00	14.88
14"	451	75	419.00	18.00
16"	7650	84	497.00	20.16
18"	1275	87	577.00	20.88
24"	1270	94	623.00	22.56
30"	7857	133	862.00	31.92
36"	9618	169	1266.00	40.56
40" Hole Depth (Serrated Edges)				
9"	1552	46	325.00	11.04
10"	487	51	348.00	12.24
12"	488	62	369.00	14.88
14"	489	74	428.00	17.76
16"	7665	83	501.00	19.92
18"	1276	87	583.00	20.88
24"	1272	94	632.00	22.56
30"	7935	133	874.00	31.92
36"	9614	169	1272.00	40.56
40" Hole Depth - Hole Digger head				
6"	9387	44	472.00	10.56
9"	9314	52	485.00	12.48
10"	9315	57	502.00	13.68
12"	9316	69	528.00	16.56
14"	9317	85	636.00	20.40
16"	9318	94	762.00	22.56
18"	9319	125	1022.00	30.00
24"	(#) 9320	150	1254.00	36.00
30"	(#) 9321	207	1587.00	49.68
36"	(#) * 9412	264	1773.00	63.36

NOTE: PN 9618 and 9614 have 30" and 9" cutting edes refer to PN9412 for heavy industrial use

(#) Indicates augers with 3-5/8" columns. If the customer's digger has a factory installed 7270 auger adapter guard, it will cover all 2-3/8" center column augers. The customer will need a 9545 guard when using 3-5/8" center column agers. Should the digger not be equipped with a guard, the customer must purchase the 7270 or 9545 guards.

* indicates single flight construction

52" Hole Depth

Dia.	Part No.	Wt.	Price	B.Frt.
52" Hole Depth (plain edges)				
9"	7476	60	379.00	14.40
10"	7478	67	403.00	16.08
12"	7419	83	457.00	19.92
14"	7437	101	522.00	24.24
16"	7661	116	623.00	27.84
52" Hole Depth (Serrated Edges)				
9"	7497	60	381.00	14.40
10"	7498	67	406.00	16.08
12"	7499	82	462.00	19.68
14"	7519	101	527.00	24.24
16"	7734	116	631.00	27.84
52" Hole Depth - Hole Digger head				
9"	9322	71	575.00	17.04
10"	9323	75	603.00	18.00
12"	9324	94	672.00	22.56
14"	9325	114	815.00	27.36
16"	9326	126	984.00	30.24

72" Hole Depth

Dia.	Part No.	Wt.	Price	B.Frt.
72" Hole Depth (Serrated Edges)				
9"	7846	95	612.00	22.80
10"	7848	101	665.00	24.29
12"	7850	125	688.00	30.00
14"	7852	151	737.00	36.24
16"	7854	116	623.00	27.84
18"	7604	238	927.00	57.12
72" Hole Depth (Serrated Edges)				
9"	7936	95	617.00	22.80
10"	7937	101	670.00	24.24
12"	7938	125	694.00	30.00
14"	7939	151	741.00	36.24
16"	7940	168	816.00	40.32
18"	7605	238.00	936.00	57.12
72" Hole Depth - Hole Digger head				
9"	9327	99	639.00	23.76
10"	9328	106	716.00	25.44
12"	9329	128	777.00	30.72
14"	93330	155	907.00	37.20