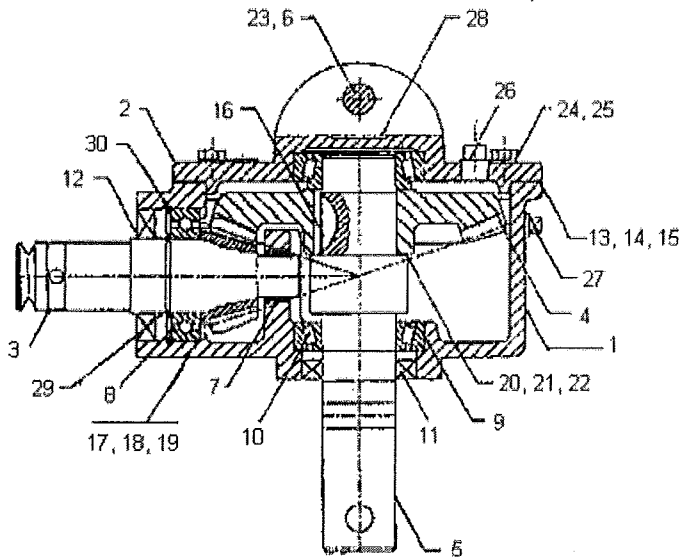


Model 101 Post Hole Digger Gear Box



101 Post Hole Digger / Gearbox (SD-101-GB) Parts List

Illustration Number	Description	Part Number
1	Housing	SDM-010177
2	Cap, Top	SDM-020226
3	Pinion - 12T	SDM-020462
4	Gear - 36T	SDM-030463
5	Shaft, Output	SDM-040336
6	Shaft, Mounting	SDM-040337
7	Bearing, Needle	SDM-050062
8	Bearing, Ball	SDM-050215
9	Bearing, Cup	SDM-050216
10	Bearing, Cone	SDM-050217
11	Seal, Output CR	SDM-060060
12	Sear, Input CR	SDM-060129
13	Gasket, Top Cap 0.1mm (A/R)	SDM-070254
14	Gasket, Top Cap 0.2mm (A/R)	SDM-070255
15	Gasket, Top Cap 0.5 mm (A/R)	SDM-070256
16	Key, Woodruff	SDM-080051
17	Shim, Input 0.1 mm (A/R)	SDM-090191
18	Shim, Input 0.2 mm (A/R)	SDM-090192
19	Shim, Input 0.5 mm (A/R)	SDM-090193
20	Shim, Output 0.1 mm (A/R)	SDM-090194
21	Shim, Output 0.2 mm (A/R)	SDM-090195
22	Shim, Output 0.5 mm (A/R)	SDM-090196
23	Cotter Pin	SDM-100123
24	Screw, Hex Cap	SDM-110192
25	Lockwasher	SDM-130006

26	Plug, Pipe	SDM-140000
27	Plug, Pipe	SDM-140017
28	Retaining Ring	SDM-200142
29	Retaining Ring	SDM-200143

Technical Support

We provide support for all Shaver equipment, regardless of when it was produced.

[Get support](#)

Where to Buy Shaver

Shaver distributors are located throughout the U.S. and Canada, find the one nearest you.

[Find a Distributor](#)

[Shaver Manufacturing, Making hard work easy](#)

- [Home](#)
- [About Us](#)
- [Contact](#)

- [Products](#)
- [Where to Buy](#)
- [Parts & Services](#)
- [Shows](#)

[Shaver Manufacturing](#)

Shaver Manufacturing is a leading manufacturer of fencing equipment.

We manufacture a complete lineup of post drivers, post hole diggers, stump grinders and log splitters. We're proud of the fact that our equipment is made in the Heartland of America—Graettinger, Iowa.