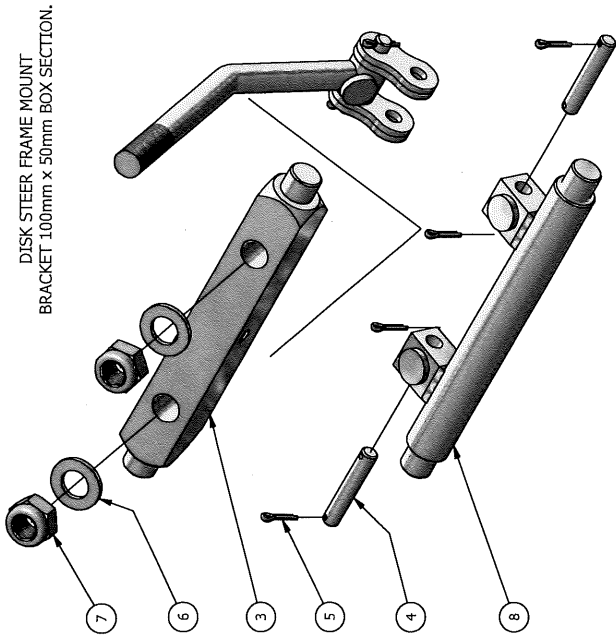
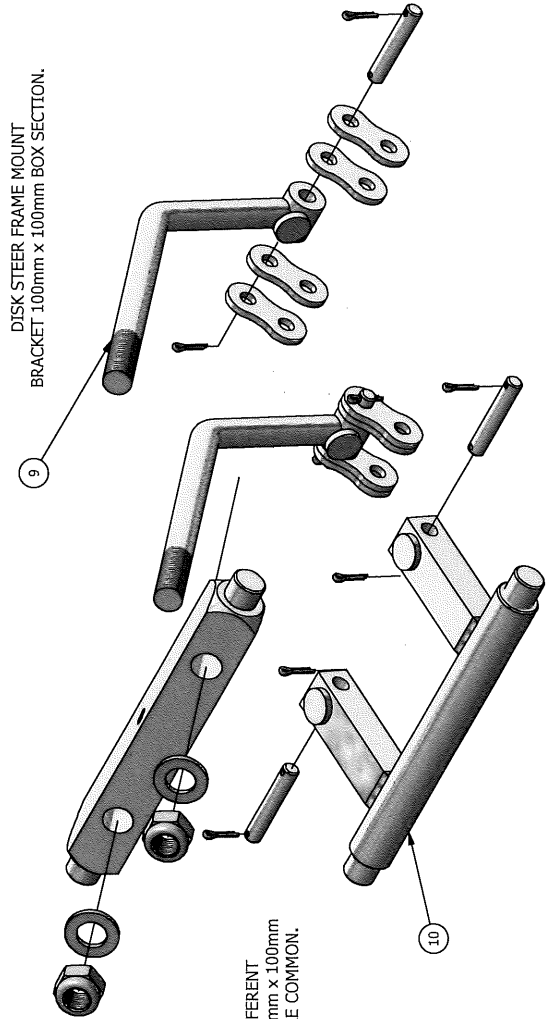


DISK STEER FRAME MOUNT  
BRACKET, ASSEMBLED VIEW.

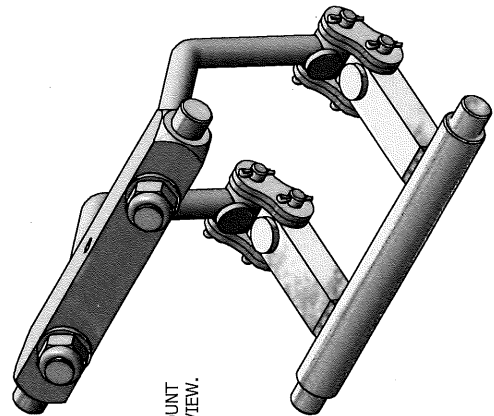


DISK STEER FRAME MOUNT  
BRACKET 100mm x 50mm BOX SECTION.



DISK STEER FRAME MOUNT  
BRACKET 100mm x 100mm BOX SECTION.

ITEMS 9 & 10 ARE THE DIFFERENT  
PARTS REQUIRED FOR 100mm x 100mm  
BOX. ALL OTHER PARTS ARE COMMON.



DISK STEER FRAME MOUNT  
BRACKET, ASSEMBLED VIEW.