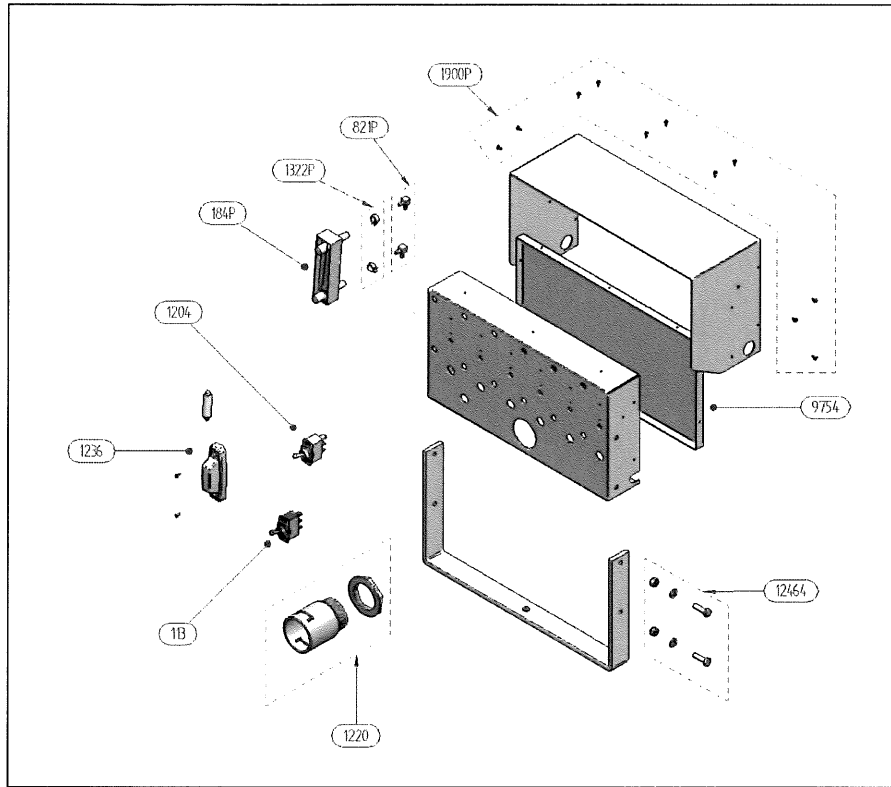


■ CONTROL BOX *OLD*



PART NO.	DESCRIPTION
113	SWITCH, DOUBLE, ON-OFF-ON
184P	FLOW METER, 30 L/h
821P	ELBOW SET (x2)
1204	SWITCH, SINGLE, ON-OFF
1220	M40 STRAIGHT FITTING
1236	LAMP ASSEMBLY
1322P	CLAMP SET (x2)
1900P	SCREWS SET
9754	CONTROL BOX
12464	SCREWS SET