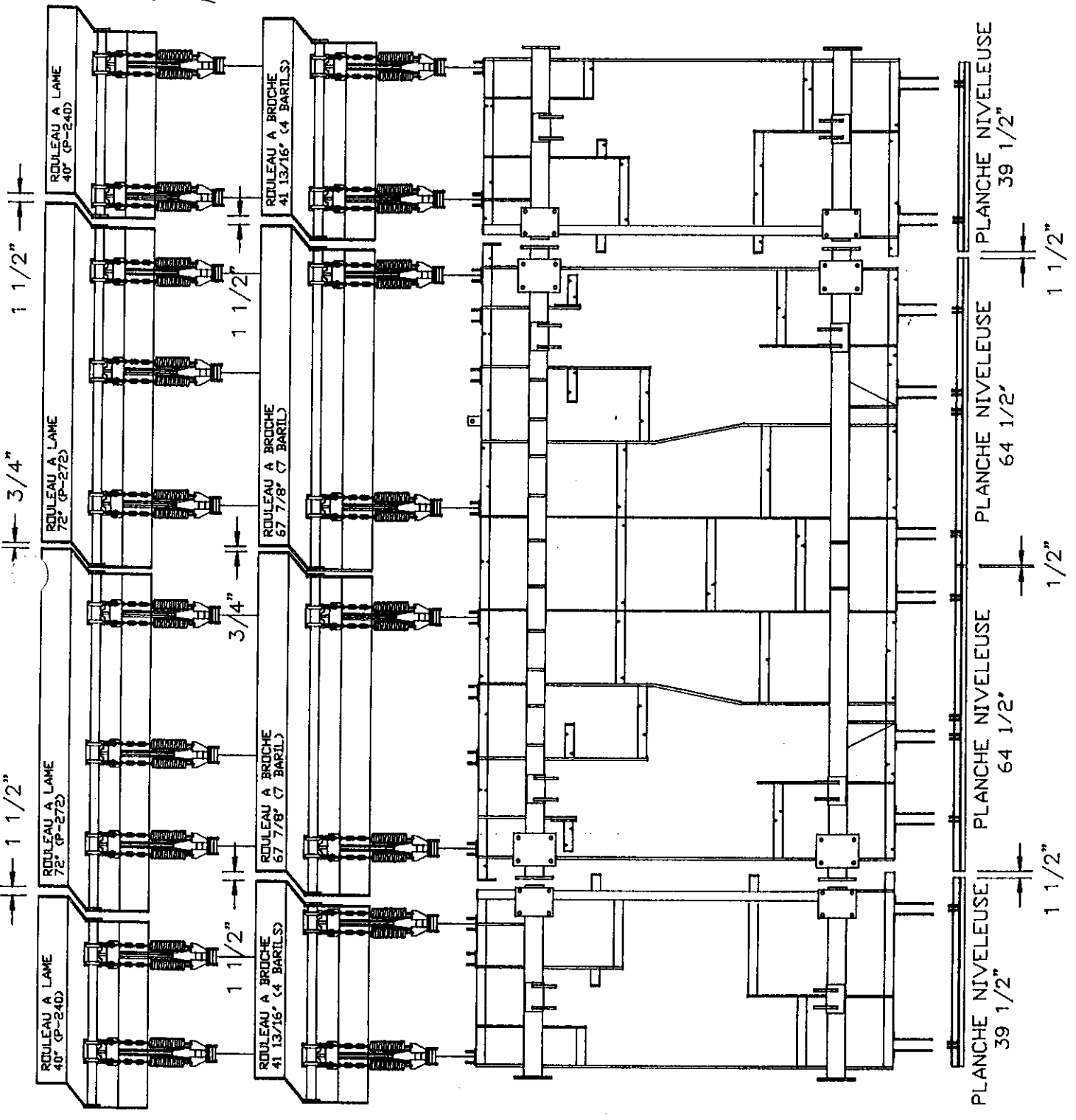


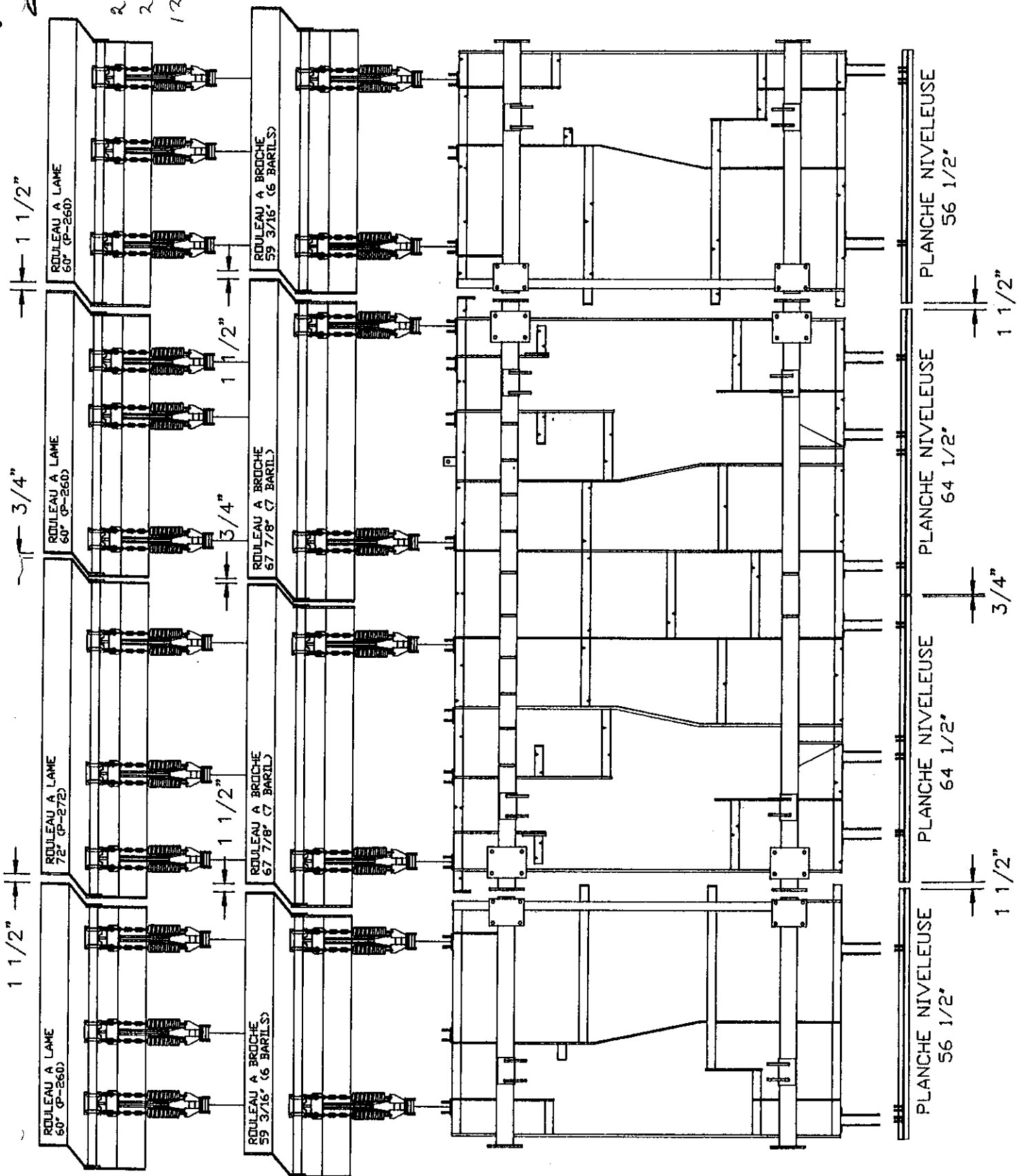
P-2250
 17'-8"

2 P-20242
 2 P-20269
 10 PR-20072



U-2250
20'-4"

2 P-20260
2 P-20269
12 PR-22072



1 1/2"

3/4"

1 1/2"

ROULEAU A LAME
60" (P-260)

ROULEAU A LAME
60" (P-260)

ROULEAU A LAME
72" (P-272)

ROULEAU A LAME
60" (P-260)

1 1/2"

3/4"

1 1/2"

ROULEAU A BROCHE
59 3/16" (6 BARTLS)

ROULEAU A BROCHE
67 7/8" (7 BARTLS)

ROULEAU A BROCHE
67 7/8" (7 BARTLS)

ROULEAU A BROCHE
59 3/16" (6 BARTLS)

PLANCHE NIVELEUSE
56 1/2"

PLANCHE NIVELEUSE
64 1/2"

PLANCHE NIVELEUSE
64 1/2"

PLANCHE NIVELEUSE
56 1/2"

1 1/2"

3/4"

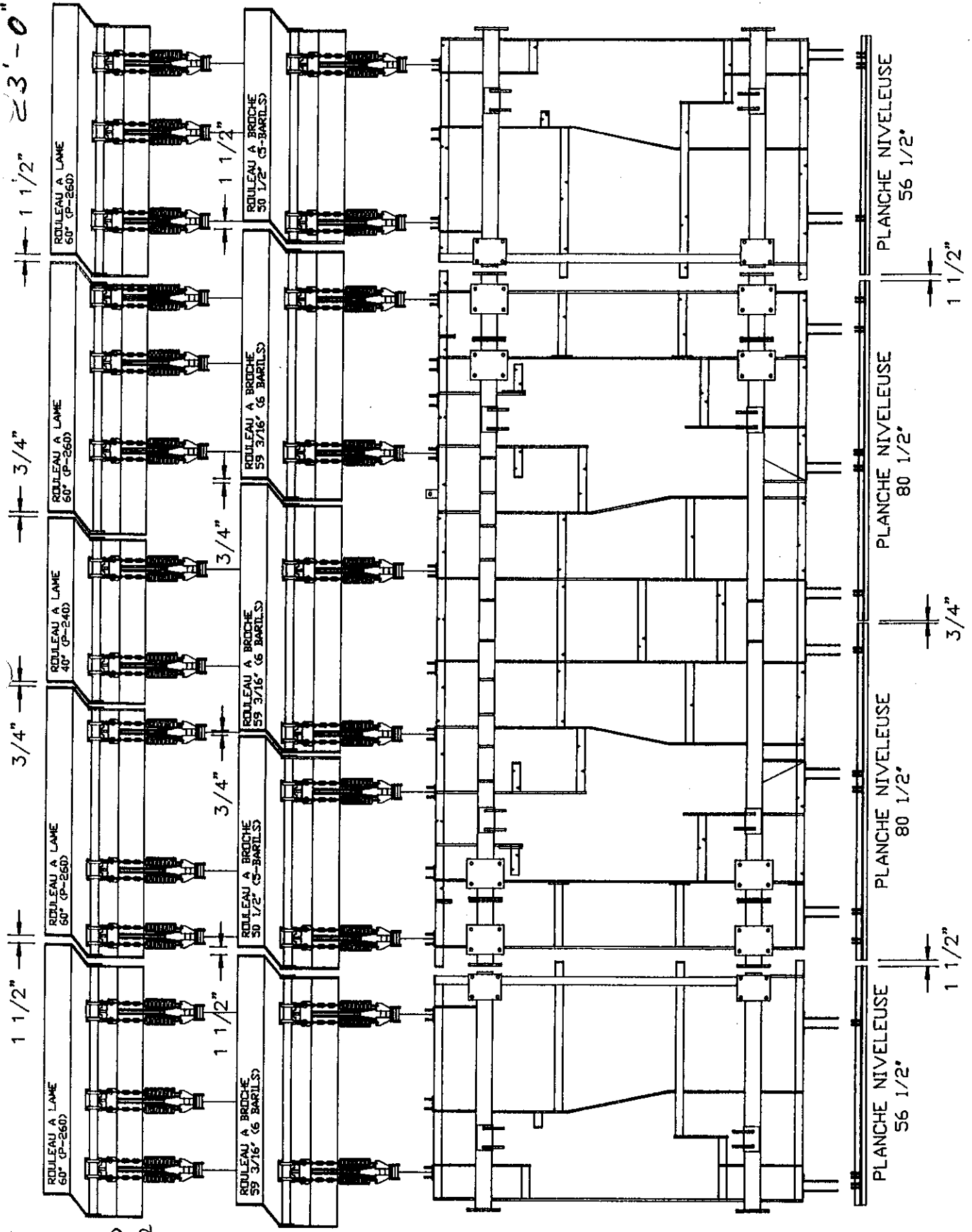
1 1/2"

1 1/2"

3/4"

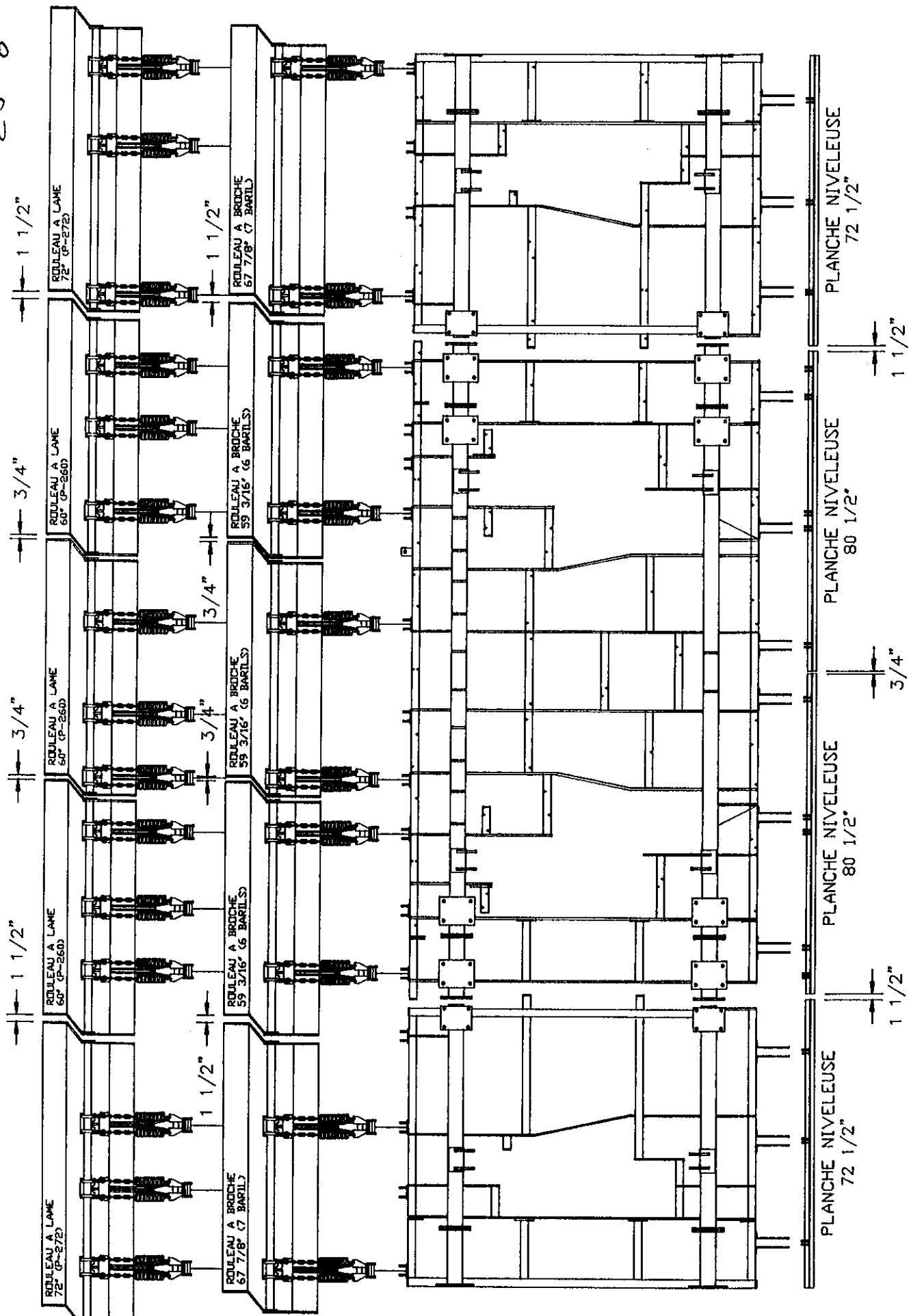
1 1/2"

V 2250
 23'-0"



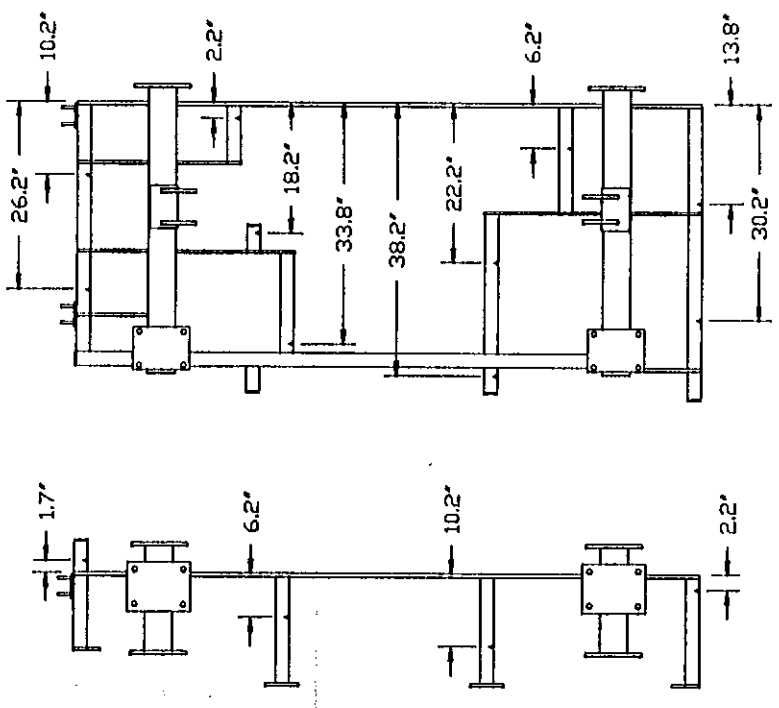
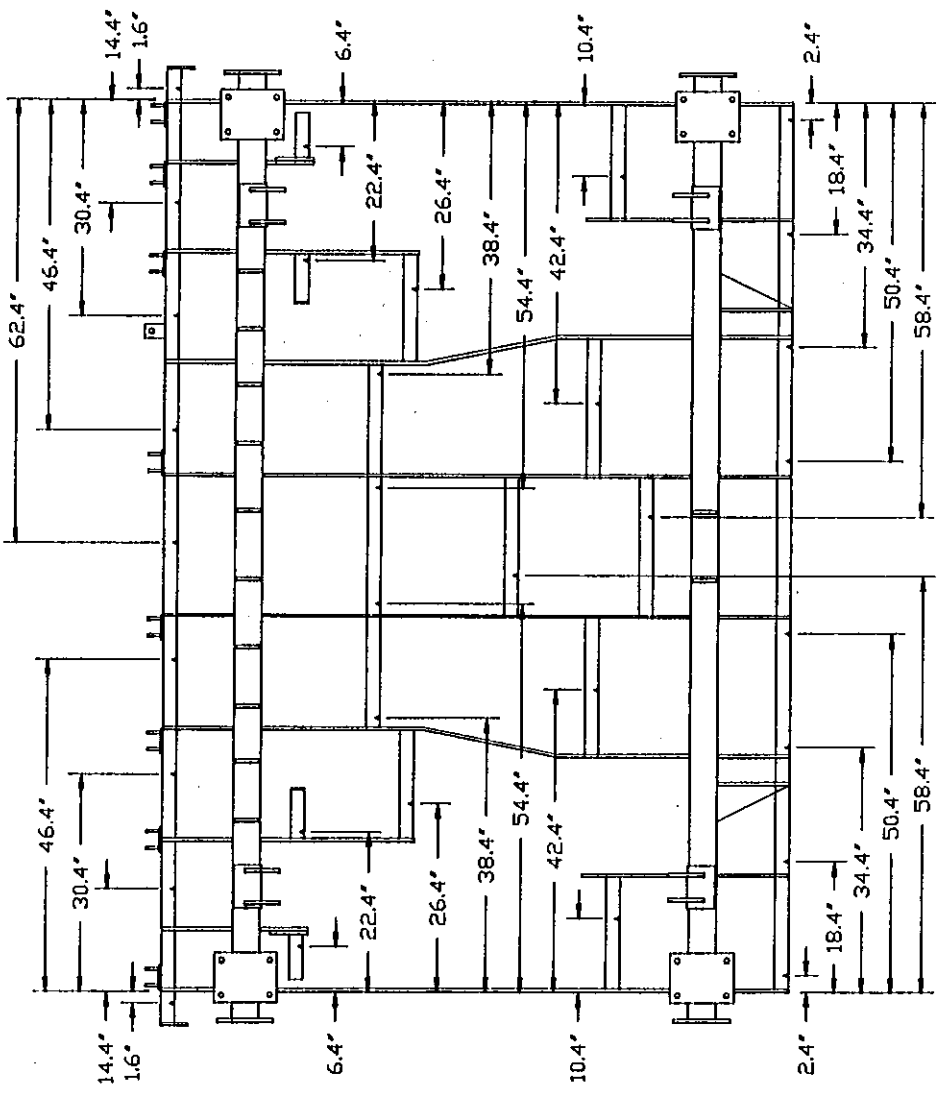
2 P-2025
 3 P-2026
 13 PR-22072

V 2250
25'-8"

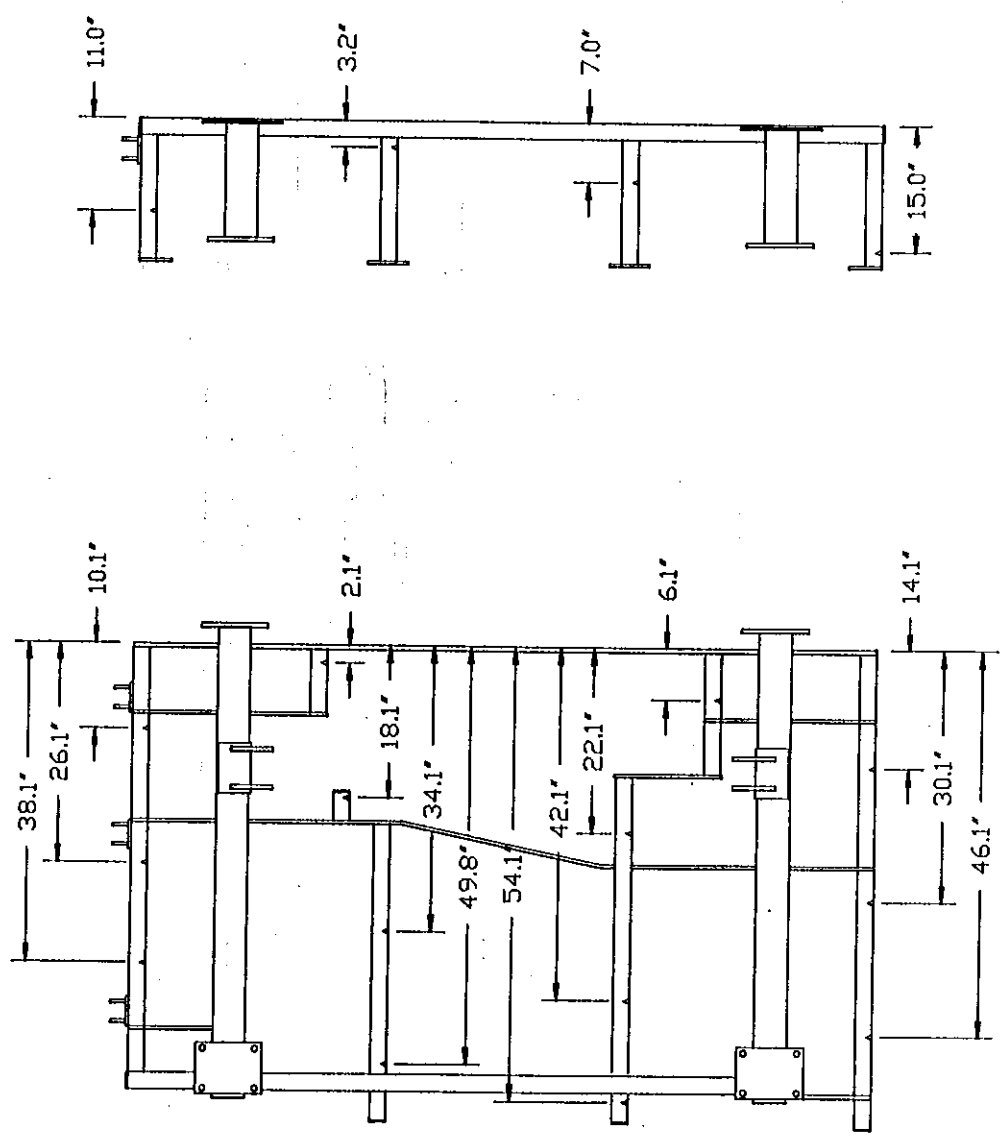


8
P-20260
2
P-20269
15
PR-22072

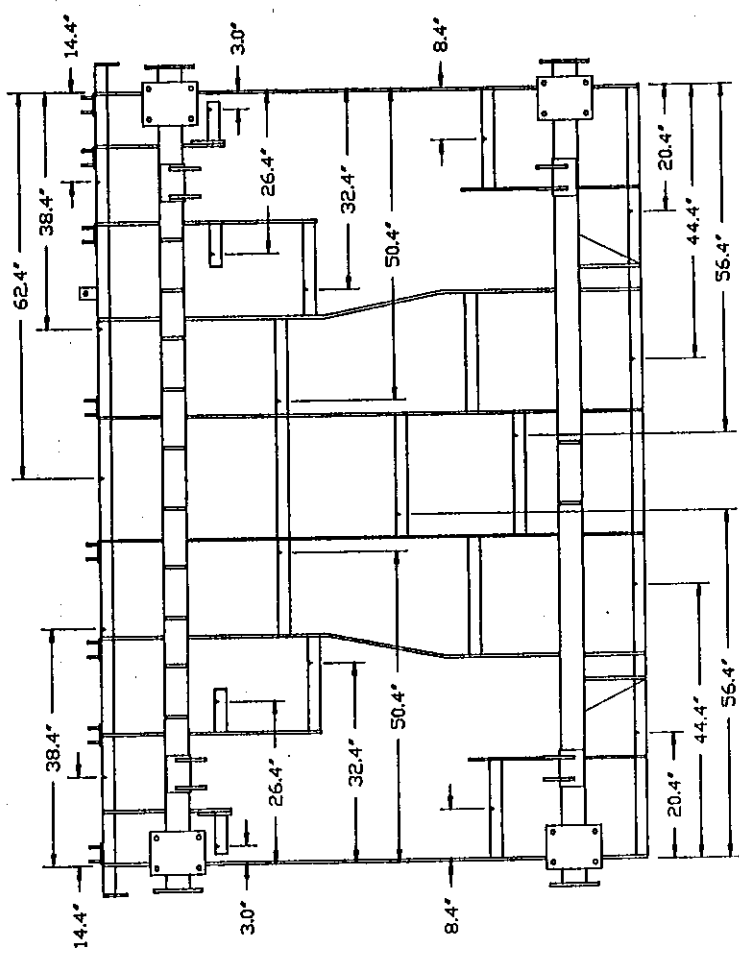
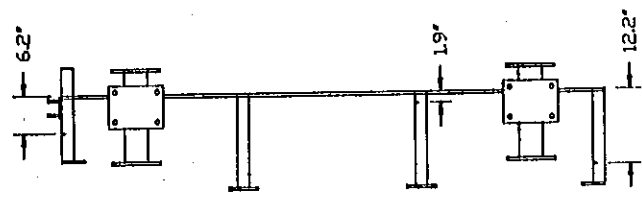
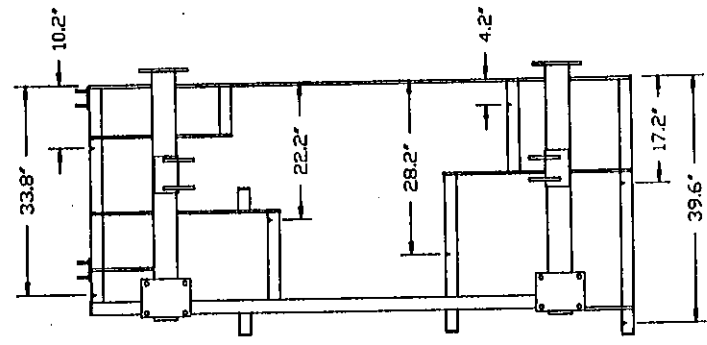
V-2250 SPACEMENT AU 4"



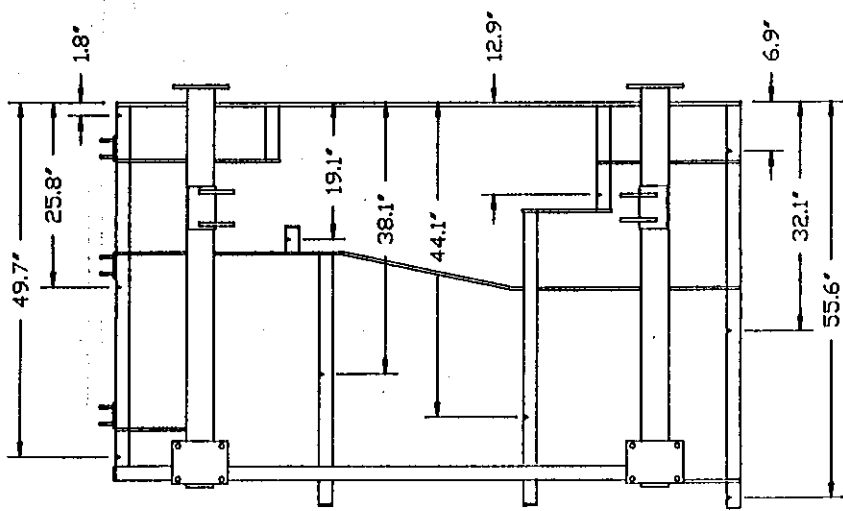
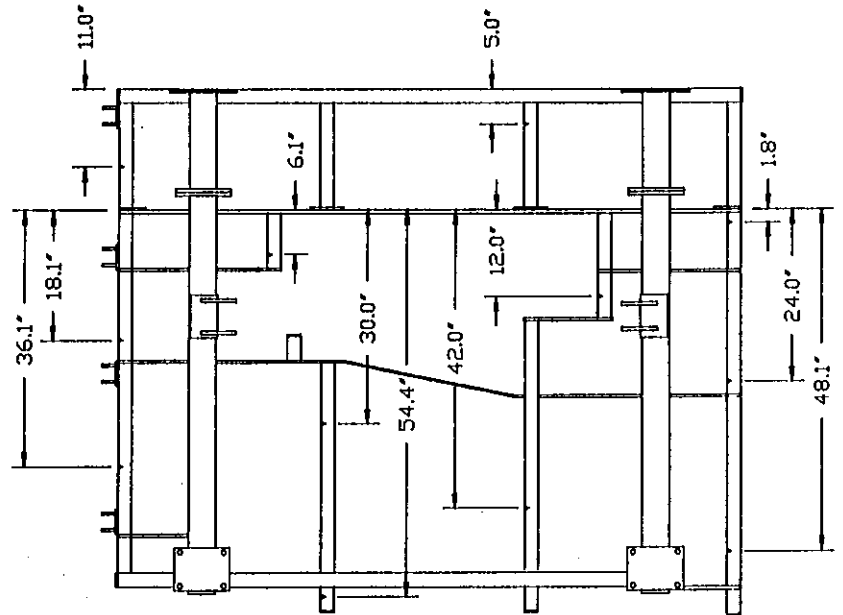
V-2250 ESPACEMENT AU 4"



V-2250 ESPACEMENT AU 6"



V-2250 E PACEMENT AU 6"





spare parts list pièces détachées

P 2250T

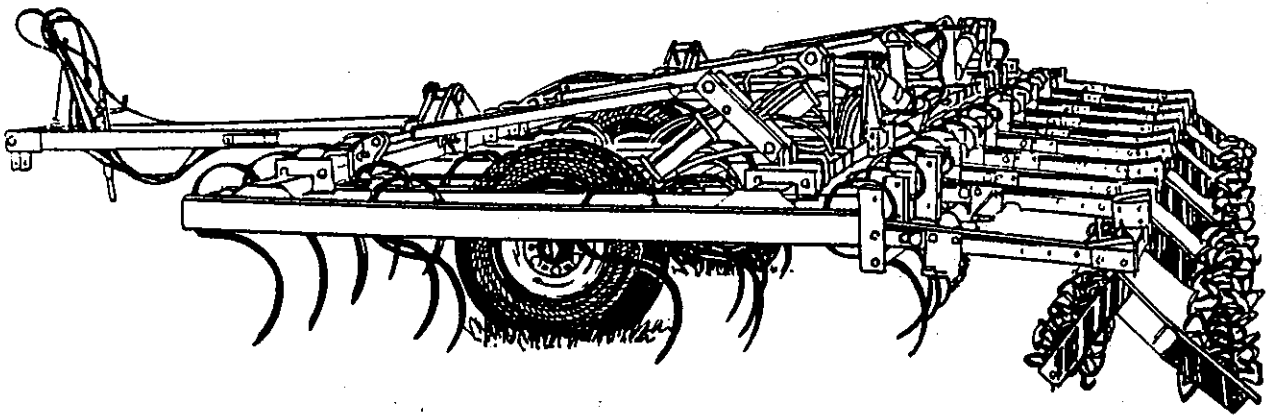
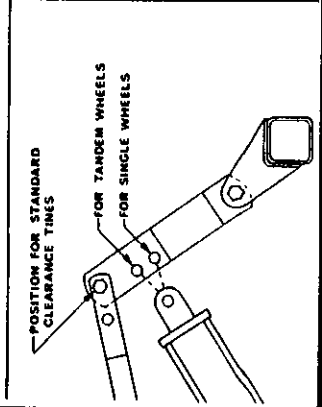
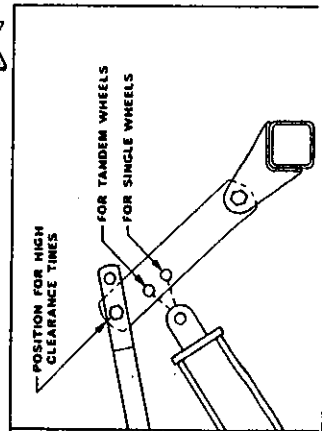
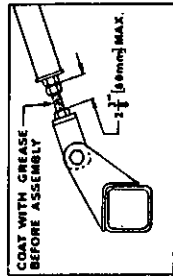
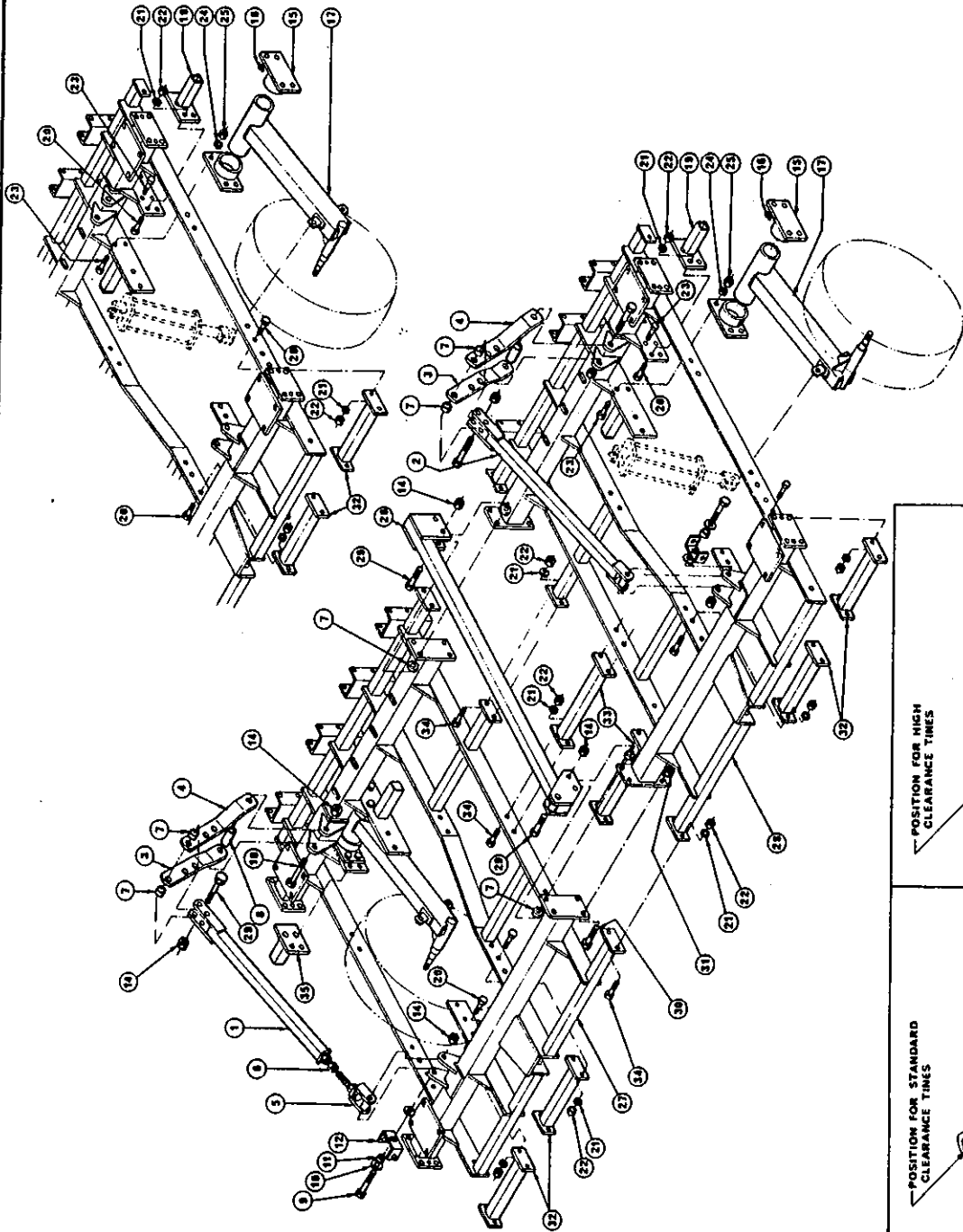


TABLE OF CONTENTS

	Page
CENTER SECTION - MODELS FC2500T - 17.8 & 20.4	1
CENTER SECTION EXTENSION - MODELS FC2500T - 23.0 & 25.8	2
MODEL FC2500T - 17.8	3
MODEL FC2500T - 20.4	4
MODEL FC2500T - 23.0 & 25.8	5
MODEL FC2500T - 24.4	6
DRAWBAR ASSEMBLY	7
HYDRAULIC WING LIFT ASSEMBLY	8
HYDRAULIC WHEEL LIFT ASSEMBLY	9
TINES	10
SHARES	11
WHEEL ASSEMBLY	12
HYDRAULIC CYLINDERS - WING LIFT	13
HYDRAULIC CYLINDERS - WHEEL LIFT	14, 15
OPTIONAL EQUIPMENT	
TANDEM WHEEL ASSEMBLY	16
DOUBLE ROLLING HARROWS	17
LEVELLING PLANKS	18
THREE BAR FINGER HARROWS	19

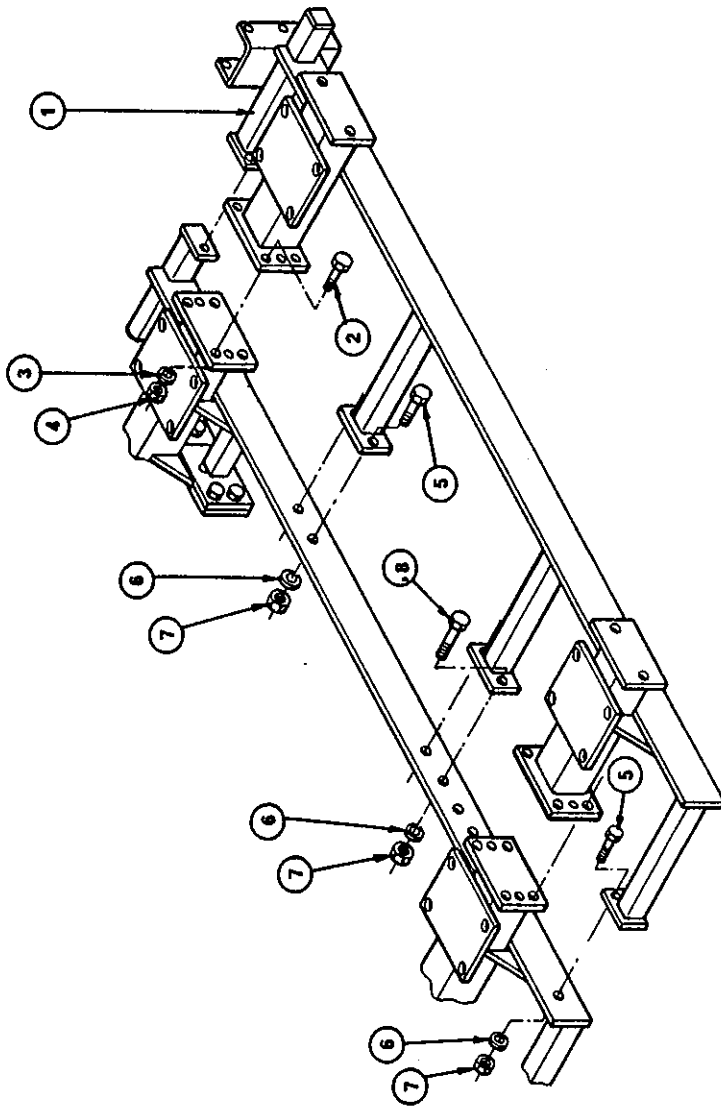
CENTRE SECTION ASSEMBLY

PART NO.	DESCRIPTION	
1	59210891	1
2	59210893	1
3	59250303	2
4	59250304	2
5	59310892	1
6	30571920	1
7	59340223	12
8	59340224	2
9	30270931	2
10	31461925	2
11	59340303	4
12	59250602	2
13	59410946	2
14	30573920	1
15	59210202	10
16	41701101	4
17	59210885	4
18	30270938	2
19	59410857	2
20	30271445	2
21	31467400	1
22	30561400	20
23	30271928	34
24	31467900	34
25	30561900	16
26	59410866	16
27	50290278	1
28	50290277	1
29	30270935	1
30	30271913	6
31	30573910	4
32	59410863	4
33	59410865	4
34	30271440	2



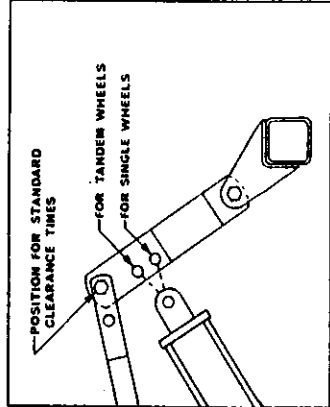
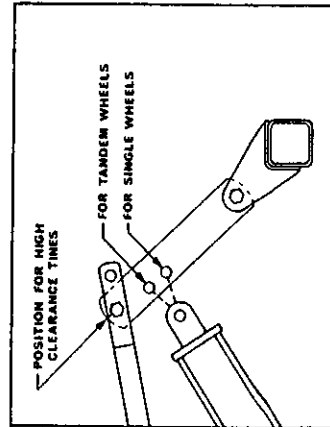
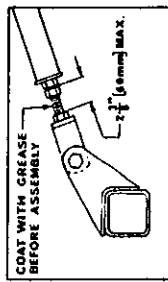
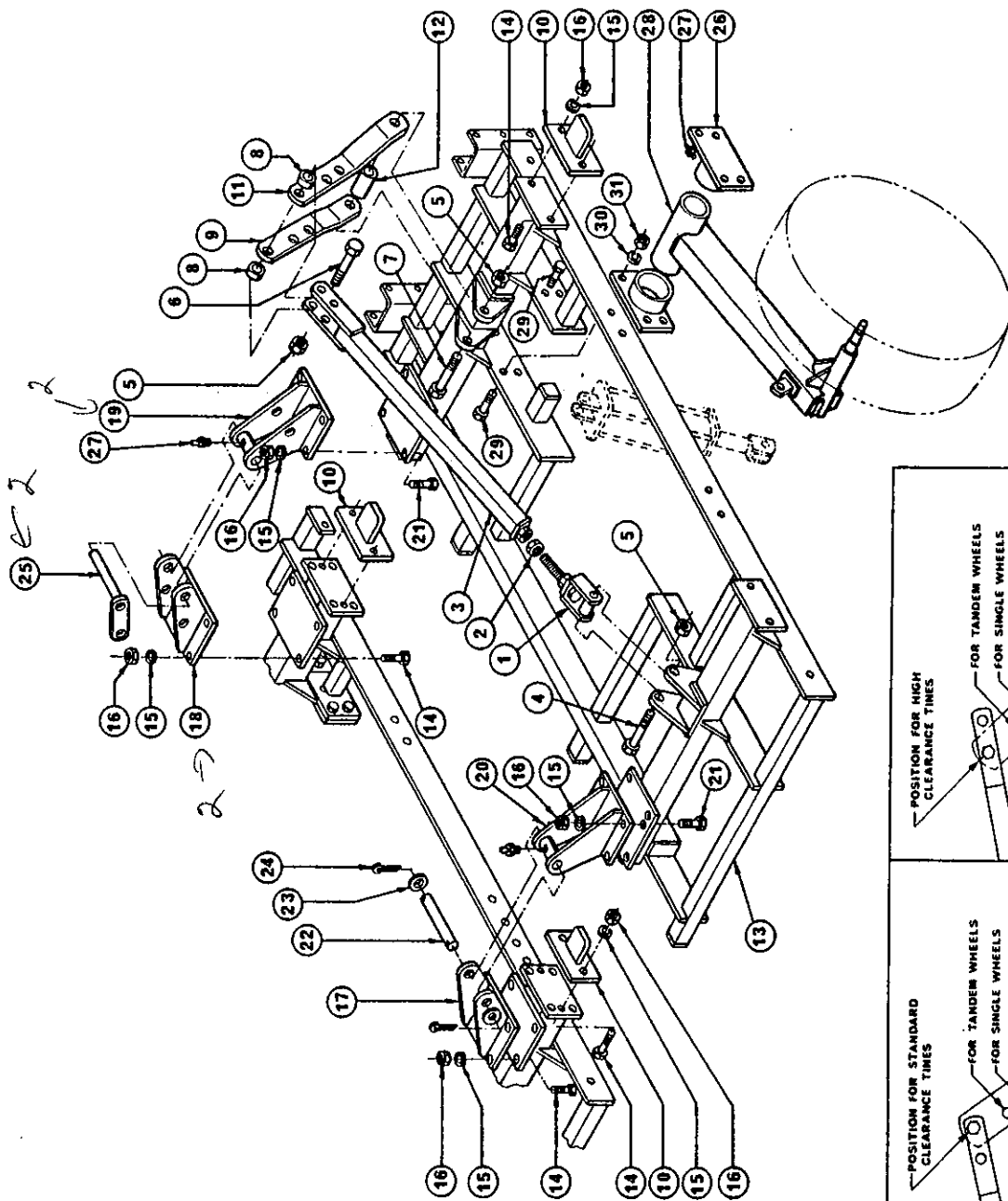
CENTER SECTION EXTENSION

PART NO.	DESCRIPTION	
1	50290279 L.H. (shown)	1
2	50290280 R.H.	1
3	30271913 8.8-N20x50	16
4	31467910 20	16
5	30561910 8-N20	16
6	30271445 8.8-M16x45	10
7	31467400 8-M16	12
8	30271455 8.8-M16x55	2



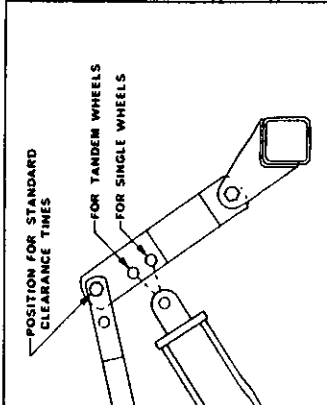
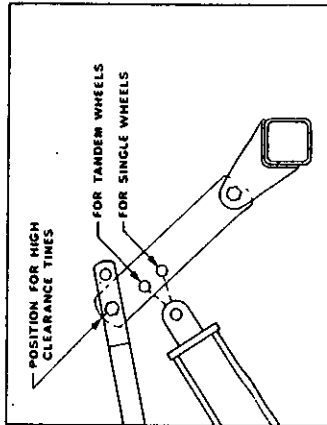
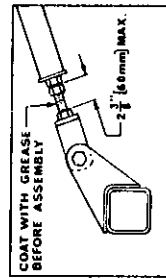
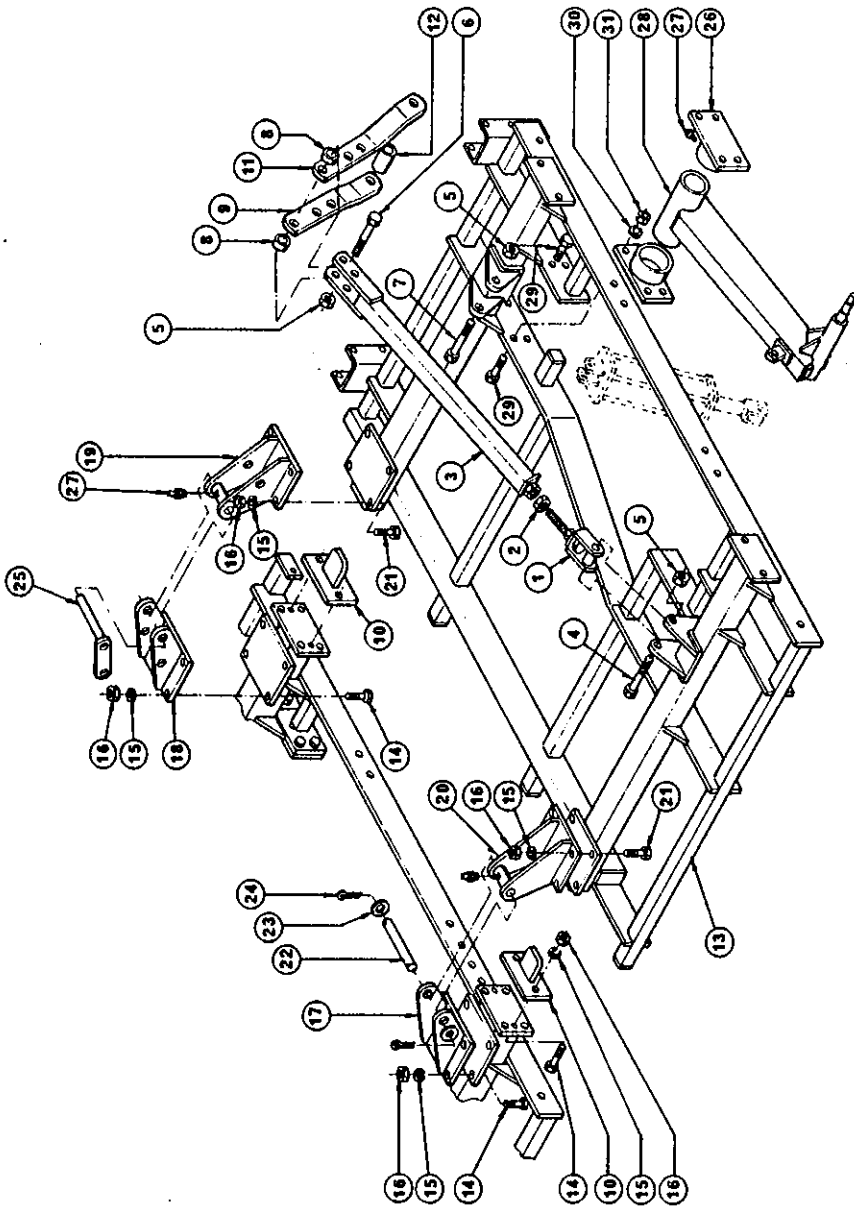
MODEL FC2500T - 17.8

PART NO.	DESCRIPTION	
1	59310892	2
2	30571920	2
3	59210891	2
4	30270937	2
5	30270935	2
6	30270930	2
7	30270938	2
8	59340223	4
9	59250303	2
10	59410886	2
11	59250304	6
12	59340224	2
13	50290283	2
14	30271445	1
15	31467400	1
16	30561400	28
17	59410860	44
18	59410861	44
19	59410858	2
20	59410859	2
21	30271440	2
22	59390319	16
23	31461942	2
24	30851650	4
25	59310888	4
26	59210202	2
27	41701101	4
28	59210885	8
29	30271928	2
30	31467900	8
31	30561900	16
	8-ML8	16
	8-M24	2
	8.8-M24x140	2
	8-VM24 (Locknut)	2
	8.8-M24x110	2
	8.8-M24x160	2
	R.H.	4
	L.H.	2
	L.H. (shown)	2
	R.H.	6
	8.8-M16x45	1
	16	1
	8.8-M16	28
	8.8-M16x40	44
	34	2
	6x50	2
	.25	4
	8.8-M18x50	4
	18	4
	8-ML8	8
	18	2
	8-ML8	16
	8-ML8	16



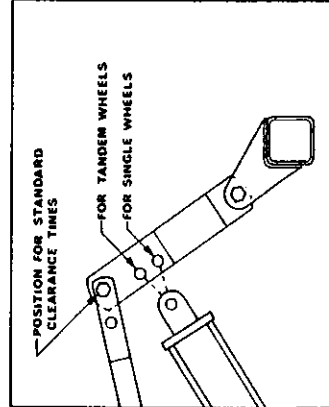
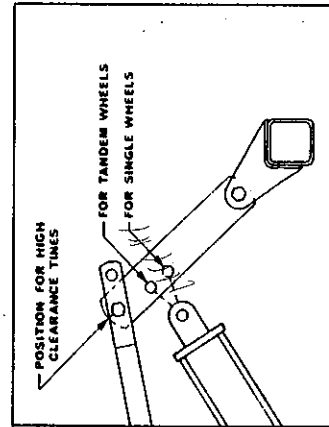
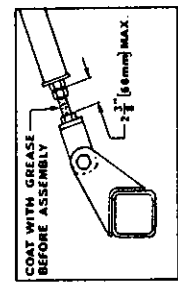
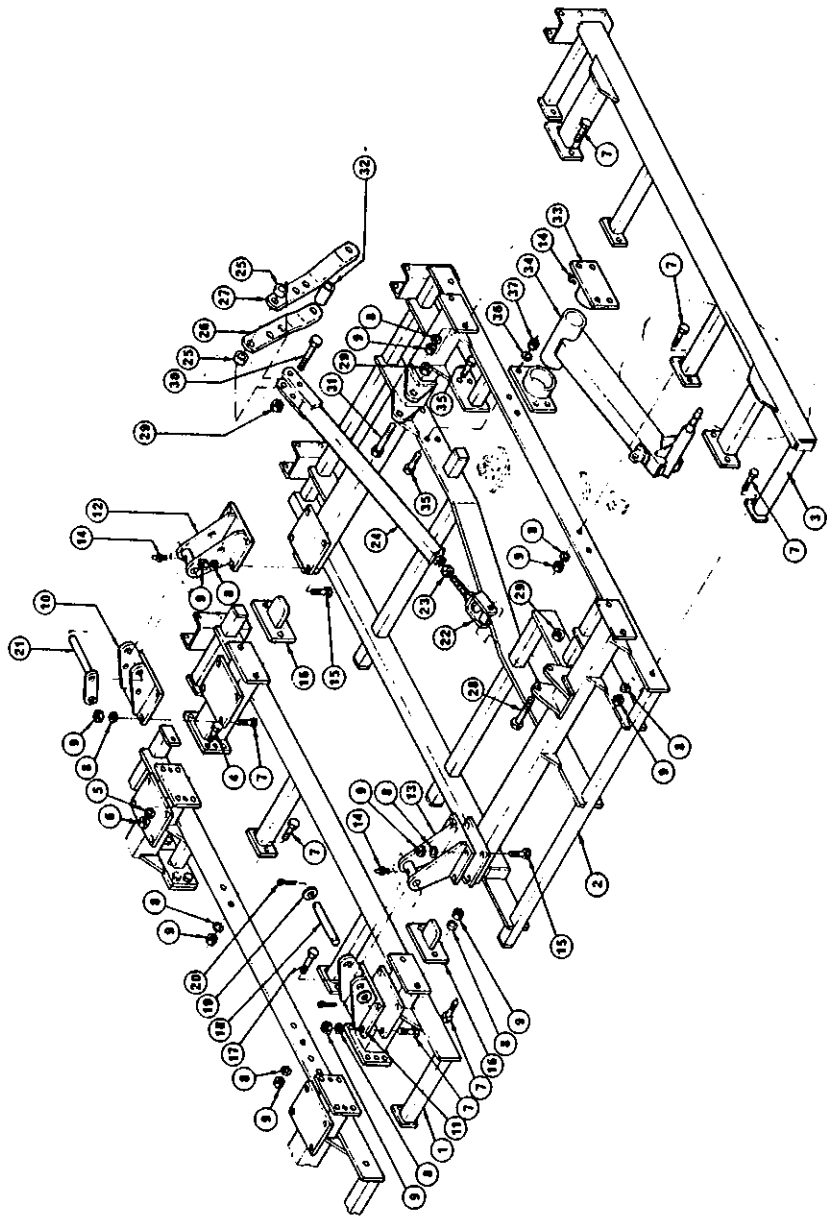
MODEL FC2500T - 20.4

PART NO.	DESCRIPTION	
1	59310892	2
2	30571920	2
3	59210891	2
4	30270937	2
5	30573920	6
6	30270935	2
7	30270938	2
8	59340223	4
9	59250303	2
10	59410886	2
11	59250304	4
12	59340224	2
13	50290281	1
14	30271445	1
15	31467400	24
16	30561400	40
17	59410860	2
18	59410861	2
19	59410858	2
20	59410859	2
21	30271440	16
22	59350319	2
23	31461942	4
24	30851650	4
25	59310888	2
26	59210202	2
27	41701101	4
28	59210885	6
29	30271928	2
30	31467900	16
31	30561900	16
	8-M18	16
	8-M24	
	8.8-M24x140	
	8-VM24(locknut)	
	8.8-M24x110	
	8.8-M24x160	
	R.H.	
	L.H.	
	L.H. (shown)	
	R.H.	
	8.8-M16x45	
	16	
	8.8-M16	
	8.8-M16x40	
	34	
	6X50	
	.25	
	8.8-M18x50	
	18	
	8-M18	



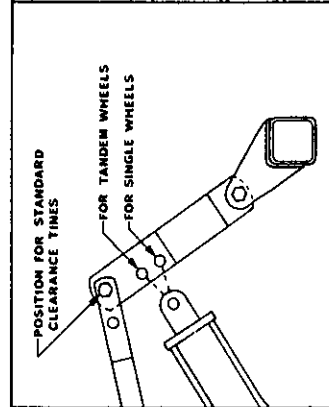
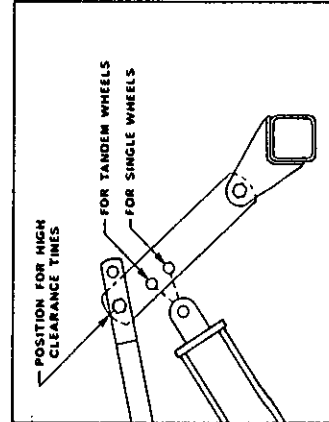
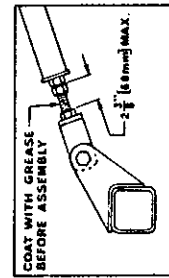
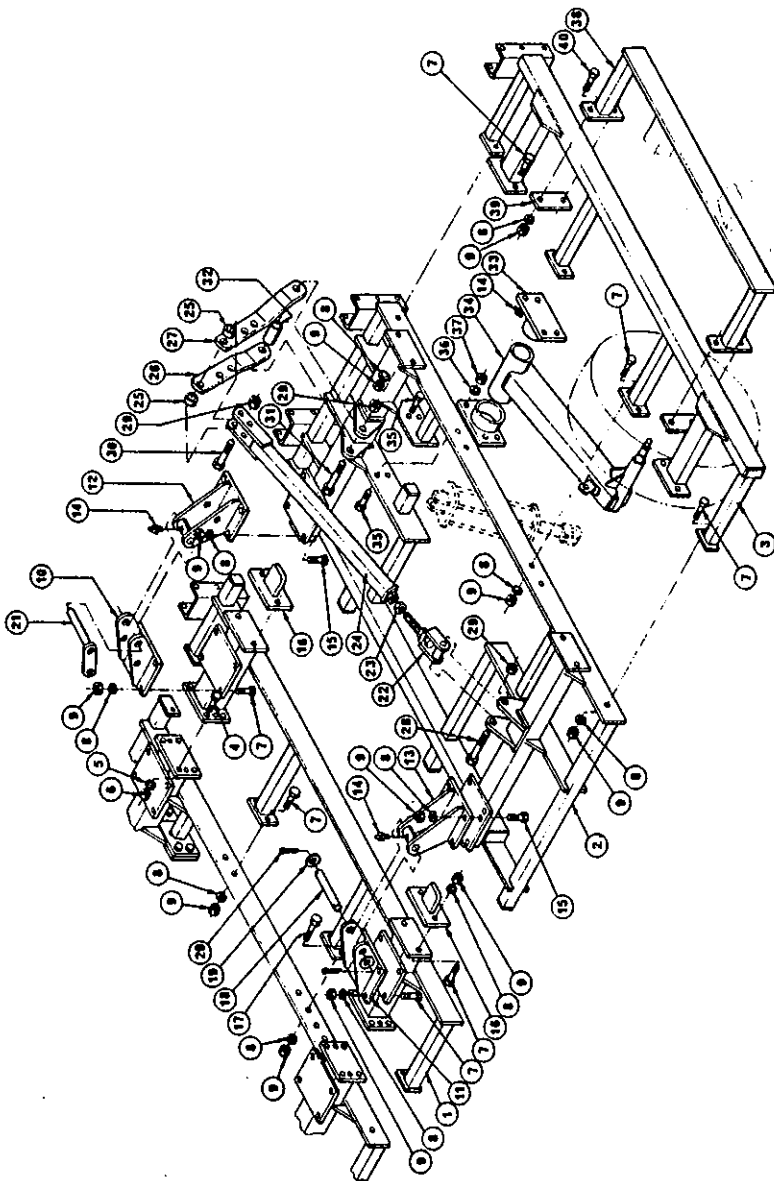
MODEL RC2500T - 23.0 & 25.8

PART NO.	DESCRIPTION	
1	50290279 L.H. (shown)	1
2	50290280 R.H.	1
3	50290281 L.H. (shown)	1
4	50290282 R.H. (shown)	1
5	59410209 L.H. (shown)	1
6	59410210 R.H.	1
7	30271913 8.8-M20x50	16
8	31467910 8-M20	16
9	30561910 8-M20	16
10	30271445 8.8-M16x45	54
11	31467400 16	72
12	59410861 8.8-M16	72
13	59410860 16	2
14	59410858 16	2
15	59410859 16	2
16	41701101 8.8-M16x40	8
17	30271440 8.8-M16x40	16
18	59410886 8.8-M16x55	4
19	59350319 8.8-M16x55	2
20	31461942 34	2
21	30851650 6x50	4
22	59310888 8-M24	4
23	59310892 8-M24	2
24	30571920 8-M24	2
25	59210891 8-M24	2
26	59340223 8-M24	4
27	59250303 R.H.	2
28	59250304 L.H.	2
29	30270937 8.8-M24x140	2
30	30573920 8-VW24 (locknut)	6
31	30270935 8.8-M24x110	2
32	30270938 8.8-M24x160	2
33	59340224 8.8-M24x160	2
34	59210202 8.8-M18x50	4
35	59210885 8.8-M18x50	2
36	30271928 18	16
37	30561900 8-M18	16



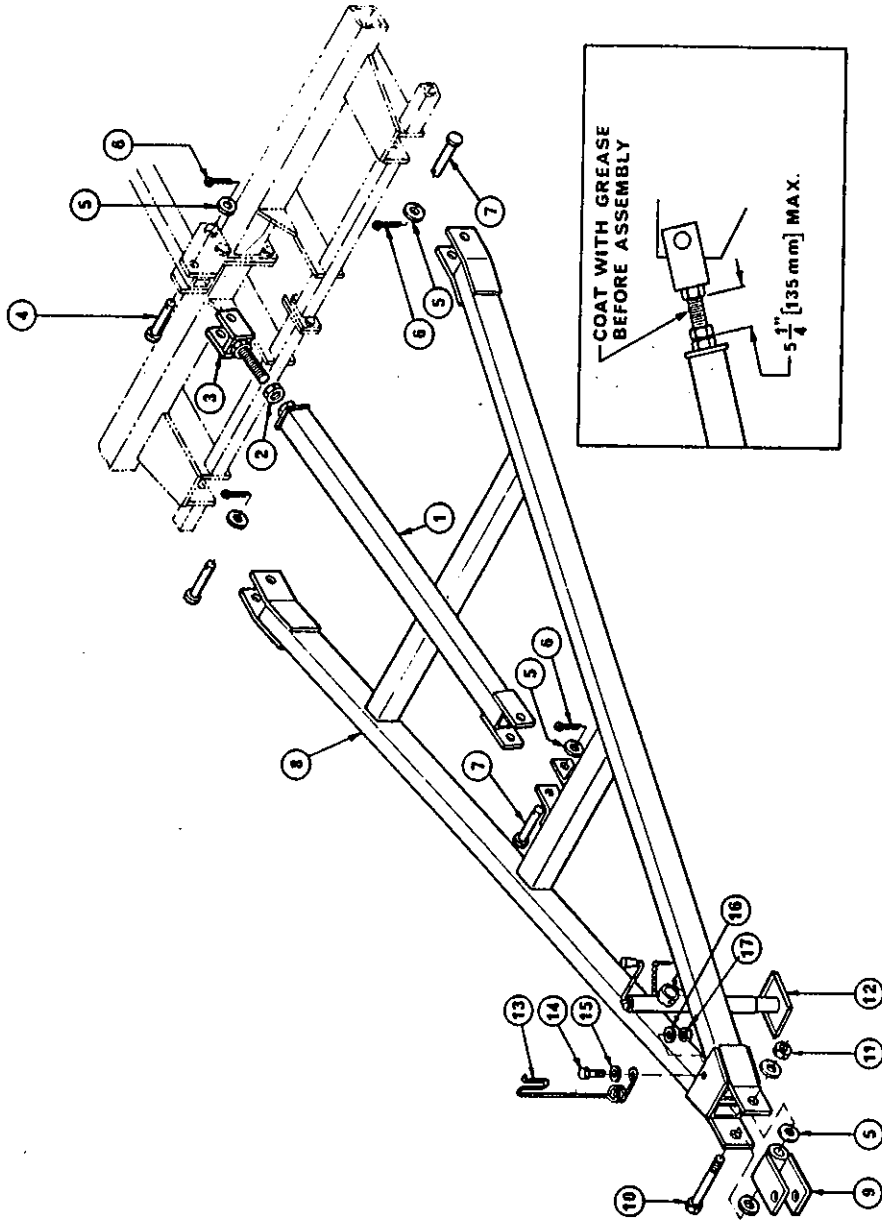
MODEL FC2500T - 24.4

PART NO.	DESCRIPTION	
1	L.H. (shown)	1
50290279	R.H.	1
50290280	L.H. (shown)	1
50290283	R.H.	1
50290284	L.H. (shown)	1
59410209	R.H.	1
59410210	8.8-M20x50	16
30271913	20	16
31467910	8-M20	16
30561910	8.8-M16x45	54
30271445	16	60
31467400	8.8-M16	80
30561400		2
59410861		2
59410860		2
59410858		2
59410859		2
41701101		8
30271440	8.8-M16x40	16
59410886		4
30271455	8.8-M16x55	2
59350319		2
31461942	34	2
30851650	6x50	4
59310888		2
59310892		2
30571920	8-M24	2
59210891		2
59340223		4
59250303	R.H.	2
59250304	L.H.	2
30270937	8.8-M24x140	2
30573920	8-VM24 (Locknut)	6
30270935	8.8-M24x110	2
30270938	8.8-M24x160	2
59340224		2
59210202		4
59210885		4
30271928	8.8-M18x50	16
31467900	16	16
30561900	8-M18	16
59410867		2
59450396	8.8-M16x90	4
		8



DRAWBAR ASSEMBLY

PART NO.	DESCRIPTION	
1	59410900	1
2	30571955 M36	1
3	59310901	1
4	30867066 1-1.25x5.0	1
5	31461940 31	7
6	30851640 6x40	4
7	30867048 1-1.25x6.0	3
8	50290287	1
9	59410338	1
10	30279212 8-1.125x8.0	1
11	30564809 1.125	1
12	59380668	1
13	59280668	1
14	30271450 8.8-M16x50	1
15	31461400 17	1
16	31467400 16	1
17	30561400 8-M16	1



HYDRAULIC WING LIFT ASSEMBLY

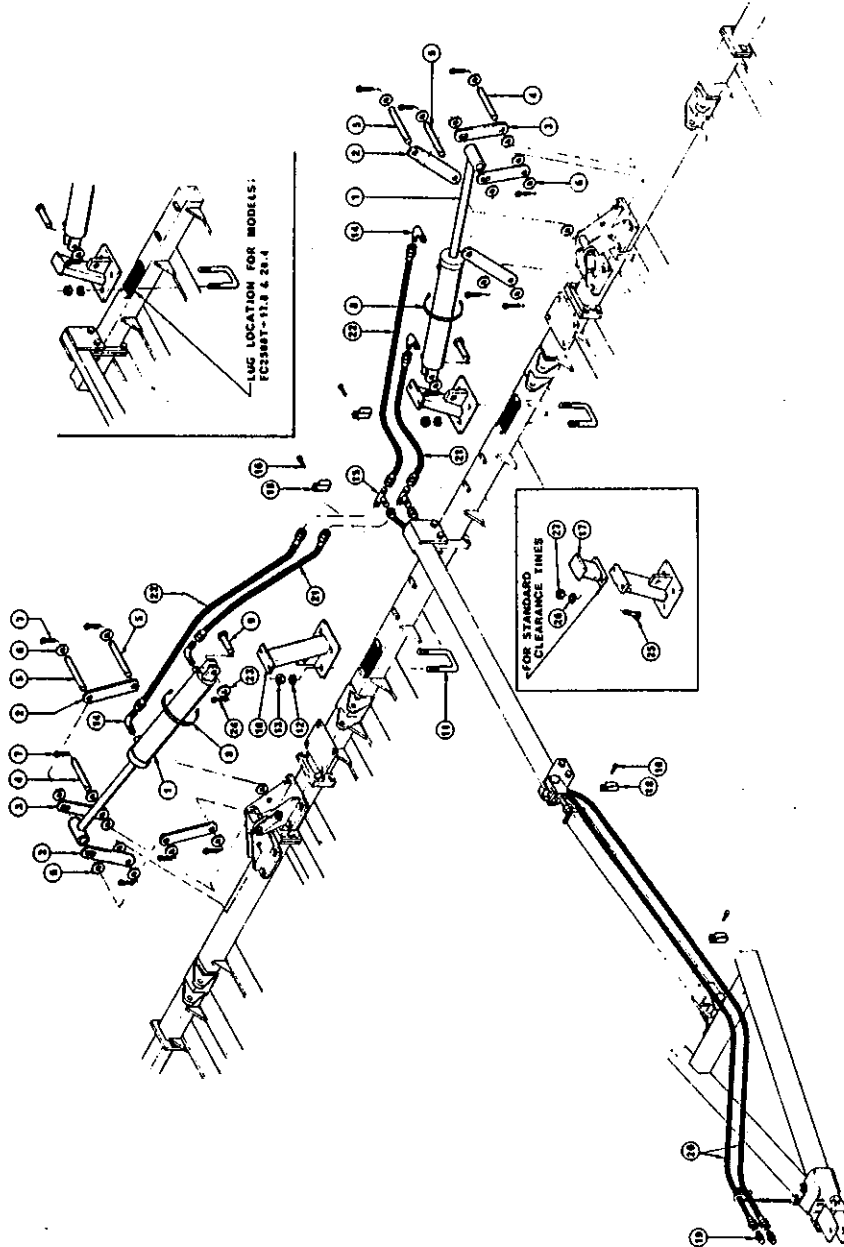
PART NO.	DESCRIPTION	
1	59282334	2
2	59250305	4
3	59250311	4
4	59350319	2
5	59350318	4
6	31461942	22
7	30851650	12
8	80504103	2
9	30867039	2
10	59210887	2
11	59340084	4
12	31467400	8
13	30589100	8
14	38621238	4
15	38622016	2
16	30392020	-
17	59210932	2
18	59382381	-
19	38622410	2
23	31461928	2
24	30851540	2
25	30271440	4
26	31467400	4
27	30561400	4
	-562-50NPT (Mx2)	
	-562-18 (Mx3)	
	-.25x.75	
	-562-50NPT (Mx2)	
	28	
	8.8-M16x40	
	16	
	8.8-M16	

HYDRAULIC HOSES - FC2500T - 17.8 & 20.4

PART NO.	DESCRIPTION	
20	50282369	2
21	50280781	2
22	50282370	2

HYDRAULIC HOSES - FC2500T - 23.0 & 25.8

PART NO.	DESCRIPTION	
20	50282369	2
21	50280829	2
22	50282371	2



WHEEL LIFT ASSEMBLY

PART NO.	DESCRIPTION	
1	59210980	2
2	59380008	2
3	30271835	4
4	59350856	4
5	59250858	4
7	59210923	2
8	59210924	1
9	30867043	1
10	59340302	2
11	59380690	2
12	30572800	12
13	59280687	4
14	59280688	1
15	59280796	1
16	59282333	1
17	38622405	2
18	38621231	2
19	38621294	6
20	59280689	2
21	30392020	6
22	59382380	2
23	30851540	2
24	38622404	2

8-VMB
108x203 574.92
102x203 541.22
95x203 341.22
89x203 285.73
.75-16 (Mx2)
.75-16 (Mx2)
.250x.75
5x40
.75-16-.50NPT (Mx2)

HYDRAULIC HOSES - FC2500T - 17.8

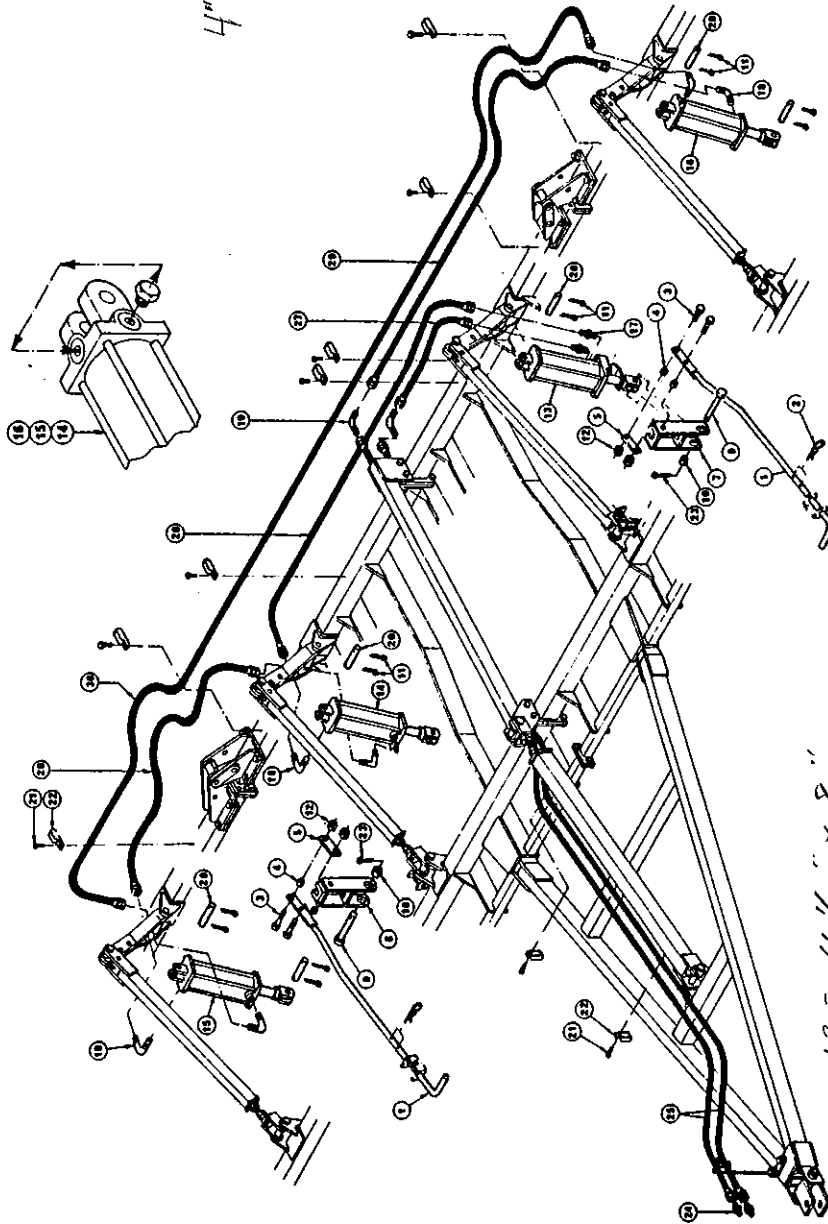
PART NO.	DESCRIPTION	
25	50282377	2
26	50282536	1
27	50282535	1
28	50281650	1
29	50281308	1
30	50282603	1

HYDRAULIC HOSES - FC2500T - 20.4

PART NO.	DESCRIPTION	
25	50282377	2
26	50282536	1
27	50282535	1
28	50281309	1
29	50282374	1
30	50282602	1

HYDRAULIC HOSES - FC2500T - 23.0 & 25.8

PART NO.	DESCRIPTION	
25	50282377	2
26	50282536	1
27	50282535	1
28	50282372	1
29	50282376	1
30	50282601	1



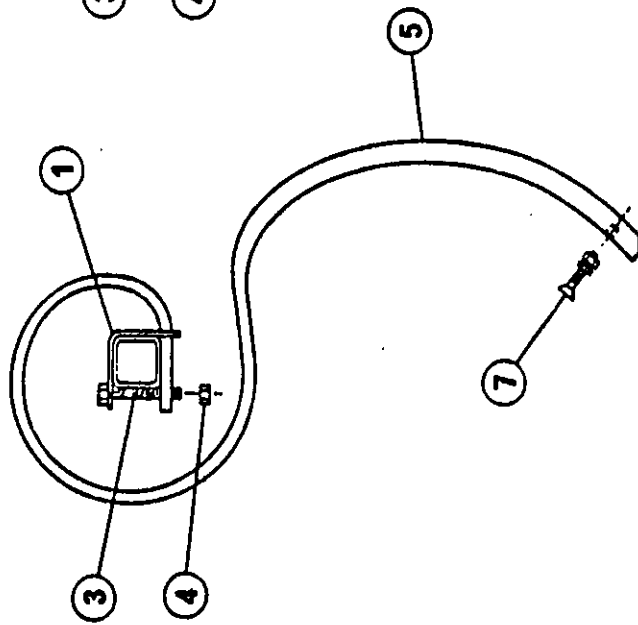
4" 3.75
3.5

13 = 4 1/4" x 8"
14 = 4" x 8"
15 = 3 3/4" x 8"
16 = 3 1/2" x 8"

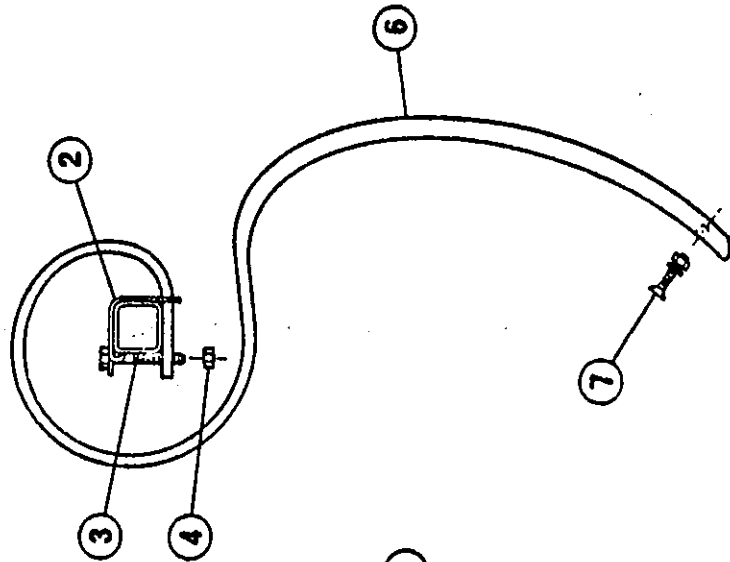
TURNS

PART NO.	DESCRIPTION
1	12x32mm
2	59263127
3	59263128
4	30279091
5	30564800
6	59280675
7	59280676
	10mmx3.2mm S.C.
	12mmx3.2mm H.C.
	12mmx3.8mm H.C.
	12mmx4.5mm H.C.
	.375
	.438

STANDARD CLEARANCE

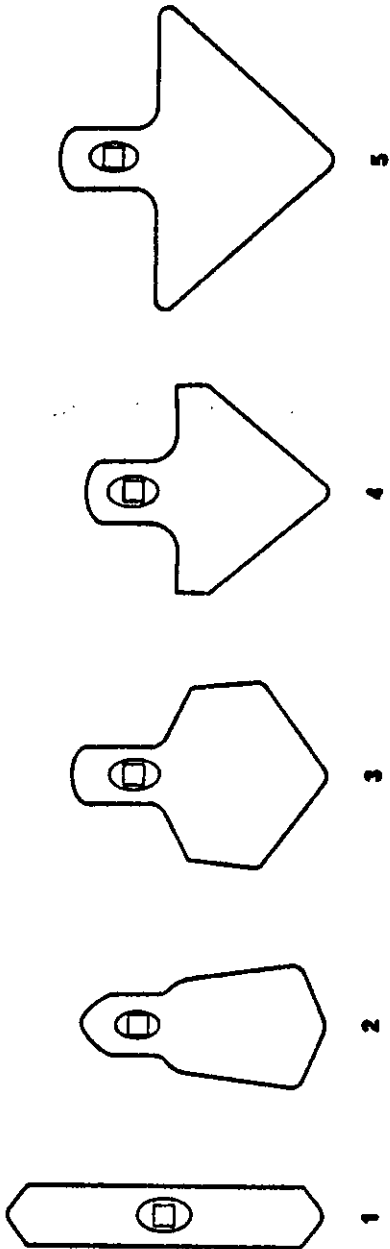


HIGH CLEARANCE

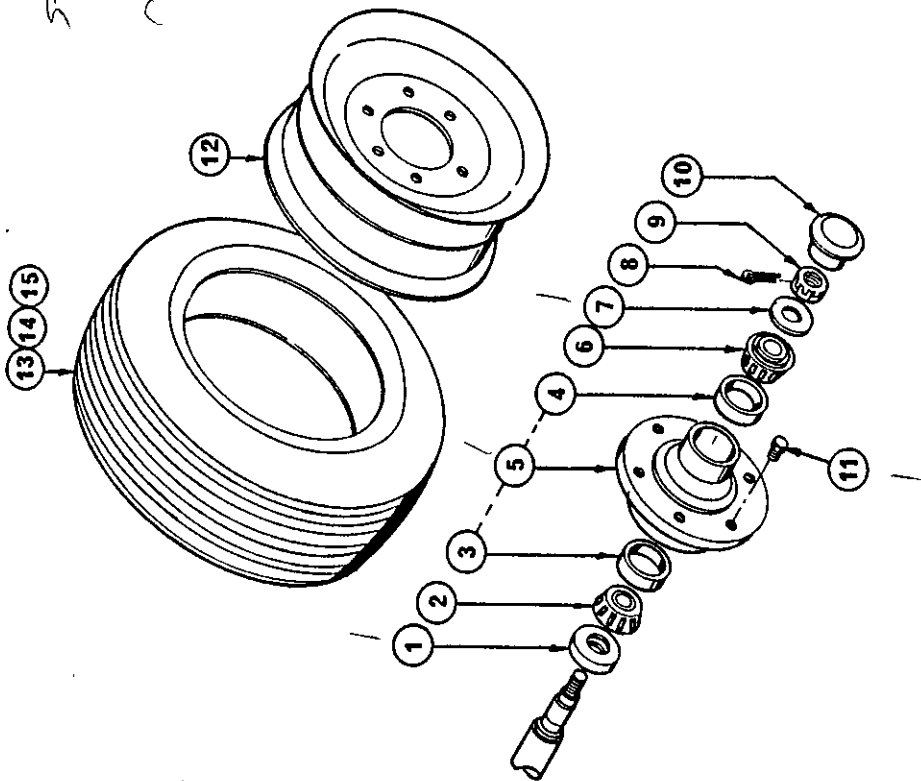


SHARES

PART NO.	DESCRIPTION
1	59280693 1.375(35mm) x .25(6.25mm)
2	59280694 1.500(40mm) x .25(6.25mm)
3	59280695 2.750(70mm) x .18(4.75mm)
4	59280696 2.750(70mm) x .25(6.25mm)
5	59280697 4.00(101mm) x .18(4.75mm)
	59280698 4.00(101mm) x .25(6.25mm)
	59280699 7.00(178mm) x .18(4.75mm)
	59280700 Grass Share



section du centre
 chassis: 7.60 x 15
 rims: 15 x 6-6
 hub: H-4000
 (51503)



WHEEL AND TIRE ASSEMBLY

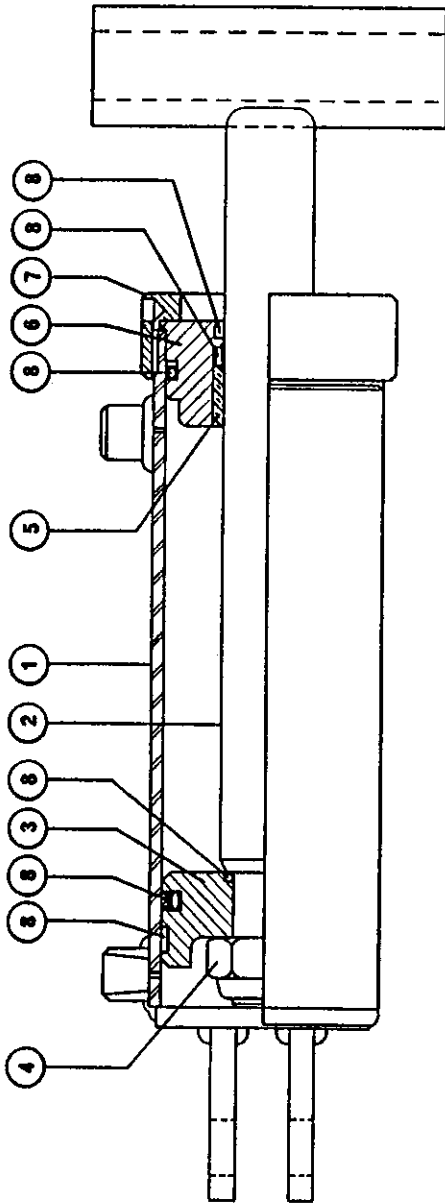
PART NO.	DESCRIPTION	
1	57860449	1
2	40125004	1
3	40126003	1
4	40126002	1
5	59480701 c/w 344	1
6	40125001	1
7	31461951	1
8	30851923	1
9	30557100 .188x1.25 .875-14	1
10	59480407	1
11	30250001 .500-20x1.00	1
12	59980702 (single) 15x8	6
13	59980859 (tandem)	1
14	57882322 (single) 9.5L-15	1
15	59280860 (tandem) 7.6L-15	1
16	57880860 (single)	1
17	59280861 (tandem)	1
18	57880704	1

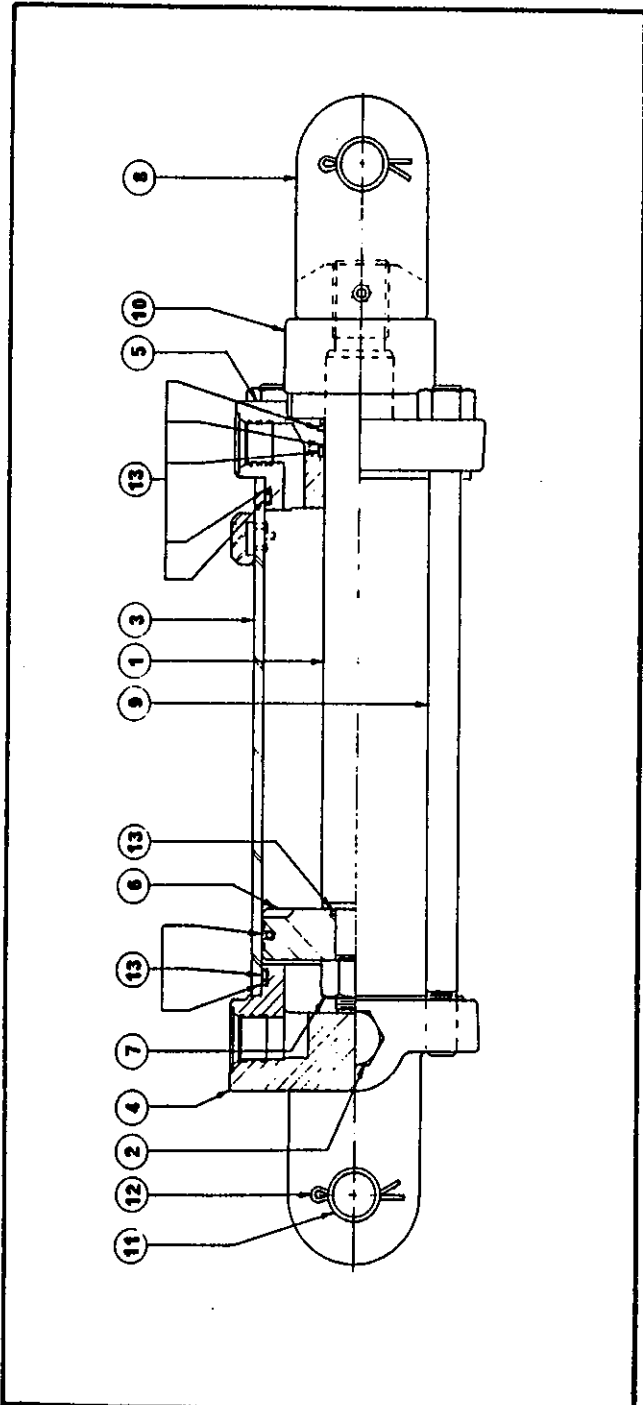
TIRE WITH TUBE

PART NO.	DESCRIPTION	
16	59280860 7.60-15	1
17	57882322 9.5L-15	1
18	59280861 7.60-15	1
19	57880860 9.5L-15	1
20	57880704	1

HYDRAULIC CYLINDER

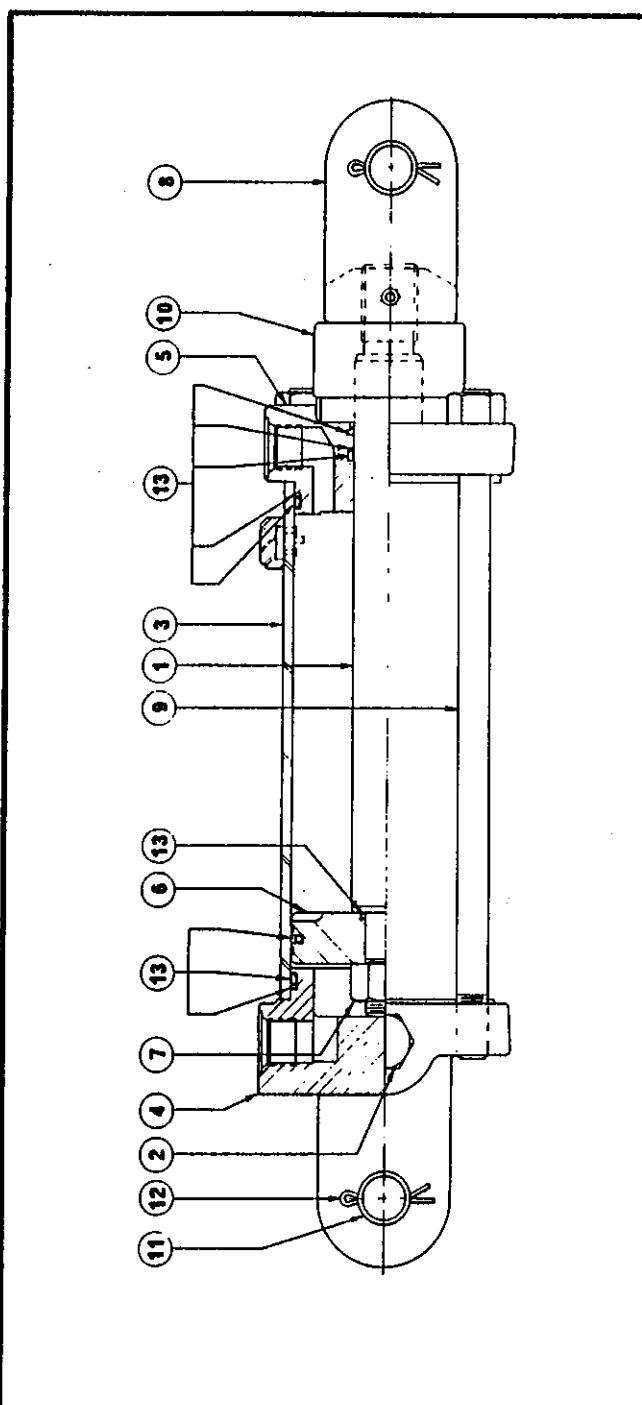
PART NO.	DESCRIPTION	
1	59282334	1
2	59280997	1
3	50282421	1
4	50280740	1
5	50280745	1
6	50280999	1
7	50281000	1
8	50280744	1
	57881001 Seal Kit	1





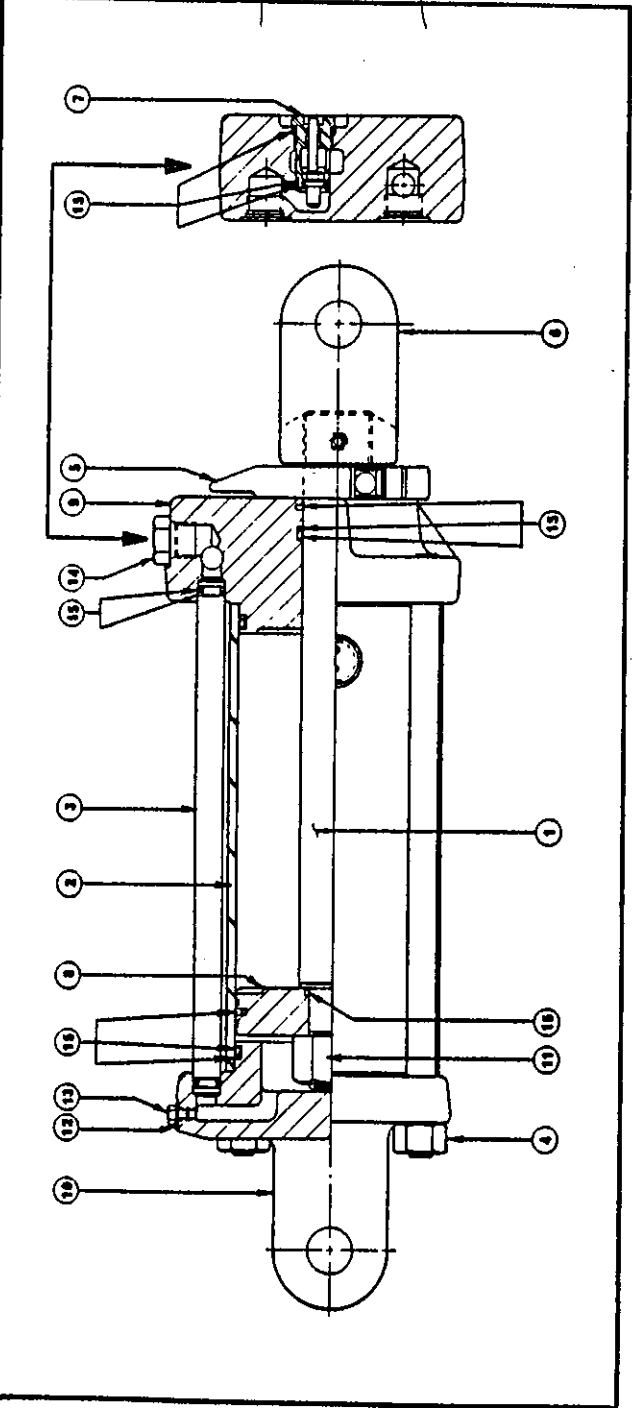
HYDRAULIC CYLINDER (AA-33)

PART NO.	DESCRIPTION	
59280796	954203	1
50280729		1
50280727		1
59280808		1
59280809		1
50280810		1
50280811		1
50280734		1
59280735	<i>Roller</i>	1
59280717		1
59280736		4
59280689		1
59380690		2
57880812	Seal Kit	4
		1



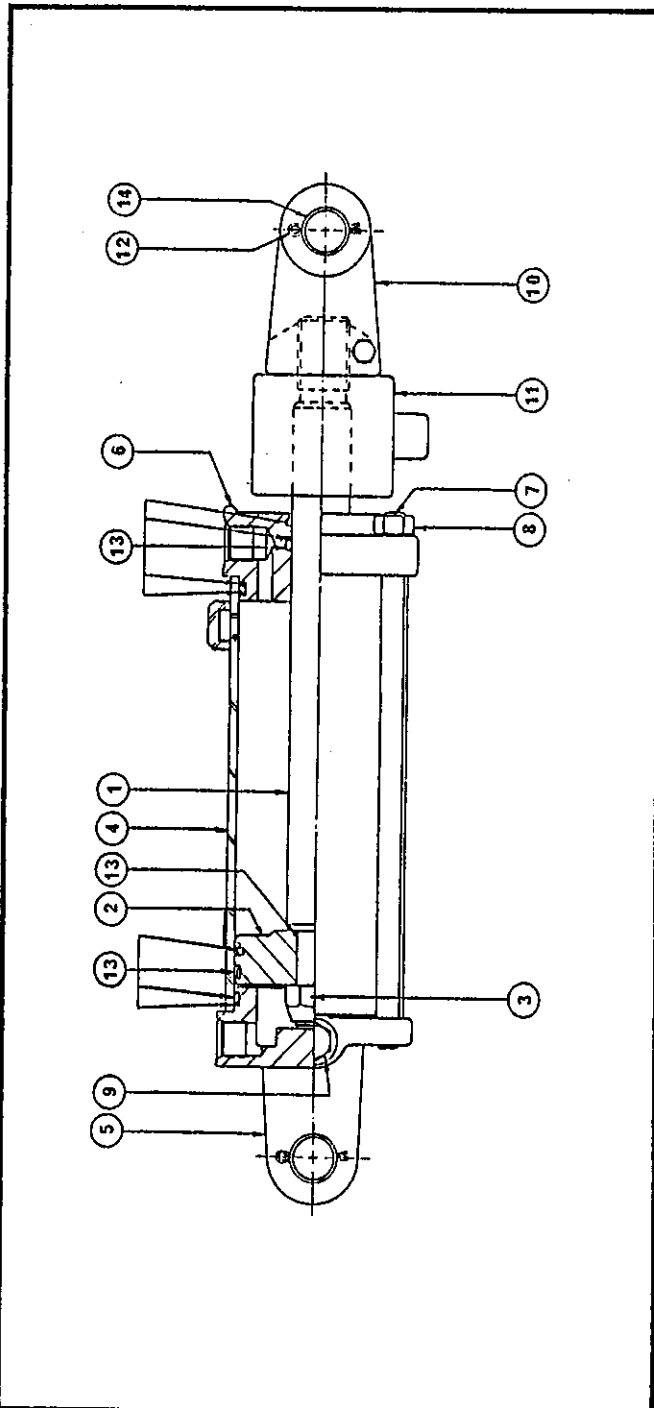
HYDRAULIC CYLINDER (AA-480)

PART NO.	DESCRIPTION	
59280688	102x203	1
50280729		1
50280727		1
59280730		1
59280731		1
59280732		1
50280733		1
50280734		1
59280735		1
59280717		1
59280736		4
59280689		2
59380690		4
57880739	Seal Kit	1



HYDRAULIC CYLINDER (AA-35)

PART NO.	DESCRIPTION	
59280687	108x203	1
50280714		1
50280715		1
50280716		1
59280717		4
59280718		1
59280719		1
59280720		1
50280721		1
59280722		1
59280723		1
50280724		1
57880725		1
50280726		1
50280727		1
57880728	Seal Kit	1



HYDRAULIC CYLINDER (AD-265)

PART NO.	DESCRIPTION	
59282333	89x203	1
50282410		1
50282411		1
50280734		1
59282412		1
59282413		1
59282414		1
59282415		4
59282416		4
50280727		1
59282417		1
59282418		1
59380690	Seal Kit	4
57882420		1
59280689		2

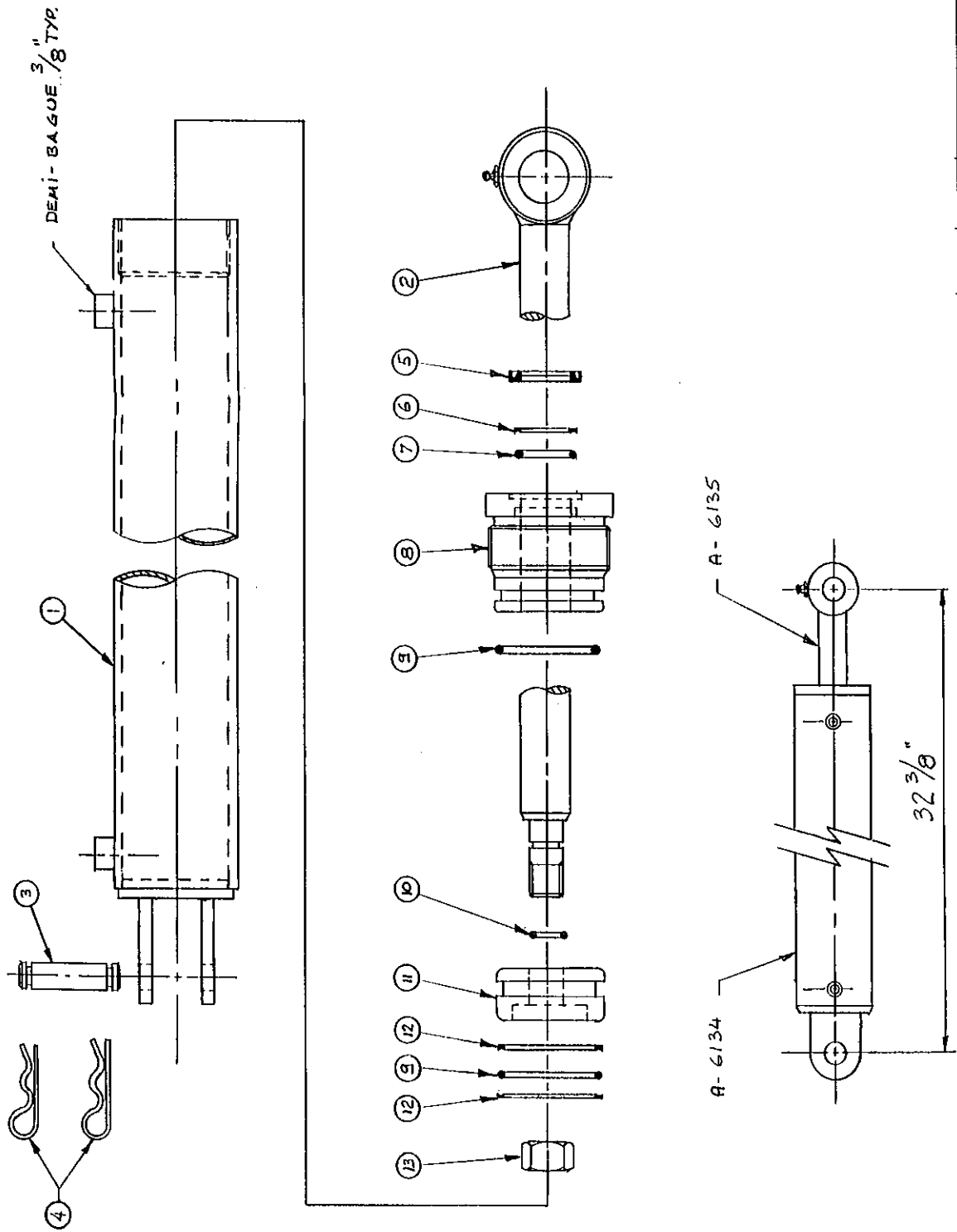
LES MACHINERIES PRONOVOST INC

No.	Ref.	Description	Qte.
1	A-6134	CYLINDRE	1
2	A-6135	TIGE ET MAIN	2
3	6005-1	PIVOTE	1
4	6P132-H	CLIPS 1/8"	2
5	12K-172-90	OIL SEAL (WIPER) 3/16" x 1 3/4" x 2 1/4"	1
6	B-224	BACK-UP 1/8" x 1 3/4" x 2"	1
7	O-224	O-RING 1/8" x 1 3/4" x 2"	1
8	6052	TÊTE	1
9	O-342	O-RING 3/16" x 3 5/8" x 4"	2
10	O-024	O-RING 1/2" x 1 1/8" x 1 1/4"	1
11	6053	PISTON	1
12	B-342	BACK-UP 3/16" x 3 5/8" x 4"	2
13	—	ÉCROU 1/4" - 12 RF	1

Postes	No. Gab.	Qte. Fabriquer.	Code Insp. Per
ASS.			1
ASS. SUIVANT			—

Tolerances non spécifiées
 - Troux ± 1/32"
 - Angles ± 1°
 - Finitions ± 1/16"
 - Déformés ± 0.05"

Partie de l'ensemble
 Dessinée par **FN**
 Echelle **—**
 Date **25-03-53**
 Vérifié par **—**
 Module **VÉRIN**
40 C 20
 No. de commande
 Qte. à produire
 No. de dessin **B-6053**

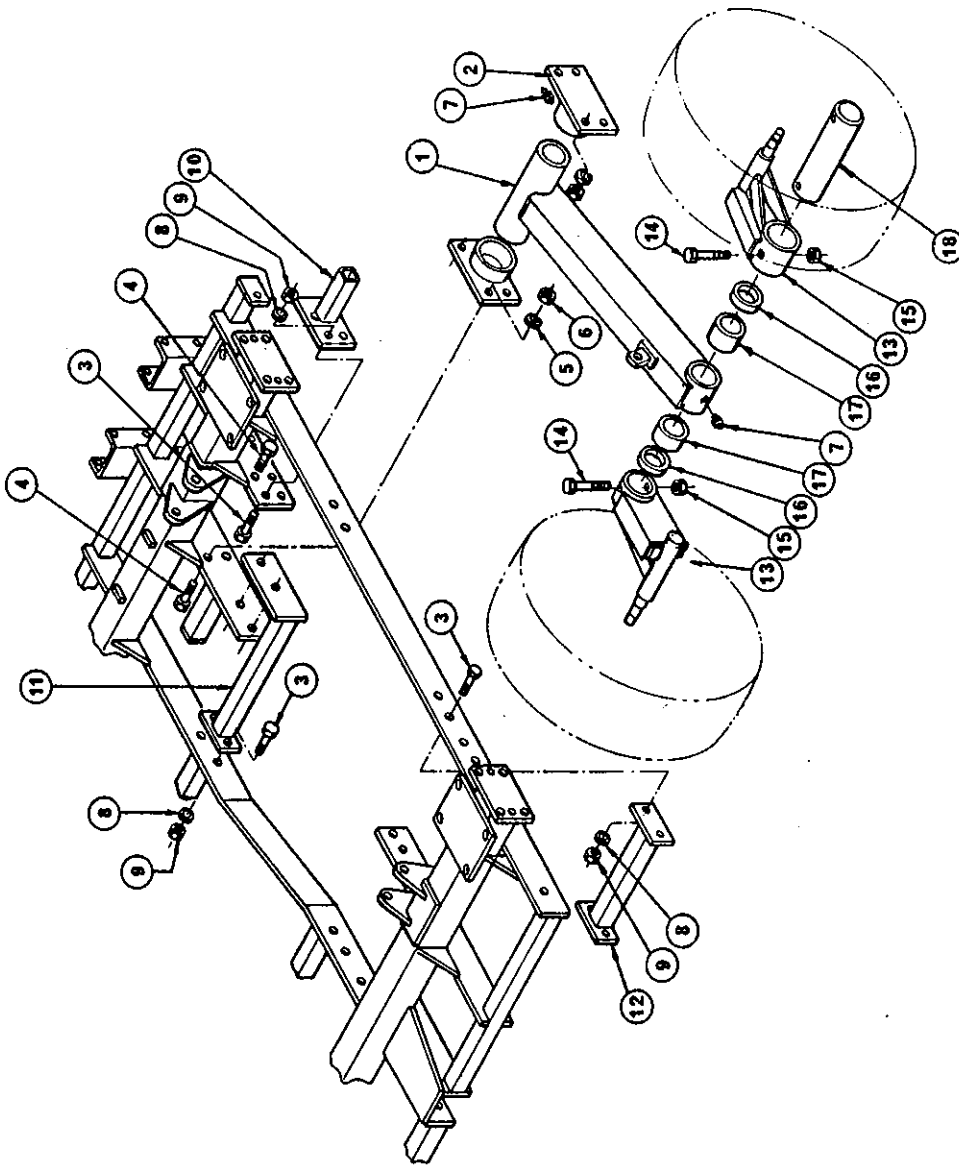


Revision	Date	Description
△		

TANDEM WHEEL ASSEMBLY

PART NO.	DESCRIPTION	
1	59210889	2
2	59210202	4
3	30271445	20
4	30271928	16
5	31467900	16
6	30561900	16
7	41701101	6
8	31467400	20
9	30561400	20
10	59410857	2
11	59410864	2
12	59410863	2
13	59210890	4
14	30270908	4
15	30573910	4
16	50282328	4
17	57870246	4
18	59350302	2

* Secure with retaining compound.

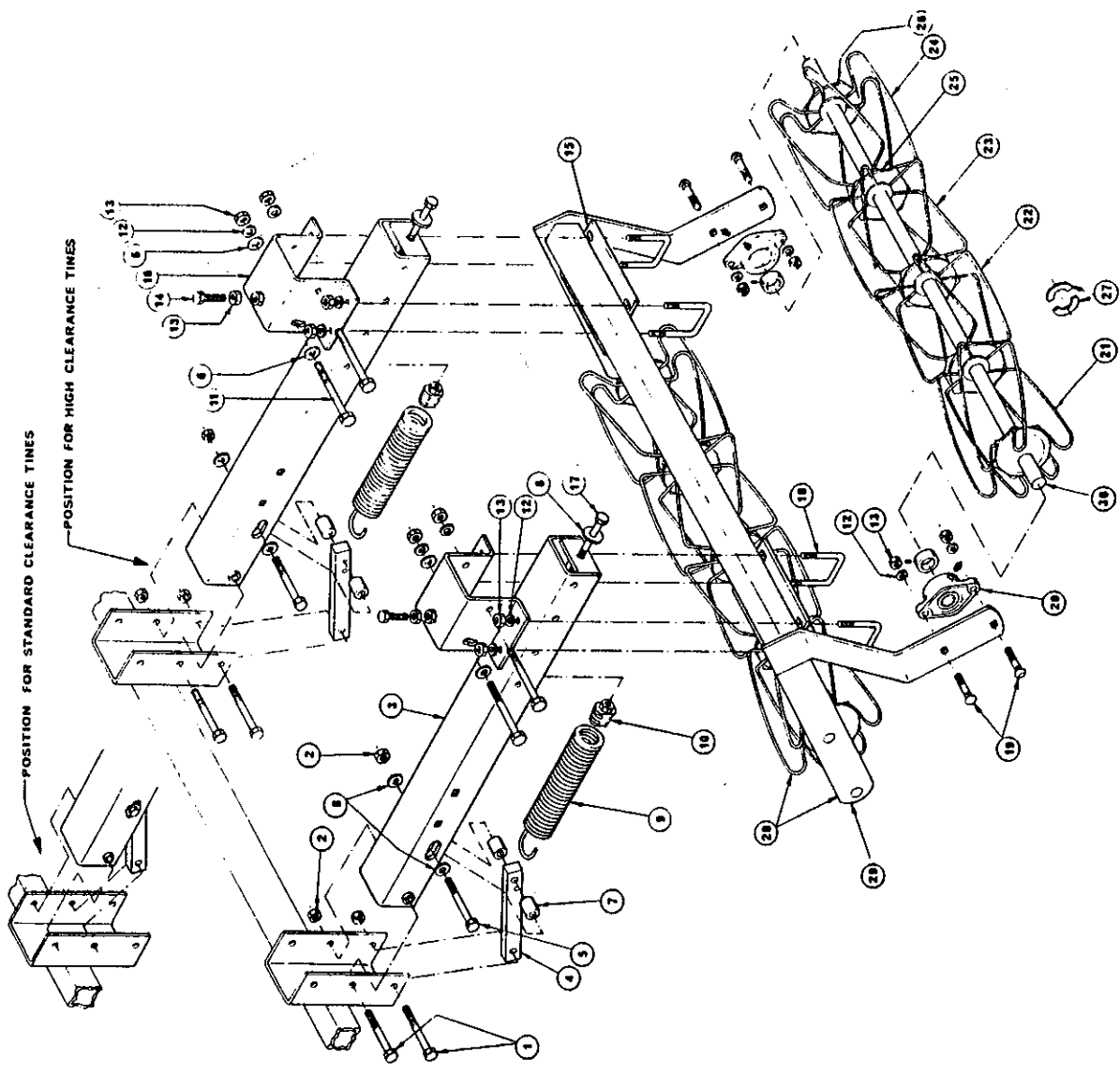


ROLLING HARROWS

PART NO.	DESCRIPTION	17.8		23.0		25.8	
		20.4	20.4	23.0	23.0	25.8	25.8
1	30279129	16	16	20	20	20	20
2	30564805	24	24	30	30	30	30
3	59210234	8	8	10	10	10	10
4	592663129	8	8	10	10	10	10
5	30279127	24	24	30	30	30	30
6	31461008	16	16	20	20	20	20
7	59240092	16	16	20	20	20	20
8	31461009	8	8	10	10	10	10
9	59230010	8	8	10	10	10	10
10	59220047	8	8	10	10	10	10
11	30279094	16	16	20	20	20	20
12	31451801	80	80	100	100	104*	104*
13	30589800	88	88	110	110	114*	114*
14	30279213	8	8	10	10	10	10
15	59263344	8	8	10	10	10	10
16	59210235	8	8	10	10	10	10
17	59380707	8	8	10	10	10	10
18	59340134	16	16	20	20	20	20
19	30288047	32	32	40	40	40*	40*
20	40724907	16	16	20	20	24	24
21	59280709	16	16	20	20	24	24
22	59280710						
23	59280711						
24	59280708						
25	59210236						
26	59210237						
27	50263130						

3	4	5	6	7	28	29	30	
							COMPLETE ASS'Y	FRAME WELDMENT
DRUM	DRUM	DRUM	DRUM	DRUM	79680131	59210238	59210243	59210248
					79680132	59210239	59210244	59210244
					79680133	59210240	59210245	59210250
					79680134	59210241	59210246	59210246
					79680135	59210242	59210246	59210252

* NOTE: On the FC2500T - 25.8 the R.H. Wing together at the bearings. The existing bearing bolts are removed and replaced by .500 x 2.75 hex bolts (30279088 - contained in 79680173). These longer bolts are used to go through both bearings and frame weldments to join the harrows.

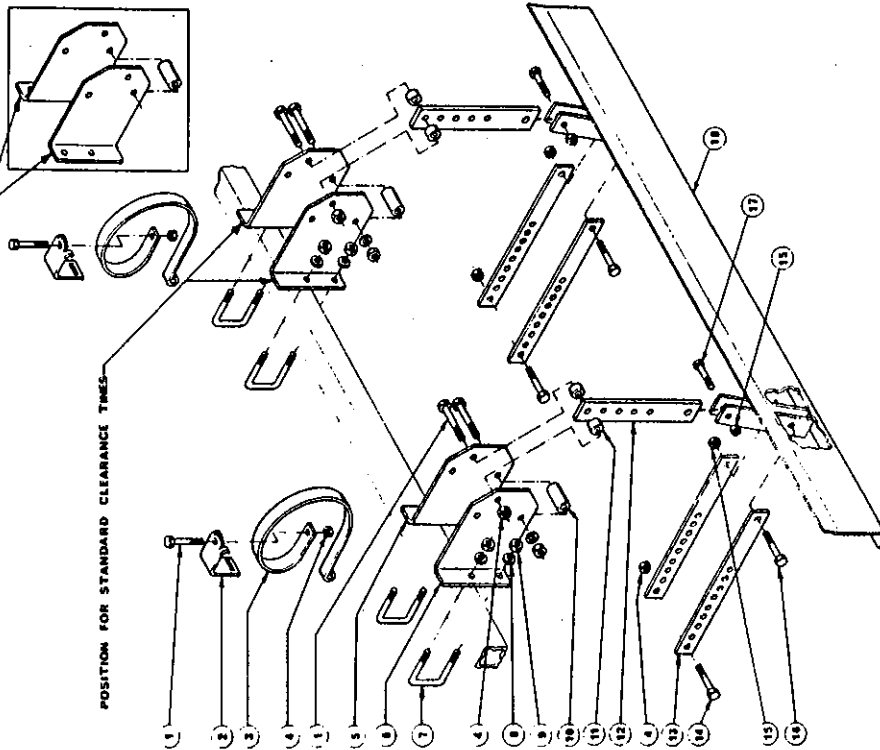


LEVELLING PLANKS

PART NO.	DESCRIPTION	17.8		23.0		25.8	
		20.4	24	10	10	10	12
1	30279091		24	30	30	36	
2	59263126		8	10	10	12	
3	59280712		8	10	10	12	
4	30564800		24	30	30	36	
5	59263131	.500-13 (locknut)	8	10	10	12	
6	59263132	L.H. "A"	8	10	10	12	
7	59340134	R.H. "B"	8	10	10	12	
8	31451801	.50	16	20	20	24	
9	30589800		40	50	50	60	
10	59240093		16	20	20	24	
11	59240094		16	20	20	24	
12	59250513		8	10	10	12	
13	59250512		16	20	20	24	
14	30279089	.500-13x3.00	8	10	10	12	
15	30564805	.625-11 (locknut)	16	20	20	24	
16	30279122	5-.625-11x3.00	8	10	10	12	
17	30279119	5-.625-11x2.25	8	10	10	12	
18		See Chart					

POSITION FOR HIGH CLEARANCE TIMES

POSITION FOR STANDARD CLEARANCE TIMES



MODEL NO.	R.H. WING	CENTER SECTION	L.H. WING
FC2500T-17.8	59210850	R.H.	59210851
FC1500T-20.4	59210854	59210849	59210848
FC2500T-23.0	59210854	59210897	59210896
FC2500T-25.8	59210895	59210897	59210896

3 BAR FINGER HARROWS

PART NO.	DESCRIPTION	17.8	20.4	23.0	25.8
1	30279130 5-.625-11x5.5	8	8	8	8
2	30564805 .625-11 (locknut)	8	8	8	8
3	31451801 -50	84	96	108	120
4	59210249 "A" R.H.	8	8	8	8
5	59210251 "A" L.H.	8	8	8	8
6	59210253 "B" R.H.	8	8	8	8
7	59210254 "B" L.H.	2	0	0	2
8	30279850 5-.500-13x1.50	108	120	132	144
9	59263135	24	24	24	24
10	59263136	16	16	16	16
11	30564806 .750-10 (locknut)	24	24	24	24
12	31472051 .625 (Int. Tooth)	16	16	16	16
13	30564800 500-13 (locknut)	24	24	24	24
14	30279139 5-.750-10x1.75	24	24	24	24
15	30279139	24	24	24	24
16	31461008 .56	84	96	108	120
17	30279140 5-.625-11x1.50	8	8	8	8
18	31451101 .62	8	8	8	8
19	30589100 .625-11	8	8	8	8
20	30589034 .500-13	84	96	108	120
21	30279043 5-.375-16x1.25	48	48	48	48
22	31451601 .375	48	48	48	48
23	30589600 .375-16	48	48	48	48
24	59280680 6 Tine	84	96	108	120
25	59263137 8 Tine	6	6	6	6
	59263138 10 Tine	0	0	0	0
	59263139	0	0	6	12

