

PRONOVOST

OWNER'S MANUAL



Dump Trailers **Models**

P-508

P-510

P-510G

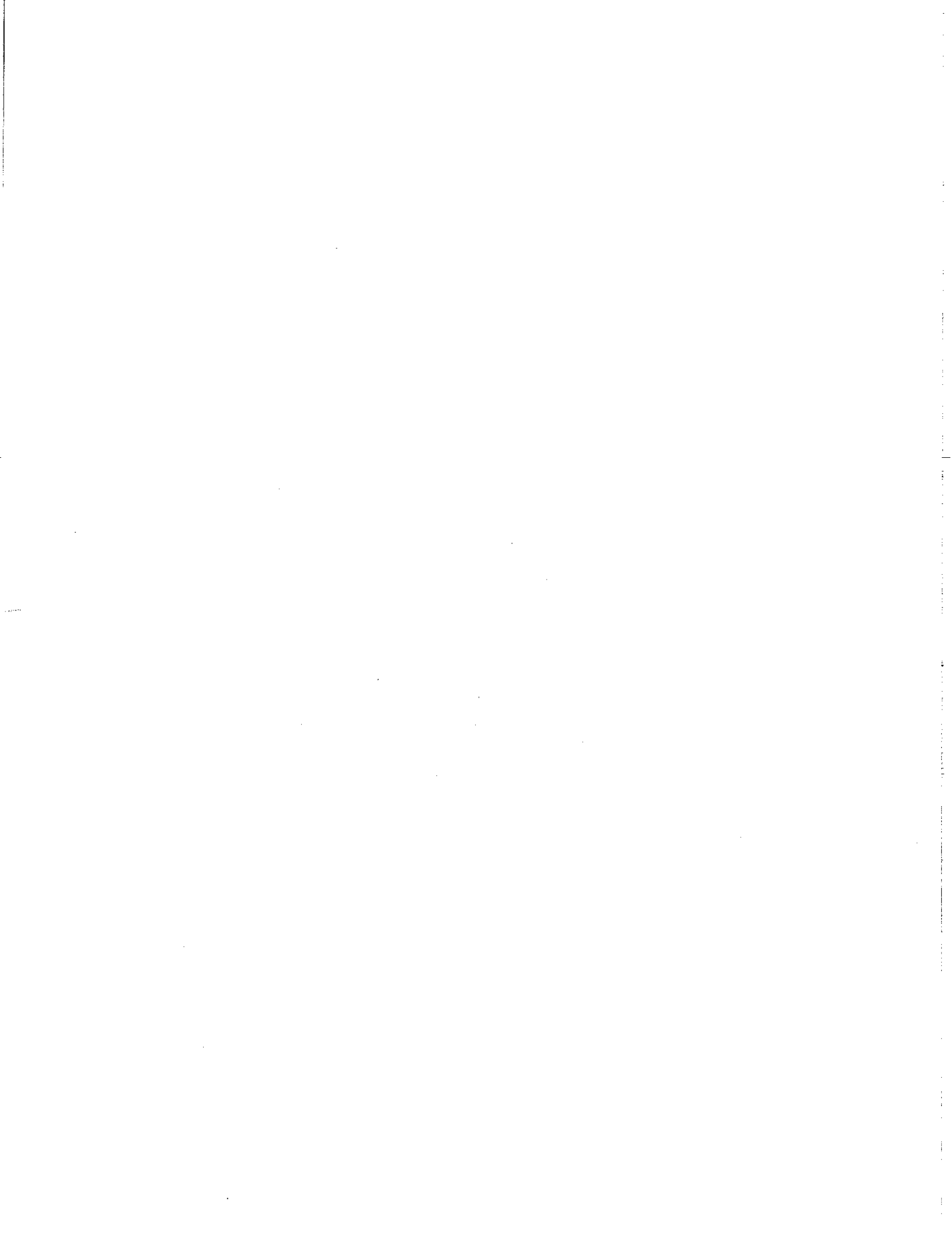
P-50710/4E

Copyright © Les Machineries Pronovost Inc., 1994

All rights reserved.
Printed in Canada.

TABLE OF CONTENTS

Section	Item	Page
1	Introduction	5
2	Safety	6
	General Safety	6
	Safety in Operation	6
	Safety with Maintenance	7
	Safety in Transport	7
	Safety in Storage	7
3	Decals	8
	Safety Decals	8
	Maintenance Decals	8
4	Start-up	9
	Basic Start-up Procedures	9
5	Maintenance	10
6	Storage	11
7	Specifications	12
8	Parts List	13
	Dump Trailer P-508	13
	Dump Trailers P-510 & P-510G	15
	Hub H4000	18
	Hub H5000	19
	Directional Control Valve DFC40	20
	Telescopic Cylinder # 51506	21
	Power Pack # 51536	22
9	Torque Chart	24
10	Warranty	25



INTRODUCTION

1

CONGRATULATIONS!

Thank you for choosing PRONOVOST. We are confident this equipment will meet your requirements in terms of quality, performance and reliability.

This manual was prepared to assist you in the safe operation of your new Dump Trailer. It contains important information which will help you achieve excellent returns with your PRONOVOST Dump Trailer for years to come.

Please read this manual before operating your Trailer and keep it for future reference.

Before using this equipment, you or any other person who will be using it must familiarize yourself with the safety recommendations, the operating and safety instructions. Please read carefully and be sure to understand and follow all recommendations and procedures.

In this manual, the right and left sides are identified while standing at the rear end of the equipment and facing it.

If you require additional information on your Dump Trailer, please contact your PRONOVOST Dealer.

NOW take a moment to enter the model, serial number and the date of purchase of your Trailer in the space provided below.

When ordering parts from your Dealer, please refer to these numbers for a fast and efficient service. Use PRONOVOST parts for replacement.

The model and serial numbers are on the name plate shown on Fig. 1.

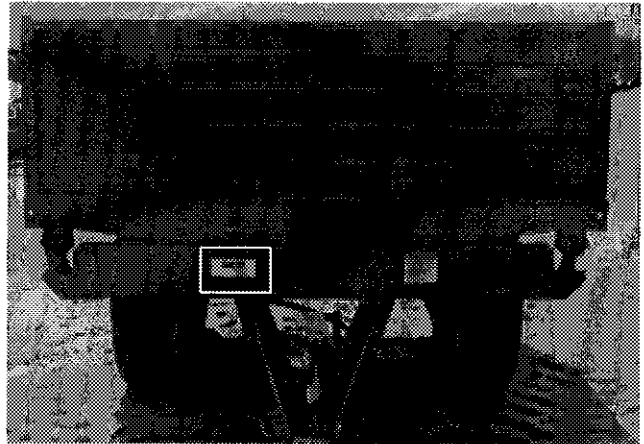


Figure 1

MODEL: _____

SERIAL NO: _____

DATE OF PURCHASE: _____

SAFETY

GENERAL SAFETY

2

WHEN YOU SEE THIS SYMBOL



ATTENTION!

**BE ALERT
YOUR SAFETY IS INVOLVED**

This symbol "SAFETY ALERT" is used in this manual and on the safety decals on the Trailer. It warns you of the possibility of danger. Carefully read, understand and follow all safety recommendations before operating the equipment.

- 1) Careful operation is the best assurance against accidents. Carefully read this manual and follow all recommendations before operating this equipment. It is the owner's responsibility to make sure that anyone who will operate the Trailer will read this manual before operating the equipment.
- 2) Do not modify the equipment. Any non authorized modification may affect the efficiency and/or safety of the equipment.
- 3) Never operate the equipment with defective parts or if damaged in any way. Have it repaired before using it.
- 4) Make sure all fasteners are in place and properly secured or tightened. Refer to torque chart on page 24.
- 5) Hydraulic fluids under pressure can damage your skin. Do not use your hands to locate a leak.
- 6) Battery (with 12V hydraulic system) contains sulfuric acid. Avoid contact with skin, eyes or clothing.

SAFETY IN OPERATION

- 1) **WARNING!** Do not overload your trailer, do not exceed the load capacity indicated in the specifications on page 12.
- 2) Be sure there are no obstructions around the equipment and that no one stands near the equipment when in use.
- 3) Do not operate an engine in a confined or non ventilated area.
- 4) Do not perform any adjustments, cleaning, maintenance or repairs with the engine running on the towing vehicle. Preferably remove the key from the ignition.
- 5) Be careful when backing-up, make sure you have good visibility.
- 6) In the case of a Highway Service Trailer, make sure the suspension, brakes and lights are all functioning properly.
- 7) Do not forget to unlock the proper panel before dumping.
- 8) With the 3-way dump trailers, do not forget to install the pins in the two ball-joints on the side you wish to dump the load, and release the adjacent panel.
- 9) Always travel at a safe operating speed following regulations and common sense. In the case of agricultural service tires, follow the manufacturer's specified safe speed. The road speed should be such as to maintain full control over steering and braking.

SAFETY (cont'd)

SAFETY WITH MAINTENANCE

- 1) Perform maintenance according to recommendations contained in this manual.
- 2) **Before performing any work under the raised platform, always install the safety support provided.**
- 3) If the trailer is hooked up to the tractor while performing maintenance work, make sure the engine is not running and preferably remove the ignition key.

SAFETY IN TRANSPORT

- 1) On public roads, use proper safety lights and check local regulations.

- 2) Be alert while driving on the road. Never carry passengers.

SAFETY IN STORAGE

- 1) If the trailer is to be stored for a certain period of time, install wooden blocks under the axles. **THIS WILL AVOID ANY ACCIDENTAL CRUSHING OF ANIMALS OR ANYONE WHO COULD CRAWL UNDER THE EQUIPMENT.**

2

DECALS

SAFETY DECALS

The safety decals are affixed wherever special safety precautions are indicated. Locate them on the equipment and read them carefully. If a decal is damaged, lost or illegible, install a new one. The following photos indicate where each one must be installed.

3

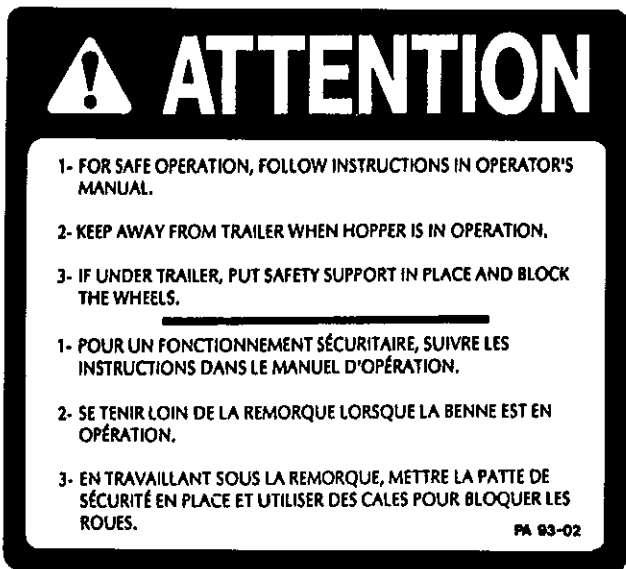


Figure 2
Decal A

Part no.: A110

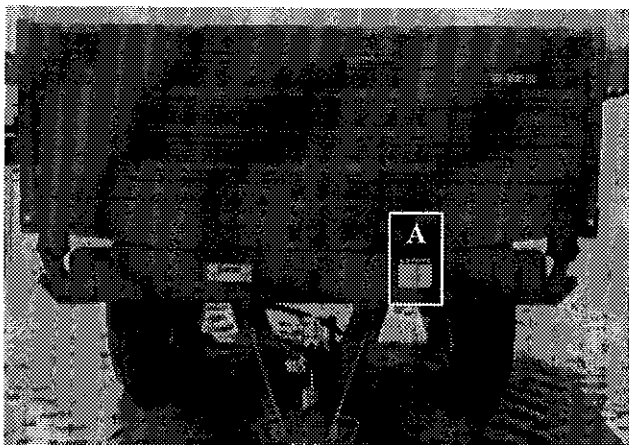


Figure 3



Figure 4
Decal B

Part no.: A103

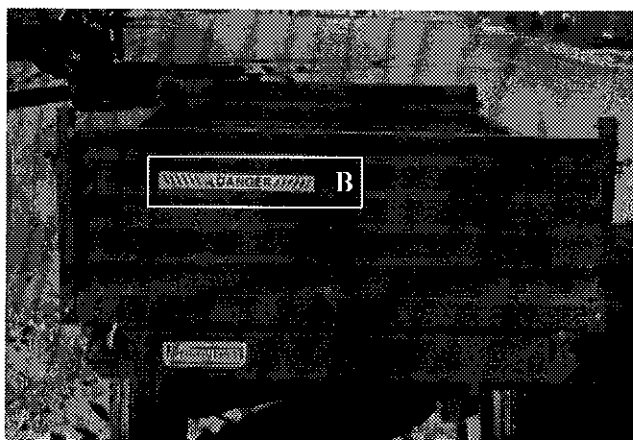


Figure 5

MAINTENANCE DECALS

The maintenance decals indicate the points requiring lubrication. Refer to maintenance section for more details.

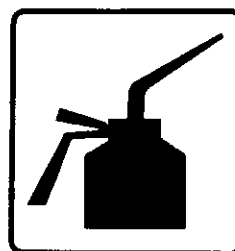


Figure 6

Part no.: A 105

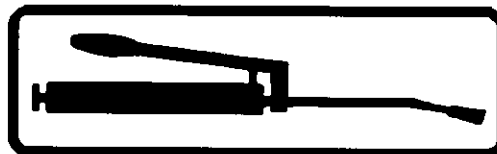


Figure 7

Part no.: A 106

START-UP

BASIC START-UP PROCEDURES

- 1) Lubricate all grease fittings with a good quality multiuse grease.
- 2) Lubricate panel release mechanism, front and rear with good quality oil.
- 3) Adjust tire pressure to manufacturer's specifications.
- 4) Install wheels on hubs.
- 5) Install panels.
- 6) Install all hydraulic hoses and fittings compatible with your equipment.
- 7) Verify for adequate tightness of all fastening devices. Refer to torque chart on page 24.
- 8) Operate the hydraulic system a few times, raising and lowering the platform in order to remove any trapped air in the system. Then check the oil level in the tractor's hydraulic oil reservoir.
- 9) With the 3-way dump trailer, the ball-joint pins are usually installed in a "X" configuration to prevent tipping during handling. They must be installed on the side you wish to dump the load. **ATTENTION: Never use the "X" configuration when using your Dump Trailer.**
- 10) Do not forget to unlock the proper panel before dumping.

4

MAINTENANCE

Before performing any work under the raised platform, always install the safety support provided.

- 1) Wipe off all grease fittings with a clean cloth before adding grease in order to avoid injecting dirt or sand.
- 2) Repair or replace damaged grease fittings.
- 3) Lubricate all grease fittings every 20 hours of operation.
- 4) Check all bolts on wheels after first 5 hours of operation and then every 50 hours of operation.
- 5) Lubricate panel release mechanism, front and rear, every 20 hours of operation.
- 6) Check tire pressure every 50 hours of operation, adjust according to manufacturer's recommendation indicated on the tires.
- 7) Check brakes once a year and adjust or repair if necessary.
- 8) Open, clean and lubricate wheel bearings once a year.
- 9) Check all nuts and bolts once a year. If necessary use torque chart on page 24.

5

STORAGE

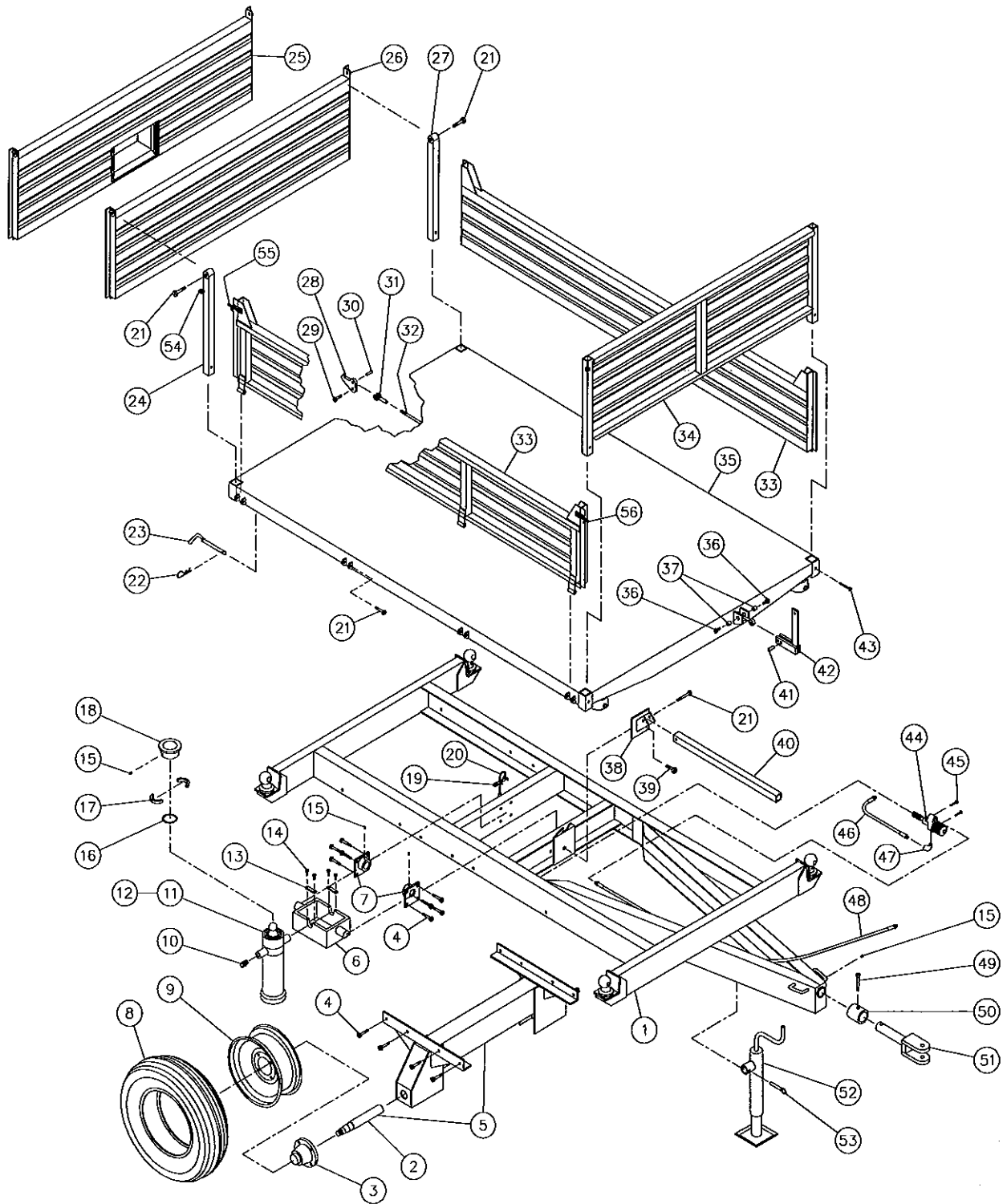
- 1) Store in a cool, dry place.
- 2) Install wooden blocks under the axles to keep the tires off the ground and cover them if left exposed to the sun.
- 3) Keep all piston rods in the retracted position. This will assure better protection against the elements.
- 4) Clean your trailer.
- 5) Thoroughly inspect all parts of the trailer. Replace or repair worn or defective parts.
- 6) Touch-up or repaint if necessary.
- 7) Lubricate all points before storage.

SPECIFICATIONS

SERVICE	AGRICULTURAL	AGRICULTURAL	AGRICULTURAL	HIGHWAY
MODEL	P-508	P-510	P-510G	P-50710/4E
Capacity	4 tons	5 tons	5 tons	3.5 tons
Box (dimensions)	5'3" x 8'3" x 3/16"	5'3" x 8'3" x 3/16"	5'3" x 8'3" x 3/16"	5'3" x 8'3" x 3/16"
Side panel (removable)	14" x 12G	14" x 12G	14" x 12G	14" x 12G
Front/back panel (removable)	19" x 12G	19" x 12G	19" x 12G	19" x 12G
Platform height	33"	33"	33"	34"
Overall length	11'6"	11'6"	11'6"	11'6"
Overall width	5'8"	5'8"	5'8"	5'8"
Overall height	4'2"	4'2"	4'2"	4'2"
Free height / maximum lift	20"	20"	20"	10"
Thread width	51"	51"	51"	52 1/2"
Dumping angle (back)	45°	45°	45°	45°
Dumping angle (2 sides)	45°	45°	45°	45°
Axle	Single	Tandem	Tandem	Tandem
Suspension	--	--	--	Springs
Grain door (8" x 12")	option	--	standard	--
Hubs	6 bolts	6 bolts	6 bolts	5 bolts
Hub capacity	5000 lbs	4000 lbs	4000 lbs	1750 lbs
Spindles	2"	1 3/4"	1 3/4"	--
Wheels	2	4	4	4
Wheel dimensions	15" x 8"	15" x 6"	15" x 6"	14" x 6"
Tires (standard)	11L15 (8 ply)	9.5L15 (6 ply)	9.5L15 (6 ply)	ST205/75R14
Hitch: clevis/swivel	standard	standard	standard	option
Hitch: ball coupler (2 5/16")	option	option	option	standard
Electric brakes	--	--	--	standard
Hydraulic brakes	--	--	--	--
Hitch weight (empty)	125 lbs	125 lbs	125 lbs	125 lbs
Total weight	1775 lbs	1850 lbs	1850 lbs	1850 lbs
Light system (12 V)	--	--	--	standard
Oil / volume required	5 L	5 L	5 L	5 L
Cylinder	1 single acting	1 single acting	1 single acting	1 single acting
Security chain	option	option	option	standard
Electric power pack	option	option	option	option
Battery rack	option	option	option	standard

Design and specifications subject to change without notice.

DUMP TRAILER P-508

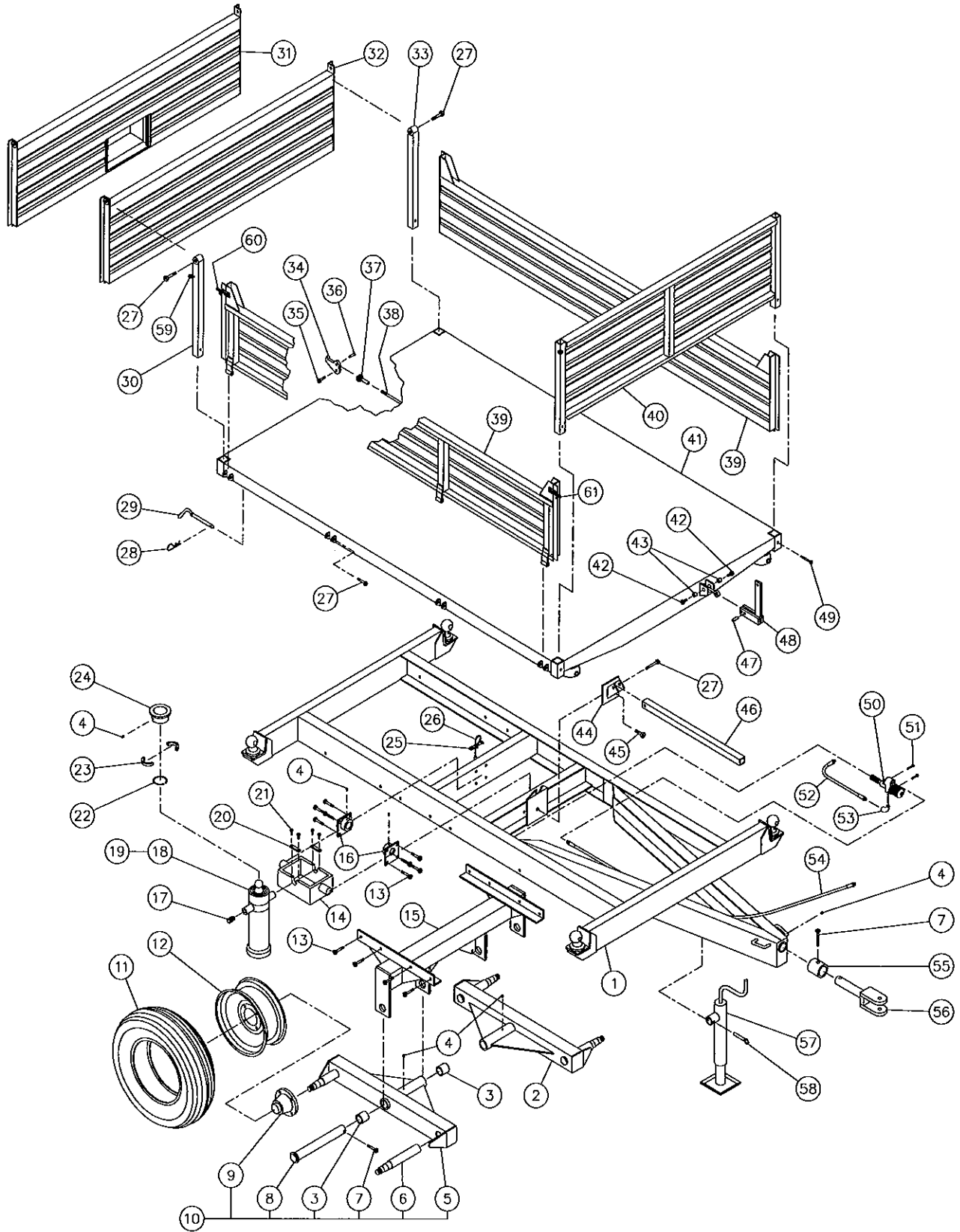


8

DUMP TRAILER P-508 (cont'd)

REF.	PART #	DESCRIPTION	QTY
1	51571	Frame	1
2	51406	Axle 2" \varnothing (welded)	2
3	51441	Hub # H-5000 complete (see details 19)	2
4	Std.	Bolt 1/2" NC x 1 1/2" lg + nut & lock washer	16
5	51585	Cross-beam	1
6	51507	Cylinder gimbal	1
7	51509	Pivot plate	2
8	PN-11L15	Tire 11L15 - 8 ply with tube	2
9	R-1586	Rim 15" x 8" - 6 holes	2
10	51505	Elbow (swivel) 9455-8x8	1
11	51506	Telescopic cylinder 3 sections (see details page 21)	1
12	51527	Repair kit for cylinder no. 51506 (see details page 21)	1
13	51572	Retaining plate for cylinder gimbal	2
14	51573	Metric bolt 8 x 20 x 1.25 mm	4
15	Std.	Grease fitting 1/4" - 28 straight	4
16	51574	Retaining ring 2 5/8" int.	1
17	51575	Locking segments for ball-joint 2 7/8"	2
18	51576	Ball joint seat (welded) 4 1/2"	1
19	Std.	Cable clamp 3/16"	2
20	Std.	Cable 3/16" x 69"	1
21	Std.	Bolt 1/2" NC x 3" lg + nylon locknut	11
22	Std.	Hitch pin clip 5/32"	2
23	51577	Pin for platform pivot	2
24	51536	Right rear stake	1
25	51578	Rear panel with grain door	opt.
26	51515	Standard rear panel	1
27	51516	Left rear stake	1
28	51513	Rear panel lock	1
29	Std.	Bolt 1/2" NC x 2" lg + nylon locknut	1
30	51436	Pin 1/2" \varnothing x 1 1/4" lg	1
31	51435	Clevis 1/2" - 20 NF + nut	1
32	51514	Rod 1/2" for rear panel lock	1
33	51517	Side panel	2
34	51518	Front panel	1
35	51579	Platform	1
36	Std.	Bolt 1/2" NC x 1" lg + flat washer & lock washer	2
37	51458	Spacer 33/64" i.d. x 27/32" o.d. x 1/2" lg	2
38	51580	Safety support bracket	1
39	Std.	Bolt 5/8" NC x 1 1/2" lg + nylon locknut	1
40	51581	Safety support	1
41	51434	Pin 1/2" x 1 1/4" lg	1
42	51521	Lever for rear panel locking mechanism	1
43	Std.	Bolt 3/8" NC x 2 1/2" lg + nut & lock washer	4
44	51522	Directional control valve DFC 40 (cyl. travel limit) (see details page 20)	1
45	Std.	Bolt 5/16" NC x 1 1/4" lg + nut & lock washer	2
46	51582	Hose R1 3/8" x 21" lg + 1 fitting 6U 106 & 1 fitting 6U 108	1
47	Std.	Street elbow 3/8"	1
48	51523	Hose R1 3/8" x 114" lg + 1 fitting 6U 106 & 1 fitting 6U 108	1
49	Std.	Bolt 1/2" NC x 3" lg + nut & lock washer	1
50	51524	Ring	1
51	51525	Swivel hitch	1
52	51407	Jack	1
53	51408	Pin for jack	1
54	51583	Ring for side panel lock (welded)	4
55	51584-G	Side panel lock (L.H.) (welded)	2
56	51584-D	Side panel lock (R.H.) (welded)	2

DUMP TRAILER P-510 P-510G



8

DUMP TRAILER P-510 P-510G (cont'd)

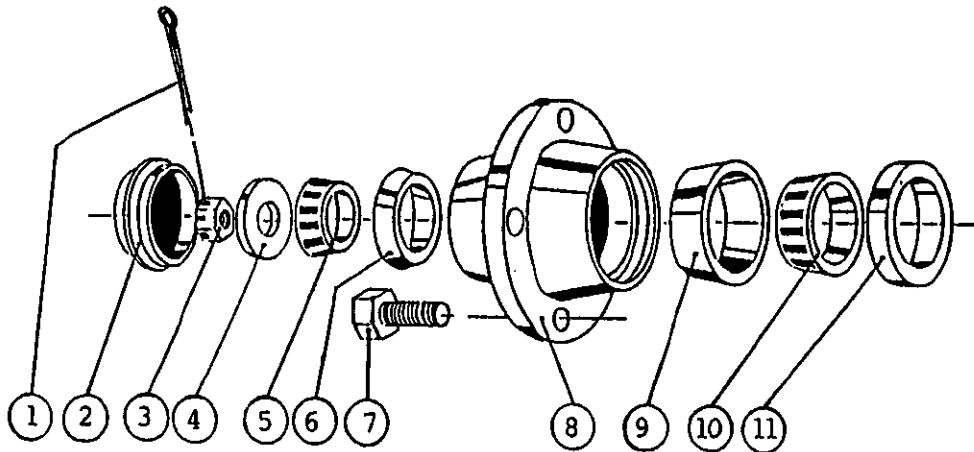
REF.	PART #	DESCRIPTION	QTY	
			P-510	P-510G
1	51571	Frame	1	1
2	51500-G	Left tandem frame	1	1
2	51504-G	Left tandem assembly	1	1
3	51405	Brass bushing 1 3/4" i.d. x 2" o.d. x 2" lg	4	4
4	Std.	Grease fitting 1/4"-28 straight	6	6
5	51500-D	Right tandem frame	1	1
6	51501	Axle 1 3/4" ø (welded)	4	4
7	Std.	Bolt 1/2" NC x 3" lg + nut & lock washer	3	3
8	51502	Pin for tandem	2	2
9	51503	Hub # H-4000 complete (see details page 18)	4	4
10	51504-D	Right tandem assembly	1	1
NI*	51504-G	Left tandem assembly	1	1
11	PN-9.5L15	Tire 9.5L15 - 6 ply with tube	4	4
12	R-1566	Rim 15" x 6" - 6 holes	4	4
13	Std.	Bolt 1/2" NC x 1 1/2" lg + nut & lock washer	16	16
14	51507	Cylinder gimbal	1	1
15	51508	Cross-beam	1	1
16	51509	Pivot plate	2	2
17	51505	Elbow (swivel) 9455-8x8	1	1
18	51506	Telescopic cylinder 3 sections (see details page 21)	1	1
19	51527	Repair kit for cylinder no. 51506 (see details page 21)	1	1
20	51572	Retaining plate for cylinder gimbal	2	2
21	51573	Metric bolt 8 x 20 x 1.25 mm	4	4
22	51574	Retaining ring	1	1
23	51575	Locking segments for ball-joint	2	2
24	51576	Ball-joint seat (welded)	1	1
25	Std.	Cable clamp 3/16"	2	2
26	Std.	Cable 3/16" x 69"	1	1
27	Std.	Bolt 1/2" NC x 3" lg + nylon locknut	11	11
28	Std.	Hitch pin clip 5/32"	2	2
29	51577	Pin for platform pivot	2	2
30	51536	Right rear stake	1	1
31	51578	Rear panel with grain door	-	1
32	51515	Standard rear panel	1	-
33	51516	Left rear stake	1	1
34	51513	Rear panel lock	1	1
35	Std.	Bolt 1/2" NC x 2" lg + nylon locknut	1	1
36	51436	Pin 1/2" ø x 1 3/4" lg	1	1
37	51435	Clevis 1/2" - 20 NF + nut	1	1
38	51514	Rod 1/2" for rear panel lock	1	1
39	51517	Side panel	2	2
40	51518	Front panel	1	1
41	51579	Platform	1	1
42	Std.	Bolt 1/2" NC x 1" lg + flat washer & lock washer	2	2
43	51458	Spacer 33/64" i.d. x 27/32" o.d. x 1/2" lg	2	2
44	51580	Safety support bracket	1	1
45	Std.	Bolt 5/8" NC x 1 1/2" lg + nylon locknut	1	1
46	51581	Safety support	1	1

DUMP TRAILER P-510 P-510G (cont'd)

REF.	PART #	DESCRIPTION	QTY	
			P-510	P-510G
47	51434	Pin ½" x 1¼" lg	1	1
48	51521	Lever for rear panel locking mechanism	1	1
49	Std.	Bolt 3/8" NC x 2½" lg + nut & lock washer	4	4
50	51522	Directional control valve DFC 40 (cyl. travel limit) (see details page 20)	1	1
51	Std.	Bolt 5/16" NC x 1¼"lg + nut & lock washer	2	2
52	51582	Hose R1 3/8" x 21" lg + 1 fitting 6U 106 & 1 fitting 6U 108	1	1
53	Std.	Street elbow 3/8"	1	1
54	51523	Hose R1 3/8" x 114" lg + 1 fitting 6U 106 & 1 fitting 6U 108	1	1
55	51524	Ring	1	1
56	51525	Swivel hitch	1	1
57	51407	Jack	1	1
58	51408	Pin for jack	1	1
59	51583	Ring for side panel lock (welded)	4	4
60	51584-G	Side panel lock (L.H.) (welded)	2	2
61	51584-D	Side panel lock (R.H.) (welded)	2	2

*NI = Not illustrated

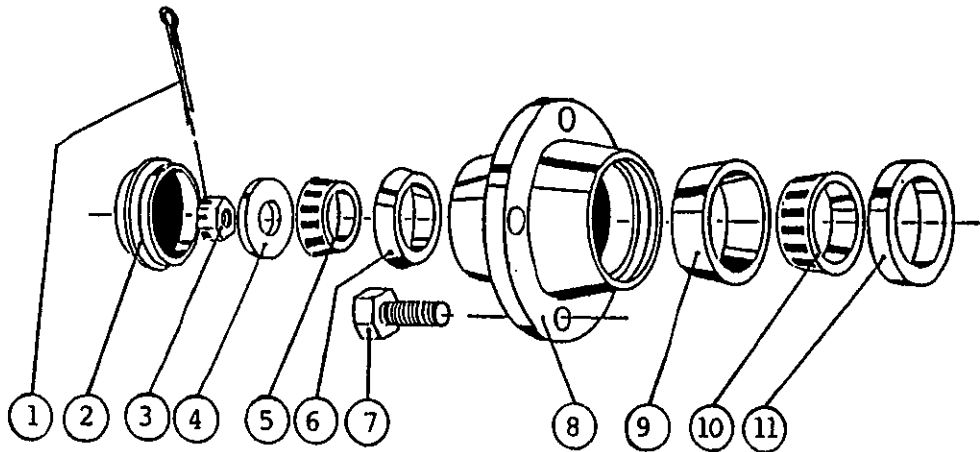
HUB H4000



REF.	PART #	DESCRIPTION	QTY
1	Std.	Cotter pin 5/32" x 1 1/2"	1
2	51528	Dust cap D-4000 2 5/16" ø	1
3	51529	Castle nut 1" NF x 9/16" thick	1
4	Std.	Flat washer 1"	1
5	51530	Roller bearing Timken: cone no. LM67048	1
6	51531	Roller bearing Timken: cup no. LM67010	1
7	51418	Rim screw 9/16"	5
8	51532	Hub only H4000	1
9	51533	Roller bearing Timken: cup no. LM29710	1
10	51534	Roller bearing Timken: cone no. LM67048	1
11	51535	Oil seal no. CR17415	1

8

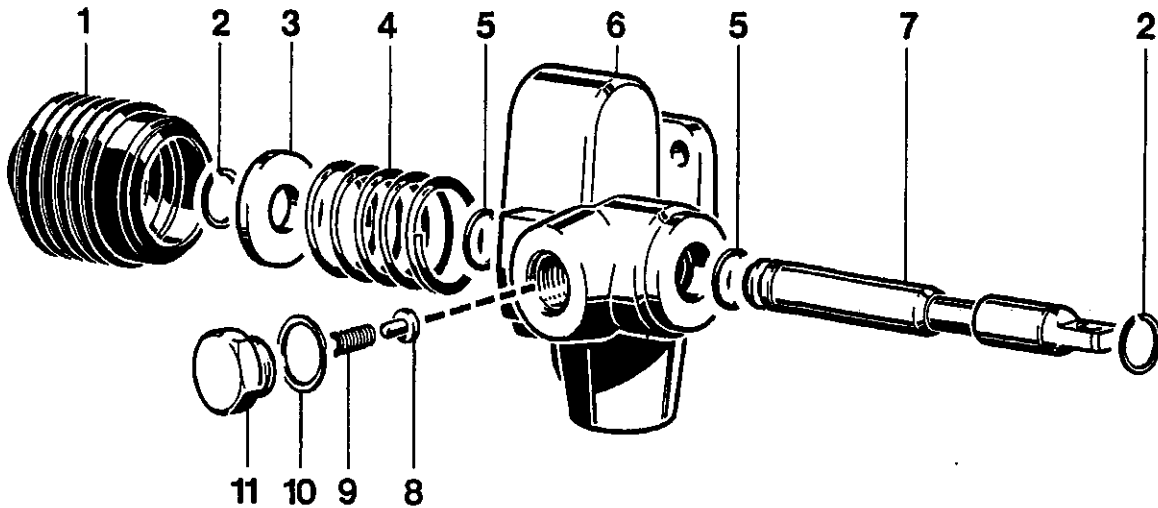
HUB H5000



REF.	PART #	DESCRIPTION	QTY
1	Std.	Cotter pin 5/32" x 1 1/2"	1
2	51417	Dust cap 2.570" ø	1
3	51442	Castle nut 7/8" NF	1
4	Std.	Flat washer 7/8"	1
5	51416	Roller bearing Timken: cone no. 4T-LM48548	1
6	51415	Roller bearing Timken: cup no. 4T-LM48510	1
7	51418	Rim screw 9/16"	5
8	51414	Hub only H5000	1
9	51413	Roller bearing Timken: cup no. 4T-LM603011	1
10	51412	Roller bearing Timken: cone no. 4T-LM603049	1
11	51443	Oil seal no. CR20044	1

8

DIRECTIONAL CONTROL VALVE DFC 40 # 51522

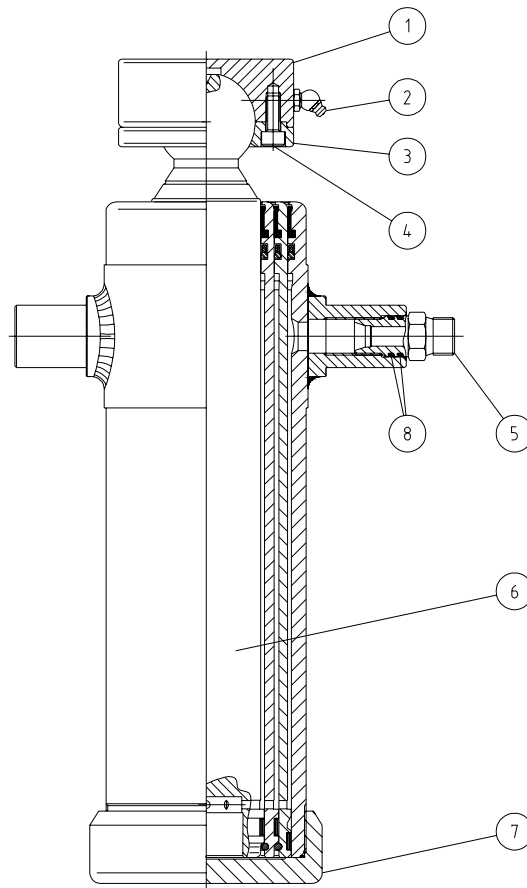


REF.	PART #	CODE #	DESCRIPTION	QTY
1	51560	48710000	Rubber boot DFC 40	1
2	51561	41111000	Lock ring SW 16	2
3	51562	45830000	Flat washer DM 70	1
4	51563	45190500	Spring DM 70	1
5	51564	38115000	O-ring OR 121	2
6	51565	21390000	Body DFC 40	1
7	51566	47670010	Shaft DFC 40	1
8	51567	50553000	Check valve DFC 100	1
9	51568	45261000	Spring	1
10	51569	37600000	Washer G3/8	1
11	51570	50190000	Plug DFC	1

8

TELESCOPIC CYLINDER # 51506

190-06971



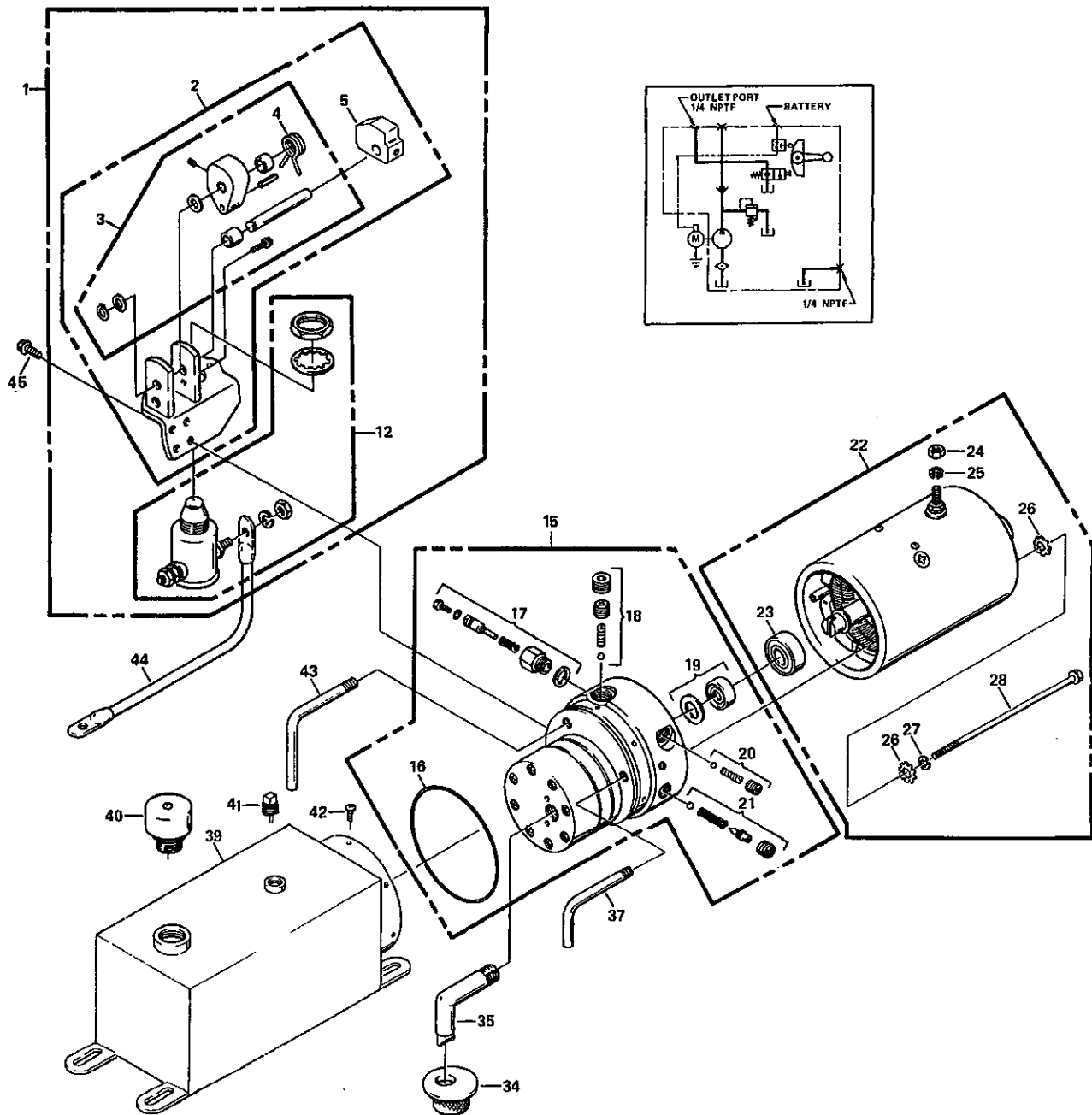
REF.	PART #	DESCRIPTION	QTY
1	51619	Ball joint seat (welded)	1
2	Std.	Grease fitting 1/4"-28 45 deg.	1
3	51620	Locking segments for ball-joint 2 7/8"	1
4	331-13220	Hex socket cap screw M8-1.25mm x 20mm (from serial # 8800 and up)	6
5	51586	Connector	1
6	51587	Piston with ball	1
7	51588	Threaded cylinder base	1
8	51589	Seal kit for connector	1
NI*	51527	Repair kit for cylinder	1

*NI = Not illustrated

* Some parts might not be available apart.



POWER PACK # 51536









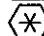
8

POWER PACK # 51536 (cont'd)




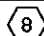
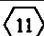
REF.	PART #	DESCRIPTION	QTY
1	51537	Bracket assembly with mounting plate and start switch	1
2	51538	Bracket assembly with mounting plate	1
3	51539	Bracket assembly only	1
4	51540	Torsion spring	1
5	51541	Block	1
12	51542	Start switch	1
15	51543	Pump assembly (gear code 05)	1
16	51544	Industrial o-ring (3 5/8" x 3 7/8" x 1/8")	1
17	51545	Plunger	1
18	51546	Main check valve	1
19	51547	Seal and gasket	1
20	51548	Descending check valve	1
21	51549	Relief valve	1
22	51550	Electric motor 12V DC	1
23	51551	Ball bearing	1
24	Std.	Nut 5/16"-24	1
25	Std.	Lock washer 5/16"	1
26	Std.	Star washer 1/4"	4
27	Std.	Lock washer 1/4"	2
28	Std.	Bolt 1/4"-20 x 6 1/2"	2
34	51552	Filter	1
35	51553	Filter (suction tube) 3/8" NPT 90°	1
37	51554	Return tube 1/8"	1
39	51555	Reservoir 6 1/4" x 7" x 15", 510 in ³ usable	1
40	51556	Vent plug	1
41	51557	Square head plug	1
42	Std.	Screw 10-24 x 3/8"	6
43	51558	Return tube (1/8 NPT)	1
44	51559	Insulated cable with lugs 9" 6 gauge	1
45	Std.	Flange hex. head screw (tap tite) 1/4"-20 x 5/8"	4

TORQUE CHART

TORQUE SPECIFICATION TABLE

Thread UNC and UNF		Grade 2 				Grade 5   				Grade 8*   			
Bolt size		Torque				Torque				Torque			
Inches	mm	Pound feet		Newton meters		Pound feet		Newton meters		Pound feet		Newton meters	
		min.	max.	min.	max.	min.	max.	min.	max.	min.	max.	min.	max.
1/4	6.35	5	6	6.8	8.13	9	11	12.2	14.9	12	15	16.3	30.3
5/16	7.94	10	12	13.6	16.3	17	20.5	23.1	27.8	24	29	32.5	39.3
3/8	9.53	20	23	27.1	31.2	35	42	47.5	57.0	45	54	61.0	73.2
7/16	11.11	30	35	40.7	47.4	54	64	73.2	86.8	70	84	94.9	113.9
1/2	12.70	45	52	61.0	70.5	80	96	108.5	130.2	110	132	149.2	179.0
9/16	14.29	65	75	88.1	101.6	110	132	149.2	179.0	160	192	217.0	260.4
5/8	15.88	95	105	128.7	142.3	150	180	203.4	244.1	220	264	298.3	358.0
3/4	19.05	150	185	203.3	250.7	270	324	366.1	439.3	380	456	515.3	618.3
7/8	22.23	160	200	216.8	271.0	400	480	542.4	650.9	600	720	813.6	976.3
1	25.40	250	300	338.8	406.5	580	696	786.5	943.8	900	1080	1220.4	1464.5
1 1/8	25.58	-	-	-	-	800	880	1084.8	1193.3	1280	1440	1735.7	1952.6
1 1/4	31.75	-	-	-	-	1120	1240	1518.7	1681.4	1820	2000	2467.9	2712.0
1 3/8	34.93	-	-	-	-	1460	1680	1979.8	2278.1	2380	2720	3227.3	3688.3
1 1/2	38.10	-	-	-	-	1940	2200	2630.6	2983.2	3160	3560	4285.0	4827.4

* Thick nuts must be used with grade 8 bolts.

Size of screw	Thread	Pitch (mm)	Grade 4T  				Grade 7T 				Grade 8T  			
			Torque				Torque				Torque			
			Pound feet		Newton meters		Pound feet		Newton meters		Pound feet		Newton meters	
		min.	max.	min.	max.	min.	max.	min.	max.	min.	max.	min.	max.	
M6	UNC	1.00	3.6	5.8	4.9	7.9	5.8	9.4	7.9	12.7	7.2	10	9.8	13.6
M8	UNC	1.25	7.2	14	9.8	19	17	22	23	29.8	20	26	27.1	35.2
M10	UNC	1.5	20	25	27.1	33.9	34	40	46.1	54.2	38	46	51.5	62.3
M12	UNC	1.75	28	34	37.9	46.1	51	59	69.1	79.9	57	66	77.2	89.4
M14	UNC	2.0	49	56	66.4	75.9	81	93	109.8	126	96	109	130.1	147.7
M16	UNC	2.0	67	77	90.8	104.3	116	130	157.2	176.2	129	145	174.8	196.5
M18	UNC	2.0	88	100	119.2	136	150	168	203.3	227.6	175	194	237.1	262.9
M20	UNC	2.5	108	130	146.3	176.2	186	205	252	277.8	213	249	288.6	337.4
M8	UNF	1.0	12	17	16.3	23	19	27	25.7	36.6	22	31	29.8	42
M10	UNF	1.25	20	29	27.1	39.3	35	47	47.4	63.7	40	52	54.2	70.5
M12	UNF	1.25	31	41	42	55.6	56	68	75.9	92.1	62	75	84	101.6
M14	UNF	1.5	52	64	70.5	86.7	90	106	122	143.6	107	124	145	168
M16	UNF	1.5	69	83	93.5	112.5	120	138	162.6	187	140	158	189.7	214.1
M18	UNF	1.5	100	117	136	158.5	177	199	239.8	269.6	202	231	273.7	313
M20	UNF	1.5	132	150	178.9	203.3	206	242	279.1	327.9	246	289	333.3	391.6

Use the above torques when special torque is not given.

NOTE: These values apply to fasteners as received from supplier, dry, or when lubricated with normal engine oil. They do not apply if extreme pressure lubricants are used.

WARRANTY

PRONOVOST warrants this product to the initial purchaser for the period of one year from the date of purchase against defects in materials and workmanship.

We will replace or repair defective parts free of charge if they are returned to our plant in St-Tite, Quebec, Canada.

Transportation charges are the responsibility of the customer. This warranty is not transferable.

Hydraulic cylinders are covered by the manufacturer of these items.

All PRONOVOST spare parts purchased are covered by a three (3) month warranty.

This warranty becomes void and nul if the equipment is modified, breaks down as the result of an accident, is not operated according to manufacturer's recommendations, damaged by negligence or if maintenance has not been carried out as specified.

Our obligation is limited to the replacement or repair of the defective part. PRONOVOST accepts no responsibility for direct or indirect consequential damages of any kind.

Ce manuel est aussi disponible en français.
Veuillez téléphoner.



LES MACHINERIES PRONOVOST INC.
260, route 159,
Saint-Tite, Quebec, Canada, GOX 3H0
Tel.: (418) 365-7551, Fax: (418) 365-7954