



You can click on the link below to access directly the desired page

	PRONOVOST	INDUSTRIALS & MOTORIZED	PUMA, LYNX	X-PRO, PXP, PXPL
B AUGER DRIVE SHAFT AND SHEAR PLATE	B-1, 2, 3 & 4	B-5	B-6	B-7
C GEARBOXES	C-1	C-2	C-3	C-4
D SHEAR BOLT	D-1 & 2	D-3	D-4	D-5
E WELD-ON LINER FOR DRUM	E-1 & 2	E-3	E-4	E-5
F CHAIN	F-1 & 2	F-3	F-4	F-5
G 3-PTS HITCH COMPONENTS	G-1 & 2	G-3	-----	G-4
H SCRAPER BLADE	H-1 & 2	H-3	-----	H-4
I SKID SHOES	I-1	I-2	I-3	I-4
J DRIVELINE	J-1	J-2	J-3	J-4
K SNOWBLOWER FAN	K-1 & 2	K-3	K-4	K-5
L AUGER CHART WITH SPROCKET	L-1 & 2	L-3	L-4	L-5
M ROTARY DRUM	M-1 & 2	M-3	-----	-----
N BINDER COMPONENTS	N-1 & 2	N-3	N-4	N-5



PRONOVOST SERIES

AUGER DRIVE SHAFT AND SHEAR PLATE

MODEL	SERIAL #		AUGER DRIVE SHAFT			SHEARPLATE	SHEAR BUSHING		SHEAR BOLT
	FROM	TO	PART #	DIMENSIONS	ADAPTOR	PART #	PART #	DIM.	
P-480	8411290	8510336	6254	1" x 19 1/2"	160-01801	6259	8164	1/4"x3/4"	1/4"x2"
	8510337	3725	6296	1 1/4" x 17 3/8"	160-03451	6287	8164	1/4"x3/4"	1/4"x2"
	3726	7317	6440	1 1/4" x 17 3/8"	6466	6287	8164	1/4"x3/4"	1/4"x2"
P-540(TRC)	8411290	8510336	6255	1" x 22 1/2"	160-01801	6259	8164	1/4"x3/4"	1/4"x2"
	8510337	3725	6295	1 1/4" x 20 3/8"	160-03451	6287	8164	1/4"x3/4"	1/4"x2"
	3726	11443	6441	1 1/4" x 20 7/8"	6466	6287	8164	1/4"x3/4"	1/4"x2"
	11444	33352	6441	1 1/4" x 20 7/8"	6466	6287	150-01491	1/4"x7/8"	1/4"x2"
	33353	35292	110-07882*	1 1/4" x 20 7/8"	6466	110-07412*	-----	-----	1/4"x1 1/2"
	35293	and up	110-07883	1 1/4" x 20 7/8"	6466	110-07413	-----	-----	1/4"x2"
P-620(TRC)	8411290	8602450	6256	1 1/4" x 21 7/16"	6466	6260	8164	1/4"x3/4"	1/4"x2"
	3726	11443	6442	1 1/4" x 24 7/8"	6466	6287	8164	1/4"x3/4"	1/4"x2"
	11444	33352	6442	1 1/4" x 24 7/8"	6466	6287	150-01491	1/4"x7/8"	1/4"x2"
	33353	35292	110-07892*	1 1/4" x 24 7/8"	6466	110-07412*	-----	-----	1/4"x1 1/2"
	35293	and up	110-07893	1 1/4" x 24 7/8"	6466	110-07413	-----	-----	1/4"x2"
P-640	2058	3725	6446	1 1/4" x 22 7/16"	6466	6260	8164	1/4"x3/4"	1/4"x2"
P-680(TRC)	3726	11443	6443	1 1/4" x 24 5/16"	6466	6260	8164	1/4"x3/4"	1/4"x2"
	11444	16199	6443	1 1/4" x 24 5/16"	6466	6260	150-01491	1/4"x7/8"	1/4"x2"
	16200	33352	110-07902	1 1/4" x 24 7/16"	6466	6260	150-01491	1/4"x7/8"	1/4"x2"
	33353	35292	110-07903*	1 1/4" x 24 7/16"	6466	110-44351*	-----	-----	1/4"x1 1/2"
	35293	and up	110-07904	1 1/4" x 24 7/16"	6466	110-44352	-----	-----	1/4"x2"
P-720(TRC)	7318	11443	6456	1 1/4" x 26 9/16"	6466	6260	8164	1/4"x3/4"	1/4"x2"
	11444	16199	6456	1 1/4" x 26 9/16"	6466	6260	150-01491	1/4"x7/8"	1/4"x2"
	16200	33352	110-07912	1 1/4" x 26 7/16"	6466	6260	150-01491	1/4"x7/8"	1/4"x2"
	33353	35292	110-07913*	1 1/4" x 26 7/16"	6466	110-44351*	-----	-----	1/4"x1 1/2"
	35293	and up	110-07914	1 1/4" x 26 7/16"	6466	110-44352	-----	-----	1/4"x2"
P-720(TRC)-74	16200	33352	110-16331	1 1/4" x 27 9/16"	6466	6260	150-01491	1/4"x7/8"	1/4"x2"
	33353	35292	110-16332*	1 1/4" x 27 9/16"	6466	110-44351*	-----	-----	1/4"x1 1/2"
	35293	and up	110-16333	1 1/4" x 27 9/16"	6466	110-44352	-----	-----	1/4"x2"
P-720-80 & P-720-8028	19482	33352	110-22801	1 1/4" x 30 9/16"	6466	6260	150-01491	1/4"x7/8"	1/4"x2"
	33353	35292	110-22802*	1 1/4" x 30 9/16"	6466	110-44351*	-----	-----	1/4"x1 1/2"
	35293	and up	110-22803	1 1/4" x 30 9/16"	6466	110-44352	-----	-----	1/4"x2"
P-740(TRC)	8409811	9945	8006	1 1/4" x 26 5/8"	6466	8010	8164	1/4"x3/4"	1/4"x2"
	9946	11443	110-05631	1 1/4" x 26 5/8"	6466	8184	8164	1/4"x3/4"	1/4"x2"
	11444	33352	110-05631	1 1/4" x 26 5/8"	6466	8184	150-01491	1/4"x7/8"	1/4"x2"
	33353	35730	110-05632*	1 1/4" x 26 5/8"	6466	110-07272*	-----	-----	1/4"x1 1/2"
	35731	and up	110-05633	1 1/4" x 26 5/8"	6466	110-07273	-----	-----	1/4"x2"

* = These parts must be replaced by the part number directly below. The shear bolt must be replaced as required.

** = The dimensions of the drive shafts represent the dimensions of the replacement parts. These may differ from the original part.



PRONOVOST SERIES

AUGER DRIVE SHAFT AND SHEAR PLATE

MODEL	SERIAL #		AUGER DRIVE SHAFT			SHEARPLATE	SHEAR BUSHING		SHEAR
	FROM	TO	PART #	DIMENSIONS	ADAPTOR	PART #	PART #	DIM.	BOLT
P-800(TRC)	8409811	9945	8007	1 1/4" x 29 5/8"	6466	8010	8164	1/4"x3/4"	1/4"x2"
	9946	11443	110-05641	1 1/4" x 29 5/8"	6466	8184	8164	1/4"x3/4"	1/4"x2"
	11444	33352	110-05641	1 1/4" x 29 5/8"	6466	8184	150-01491	1/4"x7/8"	1/4"x2"
	33353	35730	110-05642*	1 1/4" x 29 5/8"	6466	110-07272*	-----	-----	1/4"x1 1/2"
	35731	and up	110-05643	1 1/4" x 29 5/8"	6466	110-07273	-----	-----	1/4"x2"
P-860(TRC)	8409811	9945	8008	1 1/4" x 32 5/8"	6466	8010	8164	1/4"x3/4"	1/4"x2"
	9946	11443	110-05651	1 1/4" x 32 5/8"	6466	8184	8164	1/4"x3/4"	1/4"x2"
	11444	33352	110-05651	1 1/4" x 32 5/8"	6466	8184	150-01491	1/4"x7/8"	1/4"x2"
	33353	35730	110-05652*	1 1/4" x 32 5/8"	6466	110-07272*	-----	-----	1/4"x1 1/2"
	35731	and up	110-05653	1 1/4" x 32 5/8"	6466	110-07273	-----	-----	1/4"x2"
P-862(TRC)	2605	8728	8008	1 1/4" x 32 5/8"	6466	8010	8164	1/4"x3/4"	1/4"x2"
	9000	9104	8008	1 1/4" x 32 5/8"	6466	8010	8164	1/4"x3/4"	1/4"x2"
	8729	8999	110-05651	1 1/4" x 32 5/8"	6466	8184	8164	1/4"x3/4"	1/4"x2"
	9105	11443	110-05651	1 1/4" x 32 5/8"	6466	8184	8164	1/4"x3/4"	1/4"x2"
	11444	33352	110-05651	1 1/4" x 32 5/8"	6466	8184	150-01491	1/4"x7/8"	1/4"x2"
	33353	35730	110-05652*	1 1/4" x 32 5/8"	6466	110-07272*	-----	-----	1/4"x1 1/2"
	35731	and up	110-05653	1 1/4" x 32 5/8"	6466	110-07273	-----	-----	1/4"x2"
P-860(TRC)-92	13619	33352	110-13171	1 1/4" x 35 5/8"	6466	8184	150-01491	1/4"x7/8"	1/4"x2"
	33353	35730	110-13172*	1 1/4" x 35 5/8"	6466	110-07272*	-----	-----	1/4"x1 1/2"
	35731	and up	110-13173	1 1/4" x 35 5/8"	6466	110-07273	-----	-----	1/4"x2"
P-INV-74	33233	33234	110-44341	1 1/4" x 27 21/32"	6466	110-44351*	-----	-----	1/4"x1 1/2"
	33353	35730	110-44342*	1 1/4" x 26 31/32"	6466	110-44351*	-----	-----	1/4"x1 1/2"
	35731	and up	110-44343	1 1/4" x 26 31/32"	6466	110-44352	-----	-----	1/4"x2"
P-INV-80	33353	35730	110-47321*	1 1/4" x 29 31/32"	6466	110-44351*	-----	-----	1/4"x1 1/2"
	35731	and up	110-47322	1 1/4" x 29 31/32"	6466	110-44352	-----	-----	1/4"x2"
P-860-IV	8841	9373	110-18821	1 1/4" x 32 13/16"	6466	8184	8164	1/4"x3/4"	1/4"x2"
	16200	33352	110-18821	1 1/4" x 32 13/16"	6466	8184	150-01491	1/4"x7/8"	1/4"x2"
	33353	35730	110-18822*	1 1/4" x 32 13/16"	6466	110-07272*	-----	-----	1/4"x1 1/2"
	35731	and up	110-18823	1 1/4" x 32 13/16"	6466	110-07273	-----	-----	1/4"x2"
P-920-IV	10510	11443	110-05971	1 1/4" x 35 13/16"	6466	8184	8164	1/4"x3/4"	1/4"x2"
	11444	33352	110-05971	1 1/4" x 35 13/16"	6466	8184	150-01491	1/4"x7/8"	1/4"x2"
	33353	35730	110-05972*	1 1/4" x 35 13/16"	6466	110-07272*	-----	-----	1/4"x1 1/2"
	35731	and up	110-05973	1 1/4" x 35 13/16"	6466	110-07273	-----	-----	1/4"x2"
P-1020-IV	36378	and up	110-50581	1 1/4" x 40 13/16"	6466	110-07273	-----	-----	1/4"x2"

* = These parts must be replaced by the part number directly below. The shear bolt must be replaced as required.

** = The dimensions of the drive shafts represent the dimensions of the replacement parts. These may differ from the original part.



PRONOVOST SERIES

AUGER DRIVE SHAFT AND SHEAR PLATE

MODEL	SERIAL #		AUGER DRIVE SHAFT			SHEARPLATE	SHEAR BUSHING		SHEAR
	FROM	TO	PART #	DIMENSIONS	ADAPTOR	PART #	PART #	DIM.	BOLT
P-920(TRC)	84121089	85101450	9295	1 1/4" x 34 5/8"	6465	9294	9407	5/16"x3/4"	5/16"x2"
	9946	11443	9305	1 3/4" x 34 7/16"	6467	9294	9407	5/16"x3/4"	5/16"x2"
	11444	13618	9305	1 3/4" x 34 7/16"	6467	9294	150-01531	5/16"x7/8"	5/16"x2"
	13619	14948	110-07492	1 3/4" x 34 7/16"	6467	110-07482	150-01481	3/8"x7/8"	3/8"x2 1/4"
	14949	16199	110-15251	1 3/4" x 34 7/16"	6467	110-15231	150-02791	3/8"x1"	3/8"x2 1/4"
	16200	33352	110-18251	1 3/4" x 34 7/16"	6467	110-18241	150-03911	5/16"x1"	5/16"x2"
	33353	35730	110-18252*	1 3/4" x 34 7/16"	6467	110-18242*	-----	-----	5/16"x1 1/2"
	35731	and up	110-18253	1 3/4" x 34 7/16"	6467	110-18243	-----	-----	5/16"x2"
P-922(TRC)	35293	35730	110-18252*	1 3/4" x 34 7/16"	6467	110-18242*	-----	-----	5/16"x1 1/2"
	35731	and up	110-18253	1 3/4" x 34 7/16"	6467	110-18243	-----	-----	5/16"x2"
P-920(TRC)-98	10794	11443	110-05201	1 3/4" x 37 3/8"	6467	9294	9407	5/16"x3/4"	5/16"x2"
	11444	13618	110-05201	1 3/4" x 37 3/8"	6467	9294	150-01531	5/16"x7/8"	5/16"x2"
	13619	14948	110-05202	1 3/4" x 37 3/8"	6467	110-07482	150-01481	3/8"x7/8"	3/8"x2 1/4"
	14949	16199	110-15241	1 3/4" x 37 7/16"	6467	110-15231	150-02791	3/8"x1"	3/8"x2 1/4"
	16200	33352	110-18261	1 3/4" x 37 7/16"	6467	110-18241	150-03911	5/16"x1"	5/16"x2"
	33353	35730	110-18262*	1 3/4" x 37 7/16"	6467	110-18242*	-----	-----	5/16"x1 1/2"
	35731	and up	110-18263	1 3/4" x 37 7/16"	6467	110-18243	-----	-----	5/16"x2"
	P-892(TRC)	85121640	85121684	9305	1 3/4" x 34 7/16"	6467	9294	9407	5/16"x3/4"
P-992(TRC)	1820	11443	9305	1 3/4" x 34 7/16"	6467	9294	9407	5/16"x3/4"	5/16"x2"
	11444	13618	9305	1 3/4" x 34 7/16"	6467	9294	150-01531	5/16"x7/8"	5/16"x2"
	13619	14948	110-07492	1 3/4" x 34 7/16"	6467	110-07482	150-01481	3/8"x7/8"	3/8"x2 1/4"
	14949	16199	110-15251	1 3/4" x 34 7/16"	6467	110-15231	150-02791	3/8"x1"	3/8"x2 1/4"
	16200	33352	110-18251	1 3/4" x 34 7/16"	6467	110-18241	150-03911	5/16"x1"	5/16"x2"
	33353	35730	110-18252*	1 3/4" x 34 7/16"	6467	110-18242*	-----	-----	5/16"x1 1/2"
	35731	and up	110-18253	1 3/4" x 34 7/16"	6467	110-18243	-----	-----	5/16"x2"
	P-981(34)(TRC)	22925	33352	110-18261	1 3/4" x 37 7/16"	6467	110-18241	150-03911	5/16"x1"
33353		35730	110-18262*	1 3/4" x 37 7/16"	6467	110-18242*	-----	-----	5/16"x1 1/2"
35731		and up	110-18263	1 3/4" x 37 7/16"	6467	110-18243	-----	-----	5/16"x2"
P-980(TRC)	84121089	85101450	9296	1 1/4" x 37 5/8"	6465	9294	9407	5/16"x3/4"	5/16"x2"
	2605	8728	9306	1 3/4" x 37 7/16"	6467	9294	9407	5/16"x3/4"	5/16"x2"
	8729	8999	110-05671	1 3/4" x 37 7/16"	6467	9469	9407	5/16"x3/4"	5/16"x2"
	9000	9104	9306	1 3/4" x 37 7/16"	6467	9294	9407	5/16"x3/4"	5/16"x2"
	9105	11443	110-05671	1 3/4" x 37 7/16"	6467	9469	9407	5/16"x3/4"	5/16"x2"
	11444	13618	110-05671	1 3/4" x 37 7/16"	6467	9469	150-01531	5/16"x7/8"	5/16"x2"
	13619	14948	110-05672	1 3/4" x 37 7/16"	6467	110-07722	150-01481	3/8"x7/8"	3/8"x2 1/4"
	14949	33352	110-14381	1 3/4" x 37 7/16"	6467	110-14571	150-02791	3/8"x1"	3/8"x2 1/4"
	33353	35730	110-14382*	1 3/4" x 37 7/16"	6467	110-14572*	-----	-----	3/8"x1 1/2"
	35731	and up	110-14383	1 3/4" x 37 7/16"	6467	110-14573	-----	-----	3/8"x2 1/4"

* = These parts must be replaced by the part number directly below. The shear bolt must be replaced as required.

** = The dimensions of the drive shafts represent the dimensions of the replacement parts. These may differ from the original part.



PRONOVOST SERIES

AUGER DRIVE SHAFT AND SHEAR PLATE

MODEL	SERIAL #		AUGER DRIVE SHAFT			SHEARPLATE	SHEAR BUSHING		SHEAR
	FROM	TO	PART #	DIMENSIONS	ADAPTOR	PART #	PART #	DIM.	BOLT
P-1020(TRC)	21142	33352	110-25021	1 3/4" x 39 7/16"	6467	110-14571	150-02791	3/8"x1"	3/8"x2 1/4"
	33353	35292	110-25022	1 3/4" x 39 7/16"	6467	110-14572*	-----	-----	3/8"x1 1/2"
	35293	35730	110-25023*	1 3/4" x 38 13/16"	6467	110-14572*	-----	-----	3/8"x1 1/2"
	35731	and up	110-25024	1 3/4" x 38 13/16"	6467	110-14573	-----	-----	3/8"x2 1/4"
P-1040(TRC)	2605	8728	9354	1 3/4" x 40 7/16"	6467	9294	9407	5/16"x3/4"	5/16"x2"
	8729	8999	110-05681	1 3/4" x 40 7/16"	6467	9469	9407	5/16"x3/4"	5/16"x2"
	9000	9104	9354	1 3/4" x 40 7/16"	6467	9294	9407	5/16"x3/4"	5/16"x2"
	9105	11443	110-05681	1 3/4" x 40 7/16"	6467	9469	9407	5/16"x3/4"	5/16"x2"
	11444	13618	110-05681	1 3/4" x 40 7/16"	6467	9469	150-01531	5/16"x7/8"	5/16"x2"
	13619	14948	110-05682	1 3/4" x 40 7/16"	6467	110-07722	150-01481	3/8"x7/8"	3/8"x2 1/4"
	14949	33352	110-15001	1 3/4" x 40 7/16"	6467	110-14571	150-02791	3/8"x1"	3/8"x2 1/4"
	33353	35730	110-15002*	1 3/4" x 40 7/16"	6467	110-14572*	-----	-----	3/8"x1 1/2"
	35731	and up	110-15003	1 3/4" x 40 7/16"	6467	110-14573	-----	-----	3/8"x2 1/4"

* = These parts must be replaced by the part number directly below. The shear bolt must be replaced as required.

** = The dimensions of the drive shafts represent the dimensions of the replacement parts. These may differ from the original part.



INDUSTRIAL AND MOTORIZED SERIES

AUGER DRIVE SHAFT AND SHEAR PLATE

MODEL	SERIAL #		AUGER DRIVE SHAFT			SHEARPLATE	SHEAR BUSHING		SHEAR
	FROM	TO	PART #	DIMENSIONS	ADAPTOR	PART #	PART #	DIM.	BOLT
PGS-740	34927		110-47111	24 1/2" long	110-47102*	110-47122*	-----	-----	5/16"x1 1/4"
	35293	and up	110-47111	24 1/2" long	110-47103	110-47123	-----	-----	5/16"x2"
PGS-800	35293	and up	110-49091	27 1/2" long	110-47103	110-47123	-----	-----	5/16"x2"
PGS-1020TRC	30836	35292	110-42672	37 1/4" long	110-11361	110-43001	150-02501	7/16"x1"	7/16"x2 1/4"
	35293	and up	110-42673	36 5/8" long	110-11362	110-43002	150-02501	7/16"x1"	7/16"x2 1/4"
P-982TRC-150	14948	21141	110-14631	35 9/16" long	110-11361	110-11371	150-02501	7/16"x1"	7/16"x2 1/4"
	21142	28326	110-14632	35 9/16" long	110-11361	110-11372	150-02501	7/16"x1"	7/16"x2 1/4"
	28327	35292	110-14633	35 9/16" long	110-11361	110-11372	150-02501	7/16"x1"	7/16"x2 1/4"
	35293	and up	110-14633	35 9/16" long	110-11362	110-11373	150-02501	7/16"x1"	7/16"x2 1/4"
P-1022TRC-180M	16199	17681	110-16671	17 17/32" long	110-16691	110-16791	150-03241	7/16"x1"	7/16"x2 1/4"
							150-04531	7/16"x1"	
P-1022TRC-200	14526	21141	110-11351	35 5/8" long	110-11361	110-11371	150-02501	7/16"x1"	7/16"x2 1/4"
	21142	26605	110-11352	35 5/8" long	110-11361	110-11372	150-02501	7/16"x1"	7/16"x2 1/4"
	26606	28326	110-14632	35 9/16" long	110-11361	110-11372	150-02501	7/16"x1"	7/16"x2 1/4"
	28327	and up	110-14633	35 9/16" long	110-11361	110-11372	150-02501	7/16"x1"	7/16"x2 1/4"
PGV-1021TRC-150	28327	30835	110-40171	43 3/4" long	110-11361	110-38781	150-02501	7/16"x1"	7/16"x2 1/4"
	30836	and up	110-43001	43 3/8" long	110-11361	110-43021	150-02501	7/16"x1"	7/16"x2 1/4"
PGV-1022TRC-200 & PGV-1022TRC-220	29377	35292	110-41011	40 3/4" long	110-11361	110-38781	150-02501	7/16"x1"	7/16"x2 1/4"
	35293	and up	110-43051	40 1/2" long	110-11362	110-43002	-----	-----	7/16"x2 1/4"
P-1042TRC-200	13527	13528	110-11351	35 5/8" long	110-11361	110-11371	150-02501	7/16"x1"	7/16"x2 1/4"
P-922(TRC)-98-93M	35189	and up	110-51121	35 11/16" long	110-46922		-----	-----	5/16"x2"



PUMA - LYNX SERIES

AUGER DRIVE SHAFT AND SHEAR PLATE

MODEL	SERIAL #		AUGER DRIVE SHAFT			SHEARPLATE	SHEAR
	FROM	TO	PART #	DIMENSIONS	ADAPTOR	PART #	BOLT
LYNX-52	all		110-40411	1" x 20 1/4"	6565	6567	1/4"X1"
LYNX-62	all		110-40641	1" x 25 1/4"	6565	6567	1/4"X1"
LYNX-70	all		110-40481	1" x 29 1/4"	6565	6567	1/4"X1"
PUMA-48	19482	and up	110-22591	1" x 18"	6565	6567	1/4"X1"
PUMA-54	1001	and up	110-02821	1" x 21"	6565	6567	1/4"X1"
PUMA-64	1001	33352	110-02971	1" x 26"	6565	6567	1/4"X1"
	33353	and up	110-02972	1" x 25 9/32"	6466	6567	1/4"X1"
PUMA-72	17821	30835	110-20981	1" x 30"	6565	6567	1/4"X1"
	30836	and up	110-42601	1" x 29 9/32"	6466	6567	1/4"X1"
PUMA-74	1001	1218	110-03111	1 1/4" x 26 1/8"	6466	6569	1/4"X1 1/4"
	1219	22924	110-03112	1 1/4" x 26 1/8"	6466	6570	5/16"X1 1/4"
	22925	33352	110-03113	1 1/4" x 29 5/16"	6466	6569	1/4"X1 1/4"
	33353	and up	110-45821	1 1/4" x 26 1/16"	6466	6569	1/4"X1 1/4"
PUMA-84	1001	1218	110-03351	1 1/4" x 31 3/16"	6466	6569	1/4"X1 1/4"
	1219	and up	110-03352	1 1/4" x 31 3/16"	6466	6570	5/16"X1 1/4"
PUMA-94	1001	1218	110-04281	1 1/4" x 36 3/16"	6466	6569	1/4"X1 1/4"
	1219	and up	110-04282	1 1/4" x 36 3/16"	6466	6570	5/16"X1 1/4"
PUMA-96	36767	and up	110-52371	1 3/4" x 36 3/16"	6467	110-18243	5/16"X2"



PXP & PXPL SERIES

SEPT. 2012

AUGER DRIVE SHAFT AND SHEAR PLATE

MODEL	SERIAL #		AUGER DRIVE SHAFT			SHEARPLATE	SHEAR BUSHING		SHEAR
	FROM	TO	PART #	DIMENSIONS	ADAPTOR	PART #	PART #	DIM.	BOLT
PXP-860	19483	20721	110-05651	1 1/4" x 32 7/16"	6466	8184	150-01491	1/4"x7/8"	1/4"X2"
PXP-860-92	19483	20721	110-13171	1 1/4" x 35 7/16"	6466	8184	150-01491	1/4"x7/8"	1/4"X2"
PXP-920	19483	20721	110-18251	1 3/4" x 34 7/16"	6467	110-18241	150-03911	5/16"x1"	5/16"X2"
PXP-920-98	19483	20721	110-18261	1 3/4" x 37 7/16"	6467	110-18241	150-03911	5/16"x1"	5/16"X2"
PXPL-86	21056	22924	110-25871	1 1/4" x 32 5/16"	6466	110-23351	150-05471	1/4"x1"	1/4"X2"
	22925	33352	110-25872	1 1/4" x 32 5/16"	6466	110-23352	150-05471	1/4"x1"	1/4"X2"
	33353	35292	110-25873*	1 1/4" x 32 5/16"	6466	110-07272*	-----	-----	1/4"X1"
	35293	and up	110-25874	1 1/4" x 32 5/16"	6466	110-07273	-----	-----	1/4"X2"
PXPL-86-92	21056	22924	110-23371	1 1/4" x 35 5/16"	6466	110-23351	150-05471	1/4"x1"	1/4"X2"
	22925	33352	110-23372	1 1/4" x 35 5/16"	6466	110-23352	150-05471	1/4"x1"	1/4"X2"
	33353	35292	110-23373*	1 1/4" x 35 5/16"	6466	110-07272*	-----	-----	1/4"X1"
	35293	and up	110-23374	1 1/4" x 35 5/16"	6466	110-07273	-----	-----	1/4"X2"
PXPL-92	21056	33352	110-25931	1 3/4" x 34 7/16"	6467	110-18241	150-03911	5/16"x1"	5/16"X2"
	33353	35292	110-18252*	1 3/4" x 34 7/16"	6467	110-18242*	-----	-----	5/16"X1 1/2"
	35293	and up	110-18253	1 3/4" x 34 7/16"	6467	110-18243	-----	-----	5/16"X2"
PXPL-92-98	21056	33352	110-18261	1 3/4" x 37 7/16"	6467	110-18241	150-03911	5/16"x1"	5/16"X2"
	33353	35292	110-18262*	1 3/4" x 37 7/16"	6467	110-18242*	-----	-----	5/16"X1 1/2"
	35293	and up	110-18263	1 3/4" x 37 7/16"	6467	110-18243	-----	-----	5/16"X2"

* = These parts must be replaced by the part number directly below. The shear bolt must be replaced as required.



PRONOVOST SERIES

GEARBOX CHART

MODEL	SERIAL NO		PART NO	SHAFTS SPECIFICATIONS		
	FROM	TO		INPUT (PTO)	OUTPUT (FAN)	OUTPUT (SIDE)
P-480 & P-540(TRC)	8411290	8510336	4821A	1" ROUND	1" ROUND	1" ROUND
	8510337	8602450	9268	1 1/4" ROUND	1 1/4" ROUND	1 1/4" ROUND
	1820	2555	6360	1 1/4" ROUND	1 1/4" ROUND	1 1/4" ROUND
	2556	3725	6413	1 1/4" ROUND	1 1/4" ROUND	1 1/4" ROUND
	3726	and up	6451	1 3/8" - 6 SPL.	1 1/4" ROUND	1 1/4" - 19 SPL.
P-620(TRC)	8411290	8602450	8001	1 1/2" ROUND	1 1/2" ROUND	1 1/4" - 19 SPL.
	3726	and up	6451	1 3/8" - 6 SPL.	1 1/4" ROUND	1 1/4" - 19 SPL.
P-640/ P-680(TRC)/ P-720(TRC)/ P-720(TRC)-74/ P-720-80 & P-720-8028	2058	2555	6375	1 1/2" ROUND	1 1/2" ROUND	1 1/4" - 19 SPL.
	2556	8728	8115	1 3/8" - 6 SPL.	1 1/2" ROUND	1 1/4" - 19 SPL.
	9000	9104	8115	1 3/8" - 6 SPL.	1 1/2" ROUND	1 1/4" - 19 SPL.
	8729	8999	8251	1 3/8" - 6 SPL.	40mm	1 1/4" - 19 SPL.
	9105	and up	8251	1 3/8" - 6 SPL.	40mm	1 1/4" - 19 SPL.
MT-186(TRC)		AVANT 1984	18003	1 1/2" ROUND	1 1/2" ROUND	1 1/4" - 19 SPL.
P-740(TRC)/ P-800(TRC)/ P-860(TRC) & P-860(TRC)-92	8409811	8601819	8001	1 1/2" ROUND	1 1/2" ROUND	1 1/4" - 19 SPL.
	1820	2555	6375	1 1/2" ROUND	1 1/2" ROUND	1 1/4" - 19 SPL.
	2556-R	3725-R	8001	1 1/2" ROUND	1 1/2" ROUND	1 1/4" - 19 SPL.
	2556-B	3725-B	6375	1 1/2" ROUND	1 1/2" ROUND	1 1/4" - 19 SPL.
	2556	8728	8115	1 3/8" - 6 SPL.	1 1/2" ROUND	1 1/4" - 19 SPL.
	8729	8999	8251	1 3/8" - 6 SPL.	40mm	1 1/4" - 19 SPL.
	9000	9104	8115	1 3/8" - 6 SPL.	1 1/2" ROUND	1 1/4" - 19 SPL.
	9105	and up	8251	1 3/8" - 6 SPL.	40mm	1 1/4" - 19 SPL.
P-862(TRC)	2605	8728	8115	1 3/8" - 6 SPL.	1 1/2" ROUND	1 1/4" - 19 SPL.
	8729	8999	8251	1 3/8" - 6 SPL.	40mm	1 1/4" - 19 SPL.
	9000	9104	8115	1 3/8" - 6 SPL.	1 1/2" ROUND	1 1/4" - 19 SPL.
	9105	9945	8251	1 3/8" - 6 SPL.	40mm	1 1/4" - 19 SPL.
	9946	10793	8270	1 3/8" - 6 SPL.	1 5/8"	1 1/4" - 19 SPL.
	10794	and up	8251	1 3/8" - 6 SPL.	40mm	1 1/4" - 19 SPL.
P-INV-74 & P-INV-80	33233	and up	8251	1 3/8" - 6 SPL.	40mm	1 1/4" - 19 SPL.
P-860-IV/ P-920-IV & P-1020-IV	8100	8107	8115	-----	1 1/2" ROUND	1 1/4" - 19 SPL.
	8841	and up	190-01491	-----	40mm	1 1/4" - 19 SPL.
P-892(TRC)	84121089	85121639	9229	2" ROUND	2" ROUND	1 3/8" - 6 SPL.
	85121640	85121684	6316	1 3/4" ROUND	2" ROUND	1 3/4" - 20 SPL.
P-920(TRC)/ P-920(TRC)-98 & P-922(TRC)	84121089	85101450	9229	2" ROUND	2" ROUND	1 3/8" - 6 SPL.
	85121575	86011694	6316	1 3/4" ROUND	2" ROUND	1 3/4" - 20 SPL.
	9946	11586	9522	1 3/4" - 20 SPL.	2" ROUND	1 3/4" - 20 SPL.
	11587	and up	9307	1 3/4" - 20 SPL.	2" ROUND	1 3/4" - 20 SPL.
P-992(TRC) & P-981(34)(TRC)	1820	2555	6390	1 3/4" - 20 SPL.	2" ROUND	1 3/4" - 20 SPL.
	2556	and up	9307	1 3/4" - 20 SPL.	2" ROUND	1 3/4" - 20 SPL.
P-980(TRC)/ P-1020(TRC) & P-1040(TRC)	84121089	85101450	9229	2" ROUND	2" ROUND	1 3/8" - 6 SPL.
	85121575	86011694	6316	1 3/4" ROUND	2" ROUND	1 3/4" - 20 SPL.
	2605	and up	9307	1 3/4" - 20 SPL.	2" ROUND	1 3/4" - 20 SPL.



INDUSTRIAL AND MOTORIZED SERIES

GEARBOX CHART

MODEL	SERIAL NO		PART NO	SHAFTS SPECIFICATIONS		
	FROM	TO		INPUT (PTO)	OUTPUT (FAN)	OUTPUT (SIDE)
PGS-740 & PGS-800	34927	and up	8251	1 3/8" - 6 SPL.	40mm	1 1/4" - 19 SPL.
PGS-1020TRC	30836	and up	9307	1 3/4" - 20 SPL.	2" ROUND	1 3/4" - 20 SPL.
P-982TRC-150	14948	and up	9307	1 3/4" - 20 SPL.	2" ROUND	1 3/4" - 20 SPL.
P-1022TRC-180M	16199	17681	9645	-----	2 1/2" ROUND	1 3/4" - 20 SPL.
P-1022TRC-150	14526	and up	9597	1 3/4" - 20 SPL.	2 1/2" ROUND	1 3/4" - 20 SPL.
PGV-1021TRC-150	28327	and up	9713	1 3/4" - 20 SPL.	2" ROUND	1 3/4" - 20 SPL.
PGV-1022TRC-200 & PGV-1022TRC-220	29377	and up	9714	1 3/4" - 20 SPL.	2 1/2" ROUND	1 3/4" - 20 SPL.
P-922(TRC)-98-93M	35189	and up	9307	-----	2" ROUND	1 3/4" - 20 SPL.



PUMA - LYNX SERIES

GEARBOX CHART

MODEL	SERIAL NO		PART NO	SHAFTS SPECIFICATIONS		
	FROM	TO		INPUT (PTO)	OUTPUT (FAN)	OUTPUT (SIDE)
LYNX-52/62/70	all		6550	1" ROUND	1" ROUND	1" - 15 SPL.
PUMA-48/54	1001	and up	6550	1" ROUND	1" ROUND	1" - 15 SPL.
PUMA-64	1001	33352	6550	1" ROUND	1" ROUND	1" - 15 SPL.
	33353	and up	6451	1 3/8" - 6 SPL.	1 1/4" ROUND	1 1/4" - 19 SPL.
PUMA-72	1001	30835	6550	1" ROUND	1" ROUND	1" - 15 SPL.
	30836	and up	6451	1 3/8" - 6 SPL.	1 1/4" ROUND	1 1/4" - 19 SPL.
PUMA-74	1001	22924	8251	1 3/8" - 6 SPL.	40mm	1 1/4" - 19 SPL.
	22925	33352	6451	1 3/8" - 6 SPL.	1 1/4" ROUND	1 1/4" - 19 SPL.
	33353	and up	8251	1 3/8" - 6 SPL.	40mm	1 1/4" - 19 SPL.
PUMA-84/94	1001	and up	8251	1 3/8" - 6 SPL.	40mm	1 1/4" - 19 SPL.
PUMA-96	36767	and up	9307	1 3/4" - 20 SPL.	2" ROUND	1 3/4" - 20 SPL.



GEARBOX CHART

MODEL	SERIAL NO		PART NO	SHAFTS SPECIFICATIONS		
	FROM	TO		INPUT (PTO)	OUTPUT (FAN)	OUTPUT (SIDE)
PXP-860 & PXP-860-92	19483	20721	8251	1 3/8" - 6 SPL.	40mm	1 1/4" - 19 SPL.
PXP-920 & PXP-920-98	19483	20721	9307	1 3/4" - 20 SPL.	2" ROUND	1 3/4" - 20 SPL.
PXPL-86 & PXPL-86-92	21056	and up	8251	1 3/8" - 6 SPL.	40mm	1 1/4" - 19 SPL.
PXPL-92 & PXPL-92-98	21056	and up	9307	1 3/4" - 20 SPL.	2" ROUND	1 3/4" - 20 SPL.



PRONOVOST SERIES

SEPT. 2012

SHEAR BOLT

1 of 2

MODEL	SERIAL NO		PTO	AUGER DRIVE	
	FROM	TO		SHAFT	DRUM
P-480 & P-540(TRC)	8411290	8602450	6207	1/4" x 1"	-----
	2058	33352	6207	1/4" x 2"	1/4" x 2"
	33353	35292	6207	1/4" x 1 1/2"	-----
	35293	and up	6207	1/4" x 2"	-----
P-620(TRC)	8411290	8510336	6207	1/4" x 2"	-----
	8510337	8602450	6238	1/4" x 2"	-----
	3726	33352	6207	1/4" x 2"	1/4" x 2"
	33353	35292	6207	1/4" x 1 1/2"	-----
	35293	and up	6207	1/4" x 2"	-----
P-640	2058	3725	6238	1/4" x 2"	-----
P-680(TRC)	3726	33352	6238	1/4" x 2"	1/4" x 2"
	33353	35292	6238	1/4" x 1 1/2"	-----
	35293	and up	6238	1/4" x 2"	-----
P-720(TRC)/ P-720-74(TRC)/ P-720-80 & P-720-8028	7318	33352	8072	1/4" x 2"	1/4" x 2"
	33353	35292	8072	1/4" x 1 1/2"	-----
	35293	and up	8072	1/4" x 2"	-----
P-740(TRC) & P-800(TRC)	8409811	13618	8072	1/4" x 2"	3/8" x 2"
	13619	33352	8072	1/4" x 2"	3/8" x 2 1/4"
	33353	35730	8072	1/4" x 1 1/2"	-----
	35731	and up	8072	1/4" x 2"	-----
P-860(TRC)/ P-862(TRC) & P-860(TRC)-92	8409811	7317	8072	1/4" x 2"	3/8" x 2"
	7318	13618	8218	1/4" x 2"	3/8" x 2"
	13619	33352	8218	1/4" x 2"	3/8" x 2 1/4"
	33353	35730	8218	1/4" x 1 1/2"	-----
	35731	and up	8218	1/4" x 2"	-----
P-INV-74 & P-INV-80	33233	35730	8072	1/4" x 1 1/2"	-----
	35731	and up	8072	1/4" x 2"	-----
P-860-IV	8100	8107	8072	1/4" x 2"	-----
	8841	33352	8218	1/4" x 2"	-----
	33353	35730	8218	1/4" x 1 1/2"	-----
	35731	and up	8218	1/4" x 2"	-----
P-920-IV & P-1020-IV	10510	33352	8218	1/4" x 2"	-----
	33353	35730	8218	1/4" x 1 1/2"	-----
	35731	and up	8218	1/4" x 2"	-----
P-920(TRC)/ P-920(TRC)-98 & P-922(TRC)	84121089	13618	9207	5/16" x 2"	3/8" x 2"
	13619	16199	9207	3/8" x 2 1/4"	3/8" x 2 1/4"
	16200	33352	9207	5/16" x 2"	3/8" x 2 1/4"
	33353	35730	9207	5/16" x 1 1/2"	-----
	35731	and up	9207	5/16" x 2"	-----



PRONOVOST SERIES

SEPT. 2012

SHEAR BOLT

2 of 2

MODEL	SERIAL NO		PTO	AUGER DRIVE	
	FROM	TO		SHAFT	DRUM
P-892(TRC)	85121640	85121684	9207	5/16" x 2"	3/8" x 2"
P-992(TRC)/ P-981(TRC) & P-981(34)(TRC)	1820	13618	9207	5/16" x 2"	3/8" x 2"
	13619	16199	9207	3/8" x 2 1/4"	-----
	16200	33352	9207	5/16" x 2"	-----
	33353	35730	9207	5/16" x 1 1/2"	-----
	35731	and up	9207	5/16" x 2"	-----
P-980(TRC) & P-1020(TRC) & P-1040(TRC)	84121089	13618	9207	5/16" x 2"	3/8" x 2"
	13619	33352	9207	3/8" x 2 1/4"	-----
	33353	35730	9207	3/8" x 1 1/2"	-----
	35731	and up	9207	3/8" x 2 1/4"	-----

OPTION PTO T80 ON BLOWERS GROUP 2	2 possibilities	8218 or 9207-375
--------------------------------------	-----------------	---------------------

OPTION PTO T80 WITH REDUCER 1000/540 RPM	2 possibilities	8218 or 9207-375
---	-----------------	---------------------

OPTION PTO T90 WITH REDUCER 1000/540 RPM	All	9207-375
---	-----	----------

- 6207 = M6 X 40mm GR. 8.8
- 6238 = M8 X 50mm GR. 8.8
- 8072 = M10 X 55mm GR. 8.8
- 8218 = M10 X 60mm GR. 8.8
- 9207 = M12 X 60mm GR. 10.9
- 9207-375 = M12 X 60mm machined to 3/8" GR. 8.8

N.B. All bolts 1/4", 5/16" and 3/8" are grade 5.



SHEAR BOLT

MODEL	SERIAL NO		PTO	AUGER DRIVE SHAFT
	FROM	TO		
PGS-740 & PGS-800	34927	and up	8218	5/16" x 2"
PGS-1020TRC	30836	and up	9207	7/16" x 2 1/4"
P-982TRC-150	14948	and up	9207	7/16" x 2 1/4"
P-1022TRC-180M	16199	17681	-----	7/16" x 2 1/2"
P-1022TRC-200	14526	and up	9207	7/16" x 2 1/4"
PGV-1021TRC-150	28327	and up	9207	7/16" x 2 1/4"
PGV-1022TRC-200 & PGV-1022TRC-220	29377	and up	9207	7/16" x 2 1/4"
P-922(TRC)-98-93M	35189	and up	-----	5/16" x 2"
OPTION PTO T80 ON BLOWERS GROUP 2	2 possibilities		8218 or 9207-375	
OPTION PTO T80 WITH REDUCER 1000/540 RPM	2 possibilities		8218 or 9207-375	
OPTION PTO T90 WITH REDUCER 1000/540 RPM	All		9207-375	

8218 = M10 X 60mm GR. 8.8

9207 = M12 X 60mm GR. 10.9

9207-375 = M12 X 60mm machined to 3/8" GR. 8.8

N.B. All bolts 7/16" are grade 5.



PUMA - LYNX SERIES

SHEAR BOLT

MODEL	SERIAL NO		PTO	AUGER DRIVE SHAFT
	FROM	TO		
LYNX-52/62/70	all		6207	1/4" x 1"
PUMA-48/54/64	1001	and up	6207	1/4" x 1"
PUMA-72	1001	30835	6207	1/4" x 1"
	30836	and up	6238	1/4" x 1"
PUMA-74	1001	1218	8072	1/4" x 1 1/4"
	1219	22924	8072	5/16" x 1 1/4"
	22925	and up	6238	1/4" x 1 1/4"
PUMA-84	1001	1218	8072	1/4" x 1 1/4"
	1219	and up	8072	5/16" x 1 1/4"
PUMA-94	1001	1218	8218	1/4" x 1 1/4"
	1219	and up	8218	5/16" x 1 1/4"
PUMA-96	36767	and up	9207	5/16" x 2"

- 6207 = M6 X 40mm GR. 8.8
- 6238 = M8 X 50mm GR. 8.8
- 8072 = M10 X 55mm GR. 8.8
- 8218 = M10 X 60mm GR. 8.8
- 9207 = M12 X 60mm GR. 10.9

N.B. All bolts 1/4"and 5/16" are grade 5.



SHEAR BOLT

<u>MODEL</u>	<u>SERIAL NO</u>		<u>PTO</u>	<u>AUGER DRIVE SHAFT</u>
	<u>FROM</u>	<u>TO</u>		
PXP-860 & PXP-860-92	19483	20721	8218	1/4" x 2"
PXP-920 & PXP-920-98	19483	20721	9207	5/16" x 2"
PXPL-860 & PXPL-860-92	21056	33352	8218	1/4" x 2"
	33353	35292	8218	1/4" x 1 1/2"
	35293	and up	8218	1/4" x 2"
PXPL-920 & PXPL-920-98	21056	33352	9207	5/16" x 2"
	33353	35292	9207	5/16" x 1 1/2"
	35293	and up	9207	5/16" x 2"

"X-PRO" model : refer to snowblower model
in pages D-1 and D-2.

8218 = M10 X 60mm GR. 8.8

9207 = M12 X 60mm GR. 10.9

N.B. All bolts 1/4"and 5/16" are grade 5.



PRONOVOST SERIES

WELD-ON LINER FOR DRUM

MODEL	SERIAL		DRUM DIMENSIONS	LINER FOR FIXED DRUM	LINER FOR ROTARY DRUM
	FROM	TO			
P-480 & P-540(TRC)	8510337	7317	20" x 8"	6308-R	-----
	7318	10793	22" x 9"	110-02241-R	110-02241-RT
	10794	14948	22" x 9"	110-02241-R	110-02241-RT
	14949	and up	22" x 9"	110-02241-R	110-02241-RT
P-620(TRC)	8510337	8602450	22" x 9"	6309-R	-----
	3726	7317	20" x 8"	6308-R	-----
	7318	10793	22" x 9"	110-02241-R	110-02241-RT
	10794	14948	22" x 9"	110-02241-R	110-02241-RT
	14949	and up	22" x 9"	110-02241-R	110-02241-RT
P-640	2058	3725	22" x 9"	6309-R	-----
P-680(TRC) & P-720(TRC)	3726	7317	22" x 9"	6309-R	-----
	7318	10793	24" x 9"	6524-R	6524-RT
	10794	14948	24" x 9"	6524-R	6524-RT
	14949	16199	24" x 9"	6524-R	6524-RT
	16200	17652	24" x 10 1/2"	110-18991-R	110-18991-RT
	17653	22924	24" x 10 1/2"	110-18991-R	110-18991-RT
	22925	24724	24" x 10 1/2"	110-18991-R	110-18991-RT
P-720(TRC)-74 & P-720-80	24725	and up	24" x 10 1/2"	110-18991-R	110-18991-RT
	16200	17652	24" x 10 1/2"	110-18991-R	110-18991-RT
	17653	22924	24" x 10 1/2"	110-18991-R	110-18991-RT
P-720-8028	22925	and up	26" x 10 1/2"	110-28831-R	110-28831-RT
	33353	and up	28" x 10 1/2"	110-44571-R	-----
P-740(TRC) & P-800(TRC)	8409811	7317	26" x 11"	8026-R	8026-RT
	7318	13618	26" x 12"	8193-R	8193-RT
	13619	17820	26" x 12"	8193-R	8193-RT
	17821	and up	26" x 12"	8193-R	8193-RT
P-860(TRC)/ P-862(TRC) & P-860(TRC)-92	8409811	7317	26" x 11"	8026-R	8026-RT
	7318	17820	28" x 12"	8194-R	8194-RT
	17821	and up	28" x 12"	8194-R	8194-RT
P-INV-74 & P-INV-80	33353	and up	26" x 9"	110-44242-R	-----
P-860-IV/ P-920-IV & P-1020-IV	8100	8107	26" x 11"	8026-IV-R	-----
	10510	26605	26" x 12"	8193-R	-----
	Exception	25973	28" x 12"	8194-R	-----
	26606	and up	28" x 12"	8194-R	-----
P-892(TRC)	85121640	85121684	26" x 10"	8926-R	8926-RT



PRONOVOST SERIES

WELD-ON LINER FOR DRUM

<u>MODEL</u>	<u>SERIAL FROM</u>	<u>SERIAL TO</u>	<u>DRUM DIMENSIONS</u>	<u>LINER FOR FIXED DRUM</u>	<u>LINER FOR ROTARY DRUM</u>
P-920(TRC) & P-920(TRC)-98	84121089	85101450	30" x 10 1/2"	9284-R	9284-RT
	10794	13618	30" x 12"	110-04741-R	110-04741-RT
	13619	17820	30" x 12"	110-04741-R	110-04741-RT
	17821	22924	30" x 12"	110-04741-R	110-04741-RT
	22925	and up	30" x 12"	110-04741-R	110-04741-RT
P-992(TRC)	1820	3725	26" x 10"	8926-R	8926-RT
	3726	4964	28" x 12"	9301-R	9301-RT
	4965	7317	28" x 12"	9301-R	9301-RT
	7318	16199	30" x 15"	9423-R	9423-RT
	16200	22924	30" x 15"	9423-R	9423-RT
	22925	and up	30" x 15"	9423-R	9423-RT
P-98134(TRC) & P-922(TRC)	22925	24724	30" x 15"	9423-R	9423-RT
	24725	and up	34" x 12"	110-32481-R	110-32481-RT
P-980(TRC)/ P-1020(TRC)& P-1040(TRC)	84121089	85101450	30" x 10 1/2"	9284-R	9284-RT
	2605	4964	32" x 12"	9302-R	9302-RT
	4965	7317	32" x 12"	9302-R	9302-RT
	7318	16199	34" x 15"	9424-R	9424-RT
	16200	16441	34" x 15"	9424-R	9424-RT
	16442	17820	34" x 15"	9424-R	9424-RT
	17821	22924	34" x 15"	9424-R	9424-RT
	22925	and up	34" x 15"	9424-R	9424-RT

- Weld-on liners are made with 3/16" thick steel.
- Weld-on liners are 3/8" narrower than drum to allow welding on each side.

N.B. All weld-on liners are available in QT450 hardened steel:

-Add T1 at the end of the number to order.



INDUSTRIAL AND MOTORIZED SERIES

WELD-ON LINER FOR DRUM

<u>MODEL</u>	<u>SERIAL</u> <u>FROM</u>	<u>TO</u>	<u>DRUM</u> <u>DIMENSIONS</u>	<u>LINER FOR</u> <u>FIXED DRUM</u>	<u>LINER FOR</u> <u>ROTARY DRUM</u>
PGS-740 & PGS-800	34927	and up	28" x 10 1/2"	110-44571-R-T1	-----
PGS-1020TRC	30836	and up	34" x 15"	-----	9424-RT-T1
P-982TRC-150	14948	24724	30" x 15"	-----	9423-RT-T1
	24725	and up	34" x 15"	-----	9424-RT-T1
P-1022TRC-180M	16199	17681	34" x 15"	-----	9424-RT-T1
P-1022TRC-200	14526	26605	34" x 15"	-----	9424-RT-T1
	26606	and up	37" x 15"	-----	110-29311-RT-T1
PGV-1021TRC-150	28327	and up	34" x 15"	-----	9424-RT-T1
PGV-1022TRC-200 & PGV-1022TRC-220	29377	and up	37" x 15"	-----	110-29311-RT-T1
P-922(TRC)-98-93M	35189	and up	34" x 12"	110-32481-R-T1	110-32481-RT-T1

- Weld-on liners are made with 3/16" thick QT450 hardened steel.
- Weld-on liners are 3/8" narrower than drum to allow welding on each side.



PUMA - LYNX SERIES
WELD-ON LINER FOR DRUM

<u>MODEL</u>	<u>FROM</u>	<u>SERIAL TO</u>	<u>DRUM DIMENSIONS</u>	<u>LINER FOR DRUM</u>
LYNX-52/62/70		all	21" x 6"	110-40461-R
PUMA-48/54	1001	and up	20" x 6"	110-02871-R
PUMA-64	1001	33352	20" x 6"	110-02871-R
	33353	and up	22" x 7"	110-42641-R
PUMA-72	1001	30835	20" x 7"	110-02871-R
	30836	and up	22" x 7"	110-42641-R
PUMA-74	1001	33352	22" x 8"	110-03031-R
	33353	and up	24" x 8"	110-03033-R
PUMA-84/94	1001	and up	26" x 11"	110-03201-R
PUMA-96	36767	and up	32" x 11"	110-52441-R

- Weld-on liners are 3/8" narrower than drum to allow welding on each side.



PXP & PXPL SERIES

WELD-ON LINER FOR DRUM

<u>MODEL</u>	<u>FROM</u>	<u>SERIAL</u> <u>TO</u>	<u>DRUM</u> <u>DIMENSIONS</u>	<u>LINER FOR</u> <u>DRUM</u>
PXP-860 & PXP-860-92	19483	20721	28" x 12"	8194-R
PXP-920 & PXP-920-98	19483	20721	30" x 12"	110-04741-R
PXPL-86 & PXPL-86-92	21056	and up	28" x 12"	8194-R
PXPL-92 & PXPL-92-98	21056	and up	32" x 12"	110-25371-R

- Weld-on liners are made with 3/16" thick steel.
- Weld-on liners are 3/8" narrower than drum to allow welding on each side.

**N.B. All weld-on liners are available in QT450 hardened steel:
-add T1 at the end of the number to order.**

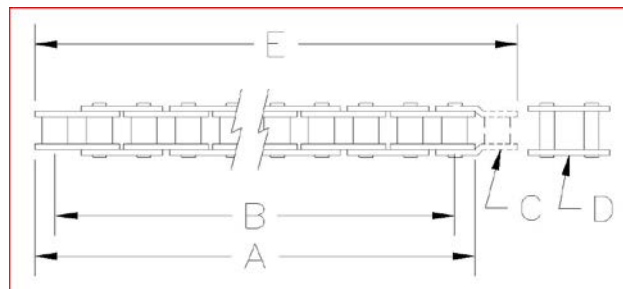


CHAIN CHART

MODEL	SERIAL		No	DIM.	DIM.	"C"	DIM.	NUMBER OF ROLLERS	PART #
	FROM	TO		"A"	"B"		"E"		
P-480/P-540(TRC) & P-620(TRC)	all		#50	60"	59 3/8"	NO	-----	96	190-01421
P-640/P-680(TRC) & P-720(TRC)	Beginning	17652	#60	66"	65 1/4"	YES	66 3/4"	89	190-01433
	17653	and up	#60	70 1/2"	69 3/4"	YES	71 1/4"	95	190-05871
P-720(TRC)-74/ P-720-80 & P-720-8028	16200	17652	#60	66"	65 1/4"	YES	66 3/4"	89	190-01433
	17653	22924	#60	70 1/2"	69 3/4"	YES	71 1/4"	95	190-05871
	22925	and up	#60	69"	68 1/4"	YES	69 3/4"	93	190-04702
P-740(TRC)/P-800(TRC)/ P-860(TRC) & P-860(TRC)-92	Beginning	9945	#60	76 1/2"	75 3/4"	NO	-----	102	190-01440
	9946	and up	#80	78"	77"	NO	-----	78	190-01441
P-862(TRC) Upper auger only	Beginning	8728	#60	76 1/2"	75 3/4"	NO	-----	102	190-01440
	9000	9104	#60	76 1/2"	75 3/4"	NO	-----	102	190-01440
	8729	8999	#80	78"	77"	NO	-----	78	190-01441
	9105	33352	#80	78"	77"	NO	-----	78	190-01441
	Beginning	33352	#60	64 1/2"	63 3/4"	NO	-----	86	190-01301
	33353	and up	#80	110"	109"	NO	-----	110	190-11821
P-INV-74 & P-INV-80	33233	33234	#60	48"	47 1/4"	NO	-----	64	-----
	33352	and up	#60	45"	44 1/4"	YES	45 3/4"	61	190-12331
P-860-IV	8100	8107	#60	72"	71 1/4"	NO	-----	96	-----
	8841	and up	#80	72"	71"	NO	-----	72	190-01401
P-920-IV & P-1020-IV	10510	and up	#80	72"	71"	NO	-----	72	190-01401

"C" : One offset link is required to obtain odd number of rollers.
The offset link is not included in the box.

"D" : The connecting link is included in the box.



N.B. Lengths shown above are the longest chain used for these models.
Some chains may require offset links for better adjustment.



PRONOVOST SERIES

SEPT. 2012

2 of 2

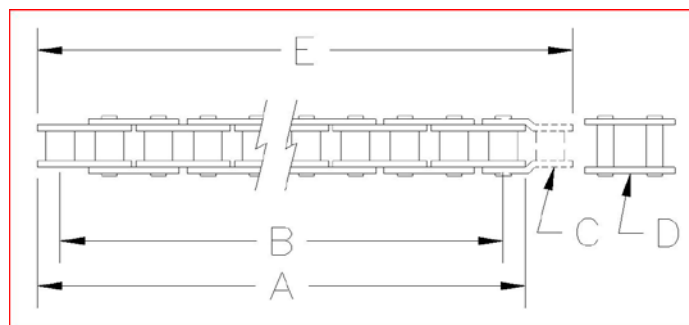
CHAIN CHART

MODEL	SERIAL		No	DIM. "A"	DIM. "B"	"C"	DIM. "E"	NUMBER OF ROLLERS	PART #
	FROM	TO							
P-920(TRC) & P-920(TRC)-98	all		#80	80"	79"	NO	-----	80	190-00431
P-922(TRC)	With 1 auger	33353 and up	#80	80"	79"	NO	-----	80	190-00431
	With 2 augers	33353 and up	#80	116"	115"	NO	-----	116	110-45912
P-992(TRC)	Upper auger only	Beginning 7316	#80	80"	79"	NO	-----	80	190-00431
		7318 33352	#80	86"	85"	NO	-----	86	190-01451
	With 1 auger	Beginning 33352	#60	67 1/2"	66 3/4"	NO	-----	90	190-01471
	With 1 auger	33353 and up	#80	86"	85"	NO	-----	86	190-01451
	With 2 augers	33353 and up	#80	118"	117"	YES	119"	119	110-45911
P-981(TRC)	22925	24724	#80	86"	85"	NO	-----	86	190-01451
P-98134(TRC)	24725	and up	#80	80"	79"	NO	-----	80	190-00431
P-980(TRC)/ P-1020(TRC) & P-1040(TRC)	Upper auger only	2605 8728	#80	86"	85"	NO	-----	86	190-01451
		9000 9104	#80	86"	85"	NO	-----	86	190-01451
	With 1 auger	8729 8999	#100	90"	88 3/4"	NO	-----	72	190-01461
		9105 33352	#100	90"	88 3/4"	NO	-----	72	190-01461
		Beginning 33352	#60	70 1/2"	69 3/4"	NO	-----	94	190-00581
		33353 and up	#100	90"	88 3/4"	NO	-----	72	190-01461
With 2 augers	33353 and up	#100	126 1/4"	125"	NO	-----	101	110-46081	

"C" : One offset link is required to obtain odd number of rollers.

The offset link is not included in the box.

"D" : The connecting link is included in the box.



N.B. Lengths shown above are the longest chain used for these models.

Some chains may require offset links for better adjustment.



CHAIN CHART

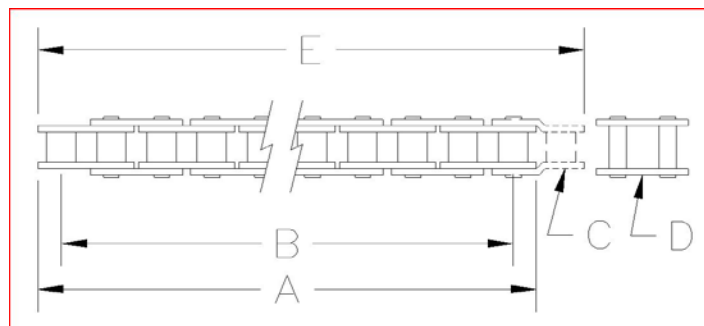
MODEL	SERIAL		No	DIM.	DIM.	"C"	DIM.	NUMBER OF ROLLERS	PART #
	FROM	TO		"A"	"B"		"E"		
PGS-740 & PGS-800	34927	and up	# 80	81"	80"	NO	-----	81	190-13441
PGS-1020TRC	30836	and up	# 100H	105"	103 3/4"	YES	106 1/4"	85	190-12051 *
P-982TRC-150	14526	16199	# 100H	110"	108 3/4"	YES	111 1/4"	89	190-03451 *
	16200	24724	# 100H	115"	113 3/4"	NO	-----	92	190-03452 *
	24725	and up	# 100H	117 1/2"	116 1/4"	YES	118 3/4"	95	190-07941 *
P-1022TRC-180M	16199	17681	# 100H	115"	113 3/4"	NO	-----	92	190-03452 *
P-1022TRC-200	14526	16199	# 100H	110"	108 3/4"	YES	111 1/4"	89	190-03451 *
	16200	26605	# 100H	115"	113 3/4"	NO	-----	92	190-03452 *
	26606	and up	# 100H	120"	118 3/4"	NO	-----	96	190-07971
PGV-1021TRC-150	28327	and up	# 100H	100"	98 3/4"	YES	101 1/4"	81	190-11281 *
PGV-1022TRC-200 & PGV-1022TRC-220	29377	and up	# 100H	155"	153 3/4"	YES	156 1/4"	125	190-11691
P-922(TRC)-98-93M	35189	and up	# 80	116"	115"	NO	-----	116	110-45912

* These chains are replaced by part no 190-07971.

All chains for Industrial snowblowers are **Renold** brand.

"C" : One offset link is required to obtain odd number of rollers.
The offset link is not included in the box.

"D" : The connecting link is included in the box.



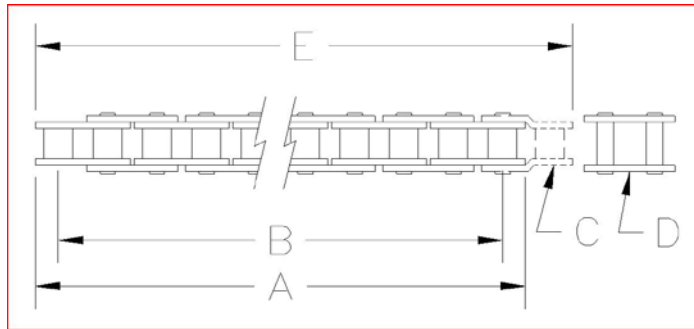
N.B. Lengths shown above are the longest chain used for these models.
Some chains may require offset links for better adjustment.

CHAIN CHART

MODEL	SERIAL		No	DIM. "A"	DIM. "B"	"C"	DIM. "E"	NUMBER OF ROLLERS	PART #
	FROM	TO							
LYNX-52/62/70	all		# 50	50"	49 3/8"	NO	-----	80	190-11261
PUMA-48/54	1001	33352	# 50	51 1/4"	50 5/8"	NO	-----	82	190-00501
	33353	and up	# 50	52 1/2"	51 7/8"	NO	-----	84	190-00502
PUMA-64	1001	33352	# 50	51 1/4"	50 5/8"	NO	-----	82	190-00501
	33353	and up	# 50	53 3/4"	53 1/8"	YES	54 3/8"	87	190-11902
PUMA-72	1001	30835	# 50	51 1/4"	50 5/8"	NO	-----	82	190-00501
	30836	33352	# 50	52 1/2"	51 7/8"	YES	53 1/8"	85	190-11901
	33353	and up	# 50	53 3/4"	53 1/8"	YES	54 3/8"	87	190-11902
PUMA-74	1001	22924	# 60	63"	62 1/4"	NO	-----	84	190-00551
	22925	33352	# 60	61 1/2"	60 3/4"	NO	-----	82	190-00552
	33353	and up	# 60	63"	62 1/4"	YES	63 3/4"	85	190-13091
PUMA-84 & PUMA-94	1001	and up	# 60	70 1/2"	69 3/4"	NO	-----	94	190-00581
PUMA-96	36767	and up	# 80	80"	79"	NO	-----	80	190-00431

"C" : One offset link is required to obtain odd number of rollers.
The offset link is not included in the box.

"D" : The connecting link is included in the box.



N.B. Lengths shown above are the longest chain used for these models.
Some chains may require offset links for better adjustment.

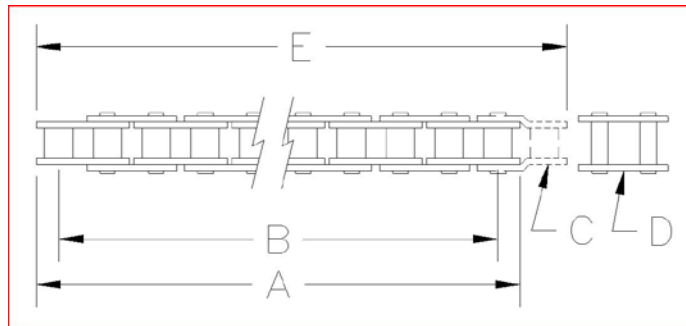


CHAIN CHART

MODEL	SERIAL		No	DIM.	DIM.	"C"	DIM.	NUMBER OF ROLLERS	PART #
	FROM	TO		"A"	"B"		"E"		
PXP-860 & PXP-860-92	19483	20721	# 80	78"	77"	NO	-----	78	190-01441
PXP-920 & PXP-920-98	19483	20721	# 80	80"	79"	NO	-----	80	190-00431
PXPL-86 & PXPL-86-92	21056	and up	# 80	72"	71"	NO	-----	72	190-01401
PXPL-92 & PXPL-92-98	21056	and up	# 80	76"	75"	NO	-----	76	190-07271

"C" : One offset link is required to obtain odd number of rollers.
The offset link is not included in the box.

"D" : The connecting link is included in the box.



N.B. Lengths shown above are the longest chain used for these models.
Some chains may require offset links for better adjustment.



PRONOVOST SERIES

3-PTS HITCH COMPONENTS CHART

MODEL	SERIAL #		UPPER HITCH	SIDE BAR	LEFT LOWER HITCH	RIGHT LOWER HITCH	HITCH REINFORCEMENT	HITCH PIN	UPPER HITCH PIN
	FROM	TO							
P-480	8411290	7317	6290	6250	6252	6252	-----	6253	-----
P-540	8411290	7317	6290	6250	6252	6252	-----	6253	-----
	7318	24724	6504	6517	6252	6252	-----	6253	-----
	24725	26605	110-33871	140-20371	110-33761	110-33762	-----	6253	150-06011
	26606	and up	110-33871	140-20371	110-36771	110-36772	-----	6253	150-06012
P-620	8411290	8602450	6291	6251	6252	6252	-----	6253	-----
	3726	7317	6290	6250	6252	6252	-----	6253	-----
	7318	24724	6504	6517	6252	6252	-----	6253	-----
	24725	26605	110-33871	140-20371	110-33761	110-33762	-----	6253	150-06011
	26606	and up	110-33871	140-20371	110-36771	110-36772	-----	6253	150-06012
P-540TRC/P-620TRC	7318	24724	6502	6516	6252	6252	-----	6253	-----
P-640	2058	3725	6291	6251	6252	6252	-----	6253	-----
P-680 & P-720	3726	7317	6291	6251	6252	6252	-----	6253	-----
	7318	22924	6505	6519	6252	6252	-----	6253	-----
	22925	24724	110-28861	6519	6252	6252	-----	6253	-----
	24725	26605	110-28862	140-20281	110-33761	110-33762	-----	6253	150-06011
	26606	and up	110-28862	140-20281	110-36771	110-36772	-----	6253	150-06012
P-720-74 & P-720-80	16200	22924	6505	6519	6252	6252	-----	6253	-----
	22925	24724	110-28861	140-17431	6252	6252	-----	6253	-----
	24725	26605	110-28862	140-17432	110-33761	110-33762	-----	6253	150-06011
	26606	and up	110-28862	140-17432	110-36771	110-36772	-----	6253	150-06012
P-720-8028	33353	and up	110-28862	140-25621	110-36771	110-36772	-----	6253	150-06012
P-680TRC / P-720TRC & P720TRC-74	7318	22924	6503	6518	6252	6252	-----	6253	-----
	22925	24724	110-28841	6518	6252	6252	-----	6253	-----
	24725	26605	110-28842	140-20531	110-33761	110-33762	-----	6253	150-06011
	26606	and up	110-28842	140-20531	110-36771	110-36772	-----	6253	150-06012
P-740 & P-800	8409811	14948	8016	8005	8935	8936	-----	8004	-----
	14949	28326	110-15091	140-10881	110-15051	110-15052	140-10861	8004	150-05961
	28327	and up	110-15091	140-10882	110-15051	110-15052	140-10862	8004	150-05961
P-860 / P-860-92 & P-862	8409811	7317	8016	8005	8935	8936	-----	8004	-----
	7318	14948	8182	8036	8935	8936	-----	8004	-----
	14949	28326	110-15091	140-10751	110-15051	110-15052	140-10871	8004	150-05961
	28327	and up	110-15091	140-23531	110-15051	110-15052	140-10872	8004	150-05961
P-INV-74 & P-INV-80	33233	33234	110-44371	140-17432	110-44232	110-44231	-----	6253	150-06011
	33353	and up	110-44372	140-25941	110-44234	110-44233	-----	6253	150-06012
P-860TRC / P-860TRC-92 & P-862TRC	8409811	7317	8042	8036	8935	8936	-----	8004	-----
	7318	14948	8233	8180	8935	8936	-----	8004	-----
	14949	and up	110-15071	140-10691	110-15051	110-15052	140-10651	8004	150-05961
P-740TRC & P-800TRC	8409811	14948	8042	8036	8935	8936	-----	8004	-----
	14949	and up	110-15091	140-10751	110-15051	110-15052	140-10851	8004	150-05961
P-860-IV/ P-920-IV & P-1020-IV	8100	8107	A-5353	8005	8935	8936	-----	8004	-----
	8841	13618	110-06031	8005	110-06001	110-05991	-----	8004	-----
	13619	14948	110-11461	140-07991	110-12921	110-12922	-----	9269	-----
	14949	19481	110-15691	140-11141	110-15681	110-15682	-----	9269	-----
	19482	and up	110-15691	140-11142	110-15681	110-15682	-----	9269	150-05961
P-892	85121640	85121684	8927	8005	8935	8936	-----	8004	-----
P-892TRC	85121640	85121684	8927	8036	8935	8936	-----	8004	-----



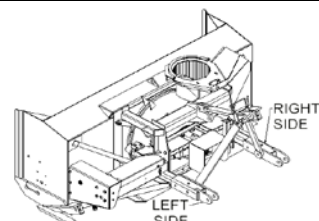
PRONOVOST SERIES

3-PTS HITCH COMPONENTS CHART

MODEL	SERIAL #		UPPER HITCH	SIDE BAR	LEFT LOWER HITCH	RIGHT LOWER HITCH	HITCH REINFORCEMENT	HITCH PIN	UPPER HITCH PIN	
	FROM	TO								
P-920 & P-920-98	84121089	85101450	9273	9272	9270	9271	-----	9269	-----	
	9946	12420	110-00811	9443	110-00771	110-01591	-----	9269	-----	
	12421	14948	110-07521	140-05491	110-00771	110-01591	140-03431	9269	-----	
	14949	16199	110-15261	140-05492	110-15211	110-15212	140-03432	9269	-----	
	16200	22924	110-15421	140-05492	110-15213	110-15214	140-03431	9269	150-05961	
	22925	and up	110-15421	140-05493	110-15213	110-15214	140-03441	9269	150-05961	
P-920TRC & P-920TRC-98	84121089	85101450	9304	9272	9270	9271	-----	9269	-----	
	9946	12420	110-00781	9444	110-00771	110-01591	-----	9269	-----	
	12421	14948	110-07511	140-05471	110-00771	110-01591	140-03441	9269	-----	
	14949	16199	110-15311	140-05472	110-15211	110-15212	140-03442	9269	-----	
	16200	and up	110-15311	140-05472	110-15213	110-15214	140-03441	9269	150-05961	
P-981(34) & P-922	22925	24724	110-15421	140-05493	110-15213	110-15214	140-03441	9269	150-05961	
	24725	and up	110-15421	140-05592	110-15213	110-15214	140-03561	9269	150-05961	
P-981(34)TRC & P-922TRC	22925	24724	110-15531	140-05472	110-15213	110-15214	140-03441	9269	150-05961	
	24725	and up	110-15531	140-05592	110-15213	110-15214	140-03561	9269	150-05961	
P-992	1820	4964	9308	9311	9312	9313	-----	9269	-----	
	4965	7317	9308	9373	9365	9364	-----	9269	-----	
	7318	9945	9441	9443	9447	9446	-----	9269	-----	
	9946	11443	110-00811	9443	110-00771	110-01591	-----	9269	-----	
	11444	14948	110-07521	140-05491	110-00771	110-01591	-----	9269	-----	
	14949	16199	110-15421	140-05492	110-15211	110-15212	140-03432	9269	-----	
	16200	22924	110-15421	140-05492	110-15213	110-15214	140-03431	9269	9269	
	22925	and up	110-15421	140-05493	110-15213	110-15214	140-03441	9269	150-05961	
	P-992TRC	1820	3725	9328	9329	9312	9311	-----	9269	-----
		3726	4964	9309	9329	9312	9311	-----	9269	-----
4965		7317	9309	9372	9365	9364	-----	9269	-----	
7318		9945	9438	9444	9447	9446	-----	9269	-----	
9946		11443	110-00781	9444	110-00771	110-01591	-----	9269	-----	
11444		14948	110-07511	140-05471	110-00771	110-01591	-----	9269	-----	
14949		16199	110-15311	140-05472	110-15211	110-15212	140-03442	9269	-----	
16200		and up	110-15531	140-05472	110-15213	110-15214	140-03441	9269	150-05961	
P-980 / P-1020 & P-1040		84121089	85101450	9273	9272	9270	9271	-----	9269	-----
		2605	3725	9227	9282	9258	9257	-----	9269	-----
	3726	7317	9367	9374	9371	9370	-----	9269	-----	
	7318	9945	9440	9442	9447	9446	-----	9269	-----	
	9946	11443	110-00801	9442	110-00771	110-01591	-----	9269	-----	
	11444	14948	110-07671	140-05581	110-00771	110-01591	-----	9269	-----	
	14949	16199	110-15421	140-05582	110-15211	110-15212	140-03572	9269	-----	
	16200	22924	110-15421	140-05582	110-15213	110-15214	140-03571	9269	9269	
	22925	and up	110-15421	110-05592	110-15213	110-15214	140-03561	9269	150-05961	
	P-980TRC / P-1020TRC & P-1040TRC	84121089	85101450	9304	9272	9270	9271	-----	9269	-----
2605		3725	9228	9283	9258	9257	-----	9269	-----	
3726		7317	9310	9375	9371	9370	-----	9269	-----	
7318		9945	9439	9445	9447	9446	-----	9269	-----	
9946		11443	110-00791	9445	110-00771	110-01591	-----	9269	-----	
11444		14948	110-07661	140-05591	110-00771	110-01591	-----	9269	-----	
14949		16199	110-15531	140-05592	110-15211	110-15212	140-03562	9269	-----	
16200		21141	110-15531	140-05592	110-15213	110-15214	140-03561	9269	9269	
21142		and up	110-15531	140-05592	110-15213	110-15214	140-03562	9269	150-05961	

ATTENTION:

N.B. Left and right are determined by considering that the blower moves **forward** in the snow.





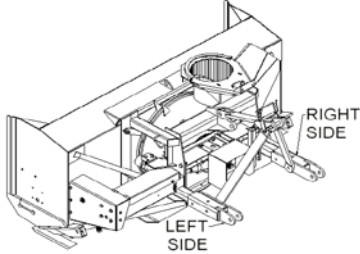
INDUSTRIAL SERIES

3-PTS HITCH COMPONENTS CHART

MODEL	SERIAL #		UPPER HITCH	SIDE BAR	LEFT LOWER HITCH	RIGHT LOWER HITCH	HITCH REINFORCEMENT	HITCH PIN	UPPER HITCH PIN
	FROM	TO							
PGS-740 & PGS-800	34927	and up	110-47931	140-26651	110-47641	110-47651	130-97051	8004	150-05961
PGS-1020TRC	30836	and up	110-15531	140-05592	110-15213	110-15214	140-03561	9269	150-05961
P-982TRC-150	14949	16199	110-15311	140-05472	110-15211	110-15212	140-03442	9269	-----
	16200	24724	110-15311	140-05472	110-15213	110-15214	140-03441	9269	150-05961
	24725	26605	110-15531	140-05592	110-15213	110-15214	140-03561	9269	150-05961
	26606	and up	110-30841	140-05592	110-15213	110-15214	140-03561	9269	150-05961
P-1022TRC-200	14526	16199	110-13121	140-09051	110-12791	110-12781	140-03561	150-02571	-----
	16200	26605	110-15311	140-09052	110-12783	110-12782	140-03561	9269	150-05961
	26606	and up	110-29331	110-17601	110-12783	110-12782	140-17611	9269	150-05961
PGV-1021TRC-150	28327	and up	110-38801	140-22721	110-39142	110-39141	130-69881	9269	150-05961
PGV-1022TRC-220	29377	and up	110-38801	140-22721	110-41912	110-41911	130-69881	9269	150-05961
				Category 3->	110-42862	110-42861			

ATTENTION:

N.B. Left and right are determined by considering that the blower moves **forward** in the snow.





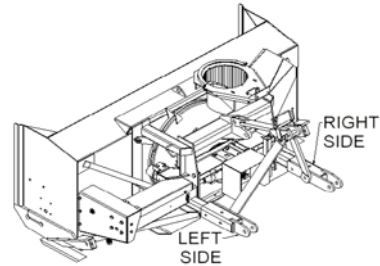
PXP & PXPL SERIES

3-PTS HITCH COMPONENTS CHART

MODEL	SERIAL #		UPPER HITCH	SIDE BAR	LEFT LOWER HITCH	RIGHT LOWER HITCH	HITCH REINFORCEMENT	HITCH PIN	UPPER HITCH PIN
	FROM	TO							
PXP-860 & PXP-860-92	19483	20721	110-15091	140-10751	110-15051	110-15052	140-10871	8004	-----
PXP-920 & PXP-920-98	19483	20721	110-15091	140-05492	110-15053	110-15054	140-03431	9269	-----
PXPL-86 & PXPL-86-92	21056	22924	110-23141	140-14241	110-23131	110-23132	140-10871	9269	150-05961
	22925	35292	110-23143	140-14243	110-23133	110-23134	140-10871	9269	150-05961
	35293	and up	110-23143	140-14243	110-23133	110-23134	140-10872	9269	150-05961
PXPL-92 & PXPL-92-98	21056	35292	110-25381	140-15451	110-15213	110-15214	140-15461	9269	150-05961
	35293	and up	110-25381	140-15452	110-15213	110-15214	140-15462	9269	150-05961

ATTENTION:

N.B. Left and right are determined by considering that the blower moves **forward** in the snow.





SCRAPER BLADE FOR SNOWBLOWERS

MODEL	SERIAL #		STANDARD	SEMI-IND. (not tapered)		INDUSTRIAL (tapered)		STAINLESS STEEL		TYVAR		LENGTH	QTY HOLES	
	FROM	TO	PART #	PART #	DIM.	PART #	DIM.	PART #	DIM.	PART #	DIM.			
PLOW BOLT 7/16" X 1 1/2" = 319-38310										CAP SCREW 1/2" X 1 1/2" = 315-40310 (S.S.)		PLOW BOLT 7/16" X 2" =319-38340		
P-480	8411290	3725	6283	3/8x2.5"	---	---	---	---	---	---	---	47"	5 std	
	3726	7317	6458	3/8x2.5"	---	---	---	---	---	---	---	47"	5 pb	
P-540(TRC)	8411290	3725	6284	3/8x2.5"	---	---	---	---	---	---	---	53"	6 std	
	3726	9945	6459	3/8x2.5"	---	---	---	---	---	---	---	53"	6 pb	
	9946	and up	140-01251	3/8x2.5"	140-12281	1/2x3"	---	---	140-15321	1/2x3"	190-05103	1x4 3/4"	50 1/4"	5 pb
P-620(TRC)	8411290	3725	6285	3/8x2.5"	---	---	---	---	---	---	---	61"	7 std	
	3726	9945	6460	3/8x2.5"	---	---	---	---	---	---	---	61"	6 pb	
	9946	and up	140-01261	3/8x2.5"	140-12271	1/2x3"	---	---	140-15331	1/2x3"	190-05113	1x4 3/4"	58 1/4"	6 pb
P-640	1820	3725	6462	3/8x2.5"	---	---	---	---	---	---	---	63"	7 std	
P-680(TRC)	3726	9945	6461	3/8x2.5"	---	---	---	---	---	---	---	67"	7 pb	
	9946	and up	140-01271	3/8x2.5"	140-05801	1/2x3"	---	---	140-15341	1/2x3"	190-05123	1x4 3/4"	64 1/4"	7 pb
P-720(TRC)	7318	9945	6508	3/8x2.5"	---	---	---	---	---	---	---	69 1/2"	7 pb	
	9946	and up	140-01281	3/8x2.5"	140-05791	1/2x3"	---	---	140-15351	1/2x3"	190-02683	1x4 3/4"	68 1/4"	7 pb
P-720(TRC)-74	16200	and up	140-11181	3/8x2.5"	140-11241	1/2x3"	---	---	140-15361	1/2x3"	190-05133	1x4 3/4"	70 1/4"	7 pb
P-720-80 & P-720-8028	19482	and up	140-14131	3/8x2.5"	140-14151	1/2x3"	---	---	140-15371	1/2x3"	190-06262	1x4 3/4"	76 1/4"	8 pb
	PLOW BOLT 7/16" X 1 1/2" = 319-38310										CAP SCREW 1/2" X 1 1/2" = 315-40310 (S.S.)		PLOW BOLT 7/16" X 2 1/2" =319-38370	
P-740(TRC)	8409811	3725	8031	3/8x5"	---	---	---	---	---	---	---	70 7/8"	8 std	
	3726	9945	8129-1/2	1/2x4"	8167	1/2x4"	---	---	---	---	---	70"	7 pb	
	9946	and up	140-00922	1/2x4"	140-04051	1/2x4"	140-04111	1/2x6"	140-15001	1/2x4"	190-03431	1x5 1/4"	67 3/4"	7 pb
P-800(TRC)	8409811	3725	8032	3/8x5"	---	---	---	---	---	---	---	76 7/8"	8 std	
	3726	9945	8130-1/2	1/2x4"	8168	1/2x4"	---	---	---	---	---	76"	8 pb	
	9946	and up	140-00932	1/2x4"	140-04061	1/2x4"	140-04121	1/2x6"	140-15011	1/2x4"	190-03501	1x5 1/4"	73 3/4"	8 pb
P-860(TRC)	8409811	3725	8033	3/8x5"	---	---	---	---	---	---	---	82 7/8"	9 std	
	3726	9945	8131-1/2	1/2x4"	8169	1/2x4"	---	---	---	---	190-01381	1x5 1/4"	82"	9 pb
	9946	and up	140-00912	1/2x4"	140-04071	1/2x4"	140-04131	1/2x6"	140-15021	1/2x4"	190-01311	1x5 1/4"	79 3/4"	8 pb
P-860(TRC)-92	14420	and up	140-09492	1/2x4"	140-13131	1/2x4"	140-13141	1/2x6"	140-15031	1/2x4"	190-05681	1x5 1/4"	85 3/4"	9 pb
P-862(TRC)	8409811	3725	9288-1	3/8x6"	---	---	---	---	---	---	---	82"	9 std	
	3726	9945	8131-1/2	1/2x4"	8169	1/2x4"	---	---	---	---	190-01381	1x5 1/4"	82"	9 pb
	9946	and up	140-00912	1/2x4"	140-04071	1/2x4"	140-04131	1/2x6"	140-15021	1/2x4"	190-01311	1x5 1/4"	79 3/4"	8 pb



SCRAPER BLADE FOR SNOWBLOWERS

MODEL	SERIAL #		STANDARD	SEMI-IND. (not tapered)		INDUSTRIAL (tapered)		STAINLESS STEEL		TYVAR		QTY		
	FROM	TO	PART #	PART #	DIM.	PART #	DIM.	PART #	DIM.	PART #	DIM.		LENGTH	HOLES
PLOW BOLT 7/16" X 1 1/2" = 319-38310								CAP SCREW 1/2" X 1 1/2" = 315-40310 (S.S.)		PLOW BOLT 7/16" X 2/12" =319-38370				
P-INV-74	33233	33234	140-25431	3/8x2.5"	---	---	---	---	---	---	---	74"	8 pb	
	33353	and up	140-25432	3/8x2.5"	130-85661	1/2x3"	---	---	130-85651	1/2x3"	190-13111	1x4 3/4"	72 1/2"	8 pb
P-INV-74	33353	and up	140-25432	3/8x2.5"	130-85661	1/2x3"	---	---	130-85651	1/2x3"	190-13121	1x4"	72 1/2"	8 pb
P-INV-80	33353	and up	140-26341	3/8x2.5"	130-89281	1/2x3"	---	---	130-89291	1/2x3"	190-13501	1x4 3/4"	78 1/2"	8 pb
P-INV-80	33353	and up	140-26341	3/8x2.5"	130-89281	1/2x3"	---	---	130-89291	1/2x3"	190-13471	1x4"	78 1/2"	8 pb
P-860-IV	8100	8107	8131-IV	3/8x2.5"	---	---	---	---	---	---	---	83 1/2"	9 pb	
	16200	and up	140-00812	1/2x4"	140-04081	1/2x4"	140-04141	1/2x6"	140-15041	1/2x4"	190-01331	1x5 1/4"	84 1/2"	9 pb
P-860-IVL	all		140-12021	3/8x4"	---	---	---	---	140-15291	1/2x4"	190-04721	1x4"	85"	9 pb
P-920-IV	8841	9373	140-00831V	3/8x2.5"	---	---	---	---	---	---	---	90 1/2"	9 pb	
	10510	and up	140-00832	1/2x4"	140-04091	1/2x4"	140-04151	1/2x6"	140-15051	1/2x4"	190-01321	1x5 1/4"	90 1/2"	9 pb
P-920-IVL	all		140-11171	3/8x4"	---	---	---	---	140-15281	1/2x4"	190-02172	1x4"	91"	11 std
P-1020-IV	all		140-27391	1/2x4"	140-27601	1/2x4"	140-27611	1/2x6"	---	---	190-14511	1x5 1/4"	99"	10 pb
P-1020-IVL	all		140-27381	3/8x4"	---	---	---	---	---	---	190-14151	1x4"	99 1/2"	12 std
PLOW BOLT 7/16" X 1 3/4" = 319-38325								CAP SCREW 1/2" X 2" = 315-40340 (S.S.)		PLOW BOLT 7/16" X 2/12" =319-38370				
P-892(TRC)	85021208	85121684	8937	3/8x5"	---	---	---	---	---	---	---	89"	9 std	
P-920(TRC)/	84121089	3725	9288	3/8x6"	---	---	---	---	---	---	---	88"	18 std	
P-992(TRC) &	3726	5655	9339-1/2	1/2x4"	9381-89	1/2x4"	---	---	---	---	---	89"	9 pb	
P-922(TRC)	5657	9945	9400-1/2	1/2x4"	9381	1/2x4"	---	---	---	---	190-01351	1x5 1/4"	86"	9 pb
	9946	and up	140-00812	1/2x4"	140-04081	1/2x4"	140-04141	1/2x6"	140-15041	1/2x4"	190-01331	1x5 1/4"	84 1/2"	9 pb
P-980(TRC) &	84121089	86011694	9289	3/8x6"	---	---	---	---	---	---	---	94"	20std	
P-920(TRC)-98	2556	3725	9349	3/8x6"	---	---	---	---	---	---	---	94"	10std	
&	3726	5655	140-15151	1/2x4"	140-21631	1/2x4"	---	---	---	---	---	95"	10 pb	
P-981(TRC) &	5657	9945	9401-1/2	1/2x4"	9382	1/2x4"	---	---	---	---	190-01361	1x5 1/4"	92"	10 pb
P-98134(TRC)	9946	and up	140-00832	1/2x4"	140-04091	1/2x4"	140-04151	1/2x6"	140-15051	1/2x4"	190-01321	1x5 1/4"	90 1/2"	9 pb
P-1020(TRC)	21142	35292	140-15151	1/2x4"	140-21631	1/2x4"	140-21641	1/2x6"	140-21681	1/2x4"	190-10261	1x5 1/4"	95"	10 pb
	35293	and up	140-15152	1/2x4"	140-21632	1/2x4"	140-21642	1/2x6"	140-21682	1/2x4"	190-10262	1x5 1/4"	93 3/4"	10 pb
P-1040(TRC)	84121089	86011694	9353	3/8x6"	---	---	---	---	---	---	---	100"	20std	
	2556	3725	9350	3/8x6"	---	---	---	---	---	---	---	100"	10std	
	3726	5655	9352-1/2	1/2x4"	9383-101	1/2x4"	---	---	---	---	---	101"	10 pb	
	5657	9945	9402-1/2	1/2x4"	9383	1/2x4"	---	---	---	---	190-01371	1x 5 1/4"	98"	10 pb
	9946	and up	140-00852	1/2x4"	140-04101	1/2x4"	140-04161	1/2x6"	140-15091	1/2x4"	190-01341	1x5 1/4"	97"	10 pb



SCRAPER BLADE FOR SNOWBLOWERS

MODEL	SERIAL #		STANDARD	SEMI-IND. (not tapered)		INDUSTRIAL (tapered)		STAINLESS STEEL		LENGTH	QTY HOLES
	FROM	TO	PART #	PART #	DIM.	PART #	DIM.	PART #	DIM.		

CARRIAGE BOLT 1/2" X 1 1/2" = 321-40310

PGS-740	34927	and up	140-26272	3/8x6"	---	---	---	---	---	72 1/4"	7 bc
PGS-800	34927	and up	140-26911	3/8x6"	---	---	---	---	---	78 1/4"	8 bc

PLOW BOLT 7/16" X 1 3/4" = 319-38325

CAP SCREW
1/2" X 2"
= 315-40340 (S.S.)

P-922(TRC)-98-93M	35189	and up	140-00832	1/2x4"	140-04091	1/2x4"	140-04151	1/2x6"	140-15051	1/2x4"	90 1/2"	9 pb
PGS-1020TRC	30836	35292	140-15151	1/2x4"	140-21631	1/2x4"	140-21641	1/2x6"	140-21681	1/2x4"	95"	10 pb
	35293	and up	140-15152	1/2x4"	140-21632	1/2x4"	140-21642	1/2x6"	140-21682	1/2x4"	93 3/4"	10 pb

PLOW BOLT 1/2" X 2" = 319-40340

P-982TRC-150	14948	and up	---	---	---	---	140-10512	1/2x6"	---	---	90 7/8"	9 pb
P-1022TRC-180M	16199	17681	---	---	---	---	140-09461	5/8x6"	---	---	94 7/8"	10 pb
P-1022TRC-200	14526	and up	---	---	---	---	140-09461	5/8x6"	---	---	94 7/8"	10 pb
PGV-1021TRC-150	28327	and up	---	---	---	---	140-20921	1/2x6"	---	---	95 7/8"	10 pb
PGV-1022TRC-200 & PGV-1022TRC-220	29377	35292	---	---	---	---	130-74271	5/8x6"	---	---	95 7/8"	10 pb
	35293	and up	---	---	---	---	140-09461	5/8x6"	---	---	94 7/8"	10 pb



SCRAPER BLADE FOR SNOWBLLOWERS

X-PRO SNOWBLOWER : refer to PRONOVOST snowblower chart.

MODEL	SERIAL #		STANDARD		SEMI-IND. (not tapered)		INDUSTRIAL (tapered)		STAINLESS STEEL		TYVAR		QTY HOLES
	FROM	TO	PART #	DIMENSIONS	PART #	DIMENSIONS	PART #	DIMENSIONS	PART #	DIMENSIONS	PART #	DIMENSIONS	
PLOW BOLT 7/16" X 1 1/2" = 319-38310									CAP SCREW 1/2" X 1 1/2" = 333-40310 (S.S.)		PLOW BOLT 7/16" X 2 1/2" = 319-38370		
PXP-860	19483	20721	140-00912	1/2x4x79 3/4"	140-04071	1/2x4x79 3/4"	140-04131	1/2x6x79 3/4"	140-15021	1/2x4x79 3/4"	190-01311	1/2x5 1/4x79 3/4"	8 pb
PXPL-86	21056	and up	140-00912	1/2x4x79 3/4"	140-04071	1/2x4x79 3/4"	140-04131	1/2x6x79 3/4"	140-15021	1/2x4x79 3/4"	190-01311	1/2x5 1/4x79 3/4"	8 pb
PXP-860-92	19483	20721	140-09492	1/2x4x85 3/4"	140-13131	1/2x4x85 3/4"	140-13141	1/2x6x85 3/4"	140-15031	1/2x4x85 3/4"	190-05681	1/2x5 1/4x85 3/4"	9 pb
PXPL-86-92	21056	and up	140-09492	1/2x4x85 3/4"	140-13131	1/2x4x85 3/4"	140-13141	1/2x6x85 3/4"	140-15031	1/2x4x85 3/4"	190-05681	1/2x5 1/4x85 3/4"	9 pb
PLOW BOLT 7/16" X 1 3/4" = 319-38325									CAP SCREW 1/2" X 2" = 333-40340 (S.S.)				
PXP-920	19483	20721	140-00812	1/2x4x84 1/2"	140-04081	1/2x4x84 1/2"	140-04141	1/2x6x84 1/2"	140-15041	1/2x4x84 1/2"	190-01331	1/2x5 1/4x84 1/2"	9 pb
PXPL-92	21056	and up	140-00812	1/2x4x84 1/2"	140-04081	1/2x4x84 1/2"	140-04141	1/2x6x84 1/2"	140-15041	1/2x4x84 1/2"	190-01331	1/2x5 1/4x84 1/2"	9 pb
PXP-920-98	19483	20721	140-00832	1/2x4x90 1/2"	140-04091	1/2x4x90 1/2"	140-04151	1/2x6x90 1/2"	140-15051	1/2x4x90 1/2"	190-01321	1/2x5 1/4x90 1/2"	9 pb
PXPL-92-98	21056	and up	140-00832	1/2x4x90 1/2"	140-04091	1/2x4x90 1/2"	140-04151	1/2x6x90 1/2"	140-15051	1/2x4x90 1/2"	190-01321	1/2x5 1/4x90 1/2"	9 pb

CUTTING EDGE FOR REAR SCRAPER

MODEL	SERIAL #		STANDARD		SEMI-IND. (not tapered)		INDUSTRIAL (tapered)		STAINLESS STEEL		TYVAR		QTY HOLES
	FROM	TO	PART #	DIMENSIONS	PART #	DIMENSIONS	PART #	DIMENSIONS	PART #	DIMENSIONS	PART #	DIMENSIONS	
STD. BOLT 7/16" X 1 1/2" = 300-38310									STD. BOLT 7/16" X 2 1/4" = 300-38355				
XP-740(TRC)	1000	1199	140-07201	3/8x4x69 3/4"	130-10691	1/2x4x69 3/4"	---	---	---	---	190-02431	1x3 1/2x75"	7
	2000	2210	140-07201	3/8x4x69 3/4"	130-10691	1/2x4x69 3/4"	---	---	---	---	190-02432	1x3 1/4x75"	7
XP-800(TRC)	1000	1199	140-07191	3/8x4x75 3/4"	130-10681	1/2x4x75 3/4"	---	---	---	---	190-02421	1x3 1/2x81"	8
	2000	2210	140-07191	3/8x4x75 3/4"	130-10681	1/2x4x75 3/4"	---	---	---	---	190-02422	1x3 1/4x81"	8
XP-860(TRC) & XP-862(TRC)	1000	1199	140-07181	3/8x4x81 3/4"	130-10671	1/2x4x81 3/4"	---	---	---	---	190-02411	1x3 1/2x87"	9
	2000	2210	140-07181	3/8x4x81 3/4"	130-10671	1/2x4x81 3/4"	---	---	---	---	190-02412	1x3 1/4x87"	9
XP-920(TRC) & XP-992(TRC)	1000	1199	140-07171	3/8x4x87 3/4"	130-10661	1/2x4x87 3/4"	---	---	---	---	190-02401	1x3 1/2x93"	9
	2000	2210	140-07171	3/8x4x87 3/4"	130-10661	1/2x4x87 3/4"	---	---	---	---	190-02402	1x3 1/4x93"	9
XP-920-98(TRC) & XP-980(TRC)	1000	1199	140-06341	3/8x4x93 3/4"	130-10171	1/2x4x93 3/4"	---	---	---	---	190-02311	1x3 1/2x99"	10
	2000	2210	140-06341	3/8x4x93 3/4"	130-10171	1/2x4x93 3/4"	---	---	---	---	190-02312	1x3 1/4x99"	10
XP-1040(TRC)	1000	1199	140-06831	3/8x4x99 3/4"	130-10321	1/2x4x99 3/4"	---	---	---	---	190-02341	1x3 1/2x105"	10
	2000	2210	140-06831	3/8x4x99 3/4"	130-10321	1/2x4x99 3/4"	---	---	---	---	190-02342	1x3 1/4x105"	10

MODEL	SERIAL #		STANDARD		SEMI-IND. (not tapered)		INDUSTRIAL (tapered)		STAINLESS STEEL		TYVAR		QTY HOLES
	FROM	TO	PART #	DIMENSIONS	PART #	DIMENSIONS	PART #	DIMENSIONS	PART #	DIMENSIONS	PART #	DIMENSIONS	
STD. BOLT 7/16" X 1 1/2" = 300-38310									STD. BOLT 7/16" X 2 1/4" = 300-38355				
PXP-860	19483	20721	140-07181	3/8x4x81 3/4"	130-10671	1/2x4x81 3/4"	---	---	---	---	190-02412	1x3 1/4x87"	9
PXPL-86	21056	and up	140-15811	1/2x4x80 1/2"	130-40991	1/2x4x80 1/2"	---	---	130-42811	1/2x4x80 1/2"	190-07171	1x3 1/4x87"	8
PXP-860-92	19483	20721	140-07171	3/8x4x87 3/4"	130-10661	1/2x4x87 3/4"	---	---	---	---	190-02402	1x3 1/4x93"	9
PXPL-86-92	21056	and up	140-14391	1/2x4x86 1/2"	130-41001	1/2x4x86 1/2"	---	---	130-42821	1/2x4x86 1/2"	190-02402	1x3 1/4x93"	9
PXP-920	19483	20721	140-07171	3/8x4x87 3/4"	130-10661	1/2x4x87 3/4"	---	---	---	---	190-02402	1x3 1/4x93"	9
PXPL-92	21056	and up	140-14391	1/2x4x86 1/2"	130-41001	1/2x4x86 1/2"	---	---	130-42821	1/2x4x86 1/2"	190-02402	1x3 1/4x93"	9
PXP-920-98	19483	20721	140-06341	3/8x4x93 3/4"	130-10171	1/2x4x93 3/4"	---	---	---	---	190-02312	1x3 1/4x99"	10
PXPL-92-98	21056	and up	140-15471	1/2x4x92 1/2"	130-41011	1/2x4x92 1/2"	---	---	130-42831	1/2x4x92 1/2"	190-02312	1x3 1/4x99"	10



PRONOVOST SERIES

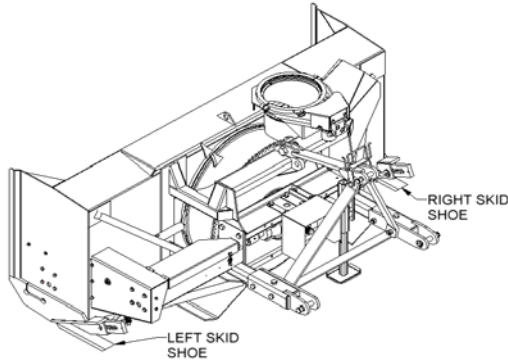
SKID SHOES

MODEL	SERIAL NUMBER		STANDARD		HEAVY DUTY		STAINLESS STEEL		SPECIFICATIONS
	FROM	TO	PART NUMBER		PART NUMBER		PART NUMBER		
			Left	Right	Left	Right	Left	Right	
P-480/P-540(TRC)/	8411290	3725	6286-G	6286-D	-----	-----	-----	-----	3/8"X2"X16 1/4"
P-620(TRC)/P-640	3726	4964	6444	6444	-----	-----	-----	-----	3/8"X2"X17 1/2"
P-680(TRC)/	4965	5655	6472	6472	-----	-----	-----	-----	5/16"X7"X9 1/2"
P-720(TRC)/	5657	10793	6479-G	6479-D	-----	-----	-----	-----	top locked
P-720(TRC)-74/ P-720-80 & P-720-8028	10794	and up	110-04361	110-05541	110-07701	110-07711	110-25341	110-25342	center locked
P-740(TRC)/	8409811	3725	8034-G	8034-D	-----	-----	-----	-----	3/8"X2"X21 1/2"
P-800(TRC)/	3726	4964	8132	8132	-----	-----	-----	-----	3/8"X2"X23 3/4"
P-860(TRC)/	4965	5655	8151	8151	-----	-----	-----	-----	3/8"X8"X10 1/2"
P-860(TRC)-92 &	5657	10793	110-01141	110-01841	110-01771	110-01781	-----	-----	top locked
P-892(TRC)	10794	and up	110-03151	110-05491	110-04681	110-05501	110-24812	110-24811	center locked
P-862(TRC)	2605	3725	9316-G	9316-D	-----	-----	-----	-----	3/8"X2 1/2"X 25"
	3726	4964	8132	8132	-----	-----	-----	-----	3/8"X2"X23 3/4"
	4965	5655	8151	8151	-----	-----	-----	-----	3/8"X8"X10 1/2"
	5657	10793	110-01141	110-01841	110-01771	110-01781	-----	-----	top locked
	10794	and up	110-03151	110-05491	110-04681	110-05501	110-24812	110-24811	center locked
P-992(TRC)	1820	3725	9316-G	9316-D	-----	-----	-----	-----	3/8"X2 1/2"X 25"
	3726	4964	9338	9338	-----	-----	-----	-----	3/8"X2"X24 3/4"
	4965	5655	9360	9360	-----	-----	-----	-----	3/8"X9"X11 1/2"
	5657	10793	110-01551	110-00931	110-01561	110-01571	-----	-----	top locked
	10794	and up	110-04521	110-04531	110-04811	110-05511	110-24832	110-24831	center locked
P-920 (TRC)/	84121089	86011694	9291-G	9291-D	-----	-----	-----	-----	3/8"X2 1/2"X 24"
P-920(TRC)-98/	1820	3725	9348-G	9348-D	-----	-----	-----	-----	3/8"X2 1/2"X 27"
P-922(TRC)/	3726	4964	9346	9346	-----	-----	-----	-----	3/8"X2"X26 3/4"
P-980(TRC)/	4965	5655	9360	9360	-----	-----	-----	-----	3/8"X9"X11 1/2"
P-981(34)(TRC)/	5657	10793	110-01551	110-00931	110-01561	110-01571	-----	-----	top locked
P-1020(TRC) & P-1040(TRC)	10794	and up	110-04521	110-04531	110-04811	110-05511	110-24832	110-24831	center locked

The most resistant	Skid shoe with Rocktec sole		PART #	
			Left	Right
	Gr. 2	Serial number 10794 and up	110-45761	110-45762
	Gr. 3 + Ind.	Serial number 10794 and up	110-45771	110-45772

ATTENTION:

N.B. Left and right are determined by considering that the blower moves **forward** in the snow.



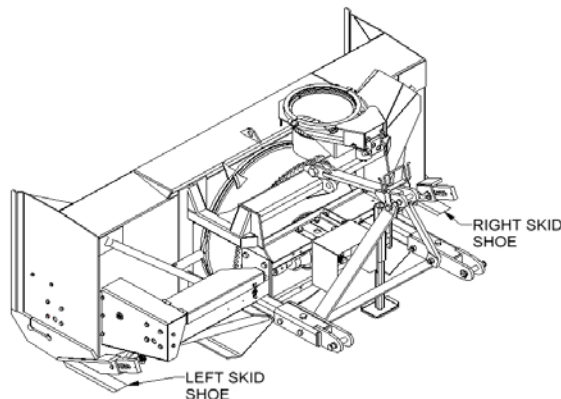
old number	replacement
8163-G	110-01141
8163-D	110-01841
8170-G	110-01771
8170-D	110-01781
9363-G	110-01551
9363-D	110-00931
9384-G	110-01561
9384-D	110-01571

SKID SHOES

MODEL	SERIAL #		SIDE	STANDARD STEEL	HEAVY DUTY	ROCKTEC	STAINLESS STEEL	SPECIFICATIONS
	FROM	TO						
PGS-740 & PGS-800	34927	and up	Right	----	110-47951	----	----	center lock
			Left	----	110-47951	----	----	
PGS-1020TRC	30836	and up	Right	110-42711	110-44212	110-45782	110-44262	center lock
			Left	110-42701	110-44211	110-45781	110-44261	
P-922(TRC)-98-93M ON SNOWBLOWER	35181	and up	Right	----	----	110-45772	----	center lock
			Left	----	----	110-45771	----	
P-982TRC-150	14526	and up	Right	----	110-05511	110-45772	110-24831	center lock
			Left	----	110-04811	110-45771	110-24832	
			Lateral	----	----	130-87441	----	sole only
P-1022TRC-180M	16199	and up	Right	----	110-05511	110-45772	110-24831	center lock
			Left	----	110-04811	110-45771		
P-1022TRC-200	14526	and up	Right	----	110-05511	110-45772	110-24831	center lock
			Left	----	110-04811	110-45771	110-24832	
			Lateral	----	----	130-87441	----	sole only
P-922(TRC)-98-93M MOTOR SIDE	35181	and up	Right	----	----	190-10671	130-83021	sole only
			Left	----	----	190-10671	130-83021	
PGV-1021TRC-150	28327	and up	Right	----	----	2 x 190-10671	2 x 130-83021	sole only
			Left	----	----	2 x 190-10671	2 x 130-83021	
			Lateral	----	----	1 x 190-10671	1 x 130-83021	
PGV-1022TRC-200 & PGV-1022TRC-220	29377	and up	Right	----	----	2 x 190-10671	2 x 130-83021	sole only
			Left	----	----	2 x 190-10671	2 x 130-83021	
			Lateral	----	----	2 x 190-10671	2 x 130-83021	

ATTENTION:

N.B. Left and right are determined by considering that the blower moves **forward** in the snow.





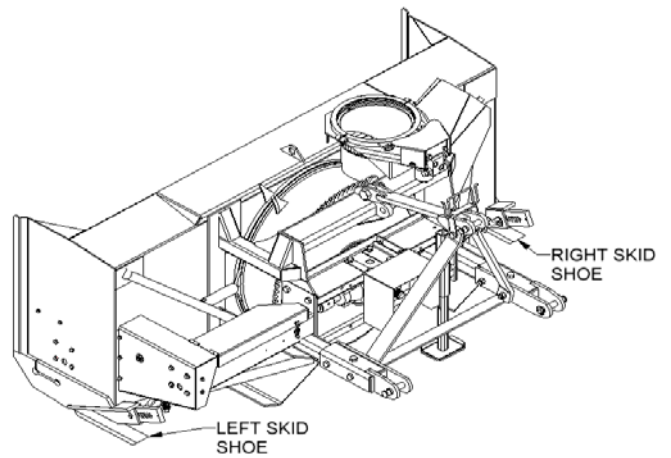
PUMA - LYNX SERIES

SKID SHOES

MODEL	SERIAL #		PART #	
	FROM	TO	LEFT	RIGHT
LYNX-52/62/70	Option on all		110-40791	110-40801
PUMA-48/54/64/72	14949	and up	110-15342	110-15341
PUMA-74/84/94	14949	and up	110-15392	110-15391
PUMA-96	36767	and up	110-52562	110-52561

ATTENTION:

N.B. Left and right are determined by considering that the blower moves forward in the snow.



SKID SHOES ON SNOWBLOWERS

MODEL	SERIAL #		STANDARD		HEAVY DUTY		STAINLESS STEEL		SPECIFICATIONS
	FROM	TO	PART #		PART #		PART #		
			LEFT	RIGHT	LEFT	RIGHT	LEFT	RIGHT	
PXP-860 & PXP-860-92	19483	20721	110-03151	110-05491	110-04681	110-05501	110-24812	110-24811	center locked
PXP-920 & PXP-920-98	19483	20721	110-04521	110-04531	110-04811	110-05511	110-24832	110-24831	center locked
PXPL-86 & PXP-86-92	21056	and up	110-03151	110-05491	110-04681	110-05501	110-24812	110-24811	center locked
PXPL-92 & PXPL-92-98	21056	and up	110-04521	110-04531	110-04811	110-05511	110-24832	110-24831	center locked

NOTE:

N.B. Left and right are determined by considering that the blower moves **forward** in the snow.

SKID SHOES ON REAR SCRAPER

MODEL	SERIAL #		STANDARD		HEAVY DUTY		TIVAR		SPECIFICATIONS
	FROM	TO	PART #		PART #		PART #		
			LEFT	RIGHT	LEFT	RIGHT	LEFT	RIGHT	
ALL "XP" MODELS	1000	1199	110-09171	110-09172	110-09181	110-09182	190-02302	190-02303	1 only tivar skid shoe
	2000	2210	110-09173	110-09174	110-09183	110-09184	190-03351	190-03352	long
							190-03361	190-03362	short
ALL "PXP" MODELS	19483	20721	110-22281	110-22282	110-23531	110-23532	190-03351	190-03352	long
							190-03361	190-03362	short
ALL "PXPL" MODELS	21056	and up	110-22283	110-22284	110-23533	110-23534	190-03351	190-03352	long
			STAINLESS STEEL---->		110-26871	110-26872	190-03363	190-03364	short



PRONOVOST SERIES DRIVELINE (PTO) CHART

MODEL	SERIAL NO		RPM	STANDARD		OPTION		END YOKE SPECIFICATIONS	
	FROM	TO		PART NO	SIZE	PART NO	SIZE	TRACTOR END	SNOWBLOWER END
P-480 & P-540(TRC)	8411290	8510336	540	6245	T20	-----	-----	SBP 1 3/8"-6 SPL.	1" ROUND
	8510337	2454	540	6246	T20	-----	-----	SBP 1 3/8"-6 SPL.	1 1/4" ROUND
	2455	4964	540	6408	T20	-----	-----	SBP 1 3/8"-6 SPL.	QD 1 3/8"-6 SPL.
	4965	and up	540	6408-E	T20	-----	-----	QD 1 3/8"-6 SPL.	SBP 1 3/8"-6 SPL.
P-620(TRC)	8411290	8510336	540	6245	T20	-----	-----	SBP 1 3/8"-6 SPL.	1" ROUND
	8510337	8602450	540	6247	T40	-----	-----	SBP 1 3/8"-6 SPL.	1 1/2" ROUND
	3726	4964	540	6408	T20	-----	-----	SBP 1 3/8"-6 SPL.	QD 1 3/8"-6 SPL.
	4965	and up	540	6408-E	T20	-----	-----	QD 1 3/8"-6 SPL.	SBP 1 3/8"-6 SPL.
P-640	2058	2454	540	6247	T40	-----	-----	SBP 1 3/8"-6 SPL.	1 1/2" ROUND
	2455	3725	540	6248	T40	-----	-----	SBP 1 3/8"-6 SPL.	QD 1 3/8"-6 SPL.
P-680(TRC)	3726	7317	540	6248	T40	-----	-----	SBP 1 3/8"-6 SPL.	QD 1 3/8"-6 SPL.
	7318	11443	540	6248-E	T40	-----	-----	QD 1 3/8"-6 SPL.	SBP 1 3/8"-6 SPL.
	11444	and up	540	6248-EG	T40	-----	-----	QD 1 3/8"-6 SPL.	SBI 1 3/8"-6 SPL.
P-720(TRC) & P-720(TRC)-74/80/8028	7318	and up	540	8114-EG	T50	-----	-----	QD 1 3/8"-6 SPL.	SBI 1 3/8"-6 SPL.
P-740(TRC) & P-800(TRC)	8409811	2554	540	8000	T50	-----	-----	SBP 1 3/8"-6 SPL.	1 1/2" ROUND
	2556-R	3725-R	540	8000	T50	-----	-----	SBP 1 3/8"-6 SPL.	1 1/2" ROUND
	2556-B	3725-B	540	8000	T50	-----	-----	SBP 1 3/8"-6 SPL.	1 1/2" ROUND
	2605	5655	540	8114	T50	-----	-----	SBP 1 3/8"-6 SPL.	QD 1 3/8"-6 SPL.
	5657	7317	540	8114-E	T50	-----	-----	QD 1 3/8"-6 SPL.	SBP 1 3/8"-6 SPL.
	7318	and up	540	8114-EG	T50	8202	T60	QD 1 3/8"-6 SPL.	SBI 1 3/8"-6 SPL.
P-860(TRC)/ P-860(TRC)-92 & P-862(TRC)	8409811	2554	540	8000	T50	-----	-----	SBP 1 3/8"-6 SPL.	1 1/2" ROUND
	2556-R	3725-R	540	8000	T50	-----	-----	SBP 1 3/8"-6 SPL.	1 1/2" ROUND
	2556-B	3725-B	540	8000	T50	-----	-----	SBP 1 3/8"-6 SPL.	1 1/2" ROUND
	2605	5655	540	8114	T50	-----	-----	SBP 1 3/8"-6 SPL.	QD 1 3/8"-6 SPL.
	5657	7317	540	8114-E	T50	-----	-----	QD 1 3/8"-6 SPL.	SBP 1 3/8"-6 SPL.
	7318	and up	540	8202	T60	9225-1	T80	QD 1 3/8"-6 SPL.	SBI 1 3/8"-6 SPL.
		1000	8202-1	T60	-----	-----	QD 1 3/8"-21 SPL.	SBI 1 3/8"-6 SPL.	
P-892(TRC)	85121640	85121684	540	9226	T80	-----	-----	SBP 1 3/8"-6 SPL.	1 3/4" ROUND
P-INV-74 & P-INV-80	33233	and up	540	8114-EG	T50	-----	-----	QD 1 3/8"-6 SPL.	SBI 1 3/8"-6 SPL.
P-860-IV / P-920-IV & P-1020-INV	10510	and up	540	190-00471	T60	-----	-----	SBP 1 3/8"-6 SPL.	QD 1 3/8"-6 SPL.
P-920(TRC) & P-920(TRC)-98	84121089	85101450	540	9200	T80	-----	-----	SBP 1 3/8"-6 SPL.	2" ROUND
	85121575	86011694	540	9226	T80	-----	-----	SBP 1 3/8"-6 SPL.	1 3/4" ROUND
	9946	and up	540	9225-EG	T80	9475	T90	QD 1 3/8"-6 SPL.	SBI 1 3/4"-20 SPL.
			1000	9569	T80	-----	-----	QD 1 3/8"-21 SPL.	SBI 1 3/4"-20 SPL.
P-992(TRC)/ P-981(34)(TRC) & P-922(TRC)	1820	5655	540	9225	T80	-----	-----	SBP 1 3/8"-6 SPL.	QD 1 3/4"-20 SPL.
	5657	7317	540	9225-E	T80	-----	-----	SBP 1 3/8"-6 SPL.	QD 1 3/4"-20 SPL.
			540	9225-EG	T80	9475	T90	QD 1 3/8"-6 SPL.	SBI 1 3/4"-20 SPL.
	7318	and up	1000	9569	T80	9475-1	T90	QD 1 3/8"-21 SPL.	SBI 1 3/4"-20 SPL.
			1000	9569-1	T80	9475-2	T90	QD 1 3/4"-20 SPL.	SBI 1 3/4"-20 SPL.
P-980(TRC)/ P-1020(TRC) & P-1040(TRC)	84121089	85101450	540	9200	T80	-----	-----	SBP 1 3/8"-6 SPL.	2" ROUND
	85121575	86011694	540	9226	T80	-----	-----	SBP 1 3/8"-6 SPL.	1 3/4" ROUND
	1820	5655	540	9225	T80	-----	-----	SBP 1 3/8"-6 SPL.	QD 1 3/4"-20 SPL.
	5657	7317	540	9225-E	T80	-----	-----	SBP 1 3/8"-6 SPL.	QD 1 3/4"-20 SPL.
			540	9225-EG	T80	9475	T90	QD 1 3/8"-6 SPL.	SBI 1 3/4"-20 SPL.
	7318	and up	1000	9569	T80	9475-1	T90	QD 1 3/8"-21 SPL.	SBI 1 3/4"-20 SPL.
1000			9569-1	T80	9475-2	T90	QD 1 3/4"-20 SPL.	SBI 1 3/4"-20 SPL.	



INDUSTRIAL SERIES DRIVELINE (PTO) CHART

MODEL	SERIAL NO		RPM	STANDARD		OPTION		END YOKE SPECIFICATIONS	
	FROM	TO		PART NO	SIZE	PART NO	SIZE	TRACTOR END	SNOWBLOWER END
PGS-740 & PGS-800	34927	and up	540	8202	T60	-----	-----	QD 1 3/8"-6 SPL.	SBI 1 3/8"-6 SPL.
PGS-1020TRC	30836	and up	540	9475	T90	9598	V90	QD 1 3/8"-6 SPL.	SBI 1 3/4"-20 SPL.
			1000	9475-1	T90	9599	V90	QD 1 3/8"-21 SPL.	SBI 1 3/4"-20 SPL.
			1000	9475-2	T90	9604	V90	QD 1 3/4"-20 SPL.	SBI 1 3/4"-20 SPL.
P-982TRC-150 & P-1022TRC-200	14526	and up	540	9598	V90	-----	-----	QD 1 3/8"-6 SPL.	SBI 1 3/4"-20 SPL.
			1000	9599	V90	-----	-----	QD 1 3/8"-21 SPL.	SBI 1 3/4"-20 SPL.
			1000	9604	V90	-----	-----	QD 1 3/4"-20 SPL.	SBI 1 3/4"-20 SPL.
PGV-1021TRC-150	28327	and up	1000	9599	V90	-----		QD 1 3/8"-21 SPL.	SBI 1 3/4"-20 SPL.
			1000	9604	V90	-----	-----	QD 1 3/4"-20 SPL.	SBI 1 3/4"-20 SPL.
PGV-1022TRC-220	29377	and up	1000	9599	V90	-----		QD 1 3/8"-21 SPL.	SBI 1 3/4"-20 SPL.
			1000	9604	V90	-----	-----	QD 1 3/4"-20 SPL.	SBI 1 3/4"-20 SPL.



PUMA - LYNX SERIES

DRIVELINE (PTO) CHART

MODEL	SERIAL NO		RPM	STANDARD		END YOKE SPECIFICATIONS	
	FROM	TO		PART NO	SIZE	TRACTOR END	SNOWBLOWER END
LYNX-52/62/70	all		540	6545	T20	SBP 1 3/8"-6 SPL.	1" ROUND
PUMA-48/54	1001	and up	540	6545	T20	SBP 1 3/8"-6 SPL.	1" ROUND
PUMA-64	1001	33352	540	6545	T20	SBP 1 3/8"-6 SPL.	1" ROUND
	33352	and up	540	6408-E	T20	QD 1 3/8"-6 SPL.	SBI 1 3/8"-6 SPL.
PUMA-72	1001	30835	540	6545	T20	SBP 1 3/8"-6 SPL.	1" ROUND
	30836	and up	540	6248-EG	T40	QD 1 3/8"-6 SPL.	SBI 1 3/8"-6 SPL.
PUMA-74	1001	22924	540	8114-EG	T50	QD 1 3/8"-6 SPL.	SBI 1 3/8"-6 SPL.
	22925	and up	540	6248-EG	T40	QD 1 3/8"-6 SPL.	SBI 1 3/8"-6 SPL.
PUMA-84	1001	and up	540	8114-EG	T50	QD 1 3/8"-6 SPL.	SBI 1 3/8"-6 SPL.
PUMA-94	1001	and up	540	8202	T60	QD 1 3/8"-6 SPL.	SBI 1 3/8"-6 SPL.
PUMA-96	36767	and up	540	9225-EG	T80	QD 1 3/8"-6 SPL.	SBI 1 3/4"-20 SPL.



DRIVELINE (PTO) CHART

MODEL	SERIAL NO		RPM	STANDARD		OPTION		END YOKE SPECIFICATIONS	
	FROM	TO		PART NO	SIZE	PART NO	SIZE	TRACTOR END	SNOWBLOWER END
PXP-860 & PXP-860-92	19483	20721	540	8202	T60	9225-1	T80	QD 1 3/8"-6 SPL.	SBI 1 3/8"-6 SPL.
			1000	8202-1	T60	-----	-----	QD 1 3/8"-21 SPL.	SBI 1 3/8"-6 SPL.
PXP-920 & PXP-920-98	19483	20721	540	9225-EG	T80	9475	T90	QD 1 3/8"-6 SPL.	SBI 1 3/4"-20 SPL.
			1000	9569	T80	-----	-----	QD 1 3/8"-21 SPL.	SBI 1 3/4"-20 SPL.
PXPL-86 & PXPL-86-92	21056	and up	540	8202	T60	9225-1		QD 1 3/8"-6 SPL.	SBI 1 3/8"-6 SPL.
			1000	8202-1	T60	-----	-----	QD 1 3/8"-21 SPL.	SBI 1 3/8"-6 SPL.
PXPL-92 & PXPL-92-98	21056	and up	540	9225-EG	T80	9475	T90	QD 1 3/8"-6 SPL.	SBI 1 3/4"-20 SPL.
			1000	9569	T80	-----	-----	QD 1 3/8"-21 SPL.	SBI 1 3/4"-20 SPL.



PRONOVOST SERIES

SNOWBLOWER FAN CHART

MODEL #	SERIAL #		PART #	DIMENSIONS	QTY BLADES	OLD #
	FROM	TO				
P-480 & P-540(TRC)	8510337	7317	6308	19 1/4"x7"x1 1/4"	4	-----
	7318	and up	110-02242	21 1/2"x8"x1 1/4"	4	6523
P-620(TRC)	8510337	8602450	6309	21 1/2"x7 3/4"x1 1/2"	4	-----
	3726	7317	6308	19 1/4"x7"x1 1/4"	4	-----
	7318	and up	110-02242	21 1/2"x8"x1 1/4"	4	6523
P-640	2058	3725	6309	21 1/2"x7 3/4"x1 1/2"	4	-----
P-680 & P-720	3726	7317	6309	21 1/2"x7 3/4"x1 1/2"	4	-----
	7318	8728	6524	23 1/2"x8"x1 1/2"	4	-----
	9000	9104	6524	23 1/2"x8"x1 1/2"	4	-----
	8729	8999	110-02261	23 1/2"x8"x40mm	4	6533
	9105	16199	110-02261	23 1/2"x8"x40mm	4	6533
	16200	and up	110-18991	23 1/2" x 9 1/4"x40mm	4	-----
P-720-74 & P-720-80	16200	22924	110-18991	23 1/2" x 9 1/4"x40mm	4	-----
	22925	and up	110-28831	25 1/2" x 9 1/4"x40mm	4	-----
P-720-8028	33352	and up	110-44571	27 1/2"x9 1/4"x40mm	4	-----
P-680TRC/ P-720TRC & P-720TRC-74	7318	8728	6524	23 1/2"x8"x1 1/2"	4	-----
	9000	9104	6524	23 1/2"x8"x1 1/2"	4	-----
	8729	8999	110-02261	23 1/2"x8"x40mm	4	6533
	9105	17820	110-02261	23 1/2"x8"x40mm	4	6533
	17821	and up	110-18991	23 1/2" x 9 1/4"x40mm	4	-----
P-740(TRC) & P-800(TRC)	8409811	7317	8026	25 1/2"x9 1/4"x1 1/2"	4	-----
	7318	8728	8193	25 1/2"x10 1/2"x1 1/2"	4	-----
	9000	9104	8193	25 1/2"x10 1/2"x1 1/2"	4	-----
	8729	8999	110-01872	25 1/2"x10 1/2"x40mm	4	8253 & 110-01871
	9105	and up	110-01872	25 1/2"x10 1/2"x40mm	4	8253 & 110-01871
P-860(TRC) & P-860(TRC)-92	8409811	7317	8026	25 1/2"x9 1/4"x1 1/2"	4	-----
	7318	8728	8194	27 1/2"x10 1/2"x1 1/2"	4	-----
	9000	9104	8194	27 1/2"x10 1/2"x1 1/2"	4	-----
	8729	8999	110-01882	27 1/2"x10 1/2"x40mm	4	8254 & 110-01881
	9105	and up	110-01882	27 1/2"x10 1/2"x40mm	4	8254 & 110-01881
P-862(TRC)	2605	7317	8026	25 1/2"x9 1/4"x1 1/2"	4	-----
	7318	8728	8194	27 1/2"x10 1/2"x1 1/2"	4	-----
	9000	9104	8194	27 1/2"x10 1/2"x1 1/2"	4	-----
	8729	8999	110-01882	27 1/2"x10 1/2"x40mm	4	8254 & 110-01881
	9105	9945	110-01882	27 1/2"x10 1/2"x40mm	4	8254 & 110-01881
	9946	10793	110-01891	27 1/2"x10 1/2"x1 5/8"	4	-----
	10794	and up	110-01882	27 1/2"x10 1/2"x40mm	4	8254 & 110-01881



PRONOVOST SERIES

SNOWBLOWER FAN CHART

MODEL #	SERIAL #		PART #	DIMENSIONS	QTY BLADES	OLD #
	FROM	TO				
P-INV-74 & P-INV-80	33233 33353	33234 and up	110-44241 110-44242	25 1/2"x9 1/4"x40mm 25 1/2"x7 5/8"x40mm	4 4	----- -----
P-860-IV/ P-920-IV & P-1020-IV	8100 10510 Exception 26606	8107 26605 25973 and up	8026-IV 110-05372 110-34401 110-34401	25 1/2"x9 1/4"x1 1/2" 25 1/2"x10"x40mm 27 1/2"x10"x40mm 27 1/2"x10"x40mm	4 4 4 4	----- 110-05371 ----- -----
P-892(TRC)	85121640	85121684	8926	25 1/2"x9 1/2"x2"	4	-----
P-920(TRC) & P-920(TRC)-98	84121089 9946	85101450 and up	9284 110-04743	29 1/2"x10"x2" 29 1/2"x10"x2"	4 5	----- 110-04741
P-992(TRC) &	1820 3726 7318	3725 7317 and up	8926 9301 110-01613	25 1/2"x9 1/2"x2" 27 1/2"x10 1/4"x2" 29 1/2"x12 1/4"x2"	4 5 5	----- ----- 9423 & 110-01611
P-981(34)(TRC) & P-922(TRC)	22925 24725	24724 and up	110-01613 110-32482	29 1/2"x12 1/4"x2" 33 1/2"x10"x2"	5 6	----- -----
P-980(TRC)/ P-1020(TRC) & P-1040(TRC)	84121089 2605 7318	85101450 7317 and up	9284 9302 110-01623	29 1/2"x10"x2" 31 1/2"x10 1/4"x2" 33 1/2"x12 1/4"x2"	4 6 6	----- ----- 9424 & 110-01621



SNOWBLOWER FAN CHART

MODEL #	SERIAL #		PART #	DIMENSIONS	QTY BLADES	BOLTED BLADES	ROTATION
	FROM	TO					
PGS-740 & PGS-800	34927	and up	110-47972	27 1/2"x9"x40mm	4	-----	CW
PGS-1020TRC	30836	and up	110-01623	33 1/2"x12 1/4"x2"	6	-----	CW
P-982TRC-150	14948	16199	110-16371	29 1/2"x12 1/4"x2"	6	-----	CW
			110-16391	29 1/2"x12 1/4"x2"	6	130-13751	CW
	16200	17820	110-16372	29 1/2"x12 1/4"x2"	6	-----	CW
			110-16392	29 1/2"x12 1/4"x2"	6	130-25321	CW
	17821	19481	110-16392	29 1/2"x12 1/4"x2"	6	130-25321	CW
	19482	22924	110-22581	29 1/2"x12 1/4"x2"	5	130-25321	CW
	22925	26605	110-29081	33 1/2"x12 1/4"x2"	6	130-13752	CW
	26606	30835	110-29082	33 1/2"x12 1/4"x2"	6	130-59401	CW
30836	and up	110-29082	33 1/2"x12 1/4"x2"	6	130-59402	CW	
P-1022TRC-180M	16199	17681	110-16582	33 1/2"x12 1/4"x2 1/2"	6	130-25291	ccw
P-1022TRC-200	14526	16199	110-12551	33 1/2"x12 1/4"x2 1/2"	6	130-13751	CW
	16200	26605	110-12552	33 1/2"x12 1/4"x2 1/2"	6	130-13752	CW
	22925	33352	110-29311	36 1/2"x12 1/4"x2 1/2"	6	130-48522	CW
	33353	and up	110-29312	36 1/2"x12 1/4"x2 1/2"	6	130-48523	CW
PGV-1021TRC-150	28327	and up	110-40551	33 1/2"x12 1/4"x2"	6	130-67841	ccw
PGV-1022TRC-200 & PGV-1022TRC-220	29377	and up	110-40971	36 1/2"x12 1/4"x2 1/2"	6	130-73891	ccw
P-922(TRC)-98-93M	35189	and up	110-50101	33 1/2"x10"x2"	6	-----	CW



PUMA - LYNX SERIES SNOWBLOWER FAN CHART

<u>MODEL #</u>	<u>SERIAL #</u>		<u>PART #</u>	<u>DIMENSIONS</u>	<u>QTY</u> <u>BLADES</u>
	<u>FROM</u>	<u>TO</u>			
LYNX-52/62/70	all		110-40461	20 1/2"x5"x1"	4
PUMA-48/54	1001	33352	110-02871	19 1/2"x5 1/4"x1"	4
	33353	and up	110-45241	20 1/2"x6 1/8"x1"	4
PUMA-64	1001	33352	110-02871	19 1/2"x5 1/4"x1"	4
	33353	and up	110-42641	21 1/2"x6 1/8"x1 1/4"	4
PUMA-72	1001	30835	110-02871	19 1/2"x5 1/4"x1"	4
	30836	and up	110-42641	21 1/2"x6 1/8"x1 1/4"	4
PUMA-74	1001	22924	110-03031	21 1/2"x7"x40mm	4
	22925	33352	110-03032	21 1/2"x7"x1 1/4"	4
	33353	and up	110-03033	23 1/2"x7"x40mm	4
PUMA-84/94	1001	33352	110-03201	25 1/2"x10"x40mm	4
	33353	and up	110-45571	27 1/2"x10"x40mm	4
PUMA-96	36767	and up	110-52441	31 1/2"x10"x2"	5



SNOWBLOWER FAN CHART

MODEL #	SERIAL #		PART #	DIMENSIONS	QTY BLADES
	FROM	TO			
PXP-860 & PXP-860-92	19483	20721	110-01882	27 1/2"x10 1/2"x40mm	4
PXP-920 & PXP-920-98	19483	20721	110-04742	29 1/2"x10"x2"	5
PXPL-86 & PXPL-86-92	21056	and up	110-01882	27 1/2"x10 1/2"x40mm	4
PXPL-92 & PXPL-92-98	21056	and up	110-25372	31 1/2"x10"x2"	5



PRONOVOST SERIES

AUGER AND SPROCKET CHART

MODEL	SERIAL #		MAIN AUGER SPROCKETS					UPPER AUGER		
	FROM	TO	STANDARD	INDUSTR.	MAIN DRIVE	UPPER AUGER DR	BEARINGS	AUGER	SPROCKETS	BEARINGS
	P-480	8411290	8510336	6280	----	6271	----	UCFLD205-16	----	----
	8510337	7317	6280	----	6288	----	UCFLD205-16	----	----	----
P-540(TRC)	8411290	8510336	6281	----	6271	----	UCFLD205-16	----	----	----
	8510337	and up	6281	----	6288	----	UCFLD205-16	----	----	----
P-620(TRC)	8411290	8602450	6282	----	6272	----		----	----	----
	3726	and up	6282	----	6288	----	UCFLD205-16	----	----	----
P-640	2058	3725	6452	----	6272	----	UCFLD205-16	----	----	----
P-680(TRC)	3726	13618	6453	----	6272	----	UCFLD205-16	----	----	----
	13619	16199	6453	----	190-03141	----	UCFLD205-16	----	----	----
	16200	17010	110-18841	----	8144	----	UCFD207-20	----	----	----
	17011	22924	110-18841	----	190-05381	----	UCFD207-20	----	----	----
	22925	and up	110-18842	----	8021	----	UCFD207-20	----	----	----
P-720(TRC)	7318	13618	6457	----	6272	----	UCFLD205-16	----	----	----
	13619	16199	6457	----	190-03141	----	UCFLD205-16	----	----	----
	16200	17010	110-18871	----	8144	----	UCFD207-20	----	----	----
	17011	22924	110-18871	----	190-05381	----	UCFD207-20	----	----	----
	22925	and up	110-18872	----	8021	----	UCFD207-20	----	----	----
P-720-74	16200	17010	110-19001	----	8144	----	UCFD207-20	----	----	----
	17011	22924	110-19001	----	190-05381	----	UCFD207-20	----	----	----
	22925	and up	110-19002	----	8021	----	UCFD207-20	----	----	----
P-720(TRC)-74	16200	17010	110-19001	----	8144	----	UCFD207-20	----	----	----
	17011	22924	110-19001	----	190-05381	----	UCFD207-20	----	----	----
	22925	and up	110-19002	----	8021	----	UCFD207-20	----	----	----
P-720-80(TRC) & P-720-8028	19482	22924	110-22821	----	190-05381	----	UCFD207-20	----	----	----
	22925	and up	110-22822	----	8021	----	UCFD207-20	----	----	----
P-740(TRC)	8409811	9945	8023	----	8021	----	UCFD207-20	----	----	----
	9946	and up	8023	110-13901	8185	----	UCFD207-20	----	----	----
P-800(TRC)	8409811	9945	8024	----	8021	----	UCFD207-20	----	----	----
	9946	and up	8024	110-13911	8185	----	UCFD207-20	----	----	----
P-860(TRC)	8409811	9945	8025	----	8021	----	UCFD207-20	----	----	----
	9946	33352	8025	110-13921	8185	----	UCFD207-20	----	----	----
	33353	and up	8025	110-13922	8185	----	UCFD207-20	----	----	----
P-860(TRC)-92	13619	and up	110-13201	----	8185	----	UCFD207-20	----	----	----
P-862(TRC)	8409811	8728	8139	----	8021	8021	UCFD207-20	8134	8144	UCFD207-20
	9000	9104	8139	----	8021	8021	UCFD207-20	8134	8144	UCFD207-20
	8729	8999	8139	110-13921	8185	8021	UCFD207-20	8134	8144	UCFD207-20
	9105	33352	8139	110-13921	8185	8021	UCFD207-20	8134	8144	UCFD207-20
	33353	and up	8025	110-13922	8185	----	UCFD207-20	110-42522	190-11811	UCFD207-20



PRONOVOST SERIES

AUGER AND SPROCKET CHART

MODEL	SERIAL #		MAIN AUGER SPROCKETS				UPPER AUGER			
	FROM	TO	STANDARD	INDUSTR.	MAIN DRIVE	UPPER AUGER DR	BEARINGS	AUGER	SPROCKETS	BEARINGS
	P-INV-74	33233	33234	110-44291	----	8021	----	UCFD207-20	----	----
	33353	and up	110-44292	----	8021	----	UCFD207-20	----	----	----
P-INV-80	33353	and up	110-47341	----	8021	----	UCFD207-20	----	----	----
P-860-IV	8100	8107	8025-IV	----	6272	----	UCFLD205-16	----	----	----
	8841	and up	110-18831	----	9281	----	UCFD208-24	----	----	----
P-920-IV	10510	and up	110-02451	----	9281	----	UCFD208-24	----	----	----
P-1020-IV	36378	and up	110-50611	----	9281	----	UCFD208-24	----	----	----
P-892(TRC)	85021208	85121684	8922	----	9281	----	UCFD208-24	----	----	----
P-920(TRC)	84121089	85101450	9279	----	9281	----	UCFD208-24	----	----	----
	9946	and up	110-02061	110-45861	9281	----	UCFD208-24	----	----	----
P-920(TRC)-98	10794	and up	110-05171	110-21131	9281	----	UCFD208-24	----	----	----
P-992(TRC) & P-922(TRC)	1820	33352	9318	9425	9281	9326	UCFD208-24	9335	8144	UCFD207-20
	33353	and up	110-02061	110-45861	9281	----	UCFD208-24	110-45711	190-13081	UCFD207-20
P-981(34)(TRC)	22925	and up	110-05171	110-21131	9281	----	UCFD208-24	----	----	----
P-980(TRC)	84121089	85101450	9280	----	9281	----	UCFD208-24	----	----	----
	2605	8728	9315	9426	9281	9326	UCFD208-24	9330	8144	UCFD207-20
	9000	9104	9315	9426	9281	9326	UCFD208-24	9330	8144	UCFD207-20
	8729	8999	9315	9426	9471	9326	UCFD208-24	9330	8144	UCFD207-20
	9105	33352	9315	----	9471	9326	UCFD208-24	9330	8144	UCFD207-20
	9105	33352	----	9426	190-10351	190-10341	UCFD208-24	9330	8144	UCFD207-20
	33353	and up	110-02702	----	9471	----	UCFD208-24	110-43691	190-13201	UCFD207-20
	33353	and up	----	110-46111	190-10351	----	UCFD208-24	110-43691	190-13201	UCFD207-20
P-1020(TRC)	21587	33352	110-25031	----	9471	9326	UCFD208-24	110-25541	8144	UCFD207-20
	21587	33352	----	110-25161	190-10351	190-10341	UCFD208-24	110-25541	8144	UCFD207-20
	33353	35292	110-25032	----	9471	----	UCFD208-24	110-25092	190-13201	UCFD207-20
	33353	35292	----	110-25162	190-10351	----	UCFD208-24	110-25092	190-13201	UCFD207-20
	35293	and up	110-25033	----	9471	----	UCFD208-24	110-25093	190-13201	UCFD207-20
	35293	and up	----	110-25163	190-10351	----	UCFD208-24	110-25093	190-13201	UCFD207-20
P-1040(TRC)	2605	8728	9254	9427	9281	9326	UCFD208-24	9330	8144	UCFD207-20
	9000	9104	9254	9427	9281	9326	UCFD208-24	9330	8144	UCFD207-20
	8729	8999	9254	9427	9471	9326	UCFD208-24	9330	8144	UCFD207-20
	9105	33352	9254	----	9471	9326	UCFD208-24	9330	8144	UCFD207-20
	9105	33352	----	9427	190-10351	190-10341	UCFD208-24	9330	8144	UCFD207-20
	33353	and up	110-02712	----	9471	----	UCFD208-24	110-46071	190-13201	UCFD207-20
	33353	and up	----	110-46121	190-10351	----	UCFD208-24	110-46071	190-13201	UCFD207-20



INDUSTRIAL AND MOTORIZED SERIES

AUGER AND SPROCKET CHART

MODEL	SERIAL #		MAIN AUGER				SPROCKETS			UPPER AUGER		
	FROM	TO	STANDARD	INDUSTR.	MAIN DRIVE	BEARINGS	AUGER	SPROCKETS	BEARINGS			
PGS-740	34927	and up	110-46982	----	110-47031	UCFD208-24 & UCFD211-32	----	----	----			
PGS-800	34927	and up	110-49041	----	110-47031	UCFD208-24 & UCFD211-32	----	----	----			
PGS-1020TRC	30836 35293	35292 and up	110-42772 110-42773	----	110-40191 110-40191	HCFS211-32 & UCFD213-20	----	----	----			
P-982TRC-150	14948	26605	110-14711	110-16461	110-13321	HCFS211-32	110-14711 OR 110-16461	110-13321	HCFS211-32			
	26606	28326	110-38131	----	110-13321	HCFS211-32	110-38131	110-13321	HCFS211-32			
	28327	and up	110-38132	----	110-13322	UCFD213-40	110-38132	110-13322	UCFD213-40			
P-1022TRC-180M	16199	17681	110-13281	----	110-13321	HCFS211-32	110-13281	110-13321	HCFS211-32			
P-1022TRC-200	14526	24724	110-13281	----	110-13321	HCFS211-32	110-13281	110-13321	HCFS211-32			
	26606	28326	110-38141	----	110-13321	HCFS211-32	110-38141	110-13321	HCFS211-32			
	28327	and up	110-38142	----	110-13322	UCFD213-40	110-38142	110-13322	UCFD213-40			
PGV-1021TRC-150	28327	33325	110-40091	----	110-40191	UCFD213-40	----	----	----			
	33353	and up	110-40092	----	110-40191	UCFD213-40	----	----	----			
PGV-1022TRC-200 & PGV-1022TRC-220	29377	and up	110-40091	----	110-40191	UCFD213-40	110-40961	110-13322	UCFD213-40			
P-922(TRC)-98-93M	35189	and up	110-05171	110-21131	9281	UCFD208-24	110-47591	190-13081	UCFD207-20			



PUMA - LYNX SERIES

AUGER AND SPROCKET CHART

MODEL	SERIAL #		AUGER	SPROCKETS	BEARINGS
	FROM	TO			
LYNX-52	all		110-40451	6288	UCFLD205-16
LYNX-62	all		110-40651	6288	UCFLD205-16
LYNX-70	all		110-40491	6288	UCFLD205-16
PUMA-48	19482	and up	110-22631	6288	UCFLD205-16
PUMA-54	1001	and up	110-02941	6288	UCFLD205-16
PUMA-64	1001	and up	110-02961	6288	UCFLD205-16
PUMA-72	17821	and up	110-20991	6288	UCFLD205-16
PUMA-74	1001	33352	110-03061	8021	UCFD207-20
	33353	and up	110-03062	8021	UCFD207-20
PUMA-84	1001	33352	110-03211	8021	UCFD207-20
	33353	and up	110-45581	8021	UCFD207-20
PUMA-94	1001	33352	110-04271	8021	UCFD207-20
	33353	and up	110-45601	8021	UCFD207-20
PUMA-96	36767	and up	110-52411	9281	UCFD208-24



SERIE PXP & PXPL

AUGER AND SPROCKET CHART

MODEL	SERIAL #		AUGER	SPROCKETS	BEARINGS
	FROM	TO			
PXP-860	19483	20721	8025	8185	UCFD207-20
PXP-860-92	19483	20721	110-13201	8185	UCFD207-20
PXP-920	19483	20721	110-02061	9281	UCFD208-24
PXP-920-98	19483	20721	110-05171	9281	UCFD208-24
PXPL-86	21056	and up	110-26031	9281	UCFD208-24
PXPL-86-92	21056	and up	110-23151	9281	UCFD208-24
PXPL-92	21056	and up	110-25991	9281	UCFD208-24
PXPL-92-98	21056	and up	110-25361	9281	UCFD208-24



PRONOVOST SERIES

SEPT. 2012

ROTARY DRUM

1 of 2

<u>MODEL</u>	<u>FROM</u>	SERIAL # <u>TO</u>	<u>ROTARY DRUM</u>	<u>DIMENSIONS DRUM</u>
P-540TRC	7318	10793	6526	22" x 9"
	10794	14948	110-02551	22" x 9"
	14949	and up	110-02552	22" x 9"
P-620TRC	7318	10793	6526	22" x 9"
	10794	14948	110-02551	22" x 9"
	14949	and up	110-02552	22" x 9"
P-680TRC & P-720TRC	7318	10793	6527	24" x 9"
	10794	14948	110-02571	24" x 9"
	14949	16199	110-02572	24" x 9"
	16200	17652	110-02572	24" x 10 1/2"
	17653	22924	110-21171	24" x 10 1/2"
	22925	24724	110-21172	24" x 10 1/2"
P-720TRC-74 & P-720TRC-80	16200	17652	110-02572	24" x 10 1/2"
	17653	22924	110-21171	24" x 10 1/2"
	22925	and up	110-40391	26" x 10 1/2"
P-740TRC & P-800TRC	8409811	7317	8038	26" x 11"
	7318	13618	8197	26" x 12"
	13619	17820	110-12441	26" x 12"
	17821	35292	110-12442	26" x 12"
	35293	and up	110-12443	26" x 12"
P-860TRC/ P-862TRC & P-860TRC-92	8409811	7317	8038	26" x 11"
	7318	17820	110-12431	28" x 12"
	17821	35292	110-12432	28" x 12"
	35293	and up	110-12433	28" x 12"
P-892TRC	85121640	85121684	8038	26" x 10"
P-920TRC & P-920TRC-98	84121089	85101450	9300	30" x 10 1/2"
	10794	13618	110-01921	30" x 12"
	13619	17820	110-12611	30" x 12"
	17821	22924	110-12612	30" x 12"
	22925	35292	110-12613	30" x 12"
	35293	and up	110-12614	30" x 12"
P-992TRC	3726	4964	9332	28" x 12"
	4965	7317	9323	28" x 12"
	7318	16199	110-12841	30" x 15"
	16200	22924	110-12842	30" x 15"
	22925	and up	110-12843	30" x 15"
P-981(34)TRC & P-922TRC	22925	24724	110-12843	30" x 15"
	24725	and up	110-31871	34" x 12"



PRONOVOST SERIES

ROTARY DRUM

<u>MODEL</u>	<u>SERIAL #</u>		<u>ROTARY</u>	<u>DIMENSIONS</u>
	<u>FROM</u>	<u>TO</u>	<u>DRUM</u>	<u>DRUM</u>
P-980TRC/ P-1020TRC& P-1040TRC	84121089	85101450	9300	30" x 10 1/2"
	2605	4964	9319	32" x 12"
	4965	7317	9319-T	32" x 12"
	7318	16199	110-12851	34" x 15"
	16200	16441	110-12853A	34" x 15"
	16442	17820	110-12853	34" x 15"
	17821	22924	110-12854	34" x 15"
	22925	and up	110-12855	34" x 15"

N.B. Certain rotary drums are available in QT450 hardened steel.
Add T1 at the end of the number to order.



INDUSTRIAL SERIES

ROTARY DRUM

<u>MODEL</u>	<u>FROM</u>	SERIAL # <u>TO</u>	<u>ROTARY DRUM</u>	<u>DIMENSIONS DRUM</u>
PGS-1020TRC	30836	and up	110-12855-T1	34" x 15"
P-982TRC-150	14948	24724	110-14781	30" x 15"
	24725	and up	110-29071	34" x 15"
P-1022TRC-180M	16199	17681	110-16561	34" x 15"
P-1022TRC-200	14526	26605	110-13111	34" x 15"
	26606	and up	110-29281	37" x 15"
PGV-1021TRC-150	28327	and up	110-40251	34" x 15"
PGV-1022TRC-200 & PGV-1022TRC-220	29377	and up	110-40821	37" x 15"

N.B. All industrial rotary drums are made of QT450 steel.



PRONOVOST SERIES

BINDER COMPONENTS CHART

MODEL	SERIAL #		BINDER	PIVOT	ROD	TUBE	SPRING	SPACER	SPROCKET	COMPLETE KIT
	FROM	TO								
P-480	8411290	2554	6264	----	----	----	----	----	6266	----
	2455	7317	6347	----	----	----	----	----	8122	----
P-540(TRC)	8411290	2554	6264	----	----	----	----	----	6266	----
	2455	9945	6347	----	----	----	----	----	8122	----
	9946	14948	110-01972	150-00462	110-01991	110-01981	6538	160-01611	8122	110-01970
	14949	22924	110-01972	150-00462	110-01991	110-01981	6538	160-01612	6604	110-01970-1
	22925	and up	110-01972	150-00462	110-01991	110-01981	6538	160-01612	6604	110-01970-1
P-620(TRC)	8411290	8602450	6265	----	----	----	----	----	8014	----
	3726	9945	6347	----	----	----	----	----	8122	----
	9946	14948	110-01972	150-00462	110-01991	110-01981	6538	160-01611	8122	110-01970
	14949	22924	110-01972	150-00462	110-01991	110-01981	6538	160-01612	6604	110-01970-1
	22925	and up	110-01972	150-00462	110-01991	110-01981	6538	160-01612	6604	110-01970-1
P-640	2058	2454	6265	----	----	----	----	----	8014	----
	2058	3725	6358	----	----	----	----	----	8122	----
P-680(TRC), P-720(TRC), P-720(TRC)-74, P-720-80 & P-720-8028	3726	8728	6358	----	----	----	----	----	8122	----
	9000	9104	6358	----	----	----	----	----	8122	----
	8729	8999	6358	----	----	----	----	----	8186	----
	9105	9945	6358	----	----	----	----	----	8186	----
	9946	16199	110-02151	150-00501	110-02141	110-01981	6538	Nut 5/8"	8186	110-02150
	16200	21141	110-16361	150-00332	110-16321	110-01981	6538	Nut 5/8"	8186	110-16360
P-740(TRC), P-800(TRC), P-860(TRC), P-862(TRC) & P-860-92(TRC)	8409811	2554	8013	----	----	----	----	----	8014	----
	2605	6433	8128	----	----	----	----	----	8122	----
	6434	9945	8128	----	----	----	----	----	8186	----
	9946	16199	110-01211	150-00381	110-01231	110-01221	9473	Nut 7/8"	9287	110-01210
	16200	and up	110-01211	150-00381	110-01232	110-01221	9473	Nut 7/8"	9287	110-01210-1
P-892(TRC)	85121640	85121684	8930	----	----	----	----	----	9287	----
P-INV-74/80	33233	and up	110-44401	----	110-44411	110-01221	9473	Nut 5/8"	8186	110-44400
P-860-IV	8100	8107	6347						8122	----
	8841	9373	8128						9287	----
	16200	21141	110-01052	150-00332	110-02402	110-10271	9473	160-06511	9287	110-01050-INV
	21142	and up	110-01052	150-00332	110-02402	110-10271	9688	160-06511	9287	110-01050-INV-2
P-920-IV & P-1020-INV	10510	10793	110-02391	150-00332	110-02402	110-01221	9473	Nut 7/8"	9287	----
	10794	12420	110-01052	150-00332	110-02402	110-01221	9473	Nut 7/8"	9287	----
	12421	13618	110-01052	150-00332	110-02402	110-10271	9473	Nut 7/8"	9287	110-01050-INV
	13619	21141	110-01052	150-00332	110-02402	110-10271	9473	160-06511	9287	110-01050-INV
	21142	and up	110-01052	150-00332	110-02402	110-10271	9688	160-06511	9287	110-01050-INV-2

N.B. Complete kit does not include sprockets.



PRONOVOST SERIES

BINDER COMPONENTS CHART

MODEL	SERIAL #		BINDER	PIVOT	ROD	TUBE	SPRING	SPACER	SPROCKET	COMPLETE KIT
	FROM	TO								
P-920(TRC),	84121089	85101450	9290	----	----	----	----	----	9287	----
P-920(TRC)-98,	9946	16199	110-01052	150-00332	110-01062	110-01071	9473	Nut 7/8"	9287	110-01050
P-922(TRC) &	16200	21141	110-01052	150-00332	110-01063	110-01071	9473	160-06511	9287	110-01050-2
P-981(34)(TRC)	21142	and up	110-01052	150-00332	110-01063	110-01071	9688	160-06511	9287	110-01050-3
P-992(TRC)	1820	9945	9290	----	----	----	----	----	9287	----
	9946	14948	110-01052	150-00332	110-01062	110-01071	9473	Nut 7/8"	9287	110-01050
	14949	16199	110-01052	150-00332	110-01062	110-01071	9473	160-06511	9287	110-01050
	16200	21141	110-01052	150-00332	110-01063	110-01071	9473	160-06511	9287	110-01050-2
	21142	and up	110-01052	150-00332	110-01063	110-01071	9688	160-06511	9287	110-01050-3
P-980(TRC), P-1020(TRC) & P-1040(TRC)	84121084	8728	9290	----	----	----	----	----	9287	----
	9000	9104	9290	----	----	----	----	----	9287	----
	8729	8999	9290	----	----	----	----	----	9470	----
	9105	9945	9290	----	----	----	----	----	9470	----
	9946	14948	110-01052	150-00332	110-01062	110-01071	9473	Nut 7/8"	9470	110-01050
	14949	16199	110-01052	150-00332	110-01062	110-01071	9473	160-06511	9470	110-01050
	16200	21141	110-01052	150-00332	110-01063	110-01071	9473	160-06511	9470	110-01050-2
21142	and up	110-01052	150-00332	110-01063	110-01071	9688	160-06511	9470	110-01050-3	

N.B. Complete kit does not include sprockets.



INDUSTRIAL AND MOTORIZED SNOWBLOWER

BINDER COMPONENTS CHART

MODEL	SERIAL #		BINDER		ROD	TUBE	SPRING	SPACER	SPROCKET
	FROM	TO	INNER	OUTER					
PGS-740 & PGS-800	34927	and up	110-47231	110-47261	110-47961	110-47941	9688	160-27771	9287
PGS-1020TRC	30836	and up	110-35421	110-39101	110-39191	110-17762	9687	160-22371	9470
P-982TRC-150	14948	16199	110-11051	110-13431	110-01062	110-01071	9473	160-02171	9470
	16200	28326	110-17771	110-17731	110-17751	110-17761	9687	160-02171	9470
	28327	and up	110-17771	110-17732	110-17751	110-17762	9687	160-02171	9470
P-1022TRC-180M	16199	17681	110-17771	110-17731	110-17751	110-17761	9605	160-02171	9470
P-1022TRC-200	14526	16199	110-11051	110-13431	110-01062	110-01071	9473	160-02171	9470
	16200	28326	110-17771	110-17731	110-17751	110-17761	9687	160-02171	9470
	28327	and up	110-17771	110-17732	110-17751	110-17762	9687	160-02171	9470
PGV-1021TRC-150	28327	and up	110-35421	110-39101	110-39191	110-17762	9687	160-22371	9470
PGV-1022TRC-200 & PGV-1022TRC-220	29377	and up	110-35421	110-39101	110-39191	110-17762	9687	160-22371	9470
P-922(TRC)-98-93M	35189	and up	110-01052		110-01063	110-01071	9688	160-06511	9287



PUMA - LYNX SERIES

BINDER COMPONENTS CHART

MODEL	SERIAL #		BINDER	SPROCKETS
	FROM	TO		
LYNX-52/62/70	28327	and up	110-07732	6604
PUMA-48	19482	and up	110-07732	6604
PUMA-54	1001	14948	110-07731	8122
	14949	and up	110-07732	6604
PUMA-64	1001	14948	110-07731	8122
	14949	and up	110-07732	6604
PUMA-72	17821	and up	110-07732	6604
PUMA-74	1001	and up	110-07781	8186
PUMA-84	1001	and up	110-07781	8186
PUMA-94	1001	and up	110-07781	8186
PUMA-96	36767	and up	110-52361	9287



PXP & PXPL SERIES

BINDER COMPONENTS CHART

MODEL	SERIAL #		BINDER	PIVOT	ROD	TUBE	SPRING	SPACER	SPROCKET	COMPLETE KIT
	FROM	TO								
PXP-860 & PXP-860-92	19483	20721	110-01211	150-00381	110-01232	110-01221	9473	Nut 7/8"	9287	110-01210-1
PXP-920 & PXP-920-98	19483	20721	110-01052	150-00332	110-01063	110-01071	9473	160-06511	9287	110-01050-2
PXPL-86 & PXPL-86-92	21056	and up	110-23121	150-00332	110-23291	110-10271	9473	160-06511	9287	110-23120
PXPL-92 & PXPL-92-98	21056	and up	110-01052	150-00332	110-01063	110-01071	9688	160-06511	9287	110-01050-3

N.B. Complete kit does not include sprockets.