



Matador 7900

Parts Catalogue
June 2012



Replacement Parts

To obtain prompt, efficient service, give the dealer the following information.

1. Correct stock number.
2. Model number of the machine.
3. Serial number of the machine.

The serial number is important in identifying your machine. It contains information for ordering replacement parts and options which may vary depending on the serial number identification.

Measurements are given in U.S. units followed by the equivalent in metric units. Hardware sizes are given in inches for the U.S. hardware and millimeters for the metric hardware.

All nuts and bolts are specified in Grade 5 unless otherwise specified.

AgLand	
Model #:	Matador 7900
Serial #:	
Made in Canada	

Serial # on plate inside right side cover.

Table of Contents

Matador 7900 Parts Order FormFront of Catalogue

Main Frame & Wheel Assembly.....2-3

Wheel Hub Assembly4-5

Pickup

 Left Side6-9

 Right Side..... 10-13

Hydraulics..... **14-15**

Lift - Hydraulic..... **16-17**

Moldboard **18-19**

Decals **20-21**

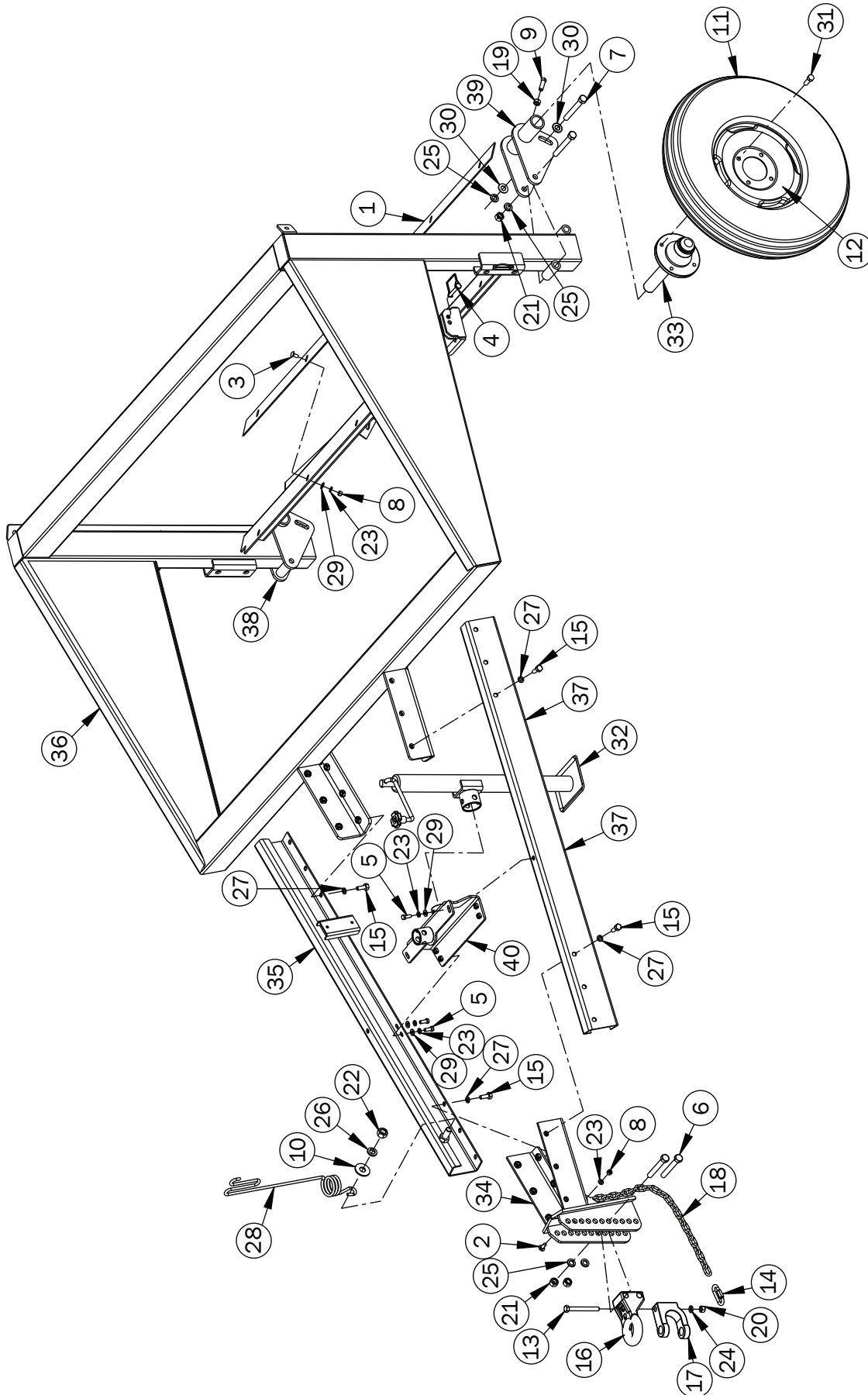
Index

 Stock Numbers 22-24

 Drawing Numbers..... 25-27

Warranty **Back Cover**

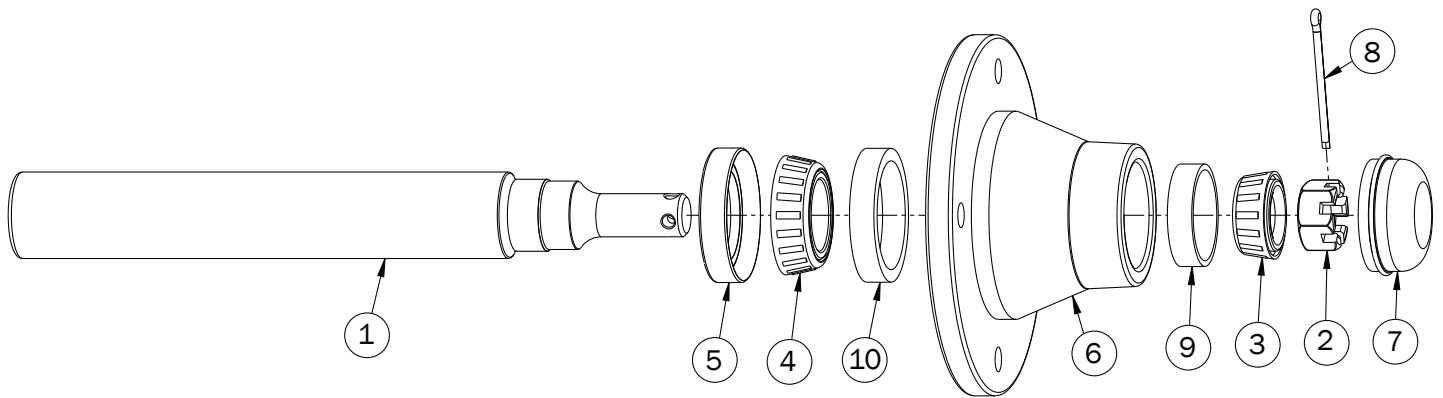
Main Frame & Wheel Assembly



Main Frame & Wheel Assembly

Item No.	Stock No.	Description	Qty.
1	802707	Blade, Shear	2
2	800057	3/8" x 1" Bolt, Carr.	1
3	800061	3/8" x 3/4" Bolt, Carr.	6
4	800162	Pin, Quick, 3/8" x 2-1/4"	1
5	800195	3/8" x 1" Bolt, Standard	6
6	800216	5/8" x 4-1/2" Bolt, Standard	2
7	800217	5/8" x 5" Bolt, Standard	4
8	800236	3/8" Nut, Standard	7
9	800258	1/2" x 1-1/2" Setscrew, Sq Hd	2
10	800278	3/4" Washer, Flat	1
11	802839	Tire, Wheel & Valve Stem	2
12	802840	Rim, 15 x 4.5 x 4 Bolt	2
13	803616	1/2" x 4-1/2" Bolt, Fine Thread, Gr. 8	1
14	803622	Quick Link, Chain, 5/16"	1
15	803625	7/16" x 1-1/4" Bolt, Standard	24
16	804090	Cast Hitch Top	1
17	804093	Cast Hitch Clevis	1
18	804110	Chain, Travel Safety	1
19	804196	1/2" Nut, Standard	2
20	804197	1/2" Nut, Standard, Fine Thread	1
21	804198	5/8" Nut, Standard	6
22	804199	3/4" Nut, Standard	1
23	804366	3/8" Washer, Lock	13
24	804367	1/2" Washer, Lock	1
25	804368	5/8" Washer, Lock	6
26	804369	3/4" Washer, Lock	1
27	806556	7/16" Washer, Lock	30
28	807513	Spring - Hose Holder	1
29	807523	3/8" SAE Washer, Flat	12
30	807525	5/8" SAE Washer, Flat	4
31	807624	Wheel Bolt, 1/2" x 1-3/4" NF	8
32	808817	Jack, Top Wind	1
33	807626	Wheel Hub Assembly (See pages 4-5)	2
34	802845	Hitch, A-Frame	1
35	802691	Arm, Hitch, R/H	1
36	808729	Main Frame, Matador	1
37	814681	Channel, R/H, A-Frame	1
38	802754	Mount, Spindle, Wheel, R/H	1
39	802756	Mount, Spindle, Wheel, L/H	1
40	814685	Bracket, Jack Mount	1

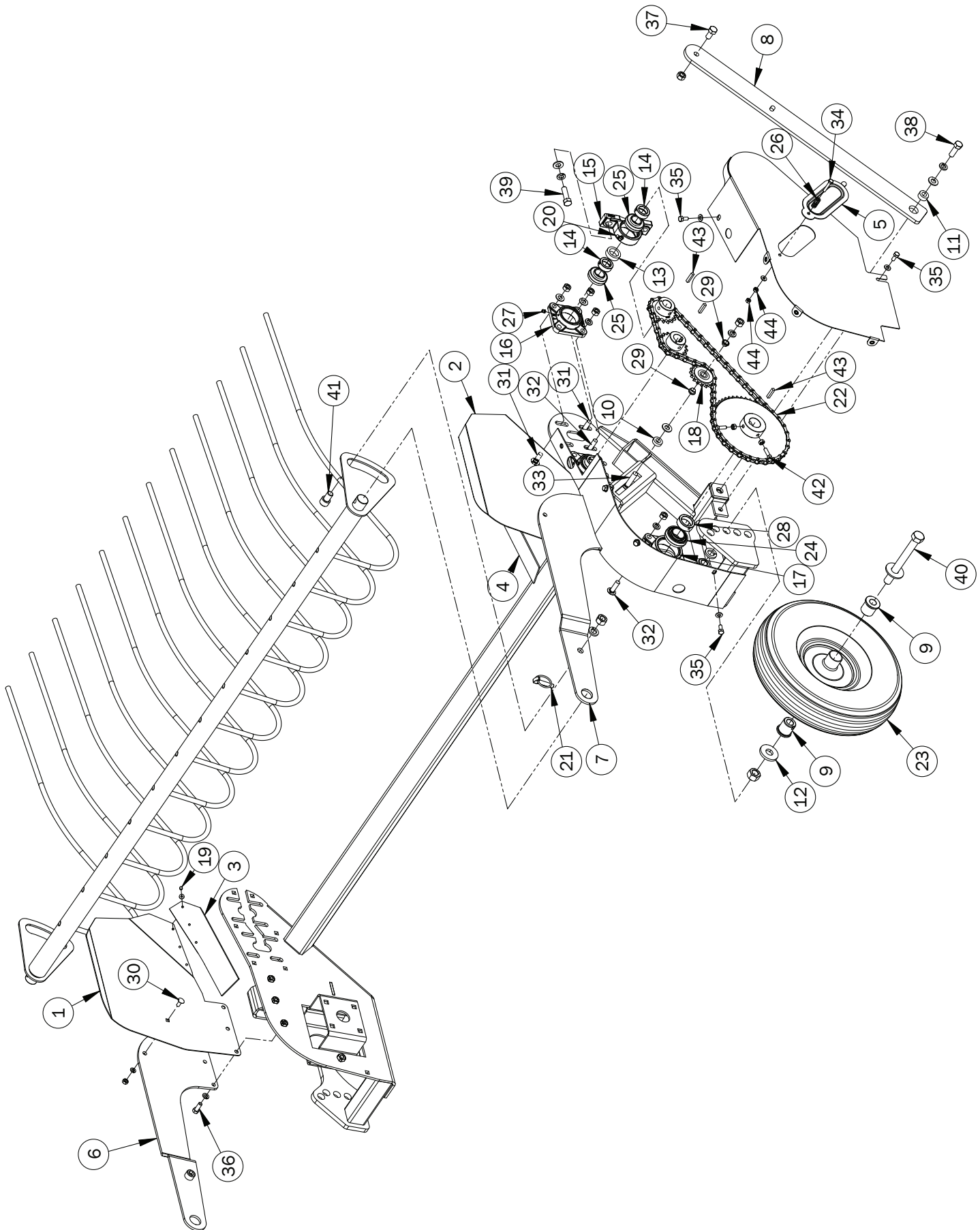
Wheel Hub Assembly



Wheel Hub Assembly

Item No.	Stock No.	Description	Qty.
1	807627	Spindle	1
2	800128	Nut	1
3	807621	Bearing	1
4	807622	Bearing	1
5	807623	Seal, Oil	1
6	807628	Hub	1
7	807629	Hub Cap	1
8	808885	Cotter Pin	1
9	809043	Bearing Race	1
10	809044	Bearing Race	1

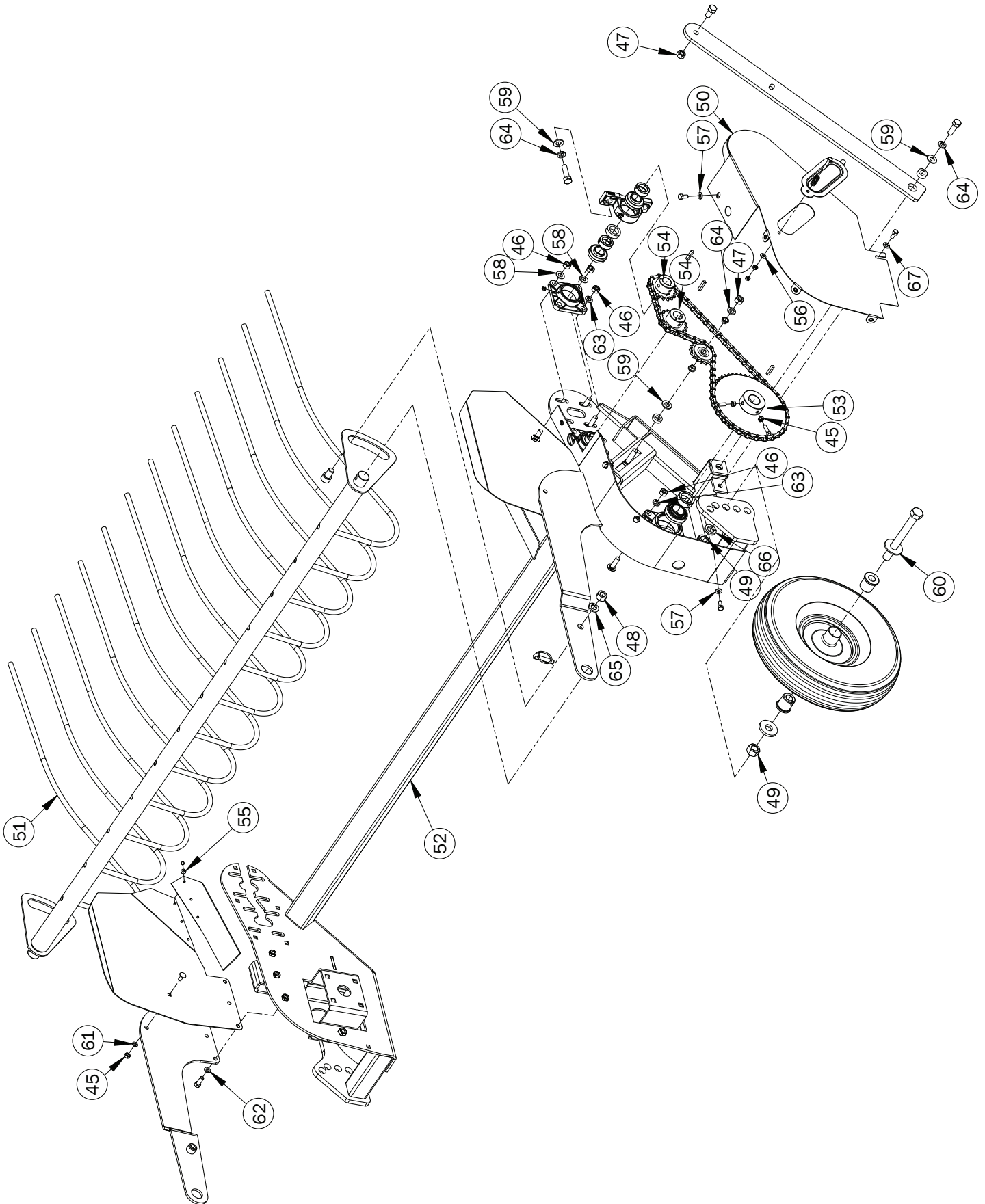
Pickup - Left Side



Pickup - Left Side

Item No.	Stock No.	Description	Qty.
1	808599	Guard, Swath R/H	1
2	808602	Guard, Swath L/H	1
3	802739	Rubber, Flap, Swath Guard, R/H	1
4	802742	Rubber, Flap, Swath Guard, L/H	1
5	802751	Cover, Service	1
6	808608	Arm, Comb R/H	1
7	808604	Arm, Comb L/H	1
8	802813	Bar, Lift	1
9	802607	Bushing, Gauge Wheel	4
10	802823	Bushing, Lift Bracket	1
11	802826	Bushing, Travel Lift Arm	1
12	810590	Spacer, Gauge Wheel	2
13	802498	Bushing, Roller Drive Sprocket	1
14	800045	Locking Collar, 1"	3
15	800046	Housing, 2 Bolt	1
16	800096	Housing, 4 Bolt	2
17	800097	Housing, 4 Bolt	1
18	800131	Idler Sprocket, 0.625"	1
19	800159	Rivet, Steel, Blind, 0.187"	6
20	800759	Nipple, Grease, 90 Degree, 1/4" NF	1
21	801818	Pin, Lynch, 7/16"	2
22	802499	Chain, Pickup Drive	1
23	802838	Gauge Tire with Rim	2
24	804061	Bearing	1
25	804062	Bearing	3
26	804301	Spring, Compression	1
27	807558	Nipple, Grease 1/4" NF	3
28	808355	Locking Collar, 1.250"	1
29	808647	Bushing, Idler Sprocket, 0.5"	2
30	800062	5/16" x 3/4" Bolt, Carr.	2
31	800073	7/16" x 1-1/4" Bolt, Carr.	2
32	800072	7/16" x 1-1/2" Bolt, Carr.	10
33	808884	1/2" x 2" Bolt, Carr.	1
34	800180	1/4" x 1-1/2" Bolt, Standard	1
35	800209	5/16" x 3/4" Bolt, Standard	5
36	800195	3/8" x 1" Bolt, Standard	6
37	800164	1/2" x 1" Bolt, Standard	1
38	800165	1/2" x 1-1/2" Bolt, Standard	1
39	800167	1/2" x 1-3/4" Bolt, Standard	2
40	800194	3/4" x 7" Bolt, Standard	2
41	800231	5/8" x 1" Cap Screw, Socket Head	2
42	800261	5/16" x 1" Setscrew, Sq Hd	6
43	803660	1/4" x 1-1/4" Key	3
44	800233	1/4" Nut, Standard	2

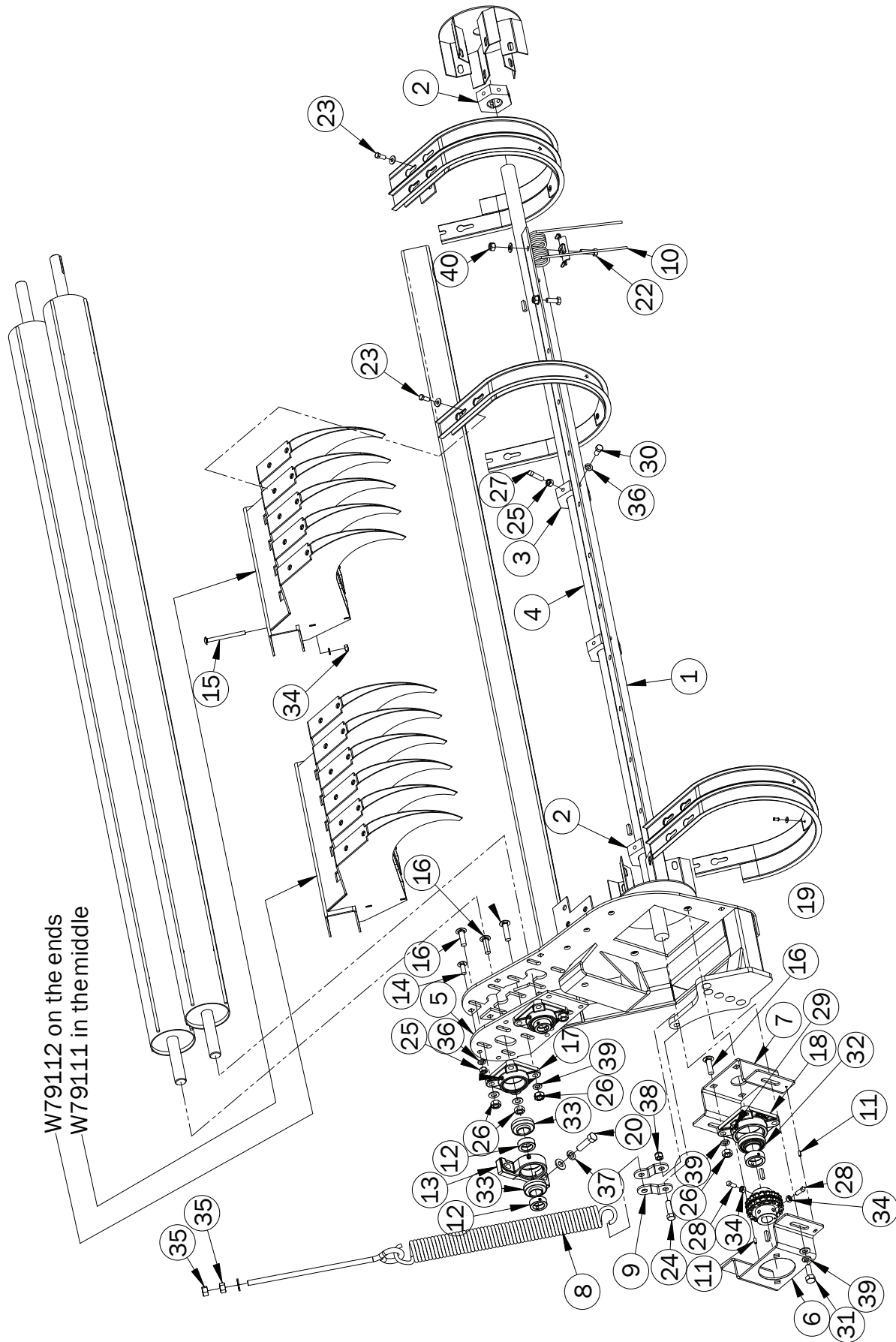
Pickup - Left Side con't



Pickup - Left Side con't

Item No.	Stock No.	Description	Qty.
45	804194	5/16" Nut, Standard	8
46	800240	7/16" Nut, Standard	12
47	804196	1/2" Nut, Standard	2
48	804198	5/8" Nut, Standard	2
49	804199	3/4" Nut, Standard	4
50	810600	Cover, Chain	1
51	808742	Comb Weldment	1
52	810596	Frame, Pickup	1
53	802493	Sprocket, Pickup Drive	1
54	802495	Sprocket with 1" Hub	2
55	800276	Number 10 Washer, Flat	6
56	808781	1/4" SAE Washer, Flat	1
57	807522	5/16" SAE Washer, Flat	4
58	807799	7/16" SAE Washer, Flat	2
59	807524	1/2" SAE Washer, Flat	4
60	800278	3/4" Washer, Flat	2
61	807528	5/16" Washer, Lock	2
62	804366	3/8" Washer, Lock	6
63	806556	7/16" Washer, Lock	10
64	804367	1/2" Washer, Lock	4
65	804368	5/8" Washer, Lock	2
66	804369	3/4" Washer, Lock	2
67	804361	5/16" Washer, Flat	1

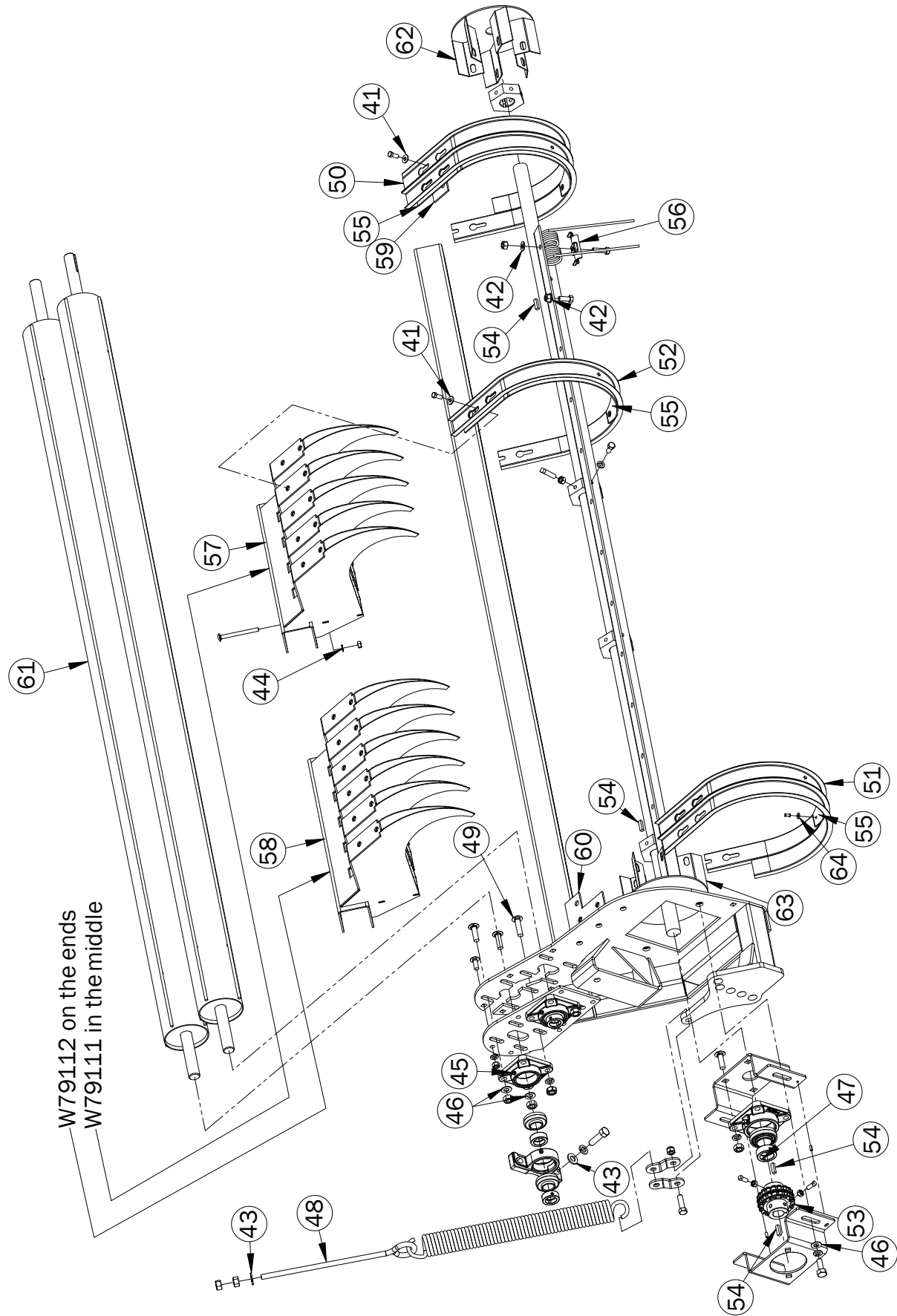
Pickup - Right Side



Pickup - Right Side

Item No.	Stock No.	Description	Qty.
1	802759	Angle, Tine Bar	6
2	807023	Block, Hex	2
3	807022	Block, Hex	2
4	802760	Shaft	1
5	802782	Support, Bearing	1
6	802792	Bracket, Motor	1
7	802794	Bracket, Bearing	1
8	808697	Spring, Lift, Pickup	1
9	802812	Link, Spring	2
10	801733	Tooth, Pickup	78
11	809325	Pin, Spring, 0.187" x 0.5"	2
12	800045	Locking Collar, 1"	3
13	800046	Housing, 2 Bolt	1
14	800057	3/8" x 1" Bolt, Carr.	6
15	800063	5/16" x 3-1/2" Bolt, Carr.	12
16	800072	7/16" x 1-1/2" Bolt, Carr.	6
17	800096	Housing, 4 Bolt	2
18	800097	Housing, 4 Bolt	1
19	800159	Steel, Blind Rivet, 0.187"	54
20	800167	1/2" x 1-3/4" Bolt, Standard	2
21	800195	3/8" x 1" Bolt, Standard	66
22	800197	3/8" x 1-1/4" Bolt, Standard	12
23	800209	5/16" x 3/4" Bolt, Standard	112
24	800219	7/16" x 1-1/2" Bolt, Standard	1
25	800236	3/8" Nut, Standard	10
26	800240	7/16" Nut, Standard	12
27	800260	3/8" x 1-1/2", Screw, Set, Squarehead, Gr. 8	4
28	800264	5/16" x 3/4" Setscrew, Sq Hd	4
29	800759	Nipple, Grease, 90 Degree, 1/4" NF	1
30	803623	3/8" x 3/4" Bolt, Standard	20
31	803625	7/16" x 1-1/4" Bolt, Standard	2
32	804061	Bearing	1
33	804062	Bearing	3
34	804194	5/16" Nut, Standard	16
35	804196	1/2" Nut, Standard	2
36	804366	3/8" Washer, Lock, spring, Gr. 8	30
37	804367	1/2" Washer, Lock, spring, Gr. 8	2
38	806360	7/16" Nut, Standard, Lock, Nylon Insert	1
39	806556	7/16" Washer, Lock	12
40	806636	3/8" Nut, Pinch Lock	78

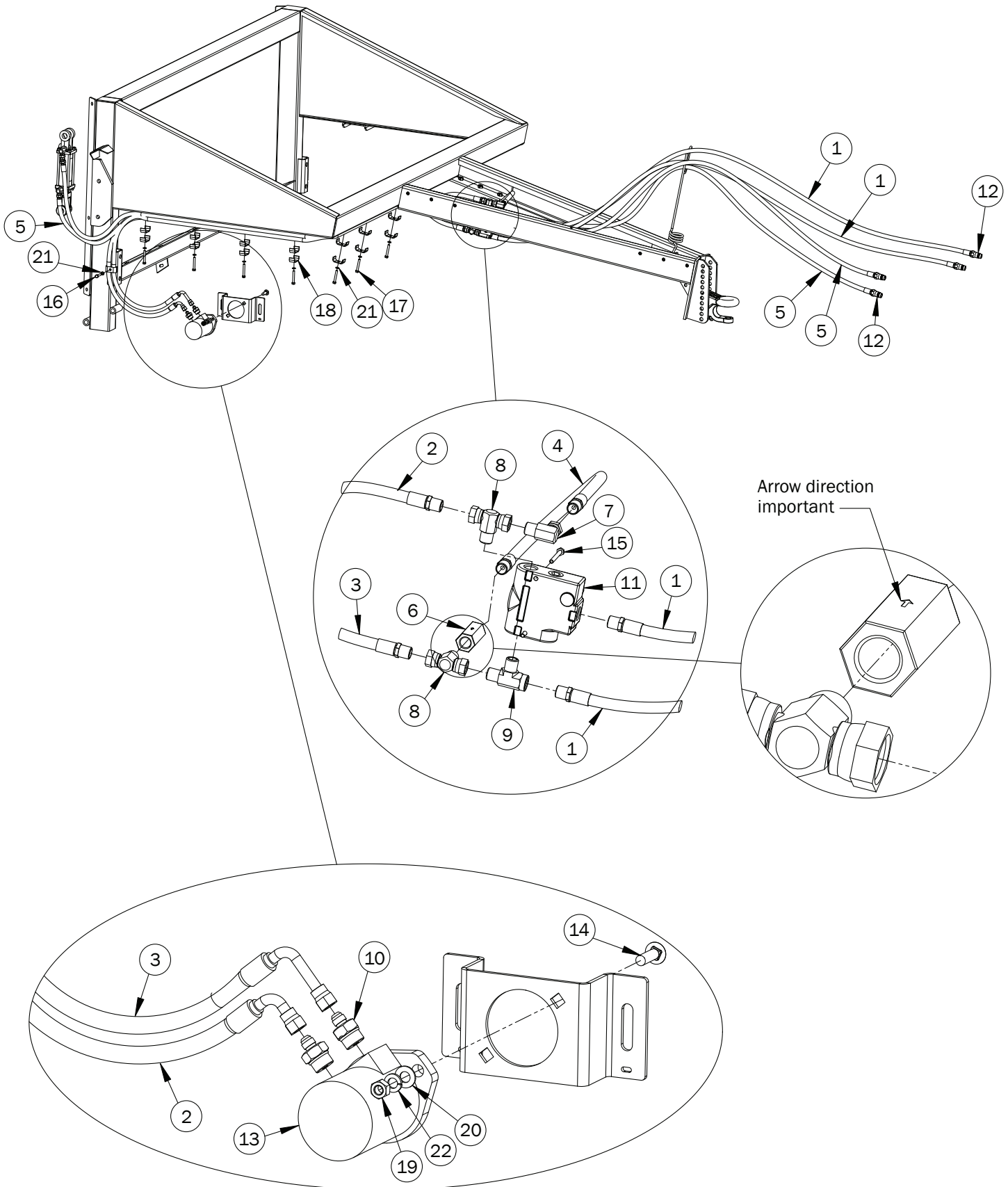
Pickup - Right Side con't



Pickup - Right Side con't

Item No.	Stock No.	Description	Qty.
41	807522	5/16" SAE Washer, Flat	112
42	807523	3/8" SAE Washer, Flat	78
43	807524	1/2" SAE Washer, Flat	3
44	807528	5/16" Washer, Lock	12
45	807558	Nipple, Grease, 1/4" NF	3
46	807799	7/16" SAE Washer, Flat	4
47	808355	Collar, Locking, 1.250"	1
48	808849	Bolt, Eye, NC, 1/2" x 12"	1
49	808991	7/16" x 1-3/4" Bolt, Carr.	6
50	802731	Wrapper, Pickup, Short, L/H	1
51	802734	Wrapper, Pickup, Short, R/H	1
52	802737	Wrapper, Pickup	25
53	802507	Coupler, Hydraulic Motor	1
54	803659	1/4" x 1" Key	4
55	803727	Spacer, Pickup Wrapper	27
56	808596	Clamp, Pickup Tooth	78
57	802769	Tine Divider, 5 Tooth	3
58	802772	Tine Divider, 6 Tooth	2
59	802776	End Plate, Bolting	1
60	802774	End Plate, Bolting	1
61	802797	Tube, Roller	2
62	802841	Cylinder, End, L/H	1
63	802843	Cylinder, End, R/H	1
64	800276	Number 10 Washer, Flat	54

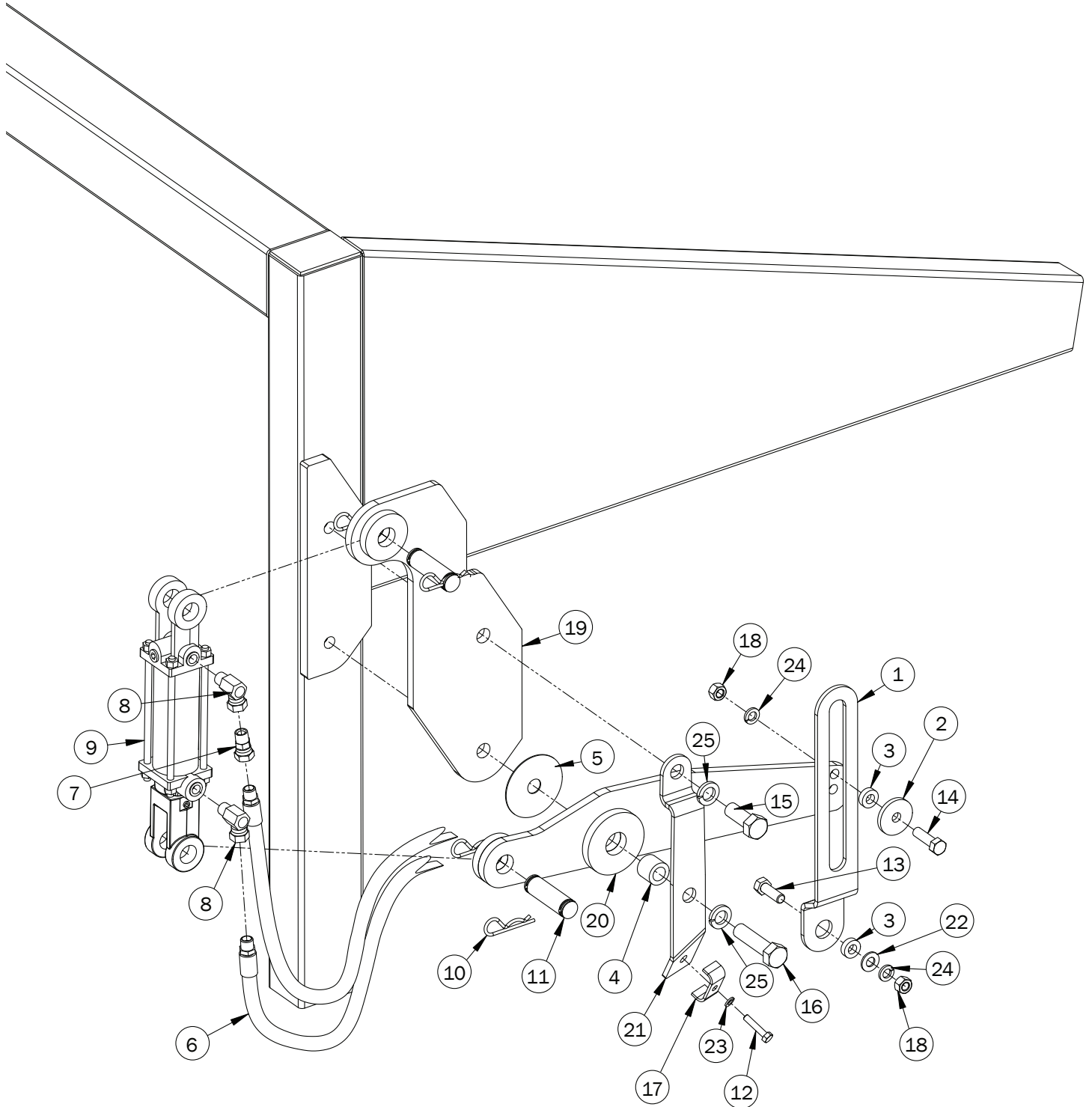
Hydraulics



Hydraulics

Item No.	Stock No.	Description	Qty.
1	802475	Hydraulic Hose, 94"	2
2	802476	Hydraulic Hose, 123"	1
3	802477	Hydraulic Hose, 117"	1
4	802478	Hydraulic Hose, 24"	1
5	802479	Hydraulic Hose, 198" (See pages 16-17 , Item 6.)	-
6	802474	Valve, Check	1
7	802482	Elbow, Hydraulic	1
8	802484	Tee, Hydraulic	2
9	802485	Tee, Hydraulic	1
10	802486	Adapter, Hydraulic	2
11	802836	Valve Body	1
12	804099	Quick Coupler	4
13	808787	Motor, Hydraulic, 2005 DH 160	1
14	800072	7/16" x 1-1/2" Bolt, Carr.	2
15	800183	1/4" x 2-1/2" Bolt, Standard	2
16	800205	5/16" x 1-1/2" Bolt, Standard	1
17	800208	5/16" x 2-1/4" Bolt, Standard	7
18	803829	Hydraulic Hose Clamp	15
19	800240	7/16" Nut, Standard	2
20	807799	7/16" SAE Washer, Flat	2
21	807528	5/16" Washer, Lock	8
22	806556	7/16" Washer, Lock	2

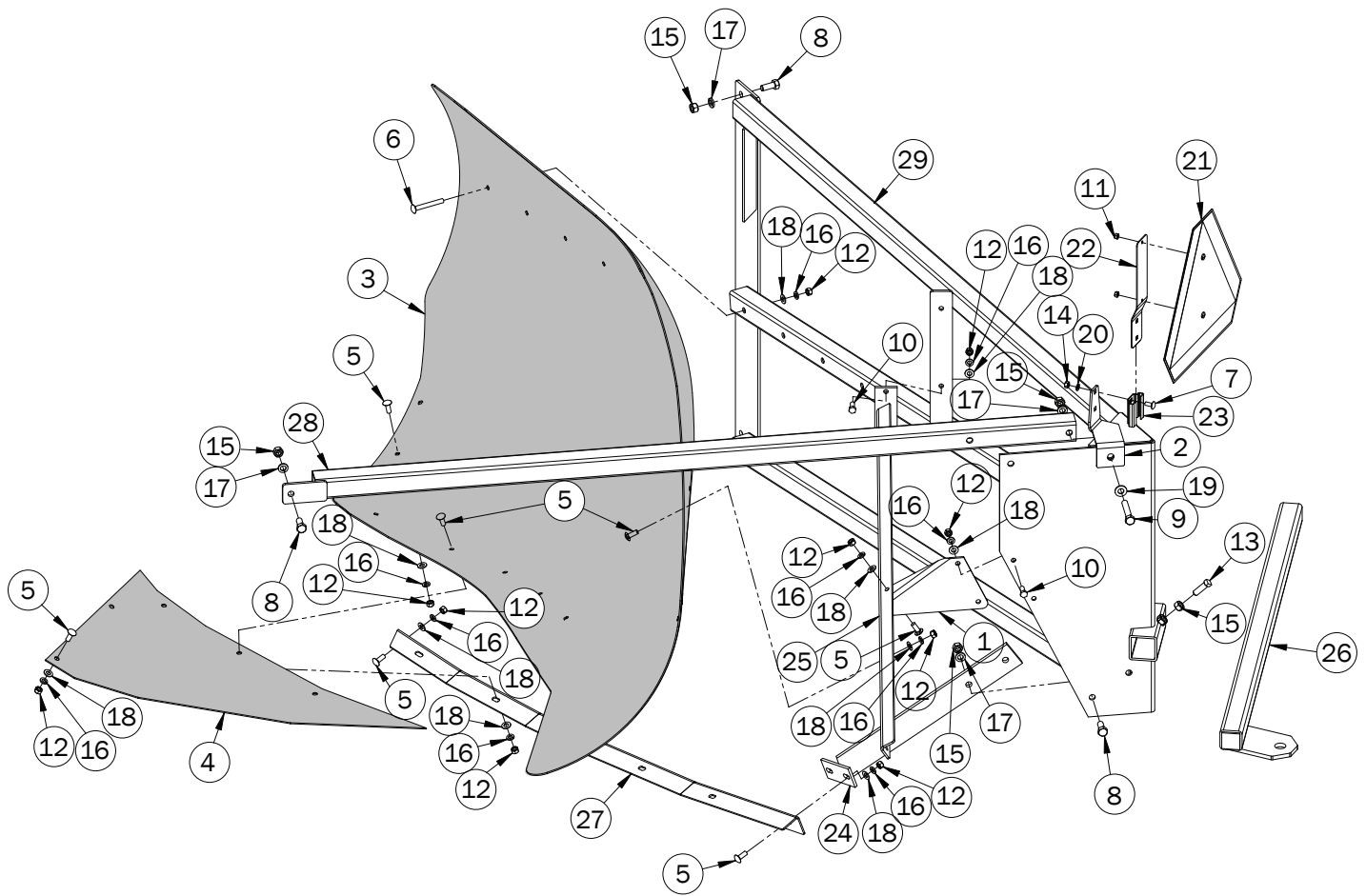
Lift - Hydraulic



Lift - Hydraulic

Item No.	Stock No.	Description	Qty.
1	802821	Plate, Glider	1
2	802822	Washer, Lift Arm, 2"	1
3	802823	Bushing, Lift Bracket	2
4	802824	Bushing, Lift Arm	1
5	802831	Washer, Shim	1
6	802479	Hydraulic Hose, 198"	2
7	808883	Restrictor, Hydraulic, 3/8"	1
8	802480	Elbow, Hydraulic	2
9	802516	Cylinder, Hydraulic, 2" Bore x 4" Stroke	1
10	804103	Pin, Hitch, R, 5/32" x 2-15-16"	4
11	809100	Pin, Clevis, 1" x 2.75"	2
12	800205	5/16" x 1-1/2" Bolt, Standard	1
13	800165	1/2" x 1-1/2" Bolt, Standard	1
14	800167	1/2" x 1-3/4" Bolt, Standard	1
15	800190	3/4" x 2" Bolt, Standard	1
16	800192	3/4" x 3" Bolt, Standard	1
17	803829	Hydraulic Hose Clamp	1
18	804196	1/2" Nut, Standard	2
19	802827	Arm, Cylinder Mount, Vertical	1
20	802829	Lift Arm, Horizontal	1
21	802833	Bracket, Hydraulic Line	1
22	807524	1/2" SAE Washer, Flat	1
23	807528	5/16" Washer, Lock	1
24	804367	1/2" Washer, Lock	2
25	804369	3/4" Washer, Lock	2

Moldboard



Moldboard

Item No.	Stock No.	Description	Qty.
1	802722	Bracket	1
2	808871	Bracket, SMV Emblem	1
3	807609	Moldboard	1
4	814128	Insert, Triangular, Moldboard	1
5	800057	3/8" x 1" Bolt, Carr.	19
6	800060	3/8" x 3" Bolt, Carr.	4
7	800062	5/16" x 3/4" Bolt, Carr.	2
8	800166	1/2" x 1-1/4" Bolt, Standard	6
9	800172	1/2" x 3" Bolt, Standard	2
10	800195	3/8" x 1" Bolt, Standard	3
11	800233	1/4" Nut, Standard	2
12	800236	3/8" Nut, Standard	26
13	800258	1/2" x 1-1/2" Setscrew, Sq Hd	1
14	804194	5/16" Nut, Standard	2
15	804196	1/2" Nut, Standard	9
16	804366	3/8" Washer, Lock	26
17	804367	1/2" Washer, Lock	8
18	807523	3/8" SAE Washer, Flat	26
19	807524	1/2" SAE Washer, Flat	1
20	807528	5/16" Washer, Lock	2
21	807712	SMV Emblem Triangle	1
22	807713	SMV Emblem Bracket, 2" x 11"	1
23	807919	SMV Emblem Bracket, 2" x 2.5"	1
24	802717	Bracket, Support, Moldboard	1
25	802719	Angle, Top, Moldboard	1
26	802723	Hitch, Rear, Moldboard	1
27	802726	Support, Belly	1
28	802814	Tube, Top Cross, Moldboard	1
29	808591	Main Frame, Moldboard	1

Decals

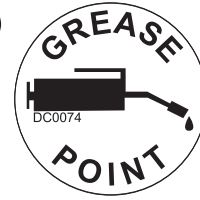
①

Matador 7900

②



③



④

WINDROW INVERTER

⑤

AgLand

⑥

! DANGER!

MOVING PARTS HAZARD

To prevent serious injury or death from moving parts:

- KEEP AWAY, Moving Parts can crush and dismember.
- Do not operate without guards and shields in place.
- Close and secure guards and shields before starting.
- Keep hands, feet, hair, and clothing away from moving parts.
- Disconnect and lockout power source before adjusting or servicing.
- Do not stand or climb on machine when operating.

DC0063

⑦

! WARNING!

HIGH PRESSURE FLUID HAZARD

To prevent serious injury or death:

- Relieve pressure on system before repairing, adjusting or disconnecting.
- Wear proper hand and eye protection when searching for leaks. Use wood or cardboard instead of hands.
- Keep all components in good repair.

DC0068

⑧

! DANGER!

KEEP SHIELDS AND GUARDS IN PLACE

DC0064

LIMITED WARRANTY

AGLAND INDUSTRIES WARRANTY

AgLand Industries (hereinafter called "AgLand"), as the Manufacturer, warrants to the original owner of the AgLand Matador (hereinafter called the "Matador") the following:

A one (1) year* warranty that the purchased Matador will be free of defects in material or workmanship and workmanship on all parts manufactured by AgLand, including AgLand manufactured owner-serviceable parts (provided such parts are serviced in accordance with the Operator's Manual), from the date of delivery to the original retail purchaser under normal farm use and service, excluding normal wear items such as (but not limited to) belts, pickup tines, tires, and exterior finish.

*Three (3) months after delivery when purchased by a commercial operator.

The sole obligation of the Manufacturer is limited to repairing or replacing, as the Manufacturer may elect, any part or parts that prove, in the Manufacturer's judgement, to be defective in material or workmanship.

Warranty service may only be performed by an authorized AgLand Dealer or an authorized AgLand Service Centre or as determined by AgLand.

Defective parts must be returned to the Manufacturer or the AgLand Dealer who sold the Matador at the expense of the retail purchaser and are to be inspected by the Manufacturer prior to any warranty work being approved. The AgLand Dealer will forward, at the retail purchaser's expense, any defective parts to AgLand with a written request of warranty work required.

Note: All parts NOT manufactured by AgLand carry their own manufacturer's warranty. The customer is responsible for all costs necessary to replace those parts unless covered by the applicable manufacturer.

The above warranty is based on the following factors:

AgLand reserves the right to repair or replace, at its discretion, any defective part in whole or in part.

All instructions in the AgLand Matador Operator's Manual must be followed.

The Warranty Registration must be forwarded to AgLand within thirty (30) days of the date of delivery of the Matador to the Retail Purchaser to validate the warranty.

All warranties are subject to legislation of the state or province in which the Matador is sold.

AgLand will not be responsible or liable for any of the following:

a) The return of any part or parts, or the Matador as a whole, to the selling AgLand Dealer or to the Manufacturer, neither AgLand or its authorized AgLand Dealer are responsible for the cost of shipping, transport, or freight, labour, or any cost other than the replacement part itself, if that is what AgLand determines; b) The care, maintenance and safe operation of the Matador is the responsibility of the owner of the Matador; c) Any accidents, injury, damage or loss incurred due to use by any operator of the Matador; d) Any accidents, injury, damage or loss incurred due to faulty use, repair, operation or maintenance of the Matador; e) Any cost incurred for replacing or repairing of parts not manufactured by AgLand which carry their own manufacturer's warranty; f) Any out-of-pocket expenses or loss of revenue as a result of any defect in material or workmanship of any part or parts, or the Matador as a whole; g) Damages, malfunctions or failures resulting from the use of any attachment not authorized by AgLand; h) Any accidents, injury, damages, or loss incurred due to any safety shields, lights, reflectors, decals, emblems, etc., being removed or covered; i) Any accidents, injury,

damage or loss due to the improper, or lack of, use of the safety tow chain or transport lock pin during transport; j) Any accidents, injury, damage or loss due to the lack of safety precautions when performing routine maintenance; k) Damages, malfunctions or failures caused by force majeure, abuse, accident, fire, or acts of God; l) All customers outside of North America are responsible for compliance with local laws, codes and regulations regarding operating requirements and certification, as well as all costs associated with such requirements and certification.

Any available warranty will be void if: a) Annual maintenance procedures are not followed as per the Operator's Manual; b) Any altering or modification is performed on the Matador which is not approved by the Manufacturer; c) Any additional equipment is installed on the Matador which has not been approved by the Manufacturer; d) Any instruction given in the Operator's Manual which has not been followed including during set up or assembly of attachments, or regular maintenance; or e) Any claim made under this warranty by, or for, a person other than the original owner.

There are no other warranties, expressed or implied, by AgLand or its Authorized AgLand Matador Dealers regarding the AgLand Matador except the warranty expressed herein. ANY IMPLIED WARRANTIES, INCLUDING MERCHANTABILITY, OR FITNESS FOR A PARTICULAR PURPOSE, SHALL NOT EXTEND BEYOND THE APPLICABLE WARRANTY PERIODS SPECIFIED ABOVE. AGLAND'S SOLE LIABILITY, WITH RESPECT TO ANY DEFECT, SHALL BE AS SET FORTH IN THIS LIMITED WARRANTY, AND ANY CLAIMS FOR INCIDENTAL OR CONSEQUENTIAL DAMAGES ARE EXCLUDED.

No person is authorized to bind AgLand to any other warranty whatsoever.

AgLand reserves the right at any time to make changes or improvements to the design, materials, or specifications of the Matador or parts without thereby becoming liable to make similar changes to the Matador or any of its parts previously manufactured.

Manufactured by:
AgLand Industries

