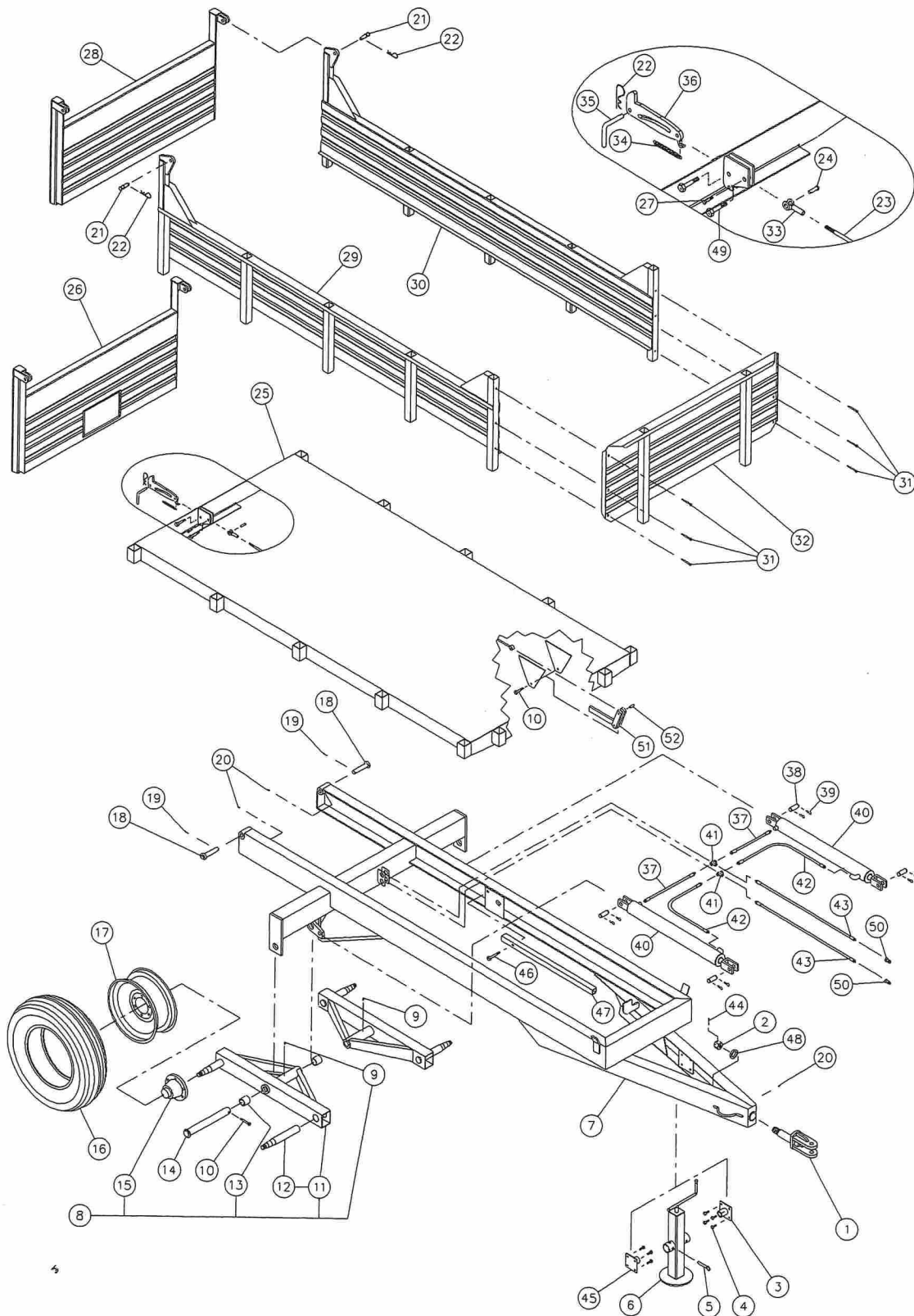


DUMP TRAILERS P-516

170-01769



8

DUMP TRAILERS P-516 (cont'd)

REF.	PART #	DESCRIPTION	QTY
1	110-06901	Swivel hitch	1
2	357-57000	Castle nut 1 1/2" NC	1
3	110-00051	Jack fixation plate (left side)	1
4	300-38280	Bolt 7/16" NC x 1 1/4" lg + nylon locknut	8
5	51493	Pin for jack	1
6	190-05972	Jack P-575	1
7	120-02241	Frame	1
8	110-11404	Tandem assembly	2
9	Std.	Grease fitting 1/4"-28 90°	2
10	300-40400	Bolt 1/2" NC x 3" lg + nut & lock washer	3
11	110-11402	Tandem frame	2
12	150-02272	Spindle 2 1/4" ø (welded) 15" lg	4
13	160-01091	Brass bushing 1 3/4" i.d. x 2" o.d. x 2" lg	4
14	110-00011	Tandem clevis pin	2
15	51441	Hub # H-5000 complete (see details page 16)	4
16	PN-11L15	Tire 11L15 - 8 ply with tube	4
16	PN-12.5L15	Tire 12.5L15 - 10 ply with tube (4)	opt.
17	R-1586	Rim 15" x 8" - 6 holes	4
17	R-15106	Rim 15" x 10" - 6 holes (4)	opt.
18	110-08971	Clevis pin 1" ø	2
19	Std.	Cotter pin 1/4" x 2" lg	2
20	Std.	Grease fitting 1/4"-28 straight	3
21	150-02831	Hinge pin for rear panel	2
22	Std.	Hitch pin clip 1/8"	3
23	110-21932	Rod 1/2" for rear panel lock	1
24	51436	Clevis pin 1/2" x 1 37/64"	1
25	120-02274	Platform	1
26	110-02742	Rear panel with grain door (24" height)	opt.
27	300-34340	Bolt 5/16" NC x 2" lg + nylon locknut	1
28	110-02782	Standard rear panel	1
29	110-02722	Right panel (16" height)	1
30	110-02732	Left panel (16" height)	1
31	300-36400	Bolt 3/8" NC x 3" lg + nylon locknut & flat washer	6
32	110-12221	Front panel	1
33	51435	Clevis 1/2" -20 NF + nut	1
34	190-08211	Extension spring 7/8" o.d. x 6 1/8" lg	1
35	150-02861	Pin for rear locking mechanism	1
36	130-16212	Rear panel lock	1
37	190-03241	Hose 3/8" x 16" lg + 2 fittings 6U-106	2
38	51421	Clevis pin 1" ø	4
39	51472	Hitch pin clip (CP132H)	8
40	30BC28	Cylinder 3" ø x 28" run (see details page 16)	2
41	5856-6	"T" 3/8" swivel	2
42	190-03261	Hose 3/8" x 41" lg + 2 fittings 6U-106	2
43	190-03251	Hose 3/8" x 161" lg + 1 fitting 6U-106 & 1 fitting 6U-108	2
44	Std.	Cotter pin 1/4" x 3"	1
45	110-00061	Jack fixation plate (right side)	1
46	300-44400	Bolt 5/8" NC x 3" lg + nylon locknut	1
47	160-05961	Safety prop	1
48	130-20401	Ring 1 5/8" i.d. x 2 3/8" o.d.	1
49	300-40340	Bolt 1/2" NC x 2" lg + nylon locknut	2
50	Std.	Quick coupler 1/2" male	2
51	110-14271	Lever for automatic locking mechanism	1
52	150-02761	Pin 1/2" dia. x 1 1/2" lg	1