

Operation of water valve

The valve is designed to give an ample supply of water for most plant spacings. Should more water be desired, merely move the indicator to a higher number. Moving the indicator to a lower number will decrease the amount of water used. A setting of '1' will shut the valve off. The manual shutoff lever will shutoff the flow of water when the unit is stopped in a position where the water trip is engaged.

Removal of parts

The valve is designed so all parts can be removed without taking it off the unit frame. The upper air valve (10092) and ball float (10096) can be replaced by removing the valve top. The valve top can be removed by turning the air vent cap (10151) counterclockwise until loose. Do not remove the cap from the brass vent seat (10048). When the vent cap is loose, the entire upper mechanism can be lifted off.

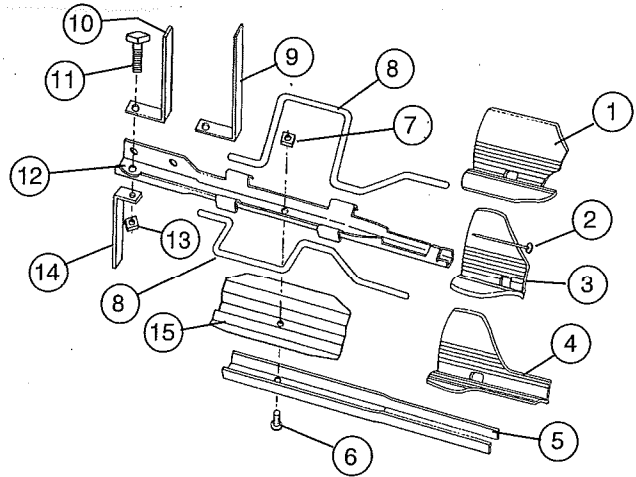
To remove the lower valve (10094), you must first remove the water reservoir spout (10086). Loosen the lock nut on the bottom of the valve and remove the water trip control rod. The valve can then be removed through the top of the reservoir. When reinstalling the lower valve, it is important that the plastic sleeve is in place and the lock nut tightened only enough to prevent it from coming off. If the lock nut is too tight, the lower valve will not seat properly and the valve will leak water.

Maintenance

Grease the water trip rocker assembly before each use. All water trip linkage should move easily. Make sure all hose clamps are tight to prevent leakage.

After planting, remove the top of the valve and flush with water to clean. This is especially true when using fertilizer or chemicals in your water.

Plant Holders



Ref #	Part #	Description
1	10020	Gripper, strawberry
2	10056	Nail, rubber gripper holding
3	10055	Gripper, standard rubber
4	10021	Gripper, small cell plants
5	10023	Fork, plant holder extension
6	1780003	Screw, 10-24 mach slot
7	1480008	Nut, 10-24 sq hd
8	10057	Rod, rubber gripper closing (pair)
9	10027	Spacer, plant holder (for 8 holder chain)
10	10026	Spacer, plant holder (for 10 & 12 holder chain)
11	1280038	Bolt, 5/16 x 3/4 sq hd
12	10058	Frame, plant holder
13	1480002	Nut, 5/16 hex
14	10025	Spacer, plant holder (for 6 holder chain)
15	10059	Cap, plant holder frame
	10007	Guide, bulb holder front (for chain units)(not shwn)
	10008	Guide, bulb holder front (for disc units)(not shwn)
	10037	Rod, rubber gripper closing (for 10020 gripper) (pair, not shown).

Part # 10054 Plant Holder

Standard holder, for most bare rooted seedlings such as tomatoes, peppers, cabbage, tobacco and all plants with a holdable top foliage and a normal root section.

Part # 10031 Plant Holder

For use with small cell tray or potted plants with a root section up to 1" dia. Rubber tail extension supports the root.

Part # 10030 Plant Holder

Designed for strawberries and other plants with large root section but small crown or top foliage.

Part # 10032 Plant Holder

For use with larger potted plants with a root section up to 1-1/2" dia. Rubber gripper holds top of plant; dual fork supports the root.

Part # 10033 Bulb Holder

For planting bulbs, potatoes, etc. up to 1-1/2" diameter. Must be used with a front guide attachment (not shown).

