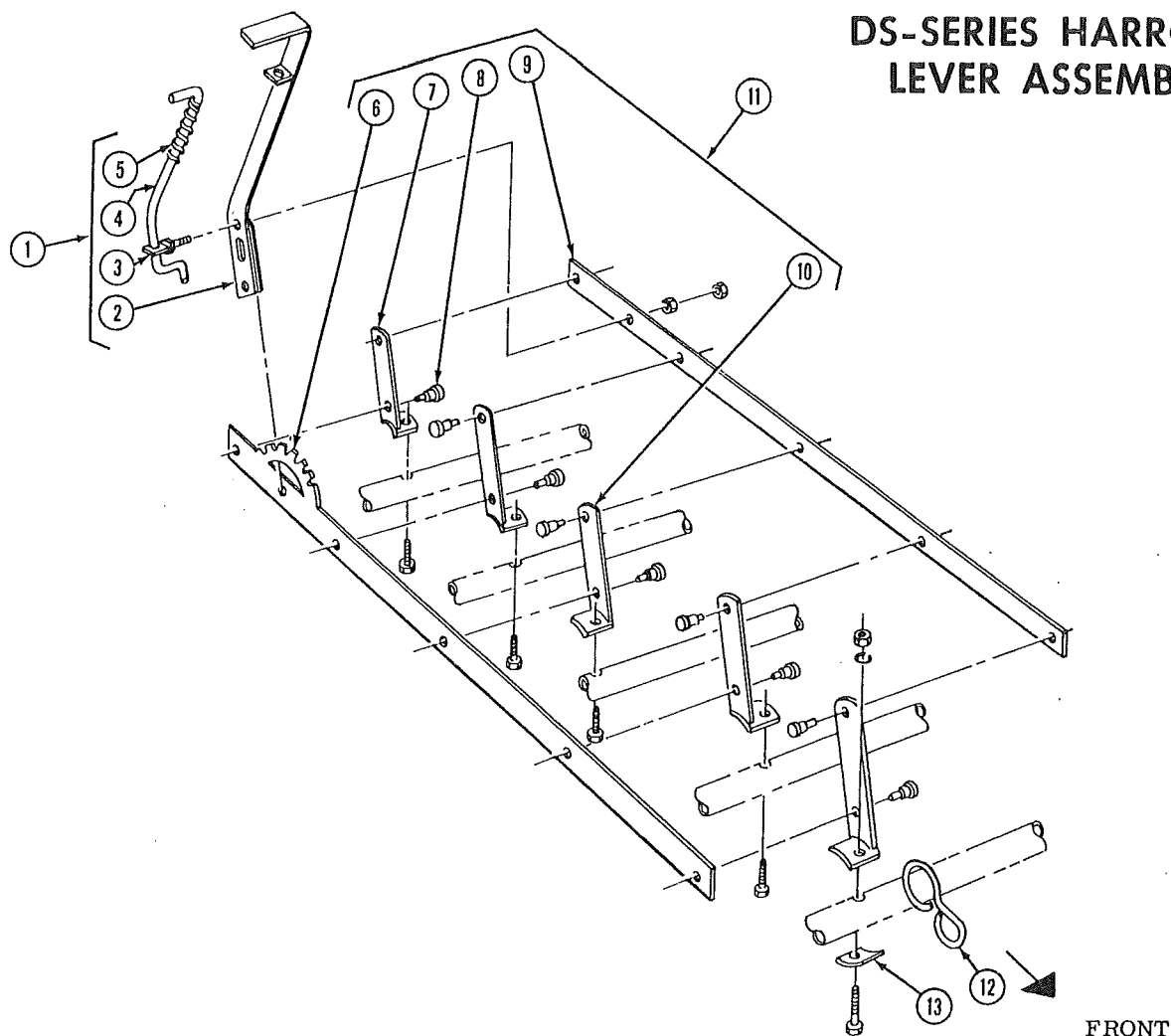


DS-SERIES HARROWS LEVER ASSEMBLY



REPAIR PARTS

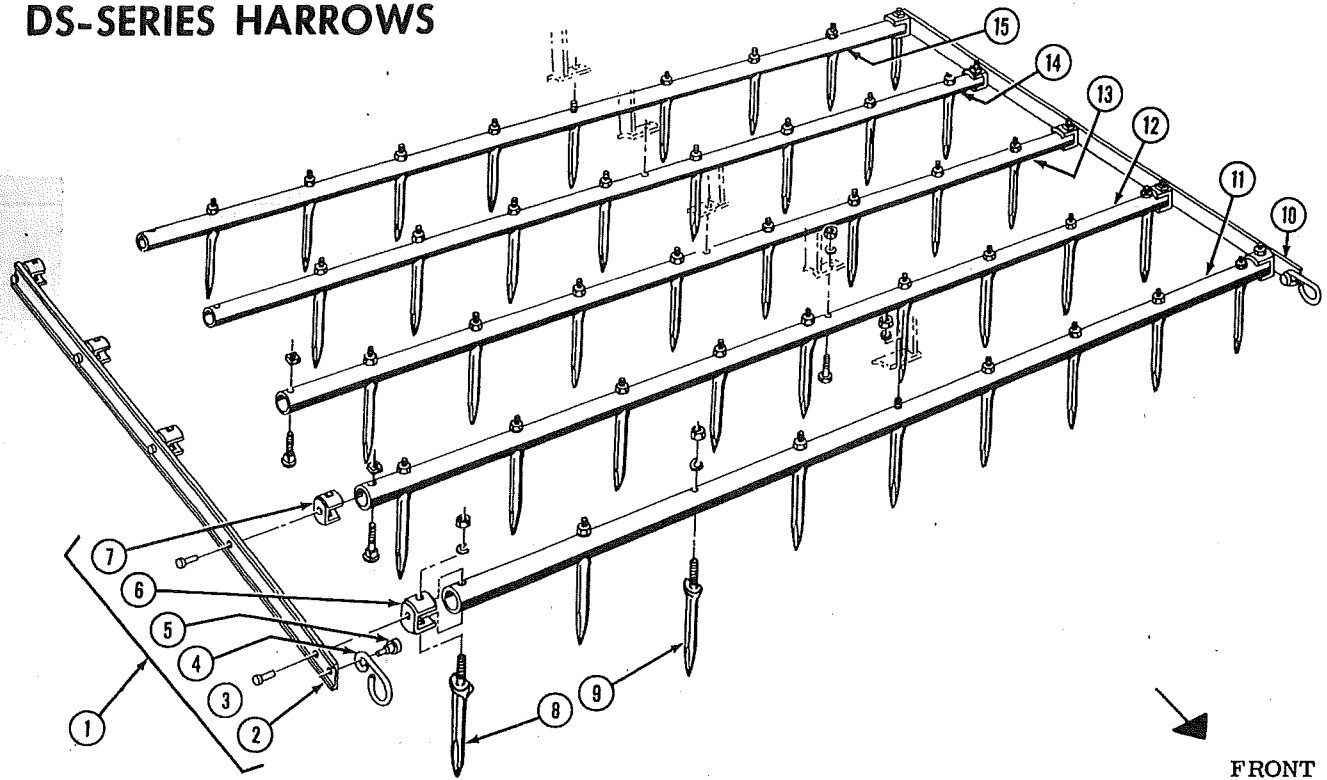
Item	Description	Model and Part Number				
		DS-40-A	DS-43	DS-47	DS-51	DS-55
1	Lever assembly, complete	DS-6	DS-6	DS-6	DS-6	DS-6
2	Lever	P-45	P-45	P-45	P-45	P-45
3	Bolt, plunger rod to lever	P-37	P-37	P-37	P-37	P-37
4	Plunger, lever	DS-41	DS-41	DS-41	DS-41	DS-41
5	Coil spring, lever	P-44	P-44	P-44	P-44	P-44
6	Tilting bar, bottom, w/quadrant	DW-12	DW-12	DW-12	DW-12	DW-12
7	Standard, left	DS-24	DS-24	DS-24	DS-24	DS-24
8	Rivet, shouldered, short	P-46	P-46	P-46	P-46	P-46
9	Tilting bar, top	W-14	W-14	W-14	W-14	W-14
10	Standard, right	DS-25	DS-25	DS-25	DS-25	DS-25
11	Tilting bar and lever assembly	DS-52-A	DS-52	DS-52	DS-52	DS-52
12	Draw hook, center					P-33-7
13	Bottom clamp, standard				R-77	R-77

ASSEMBLY INSTRUCTIONS

Control lever and tilting bars are assembled at the factory. Position the lever assembly on the harrow with the lever to the rear. Bolt the standards to the pipe bars, as shown in the illustration. Use bottom clips (13) on the all bars of the two larger models, and make sure the center draw hook (12) on the Model DS-55 is centered. **MAKE SURE ALL CAP SCREWS, LOCK WASHERS AND NUTS ARE TIGHT!**

PEPIN HARROW

DS-SERIES HARROWS



REPAIR PARTS

Item	Description	Model and Part Number				
		DS-40-A	DS-43	DS-47	DS-51	DS-55
1	Side channel assembly, complete, left hand	S-58-AA	S-59-A	SS-59A	SA-59A	SA-61
2	Side channel	P-18	P-18	P-18	P-18	P-18
3	Rivet, flat head	P-48	P-48	P-48	P-48	P-48
4	Draw hook	P-33	P-33	P-33	P-33	P-33
5	Rivet, shoulder, long	P-42	P-42	P-42	P-42	P-42
6	End clip, w/round hole	S-49	S-49	S-49	S-49	S-49
7	End clip, w/square hole	SS-49	SS-49	SS-49	SS-49	SS-49
8	Tooth, shoulder, 2-3/4" shank	4-1/2	4-1/2	4-1/2	4-1/2	4-1/2
9	Tooth, shoulder, 2-1/4" shank	4	4	4	4	4
10	Side channel assembly, complete, right hand	S-58-A	S-59	SS-59	SA-59	SA-60
11	Pipe bar, front, drilled, painted, less teeth	B-1-C	B-1	B-1-A	SS-1A	SS-1C
12	Pipe bar, second, drilled, painted, less teeth	B-2-C	B-2	B-2-A	SS-2A	SS-2C
13	Pipe bar, center, drilled, painted, less teeth	B-3-C	B-3	B-3-A	SS-3A	SS-3C
14	Pipe bar, fourth, drilled, painted, less teeth	B-4-C	B-4	B-4-A	SS-4-A	SS-4-C
15	Pipe bar, rear, drilled, painted, less teeth	B-5-C	B-5	B-5-A	SS-5A	SS-5C

ASSEMBLY INSTRUCTIONS

Open the bundle and set up the harrow with draw hooks down, as shown in the illustration.