



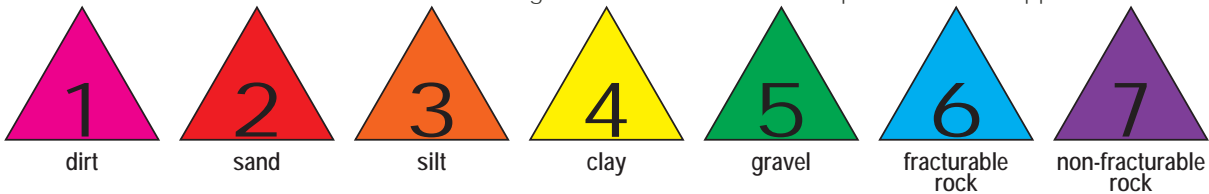
WEAR PARTS

Pilot Bits, Teeth, Holders and Installation/Removal Tools
for PENGU AUGERS, CORE BARRELS, and DRILL BUCKETS



PENGO AUGER SOIL CHART

Pengo has developed the chart below to help you decide which replacement part will be best suited for your project. The above triangles and color guide will be included with all products where applicable.



1	dirt; peat, organic silts, very loose sand, very soft, swamp, marsh	soil abrasion: low
2	sand; loose, fine sand; loess and medium clay, flood plain soils, lake clay	soil abrasion: medium
3	silt; coarse sand to stiff clay, dense hydraulic fill, compacted fill, residual soils	soil abrasion: high
4	clay; stiff to very stiff clay, glacial till, hard-pan, marls	soil abrasion: low to medium
5	gravel; basalt, very hard silts and clay, weathered laminated rock	soil abrasion: high
6	fracturable rock; caliche, coarse gravel and cobbles; frozen soil	soil abrasion: high
7	non-fracturable rock; granite, basalt, massive limestone	soil abrasion: high

PENGO PARTS - TABLE OF CONTENTS

PILOT BITS

DIRT	3-9
ROCK	10-13
TRIDENT™	14

PILOT BIT DRIVE LUGS and ADAPTERS

DRIVE LUGS.....	15
ADAPTERS	16
BOX THREADS	16

AUGER TEETH

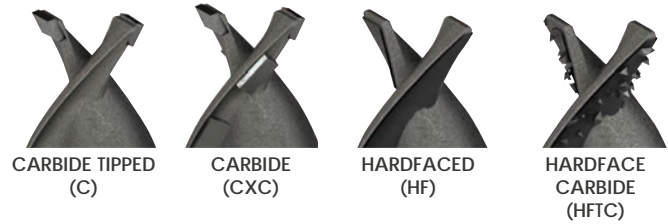
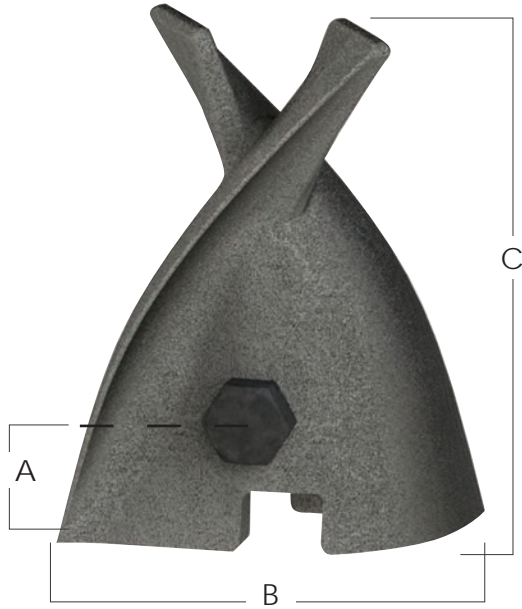
40/50 AGGRESSOR	17
FAS-N-LOK DIRT	18-22
TAPER FIT DIRT	23-24
DRAG-STYLE.....	25
FAS-N-LOCK HOLDERS.....	26
TAPER FIT HOLDERS	26
DRAG-STYLE HOLDERS.....	26
TRIDENT HOLDERS and TEETH.....	27-29
CONICAL TEETH	30-35
CONICAL HOLDERS	36-37
CONICAL PULLERS	38
BUCKET TEETH	39



PILOT BITS DIRT

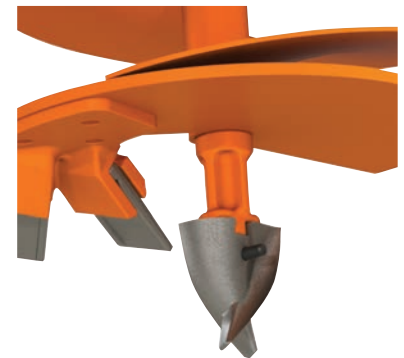


PILOT BIT | Screw Bits



Fish-tail Pilot Bit Assembly
Includes G5 5/16 Hex Bolt & Nut
Use 140 S or 140-CS Pilot Adapter

ITEM	A	B	C	LBS	PN	WHERE USED	SOIL
SB-25		2.5"		.6	131740	CS Augers	1 2 3
SB-25C		2.5"		.6	132135		4 5
SB-25CXC		2.5"		.9	132758		2 4 5
SB-25HF		2.5"		1.5	132266		2 3 4
SB-25HFTC		2.5"		1.5	132590		2 4 5
SB-30		3"		1.4	131766	CS Augers	1 2 3
SB-30CXC		3"		1.5	131765		2 4 5
SB-30HF		3"		1.6	132359		2 3 4
SB-30HFTC		3"		1.6	133250		2 4 5
SB-35	1.25"	3.5"	4.13"	1.2	133402	CS Augers	1 2 3
SB-35C	1.25"	3.5"	4.13"	1.2	133403		4 5
SB-35HF	1.25"	3.5"	4.13"	2.1	133405		2 3 4
SB-35HFTC	1.25"	3.5"	4.13"	2.8	133406		2 4 5
SB-45		4.5"		3.0	133407	CS Augers	1 2 3
SB-45C		4.5"		3.1	133408		4 5
SB-45HF		4.5"		3.2	133410		2 3 4
SB-45HFTC		4.5"		3.2	133411		2 4 5

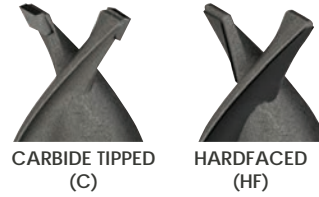
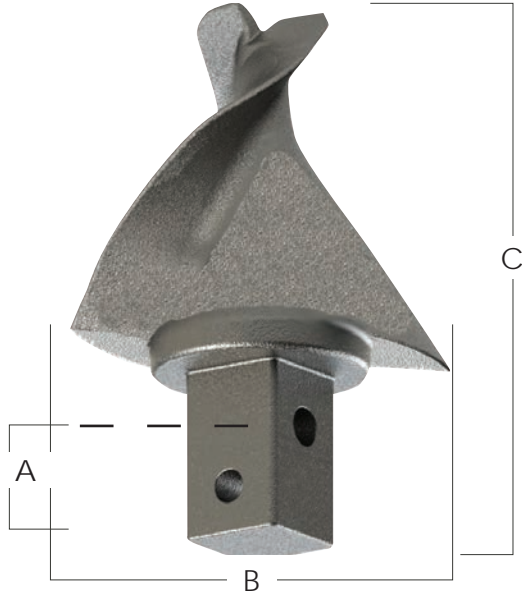


IMAGES NOT TO SCALE

PILOT BITS DIRT



PILOT BIT | SB-35SQ Screw Bits



Fish-tail Pilot Bit Assembly
Includes G5 5/16 Hex Bolt & Nut
Uses _ Adapter

ITEM	A	B	C	LBS	PN	WHERE USED	SOIL
SB-35SQ	1.25"	3.69"	6.75"	3.2	136809	CS Augers	1, 2, 3
SB-35SQC	1.5"	3.69"	6.75"	4.0	136813		4, 5
SB-35SQHF	1.5"	3.69"	6.75"	4.0	136816		2, 3, 4
SB-35SQHFTC	1.5"	3.69"	6.75"	4.0	136814		2, 4, 5

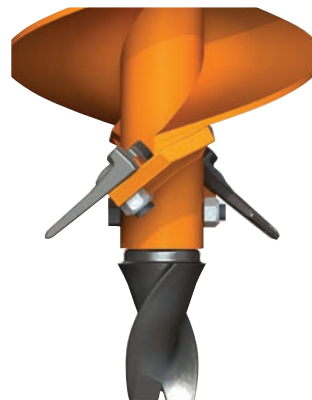
PILOT BITS | Screw Bits

SB-35 175 PILOT BIT

Dirt Pilot
Fish-tail pilot
Includes G5 5/16 Hex Bolt & Nut
Uses 1.75 Adapter

1, 2, 3
SB-35 175
LBS 3.9
PN 151318
AG Aggressor

1.75 SQ Adapter
LBS 4.23
PN 151593



IMAGES NOT TO SCALE

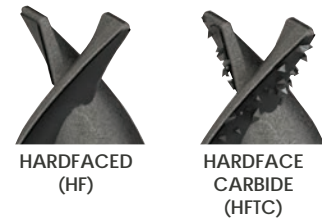
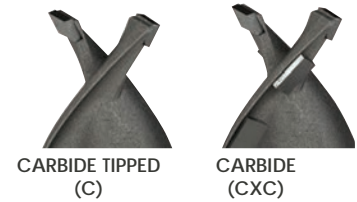
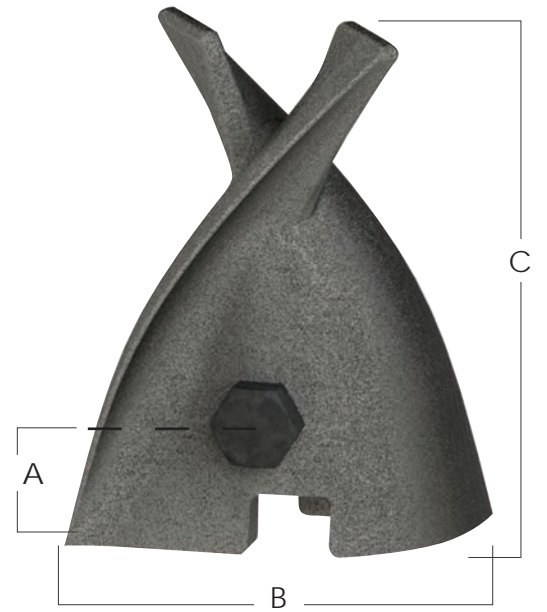
PILOT BITS DIRT



PILOT BIT | Screw Bits

SB-50 thru SB-100 SCREW BITS

ITEM	A	B	C	LBS	PN	WHERE USED	SOIL
SB-50		5"	X"	3.4	131728	Utility Augers	1 2 3
SB-50C				3.4	131751		4 5
SB-50HF				3.6	132937		2 3 4
SB-50HFTC				3.1	132624		2 4 5
SB-60		6.25"	4.625"	4.4	132029	Utility Augers	1 2 3
SB-60C		6.25"	4.625"	4.6	132803		4 5
SB-60CXC		6.25"	4.625"	4.6	133252		2 4 5
SB-60HF		6.25"	4.625"	4.6	133251		2 3 4
SB-60HFTC		6.25"	4.625"	5.5	133254		2 4 5
SB-70				4.5	132185	Utility Augers	1 2 3
SB-70C				4.8	132368		4 5
SB-70HF				4.6	133256		2 3 4
SB-80				5.5	132198	Utility Augers	1 2 3
SB-80C				5.7	132638		4 5
SB-80CXC				6	133258		2 4 5
SB-80HFTC				6	133259		2 4 5
SB-90				5.8	132552	Utility Augers	1 2 3
SB-90CXC				5.8	133261		2 4 5
SB-90HF				5.8	132898		2 3 4
SB-90HFTC				5.8	133271		2 4 5
SB-100				6.3	132363	Utility Augers	1 2 3
SB-100C				6.4	132903		4 5



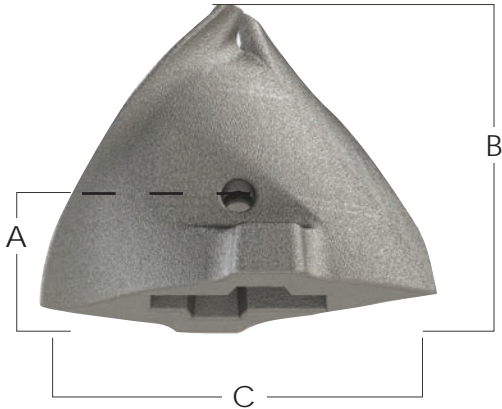
Fish-tail Pilot Bit Assembly
Includes G5 5/16 Hex Bolt & Nut
Uses 141L or PA-183L Pilot Adapter

PILOT BITS DIRT



PILOT BIT | Fish Tail Pilot Bits

FH-205 SCREW BIT



Fish-tail pilot
Includes G5 3/8-16 Hex Bolt & Nut
Use PA-183 Adapter

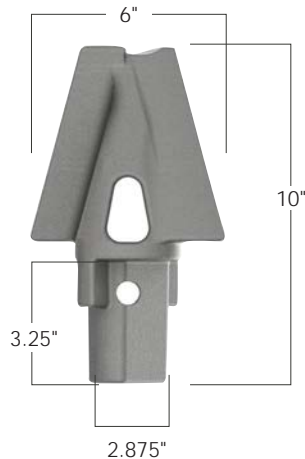
ITEM	A	B	C	LBS	PN	WHERE USED	SOIL
FH-205	1.3"	4.25"	4.88"	2.68	157382	Utility Augers	1 2 3
FH-205C	1.3"	4.25"	4.88"	2.8	132260		4 5
FH-205CXC	1.3"	4.25"	4.88"	2.8	132825		2 3 4
FH-205HF	1.3"	4.25"	4.88"	2.8	131725		2 3 4
FH-205HFTC	1.3"	4.25"	4.88"	2.8	133264		2 3 4

PILOT BIT | Two-Fluted Pilot Bits

FH-105 PILOT BIT

Dirt Pilot
Fish-tail pilot with stem
Includes G5 3/8-16 Hex Bolt & Nut

1 2 3
FH-105
LBS 9
PN 131729
Utility Augers



SD-60-175 PILOT BIT

2-Fluted Pilot Bit
Includes G5 5/16 Hex Bolt & Nut
Uses 1.75 Adapter

1 2 3
SD-60 175
LBS 15
PN 135983
Foundation Augers



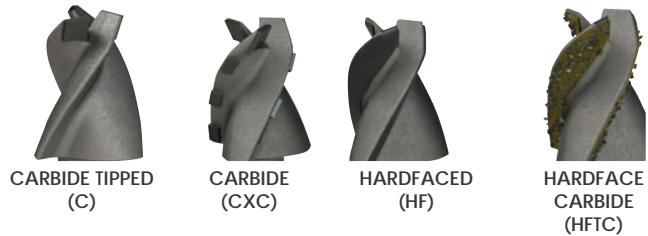
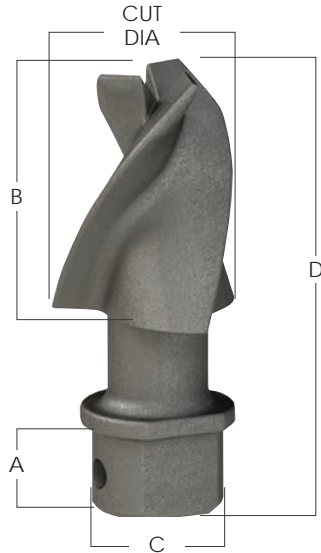
IMAGES NOT TO SCALE

PILOT BITS DIRT



PILOT BIT | TriFlow® Pilot Bits

TF-350 PILOT BIT



Three-Fluted Pilot
 *Not sold as an assembly, nuts and bolts sold separately.

Don't Forget the Nuts & Bolts!



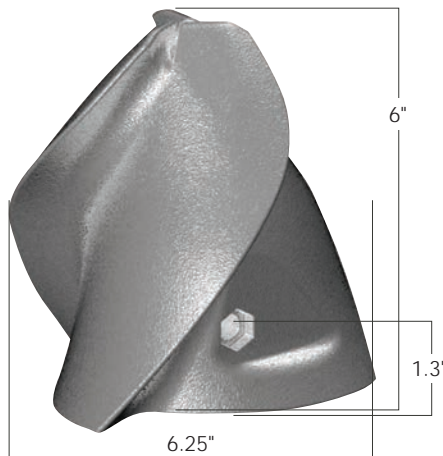
3.5" Hex Bolt (6"-9" dia.)
 PN 174447
 4" Hex Bolt (12" plus dia.)
 PN 174448
 Hex Nut Lock
 PN 134527

ITEM	A	B	C	D	CUT	LBS	PN	WHERE USED	SOIL
TF-350	1.5"	4.25"	2.69"	7.75"	3.63"	5	135088	PTO, Landscape, and Standard Aggressor® Augers plus TriMax® Augers	
TF-350C	1.5"	4.25"	2.69"	7.75"	3.63"	5.5	135090		
TF-350CXC	1.5"	4.25"	2.69"	7.75"	3.63"	5.8	135091		
TF-35HF	1.5"	4.25"	2.69"	7.75"	3.63"	5.5	135089		
TF-350HFTC	1.5"	4.25"	2.69"	7.75"	3.63"	5.8	135092		

TF-600 PILOT BIT

Three-fluted pilot bit
 Exclusive design provides longer life
 Uses 141-L Drive Lug

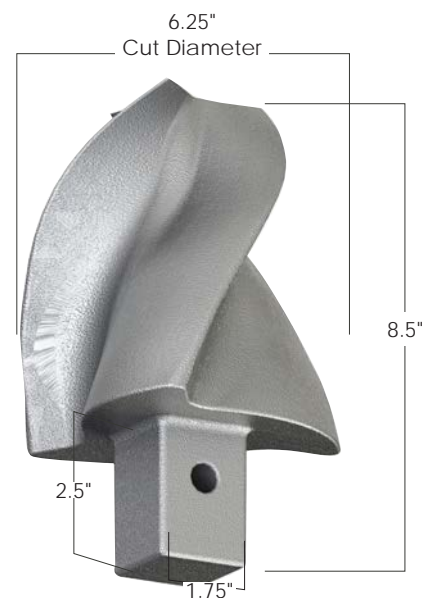
TF-600
LBS 8.5
PN 137357
Utility and Pressure Digger Augers



TF-600 PILOT BIT

Three-fluted pilot bit with 1 3/4" Square Stem
 Exclusive design provides longer life
 Uses 1.75 SQ Pilot Bit Adapter

TF-600 SQ
LBS 16
PN 137331
Utility and Pressure Digger Augers



TF-600 with a PA-182 Adapter included | PN 137333
 For 42" and 48" Dia. Utility Augers | PN 131792

IMAGES NOT TO SCALE

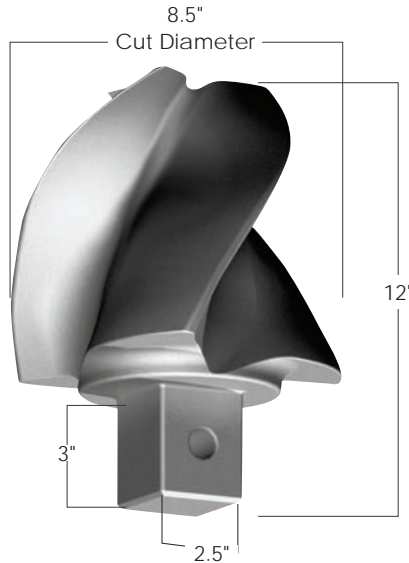
PILOT BITS DIRT



PILOT BIT | TriFlow® Pilot Bits

TF-1000 PILOT BIT

Three-fluted pilot bit
 Exclusive design provides longer life
 Uses 2.5 SQ Pilot Bit Adapter
 Includes G5 3/4-10 Hex Bolt & Nut



TF-1000
LBS 43
PN 137348
Foundation Augers

TF-1000 HFTC PILOT BIT

Three-fluted pilot bit
 Exclusive design provides longer life
 Uses 2.5 SQ Pilot Bit Adapter
 Includes G5 3/4-10 Hex Bolt & Nut



TF-1000 HFTC
LBS 45
PN 137339
Foundation Augers



TF-600 PILOT BIT

Three-fluted pilot bit
 Exclusive design provides longer life
 2 3/8" API



TF-600 API
LBS 42
PN 401202
Foundation Augers

TF-1000 API PILOT BIT

Three-fluted pilot bit
 Exclusive design provides longer life
 2 3/8" API



TF-1000 API
LBS 42
PN 137377
Foundation Augers

IMAGES NOT TO SCALE

PILOT BITS DIRT

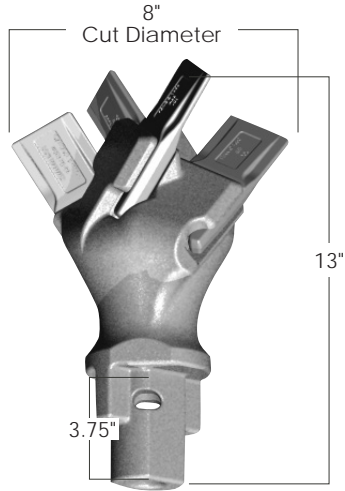


PILOT BIT | Pilot Bits with Fas-N-Lok® Teeth

P-1650 PILOT BIT

Dirt Pilot
Includes G5 1/2-14
Hex Bolt & Nut
Includes 2 - 1851 and
2 -1652 Gage
Fas-N-Lok® Teeth

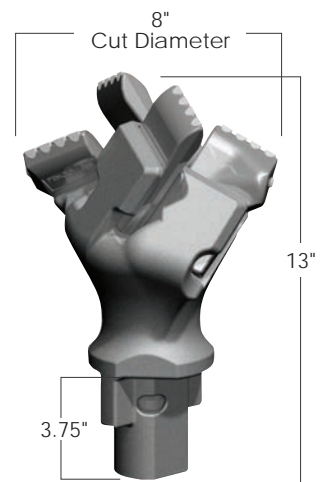
P-1650
LBS 22
PN 131726
Utility Augers



P-1656 PILOT BIT

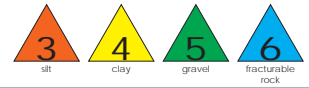
Carbide Pilot
Includes G5 1/2-14
Hex Bolt & Nut
Includes 2 - 1851 and
2 -1652 Gage
Fas-N-Lok® Teeth

P-1656
LBS 24
PN 131727
Utility Augers



IMAGES NOT TO SCALE

PILOT BITS STEP ROCK



PILOT BIT | TCH or Tungsten Carbide Head

Tungsten Carbide Head
Includes G5 3/8 -16 X2
3/4" Hex Bolt & Nut
Uses 141-M Pilot Bit
Adapter



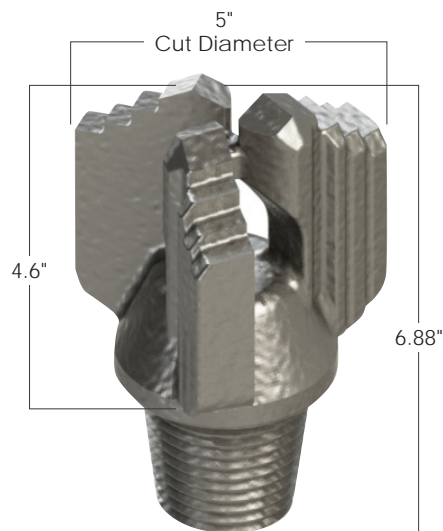
ITEM	A	B	C	LBS	PN	WHERE USED	SOIL
5.0-TCH-171				6	199220	Utility Rock	
5.5-TCH-171				6.1	199223	Utility Rock	
8.5-TCH-171				9.75	133269	Utility Rock	
9.5-TCH-171				11	133270	Utility Rock	

PILOT BIT | Step Rock Pilot

P-6000 PILOT BIT

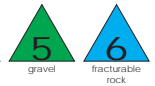
2 3/8" API Pilot Bit
4 Step Pilot
Includes G5 3/8 -16 X2
3/4" Hex Bolt & Nut
2 3/8" Box Thread
Adapter

9.5-TCH-171
LBS 8
PN 151275
Utility Step Rock Augers



IMAGES NOT TO SCALE

PILOT BITS ROCK



PILOT BIT | Rock Ripper®



RR-1.75 SQ PILOT BIT

1 3/4" Square Stem
Includes 4 - Strata® SR76SW Conical Teeth
Includes G5 1/2 -13 Hex Bolt & Nut
Uses 1.75 Pilot Bit Adapter



RR-1.75SQ
LBS 15
PN 137208
Severe Rock Ripper® and Utility Rock Ripper® Augers

RRP-1.75 SQ Cast Pilot Bit Assembly | PN 137204

RRP-API PILOT BIT

2 3/8" API Screw In Pilot
Cast Pilot Bit
Includes 4 - Strata® SR76SW Conical Teeth

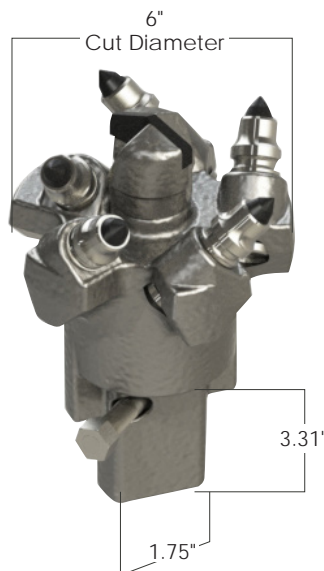


RRP-API
LBS 17
PN 157406
Severe Rock Ripper® and Utility Rock Ripper® Augers

PILOT BIT | Rock Pilot

RCP-6.5 PILOT BIT

1 3/4" Square Stem
Includes 5 - SL-02 Teeth
Center Point 18
Includes G5 1/2 -13 Hex Bolt & Nut
Uses 1.75 Pilot Bit Adapter

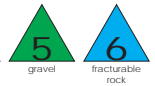


RCP-6.5
LBS 18
PN 132116
Utility Augers

RCP-6.5 available with Center Point 16
Contact Sales for details.

IMAGES NOT TO SCALE

PILOT BITS ROCK



PILOT BIT | Rock

C31HD-8.5 PILOT BIT

2 1/2" Square Stem

Includes 4 - Strata® SR100 Conical Teeth

Includes G5 3/4 -10 Pin & Washer

Uses S-250 Pilot Bit Adapter



C31HD-8.5
LBS 30
PN 135913
Foundation Augers

C31HD-8.5 PILOT BIT

2 1/2" Square Stem

Includes 4 - Strata® SR100 Conical Teeth

Includes G5 3/4 -10 Hex Nut & Bolt

Uses S-250 Pilot Bit Adapter



C31HD-8.5
LBS 32
PN 135939
Foundation Augers

C31HD-8.5 HFCH PILOT BIT

2 1/2" Square Stem

Includes 4 - Strata® SR100 Conical Teeth

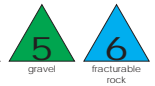
Includes Pin & Washer



C31HD-8.5 HFCH
LBS 32
PN 135912
Foundation Augers

IMAGES NOT TO SCALE

PILOT BITS ROCK



PILOT BIT | Rock

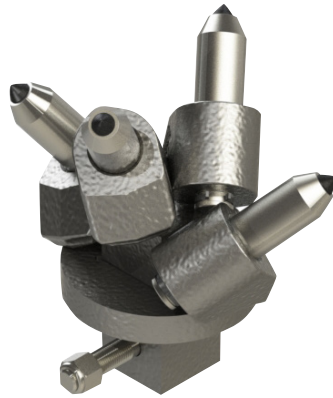
SR-104HF PILOT BIT

2 1/2" Square Stem

Includes 4 - Strata® SR104 Conical Teeth

Includes G5 3/4 -10 Hex Bolt & Nut

Uses S-250 Pilot Bit Adapter



SR-104HF
LBS 30
PN 135971
Foundation Augers

Same as C4-1 Pilot Bit Assembly

C4-1 A2 3/8 API Available | PN 135911

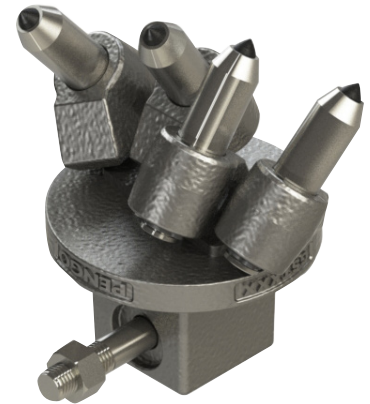
S4-1 HD PILOT BIT

4" Square Stem

Includes 4 - Strata® SR104 Conical Teeth

Includes G 1-8 x 9 1/2 Hex Bolt & Nut

Uses S-400 Pilot Bit Adapter



S4-1HD
LBS 37
PN 1001277
Foundation Augers

B47-10 PILOT BIT

4" Square Stem

Includes 4 - Strata® SR122 Conical Teeth

Includes G 1-8 x 9 1/2 Hex Bolt & Nut

Uses S-400 Pilot Bit Adapter



B47-10
LBS 72
PN 135965
Foundation Augers



IMAGES NOT TO SCALE

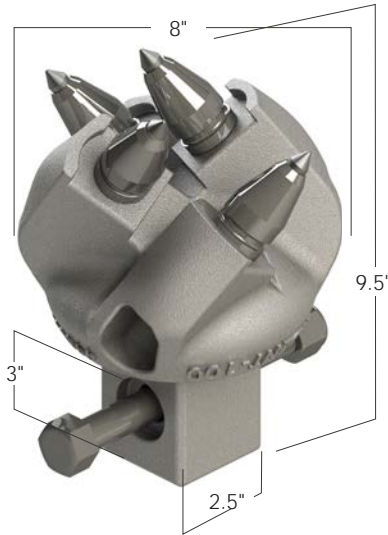
PILOT BITS ROCK




PILOT BIT | TRIDENT Series

TRIDENT SR-100 PILOT BIT

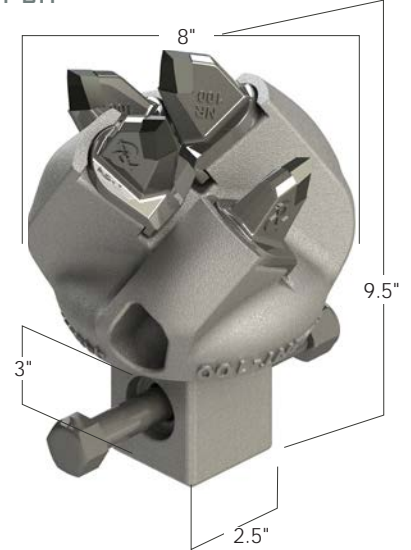
2 1/2" Square Stem
 Includes 4 - Strata® SR100 Conical Teeth
 Includes G5 3/4 -10 Hex Bolt & Nut
 Uses S-250 Pilot Bit Adapter





TRIDENT SR-100 PILOT
LBS 30
PN 990127
Utility, Foundation and ACIP Augers

TRIDENT NR-100 PILOT BIT

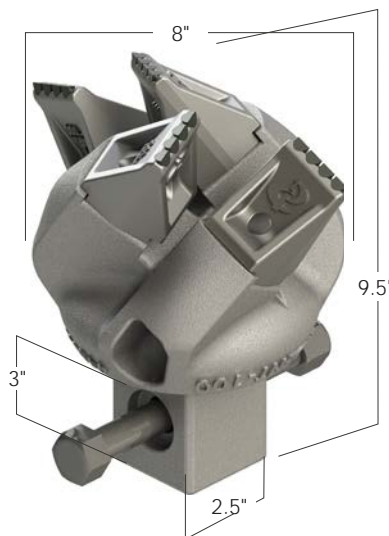
2 1/2" Square Stem
 Includes 4 - Triden NR100 Radial Teeth
 Includes G5 3/4 -10 Hex Bolt & Nut
 Uses S-250 Pilot Bit Adapter





TRIDENT NR-100 PILOT
LBS 37
PN 990128
Utility, Foundation and ACIP Augers

TRIDENT NRW-100 PILOT BIT

2 1/2" Square Stem
 Includes 4 - Triden NRW100 Non-Rotating Wedge Teeth
 Includes G5 3/4 -10 Hex Bolt & Nut
 Uses S-250 Pilot Bit Adapter




TRIDENT NRW-100 PILOT
LBS 72
PN 990129
Utility, Foundation and ACIP Augers



IMAGES NOT TO SCALE

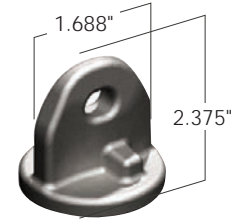
PILOT BIT ADAPTERS

DRIVE LUGS | for Pilot Bits

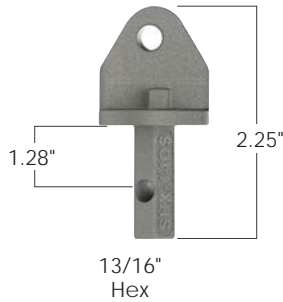
140CS Drive Lug
LBS 1
PN 151930
SB-25, SB-30 Pilot Bits



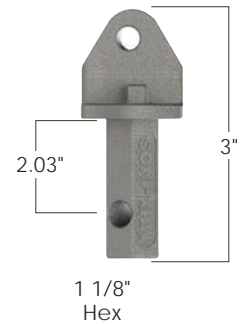
140S Drive Lug
LBS 1
PN 151940
SB-25, SB-30 Pilot Bits



SHX-140-S
LBS 1
PN 151980
SB-25, SB-30 Pilot Bits



MHX-140-S
LBS 1
PN 151990
SB-25, SB-30 Pilot Bits



141-R Drive Lug
LBS .7
PN 151956
SB-35, SB-45, and 375-TCH-171 Pilot Bits



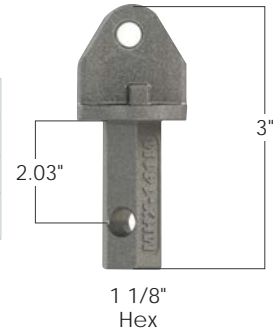
141-L Drive Lug
LBS 1.3
PN 151970
SB-50 and larger Pilot Bits



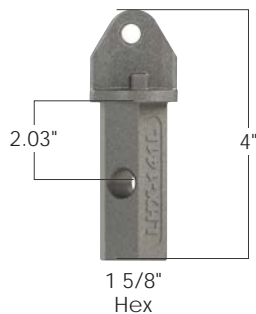
141-MT Drive Lug
LBS 3.9
PN 151960
SB-35, SB-45 Pilot Bits



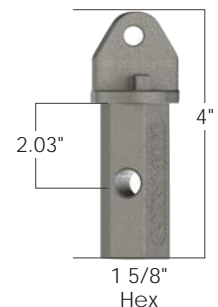
MHX-141-M
LBS 1.5
PN 152000
SB-35, SB-45 Pilot Bits



LHX-141-L
LBS 3.5
PN 152030
SB-50 and larger Pilot Bits



LHX-141-M
LBS 3.5
PN 152020
SB-35, SB-45 Pilot Bits

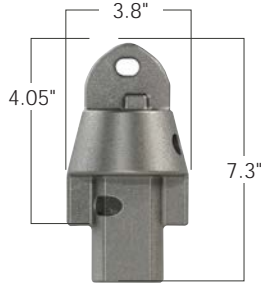


IMAGES NOT TO SCALE

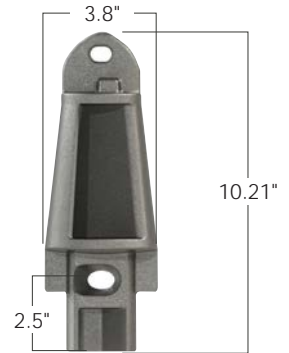
PILOT BIT ADAPTERS

PILOT ADAPTERS | for Pilot Bits

PA-182-L
LBS 4.3
PN 151100
SB-50 and larger, FH-205, TF-600 Pilot



PA-183-L
LBS 8
PN 151110
SB-50 and larger, FH-205, TF-600 Pilot

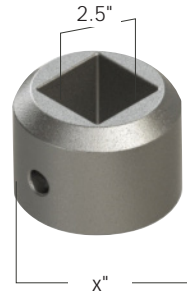


SQUARE ADAPTERS | for Pilot Bit with Stems

1.75 Pilot Adapter
LBS 4.3
PN 151593
SB-35 1.75 SQ



S-250 Pilot Adapter
LBS 18
PN 151598
TF-1000, C31HD, SR-104 and TriDent™ Pilots



S-400 Pilot Adapter
LBS 43
PN 135904
B-47 and S4-1 HD Pilots



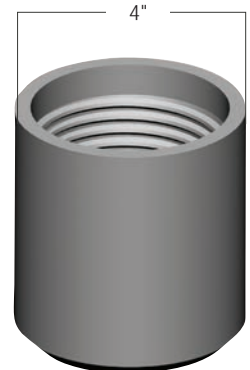
BOX THREADS | for API Pilot Bits

Fits Pilots with 2 3/8" API

3 1/2" OD
LBS 6.1
PN 132191
RRP-API, P-6000, TF-600 and TF-1000 API Pilots



4" OD
LBS 7
PN 151193
RRP-API, P-6000, TF-600 and TF-1000 API Pilots



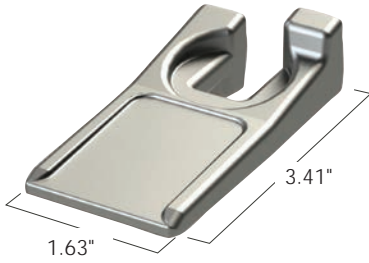
IMAGES NOT TO SCALE

AUGER TEETH DIRT

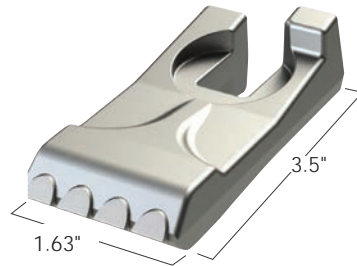


DIRT TEETH | for Aggressor® Augers

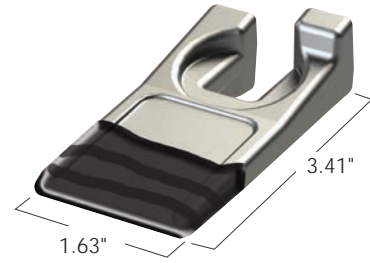
40/50 DIRT TEETH



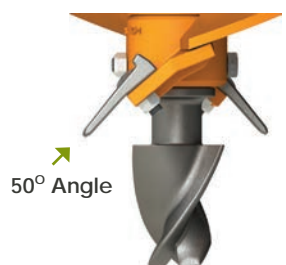
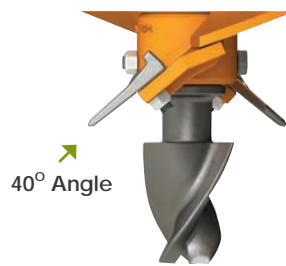
40/50
LBS .5
PN 134501
BKT QTY 100
Aggressor® Augers



40/50C
LBS .6
PN 134519
BKT QTY 25
Aggressor® Augers



40/50HFF
LBS .6
PN 134802
BKT QTY 25
Aggressor® Augers



AGGRESSOR® auger teeth are for use in dirt, abrasive soil or fracturable rock, depending on the type of tooth you are using. All types of the 40/50 tooth can be used at either a 40° or 50° angle providing different attack angles based on your drilling condition.

IMAGES NOT TO SCALE

THE NUTS & BOLTS

The 40/50 Teeth require a special carriage bolt and nut to secure the tooth to the AGGRESSOR® auger. These are not included with the teeth.

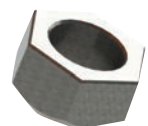
Carriage Bolt

LBS .6
PN 134677



Nut Lock

LBS .6
PN 134527



AUGER TEETH DIRT



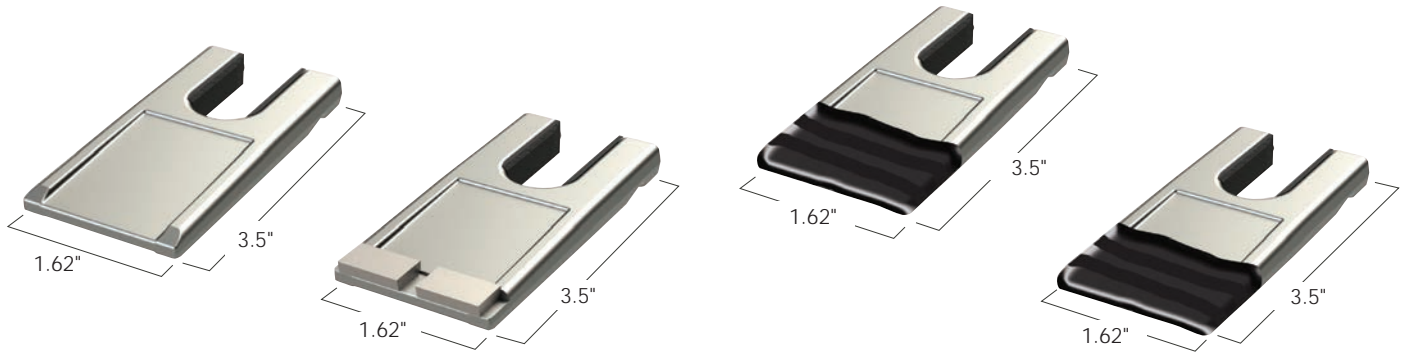
DIRT TEETH | FAS-N-LOK®



35 SERIES FAS-N-LOK® TEETH

Use Holders: T35 and T36

Developed in 2008, the only tooth of it's kind, the Fas-N-Lok® tooth comes complete with vulcanized rubber attached to the tooth, providing quick and easy installation.



35
LBS .4
PN 133835
BKT QTY 100
CS, TriMax® Augers

35C
LBS .4
PN 140007
BKT QTY 50
CS, TriMax® Augers

35HF
LBS .4
PN 140008
BKT QTY 50
CS, TriMax® Augers

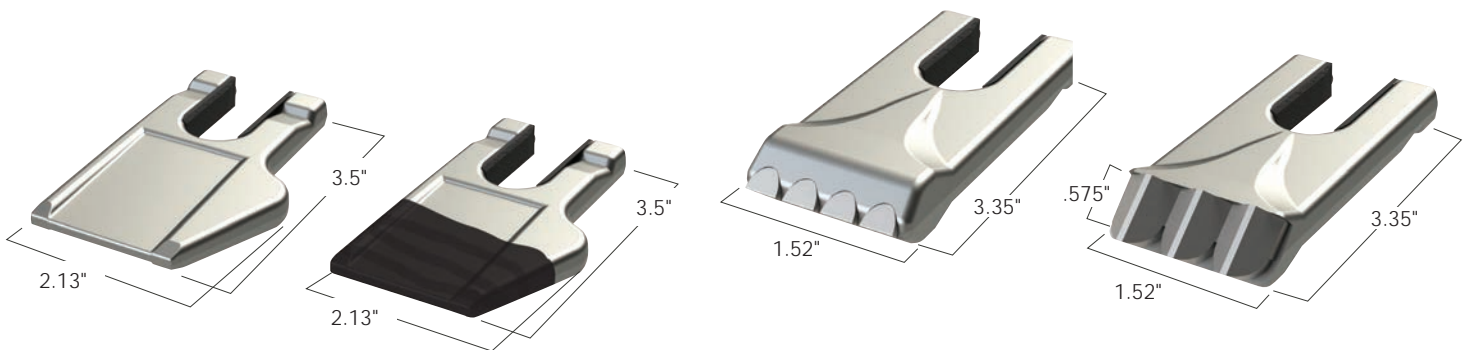
35HFF
LBS .6
PN 140009
BKT QTY 50
CS, TriMax® Augers

37 SERIES FAS-N-LOK® TEETH

Use Holders: T35 and T36

RIDGE BREAKER FAS-N-LOK® TEETH

Use Holders: T35 and T36



37
LBS .5
PN 140027
BKT QTY 50
CS, TriMax® Augers

37HF
LBS .6
PN 140010
BKT QTY 50
CS, TriMax® Augers

1336L
LBS .6
PN 140016
BKT QTY 100
CS, TriMax® Augers

RB-36L
LBS .6
PN 140021
BKT QTY 100
CS, TriMax® Augers

IMAGES NOT TO SCALE

AUGER TEETH DIRT



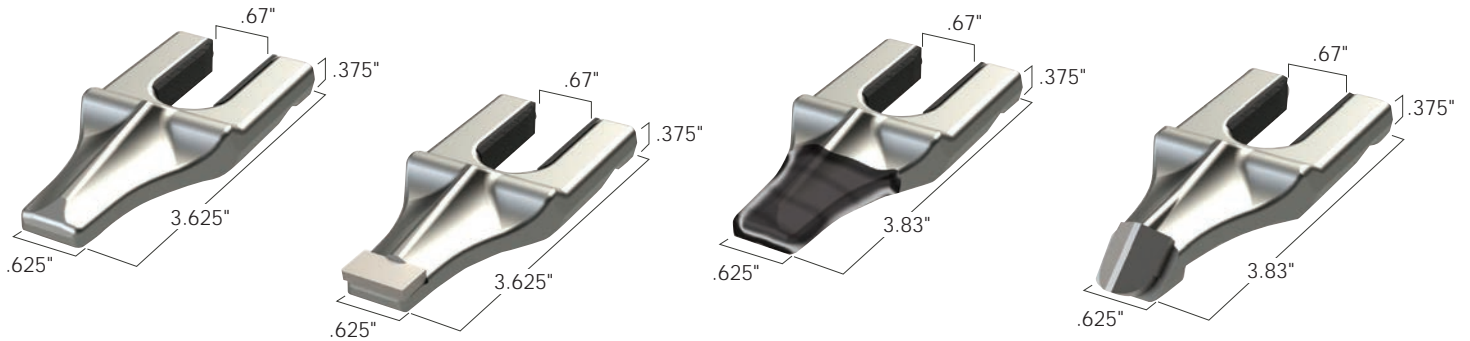
DIRT TEETH | FAS-N-LOK®



5T30 SERIES FAS-N-LOK® TEETH

Use Holders: T35 and T36

Developed in 2008, the only tooth of it's kind, the Fas-N-Lok® tooth comes complete with vulcanized rubber attached to the tooth, providing quick and easy installation.



5T30
LBS .4
PN 140029
BKT QTY 100
CS, TriMax® Augers

5T30C
LBS .4
PN 140012
BKT QTY 50
CS, TriMax® Augers

5T30HF
LBS .4
PN 140014
BKT QTY 50
CS, TriMax® Augers

RB5T30
LBS .6
PN 140013
BKT QTY 100
CS, TriMax® Augers



Pictured Left
TriMax® Auger with
37 Gage and 5T30
Fas-N-Lok® Teeth
drilling in frozen soil.



CHISEL POINT TEETH

Easily penetrates compacted soil, sandstone, hardpan, and caliche. Chisel Point Teeth are to be used in the inside holders of the auger head.

IMAGES NOT TO SCALE

AUGER TEETH DIRT



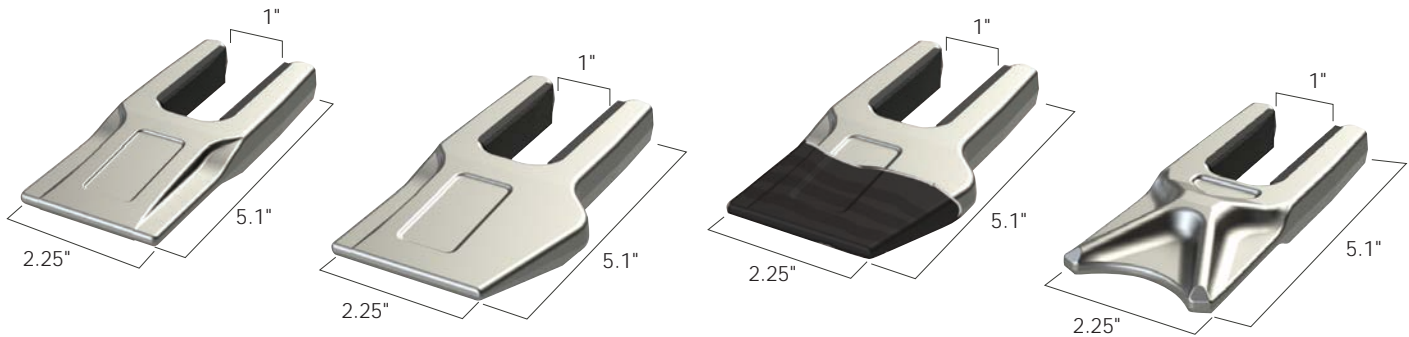
DIRT TEETH | FAS-N-LOK®



1650 SERIES FAS-N-LOK® TEETH

Use Holders: 1XS, BT-100, WT-50

Developed in 2008, the only tooth of it's kind, the Fas-N-Lok® tooth comes complete with vulcanized rubber attached to the tooth, providing quick and easy installation.



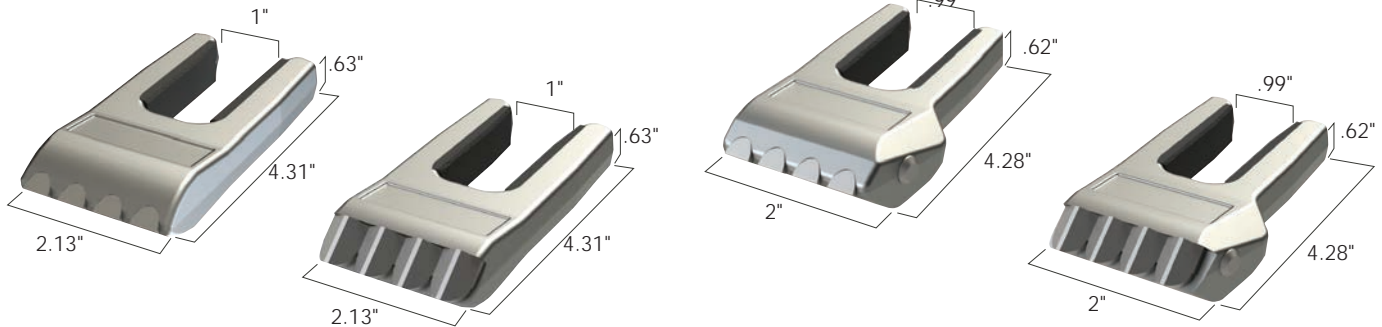
1650
LBS .5
PN 140200
BKT QTY 50
Utility Augers

1652
LBS 1.1
PN 140020
BKT QTY 50
Utility Augers

1652HF
LBS 1
PN 140086
BKT QTY 50
Utility Augers

1851
LBS .5
PN 140017
BKT QTY 50
Utility Augers

50 PC. BUCKET
LBS 25
PN 850219



1656
LBS .6
PN 140005
BKT QTY 25
Utility Augers

RB56
LBS .6
PN 140022
BKT QTY 25
Utility Augers

1658
LBS .6
PN 140006
BKT QTY 25
Utility Augers

RB58
LBS .6
PN 140015
BKT QTY 25
Utility Augers

25 PC. BUCKET
LBS 15
PN 850204

25 PC. BUCKET
LBS 15
PN 850220

25 PC. BUCKET
LBS 15
PN 850205

25 PC. BUCKET
LBS 15
PN 850221

IMAGES NOT TO SCALE

AUGER TEETH DIRT

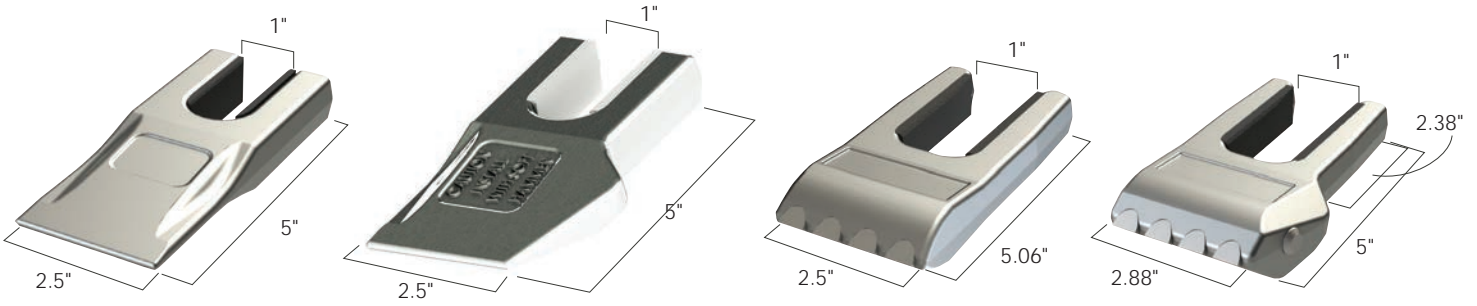


DIRT TEETH | FAS-N-LOK®



2070 SERIES FAS-N-LOK® TEETH

Use Holders: 1ASR, WA70, FA70



2070
LBS 2
PN 140002
BKT QTY 20
Pressure Digger Augers

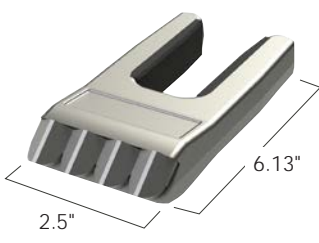
2072
LBS 2.3
PN 140000
BKT QTY 20
Pressure Digger Augers

2077
LBS 2.3
PN 140003
BKT QTY 20
Pressure Digger Augers

2078
LBS 2.4
PN 140004
BKT QTY 20
Pressure Digger Augers

20 PC. BUCKET
LBS 40
PN 850222

20 PC. BUCKET
LBS 46
PN 850223



2079
LBS .6
PN 140001
BKT QTY 20
Pressure Digger Augers

IMAGES NOT TO SCALE

AUGER TEETH DIRT



DIRT TEETH | FAS-N-LOK®



R55 SERIES FAS-N-LOK® TEETH

Use Holders: B-255, C-355, E-555



7R55
LBS 1
PN 140018
BKT QTY 50
Pressure Digger & Foundation Augers

16R55
LBS 1
PN 140019
BKT QTY 50
Pressure Digger & Foundation Augers

16R51
LBS 1.1
PN 140509
BKT QTY 50
Pressure Digger & Foundation Augers



Released in 1984 the 16R51 Bident Tooth was developed with a thin profile for easy penetration and cross-ribbing of points for added strength to break out compacted soils. The "web" of metal between the ribs carries dirt out of the hole. The above teeth are forged of high alloy steel and heat treated for hardness.

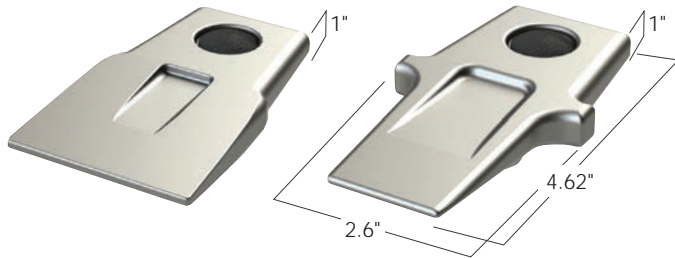
IMAGES NOT TO SCALE

AUGER TEETH TAPER FIT



DIRT TEETH | Taper Fit

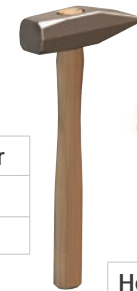
Use Holders: WO-1



60
LBS 1
PN 170006
BKT QTY 50
Foundation Augers

70
LBS 1
PN 170020
BKT QTY 50
Foundation Augers

TOOLS | For Install and Removal



Soft Hammer
LBS 3.5
PN 137737

The Horseshoe Nail is used to secure taper fit teeth in holder.



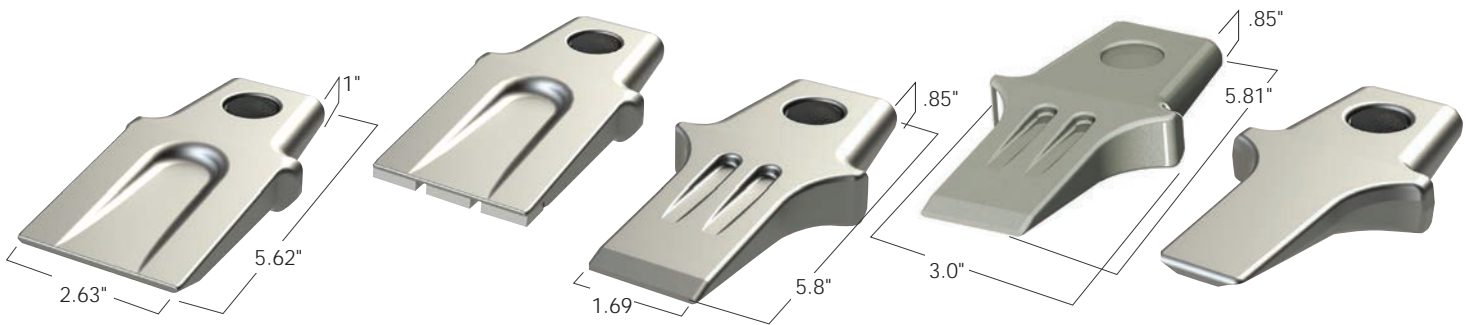
Horseshoe Nail
LBS .4
PN 137620



Drift Punch
LBS 1
PN 137750

DIRT TEETH | Taper Fit

Use Holders: WO-12



80
LBS 2
PN 170008
BKT QTY 25
Foundation Augers

80C
LBS 2
PN 170003
BKT QTY 12
Foundation Augers

90P
LBS 2
PN 134855
BKT QTY 25
Foundation Augers

SZ-90P
LBS 2
PN 134792
BKT QTY 12
Foundation Augers

95P
LBS 2
PN 170015
BKT QTY 25
Foundation Augers

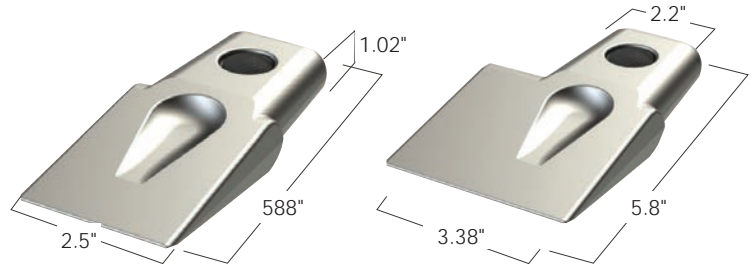
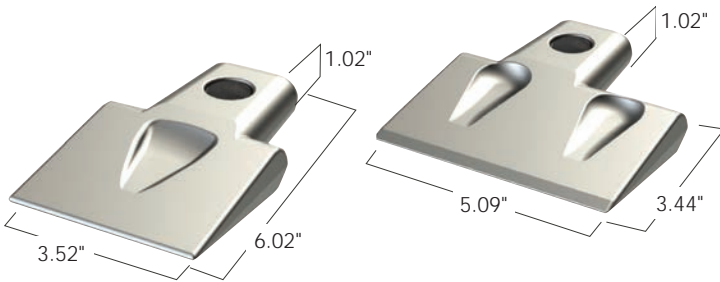
IMAGES NOT TO SCALE

AUGER TEETH TAPER FIT



DIRT TEETH | Taper Fit

Use Holders: WO-5, WO-5HDS, WO-8



132
LBS 2
PN 134406
BKT QTY 20
Foundation Augers

134
LBS 2
PN 134411
BKT QTY 14
Foundation Augers

201
LBS 2.1
PN 170030
BKT QTY 20
Foundation Augers

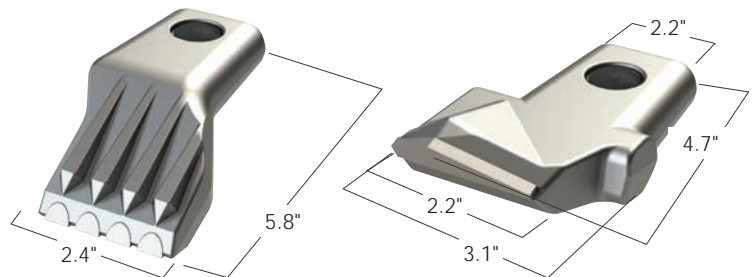
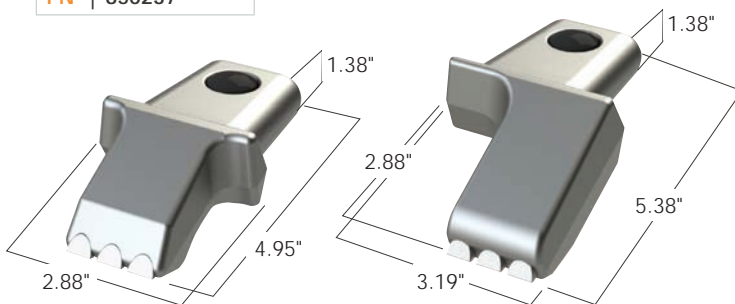
211
LBS 2.9
PN 170034
BKT QTY 20
Foundation Augers

20 PC. BUCKET
LBS 40
PN 850236

20 PC.
LBS 40
PN 850226

900 PC. PALLET
LBS 1800
PN 850237

1040 PC. Pallet
LBS 2184
PN 850230



SZ210
LBS 2.5
PN 170032
BKT QTY 15
Foundation Augers

SZ211
LBS 2
PN 170039
BKT QTY 15
Foundation Augers

299
LBS 2.8
PN 134659
BKT QTY 20
Foundation Augers

PFC-2
LBS 2
PN 140112
BKT QTY 25
Foundation Augers

20 PC. Bucket	900 PC. Pallet
LBS 56	LBS 2520
PN 850228	PN 850231

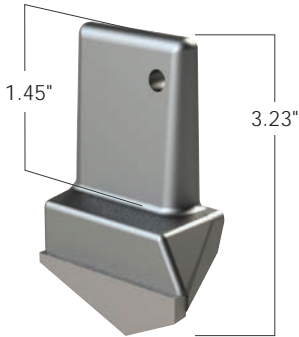
IMAGES NOT TO SCALE

AUGER TEETH DRAG-STYLE



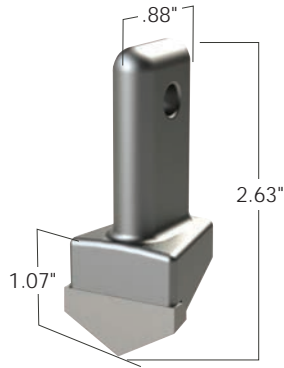
CARBIDE TEETH | Drag-Style Teeth

Use Holders: PFC-5H



PFC5
LBS 1
PN 140115
BKT QTY 50
Utility Step Augers

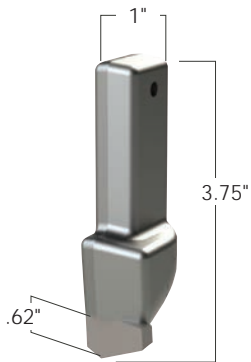
Use Holders: H-10



CB-10
LBS .8
PN 140055
BKT QTY 100
Utility Step Augers



Use Holders: PFC-5H



604C
LBS .55
PN 140065
BKT QTY 50
Utility Step Augers

Use Holders: H-10



CU-7
LBS .55
PN 134084
BKT QTY 100
Utility Step Augers

Use Holders: CJ-2



SJ-2
LBS .69
PN 850028
BKT QTY 50
Utility Step Augers



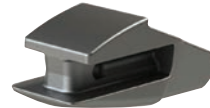
P-10 Roll Pin
LBS .1
PN 137610
Drag Teeth

IMAGES NOT TO SCALE

AUGER TEETH HOLDERS



HOLDERS | For FAS-N-LOK®



T35 Angled
LBS 1
PN 171221
35 Series, 37 Series, 1136L, RB36C, 5T30 Series, RB5T30

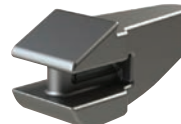
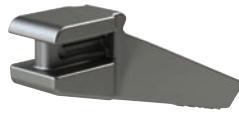
T36 Straight
LBS .5
PN 171231
35 Series, 37 Series, 1136L, RB36C, 5T30 Series, RB5T30

1XS
LBS 1.6
PN 157010
1650, 1652 Series, 1851, 1656, 1658, RB56, RB58

BT-100
LBS .5
PN 157300
1650, 1652 Series, 1851, 1656, 1658, RB56, RB58

WT-50
LBS 2.5
PN 158115
1650, 1652 Series, 1851, 1656, 1658, RB56, RB58

1ASR
LBS 2.4
PN 156980
2070, 2072, 2077, 2078, 2079



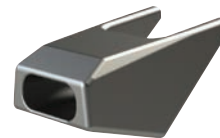
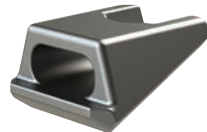
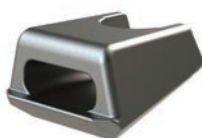
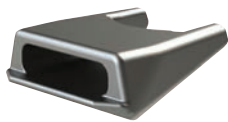
WA-70
LBS 2
PN 158120
2070, 2072, 2077, 2078, 2079

B-255
LBS 2.5
PN 155000
7R55, 7R51, 16R55, 16R51

C-355
LBS 3
PN 155010
7R55, 7R51, 16R55, 16R51

E-555
LBS 2.5
PN 154990
7R55, 7R51, 16R55, 16R51

HOLDERS | For Taper Fit Teeth



WO-1
LBS 1.5
PN 171565
60, 70

WO-12
LBS 2.8
PN 171570
80, 80C, 90, SZ90P, 95P

WO-5
LBS 2.5
PN 171575
132, 134, 201, 211, SZ210, SZ211, 299, PFC-2

WO-5HDS
LBS 3
PN 171574
132, 134, 201, 211, SZ210, SZ211, 299, PFC-2

WO-8
LBS 2.5
PN 171577
132, 134, 201, 211, SZ210, SZ211, 299, PFC-2

HOLDERS | For Drag Style Teeth



H-10
LBS .28
PN 157025
CB-10, CU-7

PFC-5H
LBS 1.5
PN 157027
PFC-5

CJ-2
LBS 1.5
PN 134098
SJ-2

1604
LBS .6
PN 157000
640C

IMAGES NOT TO SCALE

AUGER TEETH TRIDENT™



HOLDER | TRIDENT™ U.S. PATENT NO. D778,967

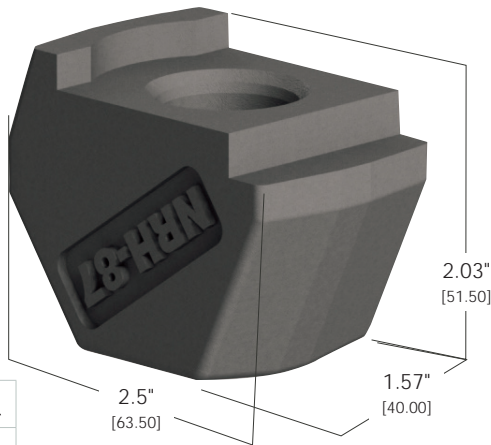
87 SERIES .87" SHANK SIZE



- 1** HOLDER
- 3** TEETH
- 7** DRILLING CONDITIONS

THE MOST VERSATILE TEETH AND HOLDERS ON THE MARKET.

The patented TriDent holders are designed to work with three different types of teeth, the Strata® Conical Tooth, the Non-rotating Radial Tooth and a Non-Rotating Wedge tooth.

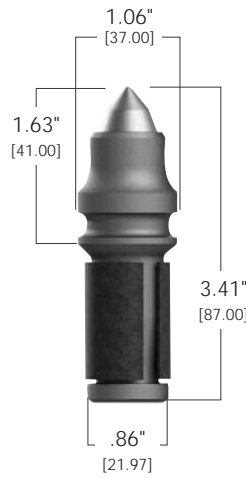


NRH-87
LBS 1.25
PN 990087
Utility and Foundation Augers
25 PC. Bucket
LBS 31.25
PN NA



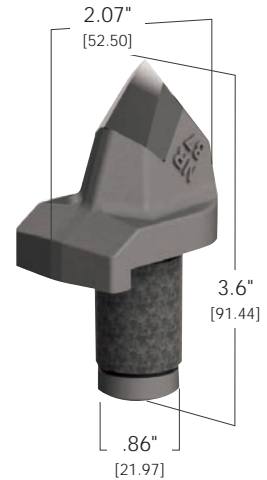
NRW-87
LBS 1.33
PN 990100
Utility and Foundation Augers

30 PC. Bucket	1200 PC. Pallet
LBS 56	LBS 1596
PN 850257	PN 850258



SL-02
LBS .56
PN 850031
Utility and Foundation Augers

65 PC. Bucket	2925 PC. Pallet
LBS 36.4	LBS 1638
PN 850206	PN NA



NR-87
LBS .99
PN 990094
Utility and Foundation Augers

40 PC. Bucket	1280 PC. Pallet
LBS 39.6	LBS 1267
PN 850251	PN 850252

IMAGES NOT TO SCALE

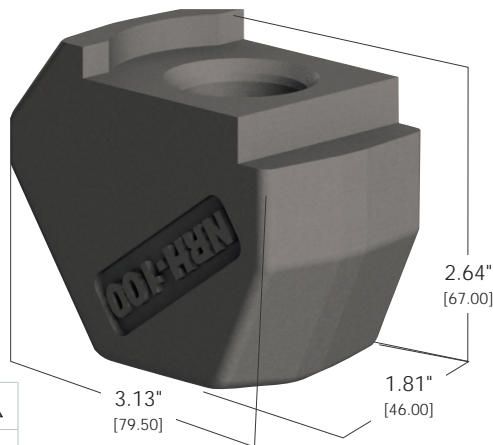
AUGER TEETH TRIDENT™



PATENT PENDING

HOLDER | TRIDENT™ U.S. PATENT NO. D778,967

100 SERIES 1" SHANK SIZE



NRH-100
LBS 2.4
PN 990088
Utility, Foundation and ACIP Augers
15 PC. Bucket
LBS 36
PN NA



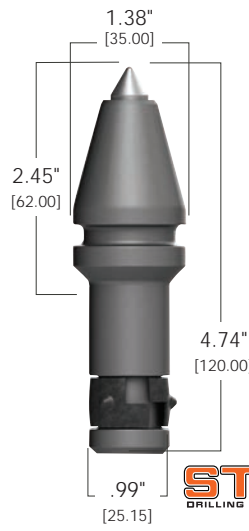
- 1 HOLDER**
- 3 TEETH**
- 7 DRILLING CONDITIONS**

THE MOST VERSATILE TEETH AND HOLDERS ON THE MARKET.

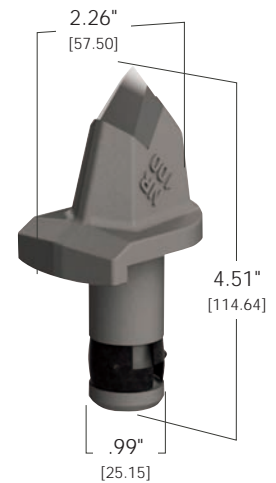
The patented TriDent holders are designed to work with three different types of teeth, the Strata® Conical Tooth, a Non-rotating Radial Tooth and a Non-Rotating Wedge tooth.



NRW-100
LBS 2.06
PN 990098
Utility, Foundation and ACIP Augers



SR-100
LBS 1.1
PN 850023
Utility, Foundation and ACIP Augers



NR-100
LBS .99
PN 990092
Utility, Foundation and ACIP Augers

20 PC. Bucket	800 PC. Pallet
LBS 41.2	LBS 1648
PN 850255	PN 850256

35 PC. Bucket	1575 PC. Pallet
LBS 36.75	LBS 1654
PN 850201	PN 850212

35 PC. Bucket	1120 PC. Pallet
LBS 1.35	LBS 1512
PN 850249	PN 850250

IMAGES NOT TO SCALE

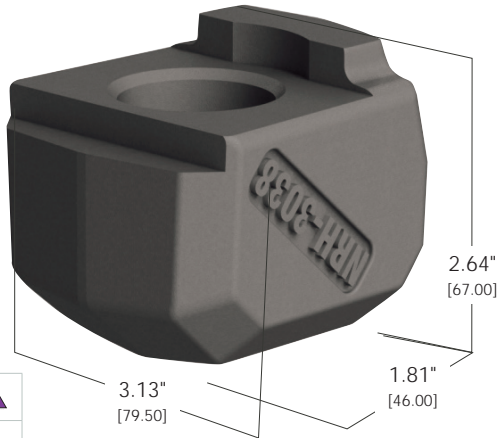
AUGER TEETH TRIDENT™



HOLDER | TRIDENT™

U.S. PATENT NO. D778,967

122 SERIES STEP SHANK SIZE



- 1** HOLDER
- 3** TEETH
- 7** DRILLING CONDITIONS

THE MOST VERSATILE TEETH AND HOLDERS ON THE MARKET.

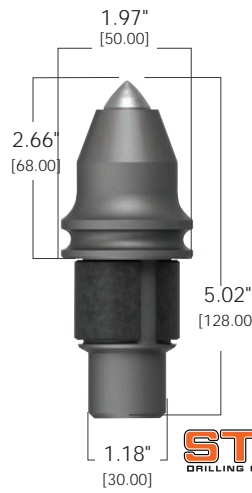
The patented TriDent holders are designed to work with three different types of teeth, the Strata® Conical Tooth, a Non-rotating Radial Tooth and a Non-Rotating Wedge tooth.

NRH-3038
LBS 4.86
PN 990086
Foundation and ACIP Augers
6 PC. Bucket
LBS 29.16
PN NA



NRW-122
LBS 4.5
PN 990096
Foundation and ACIP Augers

8 PC. Bucket	240 PC. Pallet
LBS 27	LBS 1080
PN 850253	PN 850254



SR-122
LBS 2.6
PN 850034
Foundation and ACIP Augers

10 PC. Bucket	450 PC. Pallet
LBS 26	LBS 1170
PN 850209	PN 850215

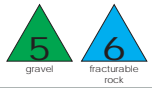


NR-122
LBS 2.46
PN 990089
Foundation and ACIP Augers

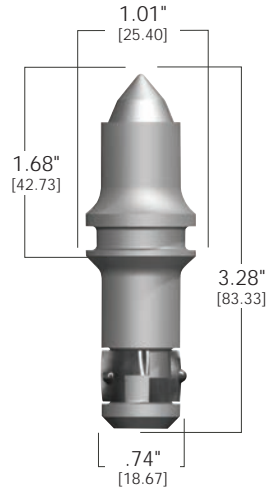
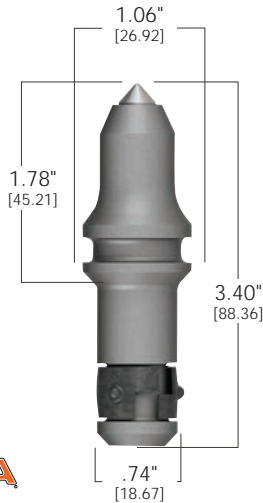
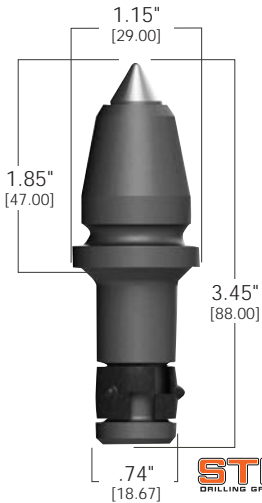
15 PC. Bucket	480 PC. Pallet
LBS 36.9	LBS 1181
PN 850247	PN 850248

IMAGES NOT TO SCALE

AUGER TEETH CONICAL



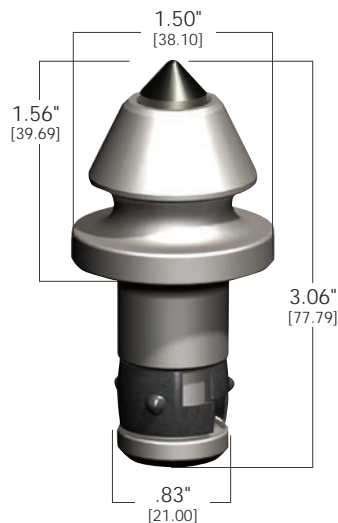
.74" SHANK SIZE



STRATA® SR-74
LBS .65
PN 850027
Foundation and ACIP Augers
65 PC. BUCKET
LBS 42.25
PN 850218
2925 PC. PALLET
LBS 1901
PN NA

S-21
LBS .3
PN 850025
Pressure Digger Augers
65 PC. BUCKET
LBS 19.5
PN NA
2925 PC. BUCKET
LBS 878
PN NA

S-23
LBS .3
PN 850033
Pressure Digger Augers
65 PC. BUCKET
LBS 19.5
PN NA
2925 PC. BUCKET
LBS 878
PN NA



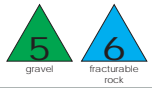
P21-RR
LBS .59
PN 137990
Bolt On Rock Head
75 PC. BUCKET
LBS 29.50
PN NA

The Pengo S21RR Tooth was designed exclusively for the Pengo BoRH® (Bolt-on Rock Head) which converts the Pengo Aggressor® auger into a rock auger in minutes. The stout S21-RR design works well in hard rock and concrete conditions and the enlarged tooth shoulder helps to protect the BoRH® from wear.

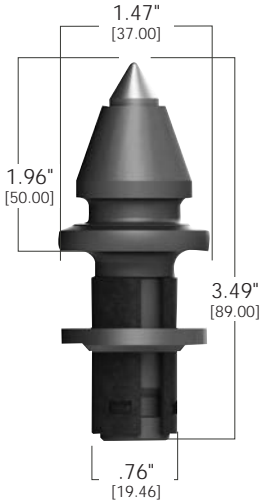


IMAGES NOT TO SCALE

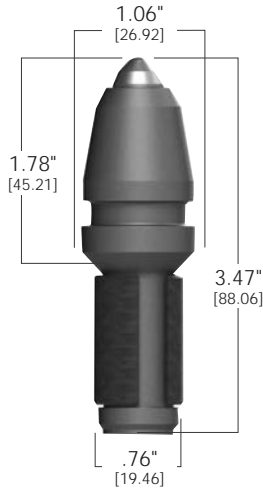
AUGER TEETH CONICAL



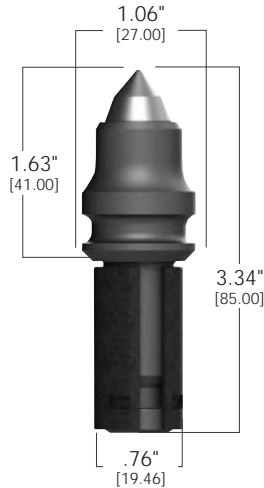
.76" SHANK SIZE



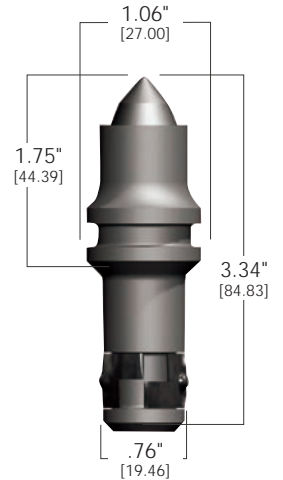
STRATA® SR-76SW
LBS .56
PN 850035
Rock Ripper® Augers
50 PC. BUCKET
LBS 28
PN 850200
3000 PC. PALLET
LBS 1680
PN NA



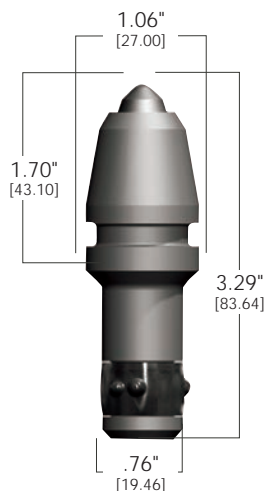
SRL-07
LBS .5
PN 850009
Rock Ripper® Augers
65 PC. BUCKET
LBS 32.5
PN NA
2925 PC. PALLET
LBS 1463
PN NA



SRL-08
LBS .65
PN 990021
Rock Ripper® Augers
65 PC. BUCKET
LBS 19.5
PN 850203
2925 PC. PALLET
LBS 1901
PN NA

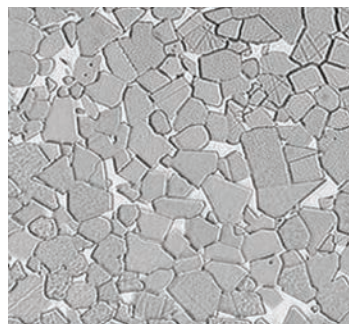


SRL-09
LBS .5
PN 850017
Rock Ripper® Augers
65 PC. BUCKET
LBS 32.5
PN NA
2925 PC. PALLET
LBS 1463
PN NA

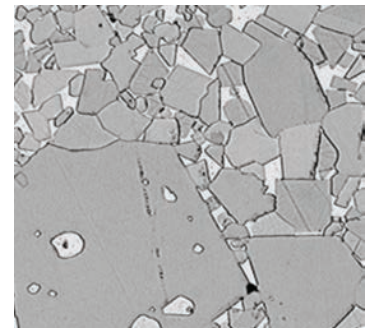


SRL-10	
LBS .5	
PN 850022	
Rock Ripper® Augers	
65 PC. Bucket	2925 PC. Pallet
LBS 32.5	LBS 1463
PN NA	PN NA

STRATA® DRILLING GRADE CARBIDE



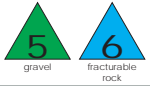
STRATA® Carbide Grain Structure



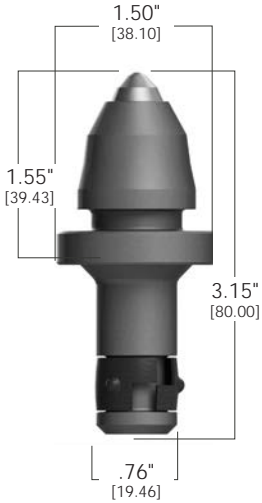
Conventional Carbide Grain Structure

IMAGES NOT TO SCALE

AUGER TEETH CONICAL



.76" SHANK SIZE



SRS-16
LBS .5
PN 134912
Utility Augers
70 PC. BUCKET
LBS 25
PN NA
3000 PC. PALLET
LBS 1500
PN NA



SRZ-16
LBS .4
PN 850001
Utility Augers
45 PC. BUCKET
LBS 18
PN NA
2700 PC. PALLET
LBS 1080
PN NA



SRP-18
LBS .4
PN 850000
Utility Augers
45 PC. BUCKET
LBS 18
PN NA
2700 PC. PALLET
LBS 1080
PN NA

NO IMAGE AVAILABLE

SRP-19
LBS .5
PN 850004
Utility Augers
45 PC. BUCKET
LBS 22.5
PN NA
2700 PC. PALLET
LBS 1350
PN NA

S-3KBF
LBS .5
PN 850003
Utility Augers
50 PC. Bucket
LBS 325
PN NA
3000 PC. Pallet
LBS 1500
PN NA

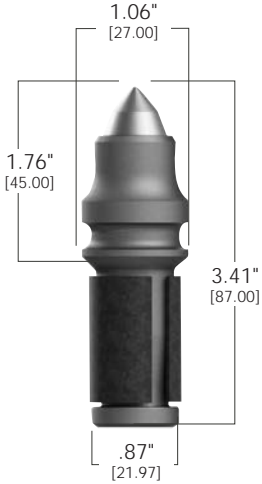


IMAGES NOT TO SCALE

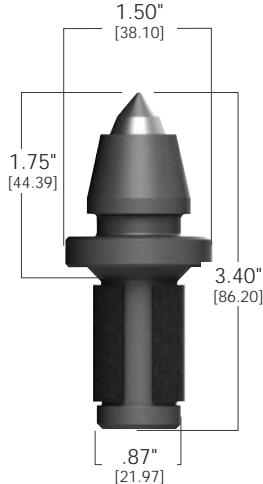
AUGER TEETH CONICAL



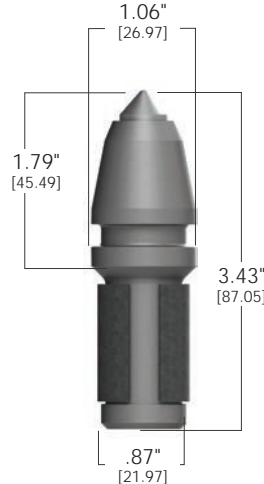
.87" SHANK SIZE



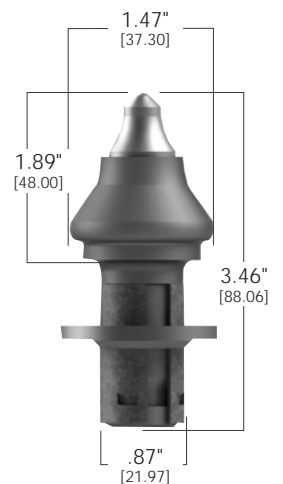
SL-02
LBS .56
PN 850031
Utility Augers
65 PC. BUCKET
LBS 36.4
PN 850206
2925 PC. PALLET
LBS 1638
PN NA



SM-02
LBS .3
PN 990062
Utility Augers
50 PC. BUCKET
LBS 15
PN NA
2250 PC. PALLET
LBS 675
PN NA

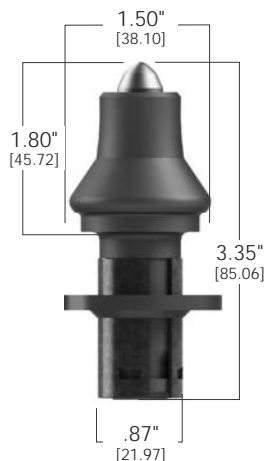


SL-04
LBS .5
PN 850016
Utility Augers
65 PC. BUCKET
LBS 32.5
PN 850202
2925 PC. PALLET
LBS 1463
PN NA



SM-04
LBS .8
PN 850014
Utility Augers
40 PC. BUCKET
LBS 36
PN NA
2400 PC. PALLET
LBS 2160
PN NA

SM-06
LBS .8
PN 850018
Utility Augers
50 PC. Bucket
LBS 40
PN NA
3000 PC. Pallet
LBS 2400
PN NA

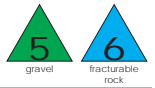


SAR-150-87LR
LBS 2.6
PN 850011
Utility Augers
40 PC. Bucket
LBS 104
PN NA
1800 PC. Pallet
LBS 4680
PN NA

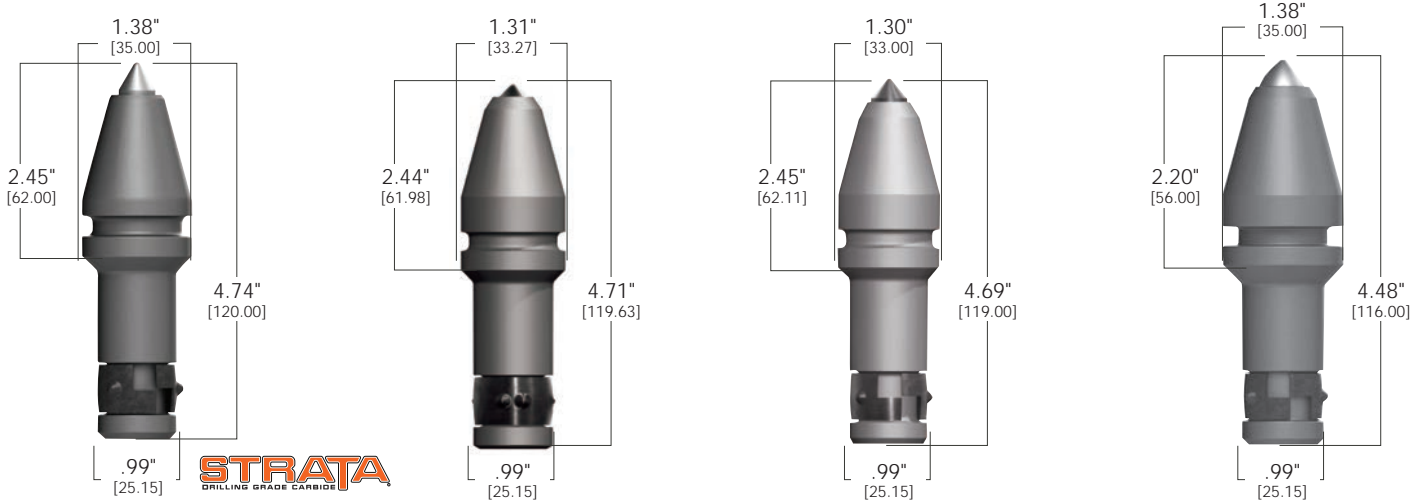


IMAGES NOT TO SCALE

AUGER TEETH CONICAL



1" SHANK SIZE



STRATA® SR-100
LBS 1.05
PN 850023
Utility & FND Augers
35 PC. BUCKET
LBS 36.75
PN 850201
1575 PC. PALLET
LBS 1654
PN 850212

S-31
LBS 1.05
PN 850026
Utility & FND Augers
35 PC. BUCKET
LBS 36.75
PN 850208
2100 PC. PALLET
LBS 2205
PN 850214

S-31HD
LBS 1.1
PN 850037
Utility & FND Augers
35 PC. BUCKET
LBS 38.5
PN 850210
1575 PC. PALLET
LBS 1733
PN 850216

SU40-HD
LBS 2.2
PN 850021
Utility & FND Augers
50 PC. BUCKET
LBS 110
PN NA
3000 PC. PALLET
LBS 6600
PN NA

TAKE YOUR DRILLING TO NEW DEPTHS!

STRATA

DRILLING GRADE CARBIDE

FIELD TESTED!

CUSTOMER APPROVED!

COMPARE and SAVE!

Prices recently reduced on our popular SR-100 and SR-104 Conical Teeth!

FREE SHIPPING on pallet orders of STRATA® teeth.

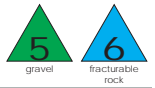
The STRATA® Proprietary Drilling Grade Teeth are Made Especially for the Drilling Industry!

The Improved Grade of Carbide in All Strata Teeth Increases The Life Cycle of The Tooth!

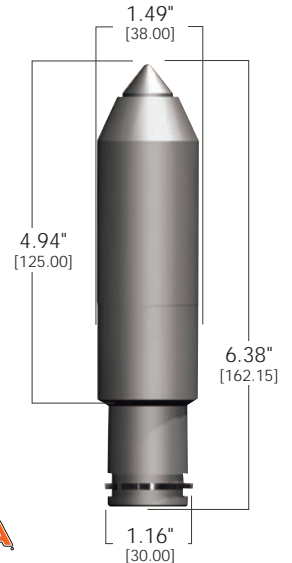
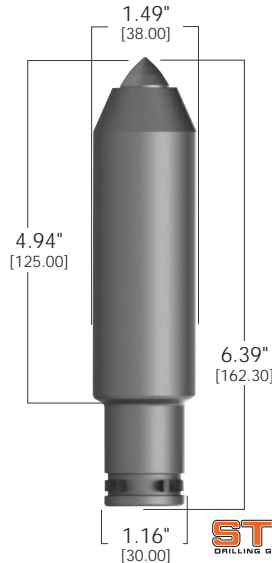
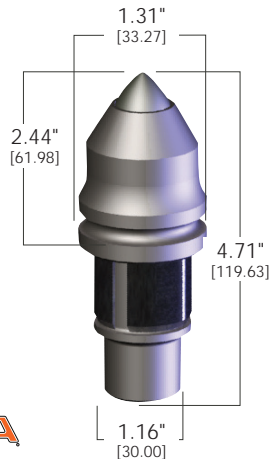
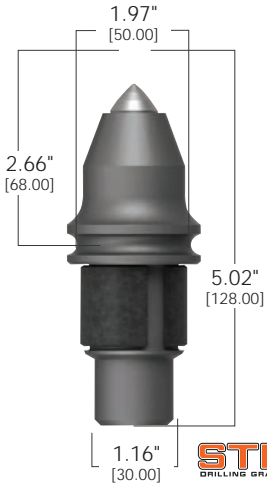
Less Down Time Means Increased Production and Productivity!

IMAGES NOT TO SCALE

AUGER TEETH CONICAL



STEP SHANK SIZE



STRATA® SR-122
LBS 2.6
PN 850034
Foundation Augers
10 PC. BUCKET
LBS 26
PN 850209
450 PC. PALLET
LBS 1170
PN 850215

S-22
LBS 2.6
PN 850039
Foundation Augers
10 PC. BUCKET
LBS 26
PN NA
450 PC. PALLET
LBS 1170
PN 850214

STRATA® SR-104
LBS 2.53
PN 850024
Foundation Augers
15 PC. BUCKET
LBS 37.95
PN 850207
675 PC. PALLET
LBS 1708
PN 850213

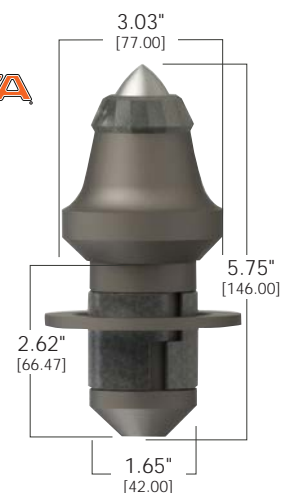
S4-1
LBS 2.6
PN 850038
Foundation Augers
15 PC. BUCKET
LBS 39
PN 850211
675 PC. PALLET
LBS 900
PN 850217

PC3Z
LBS 2.65
PN 850046
Foundation Augers

10 PC. Bucket	450 PC. Pallet
LBS 26.5	LBS 1193
PN NA	PN NA

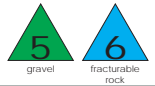


STRATA® SR-165
LBS 3
PN 850048
Foundation Augers
1 PC. Bucket
LBS 3
PN NA

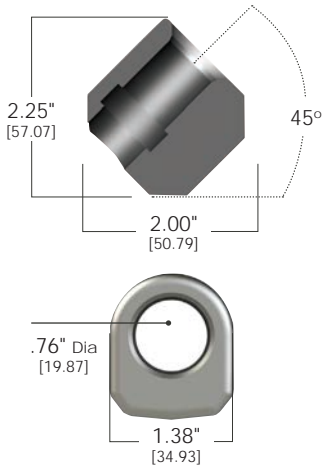


IMAGES NOT TO SCALE

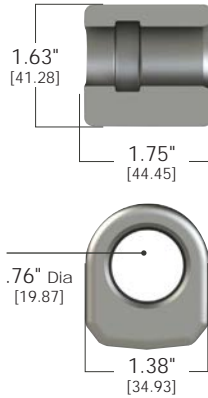
AUGER TEETH HOLDERS



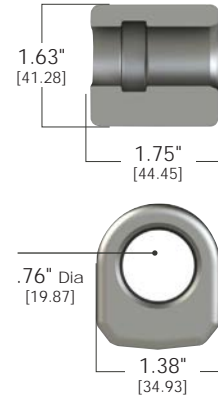
HOLDERS | For Conical Teeth



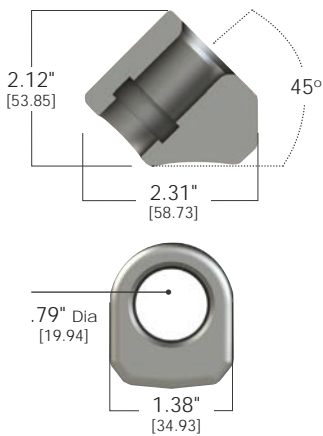
P20 Holder
LBS .7
PN 990002
SR-74, S-21, S-23, S-24



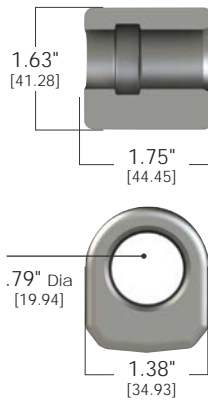
P20F Holder
LBS .9
PN 990085
SR-74, S-21, S-23, S-24



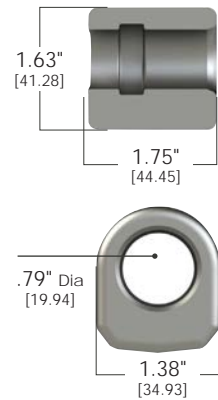
S20HD Holder
LBS 1.1
PN 850007
SR-74, S-21, S-23, S-24



P10 Holder
LBS .7
PN 990043
SR-76SW, SRL-07, SRL-08, SRL-09, SRL-10, SRS-16, SRZ-16, SRP-18, SRP-19, S-3KBF



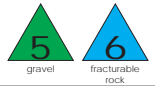
P10F Holder
LBS .9
PN 990084
SR-76SW, SRL-07, SRL-08, SRL-09, SRL-10, SRS-16, SRZ-16, SRP-18, SRP-19, S-3KBF



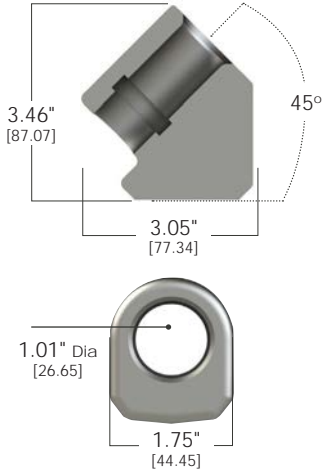
S10HD Holder
LBS .6
PN 850006
SR-76SW, SRL-07, SRL-08, SRL-09, SRL-10, SRS-16, SRZ-16, SRP-18, SRP-19, S-3KBF

IMAGES NOT TO SCALE

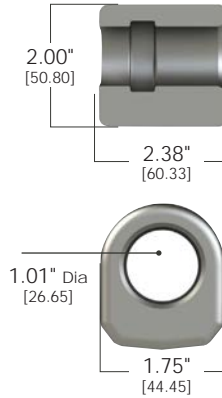
AUGER TEETH HOLDERS



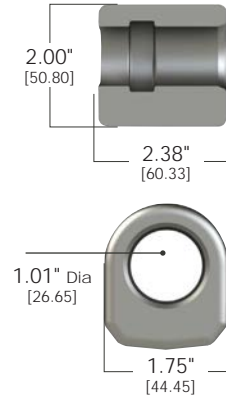
HOLDERS | For Conical Teeth



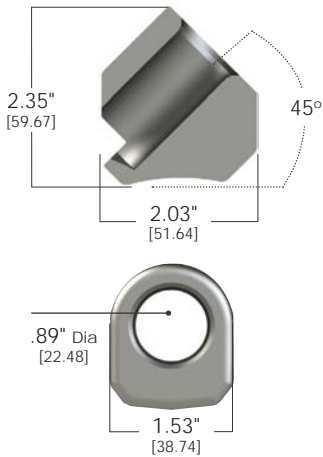
P30 Holder
LBS 2.6
PN 990001
SR-100, S-31, S-31HD, SU40-HD



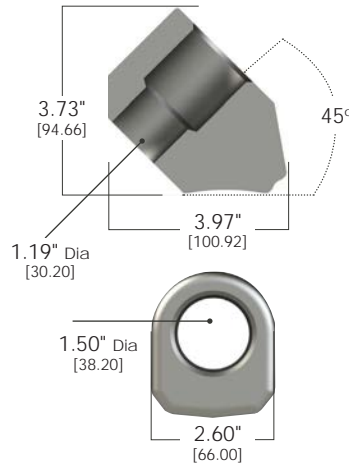
P30F Holder
LBS 1
PN 990082
SR-100, S-31, S-31HD, SU40-HD



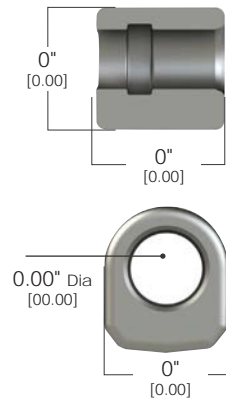
S30H Holder
LBS 1
PN 850013
SR-100, S-31, S-31HD, SU40-HD



P87B Holder
LBS 1
PN 990029
SL-02, S-387B, SL-04, SM-04, SM-06



P4 Holder
LBS 3.65
PN 990003
SR-122, S-22, SR-104, S4-1



B48 Holder
LBS 1.1
PN 800072
Concial Tooth

IMAGES NOT TO SCALE

AUGER TEETH PULLERS

BIT PULLER | For Conical Teeth



S20HP Bit Puller

LBS | 4

PN | 850005

SR-74, S-21, S-23, S-24



C123 Bit Puller

LBS | 4

PN | 134091

SRL-07, SRL-08, SRL-09, SRL-10, SRS-16, SRZ-16, SRP-18, SRP-19, S-3KBF, SL-02, S-387BF, SL-04, SM-04, SM-06, SAR-150-87LR



C30HP Bit Puller

LBS | 4

PN | 134090

SR-76SW, SR-100, S-31HD, SU40-HD



BZ-12 Bit Puller

LBS | 3

PN | 850043

SR-122, S-22, SR-104, S4-1, PC3Z, SR-165

IMAGES NOT TO SCALE

WEAR PARTS

IMAGES NOT TO SCALE

