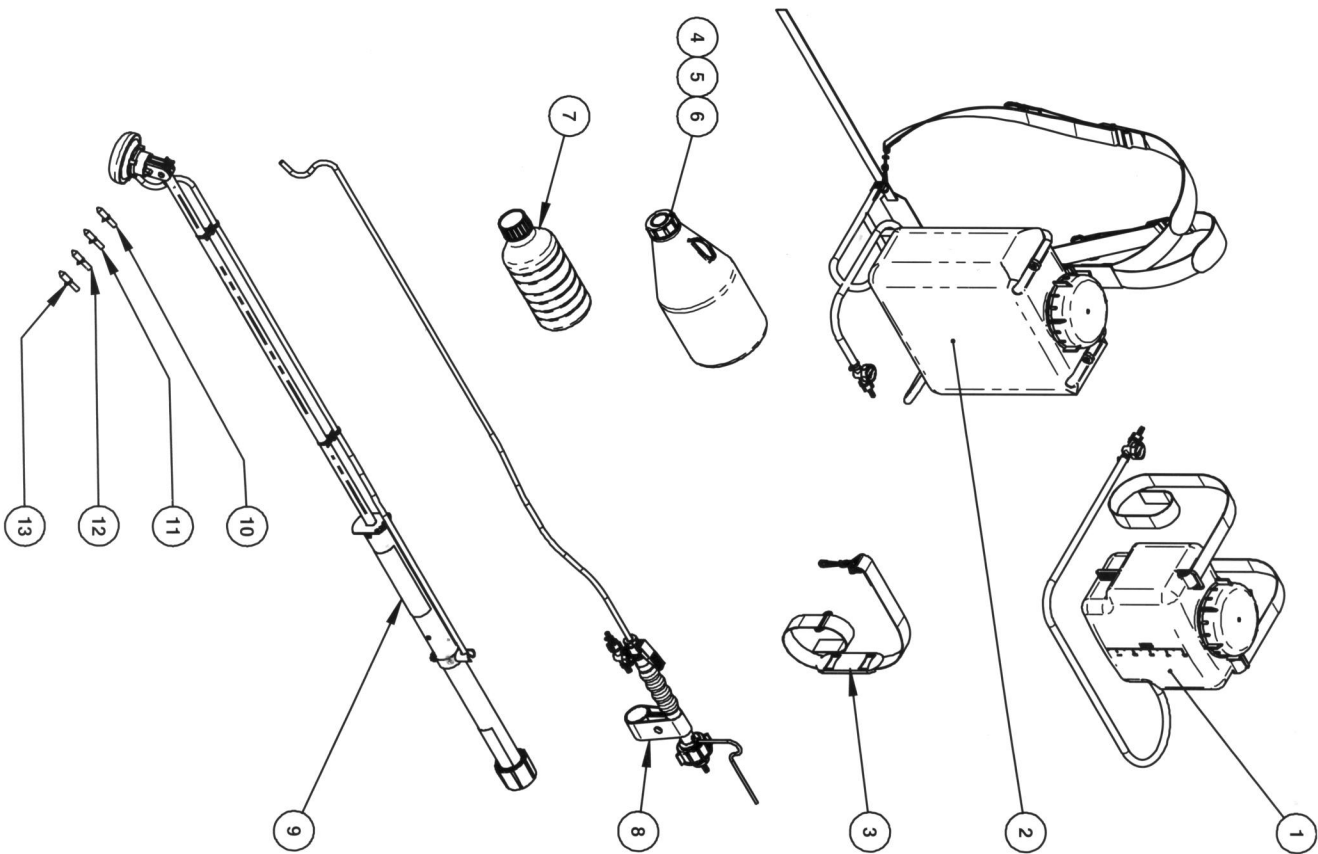


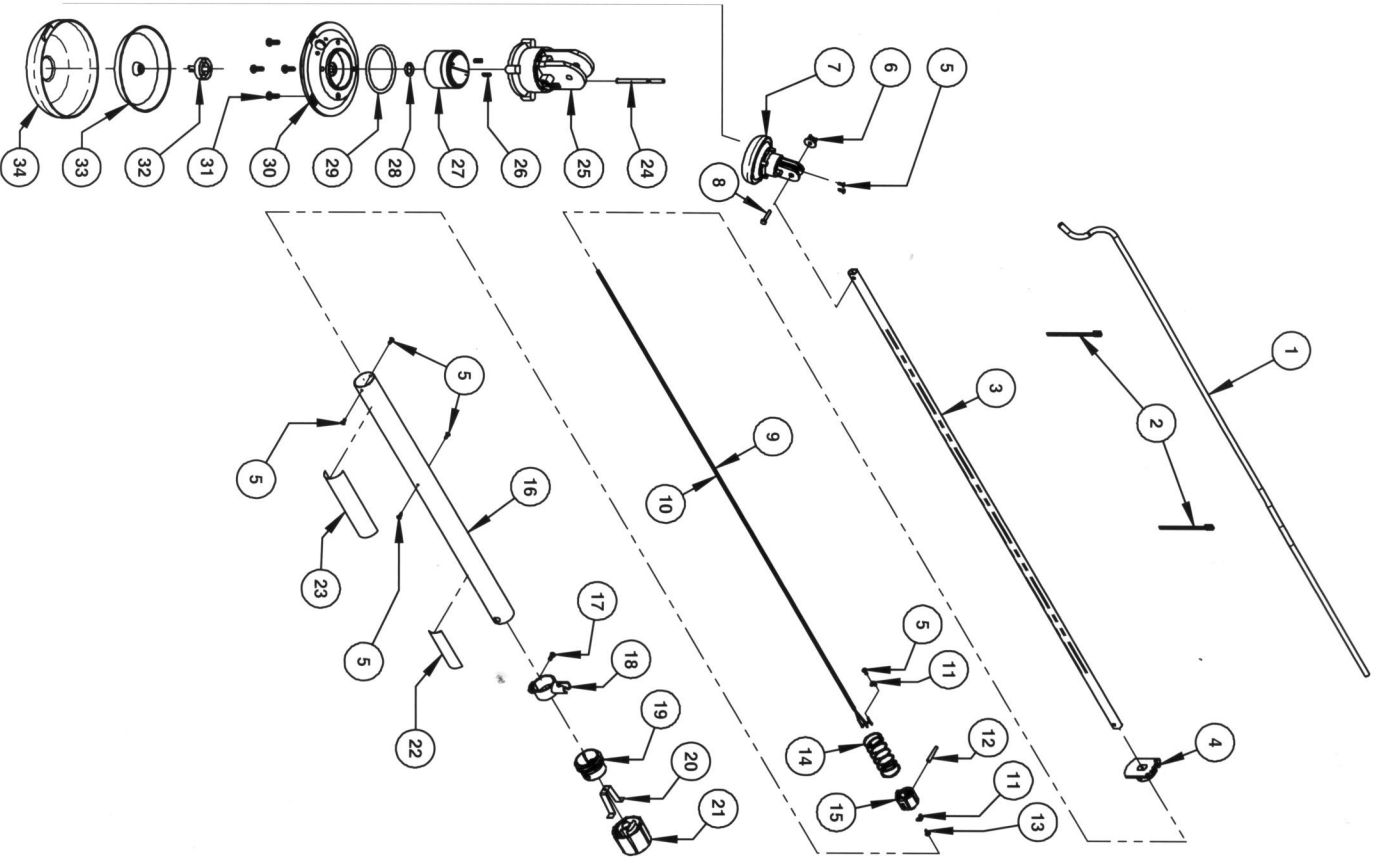
HERBI 4 AND ACCESSORIES

HERBI 4 AND ACCESSORIES - PARTS LIST



ITEM	PART No.	DESCRIPTION
1	5404A (page 22)	MICROPACK 5L BACKPACK
2	5207A (page 24)	MICROPACK 10 LITRE BACKPACK
3	5107C	SHOULDER STRAP
4	4390	BOTTLE, 2.5L HDPE
5	4489	CAP, BOTTLE 2.5L
6	5353	WAD SEAL, BOTTLE 2.5L
7	5836	BOTTLE, PET 1L WITH CAP
8	HB4/018 (page 20)	HANDLE VALVE CONVERSION ASSEMBLY
9	(page 16)	HERBI 4 STANDARD COMPONENTS
10	5038	FEED NOZZLE BLUE
11	5041	FEED NOZZLE RED
12	5040	FEED NOZZLE ORANGE
13	5039	FEED NOZZLE YELLOW

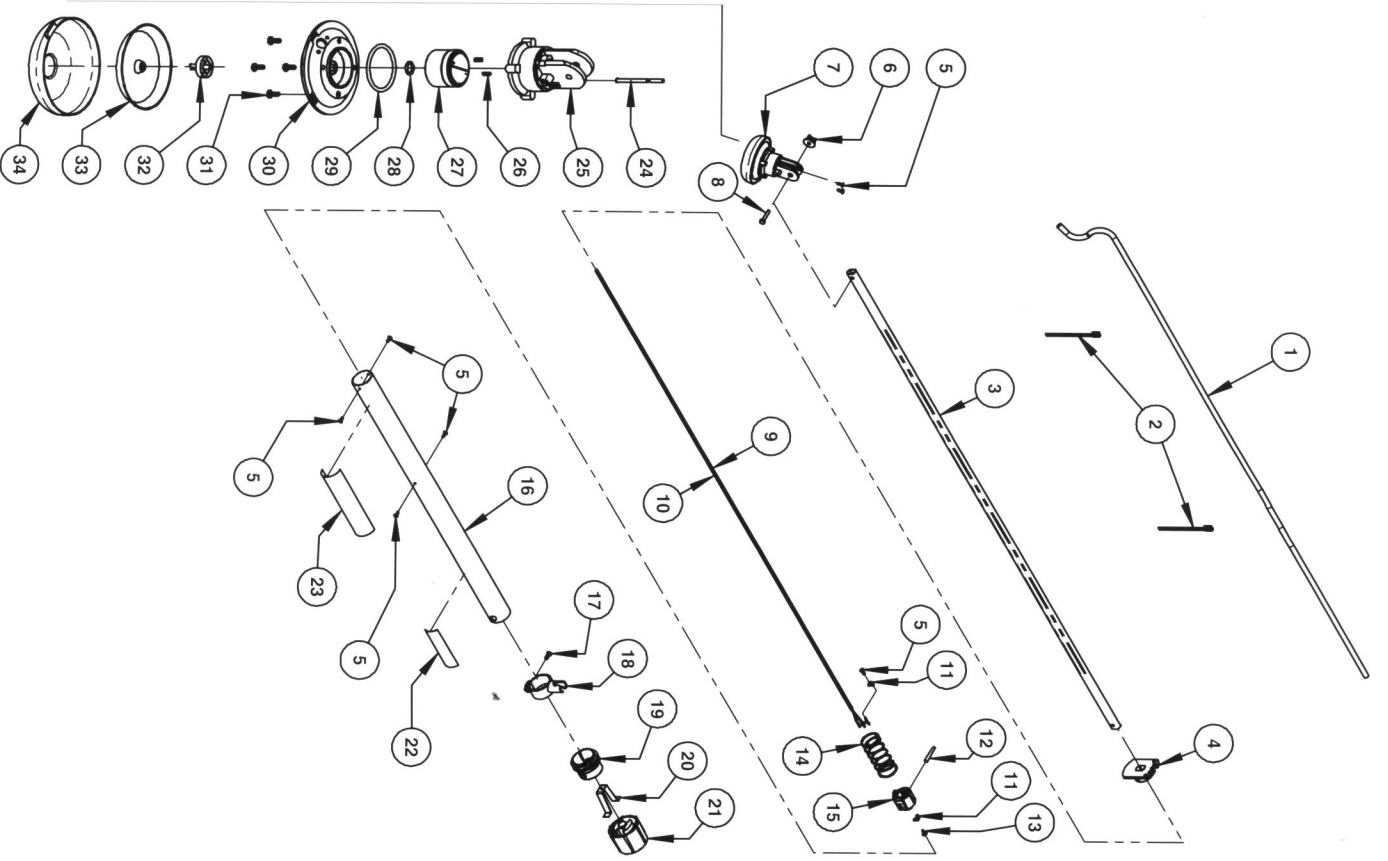
HERBI 4 STANDARD COMPONENTS



HERBI 4 STANDARD COMPONENTS - PARTS LIST

ITEM	PART No.	DESCRIPTION	QT
1	4993	TUBE 6MM ID X 9MM OD - PVC	1.2
2	7831	CABLE TIE	2
3	5446	EXTENSION TUBE	1
4	5376	BATTERY CASE END CAP	1
5	5399	SCREW, S/T NO.6X3/8" PZ PAN HD. B	7
6	4907	WING NUT	1
7	HB4_101	HERBI 4 ATOMISER HEAD ASSEMBLY	1
8	5029	SCREW M5	1
9	4368	WIRE, 1.0 MM, RED - PER METRE	1.25
10	4134	WIRE, 1.0 MM, BLACK (PER METRE)	1.3
11	5575	RING TERMINAL	2
12	4447	SPRING HOLDING PIN	1
13	4646	SCREW, S/T NO.6X3/8" PZ. FL.HD. AB	1
14	5363	BATTERY SPRING	1
15	5375	CENTRE CONNECTOR	1
16	5377	BATTERY CASE	1
17	5956	SCREW, M5X12 PT	1
18	5780	VALVE CLAMP	1
19	7465	SCREW SWITCH SLEEVE	1
20	7495	CONNECTOR, SCREW SWITCH	1
21	7464	SCREW SWITCH PLUG	1
22	8621	LABEL BATTERY	1
23	8673	LABEL HERBI 4	1

HERBI 4 STANDARD COMPONENTS (continued)



HERBI 4 STANDARD COMPONENTS - PARTS LIST (continued)

ITEM	PART No.	DESCRIPTION	QTY
24	3512	AIR VENT TUBE - 0.15M	0.15 T
25	6125/RG	MOTOR HOUSING	1
26	4457	SPRING	2
27	5442	MOTOR, HERBI & HANDY	1
28	7289	O RING, BS 121 VITON	1
29	5455	O RING, BS 121 VITON	1
30	5424/RG	FRONT PLATE	1
31	5399	SCREW, S/T NO.6X3/8" PZ PAN HD. B	4
32	5022	DUMMY SHAFT	1
33	5021	ATOMISER DISC	1
34	4462/RG	ATOMISER PROTECTIVE COVER	1