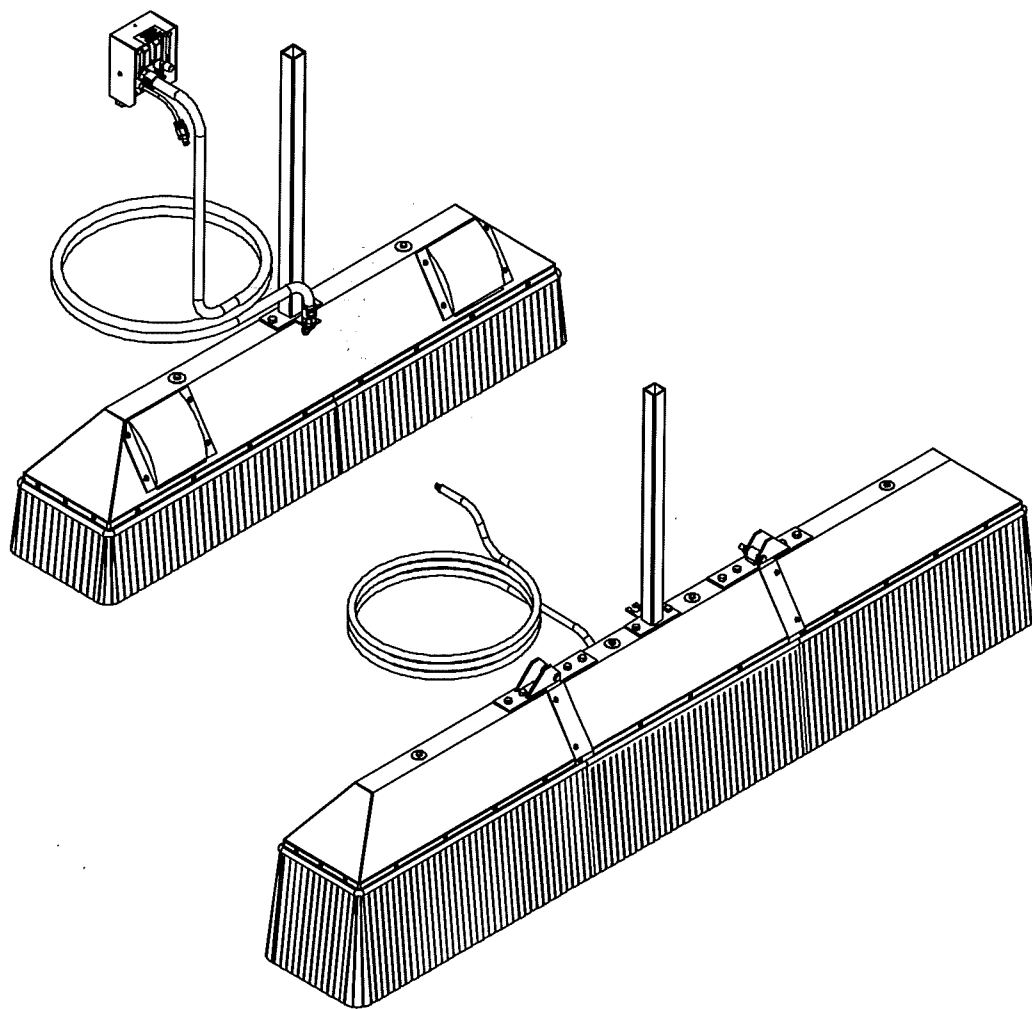




Spraymiser



Parts Catalogue

Publication Part No: 9196

Revision: A

Edition Notice

Prepared and printed by or on behalf of:



This publication covers the following products:

Spraymiser and accessories

CDA Models - 1200, 1400, 1600, 1800, 1800 (folding) 2000, 2000 (folding) 2400,
2400 (folding)

Hi-Flo Models – 1200, 1500, 2000, 2000 (folding) 2400, 2400 (folding)

This document is prepared for Micron Sprayers Ltd. their agents and clients. The document should be taken in its entirety. No responsibility can be accepted, nor can consent be assumed for the part reproduction, editing, extract or quotation taken out of context of this document.

All rights reserved. No part of this publication may be reproduced, stored in a retrieval system, or transmitted in any form or by any means, electronic, mechanical, photocopying, recording or otherwise, without the prior permission of Micron Sprayers Ltd.

Copyright © Micron Sprayers Ltd. December 2013

Whilst every effort has been made to ensure the accuracy of this document, any errors or inaccuracies should be reported to Micron Sprayers Ltd. or their agents.



Bromyard Industrial Estate

Bromyard

Herefordshire

HR7 4HS

U.K.

p

T +44 (0)1885 482397

F +44 (0)1885 483043

E enquiries@micron.co.uk

www.micron.co.uk

Table of Contents

1	Subframes Covers and Fixings	8
1.1	Subframes, Hinges and Fixings.....	8
1.2	CDA Cover Components	10
1.3	Hi-Flo Cover Components.....	12
2	Spray-Heads Nozzles and Ancillaries	14
2.1	CDA Spray-Head Assembly and Ancillaries.....	14
2.2	Hi-Flo Nozzle-Bodies and Ancillaries.....	16
3	Controllers And Backplates	17
3.1	Controller, Lamp Type, 2 and 3-Way	18
3.2	Backplate Assemblies, 2, 4 and 6-Way	20
3.3	Power Wire Assembly.....	22
4	Mounting Components	24

Only use spare parts recommended by Micron Group, their agents and/or distributors.

The use of parts not specifically recommended by micron group, their agents and/or distributors may void any warrantee agreements.

Spare parts should only be fitted by suitably qualified and/or experienced persons.

When ordering spare parts, please specify the following information:

- Serial number of system/unit.
- Approximate date of manufacture.
- Description of part.
- Part number as shown in this section.
- Quantity required.

For spare parts and accessories contact:



Bromyard Industrial Estate

Bromyard

Herefordshire

HR7 4HS

U.K.

T +44 (0)1885 482397

F +44 (0)1885 483043

E enquiries@micron.co.uk

www.micron.co.uk

Or your authorised agent:

Agent / Distributor details:

--

SPRAYMISER SUB-ASSEMBLIES

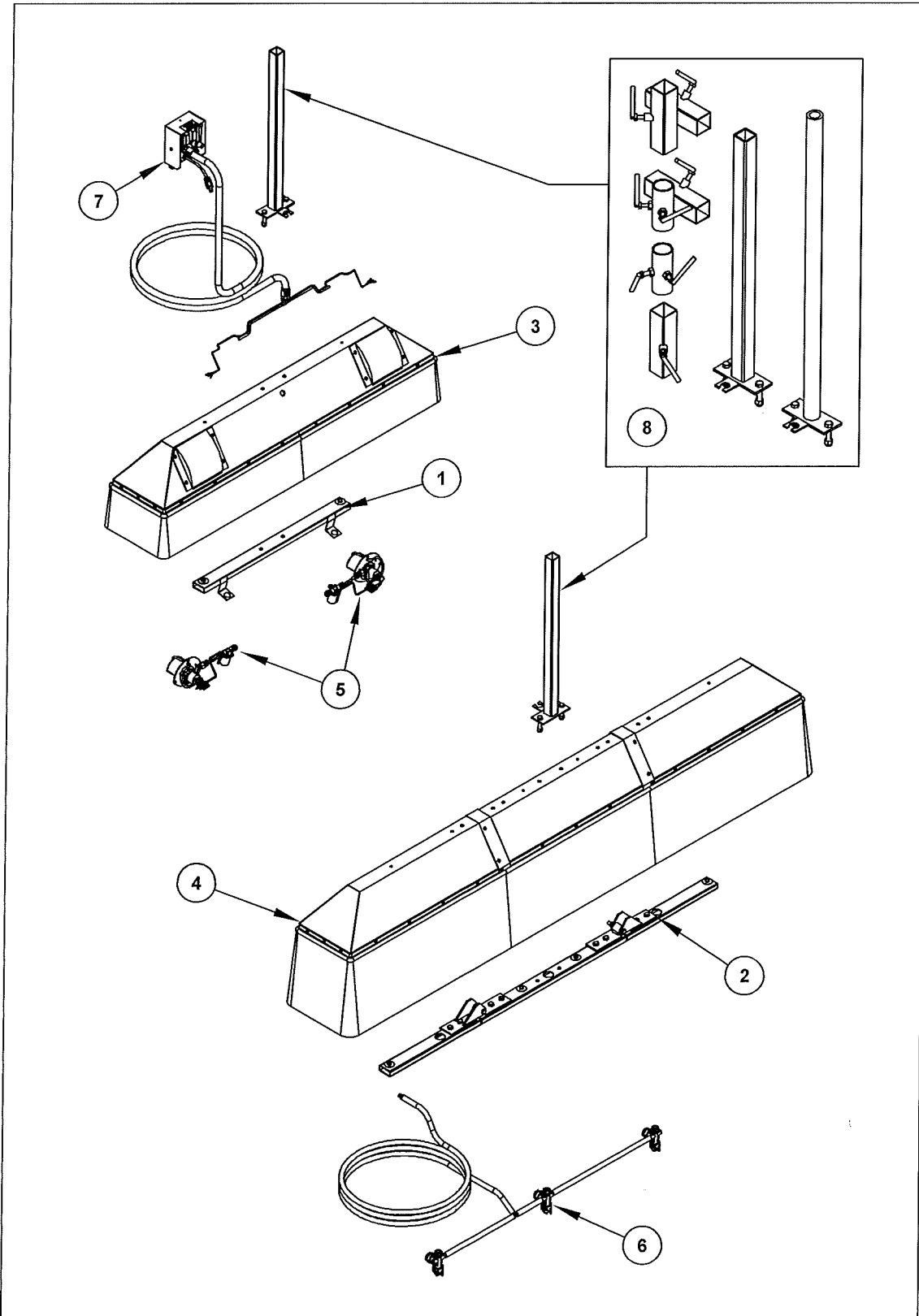


Figure 1 – Spraymiser Sub-Assemblies

Spraymiser Sub-Assemblies

ITEM	DESCRIPTION	Refer to
1	CDA SUBFRAME COMPONENTS	Section 1.1
2	HI-FLO SUBFRAME COMPONENTS	Section 1.1
3	CDA COVER COMPONENTS	Section 1.2
4	HI-FLO COVER COMPONENTS	Section 1.3
5	CDA SPRAY-HEADS AND ANCILLARIES	Section 2.1
6	HI-FLO NOZZLE BODIES AND ANCILLARIES	Section 2.2
7	CONTROLLERS AND BACKPLATES	Section 3
8	MOUNTING COMPONENTS	Section 4

1 SUBFRAMES COVERS AND FIXINGS

1.1 Subframes, Hinges and Fixings

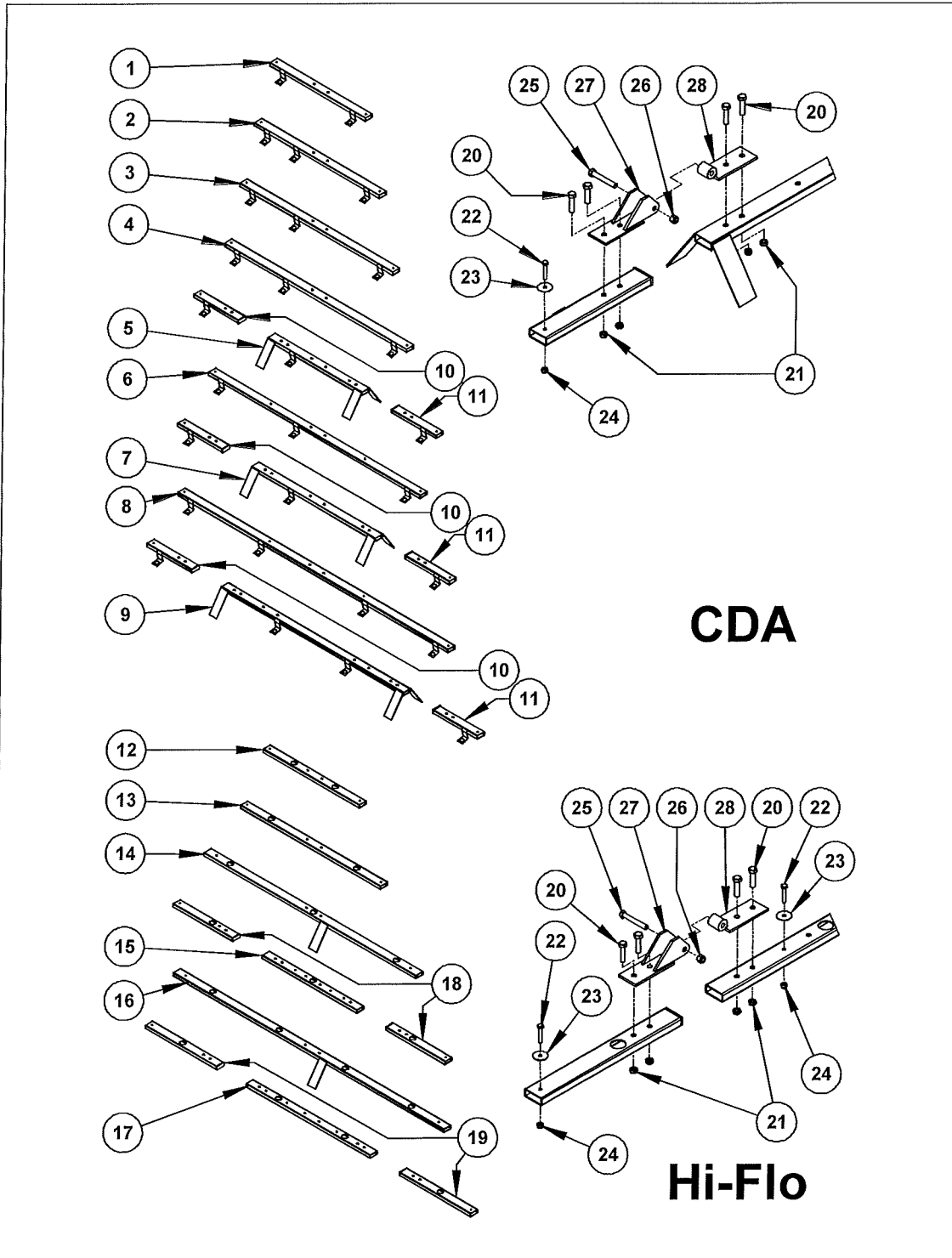


Figure 2 – CDA Subframe Components

CDA Subframe Components - Parts List

ITEM	PART NO.	DESCRIPTION
1	ZS023	SUBFRAME, SPRAYMISER 1200 CDA, FIXED
2	-	SUBFRAME, SPRAYMISER 1400 CDA, FIXED
3	-	SUBFRAME, SPRAYMISER 1600 CDA, FIXED
4	-	SUBFRAME, SPRAYMISER 1800 CDA, FIXED
5	-	SUBFRAME, SPRAYMISER 1800 CDA, FOLDING
6	-	SUBFRAME, SPRAYMISER 2000 CDA, FIXED
7	-	SUBFRAME, SPRAYMISER 2000 CDA, FOLDING
8	-	SUBFRAME, SPRAYMISER 2400 CDA, FIXED
9	-	SUBFRAME, SPRAYMISER 2400 CDA, FOLDING
10	-	SUBFRAME, SPRAYMISER CDA FOLDING, WING, RHS
11	-	SUBFRAME, SPRAYMISER CDA FOLDING, WING, LHS
12	-	SUBFRAME, SPRAYMISER 1200 HI-FLO, FIXED
13	-	SUBFRAME, SPRAYMISER 1500 HI-FLO, FIXED
14	ZS098	SUBFRAME, SPRAYMISER 2000 HI-FLO, FIXED
15	-	SUBFRAME, SPRAYMISER 1800 HI-FLO, FOLDING
16	-	SUBFRAME, SPRAYMISER 2400 HI-FLO, FIXED
17	-	SUBFRAME, SPRAYMISER 2400 HI-FLO, FOLDING
18	-	SUBFRAME, SPRAYMISER 2000 HI-FLO, WING
19	-	SUBFRAME, SPRAYMISER 2400 HI-FLO, WING
20	UF020	BOLT, 3/8 X 1 1/2 BSW, HEX, BZP
21	UF090	NUT, NYLOC, 3/8" BSW, BZP
22	UF017	BOLT, 1/4" BSW X 1 1/2", ZC
23	UF053	WASHER, FLAT, 1/4" X 1 1/4" X 16G BZP
24	UF028	NUT, 1/4" BSW, NYLOC, BZP
25	UF022	BOLT, 3/8" X 2 1/2" HEX
26	UF029	NUT, 3/8 BSW, NYLOC BZP
27	ZS038	HINGE OUTER
28	ZS038	HINGE CENTRE

SPRAYMISER CDA & HiFlo HEADS PER MODEL

	CDA	HiFlo
2400	4	4
2000	3	3
1800	3	3
1500	3	3
1200	2	2

Note: HiFlo's come standard with TeeJetXR11004 flat fan nozzles

1.2 CDA Cover Components

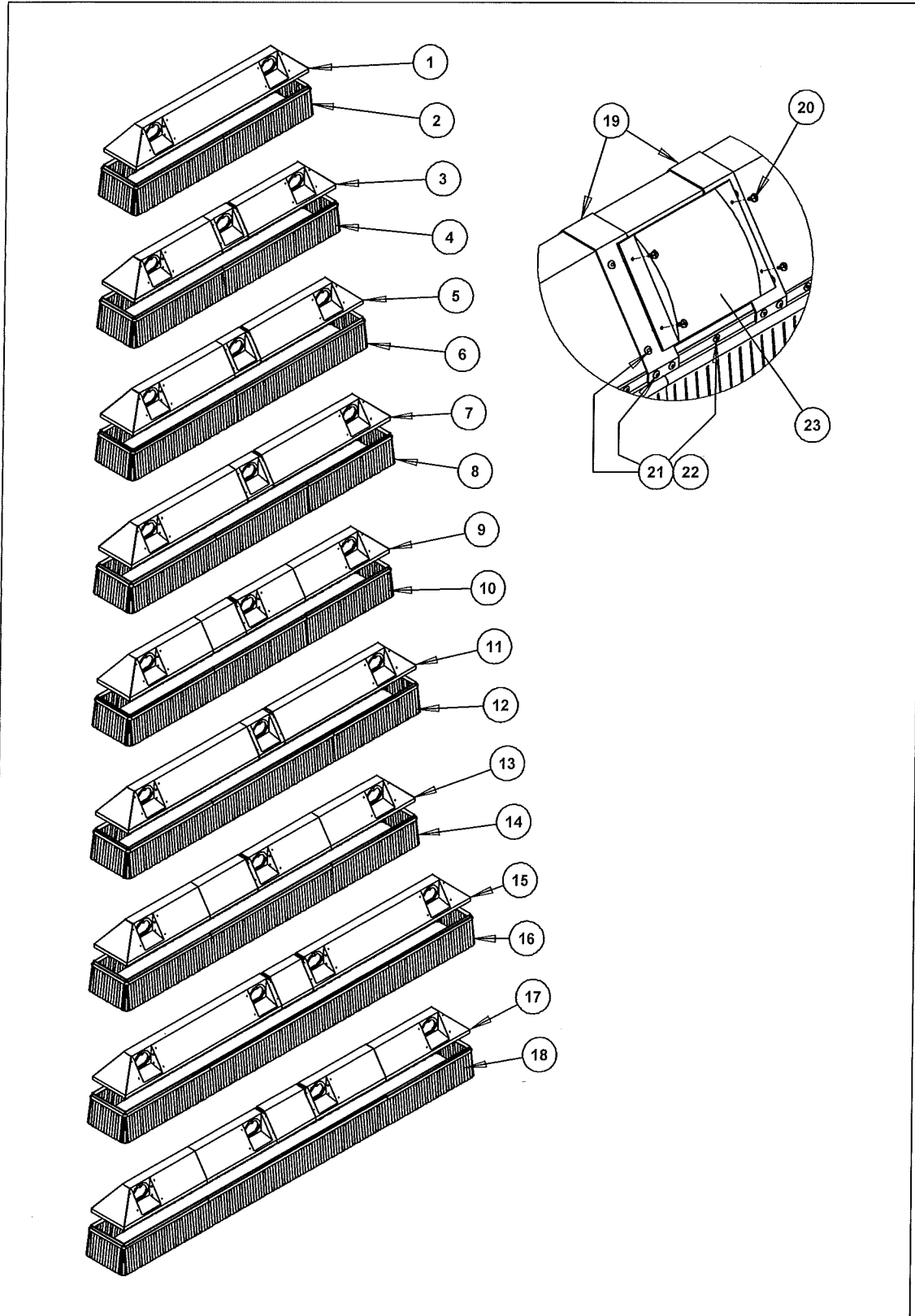


Figure 3 CDA Cover Components

CDA Cover Components - Parts List

ITEM	PART NO.	DESCRIPTION
1	ZS007	SPRAYMISER 1200 FIXED - POLY COVER SET
2	ZS031	SPRAYMISER 1200 FIXED - BRUSH SET
3	-	SPRAYMISER 1400 FIXED - POLY COVER SET
4	-	SPRAYMISER 1400 FIXED - BRUSH SET
5	-	SPRAYMISER 1600 FIXED - POLY COVER SET
6	-	SPRAYMISER 1600 FIXED - BRUSH SET
7	-	SPRAYMISER 1800 FIXED - POLY COVER SET
8	-	SPRAYMISER 1800 FIXED - BRUSH SET
9	-	SPRAYMISER COVERS ASSEMBLY MASTER
10	-	SPRAYMISER 1800 FOLDING- BRUSH SET
11	-	SPRAYMISER 2000 FIXED - POLY COVER SET
12	-	SPRAYMISER 2000 FIXED - BRUSH SET
13	-	SPRAYMISER 2000 FOLDING- POLY COVER SET
14	-	SPRAYMISER 2000 FOLDING- BRUSH SET
15	-	SPRAYMISER 2400 FIXED - POLY COVER SET
16	-	SPRAYMISER 2400 FIXED - BRUSH SET
17	-	SPRAYMISER 2400 FOLDING- POLY COVER SET
18	-	SPRAYMISER 2400 FOLDING- BRUSH SET
19	-	SPRAYMISER JOINT COVER, 50 X 2
20	UF054	SCREW, SELF-TAP, 10 AB x 1/2"
21	UF035	POP-RIVET6-8
22	UF002	WASHER, FLOAT, 3/16" X 1/2" X 20 G, BZP
23	ZS066	SPRAYMISER CDA RECESS COVER

1.3 Hi-Flo Cover Components

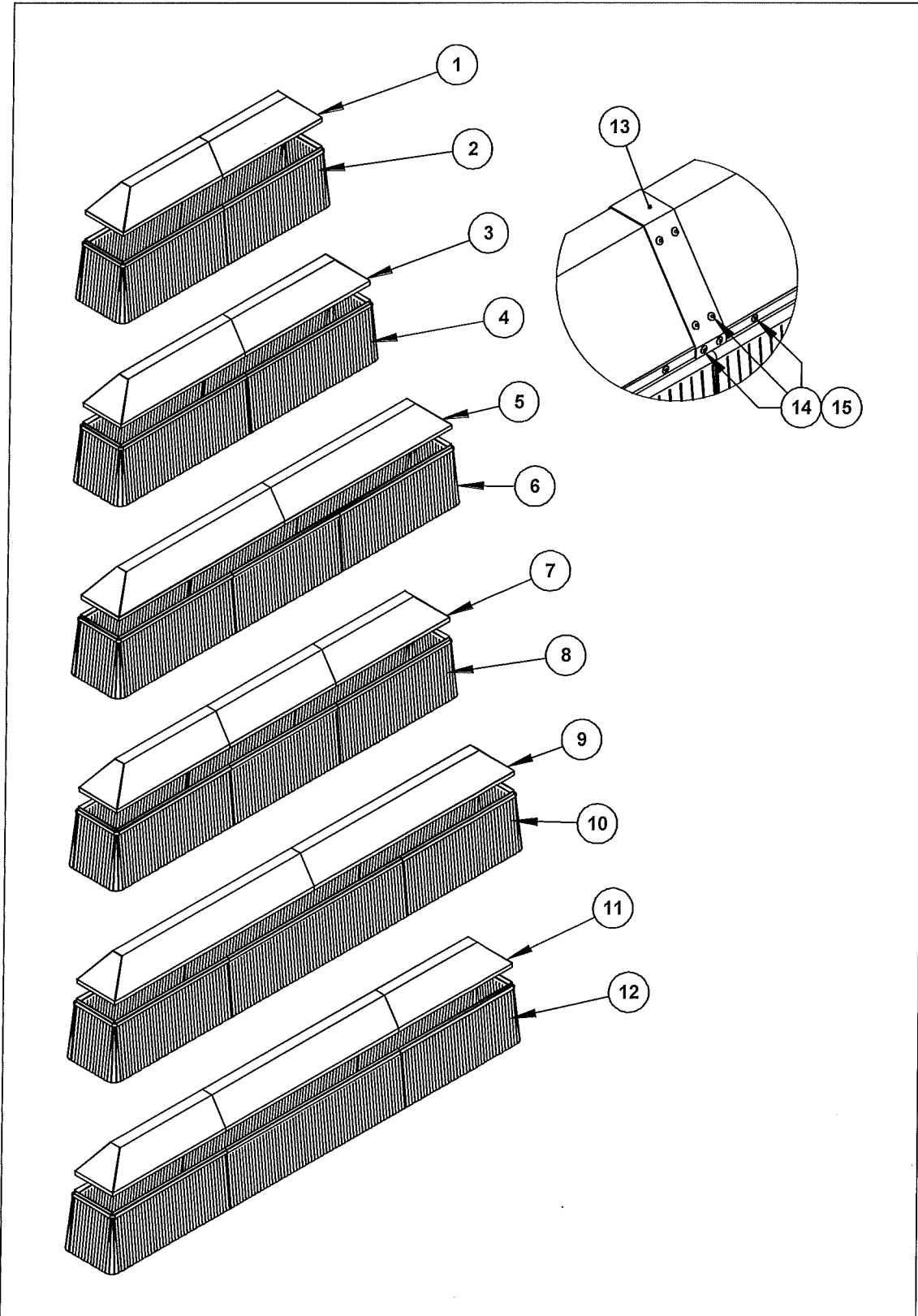


Figure 4 – Hi-Flo Cover Components

Hi-Flo Cover Components - Parts List

ITEM	PART NO.	DESCRIPTION
1	-	SPRAYMISER 1200 HI-FLO FIXED - POLY COVER SET
2	-	SPRAYMISER 1200 HI-FLO FIXED - BRUSH SET
3	-	SPRAYMISER 1500 HI-FLO FOLDING - POLY COVER SET
4	-	SPRAYMISER 1500 HI-FLO FIXED - BRUSH SET
5	-	SPRAYMISER 2000 HI-FLO FIXED - POLY COVER SET
6	ZS068	SPRAYMISER 2000 HI-FLO FIXED - BRUSH SET
7	-	SPRAYMISER 2000 HI-FLO FOLDING - POLY COVER SET
8	-	SPRAYMISER 2000 HI-FLO FOLDING - BRUSH SET
9	-	SPRAYMISER 2400 HI-FLO FIXED - POLY COVER SET
10	-	SPRAYMISER 2400 HI-FLO FIXED - BRUSH SET
11	-	SPRAYMISER 2400 HI-FLO FOLDING - POLY COVER SET
12	-	SPRAYMISER 2400 HI-FLO FOLDING - BRUSH SET
13	-	SPRAYMISER JOINT COVER, 50 X 2
14	UF035	POP-RIVET6-8
15	UF002	WASHER, FLOAT, 3/16" X 1/2" X 20 G, BZP

2 SPRAY-HEADS NOZZLES AND ANCILLARIES

2.1 CDA Spray-Head Assembly and Ancillaries

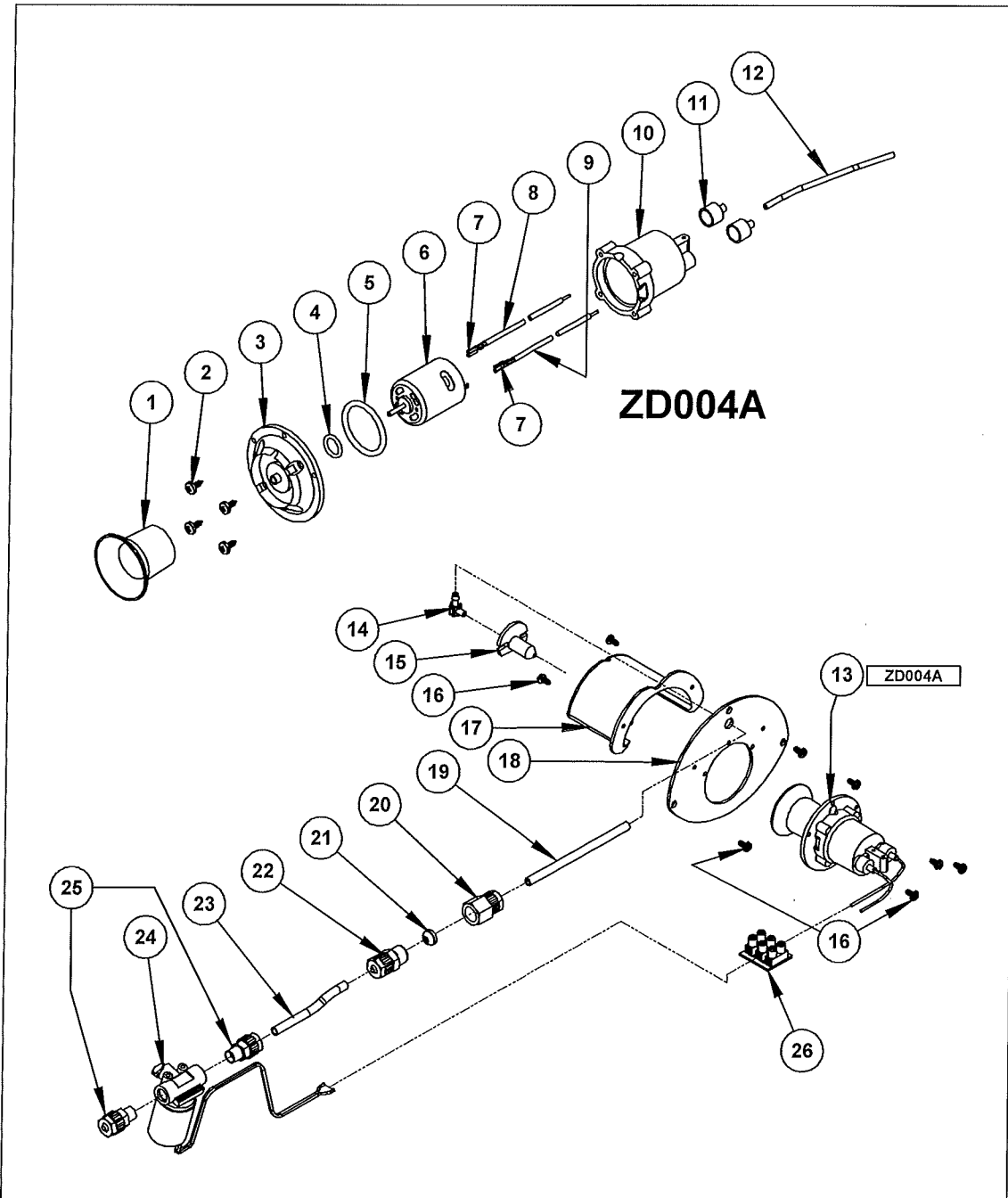


Figure 5 – CDA Spray-Head Assembly and Ancillaries

CDA Spray-Head Assembly and Ancillaries - Parts List

ITEM	PART NO.	DESCRIPTION	QTY.
1	ZU082	ATOMISER DRUM	1
2	5399	SCREW, PAN HEAD, NO.6 X 3/8" SS	4
3	MI046A	MOTOR FRONT PLATE, GREEN	1
4	5398	O-RING (ULVA+ MOTOR SHAFT)	1
5	5403	O-RING (ULVA+ MOTOR BODY)	1
6	MI009	MOTOR (ULVA+)	1
7	FE015	TERMINAL, PUSH-ON, FEMALE	2
8	4368	WIRE, 1.0 mm, RED	0.24 m
9	4134	WIRE, 1.0 mm, BLACK	0.24 m
10	MI045	MOTOR HOUSING, GREEN	1
11	6717	BOOT, RUBBER	2
12	-	BREATHER TUBE	1
13	ZD004A	ATOMISER HEAD ASSEMBLY (DRUM TYPE)	1
14	ZU023	ELBOW EB4 (MODIFIED)	1
15	ZU089	FEED NOZZLE, BLUE (MODIFIED FOR ZD004A))	1
16	UF048	SCREW, 6-20 X 3/8" SELF TAP	8
17	ZU083	COVER, RECIRCULATING	1
18	ZS030	BRACKET, SPRAYMISER CDA HEAD	1
19	BI040	HOSE, 6 MM, SAMPAC, MICRO FLEXIBLE	0.24 m
20	BI027	ADAPTER 1/4" X 6 MM	1
21	HN024	RESTRICTOR, NO. 4	1
22	BI028	ADAPTER	1
23	BI040	HOSE, 6 MM, SAMPAC, MICRO FLEXIBLE	0.11 m
24	BI044	SOLENOID	1
25	AL014	ADAPTER, 1/8 BSP X 6 MM	2
26	ZE008	CONNECTOR, 3 WAY	1

2.2 Hi-Flo Nozzle-Bodies and Ancillaries

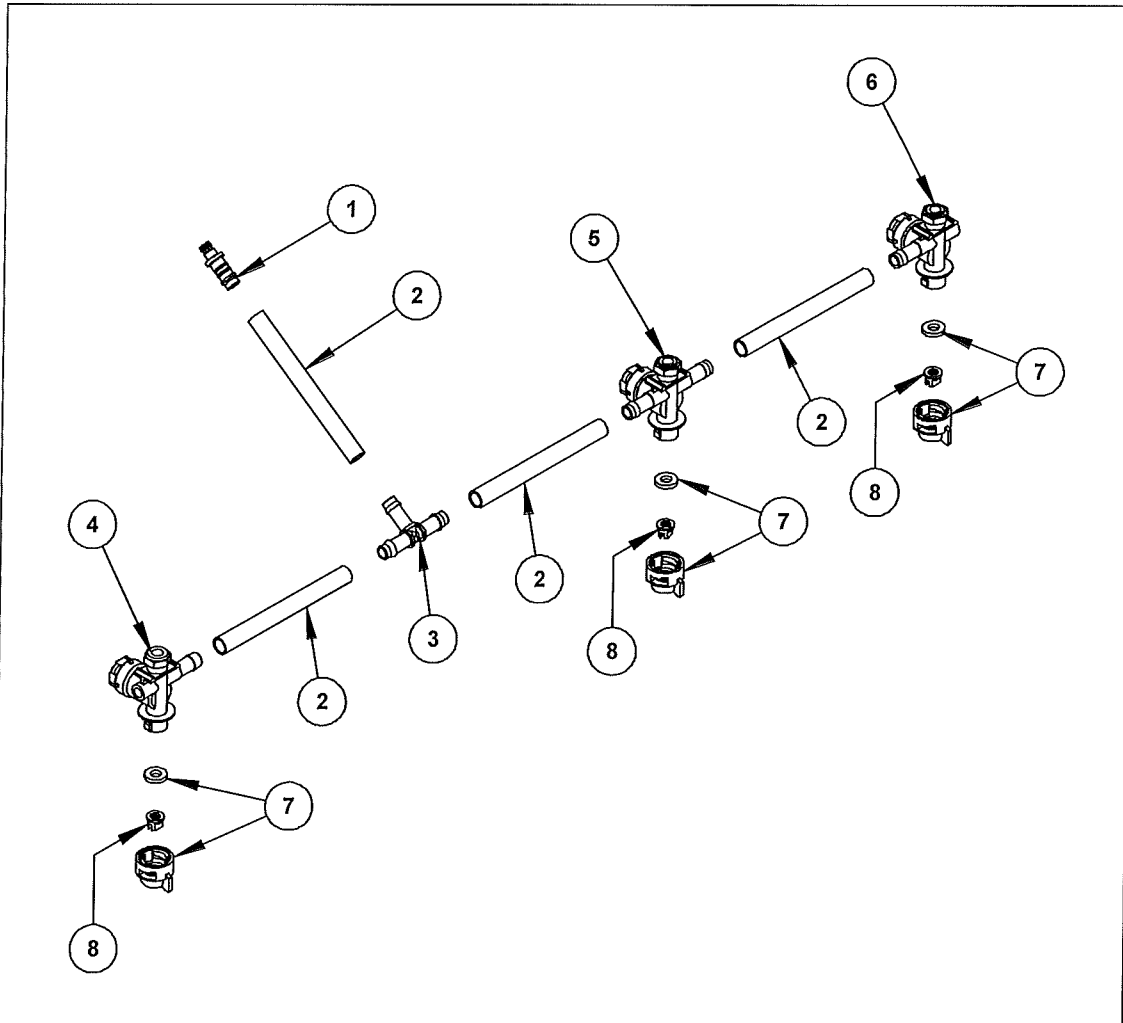


Figure 6 – Hi-Flo Nozzle-Bodies and Ancillaries

ITEM	PART NO.	DESCRIPTION
1	AL034	HOSE CONNECTOR, 12 mm, PLUG
2	CL064	PRESSURE HOSE, 1/2" *
3	BI038	TEE, (T12) 1/2"
4	CL049	NOZZLE BODY, SINGLE, RIGHT HAND
5	CL055	NOZZLE BODY, DOUBLE
6	CL048	NOZZLE BODY, SINGLE, LEFT HAND
7	CL046	NOZZLE CAP AND GASKET SET, YELLOW
8	CL047	SPRAY TIP, CERAMIC, (XR11004)

*State length required when ordering.

3 CONTROLLERS AND BACKPLATES

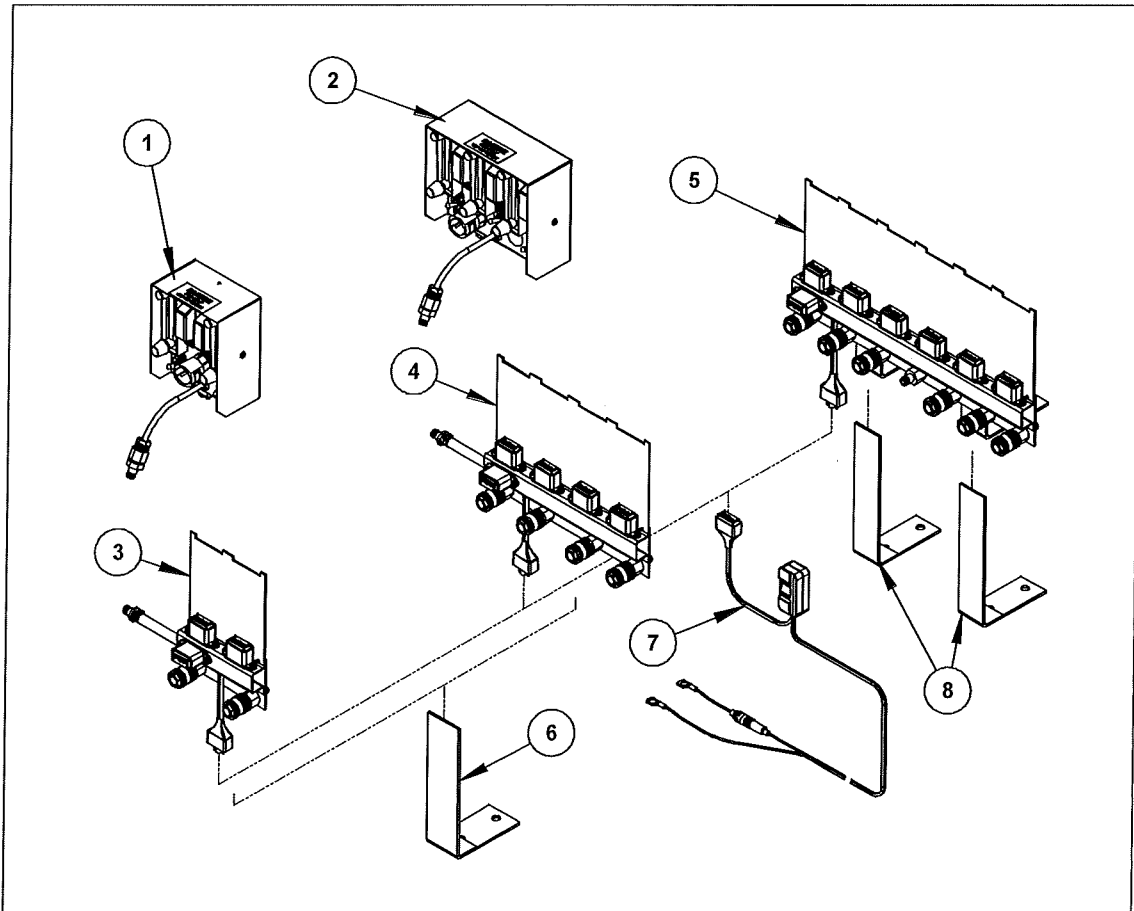


Figure 7 – Controllers and Backplates

ITEM	PART NO.	DESCRIPTION	REFER TO
1	AA247	CONTROLLER, LAMP TYPE, 2 WAY	Section 3.1
2	-	CONTROLLER, LAMP TYPE, 3 WAY	Section 3.1
3	AA240	BACKPLATE ASSEMBLY, 2 WAY	Section 3.2
4	AA243	BACKPLATE ASSEMBLY, 4 WAY	Section 3.2
5	AA242	BACKPLATE ASSEMBLY, 6 WAY	Section 3.2
6	ZC009	MOUNTING BKT, BACKPLATE 2 AND 4 WAY	
7	ZC020	POWER WIRE ASSEMBLY, BACKPLATE	Section 3.3
8	ZC009A	BACKPLATE MOUNTING BRACKET - 6 WAY	

3.1 Controller, Lamp Type, 2 and 3-Way

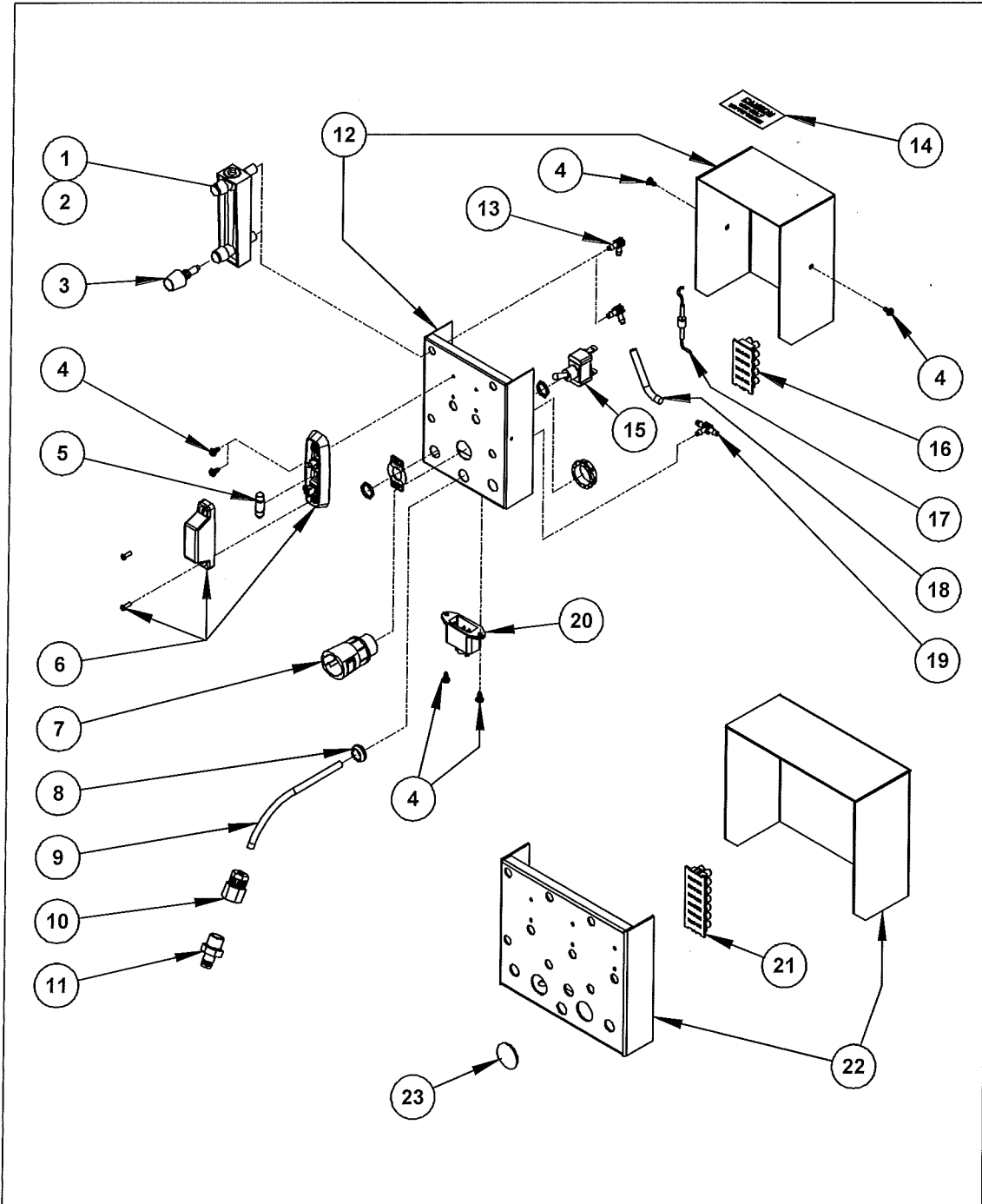


Figure 8 – Controller, Lamp Type, 2 and 3-Way

Controller, Lamp Type, 2 and 3-Way - Parts List

ITEM	PART NO.	DESCRIPTION
1	DI002	FLOWMETER, 30 LITRES PER HOUR
2	DI004	FLOAT, FLOWMETER
3	ZU039	TRIMMER FOR FLOWMETER DI002
4	UF048	SCREW, 6-20 X 3/8" ZPGT 25PCRTC SELF TAP
5	ST003	GLOBE, 12V 5W
6	ST004	LAMP ASSEMBLY
7	GE034	FITTING, 20 mm, STRAIGHT
8	MO006	GROMMET, 15.9 mm
9	ZC011	FEED TUBE (CONTROL BOX)
10	BI027	ADAPTER 1/4" X 6 mm
11	AL002	PLUG, 1/4" BSPT M (EXTERNAL THREAD)
12	RO004	ENCLOSURE, 2 WAY CONTROL BOX
13	BI017	ELBOW, EB4
14	CB006	LABEL, CAUTION 12V 5W
15	ST005	SWITCH, TOGGLE
16	ZE006	CONNECTOR BLOCK, 5 WAY
17	ZC010A	DIODE ASSEMBLY
18	BI040/50	FEED TUBE, 50 mm (2 WAY CONTROL BOX)
19	BI020	TEE, BARBED, 4 mm
20	ST030	PLUG, 3 PIN, S/M, COMPLETE
21	-	CONNECTOR BLOCK, 5 WAY
22	-	ENCLOSURE, 3 WAY CONTROL BOX
23	-	BUNG SEAL,
24	ZC010	WIRING LOOM, 2 WAY CONTROL BOX
25	-	WIRING LOOM, 3 WAY CONTROL BOX

3.2 Backplate Assemblies, 2, 4 and 6-Way

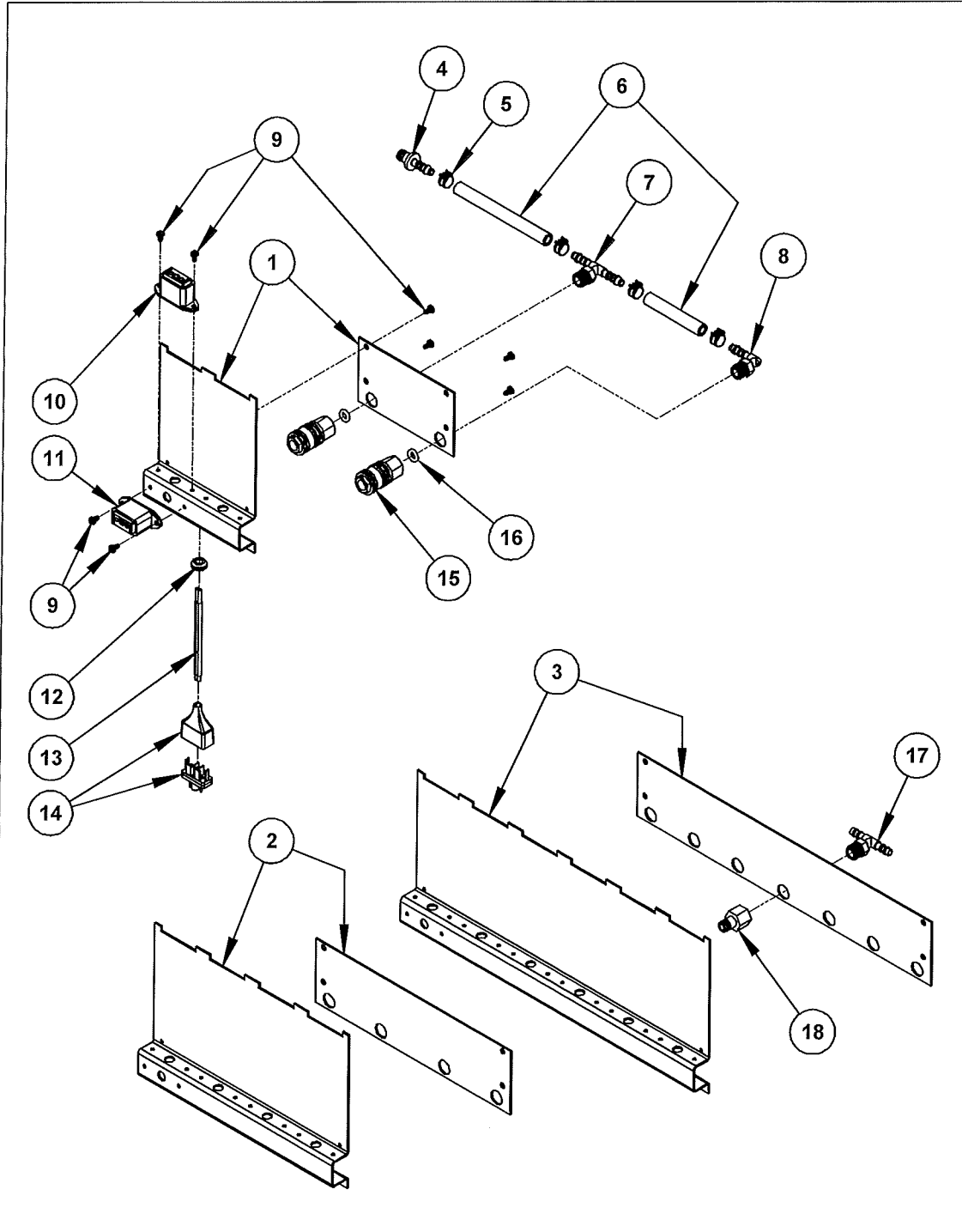


Figure 9 – Backplate Assembly, 2, 4 and 6-Way

Backplate Assembly, 2, 4 and 6-Way- Parts List

ITEM	PART NO.	DESCRIPTION
1	ZC025	SUB-FRAME, 2 WAY
2	ZC024	SUB-FRAME, 4 WAY
3	-	BACKPLATE SUB-FRAME, 6 WAY
4	AL012	HOSE CONNECTOR, PLUG
5	NH004	COBRA CLIP*
6	MT001	HOSE 6 MM X 115 MM
7	AL008	BRANCH TEE, 6 mm, MALE
8	AL009	ELBOW, 6 mm, MALE
9	UF048	SCREW, 6-20 X 3/8" ZPGT 25PCRTC SELF TAP
10	ST031	SOCKET, 3 PIN, S/M, COMPLETE
11	ST013	SOCKET, 2 PIN, S/M, COMPLETE
12	ST007	GROMMET
13	ZC022	BACKPLATE FEED WIRE
14	ST008	PLUG, 2 PIN (MALE), IN LINE
15	AL001	SOCKET, 1/4" BSPT F, Q/R
16	GB007	O-RING, 6 X 3
17	-	BRANCH TEE 6 mm (MODIFIED FROM AL008)
18	AL003	PLUG, 1/4" BSPT F, INTERNAL THREAD

*State length required when ordering.

3.3 Power Wire Assembly

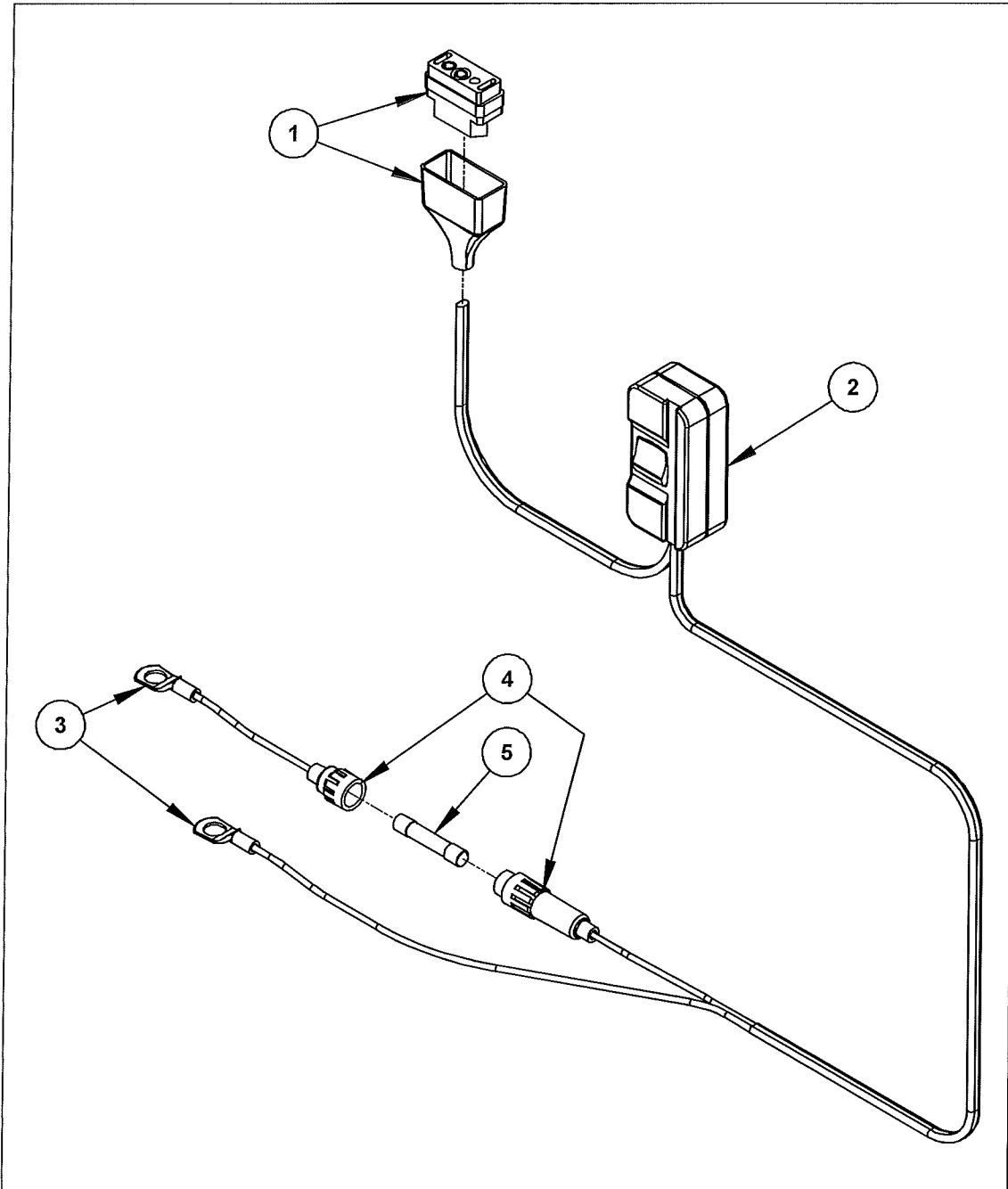


Figure 10 – Power Wire Assembly

Power Wire Assembly - Parts List

ITEM	PART NO.	DESCRIPTION	QTY.
1	ST009	SOCKET, 2 PIN, IN-LINE	1
2	GE035	SWITCH, IN-LINE	1
3	GE021	LUG	2
4	ST001	FUSE HOLDER	1
5	ST002	FUSE, 10A	1

4 MOUNTING COMPONENTS

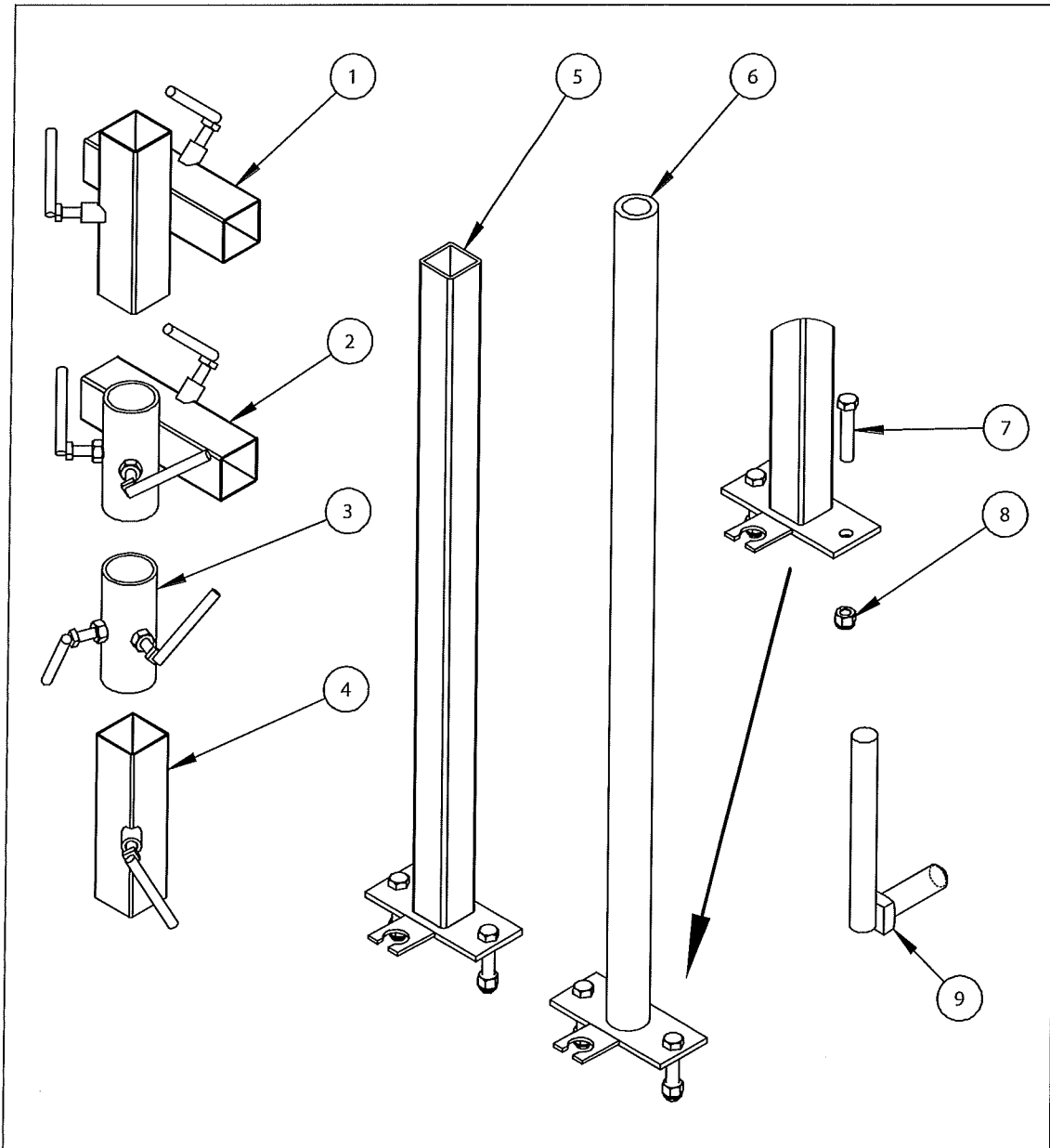
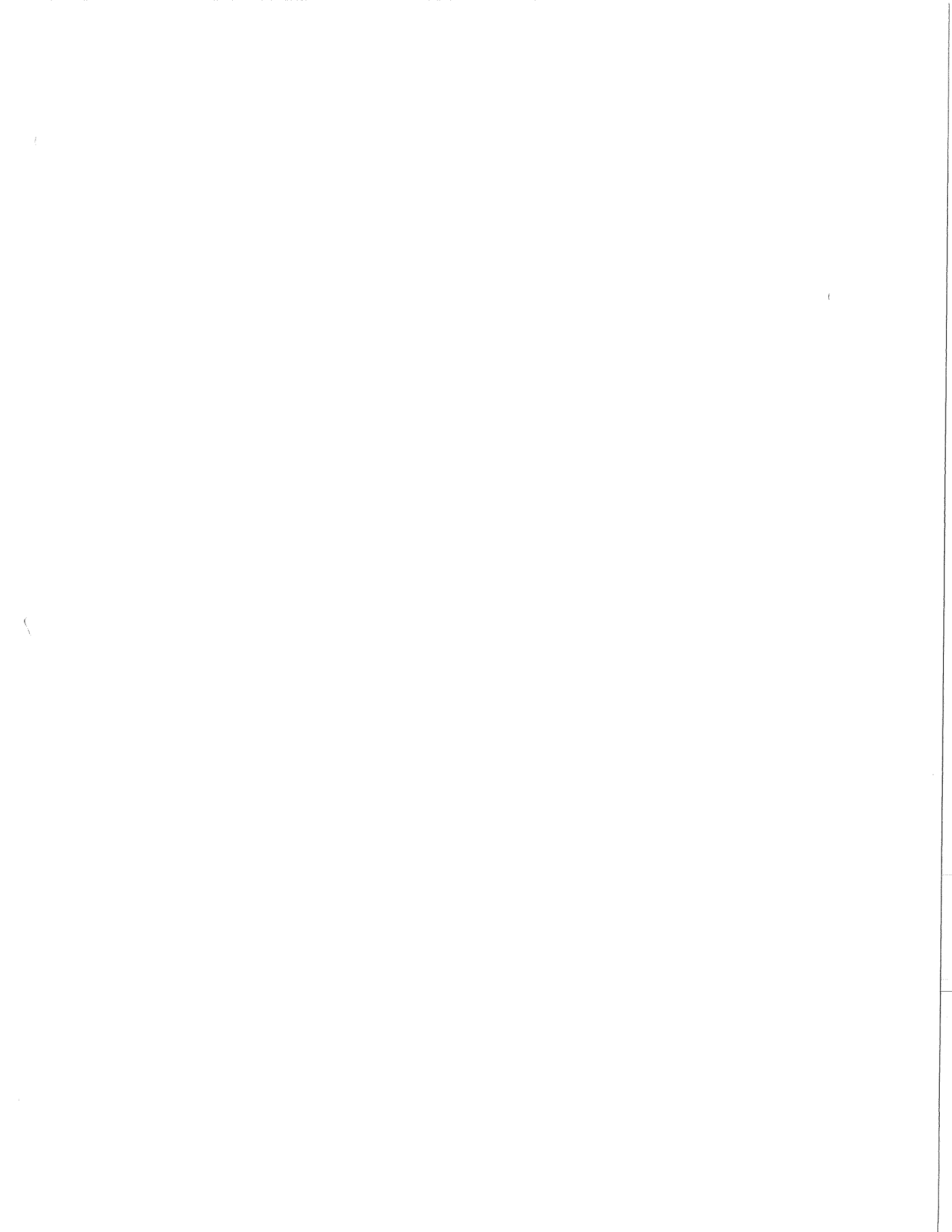


Figure 11 – Mounting Components

Mounting Components - Parts List

ITEM	PART NO.	DESCRIPTION
1	-	MOUNTING ADAPTER SQUARE TO SQUARE
2	-	MOUNTING ADAPTER SQUARE TO ROUND
3	ZS029	MOUNTING SLEEVE, ROUND
4	-	MOUNTING SLEEVE, SQUARE
5	ZS077	VERTICAL MOUNTING TUBE, SQUARE
6	ZS024	VERTICAL MOUNTING TUBE, ROUND
7	UF021	BOLT, 3/8" X 2"
8	UF029	NUT, 3/8" BSW, NYLOC BZP
9	ZU015	CLAMP BOLT

NOTES



Copyright © Micron Sprayers Ltd. 2013

General Enquiries:

Micron Group
Bromyard Industrial Estate,
Bromyard, Herefordshire,
HR7 4HS, U.K.

T +44 (0)1885 482397

F +44 (0)1885 483043

E enquiries@micron.co.uk

Australian Enquiries:

Micron Group
P.O. Box 1246, Berri 5343,
South Australia
T +61 (0)8 8582 4077
E enquiries@enviromist.com.au

www.micron.co.uk

 MICRON GROUP