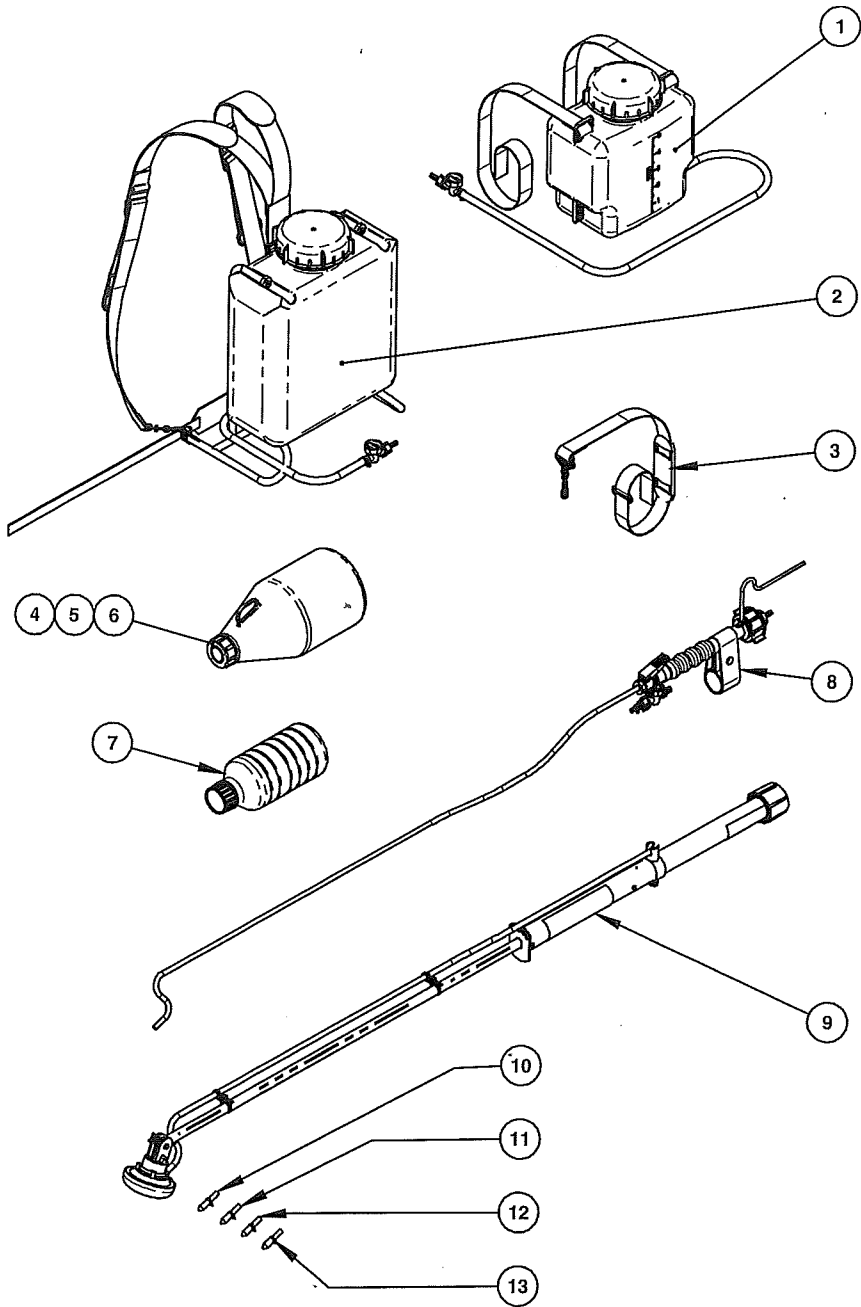


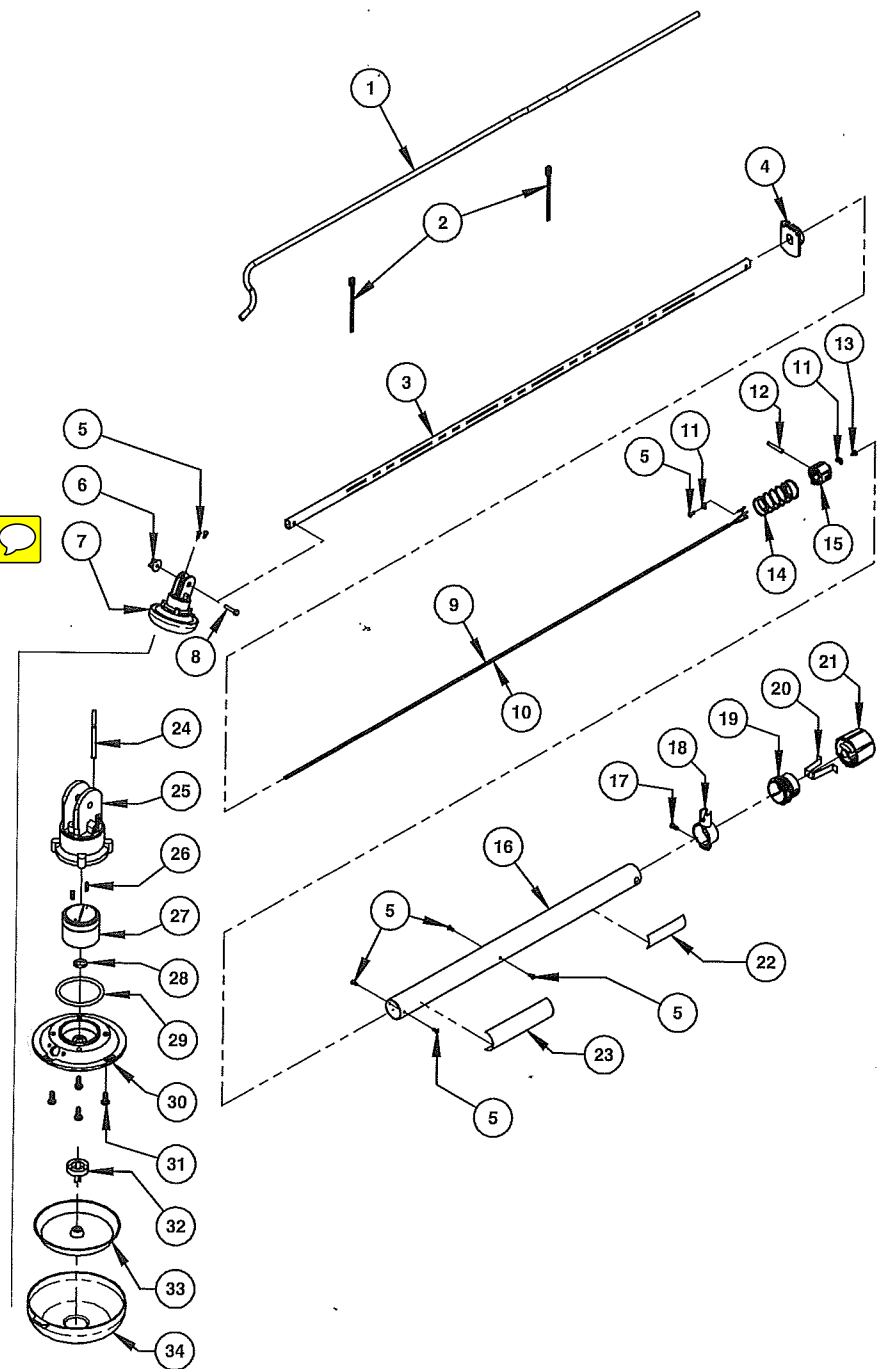
# HERBI 4 AND ACCESSORIES



# HERBI 4 AND ACCESSORIES - PARTS LIST

ITEM	PART No.	DESCRIPTION
1	5404A (page 22)	MICROPACK 5L BACKPACK
2	5207A (page 24)	MICROPACK 10 LITRE BACKPACK
3	5107C	SHOULDER STRAP
4	4390	BOTTLE, 2.5L HDPE
5	4489	CAP, BOTTLE 2.5L
6	5353	WAD SEAL, BOTTLE 2.5L
7	5836	BOTTLE, PET 1L WITH CAP
8	HB4/018 (page 20)	HANDLE VALVE CONVERSION ASSEMBLY
9	(page 14)	HERBI 4 STANDARD COMPONENTS
10	5038	FEED NOZZLE BLUE
11	5041	FEED NOZZLE RED
12	5040	FEED NOZZLE ORANGE
13	5039	FEED NOZZLE YELLOW

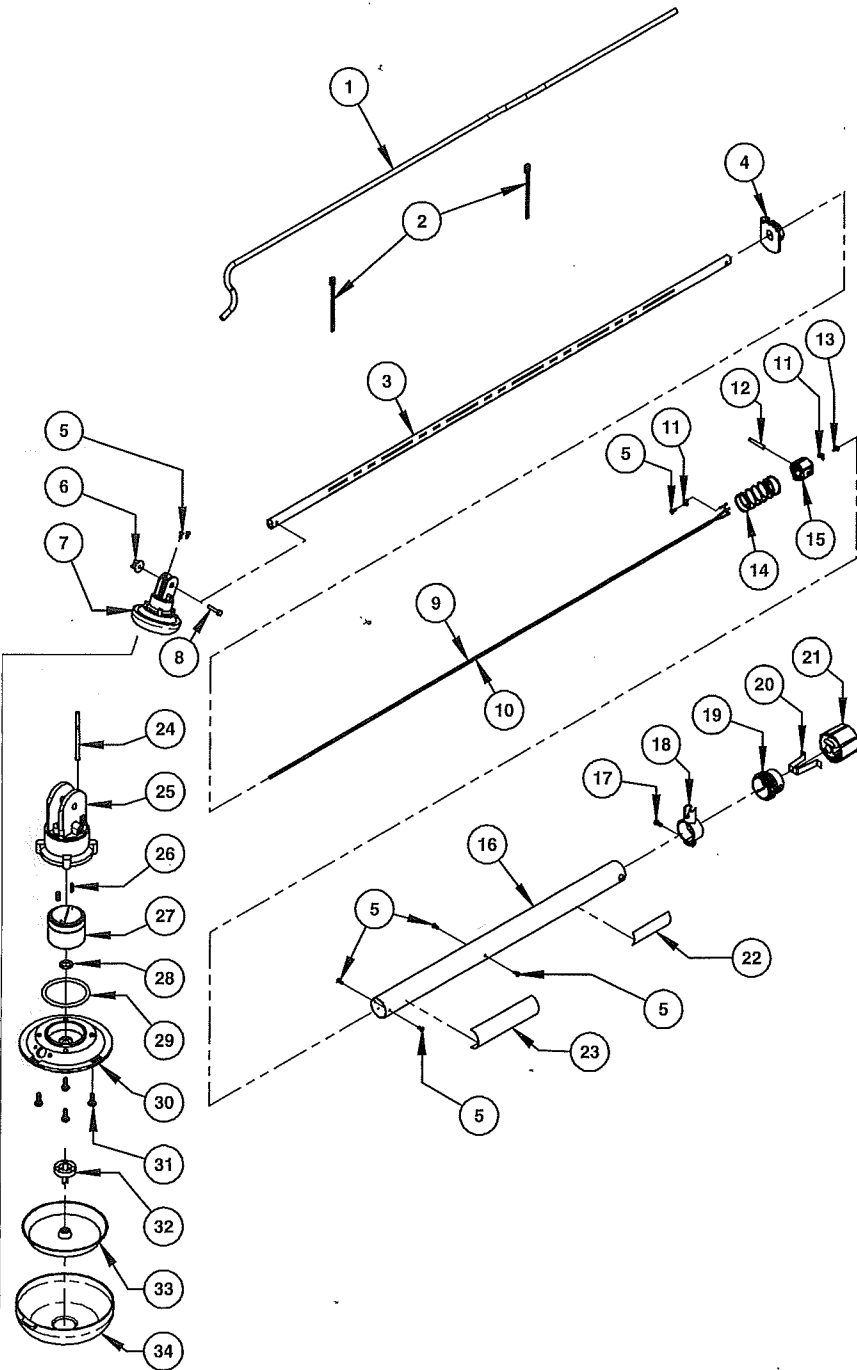
## HERBI 4 STANDARD COMPONENTS



## HERBI 4 STANDARD COMPONENTS - PARTS LIST

ITEM	PART No.	DESCRIPTION	QTY.
1	4993	TUBE 6MM ID X 9MM OD - PVC	1.2 m
2	7831	CABLE TIE	2
3	5446	EXTENSION TUBE	1
4	5376	BATTERY CASE END CAP	1
5	5399	SCREW, S/T NO.6X3/8" PZ PAN HD. B	7
6	4907	WING NUT	1
7	HB4_101	HERBI 4 ATOMISER HEAD ASSEMBLY	1
8	5029	SCREW M5	1
9	4368	WIRE, 1.0 MM, RED - PER METRE	1.25 m
10	4134	WIRE, 1.0 MM, BLACK (PER METRE)	1.3 m
11	5575	RING TERMINAL	2
12	4447	SPRING HOLDING PIN	1
13	4646	SCREW, S/T NO.6X3/8" PZ. FL.HD. AB	1
14	5363	BATTERY SPRING	1
15	5375	CENTRE CONNECTOR	1
16	5447	BATTERY CASE	1
17	5956	SCREW, M5X12 PT	1
18	5780	VALVE CLAMP	1
19	7465	SCREW SWITCH SLEEVE	1
20	7495	CONNECTOR, SCREW SWITCH	1
21	7464	SCREW SWITCH PLUG	1
22	8621	LABEL BATTERY	1
23	8673	LABEL HERBI 4	1

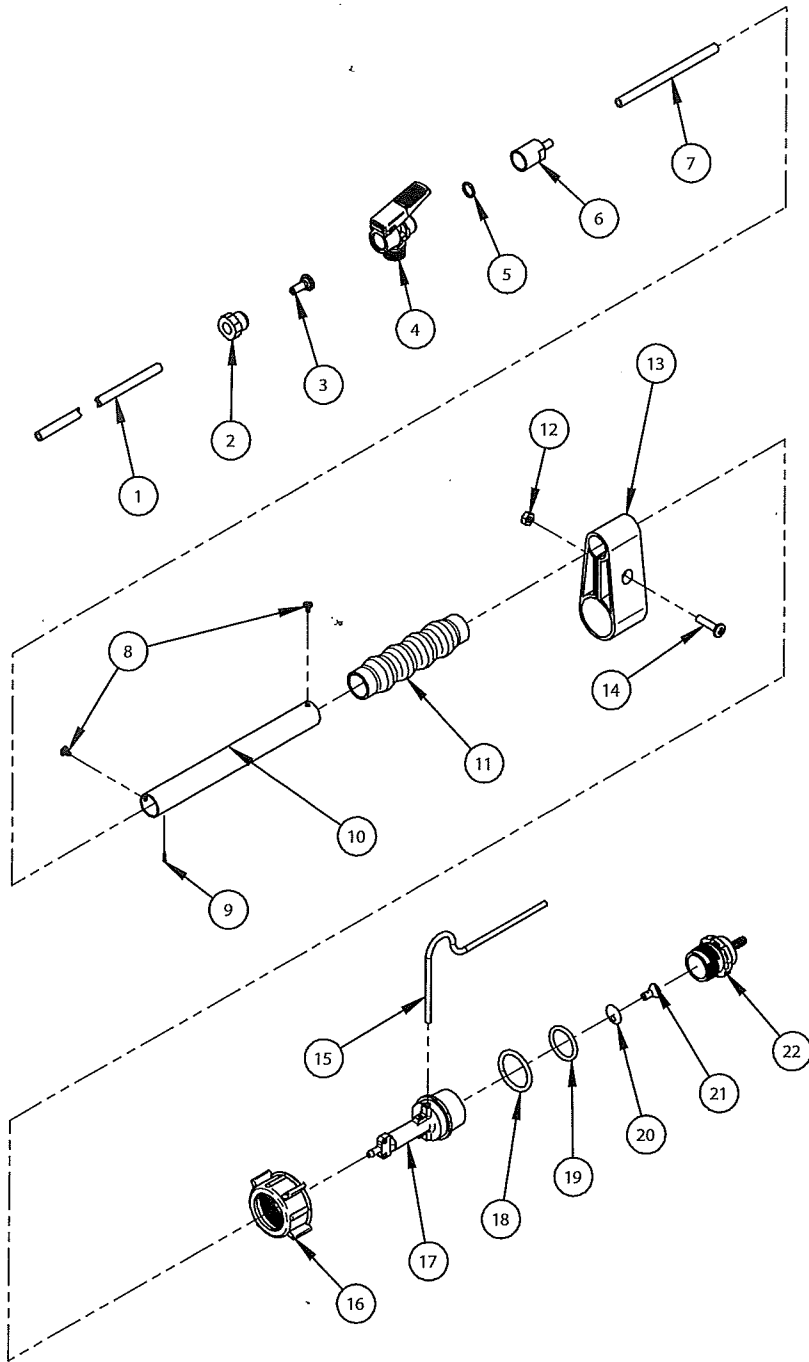
HERBI 4 STANDARD COMPONENTS (continued)



HERBI 4 STANDARD COMPONENTS - PARTS LIST (continued)

ITEM	PART No.	DESCRIPTION	QTY.
24	3512	AIR VENT TUBE - 0.15M	0.15 m
25	6125	MOTOR HOUSING	1
26	4457	SPRING	2
27	5442	MOTOR, HERBI & HANDY	1
28	7289	O RING, BS 121 VITON	1
29	5455	O RING, BS 121 VITON	1
30	5424	FRONT PLATE	1
31	5399	SCREW, S/T NO.6X3/8" PZ PAN HD. B	4
32	5022	DUMMY SHAFT	1
33	5021	ATOMISER DISC	1
34	4462	ATOMISER PROTECTIVE COVER	1

# HERBI 4 VALVE HANDLE CONVERSION ASSEMBLY



# HERBI 4 VALVE HANDLE CONVERSION ASSEMBLY - PARTS LIST

ITEM	PART No.	DESCRIPTION	QTY.
1	4309	TUBE 8 MM OD X 5 MM ID	1.21 m
2	5102	NUT, UNION	1
3	5088	HOSE CONNECTOR, VALVE	1
4	4917	VALVE, TRIGGER	1
5	5272	O-RING BS1806-013 10.82 X 1.78	1
6	6770	ADAPTER, VALVE HANDLE	1
7	4309	TUBE 8 MM OD X 5 MM ID	0.12 m
8	3456	SCREW, NO.6 X 1/4"	2
9	5463	PIN 1MM X 10MM LONG	1
10	5480	HANDLE	1
11	5479	GRIP, HANDLE	1
12	3691	NUT M6, PLAIN	1
13	5456	HANDLE BRACKET	1
14	5481	SCREW M6X25MM POZI PAN HD	1
15	3374	TUBE 3/16" O.D., NYLON	0.4 m
16	4940	BOTTLE SECURING CAP	1
17	5482	BOTTLE HOLDER	1
18	5148	O-RING	1
19	5111	O-RING BS1806-013 26.57X 3.53	1
20	5037	FILTER	1
21	5063	AIR BLEED DEFLECTOR	1
22	5087	CONNECTOR, BACKPACK	1

# MICROPACK 5 LITRE BACKPACK

# MICROPACK 5 LITRE BACKPACK - PARTS LIST

ITEM	PART No.	DESCRIPTION	QTY.
1	5107_125	STRAP	2
2	5208A	CAP ASSEMBLY	1
3	5449	FILTER BOWL	1
4	5404	BACKPACK, 5 LITRE	1
5	5464	CLIP NO. 12	1
6	5414	HOSE 8.0 I.D X 12.0MM O.D	0.9 m
7	6029	CLIP 11.9MM HOSE SELF TIGHTENING	1
8	5776A	TAP ASSEMBLY	1
9	5778	HOSE CONNECTOR 6MM	1
10	5779	UNION NUT	1

