

Fitting the spray bottle

To fit the bottle to the POWERPACK, fill the bottle to the required level and place it on a level surface.

Fit the POWERPACK into the bottle (1) ensuring that the bottle handle (3) is in line with the flow control valve (4).

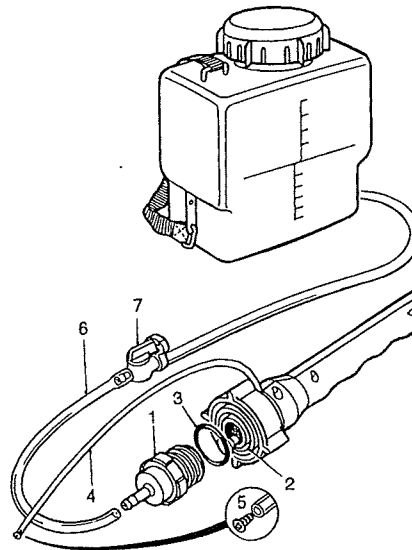
Tighten the bottle securing cap (2) and pass the air bleed tube (5) through the bottle handle (3). This is important to ensure that the air bleed system functions correctly.

Fitting a backpack

Instructions on assembling the Micron *Micropak* backpacks are contained in the tanks.

Screw the backpack connector (1) into the bottle holder (2) ensuring the 'O' ring (3) is in place. Seal the air vent tube (4) with the screw provided (5) to prevent liquid leaking from the tube. The screw **must** be removed from the air vent tube if using the 5 pint bottle.

Fit the tube (6) to the in-line siphon tap (7). Then fit the tube to the hose barb on the backpack connector (1).



Flow control

To open the flow control valve press the lever (1) down for treating small areas. For continuous spraying press the lever down and forward into the locked position (2). To close the flow control valve and stop the liquid flowing, pull back the lever and release. N.B. For safety in transit, the valve can be locked in the off position by slightly raising the lever and then sliding it forward (3).

