

## 2.5 Power Wire Assembly (ZC020)

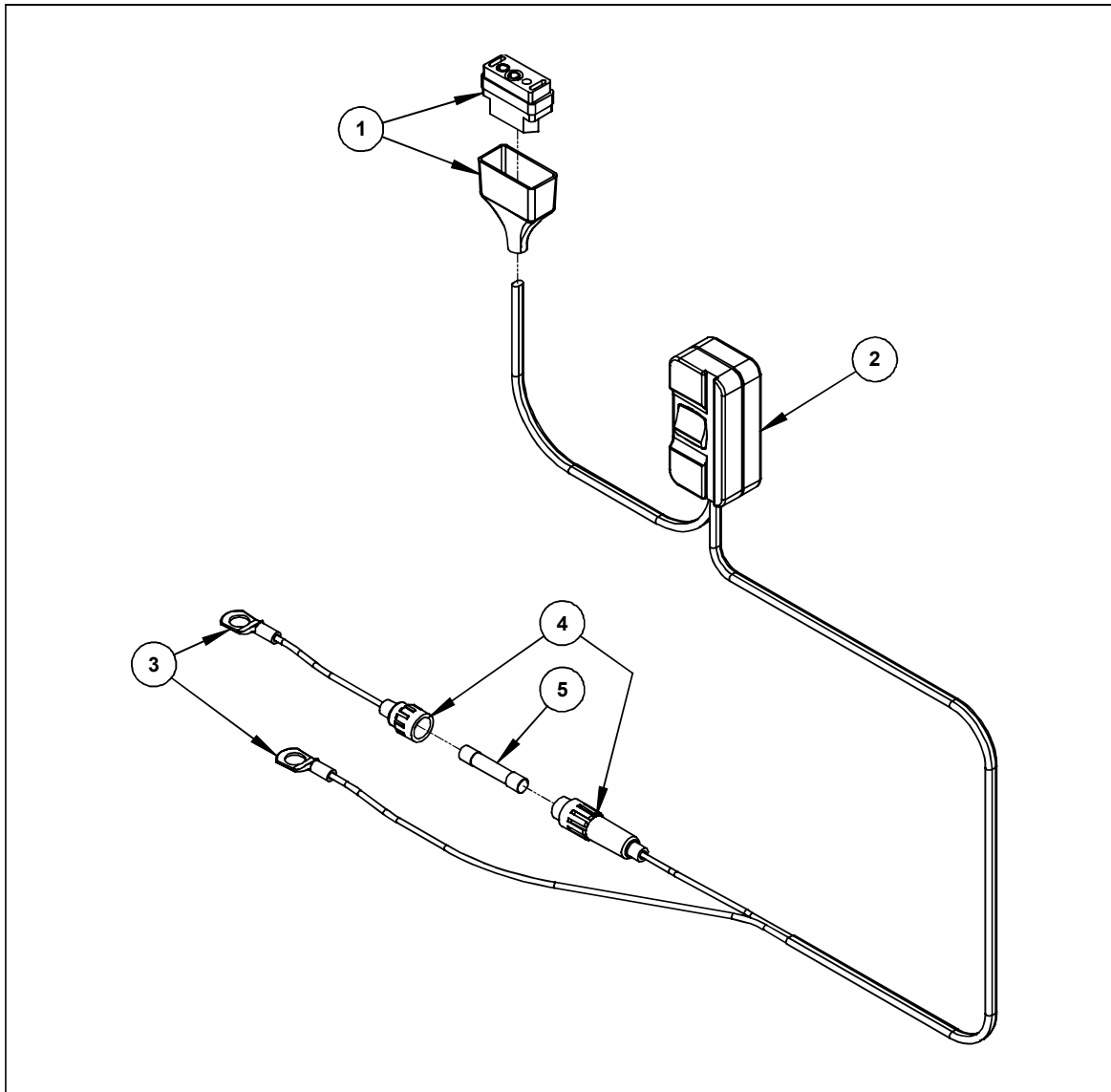


Figure 26 – Power Wire Assembly

ITEM	PART NO.	DESCRIPTION	QTY.
1	ST009	SOCKET, 2 PIN, IN-LINE	1
2	GE035	SWITCH, IN-LINE	1
3	GE021	TERMINAL LUG 8 MM	2
4	GE036	FUSE HOLDER	1
5	ST002	FUSE, 10A	1