

Use for 2009 - specify rigid or folding machine

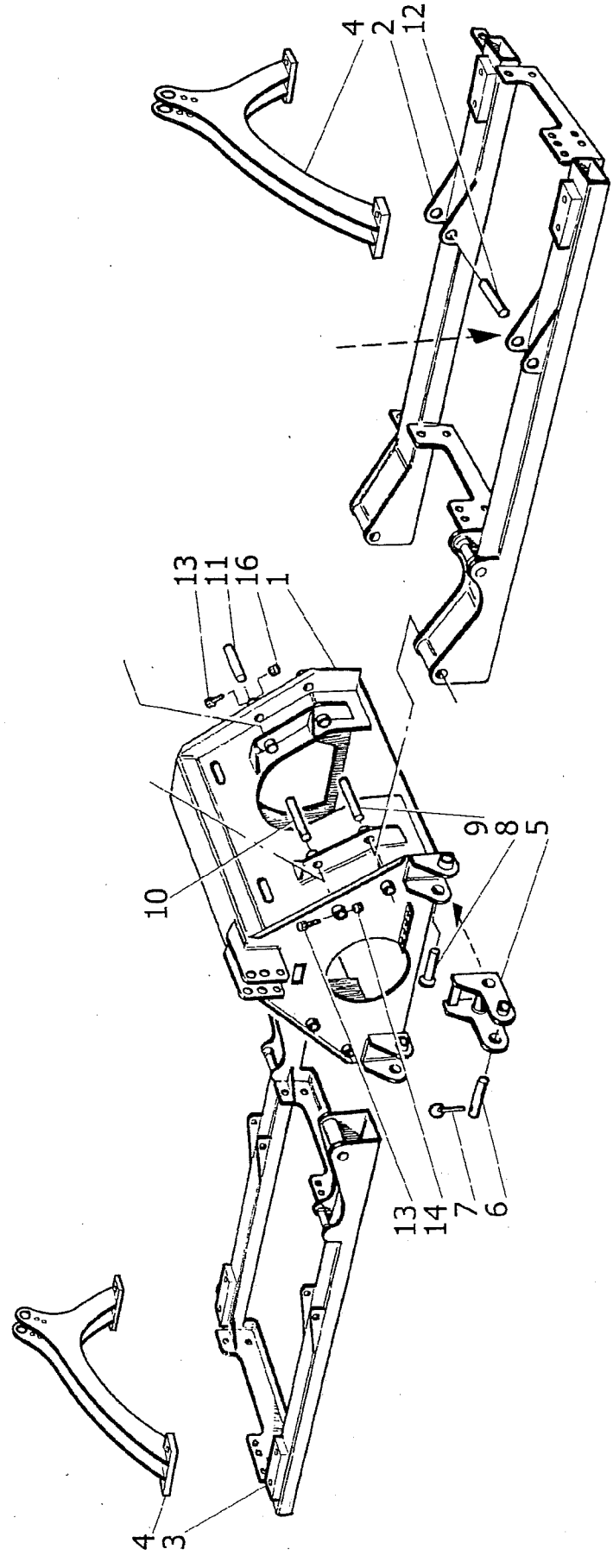
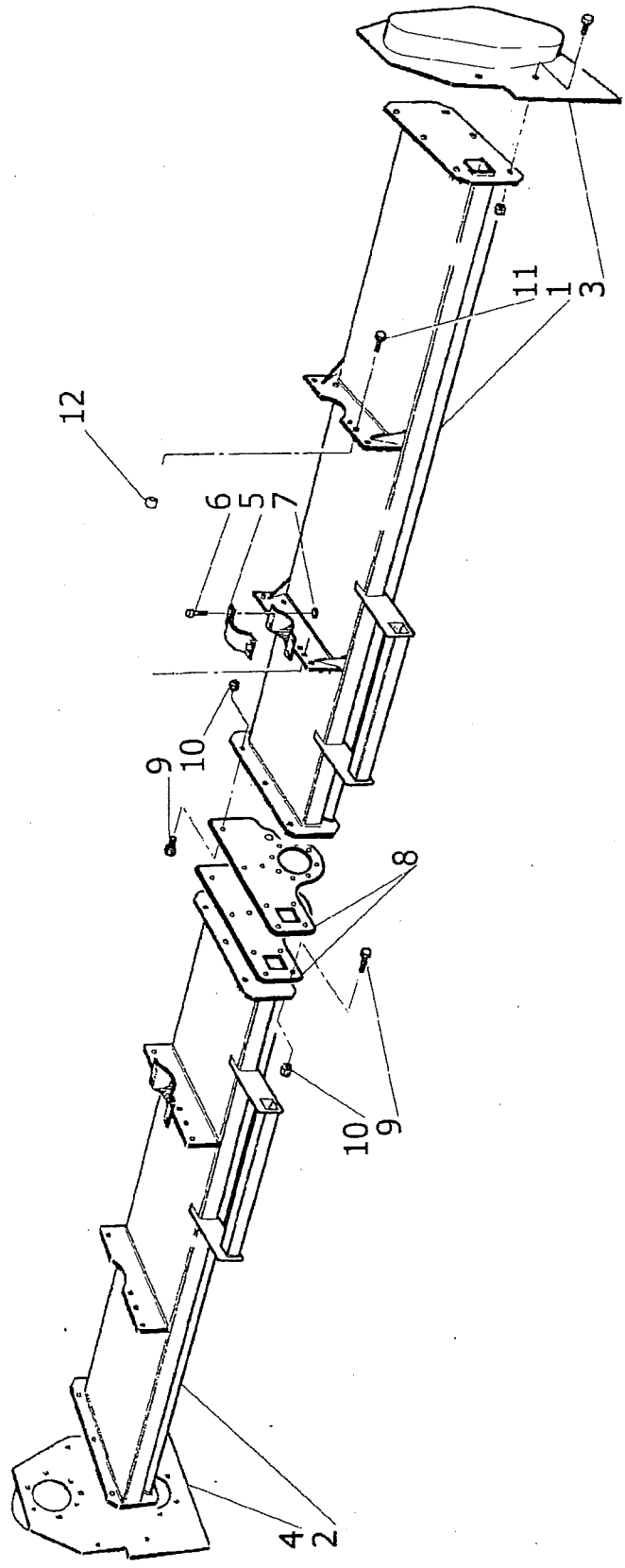
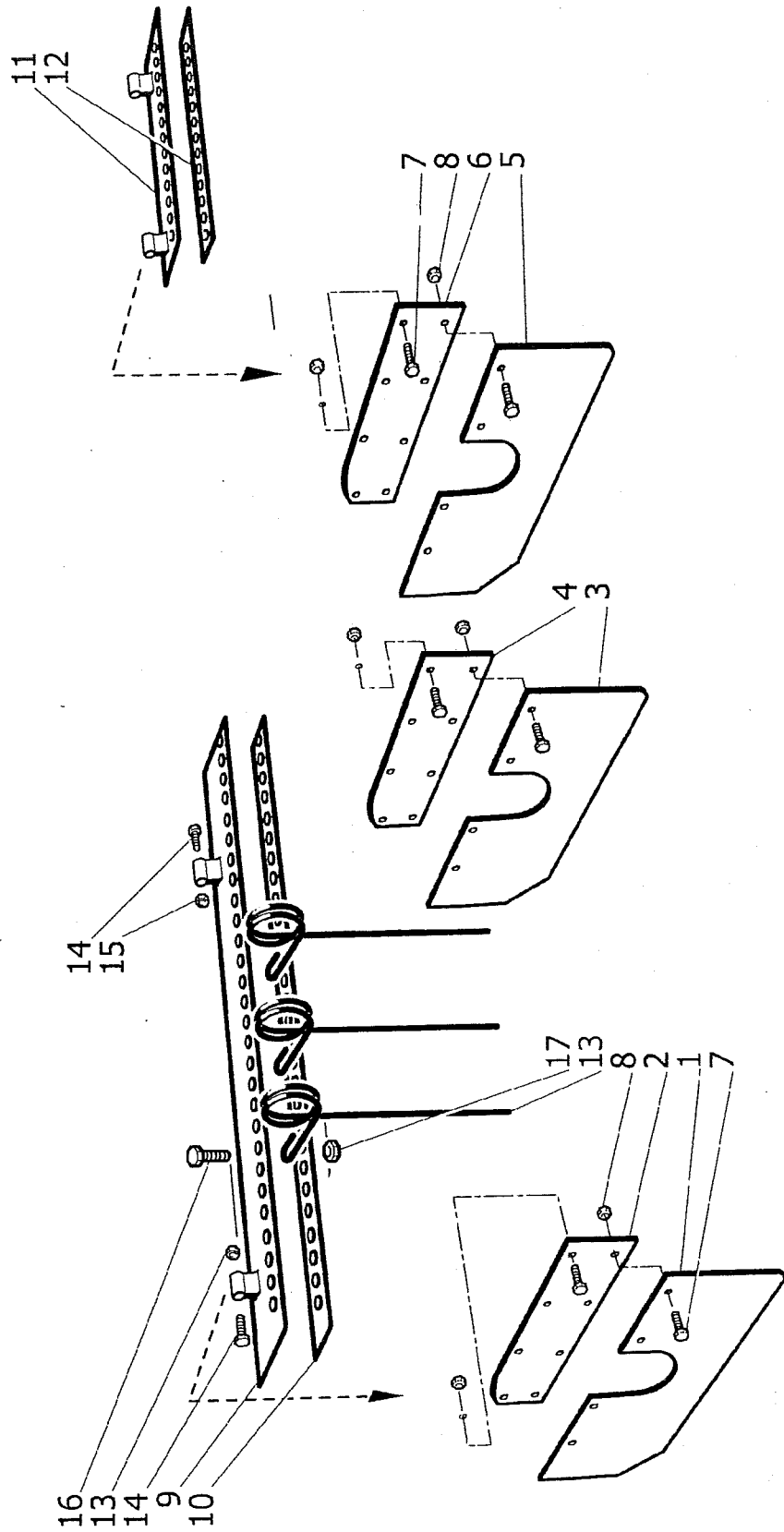


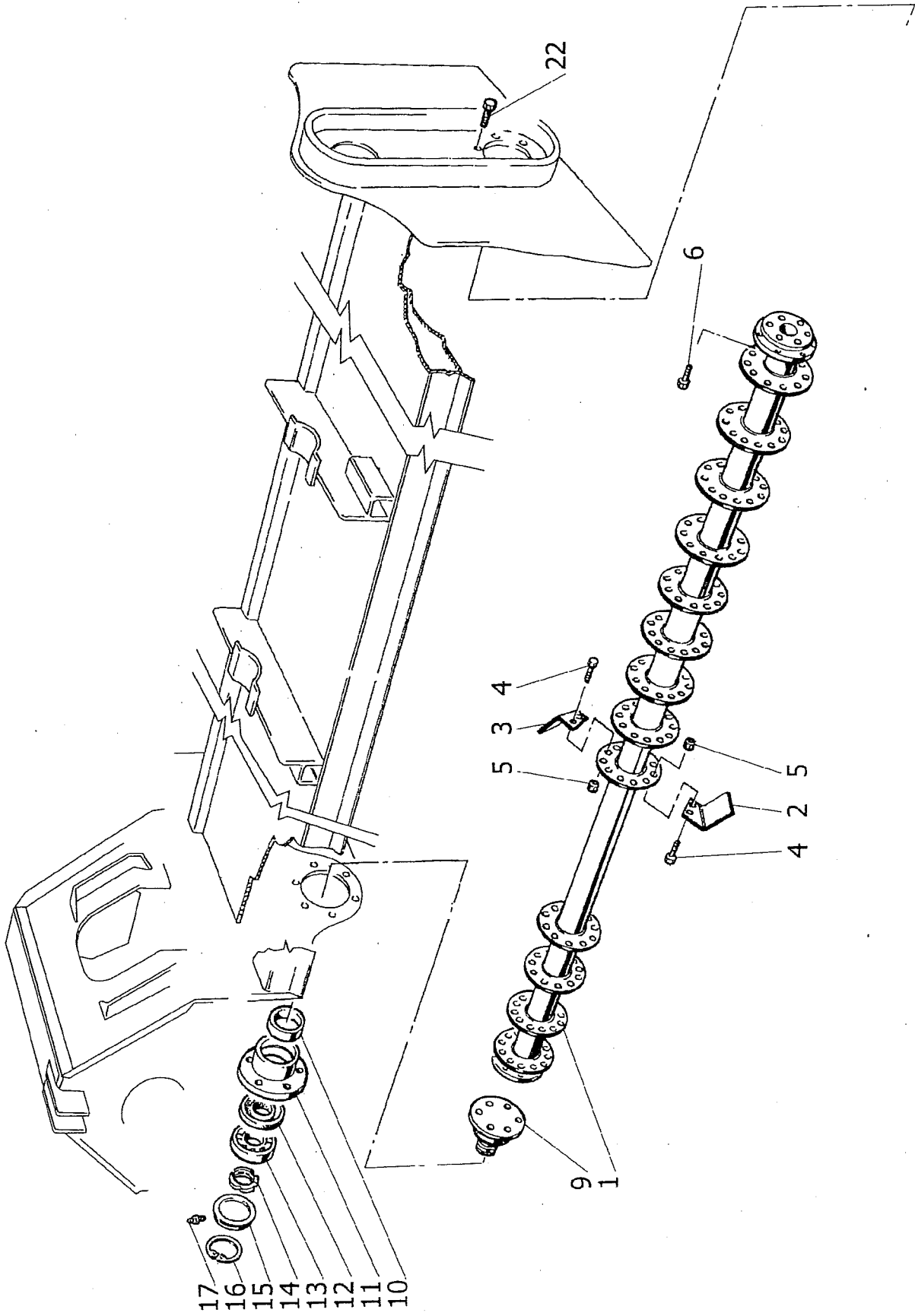
FIG. 1



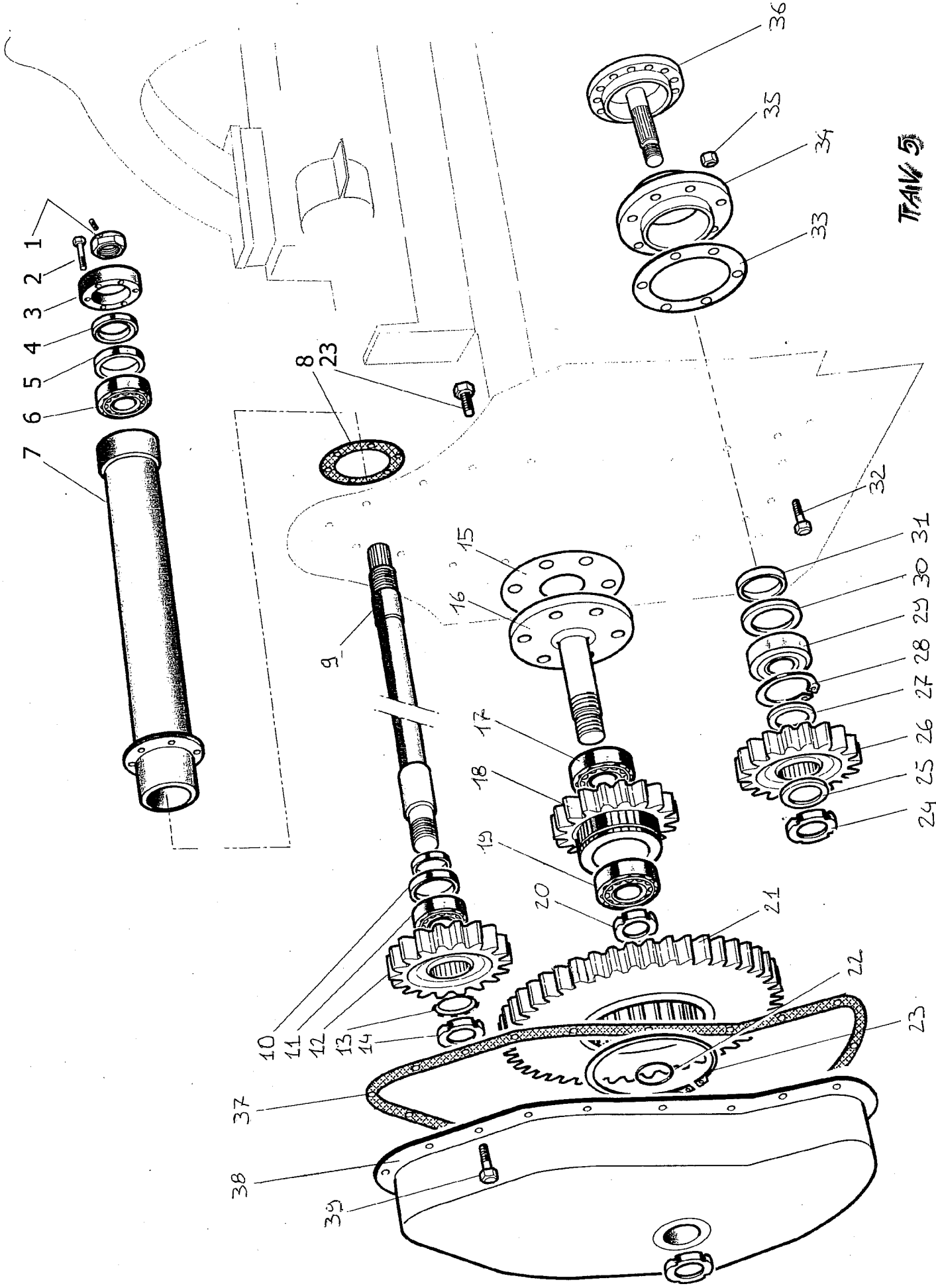
TANK 2



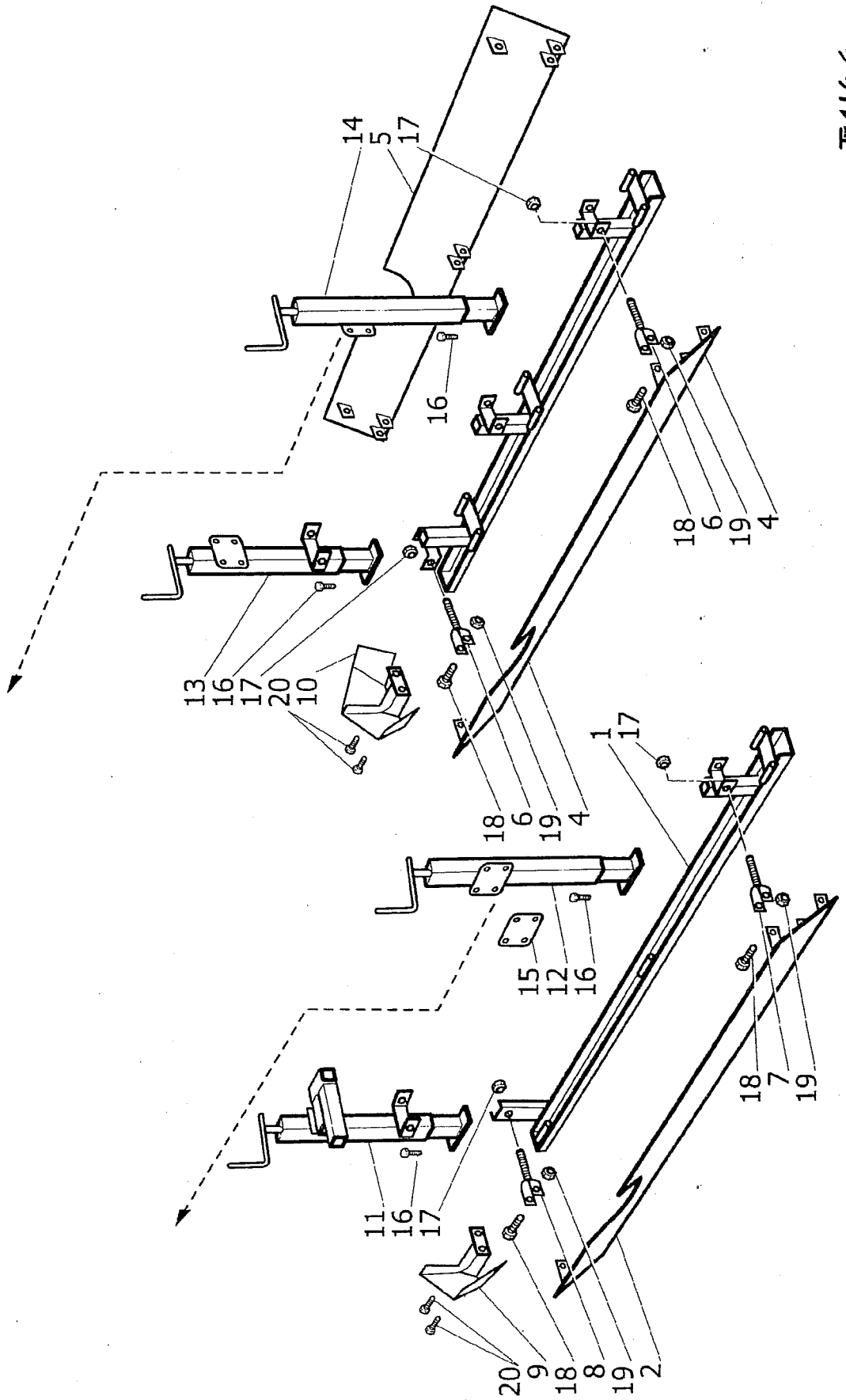
TRAV 3



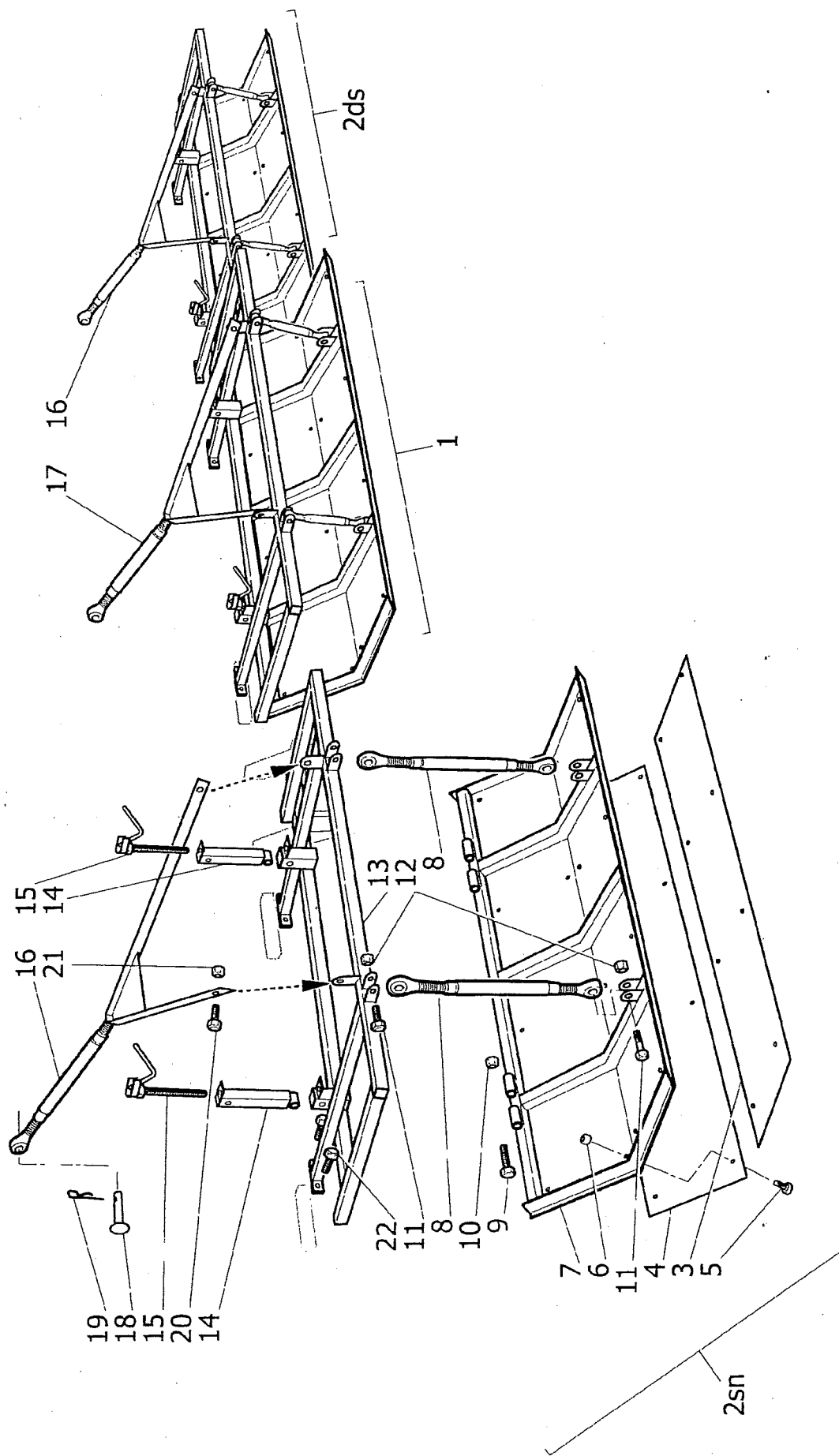
TRAV 48



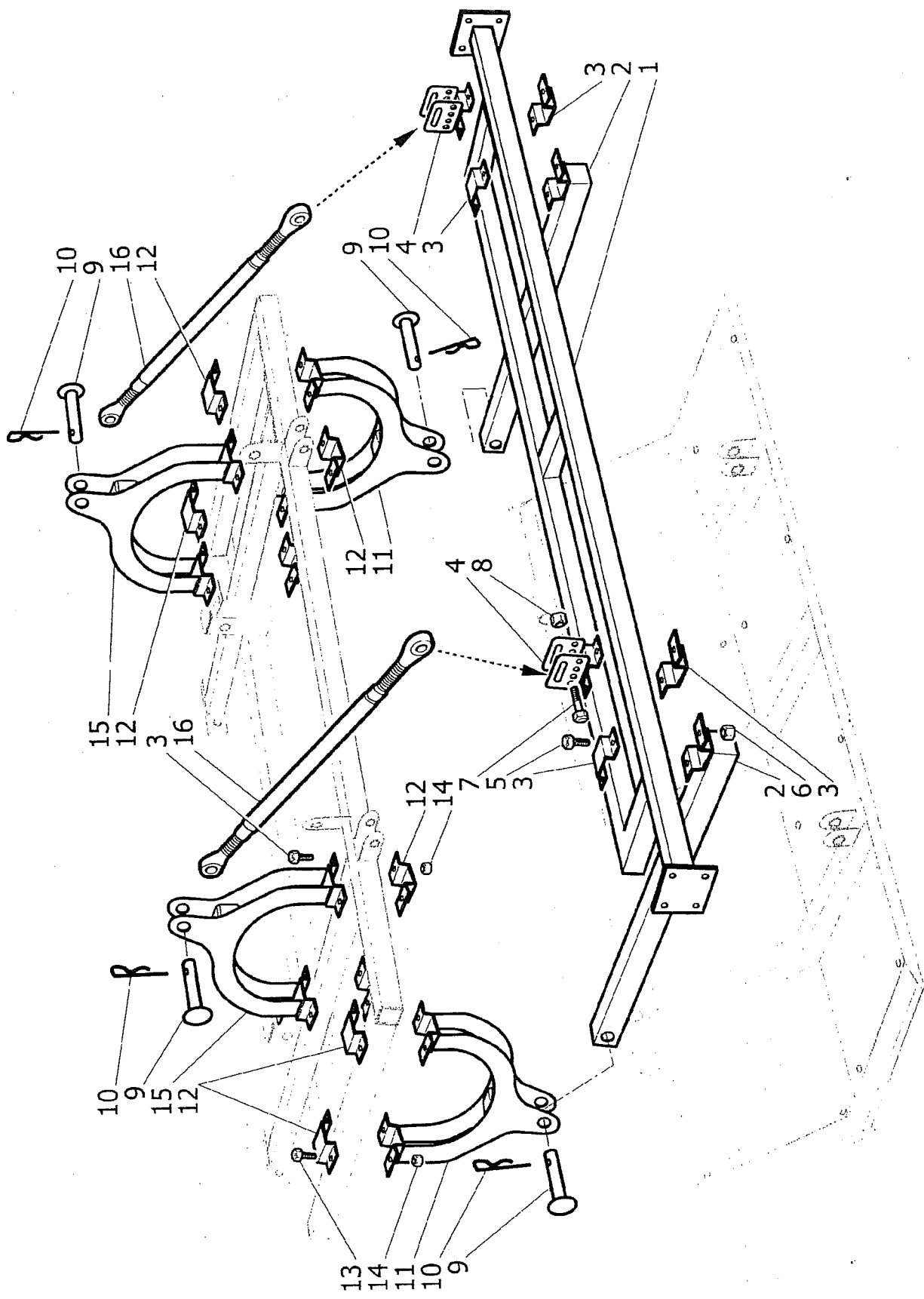
TANK 5



TANK 6

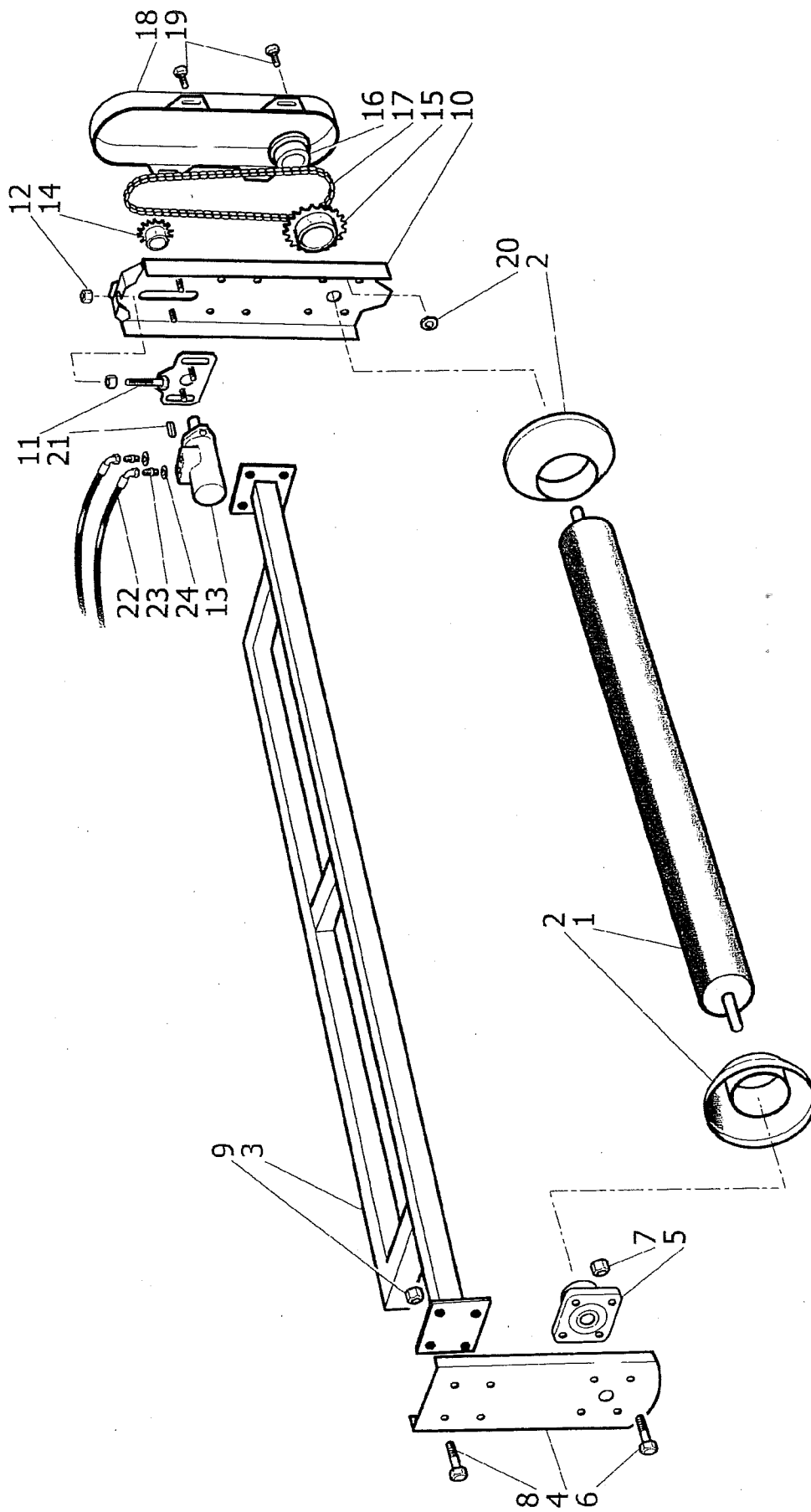


TRAM 77

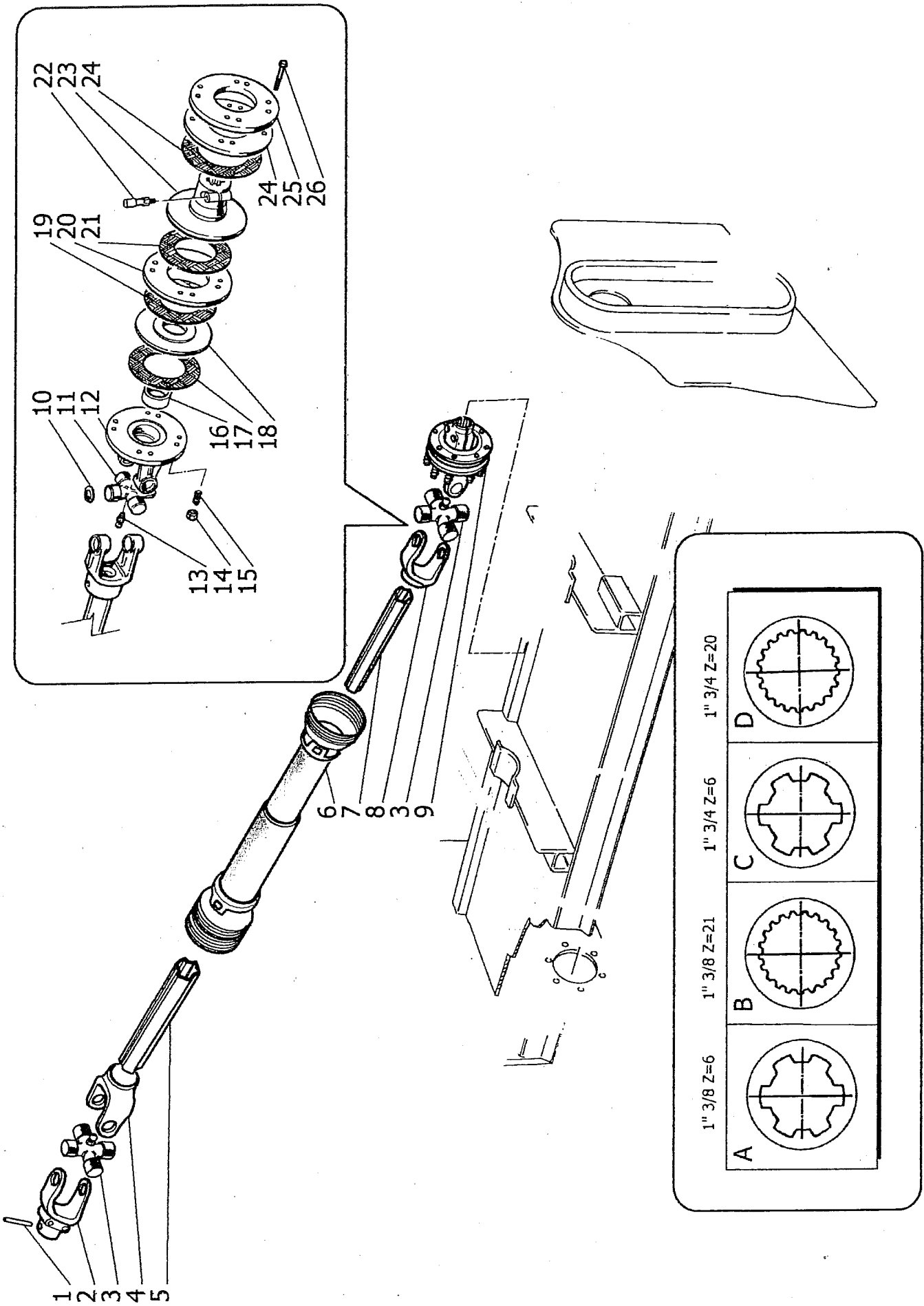


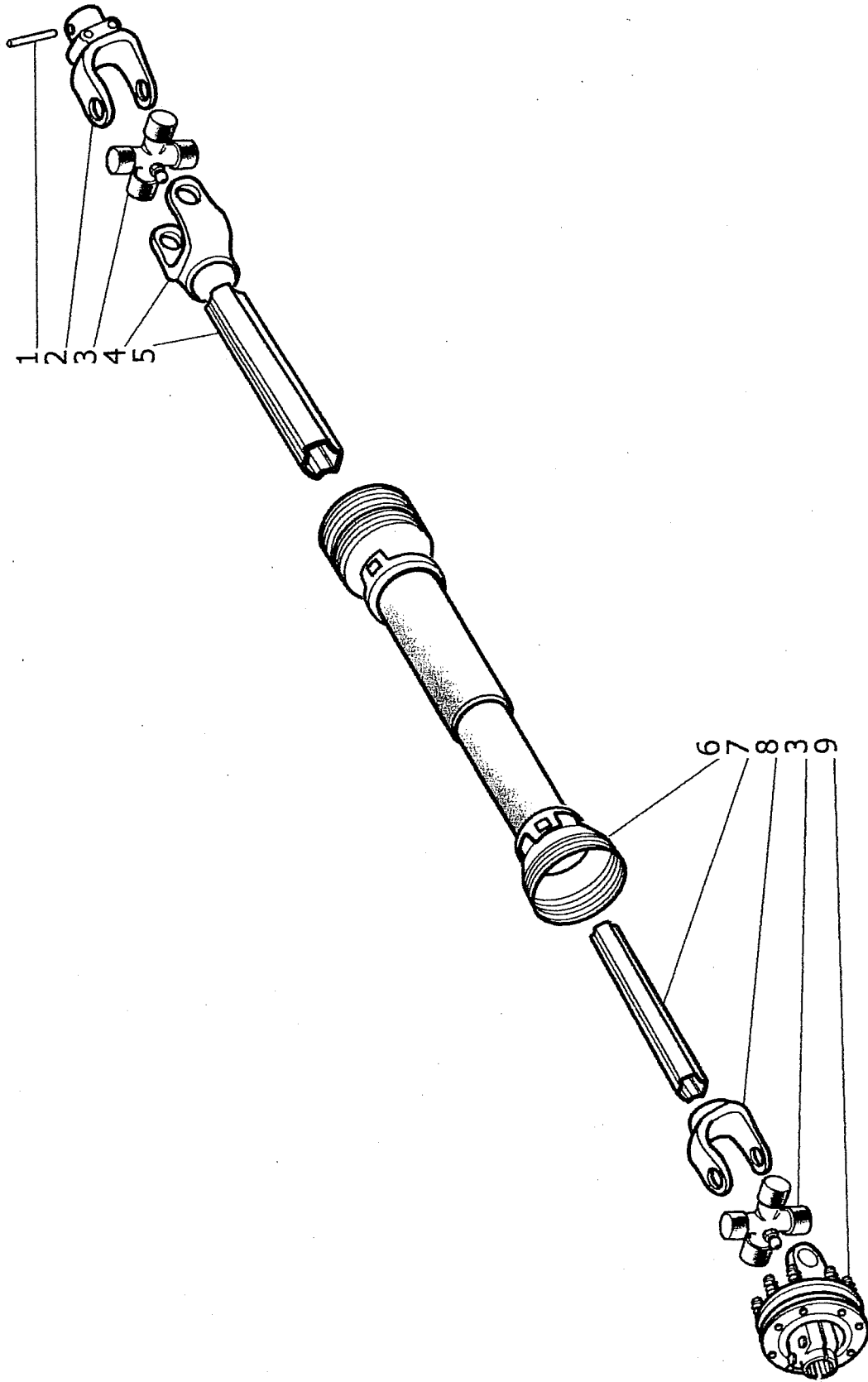
TRAIN 81



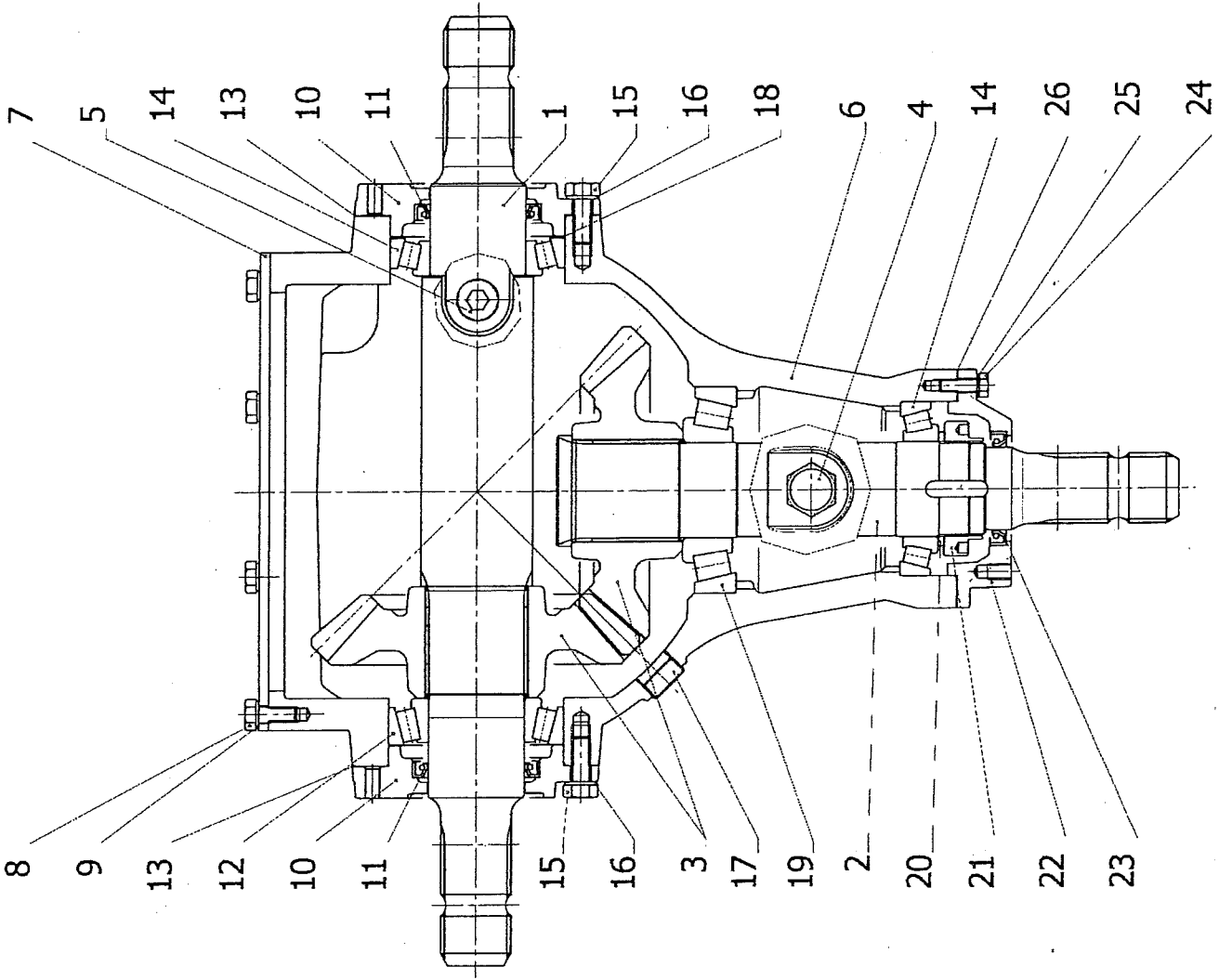


TRAW 9

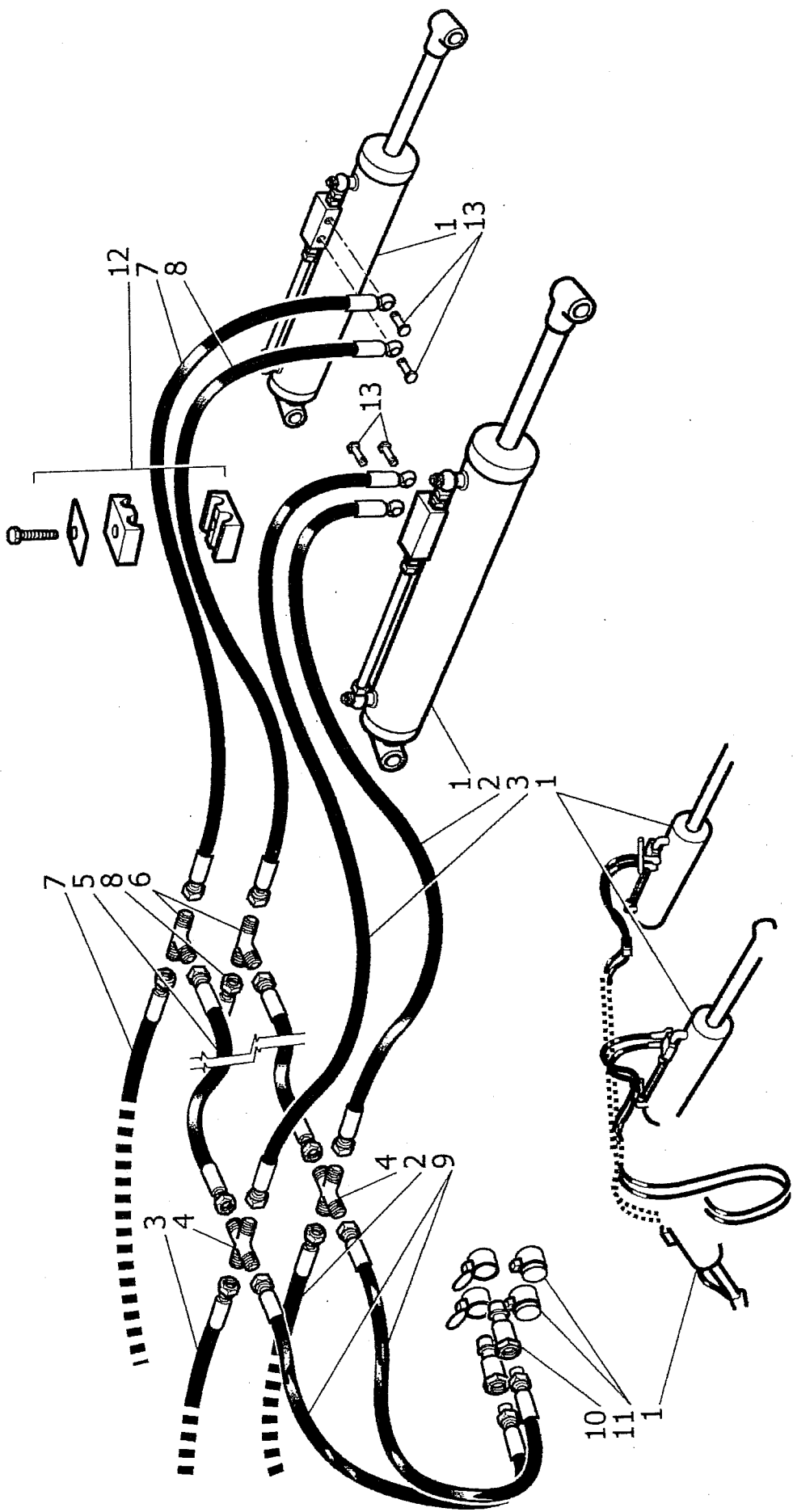




TAV. 11



TAV. 12



TAV. 13