

INSTRUCTION MANUAL

CE



PLASTIC MULCH EXTRACTOR

M.O.M.
MORETTO OFFICINE MECCANICHE

M.O.M. Moretto Officine Meccaniche S.R.L.
Via Villafontana, 137 – 37050 Villafontana di Oppeano (VR)
Tel +39 045.7146086
www.momofficine.it – info@momofficine.it

Rev. 00-01/2023

DECLARATION OF CONFORMITY



The Manufacturer:



M.O.M. Moretto Officine Meccaniche S.R.L.
Via Villafontana, 137 – 37050 Villafontana di Oppeano (VR)
Tel +39 045.7146086

Declares that the new machine:

TYPE:	PLASTIC MULCH EXTRACTOR
MODEL:	
SERIAL NO.	
YEAR OF MANUFACTURE:	

complies with the legislative provisions of the following directives:

2006/42/CE (Machinery Directive)

and subsequent changes and integrations.

Person authorized to draw up the Technical File	Moretto Vanni Via Villafontana, 137 37050 Villafontana di Oppeano (VR)
---	--

Full Name	
Place and date	
Signature	

INDEX

INTRODUCTION.....	2
NOISE LEVELS.....	4
DISMANTLING AND DISPOSING OFF THE MACHINE	5
WARRANTY.....	5
ALLOWED USE	5
SAFETY STICKERS	6
TECHNICAL DATA – PLASTIC MULCH EXTRACTOR MOD. EXT.....	7
LIFTING THE MACHINE	8
SAFETY REGULATIONS.....	8
DESCRIPTION.....	9
MAIN COMPONENTS.....	10
HITCHING TO THE TRACTOR.....	13
HYDRAULIC CONTROLS.....	14
SAFETY INSTRUCTIONS DURING OPERATION	14
MAINTENANCE	15
END OF WORKS	15

INTRODUCTION

This documentation represents an integral part of the machine, and it must accompany it in case of ownership transfer or company relocation.

In case of disputes as to the contents of the manual, the reference version is the one in Italian.

Before installing and using the machine, read carefully and make sure to have understood the contents of this manual, as it provides important information on safety during installation, and the standards for use and maintenance operations.

The operator assigned to use the machine must have knowledge of the rules in force in the field of accident prevention.

MACHINE IDENTIFICATION DATA

The pages below provide to the user indications on how to identify the machine manufactured by **M.O.M.**

These pieces of information are drawn up by the manufacturer to the purpose of providing the users easy access to essential technical information or to give support in spare parts ordering process.

Therefore, it is **recommended** not to damage or remove any of the means necessary for the identification of the machine.

HOW TO IDENTIFY THE MACHINE

The machine identification data are available on the aluminium plate; use them whenever you contact **M.O.M.** for support.

This plate is the only one recognised by the manufacturer as machine identification mean. A facsimile of the plate is provided below.

M.O.M.
MORETTO COMPONIBILI MECCANICHE

CE
Made in Italy

VIA VILLAFONTANA 137 - 37050 VILLAFONTANA DI OPPEANO (VR) Tel. +39 045 7146086

DENOMINAZIONE	1
MODELLO	2
MATRICOLA	3
ANNO DI COSTRUZIONE	4

FIG. 1

- 1- Machine name
- 2- Machine model
- 3- Serial number
- 4- Year of manufacture

PURPOSE OF THE MANUAL

This manual contains the indications for use and maintenance needed to acquire a good knowledge of the machine.

The machine operation, life duration and consumption over time depend on whether these indications are complied with or not.

Failure to observe the manufacturer's indications, negligence, poor or inappropriate use of the machine can void the warranty that covers machine; moreover, it may prevent the user from enjoying the benefits this machine has been designed for.

M.O.M. offers timely and accurate technical assistance along with any other type of support useful to improve operation and to obtain the maximum performance from the machine.

The Manufacturer reserves the right to change, at its sole discretion, this publication, and the data it contains should it deem it necessary in view of technical or commercial improvement of the product.



This symbol will be used throughout the manual whenever your safety or the safety of others could be in danger, or in case the normal operation of your machine can be compromised.
Pay particular attention to the paragraphs preceded by this symbol.

CONTACTS IN THE CASE OF FAILURE

In case of need or for further details, our customers can contact the technical sales support of their local dealers or importers, who stay always in direct contact with the manufacturer, **M.O.M.**

Generally, most of the technical problems can be fixed through minor procedures. As a consequence, it is recommended to carefully read this manual before calling the Assistance service.

In case of more serious defects or malfunctions, the user can contact the manufacturer directly.



M.O.M. Moretto Officine Meccaniche S.R.L.
Via Villafontana, 137 – 37050 Villafontana di Oppeano (VR)
Tel +39 045.7146086
www.momofficine.it – info@momofficine.it

NOISE LEVELS



The airborne noise generated by the machine during operation is less than 70 dBA.
In any case, observe the regulation in force regarding airborne noise, in the country of use.

DISMANTLING AND DISPOSING OFF THE MACHINE

Make sure to dispose of the polluting wastes:

- the lubricating and hydraulic oils, worn fuel, etc.;
- the maintenance and cleaning materials.

according to the legislation in force in the country of use (normally in authorised wastes collection centres or by using the services of a company authorised for the purpose) and strictly avoid dispersing these wastes in the environment.

Should the machine be disassembled to be definitively dismantled, it is mandatory to follow the legislation on environment protection.

All ferrous, plastics materials or, however, polluting, or toxic gases shall be collected in authorised wastes collection centres.

WARRANTY

The equipment manufactured by our company is supplied with a warranty that covers manufacturing and/or assembly flaws and has twelve months validity starting the date of the delivery to the user.

It is limited to the replacement of parts acknowledged as being faulty and, thus, it does not include the related labour and transport costs reimbursement.

The warranty becomes void:

- In case the purchaser has made unauthorised changes to the original structure of the machine.
- In case the spares used are not original.
- In case our equipment is used other than according to the instructions contained in this manual.
- In case the machine is used improperly by the operators.

ALLOWED USE

This machine named PLASTIC MULCH EXTRACTOR (Standard or Extractor) must be used exclusively hitched to a tractor (having suitable capacity) equipped with hydraulic couplers and 3-point universal hitch.

The machine must be used exclusively to retrieve the nylon film /flap after it has been used for its specific cultivations. Any other use is to be considered improper and therefore dangerous.

SAFETY STICKERS

The safety stickers must always be perfectly visible; they must be kept clean and be replaced whenever they become little legible (they can be required to the manufacturer).

1. Before starting to use the machine, read carefully the user's manual.
2. Prior to any maintenance, stop the tractor, remove the key from the ignition contact, place the machine on the ground and consult the use and maintenance manual.
3. Lower limbs shearing hazard. Keep at a safe distance from the machine.
4. Crushing risk between the machine and the tractor. Use extreme caution while hitching up the machine.
5. Do not remove the guards installed on the machine



FIG. 2

TECHNICAL DATA – PLASTIC MULCH EXTRACTOR MOD. EXT

Tractor capacity Hp	Weight kg	Size mm		
		L	P	H
80÷100	1.150	1.915	1.565	3.000

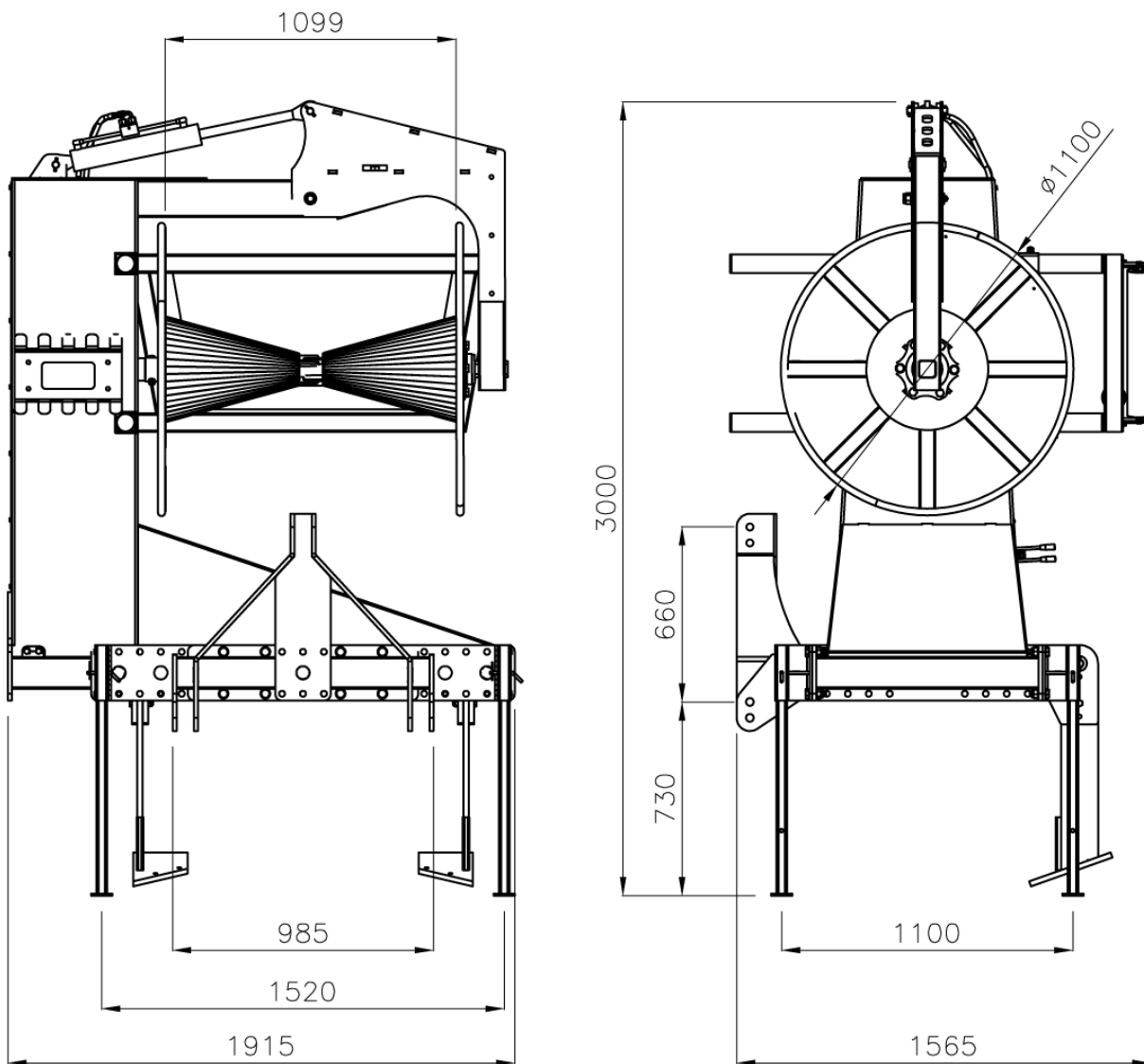


FIG. 3

LIFTING THE MACHINE

If the machine is to be lifted using a hoist or crane, first make sure the lifting means has suitable lifting capacity (check on the technical data table) and it is in good condition.



Avoid dangerous jolting movements and the presence of people not involved in the unloading operations in the manoeuvre area.

Use suitable capacity lifting straps in good condition.

During this operation, make sure that the machine is fully intact and inform the manufacturer immediately of any damage due to shipping.

SAFETY REGULATIONS

Read carefully all the instructions prior to using the machine; in case of doubt please contact the manufacturer.

M.O.M. declines any liability for failure to comply with the safety and accident prevention standards described below.

1. Pay attention to the warning's signs given in this manual and on the machine.
2. Never touch or get close to the moving parts.
3. It is strictly forbidden to carry persons, animals or objects on the machine.
4. Follow strictly all the accident prevention rules recommended and described in this manual.
5. The instruction labels applied to the machine provide essential indications to prevent injuries.
6. Make sure to observe the maximum weight provided on the tractor axis, the overall weight that can be withstood by the machine, the regulation on the transport and the Road Regulations in force in the country of use.
7. Before starting to work, get familiar with the controls and their functions.
8. Use appropriate clothing. It is strictly forbidden the use of loose clothing that might get caught in the moving parts.
9. Be careful in the hitching phase.
10. Never leave the seat or allow person or animals to approach while the tractor is in motion.
11. In curves, pay attention to the centrifugal force exerted by the position of the equipment on the tractor.
12. It is strictly forbidden to stand in the operation range of the machine and its accessories.
13. The diameter of the machine connecting pins must match the diameter of the tractor seat.
14. Pay particular attention when working near the power lift arms, it is a very hazardous area.
15. During road transport, lock the lever of the tractor hydraulic hitch.
16. Check on regular basis the tightening of screws and nuts and tighten back if loose.

17. Make sure to use recommended type of lubricants.
18. Spare parts must correspond to the requirements defined by the manufacturer. Use exclusively original spare parts.
19. The safety stickers must always be perfectly visible; they must be kept clean and be replaced whenever they become little legible (they can be required to your dealer).
20. The user's manual must be kept throughout the lifespan of the machine.
21. For road transport follow the rules of the Road Regulations in force in the country of use.

DESCRIPTION

The structure of the machine consists of an electro-welded steel tubular structure that supports a rotor shaft fitted with a hose lay-flat wheel by means of a flange.

The winding rotation is controlled by a hydraulic motor via a simple chain protected by a crankcase.

A screw-controlled system opens and closes the hose lay-flat support, so that, once it has been wound, the roll of hose lay-flat can be easily placed on the ground.

The hydraulic control unit consists of a regulator that allows controlling the winding speed of the hose lay-flat; the rotation is managed directly through the controls on the tractor.

OPERATION DESCRIPTION

After lifting the tool, fix the terminal of the hose lay-flat to be retrieved.

At this point the operator starts the rotor by means of the tractors controls, making sure not to tighten the roll too much while the rotor retrieves the hose lay-flat. In case of breakage of the hose lay-flat, stop the winder, turn off the tractor, and fix the hose lay-flat.

To free the nylon roll, stop the winder and unscrew the locking system to open it; the locking system will also be used to close the winder at a later stage.

Once the work has been completed, release the quick couplings of the delivery pipes from the tractor. To park the machine, such operation should be carried out on a flat ground; only after this can the three-point linkage be released.

MAIN COMPONENTS

The main components are listed below with reference to the figures FIG. 4 and FIG. 5.

1. Load-bearing frame with operator basket
2. Three point linkage
3. Support foot
4. Winder hydraulic motor
5. Chain transmission
6. Winder shaft supports
7. Hydraulic cylinders for winder opening
8. Winder wheel
9. Flow regulator
10. Hydraulic supply quick couplings
11. Hydraulic valve for wheel opening
12. Hydraulic supply quick couplings
13. Accessory for winding the drip tape (optional)
14. Anchors for stripping the nylon
15. Adjustable support wheels
16. Wheel height adjustment handles

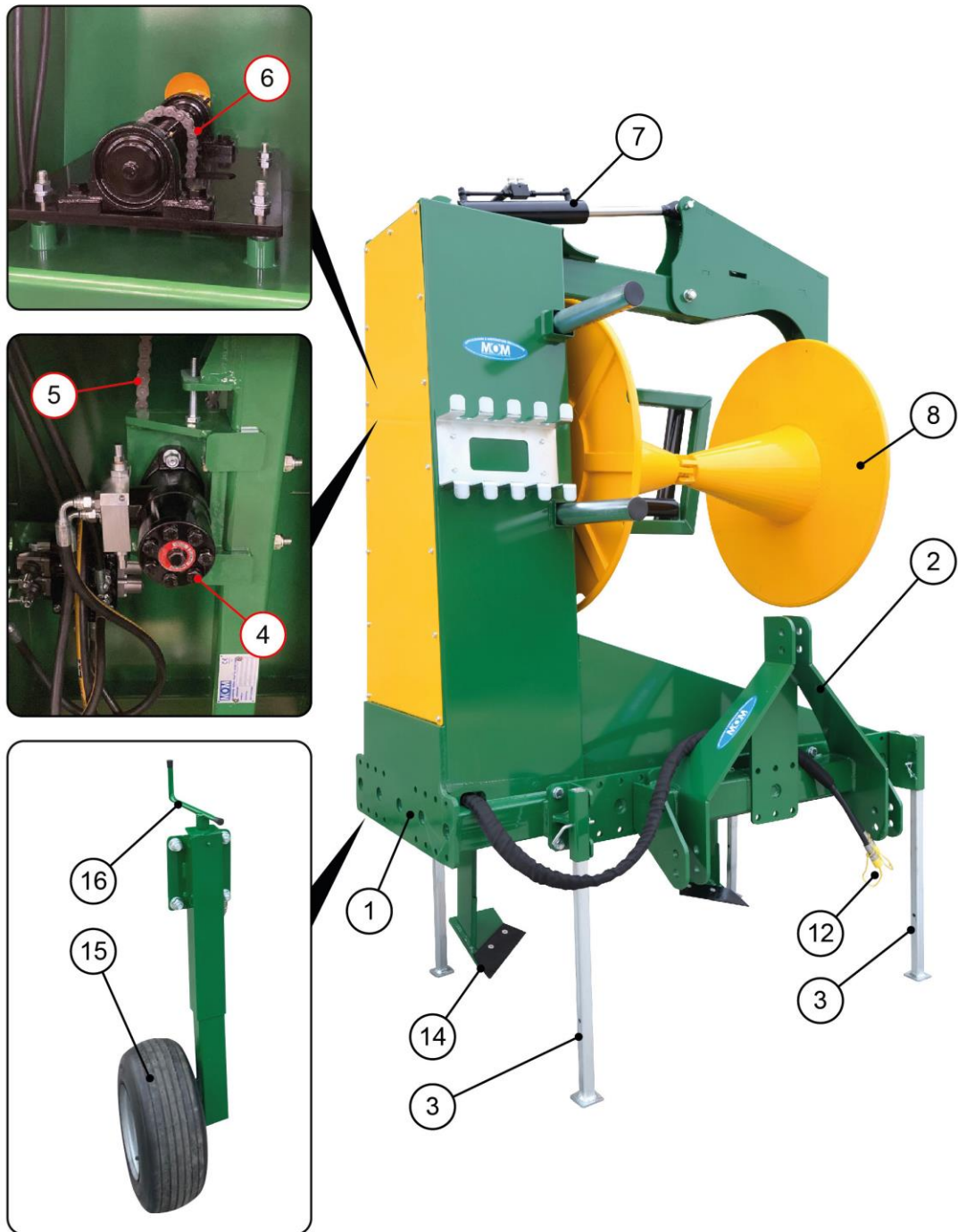


FIG. 4

The wheels (optional) in pos. 15 allow to adjust the depth of the anchors pos. 14 in order to correctly undermine the ground and correctly remove the nylon.



FIG. 5

It is possible, according to the processing requirements, to position the three-point hitch as shown in FIG. 6.

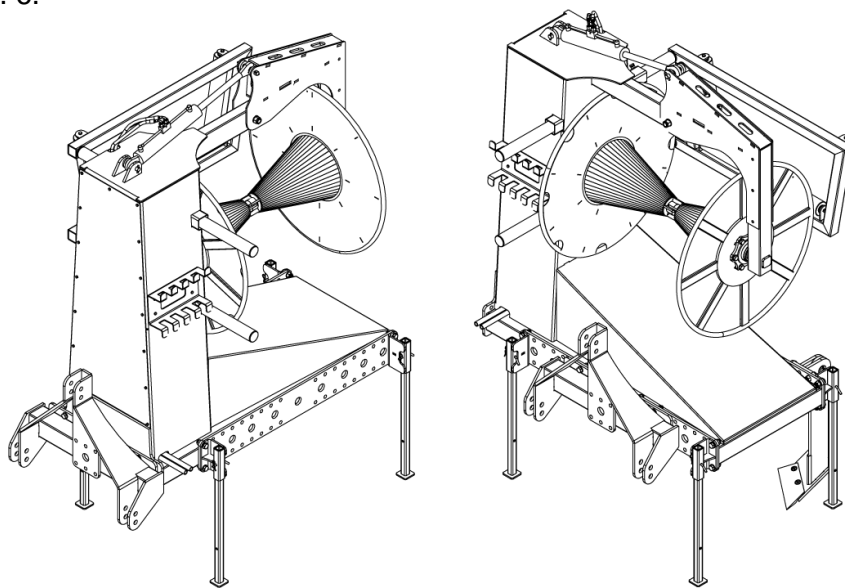


FIG. 6

HITCHING TO THE TRACTOR

1. Park the machine on a flat surface;
2. Insert the two parallel arms of the tractor in the connections A and insert the pins, then block them using the appropriate snap lock pins (2nd and 3rd category);
3. Connect the third point of the tractor to the upper pin B of the 3-point hitch, and adjust it to keep the machine parallel to the ground;
4. Connect the hydraulic hoses item C (Optional) to the tractor. (Check that the type of quick couplings fitted on the machine match the type of the ones on the tractor and make sure to always keep them clean) **Replace the tubes 5 years after the date stamped on them.**
5. The pins must be of the diameter required by the tractor. Do not use pins of different category and shorter diameter.
6. After the correct linkage to the tractor, lift the four support stands D, locking them in front and behind the machine by means of the appropriate pins.

Note: in the case of wheels assembly, the legs pos. D must be hooked to the rack pos. E.

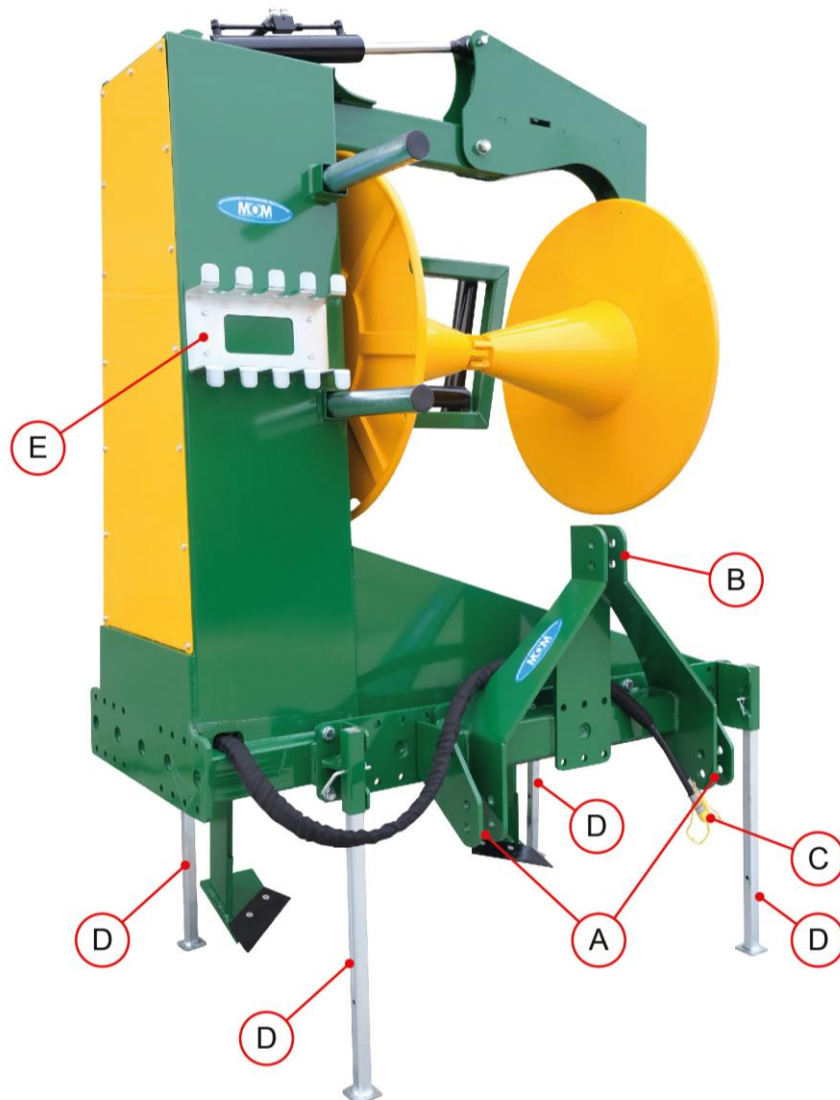


FIG. 7



The female hydraulic return must be of the free discharge type: this will prevent damages to the mechanics of the equipment due to the possible inertia of the wound reel.

HYDRAULIC CONTROLS

- A. Flow control valve to adjust the speed of the winders – we strongly recommend starting slowly (throttled flow).
- B. Double-acting distributor for hydraulic opening and closing of the reel.
- C. Double-acting distributor for clockwise or anti-clockwise rotation of the winder wheel.



FIG. 8

SAFETY INSTRUCTIONS DURING OPERATION

- Wear a protective mask with a dust filter when removing dust and plant residues accumulated on the machine, especially when cleaning the hydraulic circuit.
- Remember that each operator may only lift or handle loads that do not exceed 30 kg in weight.
- For work on the hydraulic circuits, make sure that the system is not under pressure. In case of interventions aimed at finding any leaks while the system is under pressure, use appropriate protective devices such as screens, glasses, gloves.
- Periodically check the tightening of the nuts, especially if the machine has just been put into service or if a replacement has been made due to wear, loss or breakage.
- In case the machine has been idle for a long time, make sure that all the required safety devices are installed; if any were removed for storage, reassemble them, making sure there are no missing or broken parts.
- When closing the winders, check that there are no plant residues or other obstacles between the couplings pos. A FIG. 9, which may affect the correct linkage.
- Use the dedicated holes pos. B FIG. 9 to fasten the rope used to block the drip tape.

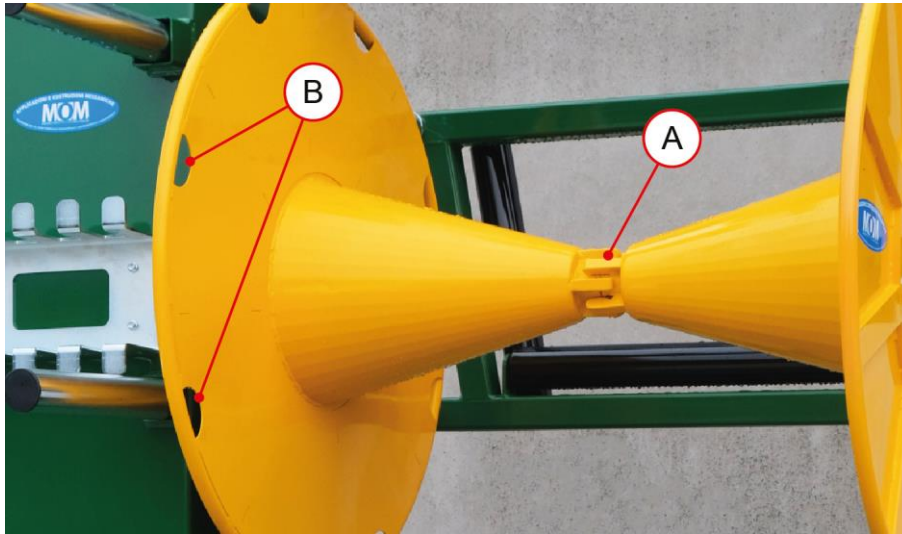


FIG. 9

MAINTENANCE

To keep your machine always efficient, make sure to perform the following interventions:

- Check tightness of all bolts.
- Grease at the beginning of each working season all machine points marked by the tag **GREASE**

END OF WORKS

If the machine must stay inactive for a long period, perform the following actions:

- A. Wash thoroughly the machine.
- B. Check the operation of all moving parts
- C. Check tightness of all bolts.
- D. Protect and lubricate all unpainted metal parts, then cover the equipment and store it in dry environment to make sure it is ready for use when necessary.