

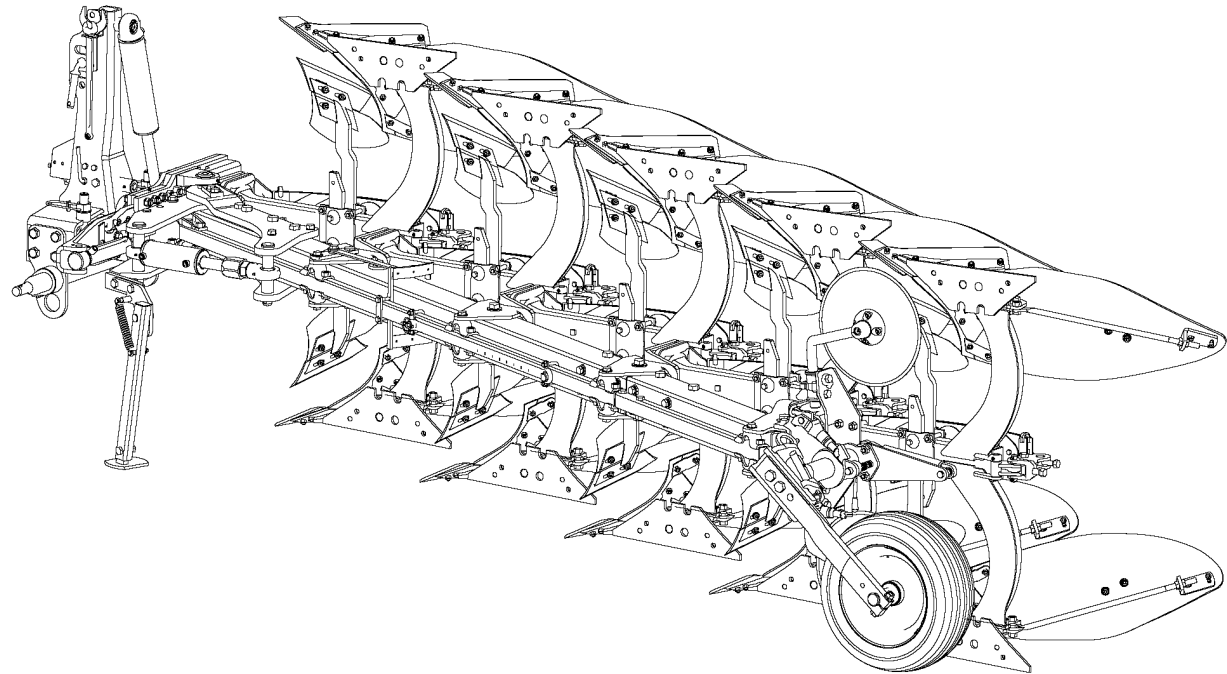
ESLS

Spare Parts Manual

Article number: KK733056
Language: EN
Production year (from): 2007
Prod. Series nr (from):
ES13001,LS2246 < Mach. ID <= =>

ESLS / Table of Contents

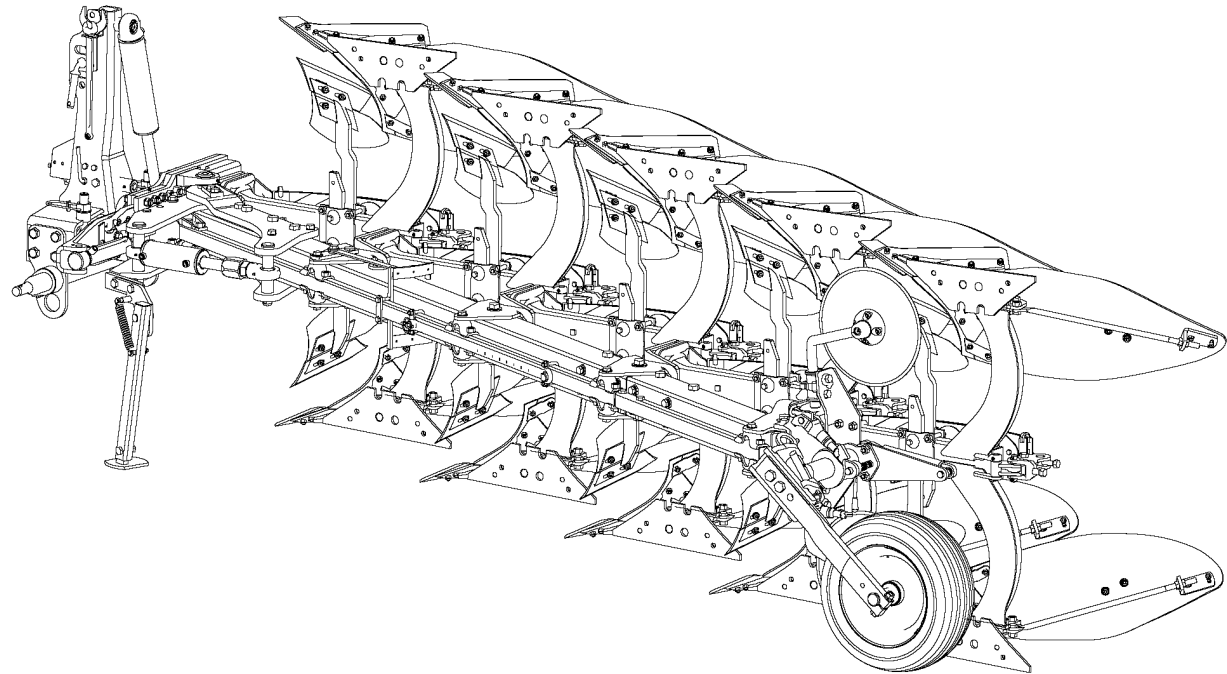
PosNo.	Assembly group	Page
Body	BODY - 8, 9, 28	1
--	BODY NO 12, 15 & 19	2
--	BODY NR 14 (PLASTIC MOULDBOARD)	3
--	BODY NO. 30 (AND NO. 29 BEFORE 01.01.05)	4
--	BODY NO. 25	5
Beam	BEAM (SHEAR BOLT)	6
--	BEAM - AUTO RESET	7
--	BEAM- HYDRAULIC AUTO RESET	8
Coulter	DISC COULTER - SHEAR BOLT BEAM	9
--	DISC COULTER - AUTO RESET BEAM	10
--	DISC COULTER PARALLEL ADJUSTMENT	11
Skimmer	SKIMMER	12
Headst	CROSS SHAFT HS-110	13
--	CROSS SHAFTS HS-200	14
--	HEADSTOCK 110	15
--	HEADSTOCK 200 - SLIDE	16
--	HEADSTOCK 200 - TOWER	17
Frame	FRAME AND FRONT SECTION HS-110	18
--	FRAME AND FRONT SECTION HS-200	19
--	BEAM SUPPORT STEPLESS	20
--	PARKING STAND	21
Hydr	HYDRAULICS HS-110+ FRONT FURROWS ADJUSTMENT	22
--	HYDRAULICS HS-200 BASIC VERSION	23
--	HYDRAULICS HS-200 ALIGMENT SYSTEMS	24
--	HYDRAULICS HS-200 MEMORY SYSTEMS	25
--	FRONT FURROW ADJUSTMENT HS-200	26
Cyl	CYLINDER D32-D20X165+75 (KK354520)	27
--	CYLINDER D40 - D32 X 510 + 215 (KK353907)	28
--	CYLINDER D50-D30X400+200 (KK353681)	29
--	CYLINDER D63-D32X280+120	30

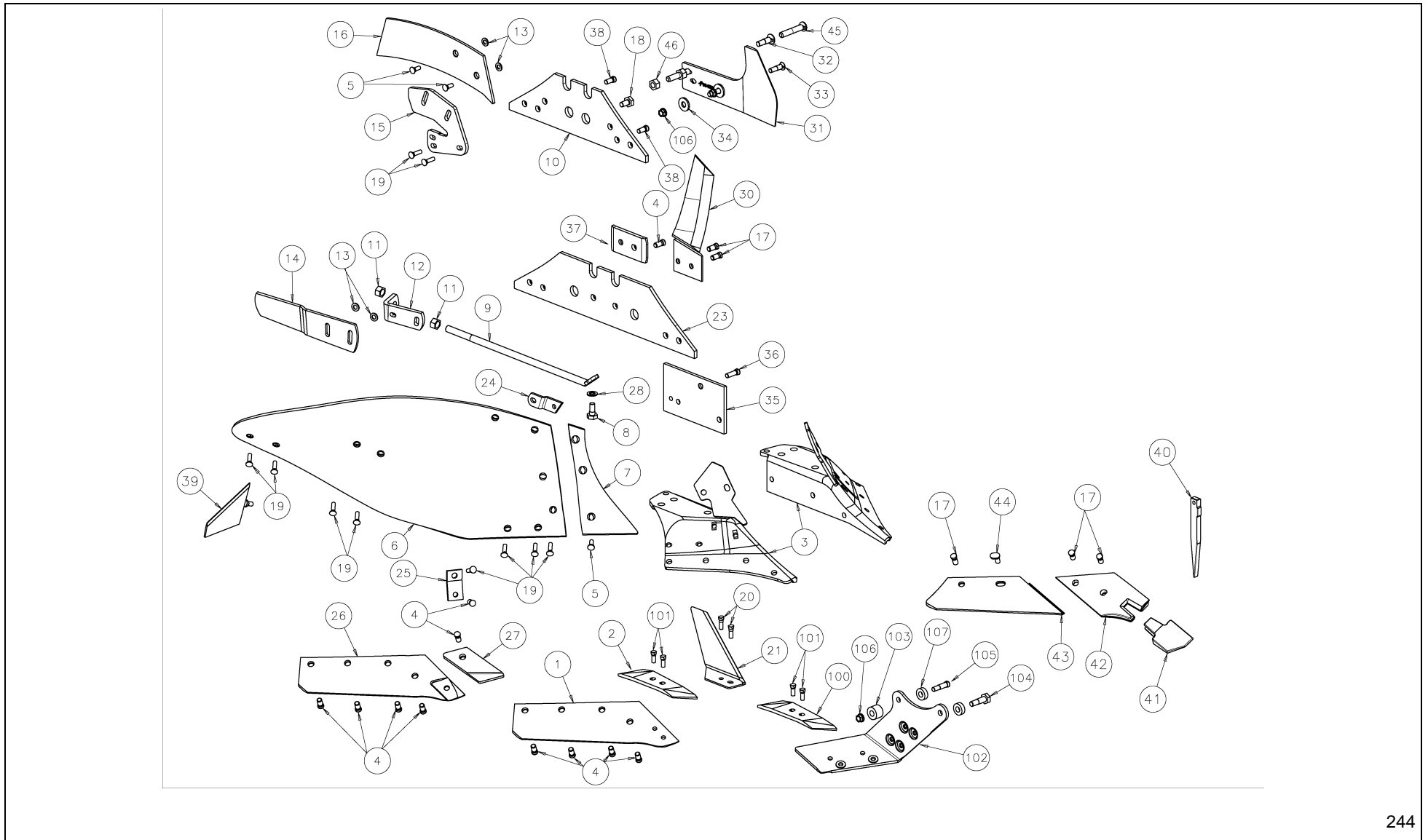


ESLS / Table of Contents



PosNo.	Assembly group	Page
--	(KK354515) CYLINDER D63-D32X400+200	31
--	(KK353680) CYLINDER D63-D32X670+400	32
--	(KK300803) CYLINDER D80-D35X355+130	33
--	CYLINDER D80-D40X470+150	34
--	(KK354709) CYLINDER D80-D40X470+150	35
--	(KK354719) MEMORY CYLINDER D80-D40X470+150 (KK354718)	36
--	CYLINDER D80-D40X520+300 (KK353664)	37
Wheel	DEPTH WHEEL WITH PLATE ARM	38
--	DEPTH WHEEL LIGHT	39
--	DEPTH/TRANSPORT WHEEL 87	40
--	WHEEL 99 - REAR MOUNTED	41
--	WHEEL 99 - FRAME MOUNTED	42
--	WHEEL 99 - ARM & AXLE	43
--	WHEEL 200X14.5 & 26X12-12	44
--	BRACET DEPTH/TRANSP. WHEEL 99 (FROM 01.06.99)	45
--	WHEEL (HYDRAULIC)	46
Light	LIGHTS (MOUNTING FRAME)	47
--	LIGHTS AND REFLEXES	48
--	LIGHT (SIDE MOUNTED)	49
Packer	SOIL PACKER ARM	50
--	DRAW BAR HS-200	51
--	HYDRAULICS PACER ARM HS-200	52

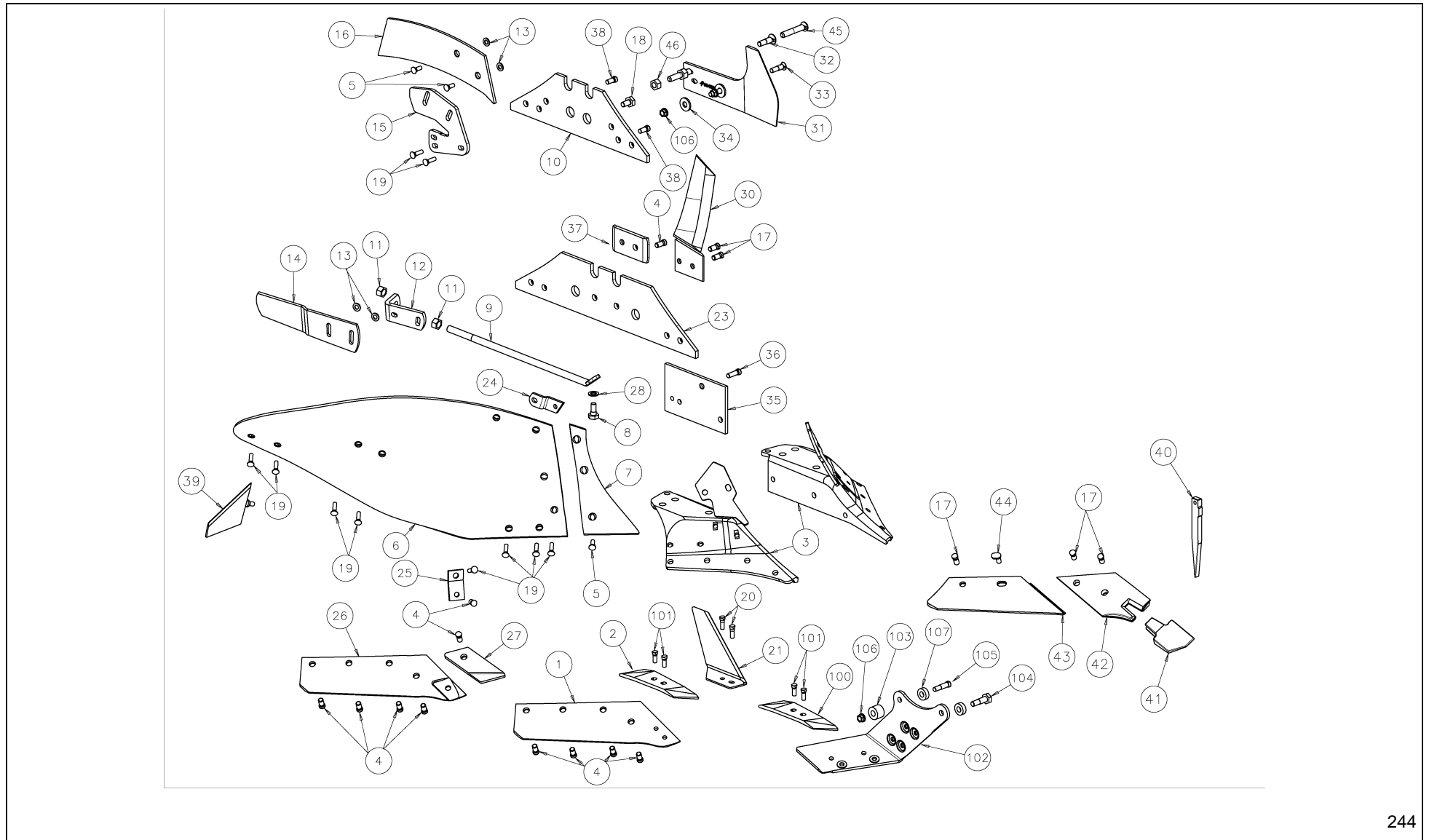




ESLS / BODY - 8, 9, 28



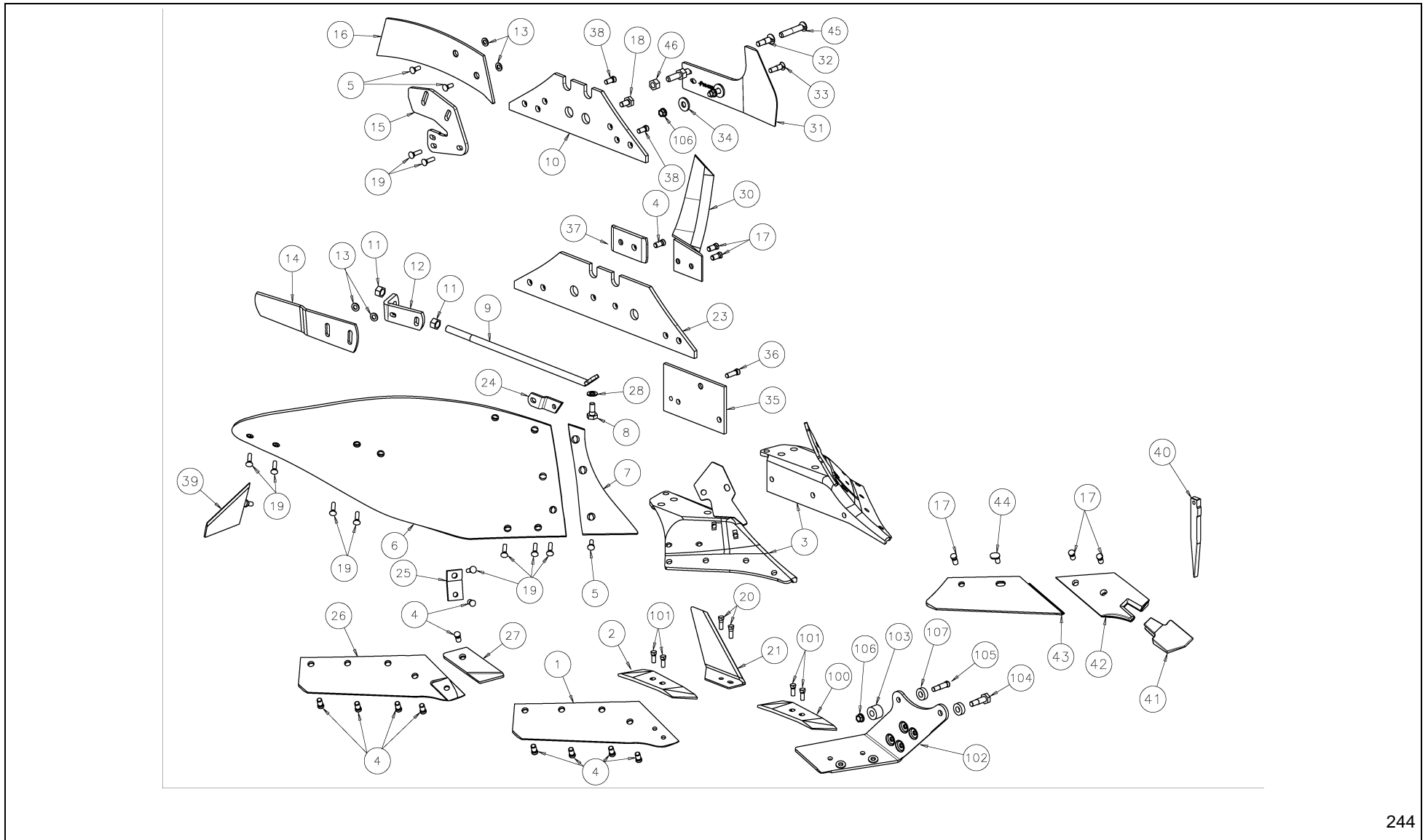
PosNo.	Part No.	Qty.	Description	Remark
1	KK073000		SHARE 12 F/REV.POINT RIGHT	(30 cm)
1	KK073001		SHARE 12 F/REV.POINT LEFT	(30 cm)
1	KK073002		SHARE 14 F/REV.POINT RIGHT	(35 cm)
1	KK073003		SHARE 14 F/REV.POINT LEFT	(35 cm)
1	KK073004		SHARE 16 F/REV.POINT RIGHT	(40 cm)
1	KK073005		SHARE 16 F/REV.POINT LEFT	(40 cm)
1	KK073006		SHARE 18 F/REV.POINT RIGHT	(45 cm)
1	KK073007		SHARE 18 F/REV.POINT LEFT	(45 cm)
1	KK073008		SHARE 20 F/REV.POINT RIGHT	(50 cm)
1	KK073009		SHARE 20 F/REV.POINT LEFT	(50 cm)
2	KK053090		REVERSIBLE POINT RIGHT	
2	KK063090		REVERSIBLE POINT LEFT	
3	KK073406		SADDLE W/SUPPORT RIGHT	(for E-saddle)
3	KK073407		SADDLE W/SUPPORT LEFT	(for E-saddle)
3	KK073411		SADDLE A RIGHT	(for A-saddle)
3	KK073412		SADDLE A LEFT	(for A-saddle)
4	KK013332		CONE SCREW M14 X 34 12.9	
5	KK033100		OVAL SCREW M12X30	
6	KK073260		MOULDBOARD 12"-18" NO.6, R	(Before 01.01.05)
6	KK073261		MOULDBOARD 12-16 NO.6 LEFT	(Before 01.01.05)
6	KK073263		MOULDBOARD 12-14 NO.7 RIGHT	(Before 01.01.05)
6	KK073264		MOULDBOARD 12-14 NO.7 LEFT	(Before 01.01.05)
6	KK073280		MOULDBOARD 12 NO.8 RIGHT	
6	KK073281		MOULDBOARD 12 NO.8 LEFT	
6	KK073286		MOULDBOARD 14-18 NO.8 RIGHT	
6	KK073287		MOULDBOARD 14-18 NO.8 LEFT	
6	KK073290		MOULDBOARD 14-20 NO.9&19 RIGHT	
6	KK073291		MOULDBOARD 14-20 NO.9&19 LEFT	
6	KK083228		MOULDBOARD BODY NO 28 RIGHT	(From 01.03.03)
6	KK083229		MOULDBOARD BODY NO 28 LEFT	(From 01.03.03)
7	KK073250		SHINPIECE 12-18 NO.8 RIGHT	no. 8 (and no. 28 from 01.03.03)
7	KK073251		SHINPIECE 12-18 NO. 8 LEFT	no. 8 (and no. 28 from 01.03.03)
7	KK073256		SHINPIECE 12-20 NO.6&9 RIGHT	no. 9 (and no. 6 before 01.01.05)
7	KK073257		SHINPIECE 12-20 NO.6&9 LEFT	no. 9 (and no. 6 before 01.01.05)
8	KK032735		HEX BOLT M16X35 10.9	
9	KK063801		STAY E-SADDLE R/L	L = 550; Body nr. 8 (and nr. 6, 7 before 01.01.05 and nr. 9 before 01.12.95)
9	KK073803		STAY A-SADDLE R/L	L = 560; Body nr. 8 (and nr. 6, 7 before 01.01.05 and nr. 9 before 01.12.95)
9	KK073831		STAY E-SADDLE R/L	(no. 9 and 19; from 01.12.95)



ESLS / BODY - 8, 9, 28



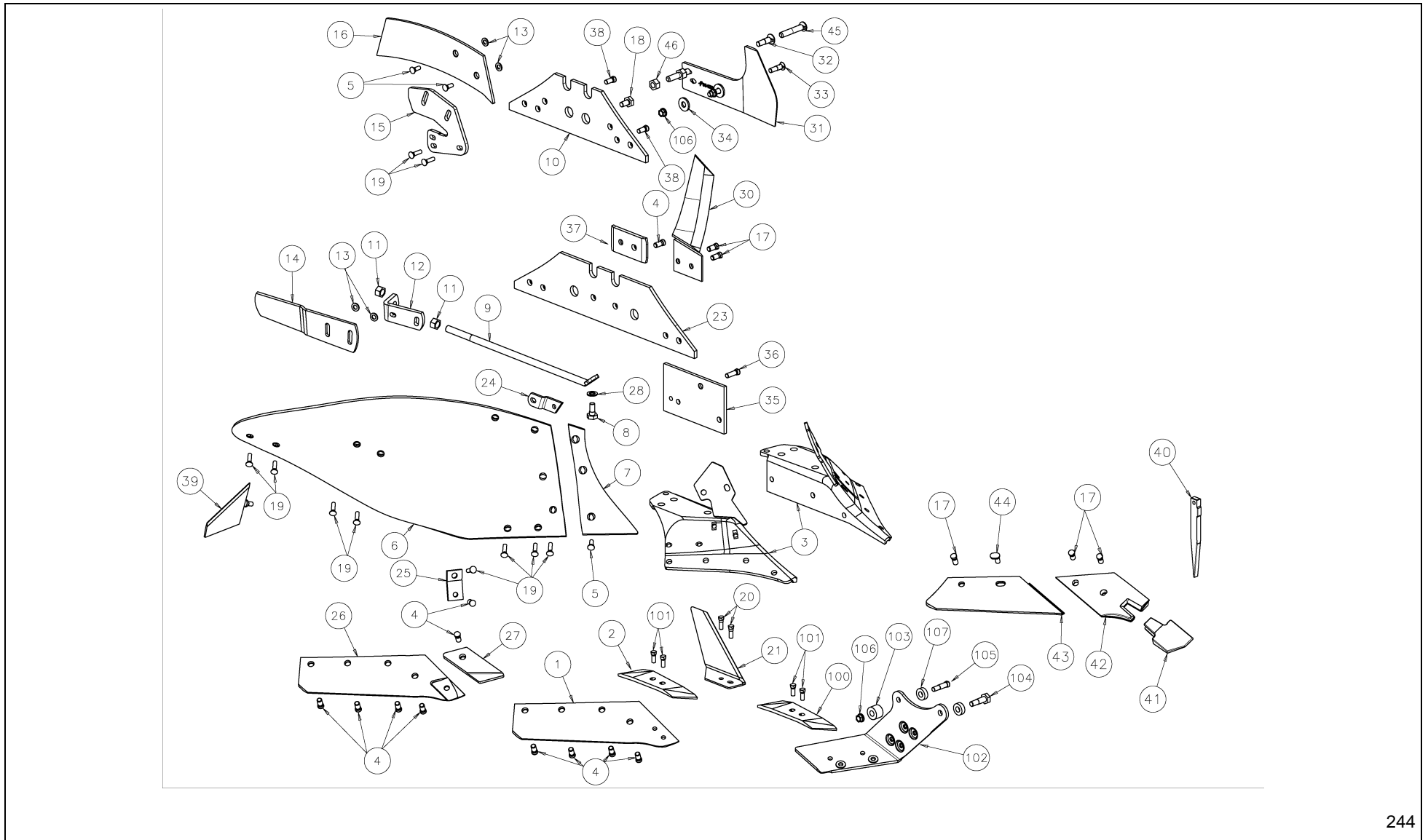
PosNo.	Part No.	Qty.	Description	Remark
9	KK073830		STAY A-SADDLE R/L	(no. 9; from 01.12.95)
9	KK063801		STAY E-SADDLE R/L	(Additional stay no. 9; from 01.12.95)
9	KK070394		ADD.STAY BODY NO. 9 CPL. R.E-SADDLE	(pos. 12) (From 01.12.95)
9	KK070395		ADD.STAY BODY NO. 9 CPL. L.E-SADDLE	(pos. 12) (From 01.12.95)
9	KK073803		STAY A-SADDLE R/L	(Additional stay no. 9; from 01.12.95)
9	KK070390		ADD.STAY BODY NO 9 CPL. R. A-SADDLE	(pos. 12) (From 01.12.95)
9	KK070391		ADD.STAY BODY NO. 9 CPL. L.A-SADDLE	(pos. 12) (From 01.12.95)
9	KK083809		STAY A-SADDLE R/L	(no. 28; from 01.03.03)
9	KK083810		STAY E-SADDLE BODY NO 28	(no. 28; from 01.03.03)
9	KK080980		ADD.STAY BODY NO 28 R A-SADDLE	cpl. with bracket (from 01.01.03)
9	KK080981		ADD.STAY BODY NO 28 L A-SADDLE	cpl. with bracket (from 01.01.03)
9	KK080982		ADD.STAY BODY NO 28 R E-SADDLE	cpl. with bracket (from 01.01.03)
9	KK080983		ADD.STAY BODY NO 28 L E-SADDLE	cpl. with bracket (from 01.01.03)
10	KK073608		LANDSIDE SHORT R/L	
11	KK015834		NUT M20 H12 GALV.	
12	KK073800		BRACKET FOR STAY RIGHT	no. 8 (and no. 6, 7 before 01.01.05 and nr. 9 before 01.12.95)
12	KK073801		BRACKET FOR STAY LEFT	no. 8 (and no. 6, 7 before 01.01.05 and nr. 9 before 01.12.95) And no. 9 before 01.12.95)
12	KK073807		BRACKET FOR EXTRA STAY RIGHT	no. 9 (From 01.12.95)
12	KK073808		BRACKET FOR EXTRA STAY LEFT	no. 9 (From 01.12.95)
13	KK012919		WASHER D13.0XD24.0X2.50	
14	KK053387		MOULDBOARD EXTENSION RIGHT	
14	KK063388		MOULDBOARD EXTENSION LEFT	
15	KK073310		BRACKET FOR TRASHBOARD RIGHT	
15	KK073311		BRACKET FOR TRASHBOARD LEFT	
16	KK073300		TRASHBOARD RIGHT	
16	KK073301		TRASHBOARD LEFT	
16	KK070640		TRASHBOARD, R CPL.	
16	KK070641		TRASHBOARD, L CPL.	
16	KK070642		TRASHBOARD, R + L CPL.	
17	KK013332		CONE SCREW M14 X 34 12.9	
18	KK032725		HEX BOLT M16X27 10.9	
19	KK033107		OVAL SCREW M12X35	
20	KK013234		CONE SCREW M12X382F 12.9	
21	KK073091		SHARE KNIFE, R	
21	KK073092		SHARE KNIFE, L	
21	KK063091		SHARE KNIFE, R	(For Sweden)
21	KK063092		SHARE KNIFE, L	(For Sweden)
23	KK073609		LANDSIDE LONG R/L	



ESLS / BODY - 8, 9, 28



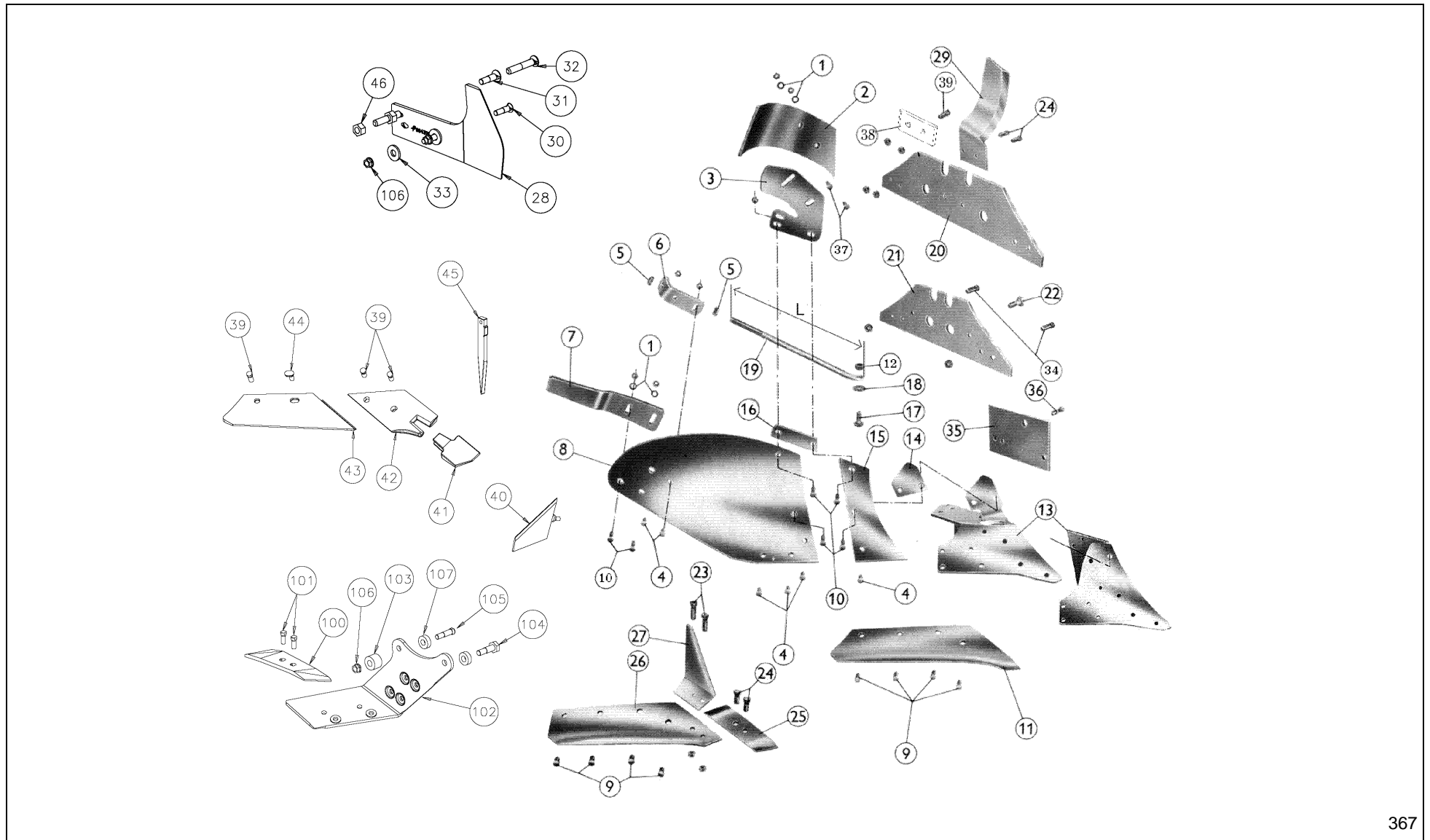
PosNo.	Part No.	Qty.	Description	Remark
24	KK073266		CONNECTING PIECE NO. 19 R	no. 9 (and no. 6 before 01.01.05)
24	KK073267		CONNECTING PIECE NO. 19 L	no. 9 (and no. 6 before 01.01.05)
25	KK073414		CONNECTING PIECE NO.9 RIGHT	
25	KK073415		CONNECTING PIECE NO.9 LEFT	
26	KK073040		FLUSH FIT SHARE 12 R	
26	KK073041		FLUSH FIT SHARE 12 L	
26	KK073042		FLUSH FIT SHARE 14 R	
26	KK073043		FLUSH FIT SHARE 14 L	
26	KK073044		FLUSH FIT SHARE 16 R	
26	KK073045		FLUSH FIT SHARE 16 L	
27	KK073030		FLUSHPOINT RIGHT	
27	KK073031		FLUSHPOINT LEFT	
28	KK012927		WASHER D17.0XD30X3	(for use with two stays)
30	KK073615		FURROW WIDENER RH	
30	KK073616		FURROW WIDENER LH	
31	KK084320R		LANDSIDE KNIFE R.H.	
31	KK084321R		LANDSIDE KNIFE L.H.	
32	KK033251		OVAL SCREW M16X50 12.9	(Before 01.02.00; for E-saddle)
32	KK033256		OVAL SCREW M16X55 12.9	(From 01.02.00; for E-saddle)
32	KK033286		OVAL SCREW M16X85 12.9	(Before 01.02.00; for A-saddle)
32	KK033295		OVAL SCREW M16X95 12.9	(From 01.02.00; for A-saddle)
33	KK033175		OVAL SCREW M14X50 10.9 EZ GUL	
34	KK012922		WASHER D17-D40X4.58	
35	KK063607		PLATE	
35	KK073607		PLATE CPL.	
36	KK013346		CONE SCREW M14X45 GALV.	
37	KK073614		WEARING PART FOR LONG LANDSIDE	
38	KK013333		CONE SCREW M14X34	
39	KK083235		FURROWSPLITTER WE	(From 01.12.01)
40	KK083091		EJECTOR KEY	(bodies no. 8, 9 and 28)
41	KK083090		QUICK FIT POINT	(bodies no. 8, 9 and 28)
42	KK083010		QUICK FIT HOLDER RIGHT	(bodies no. 8, 9 and 28)
42	KK083011		QUICK FIT HOLDER LEFT	(bodies no. 8, 9 and 28)
43	KK083016R		SHARE QFS 14" R	(bodies no. 8, 9 and 28)
43	KK083017R		SHARE QFS 14" L	(bodies no. 8, 9 and 28)
43	KK083018R		SHARE QFS 16" R	(bodies no. 8, 9 and 28)
43	KK083019R		SHARE QFS 16" L	(bodies no. 8, 9 and 28)
43	KK083020R		SHARE QFS 18" R	(bodies no. 8, 9 and 28)
43	KK083021R		SHARE QFS 18" L	(bodies no. 8, 9 and 28)
43	KK083022R		QUICK FIT REAR SHARE RIGHT 20 INCH	(bodies no. 8, 9 and 28)



ESLS / BODY - 8, 9, 28



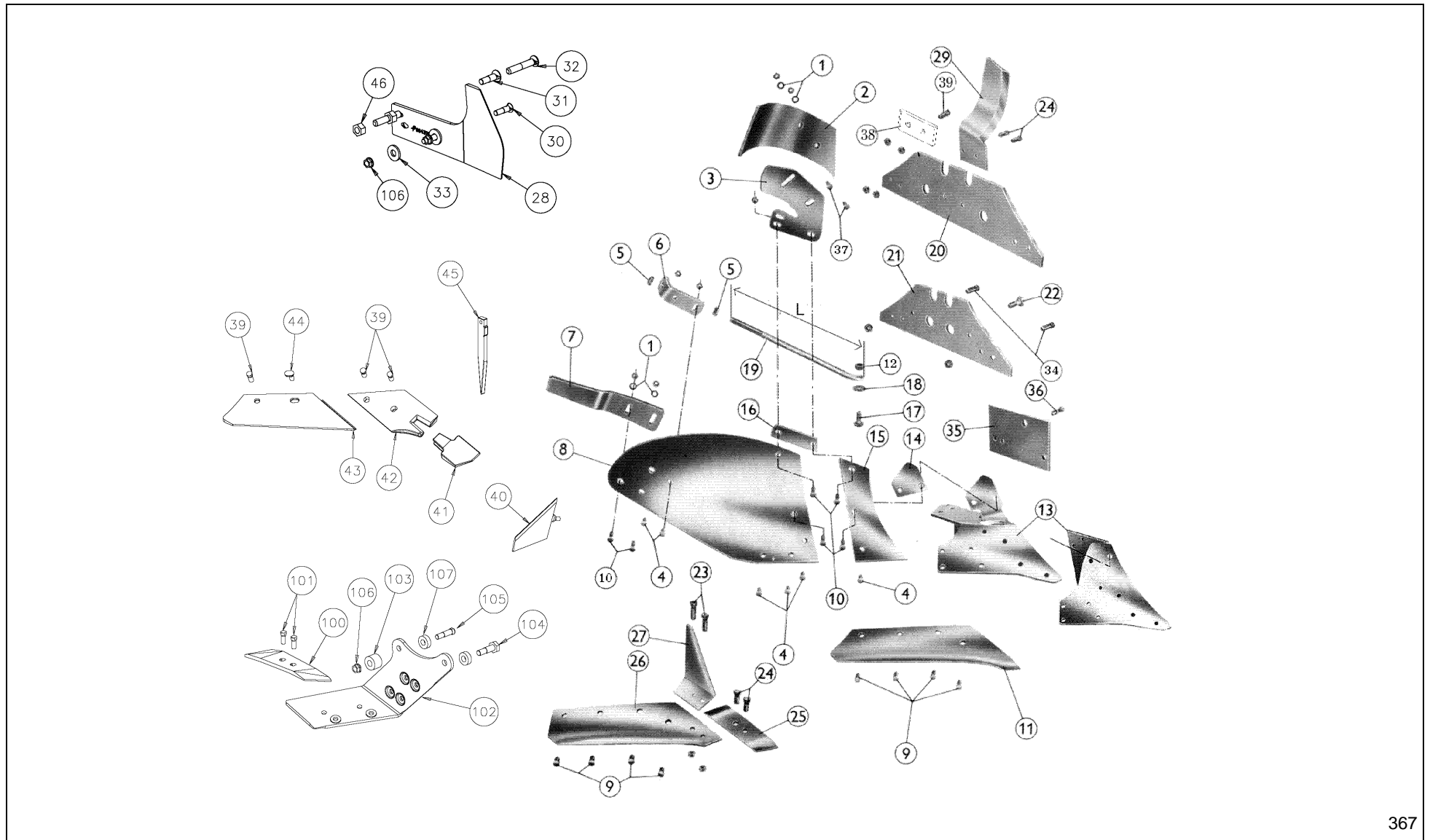
PosNo.	Part No.	Qty.	Description	Remark
43	KK083023R		QUICK FIT REAR SHARE LEFT 20 INCH	(bodies no. 8, 9 and 28)
44	KK013334		CONE SCREW M14X34 OVAL HEAD	(bodies no. 8, 9 and 28)
45	KK033286		OVAL SCREW M16X85 12.9	(Before 01.02.00; for A-saddle)
45	KK033295		OVAL SCREW M16X95 12.9	(From 01.02.00; for A-saddle)
46	KK015825		NUT M16	
100	KK053090		REVERSIBLE POINT RIGHT	
100	KK063090		REVERSIBLE POINT LEFT	
101	KK013228		CONE SCREW M12X34 12.9	
102	KK073634		ECO SHARE RIGHT	
102	KK073635		ECO SHARE LEFT	
103	KK010155		BUSHING D17- D38X27	(for A-saddle)
103	KK010156		BUSHING D17-D38X40	(for MZ, AB, AD, BB, DA, DC, CC, BE)
104	KK032740		HEX BOLT M16X40 10.9	(for E-saddle) (Before 01.03.00)
104	KK032750		HEX BOLT M16X50 10.9	(for E-saddle) (From 01.03.00)
104	KK032765		HEX BOLT M16X65 10.9	(for A-saddle)
104	KK032775		HEX BOLT M16X75 10.9	(for MZ, AB, AD, BB, DA, DC, CC, BE)
105	KK013346		CONE SCREW M14X45 GALV.	(for E-saddle) (Before 01.03.00)
105	KK013361		CONE SCREW M14X60 12.9	(for E-saddle) (From 01.03.00)
105	KK013385		CONE SCREW M14X85 10.9 GALV.	(for A-saddle)
106	KK016015		FLANGE NUT M14 GALV.	
107	KK012929		WASHER D16.5XD35.0X12.0	(From 01.03.00)



ESLS / BODY NO 12, 15 & 19



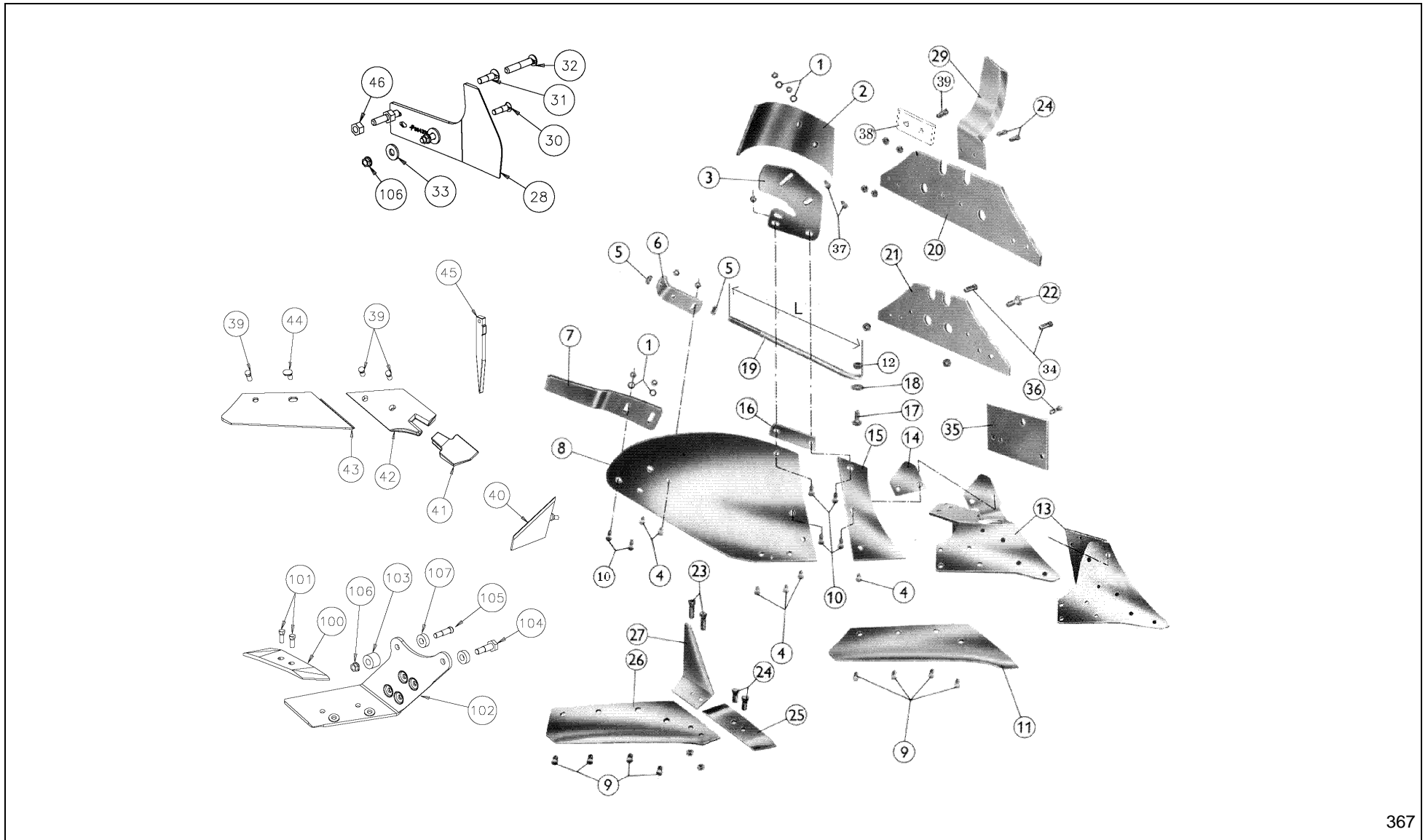
PosNo.	Part No.	Qty.	Description	Remark
1	KK012919		WASHER D13.0XD24.0X2.50	
2	KK073300		TRASHBOARD RIGHT	
2	KK073301		TRASHBOARD LEFT	
2	KK070640		TRASHBOARD, R CPL.	
2	KK070641		TRASHBOARD, L CPL.	
2	KK070642		TRASHBOARD, R + L CPL.	
3	KK073310		BRACKET FOR TRASHBOARD RIGHT	
3	KK073311		BRACKET FOR TRASHBOARD LEFT	
4	KK033100		OVAL SCREW M12X30	
5	KK015834		NUT M20 H12 GALV.	
6	KK073800		BRACKET FOR STAY RIGHT	
6	KK073801		BRACKET FOR STAY LEFT	
7	KK053387		MOULDBOARD EXTENSION RIGHT	
7	KK063388		MOULDBOARD EXTENSION LEFT	
8	KK073236		MOULDBOARD NO.12 RIGHT	
8	KK073237		MOULDBOARD NO.12 LEFT	
8	KK073224		MOULDBOARD NO.15 RIGHT	
8	KK073225		MOULDBOARD NO.15 LEFT	
8	KK073290		MOULDBOARD 14-20 NO.9&19 RIGHT	
8	KK073291		MOULDBOARD 14-20 NO.9&19 LEFT	
9	KK013332		CONE SCREW M14 X 34 12.9	
10	KK033107		OVAL SCREW M12X35	
11	KK073062		SHARE 14 FIXED POINT RIGHT	
11	KK073063		SHARE 14 FIXED POINT LEFT	
11	KK073064		SHARE 16 FIXED POINT RIGHT	
11	KK073065		SHARE 16 FIXED POINT LEFT	
12	KK062025		ADJUSTABLE NUT M16 GALV.	
13	KK073435		SADDLE E NO.12-15-19 RIGHT	
13	KK073436		SADDLE E NO.12-15-19 LEFT	
13	KK073440		SADDLE A NO.12-15-19 RIGHT	
13	KK073441		SADDLE A NR.12-15-19 LEFT	
14	KK073417		EXTENSION PIECE RIGHT	
14	KK073418		EXTENTION PIECE LEFT	
15	KK073241		SHINPIECE NO.12 RIGHT	
15	KK073242		SHINPIECE NO.12 LEFT	
15	KK073227		SHINPIECE NO.15 RIGHT	
15	KK073228		SHINPIECE NO.15 LEFT	
15	KK073230		SHINPIECE NO.19 AND 30 RIGHT	
15	KK073231		SHINPIECE NO.19 AND 30 LEFT	
16	KK073239		CONNECTING PIECE NO.12 AND 15 L	



ESLS / BODY NO 12, 15 & 19



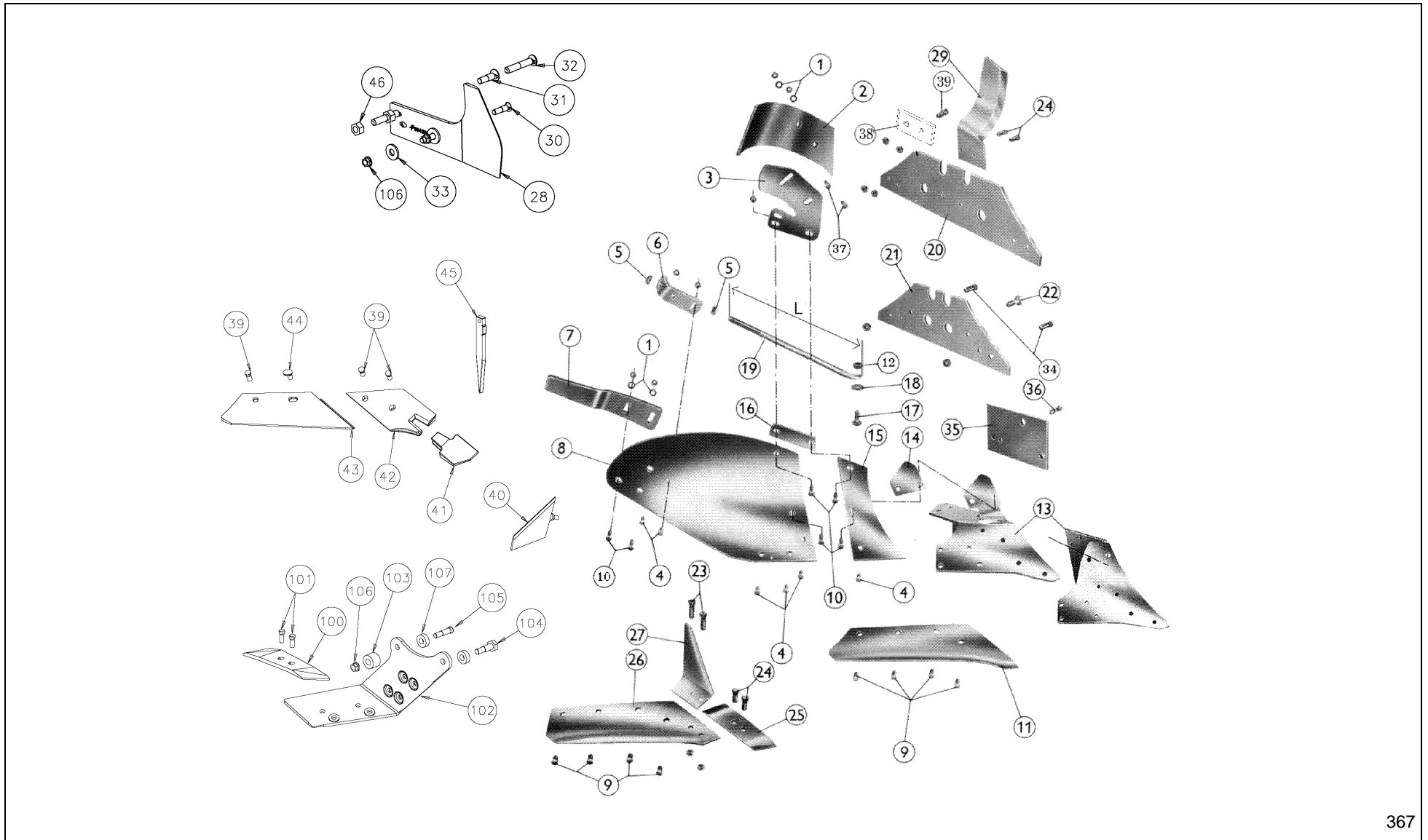
PosNo.	Part No.	Qty.	Description	Remark
16	KK073240		CONNECTING PIECE NO. 12 AND 15, L	
16	KK073266		CONNECTING PIECE NO. 19 R	
16	KK073267		CONNECTING PIECE NO. 19 L	
17	KK032750		HEX BOLT M16X50 10.9	(for use with two stays)
17	KK032735		HEX BOLT M16X35 10.9	(for use with one stay only)
18	KK012927		WASHER D17.0XD30X3	(for use with two stays)
19	KK073805		STAY FOR E-SADDLE R/L	(no. 12 and 15; and no. 19 before 12.01.95)
19	KK073831		STAY E-SADDLE R/L	(no. 19; from 12.01.95)
19	KK073804		STAY A-SADDLE R/L	(no. 12 and 15; and no. 19 before 12.01.95)
19	KK073826		STAY A-SADDLE R/L	(no. 19; from 12.01.95)
19	KK073826		STAY A-SADDLE R/L	(Additional stay no. 19; from 01.12.96)
19	KK070388		STAY CPL. R A-SADDLE	(Additional stay no. 15)(pos. 6) (From 01.12.96)
19	KK070389		STAY CPL. L A-SADDLE	(Additional stay no. 15)(pos. 6) (From 01.12.96)
19	KK073829		STAY E-SADDLE R/L	(no. 19; from 01.12.96)
19	KK070398		ADD.STAY CPL. R E-SADDLE	(Additional stay no. 15)(pos. 6) (From 01.12.96)
19	KK070399		ADD.STAY CPL. L E-SADDLE	(Additional stay no. 15)(pos. 6) (From 01.12.96)
19	KK073842		STAY E-SADDLE R/L	(no. 19; from 01.12.95)
19	KK070396		ADD.STAY BODY NO. 19 CPL. R.E-SADDLE	(pos. 6) (From 01.12.95)
19	KK070397		ADD.STAY BODY NO 19 CPL. L.E-SADDLE	(pos. 6) (From 01.12.95)
19	KK073804		STAY A-SADDLE R/L	(Additional stay no. 19)(From 01.12.95)
19	KK070392		ADD.STAY BODY NO. 19 CPL. R.A-SADDLE	(pos. 6) (From 01.12.95)
19	KK070393		ADD.STAY BODY NO. 19 CPL. L.A-SADDLE	(pos. 6) (From 01.12.95)
20	KK073609		LANDSIDE LONG R/L	
21	KK073608		LANDSIDE SHORT R/L	
22	KK032725		HEX BOLT M16X27 10.9	
23	KK013234		CONE SCREW M12X382F 12.9	
24	KK013228		CONE SCREW M12X34 12.9	
25	KK053090		REVERSIBLE POINT RIGHT	
25	KK063090		REVERSIBLE POINT LEFT	
26	KK073054		SHARE 14 REVERSIBLE POINT RIGHT	
26	KK073055		SHARE 14 REVERSIBLE POINT LEFT	
26	KK073056		SHARE 16 REVERSIBLE POINT RIGHT	
26	KK073057		SHARE 16 REVERSIBLE POINT LEFT	
26	KK073080		SHARE 18 REVERSIBLE POINT RIGHT	
26	KK073081		SHARE 18 REVERSIBLE POINT LEFT	
27	KK073091		SHARE KNIFE, R	
27	KK073092		SHARE KNIFE, L	
28	KK084320R		LANDSIDE KNIFE R.H.	R
28	KK084321R		LANDSIDE KNIFE L.H.	L
29	KK073615		FURROW WIDENER RH	



ESLS / BODY NO 12, 15 & 19



PosNo.	Part No.	Qty.	Description	Remark
29	KK073616		FURROW WIDENER LH	
30	KK033175		OVAL SCREW M14X50 10.9 EZ GUL	
31	KK033251		OVAL SCREW M16X50 12.9	(for E-saddle) (Before 01.02.00)
31	KK033256		OVAL SCREW M16X55 12.9	(for E-saddle) (From 01.02.00)
32	KK033286		OVAL SCREW M16X85 12.9	(for A-saddle) (Before 01.02.00)
32	KK033295		OVAL SCREW M16X95 12.9	(for A-saddle) (From 01.02.00)
33	KK012922		WASHER D17-D40X4.58	
34	KK013333		CONE SCREW M14X34	
35	KK063607		PLATE	
35	KK073607		PLATE CPL.	
36	KK013346		CONE SCREW M14X45 GALV.	
37	KK033107		OVAL SCREW M12X35	
38	KK073614		WEARING PART FOR LONG LANDSIDE	
39	KK013332		CONE SCREW M14 X 34 12.9	
40	KK083235		FURROWSPLITTER WE	(From 01.12.01)
41	KK083090		QUICK FIT POINT	Body nr. 19 only
42	KK083012		QUICK FIT HOLDER CROSS RIGHT	Body nr. 19 only
42	KK083013		QUICK FIT HOLDER CROSS LEFT	Body nr. 19 only
43	KK083016R		SHARE QFS 14" R	Body nr. 19 only
43	KK083017R		SHARE QFS 14" L	Body nr. 19 only
43	KK083018R		SHARE QFS 16" R	Body nr. 19 only
43	KK083019R		SHARE QFS 16" L	Body nr. 19 only
43	KK083020R		SHARE QFS 18" R	Body nr. 19 only
43	KK083021R		SHARE QFS 18" L	Body nr. 19 only
43	KK083022R		QUICK FIT REAR SHARE RIGHT 20 INCH	Body nr. 19 only
43	KK083023R		QUICK FIT REAR SHARE LEFT 20 INCH	Body nr. 19 only
44	KK013334		CONE SCREW M14X34 OVAL HEAD	Body nr. 19 only
45	KK083091		EJECTOR KEY	Body nr. 19 only
46	KK015825		NUT M16	
100	KK053090		REVERSIBLE POINT RIGHT	
100	KK063090		REVERSIBLE POINT LEFT	
101	KK013228		CONE SCREW M12X34 12.9	
102	KK073634		ECO SHARE RIGHT	
102	KK073635		ECO SHARE LEFT	
103	KK010155		BUSHING D17- D38X27	(for A-saddle)
103	KK010156		BUSHING D17-D38X40	(for MZ, AB, AD, BB, DA, DC, CC, BE)
104	KK032740		HEX BOLT M16X40 10.9	(for E-saddle; Before 01.03.00)
104	KK032750		HEX BOLT M16X50 10.9	(for E-saddle; From 01.03.00)
104	KK032765		HEX BOLT M16X65 10.9	(for A-saddle)
104	KK032775		HEX BOLT M16X75 10.9	(for MZ, AB, AD, BB, DA, DC, CC, BE)

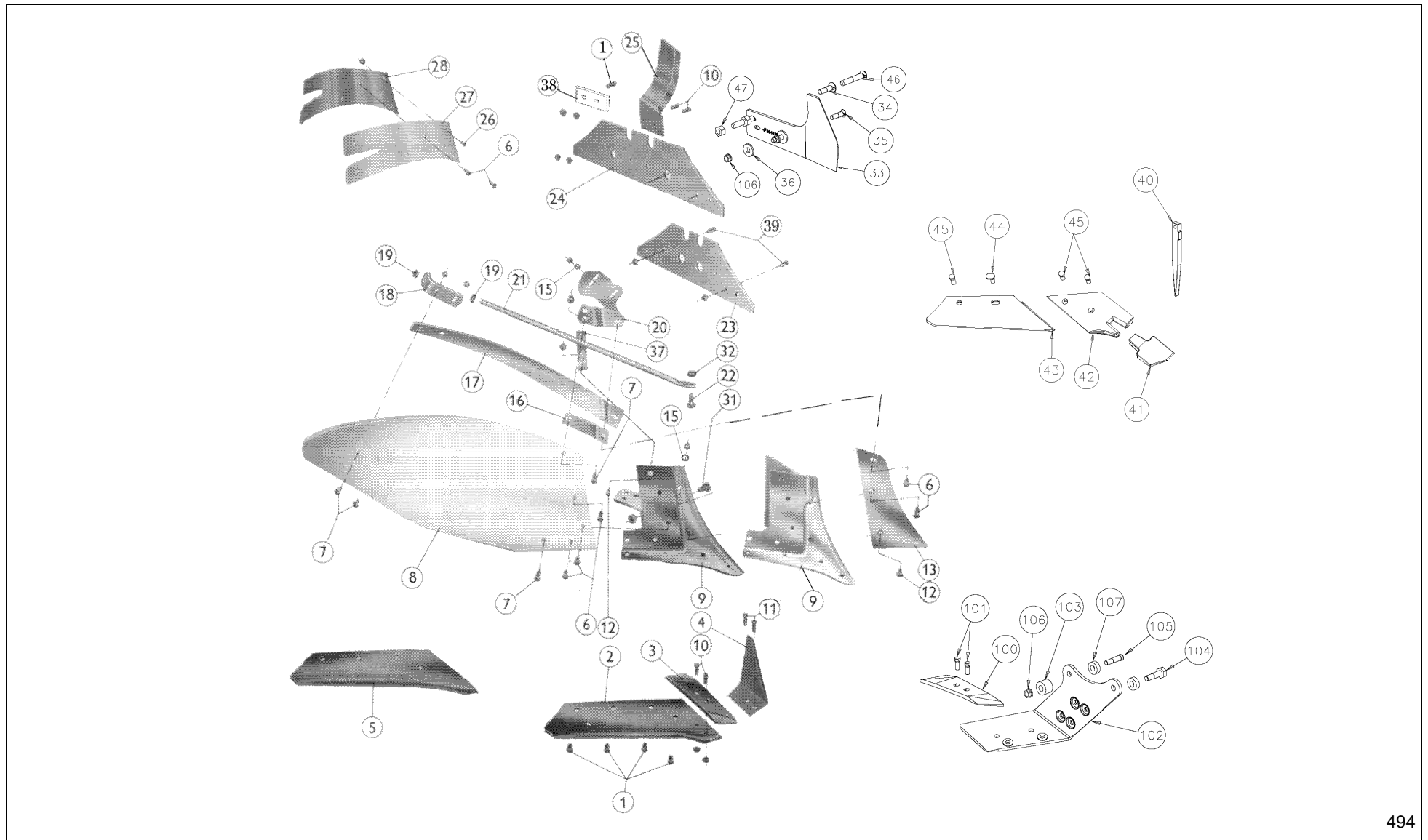


ESLS / BODY NO 12, 15 & 19



PosNo.	Part No.	Qty.	Description	Remark
105	KK013346		CONE SCREW M14X45 GALV.	(for E-saddle) (Before 01.03.00)
105	KK013361		CONE SCREW M14X60 12.9	(for E-saddle; From 01.03.00)
105	KK013385		CONE SCREW M14X85 10.9 GALV.	(for A-saddle)
106	KK016015		FLANGE NUT M14 GALV.	
107	KK012929		WASHER D16.5XD35.0X12.0	(for E-saddle; From 01.03.00)

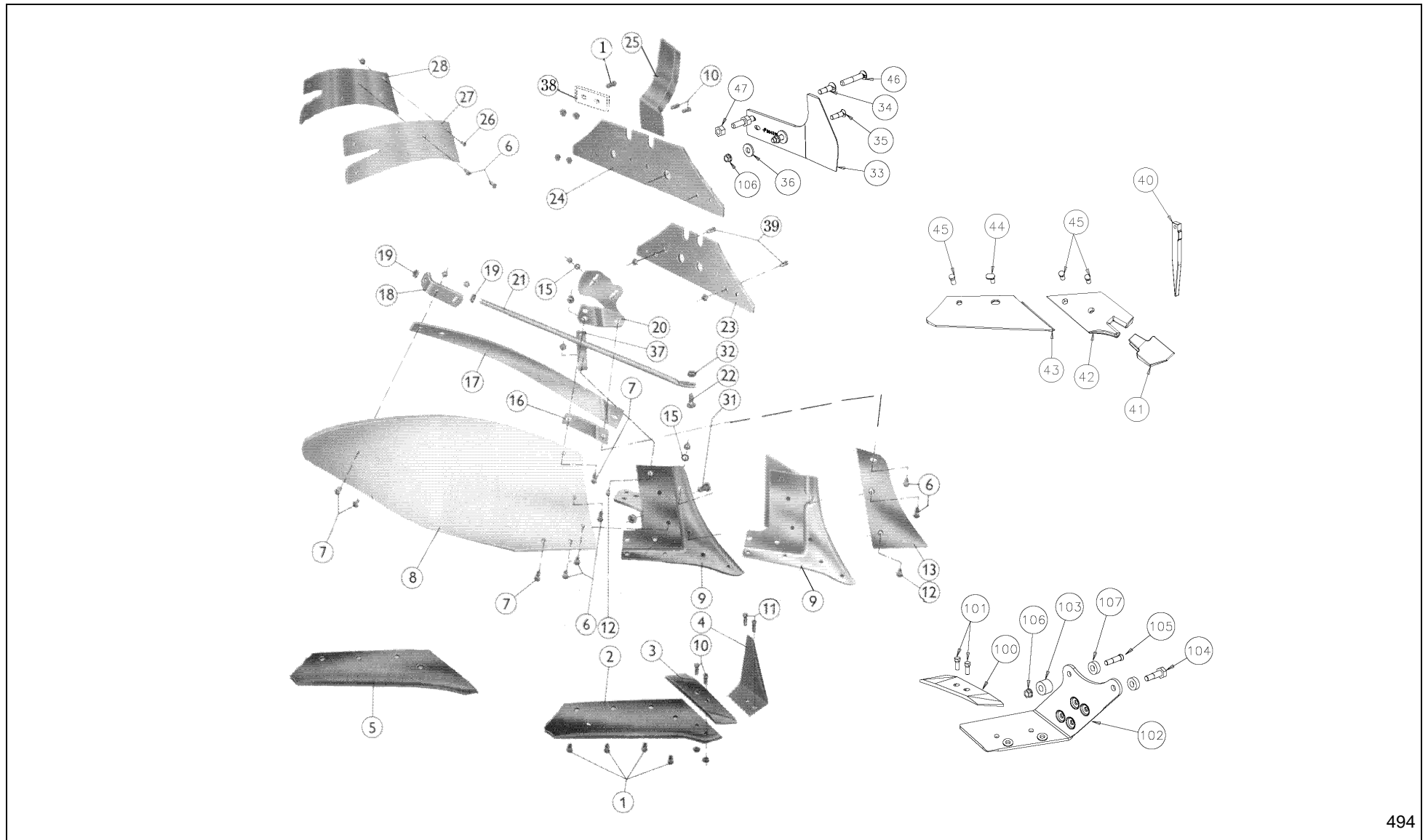
ESLS / BODY NR 14 (PLASTIC MOULDBOARD)



ESLS / BODY NR 14 (PLASTIC MOULDBOARD)

PosNo.	Part No.	Qty.	Description	Remark
1	KK013332		CONE SCREW M14 X 34 12.9	
2	KK073054		SHARE 14 REVERSIBLE POINT RIGHT	
2	KK073055		SHARE 14 REVERSIBLE POINT LEFT	
2	KK073056		SHARE 16 REVERSIBLE POINT RIGHT	
2	KK073057		SHARE 16 REVERSIBLE POINT LEFT	
2	KK073080		SHARE 18 REVERSIBLE POINT RIGHT	
2	KK073081		SHARE 18 REVERSIBLE POINT LEFT	
3	KK053090		REVERSIBLE POINT RIGHT	
3	KK063090		REVERSIBLE POINT LEFT	
4	KK073091		SHARE KNIFE, R	
4	KK073092		SHARE KNIFE, L	
5	KK073062		SHARE 14 FIXED POINT RIGHT	
5	KK073063		SHARE 14 FIXED POINT LEFT	
5	KK073064		SHARE 16 FIXED POINT RIGHT	
5	KK073065		SHARE 16 FIXED POINT LEFT	
6	KK033118		OVAL SCREW M12X40 GALV.	
7	KK033119		OVAL SCREW M12X50 GALV.	
8	KK073278		MOULDBOARD NO.14 RIGHT	
8	KK073279		MOULDBOARD NO.14 LEFT	
9	KK073470		SADDLE E NO.14&20 RIGHT	
9	KK073471		SADDLE E NO.14&20 LEFT	
9	KK073464		SADDLE A NO.14&20 RIGHT	
9	KK073465		SADDLE A NO.14&20 LEFT	
10	KK013228		CONE SCREW M12X34 12.9	(for A-saddle)
11	KK013234		CONE SCREW M12X382F 12.9	
12	KK033100		OVAL SCREW M12X30	
13	KK073272		SHIN PIECE NO.14&20 RIGHT	
13	KK073273		SHIN PIECE NO.14&20 LEFT	
15	KK012919		WASHER D13.0XD24.0X2.50	
16	KK073275		CONNECTING PIECE NR.20 RIGHT	
16	KK073276		CONNECTING PIECE NR.20 LEFT	
17	KK073338		SUPPORT NO.14 RIGHT	
17	KK073339		SUPPORT NO.14 LEFT	
18	KK073800		BRACKET FOR STAY RIGHT	
18	KK073801		BRACKET FOR STAY LEFT	
19	KK015834		NUT M20 H12 GALV.	
20	KK073328		BRACKET FOR TRASHBOARD RIGHT	
20	KK073329		BRACKET FOR TRASHBOARD LEFT	
21	KK073829		STAY E-SADDLE R/L	
21	KK073826		STAY A-SADDLE R/L	

ESLS / BODY NR 14 (PLASTIC MOULDBOARD)

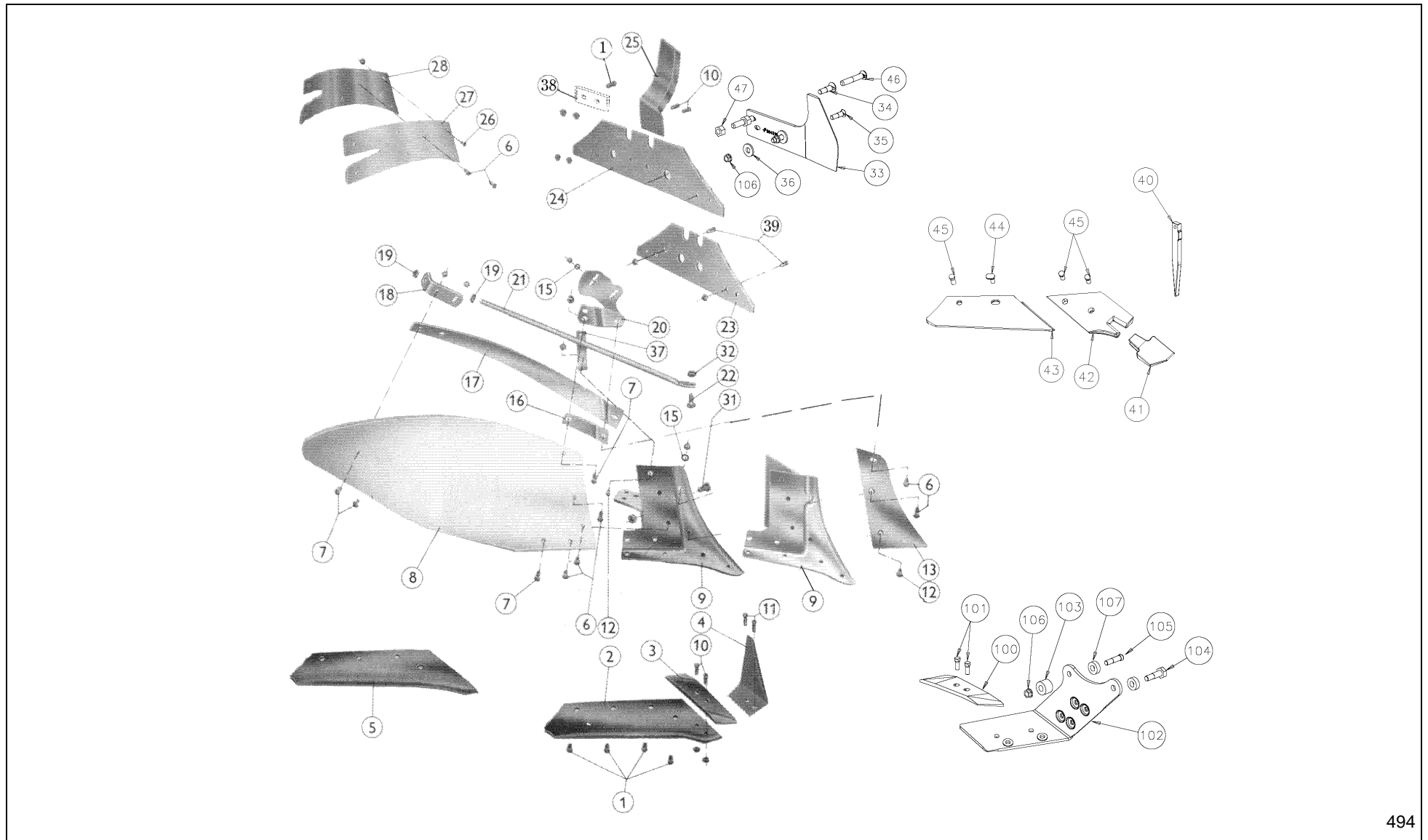


ESLS / BODY NR 14 (PLASTIC MOULDBOARD)



PosNo.	Part No.	Qty.	Description	Remark
22	KK032735		HEX BOLT M16X35 10.9	
23	KK073608		LANDSIDE SHORT R/L	
24	KK073609		LANDSIDE LONG R/L	
25	KK073615		FURROW WIDENER RH	
25	KK073616		FURROW WIDENER LH	
26	KK033004		OVAL SCREW M10X20 GALV.	
27	KK073350		TRASHBOARD PLASTIC RIGHT	
27	KK073351		TRASHBOARD PLASTIC LEFT	
28	KK073352		SUPPORT PLATE RIGHT	
28	KK073353		SUPPORT PLATE LEFT	
29	KK053387		MOULDBOARD EXTENSION RIGHT	
29	KK063388		MOULDBOARD EXTENSION LEFT	
31	KK032730		HEX BOLT M16X30 10.9	
32	KK062025		ADJUSTABLE NUT M16 GALV.	
33	KK084320R		LANDSIDE KNIFE R.H.	
33	KK084321R		LANDSIDE KNIFE L.H.	
34	KK033251		OVAL SCREW M16X50 12.9	(for E-saddle; Before 01.02.00)
34	KK033256		OVAL SCREW M16X55 12.9	(for E-saddle; From 01.02.00)
35	KK033175		OVAL SCREW M14X50 10.9 EZ GUL	
36	KK012922		WASHER D17-D40X4.58	
37	KK073354		SUPPORT FOR BRACKET RIGHT & LEFT	
38	KK073614		WEARING PART FOR LONG LANDSIDE	
39	KK013333		CONE SCREW M14X34	
40	KK083091		EJECTOR KEY	
41	KK083090		QUICK FIT POINT	
42	KK083012		QUICK FIT HOLDER CROSS RIGHT	
42	KK083013		QUICK FIT HOLDER CROSS LEFT	
43	KK083016R		SHARE QFS 14" R	
43	KK083017R		SHARE QFS 14" L	
43	KK083018R		SHARE QFS 16" R	
43	KK083019R		SHARE QFS 16" L	
44	KK013334		CONE SCREW M14X34 OVAL HEAD	
45	KK013332		CONE SCREW M14 X 34 12.9	
46	KK033286		OVAL SCREW M16X85 12.9	(for A-saddle; Before 01.02.00)
46	KK033295		OVAL SCREW M16X95 12.9	(for A-saddle; From 01.02.00)
47	KK015825		NUT M16	
100	KK053090		REVERSIBLE POINT RIGHT	
100	KK063090		REVERSIBLE POINT LEFT	
101	KK013228		CONE SCREW M12X34 12.9	
102	KK073634		ECO SHARE RIGHT	

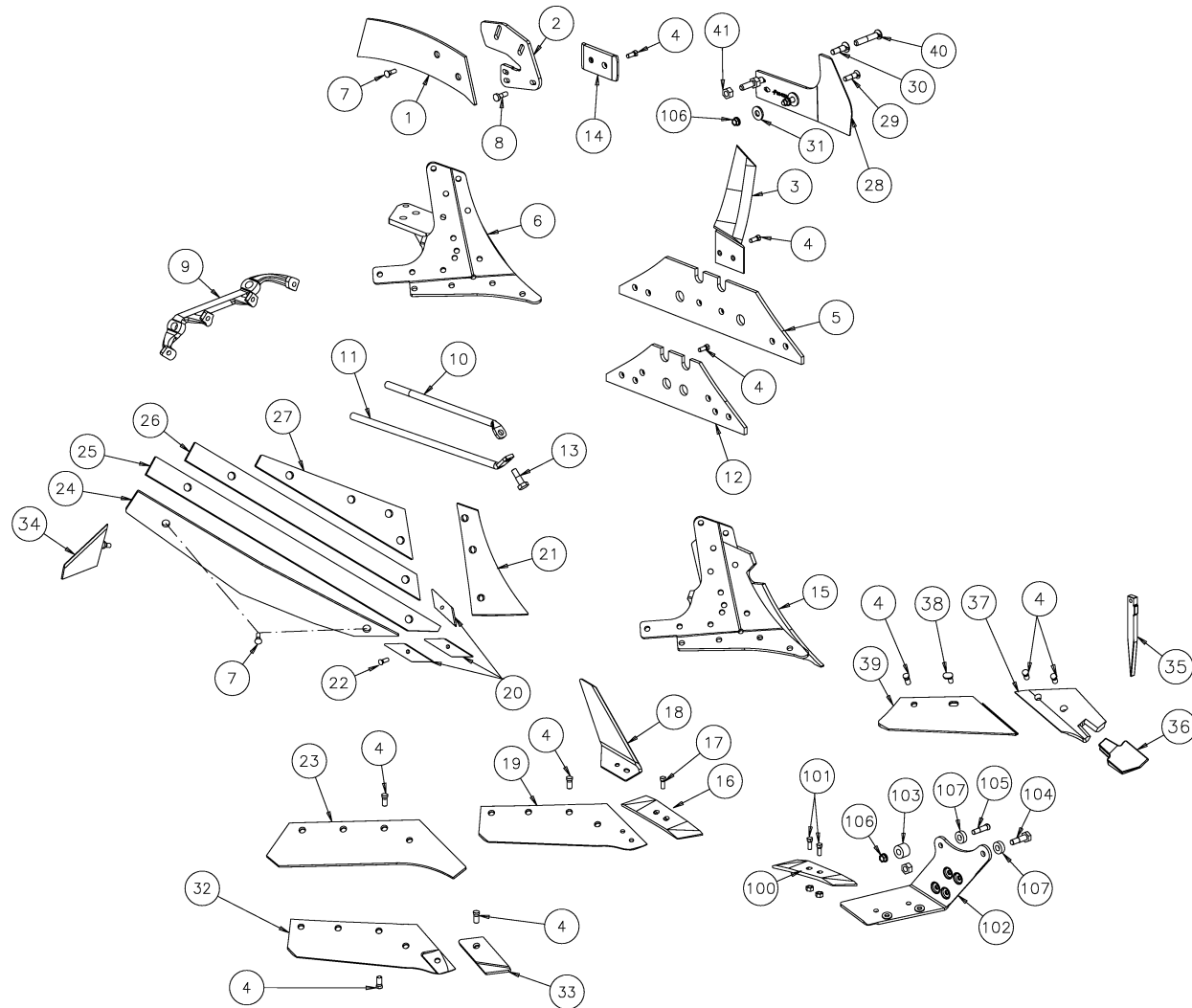
ESLS / BODY NR 14 (PLASTIC MOULDBOARD)



ESLS / BODY NR 14 (PLASTIC MOULDBOARD)



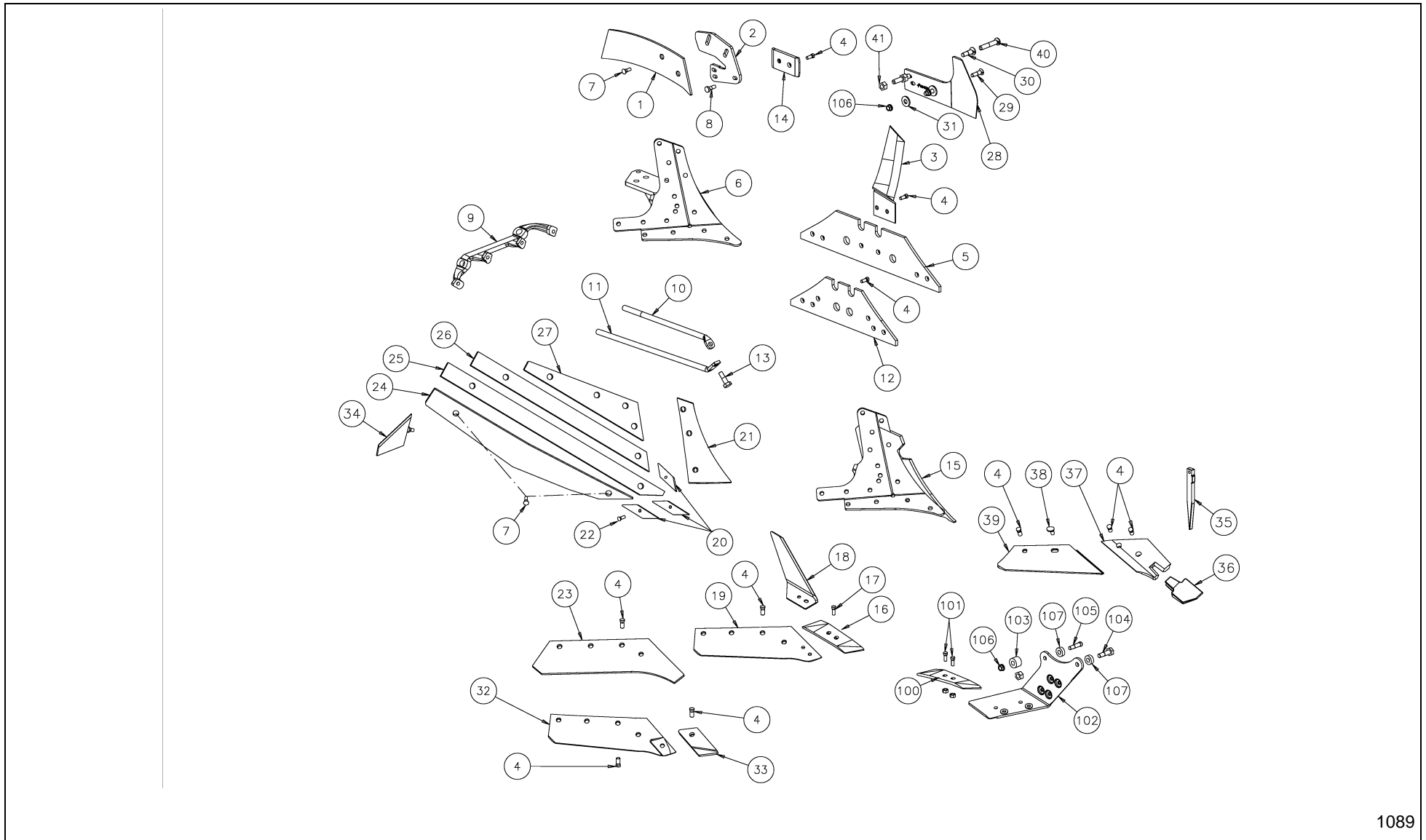
PosNo.	Part No.	Qty.	Description	Remark
102	KK073635		ECO SHARE LEFT	
103	KK010155		BUSHING D17- D38X27	(for A-saddle)
103	KK010156		BUSHING D17-D38X40	(for MZ, AB, AD, BB, DA, DC, CC, BE)
104	KK032740		HEX BOLT M16X40 10.9	(for E-saddle; Before 01.03.00)
104	KK032750		HEX BOLT M16X50 10.9	(for E-saddle; From 01.03.00)
104	KK032765		HEX BOLT M16X65 10.9	(for A-saddle)
104	KK032775		HEX BOLT M16X75 10.9	(for MZ, AB, AD, BB, DA, DC, CC, BE)
105	KK013346		CONE SCREW M14X45 GALV.	(for E-saddle; Before 01.03.00)
105	KK013361		CONE SCREW M14X60 12.9	(for E-saddle; From 01.03.00)
105	KK013385		CONE SCREW M14X85 10.9 GALV.	(for A-saddle)
106	KK016015		FLANGE NUT M14 GALV.	
107	KK012929		WASHER D16.5XD35.0X12.0	(for E-saddle; From 01.03.00)



ESLS / BODY NO. 30 (AND NO. 29 BEFORE 01.01.05)



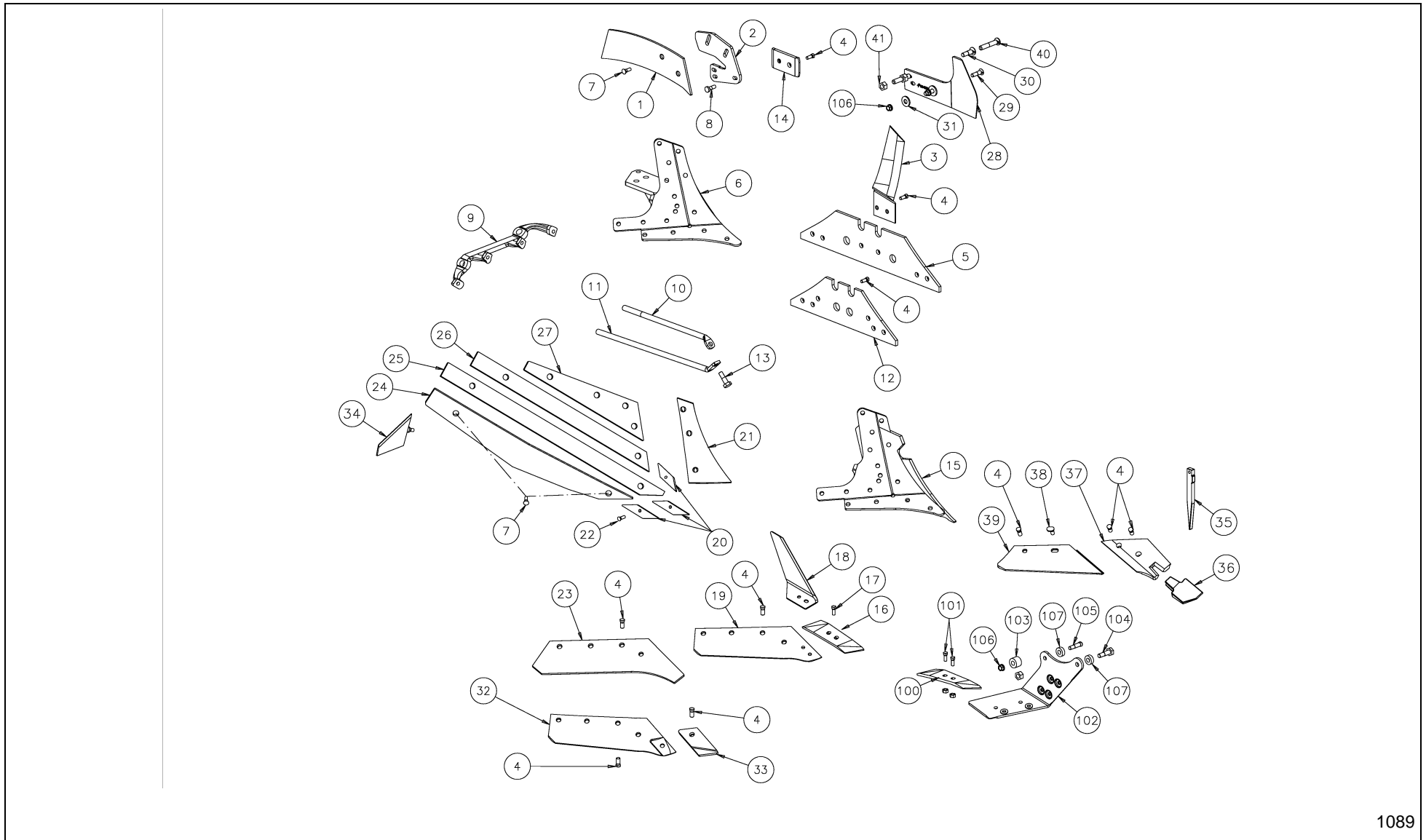
PosNo.	Part No.	Qty.	Description	Remark
1	KK073300		TRASHBOARD RIGHT	
1	KK073301		TRASHBOARD LEFT	
2	KK083300		TRASHBOARD BRACKET R BODY NO 30	
2	KK083301		TRASHBOARD BRACKET L BODY NO 30	
3	KK073615		FURROW WIDENER RH	
3	KK073616		FURROW WIDENER LH	
4	KK013332		CONE SCREW M14 X 34 12.9	
4	KK016013		FLANGE NUT M14 KEY19	
5	KK073609		LANDSIDE LONG R/L	
6	KK083417		E-SADDLE WE RIGHT BODY NO 29	
6	KK083418		E-SADDLE WE LEFT BODY NO 29	
6	KK083408		E-SADDLE WE RIGHT BODY NO 30	
6	KK083409		E-SADDLE WE LEFT BODY NO 30	
7	KK033116		OVAL SCREW M12X35	
7	KK015817		NUT M12 GALV.	
7	KK033107		OVAL SCREW M12X35	(for body no. 30; Before 01.01.01)
7	KK015817		NUT M12 GALV.	
8	KK033117		OVAL SCREW M12X45	
8	KK015817		NUT M12 GALV.	
8	KK033111		OVAL SCREW M12X45 GALV.	(for body no. 30; Before 01.01.01)
8	KK015817		NUT M12 GALV.	
9	KK083210		SLAT SUPPORT RIGHT	
9	KK083220		SLAT SUPPORT LEFT	
10	KK083803		STAY NO 2 SADDLE A&E BODY NO 30	
11	KK083805		STAY NO. 1 A-SADDLE BODY NO 29	
11	KK083806		STAY NO. 2 A-SADDLE BODY NO 29	
11	KK083802		STAY NO 1 A-SADDLE BODY NO 30	
11	KK083807		STAY NO. 1 E-SADDLE BODY NO 29	
11	KK083808		STAY NO. 2 E-SADDLE BODY NO 29	
11	KK083804		STAY NO 1 E-SADDLE BODY NO 30	
12	KK073608		LANDSIDE SHORT R/L	
13	KK032750		HEX BOLT M16X50 10.9	
13	KK015825		NUT M16	
14	KK073614		WEARING PART FOR LONG LANDSIDE	
15	KK083415		A-SADDLE WE RIGHT BODY NO 29	
15	KK083416		A-SADDLE WE LEFT BODY NO 29	
15	KK083406		A-SADDLE WE RIGHT BODY NO 30	
15	KK083407		A-SADDLE WE LEFT BODY NO 30	
16	KK053090		REVERSIBLE POINT RIGHT	
16	KK063090		REVERSIBLE POINT LEFT	



ESLS / BODY NO. 30 (AND NO. 29 BEFORE 01.01.05)



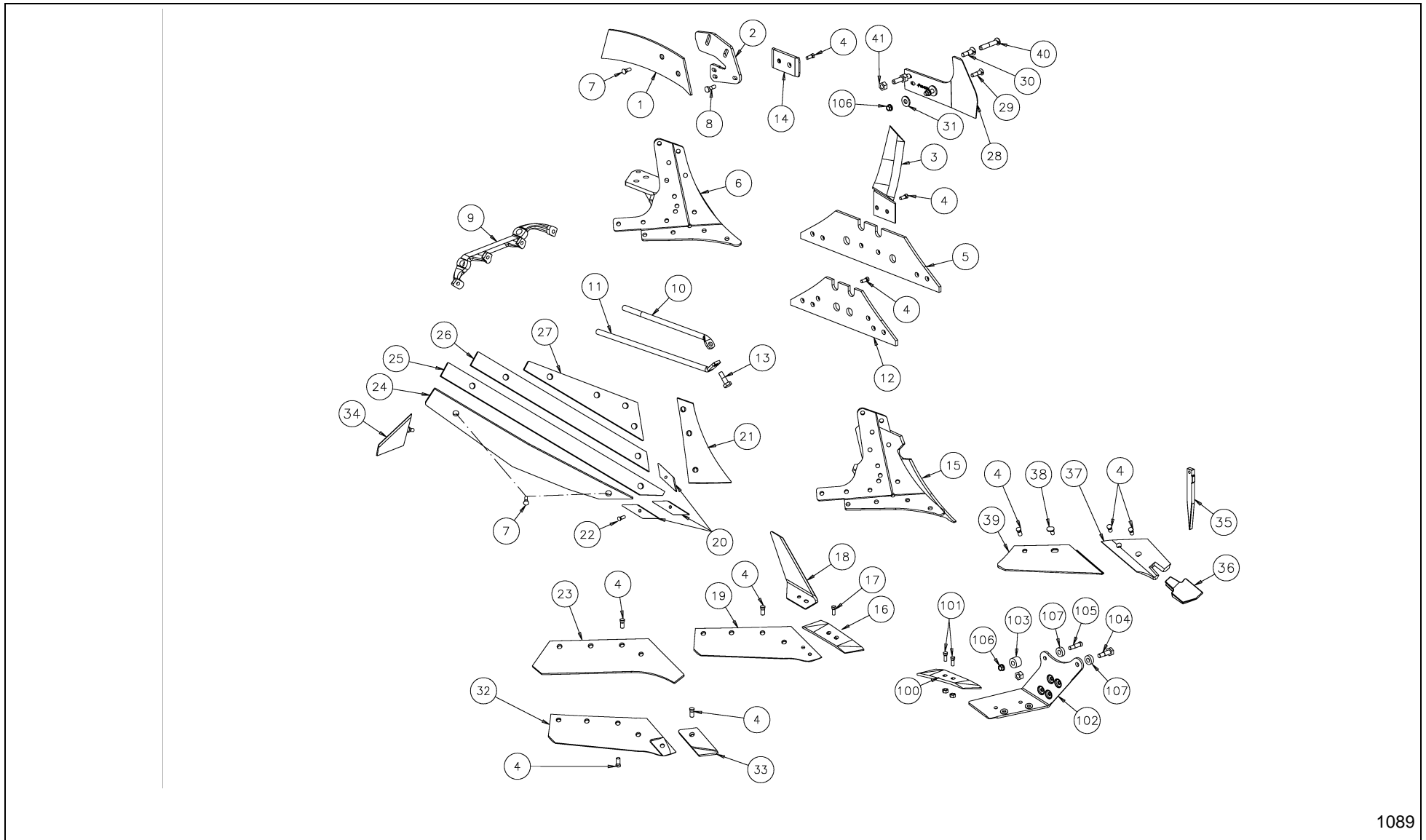
PosNo.	Part No.	Qty.	Description	Remark
17	KK013228		CONE SCREW M12X34 12.9	
17	KK015817		NUT M12 GALV.	
18	KK073091		SHARE KNIFE, R	
18	KK073092		SHARE KNIFE, L	
18	KK063091		SHARE KNIFE, R	(for Sweden)
18	KK063092		SHARE KNIFE, L	(for Sweden)
19	KK073002		SHARE 14 F/REV.POINT RIGHT	(for body no. 29)
19	KK073003		SHARE 14 F/REV.POINT LEFT	(for body no. 29)
19	KK073054		SHARE 14 REVERSIBLE POINT RIGHT	(for body no. 30)
19	KK073055		SHARE 14 REVERSIBLE POINT LEFT	(for body no. 30)
19	KK073004		SHARE 16 F/REV.POINT RIGHT	(for body no. 29)
19	KK073005		SHARE 16 F/REV.POINT LEFT	(for body no. 29)
19	KK073056		SHARE 16 REVERSIBLE POINT RIGHT	(for body no. 30)
19	KK073057		SHARE 16 REVERSIBLE POINT LEFT	(for body no. 30)
19	KK073006		SHARE 18 F/REV.POINT RIGHT	(for body no. 29)
19	KK073007		SHARE 18 F/REV.POINT LEFT	(for body no. 29)
19	KK073080		SHARE 18 REVERSIBLE POINT RIGHT	(for body no. 30)
19	KK073081		SHARE 18 REVERSIBLE POINT LEFT	(for body no. 30)
20	KK083215		CONNECTING PIECE NO 1	(for slat 1-2)
20	KK083218		CONNECTING PIECE NO.2 BODY NO 29	(for slat 2; for body no. 29)
20	KK083216		CONNECTING PIECE NO 2 BODY NO 30	(for slat 2-3; for body no. 30)
20	KK083217		CONNECTING PIECE NO 3	(for slat 3-4)
21	KK073256		SHINPIECE 12-20 NO.6&9 RIGHT	(for body no. 29)
21	KK073257		SHINPIECE 12-20 NO.6&9 LEFT	(for body no. 29)
21	KK073230		SHINPIECE NO.19 AND 30 RIGHT	(for body no. 30)
21	KK073231		SHINPIECE NO.19 AND 30 LEFT	(for body no. 30)
22	KK033006		OVAL SCREW M10X30	(for body no. 29)
22	KK015813		NUT M10 GALV.	
22	KK033016		OVAL SCREW M10X30 GALV.	(for body no. 30)
22	KK015813		NUT M10 GALV.	
23	KK073062		SHARE 14 FIXED POINT RIGHT	(for body no. 30)
23	KK073063		SHARE 14 FIXED POINT LEFT	(for body no. 30)
23	KK073064		SHARE 16 FIXED POINT RIGHT	(for body no. 30)
23	KK073065		SHARE 16 FIXED POINT LEFT	(for body no. 30)
24	KK083211		SLAT NO.1 RIGHT	
24	KK083221		SLAT NO.1 LEFT	
25	KK083212		SLAT NO.2 RIGHT	
25	KK083222		SLAT NO.2 LEFT	
26	KK083213		SLAT NO.3 RIGHT	
26	KK083223		SLAT NO.3 LEFT	



ESLS / BODY NO. 30 (AND NO. 29 BEFORE 01.01.05)



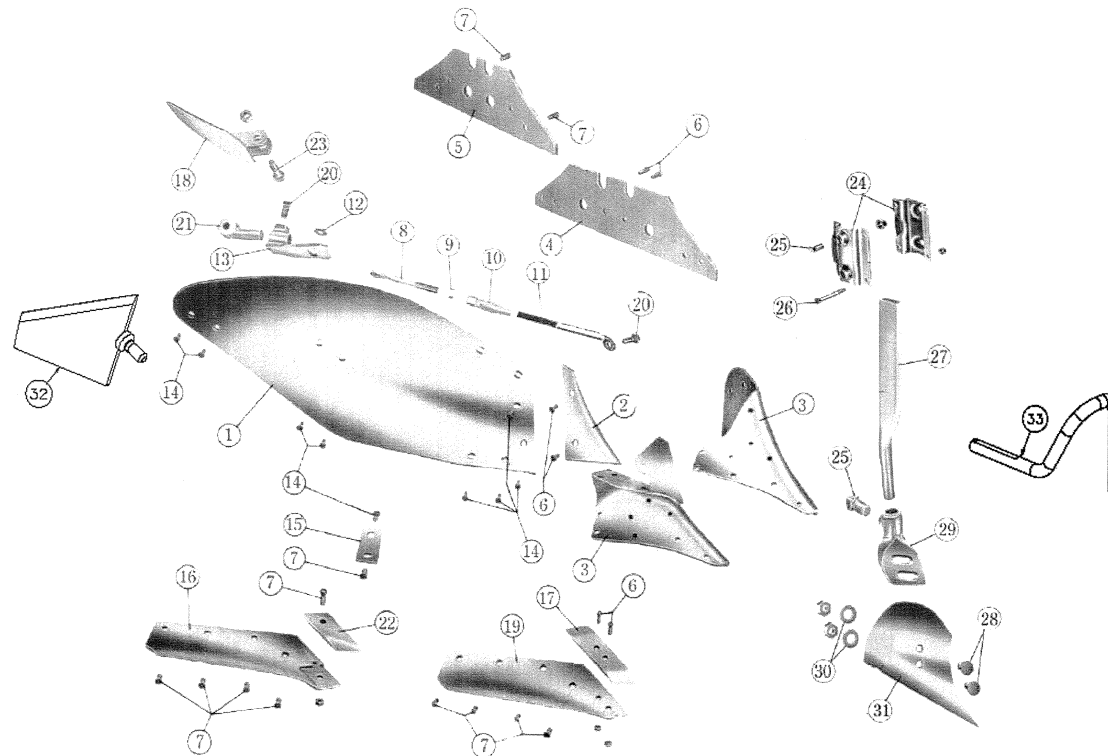
PosNo.	Part No.	Qty.	Description	Remark
27	KK083214		SLAT NO.4 RIGHT	
27	KK083224		SLAT NO.4 LEFT	
28	KK084320R		LANDSIDE KNIFE R.H.	
28	KK084321R		LANDSIDE KNIFE L.H.	
29	KK033175		OVAL SCREW M14X50 10.9 EZ GUL	
30	KK033251		OVAL SCREW M16X50 12.9	(for E-saddle) (Before 01.02.00)
30	KK033256		OVAL SCREW M16X55 12.9	(for E-saddle) (From 01.02.00)
31	KK012922		WASHER D17-D40X4.58	
32	KK073042		FLUSH FIT SHARE 14 R	(for body no. 29)
32	KK073043		FLUSH FIT SHARE 14 L	(for body no. 29)
32	KK073044		FLUSH FIT SHARE 16 R	(for body no. 29)
32	KK073045		FLUSH FIT SHARE 16 L	(for body no. 29)
33	KK073030		FLUSHPOINT RIGHT	(Before 01.01.05)
33	KK073031		FLUSHPOINT LEFT	(Before 01.01.05)
34	KK083235		FURROWSPLITTER WE	(From 01.12.01)
35	KK083091		EJECTOR KEY	
36	KK083090		QUICK FIT POINT	
37	KK083012		QUICK FIT HOLDER CROSS RIGHT	
37	KK083013		QUICK FIT HOLDER CROSS LEFT	
38	KK013334		CONE SCREW M14X34 OVAL HEAD	
39	KK083016R		SHARE QFS 14" R	
39	KK083017R		SHARE QFS 14" L	
39	KK083018R		SHARE QFS 16" R	
39	KK083019R		SHARE QFS 16" L	
39	KK083020R		SHARE QFS 18" R	
39	KK083021R		SHARE QFS 18" L	
39	KK083022R		QUICK FIT REAR SHARE RIGHT 20 INCH	
39	KK083023R		QUICK FIT REAR SHARE LEFT 20 INCH	
40	KK033286		OVAL SCREW M16X85 12.9	(for A-saddle) (Before 01.02.00)
40	KK033295		OVAL SCREW M16X95 12.9	(for A-saddle) (From 01.02.00)
41	KK015825		NUT M16	
100	KK053090		REVERSIBLE POINT RIGHT	
100	KK063090		REVERSIBLE POINT LEFT	
101	KK013228		CONE SCREW M12X34 12.9	
101	KK015817		NUT M12 GALV.	
102	KK073634		ECO SHARE RIGHT	
102	KK073635		ECO SHARE LEFT	
103	KK010155		BUSHING D17- D38X27	(for A-saddle)
103	KK010156		BUSHING D17-D38X40	(for MZ, AB, AD, BB, DA, DC, CC, BE)
104	KK032740		HEX BOLT M16X40 10.9	(for E-saddle) (Before 01.03.00)



ESLS / BODY NO. 30 (AND NO. 29 BEFORE 01.01.05)



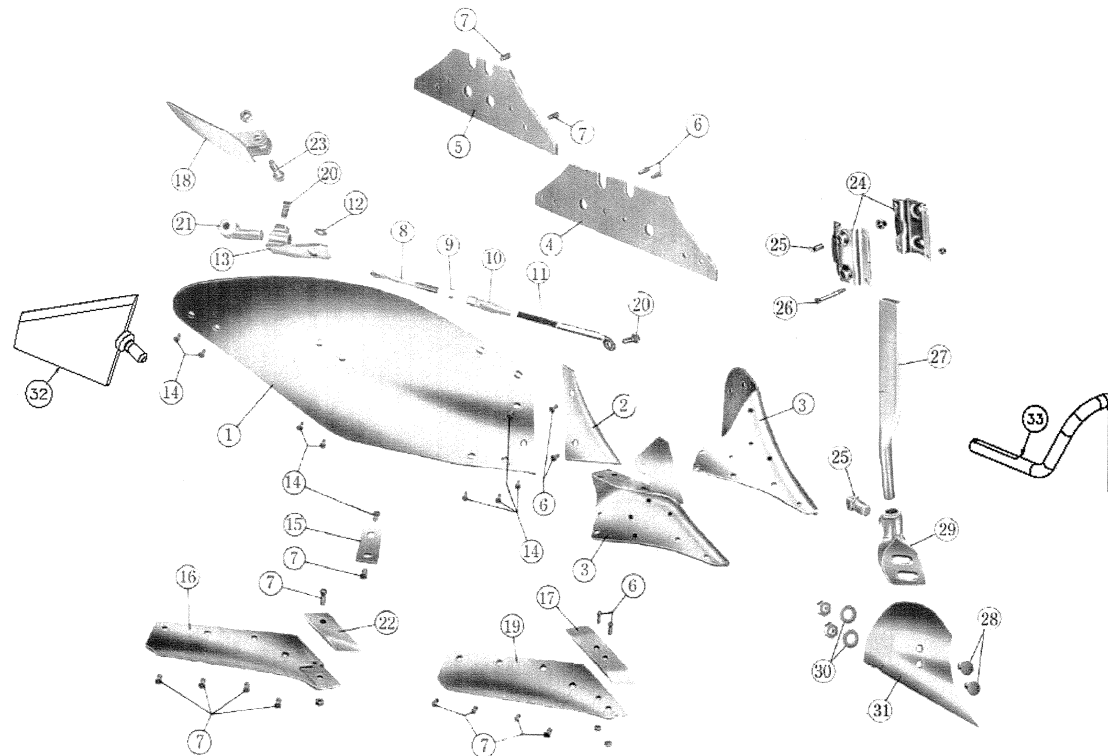
PosNo.	Part No.	Qty.	Description	Remark
104	KK032750		HEX BOLT M16X50 10.9	(for E-saddle) (From 01.03.00)
104	KK015825		NUT M16	
104	KK032765		HEX BOLT M16X65 10.9	(for A-saddle)
104	KK015825		NUT M16	
104	KK032775		HEX BOLT M16X75 10.9	(for MZ, AB, AD, BB, DA, DC, CC, BE)
104	KK015825		NUT M16	
105	KK013346		CONE SCREW M14X45 GALV.	(for E-saddle) (Before 01.03.00)
105	KK013361		CONE SCREW M14X60 12.9	(for E-saddle) (From 01.03.00)
105	KK013385		CONE SCREW M14X85 10.9 GALV.	(for A-saddle)
106	KK016015		FLANGE NUT M14 GALV.	
107	KK012929		WASHER D16.5XD35.0X12.0	(for E-saddle) (From 01.03.00)



ESLS / BODY NO. 25



PosNo.	Part No.	Qty.	Description	Remark
1	KK073102		MOULDBOARD NO.25 COMPETITION RIGHT	
1	KK073103		MOULDBOARD NO.25 COMPETITION LEFT	
2	KK073250		SHINPIECE 12-18 NO.8 RIGHT	
2	KK073251		SHINPIECE 12-18 NO. 8 LEFT	
3	KK073411		SADDLE A RIGHT	(for A-saddle)
3	KK073412		SADDLE A LEFT	(for A-saddle)
4	KK073609		LANDSIDE LONG R/L	
5	KK073608		LANDSIDE SHORT R/L	
6	KK013228		CONE SCREW M12X34 12.9	
7	KK013332		CONE SCREW M14 X 34 12.9	
8	KK073815		STAY REAR PART	(for A-saddle)
8	KK073845		STAY REAR PART NO.25	(for E-saddle)
9	KK015830		NUT M20	
10	KK073817		TURNBUCKLE SJK 500	
11	KK073818		STAY FRONT COMPETITION	(for A-saddle)
11	KK073844		STAY FRONT PART NO.25	(for E-saddle)
12	KK012919		WASHER D13.0XD24.0X2.50	
13	KK053340		BRACKET EXTENSION WELDED L. NO 25	
13	KK053392		EXTENSION BRACKET	
14	KK033107		OVAL SCREW M12X35	
15	KK073254		CONNECTION PIECE RIGHT	
15	KK073255		CONNECTION PIECE LEFT	
16	KK073040		FLUSH FIT SHARE 12 R	Before 01.01.05
16	KK073041		FLUSH FIT SHARE 12 L	Before 01.01.05
16	KK073042		FLUSH FIT SHARE 14 R	Before 01.01.05
16	KK073043		FLUSH FIT SHARE 14 L	Before 01.01.05
16	KK073044		FLUSH FIT SHARE 16 R	Before 01.01.05
16	KK073045		FLUSH FIT SHARE 16 L	Before 01.01.05
17	KK053090		REVERSIBLE POINT RIGHT	
17	KK063090		REVERSIBLE POINT LEFT	
18	KK053330		MOULD BOARD EXTENSION WELDED L.	
18	KK053390		MOULDBOARD EXTENSION	
19	KK073000		SHARE 12 F/REV.POINT RIGHT	(30 cm)
19	KK073001		SHARE 12 F/REV.POINT LEFT	(30 cm)
19	KK073002		SHARE 14 F/REV.POINT RIGHT	(35 cm)
19	KK073003		SHARE 14 F/REV.POINT LEFT	(35 cm)
19	KK073004		SHARE 16 F/REV.POINT RIGHT	(40 cm)
19	KK073005		SHARE 16 F/REV.POINT LEFT	(40 cm)
19	KK073006		SHARE 18 F/REV.POINT RIGHT	
19	KK073007		SHARE 18 F/REV.POINT LEFT	

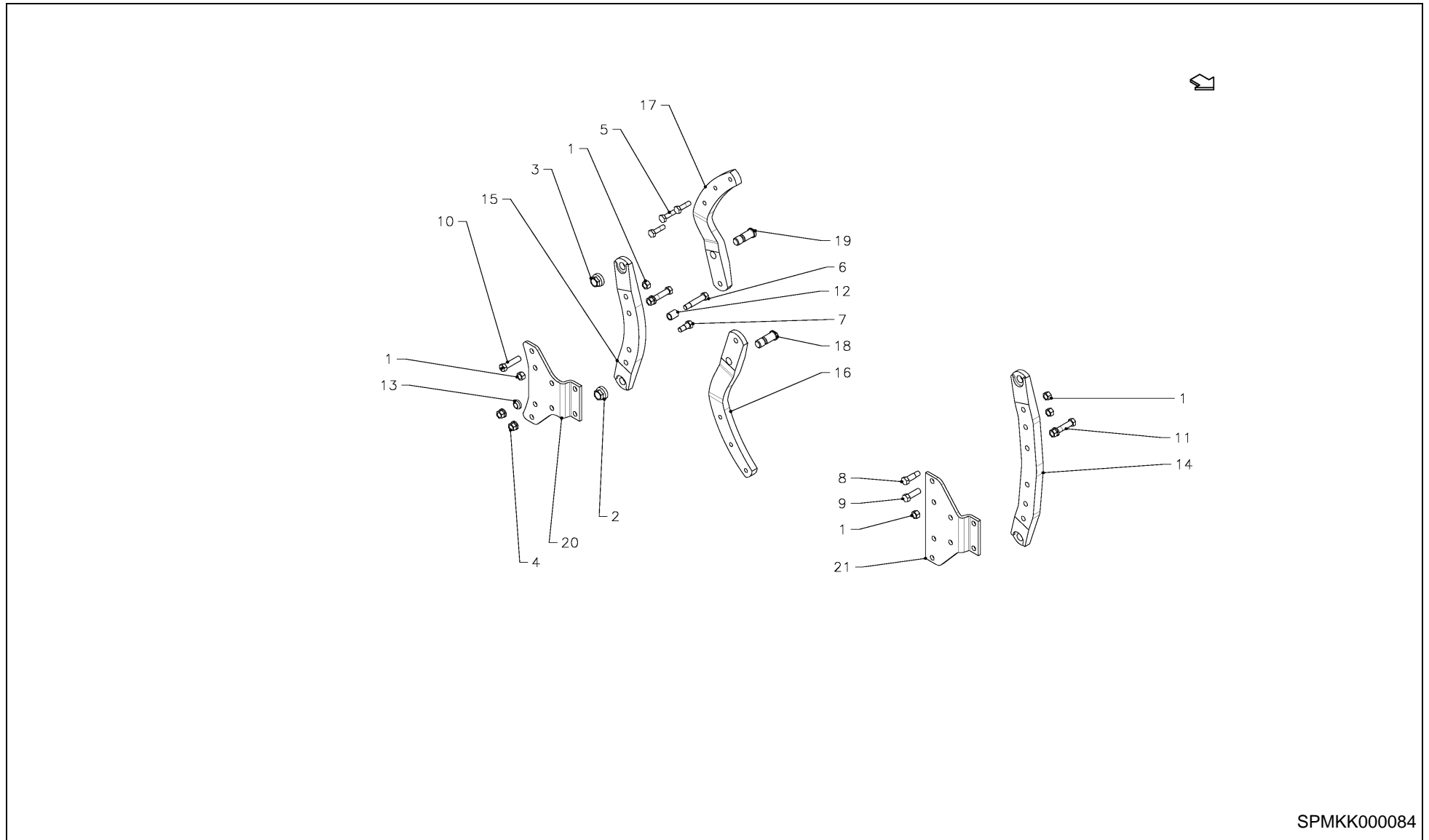


ESLS / BODY NO. 25



PosNo.	Part No.	Qty.	Description	Remark
20	KK034228		SET SCREW M16X32 GALV.	
21	KK053391		LINK	
22	KK073030		FLUSHPOINT RIGHT	Before 01.01.05
22	KK073031		FLUSHPOINT LEFT	Before 01.01.05
23	KK032755		HEX BOLT M16X55 10.9	
24	KK066861		BRACKET FOR SKIMMER ARM	
25	KK034228		SET SCREW M16X32 GALV.	
26	KK032795		HEX BOLT M16X95 10.9	
27	KK066832		SKIMMER ARM	(for ES)
28	KK033006		OVAL SCREW M10X30	
29	KK056856		SKIMMER-HOLDER R	(for ES)
29	KK056083		SKIMMER HOLDER FOR DISC COULTER	(for ME)
29	KK066830		SKIMMER HOLDER LEFT	(for ES)
30	KK012906		WASHER D11-D25X3.5	
31	KK066810		SKIMMER PLATE	
31	KK066831		SKIMMER LEFT	
32	KK083235		FURROWSPLITTER WE	(From 01.12.01)
33	KK056062		SKIMMER ARM	(for ME)
Not ill.	KK073819		STAY CLP. COMPETITION	(for A-saddle)
Not ill.	KK073843		STAY COMPLETE COMPETITION E-SADDLE	(for E-saddle)
Not ill.	KK050373		MOULDBOARD EXTENSION BODY NO.25 R	
Not ill.	KK050374		MOULDBOARD EXTENSION BODY NO.25 L	

ESLS / BEAM (SHEAR BOLT)

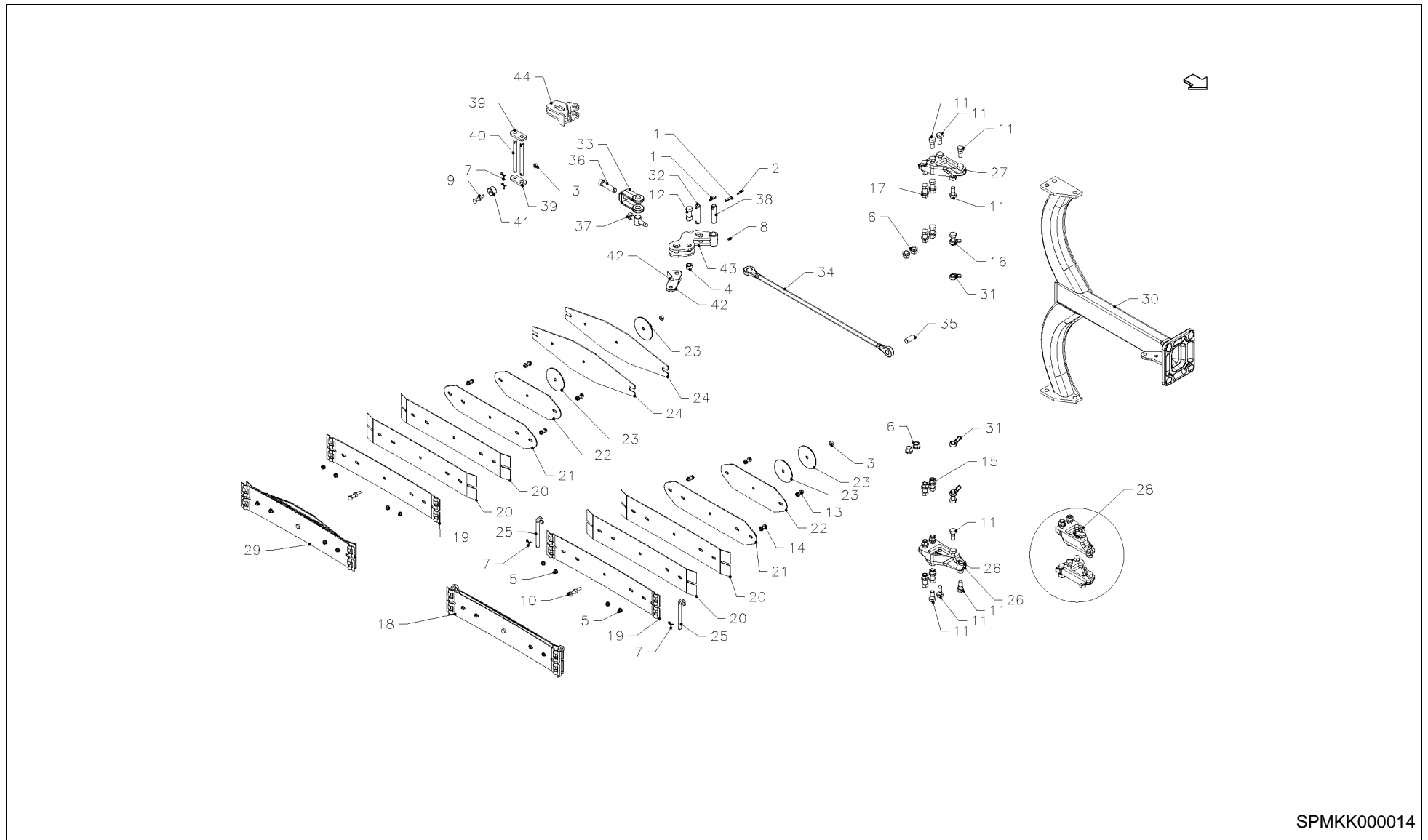


SPMKK000084

ESLS / BEAM (SHEAR BOLT)

PosNo.	Part No.	Qty.	Description	Remark
1	KK015830		NUT M20	
2	KK016022		FLANGE NUT M30 10 KEY36	
3	KK016045		FLANGE NUT M30 LEFT KEY 36	
4	KK016049		FLANGE NUT M20 WITH LOCK	
5	KK032762		HEX BOLT M16X60 12.9	
6	KK032807		HEX BOLT M20X100 10.9	
7	KK032845		HEX BOLT M20X45 10.9	
8	KK032865		HEX BOLT M20X65 10.9	
9	KK035060		SHEAR BOLT M20X62	
10	KK035072		SHEAR BOLT M20X88	
11	KK035215		HEX BOLT M20X80 W/NUT	
12	KK061515		BUSHING D20.5-D28X35.2	
13	KK062020		ADJUSTABLE PIECE M20	
14	KK071270R		CENTER SECT. SHEARBOLT BEAM H=800	
15	KK071271R		CENTER SECT. SHEARBOLT BEAM H=700	
16	KK071272R		RIGHT SECTION SHEARBOLT BEAM	
17	KK071273R		LEFT SECTION SHEARBOLT BEAM	
18	KK071274		BOLT M30 R.HAND THREAD L=84	
19	KK071275		BOLT M30 L.HAND THREAD L= 84	
20	KK074910R		PLATE FOR SHARE BOLT BEAM	
21	KK074911R		PLATE FOR BEAM H=800	

ESLS / BEAM - AUTO RESET



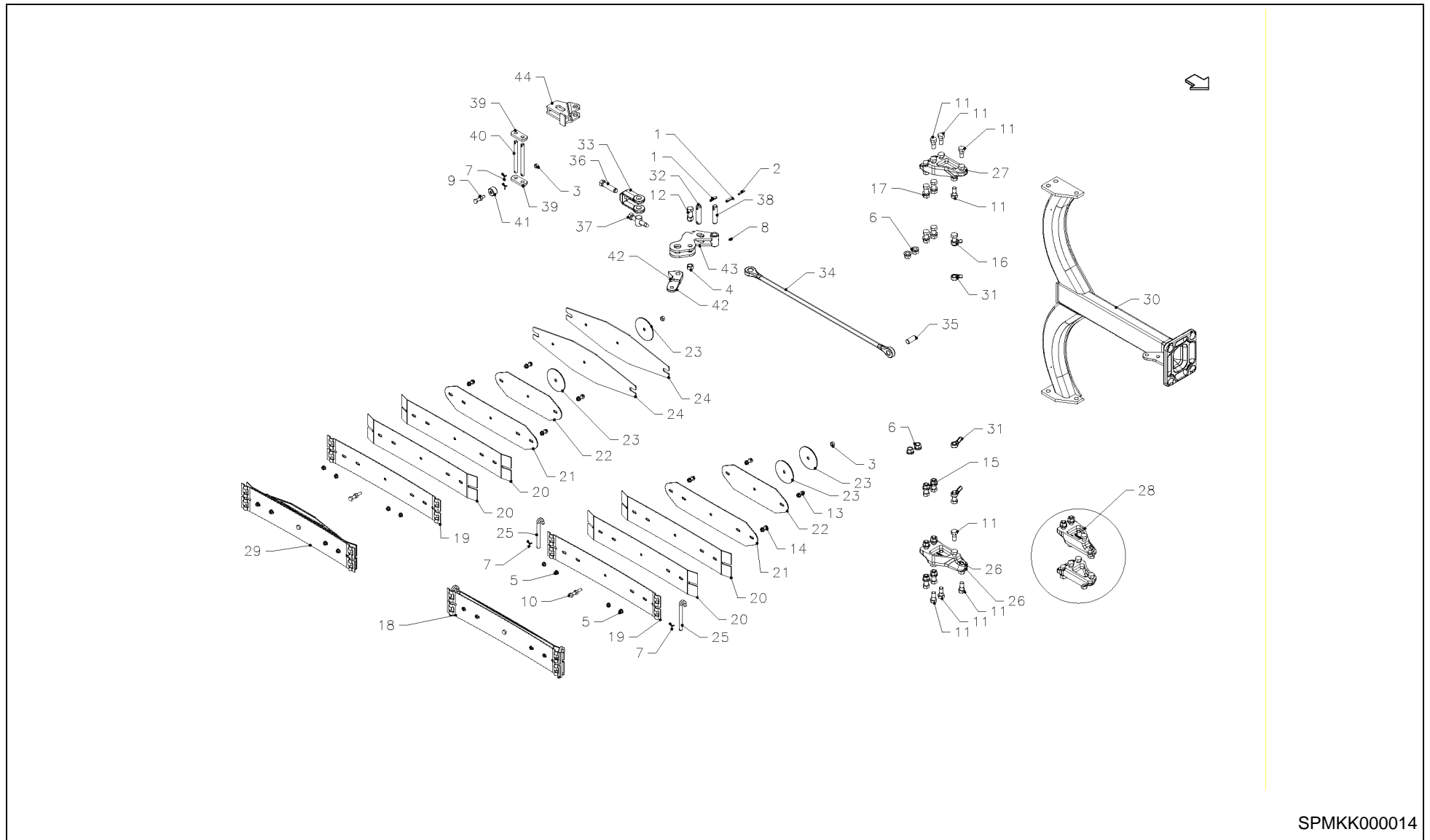
SPMKK000014

ESLS / BEAM - AUTO RESET



PosNo.	Part No.	Qty.	Description	Remark
1	KK011037		ROLL PIN D10X40 GALV.	
2	KK011042		ROLL PIN D6X40 DIN 1481 GALV.	
3	KK015817		NUT M12 GALV.	
4	KK015830		NUT M20	
5	KK016007		FLANGE NUT M10	
6	KK016012		FLANGE NUT M20	
7	KK029727		SPLIT PIN D2X32	
8	KK029920		GREASE NIPPLE M8X1 STRAIGHT	
9	KK032655R		BOLT M12X55	
10	KK032665R		BOLT M12X65	
11	KK032840		HEX BOLT M20X40 10.9	
12	KK032860R		BOLT M20X60MM W/	
13	KK035020R		BOLT M10X34	
14	KK035021R		BOLT M10X30.5	
15	KK035165		HEX BOLT M20X50 W/FLANGE NUT	
16	KK035209		HEX BOLT M20X50 W/THREADED PIECE	
17	KK035210		HEX SCREW M20 X 55 W/FLANGE NUT	
18	KK050706		SPRING ALT 1	
19	KK057063		MAIN SPRING BLADE	
20	KK057064		SPRING BLADE NO. 1	
21	KK057065		SPRING BLADE NO. 2	
22	KK057066		SPRING BLADE NO. 3	
23	KK057067		SPRING BLADE NO. 4	
24	KK057068		BLADE NO 5	
25	KK057089		SPRING BOLT	
26	KK060108		DISTANCE BRACKET CPL. RIGHT	
27	KK060109		DISTANCE BRACKET CPL. LEFT	
28	KK060119		SPACER KIT W/ HEX SCREWS R & L CPL.	
29	KK060703		SPRING HD CPL. WITHOUT REGULATOR	
30	KK061280		REVERSIBLE BEAM WELDED	
31	KK061291		THREADED PIECE	
32	KK067016		BOLT D25 FOR TIGHTENING CLAMP	
33	KK067025		CLEVIS FOR TIE ROD D25	
34	KK067026		TIE ROD D22 HOLES D22&D25	
35	KK067031R		MAINBOLT	
36	KK067039		ADJUST SCREW M24X90 GALV.10.9	
37	KK067051		ADJUST SCREW W/THREADED PIECE	
38	KK067059		AXLE D22X101-D10.2X14	
39	KK067075		SHACKLE	
40	KK067076		BOLT D15.7-D5.5X168-D5.5	

ESLS / BEAM - AUTO RESET

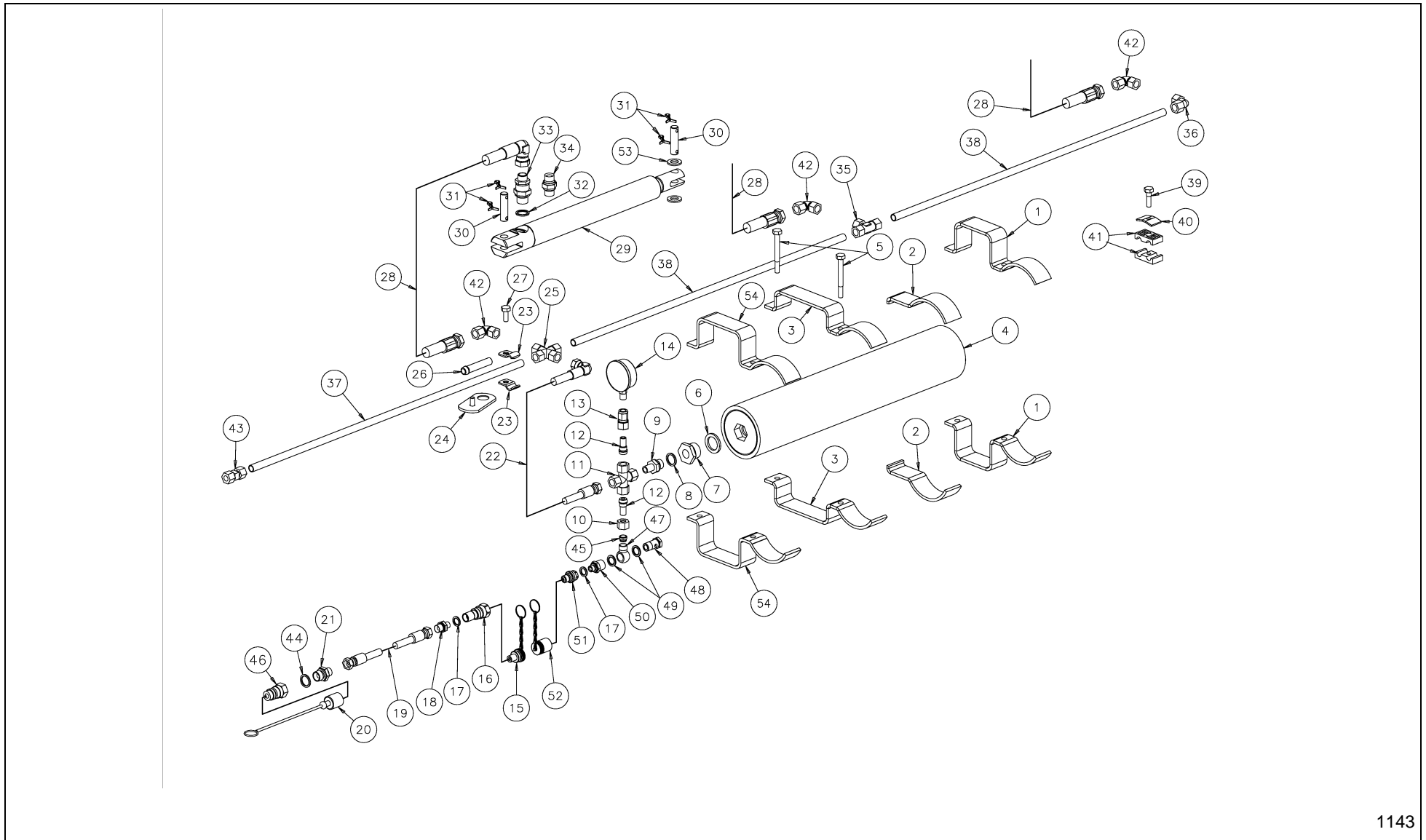


ESLS / BEAM - AUTO RESET



PosNo.	Part No.	Qty.	Description	Remark
41	KK067077		DISTANCE TUBE ADDITIONAL SPRING PACK	
42	KK067080		SPRING RETAINER REAR	
43	KK067090		REGULATOR ARM WELDED FOR D25 BOLT	
44	KK067092		LOCK PIECE FOR D25 BOLT	

ESLS / BEAM- HYDRAULIC AUTO RESET



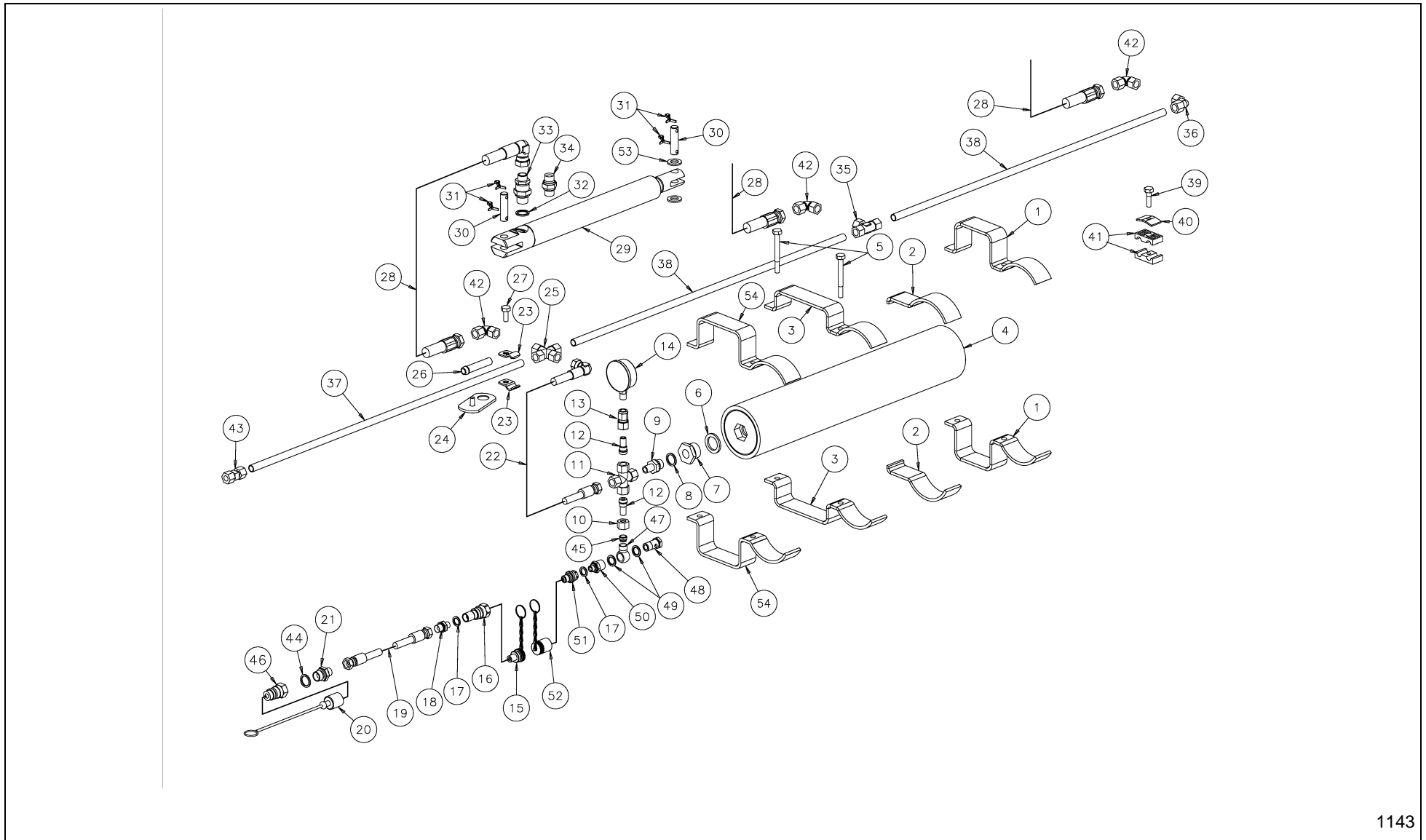
1143

ESLS / BEAM- HYDRAULIC AUTO RESET



PosNo.	Part No.	Qty.	Description	Remark
1	KK012090		ACCU CLAMP 100X200	(for ED plough only)
2	KK012050		ACCU CLAMP PARALLEL ROD	(for EG, ES, PB, PD and PL ploughs)
3	KK013502		ACCU CLAMP 150X150	(for EM plough only)
4	KK352405		PISTON. AKKU D117X615 4L 90BAR	(for ED, EG, EM and ES ploughs)
4	KK352478		PISTON. AKKU D117X883 6L 90BAR	(for PB, PD and PL ploughs)
5	KK032590		BOLT M10X90	(on all accumulator brackets)
6	KK012065		GASKET RING R1 (INNER D33)	(only when using 6 litres accumulator)
7	KK012310		COUPLING R1OUT-R1/2INN	(only when using 6 litres accumulator)
8	KK011565		SEAL RING R 1/2 (INNER D21)	(for all ploughs)
9	KK011587		COUPLING R1/2OUTS.-D15 PIPE CONN.	(for all ploughs)
10	KK012264		NUT FOR D12 TUBE M18X1.5	
11	KK012284		X-COUPLING K-15-L GALV.	(for all ploughs)
12	KK012288		TUBE TRANSITION D12/D15X36	(for all ploughs) D15 - D12
13	KK012287		MANOMETER COUPL.MAV-12-L-1/4	(for all ploughs)
14	KK012750		MANOMETER 250 BAR D63/R 1/4	(for all ploughs)
15	KK013639		DUST PLUG 1/4"	
16	KK013637		SCREW-ON QUICK COUPLING 1/4"	
17	KK012269		SEAL RING R1/4(INNER D13)	(for all ploughs)
18	KK010867		THREADED COUPLING G1/4 UTV/G3/8 UTV	(for all ploughs)
19	KK012367		HOSE 1/4X5000 R-SV/R-SV	(for all ploughs)
20	KK012157		PLASTIC COVER 1/2 QUICK COUP. RED	(for all ploughs)
21	KK011567		COUPLING 3/8-1/2 WITH M8 INNER	(for all ploughs)
22	KK012248		HOSE 1/2X 600 RS-15/90-15	(for all ploughs)
23	KK013630		STEEL CLAMP ON 1X15 TUBE	
24	KK067088		OIL TUBE BRACKET D24 - CC46	(for ED, EM and ES ploughs)
24	KK078225		PLATE W. 2 HOLES	(for EG, PB, PD and PL ploughs)
25	KK012284		X-COUPLING K-15-L GALV.	(for ES and PL ploughs)
26	KK012299		CUTTING RING PIN D15X80	(for ED, EG, PB and PD ploughs)
27	KK033525		HEX BOLT M10X25 8.8	(for all ploughs)
28	KK012247		HOSE 1/2X600 90SV/90-15-75	(before 01.03.05)
28	KK012248		HOSE 1/2X 600 RS-15/90-15	
29	KK352404		CYLINDER D40-D25X510+215	(see plate no. 1142; for all ploughs; before 15.06.05)
29	KK353907		CYLINDER D40-D32X510+215	(see plate no. 1310; from 15.06.05)
30	KK067083		BOLT D15.7-D5.5X48-D5.5	(for all ploughs)
31	KK029727		SPLIT PIN D2X32	
32	KK011565		SEAL RING R 1/2 (INNER D21)	(for all ploughs)
33	KK012128		COUPLING R1/2-D15 PIPE COUPLING	ES, PL
34	KK011572		COUPLING 1/2R.GJ-1/2R.GJ	ED, EG, EM, PB, PD; before 01.03.05)
35	KK012286		T-COUPLING T-15-L FORS.	
36	KK012285		90 DEG ELBOW JOINT W-15-L	

ESLS / BEAM- HYDRAULIC AUTO RESET

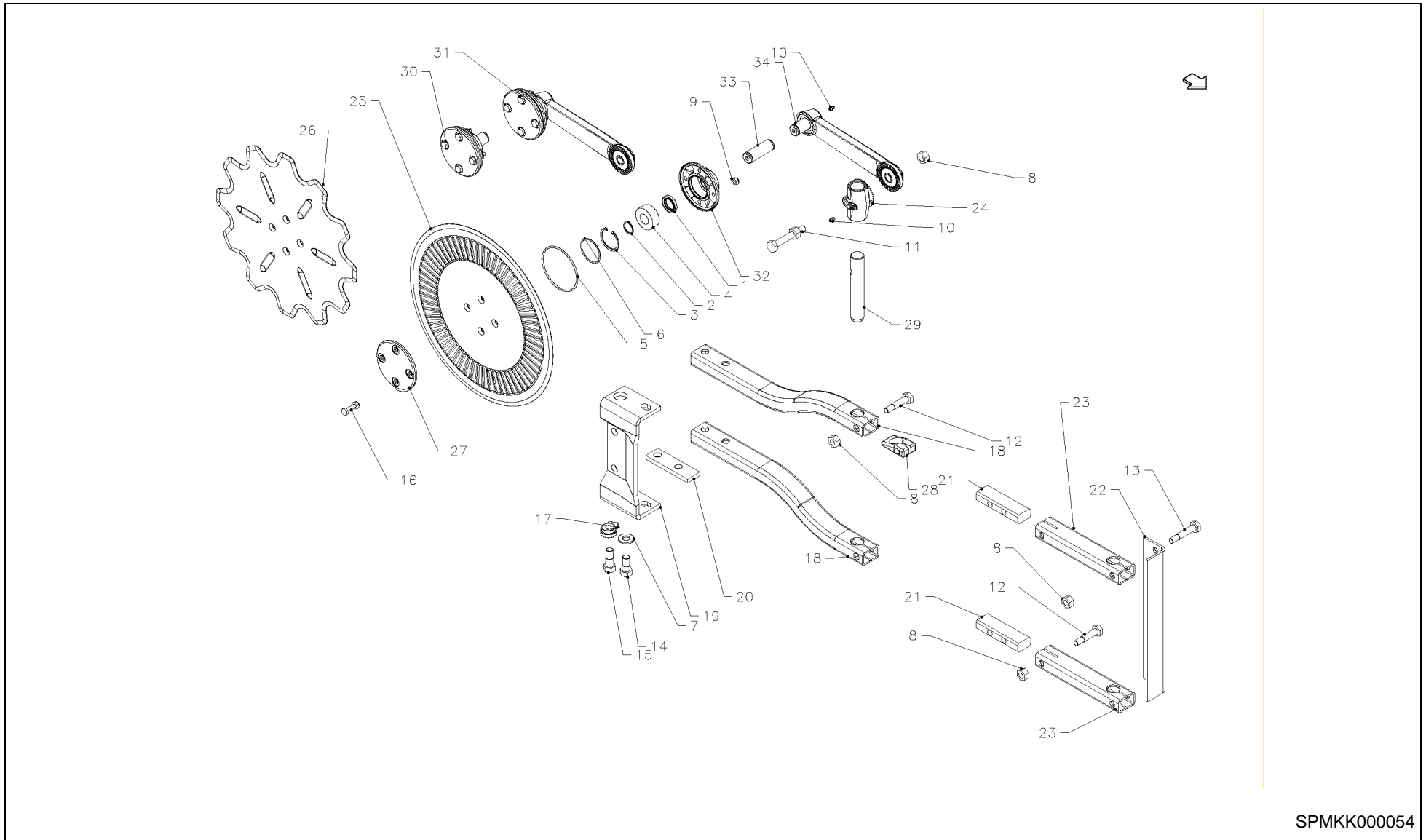


1143

ESLS / BEAM- HYDRAULIC AUTO RESET

PosNo.	Part No.	Qty.	Description	Remark
37	KK013598		OIL TUBE D15X1.5X960 DOUBLE BENT	PL
37	KK013599		OIL TUBE D15X1.5X960 BENT	PL
37	KK013587		OIL TUBE D15X1.5X760 BENDED	ES
38	KK012717		OIL TUBE 15X1.5X960	ED, PB, PD, PL
38	KK012298		PIPE D5X1.5X810	EG, EM
38	KK013644		OIL TUBE D15X1.5X1110	PL-115
39	KK033535		HEX BOLT M10X35 8.8 FULL THR. GALV	PL
40	KK012324		COVER TUBE CLAMP	PL
41	KK012522		PLASTIC TUBE CLAMP CF2-2TUBE D18	PL
42	KK012293		90 DEG ANGLE EVW-15-L	
43	KK013588		STRAIGHT PIPE CONNECTION G-15-L	ES
44	KK011565		SEAL RING R 1/2 (INNER D21)	
45	KK012267		CUTTING RING FOR D12 TUBE	
46	KK012114		QUICK COUPLING PLUG NONBLOCKING	
47	KK012547		BANJO 3/8-M18X1.5-24 DEG	
48	KK012059		BANJO BOLT G3/8X31	
49	KK011585		SEAL RING R 3/8(INNER D17)	
50	KK011564		THREADED COUPLIN	
51	KK013636		SCREW-ON QUICK PLUG 1/4"	
52	KK013638		DUST CAP 1/4"	
53	KK012927		WASHER D17.0XD30X3	(from 15.06.05)
54	KK012058		ACCU. CLAMP 120X200	
Not ill.	KK012353		HOSE 1/2X2500 1/2SV-1/2 SV	(connection between front and rear part) (for PL plough only)
Not ill.	KK011572		COUPLING 1/2R.GJ-1/2R.GJ	(for PL plough only)

ESLS / DISC COULTER - SHEAR BOLT BEAM



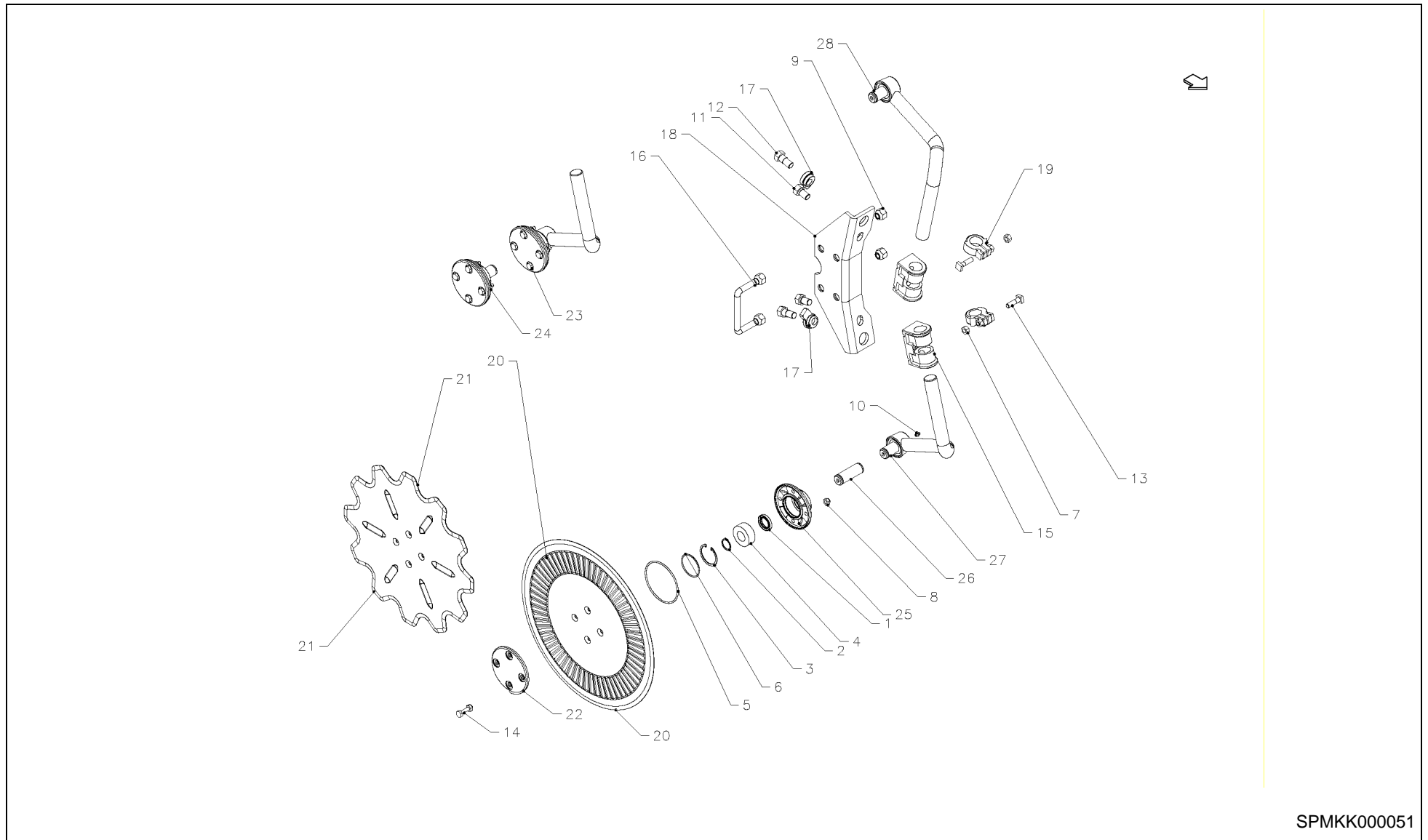
SPMKK000054

ESLS / DISC COULTER - SHEAR BOLT BEAM



PosNo.	Part No.	Qty.	Description	Remark
1	KG00017500		RADIAL SHAFT SEAL - A 30X47X7	
2	KG01108800		CIRCLIP-A 30 X 1.5	
3	KG01129800		CIRCLIP-B 62 X 2	
4	KK010572R		BALL BEARING 3206B	
5	KK011750		O-RING D124.5X3 70 SHORE	
6	KK011866		O-RING D67X3 70 SHORE	
7	KK012960		WASHER D20-D40X4	
8	KK015825		NUT M16	
9	KK016004		LOCK NUT M10 METAL LOCKING	
10	KK029920		GREASE NIPPLE M8X1 STRAIGHT	
11	KK032702R		HEX.HEAD.BOLT M1	
12	KK032775		HEX BOLT M16X75 10.9	
13	KK032785		HEX BOLT M16X85 10.9	
14	KK032840		HEX BOLT M20X40 10.9	
15	KK032850		HEX BOLT M20X50 10.9	
16	KK035114		HEX BOLT M10X40 W/LOCK NUT	
17	KK066178		ECCENTRIC FOR DISC COULTER BRACKET	
18	KK074930		BRACKET TUBE FOR DISC COULTER	
19	KK074931		BRACKET FOR DISC COULTER	
20	KK074936		THREADED PIECE FOR DISC.COULT. ARM	
21	KK074937		CONNECTING PIECE	
22	KK074938		CONNECTING PIECE	
23	KK074939		EXTENTION FOR DISC COULTER	
24	KK076400R		SUPPORT	
25	KK076407R		DISC COULTER 20	
26	KK076410R		DISC COULTER 20 NOTCHED	
27	KK076499R		REINFORCMENT PLATE	
28	KK076515		SUPPORT	
29	KK076527R		AXLE F. DISC COULTER MOD 92	
30	KK086087R		REP. SET FOR BEARING HOUSE KK076097	
31	KK086091		ARM WITH BEARING AND AXLE 18" & 20"	
32	KK086100		BEARING HOUSING DISC COULTER	
33	KK086101R		AXLE FOR DISC COULTER	
34	KK086167		ARM WITH AXLE 18" & 20"	

ESLS / DISC COULTER - AUTO RESET BEAM

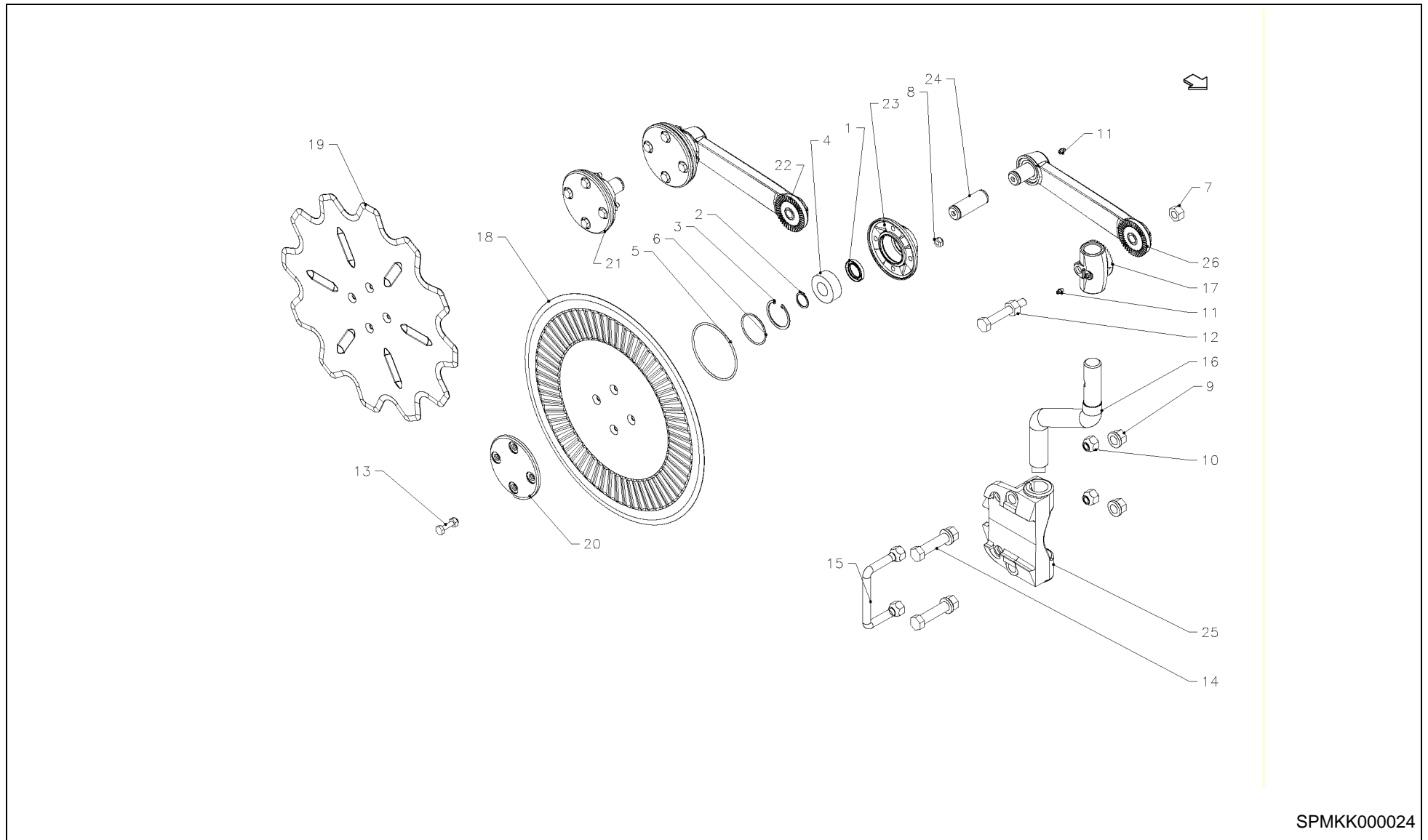


SPMKK000051

ESLS / DISC COULTER - AUTO RESET BEAM

PosNo.	Part No.	Qty.	Description	Remark
1	KG00017500		RADIAL SHAFT SEAL - A 30X47X7	
2	KG01108800		CIRCLIP-A 30 X 1.5	
3	KG01129800		CIRCLIP-B 62 X 2	
4	KK010572R		BALL BEARING 3206B	
5	KK011750		O-RING D124.5X3 70 SHORE	
6	KK011866		O-RING D67X3 70 SHORE	
7	KK015817		NUT M12 GALV.	
8	KK016004		LOCK NUT M10 METAL LOCKING	
9	KK016031		CONE NUT M16 KEY27 H25	
10	KK029920		GREASE NIPPLE M8X1 STRAIGHT	
11	KK032830		HEX BOLT M20X30 10.9	
12	KK032840		HEX BOLT M20X40 10.9	
13	KK035031		4SQ BOLT M12X45 KEY 19 GALV	
14	KK035114		HEX BOLT M10X40 W/LOCK NUT	
15	KK066170		DISC COULTER BRACKET	
16	KK066175R		U-BOLT	
17	KK066178		ECCENTRIC FOR DISC COULTER BRACKET	
18	KK066182		DISC COULTER BRACKET 20	
19	KK066190R		STOP JOURNAL	
20	KK076407R		DISC COULTER 20	
21	KK076410R		DISC COULTER 20 NOTCHED	
22	KK076499R		REINFORCMENT PLATE	
23	KK086080		DISC COULT ARM 18 R W BEAR E-BEAM	
24	KK086087R		REP. SET FOR BEARING HOUSE KK076097	
25	KK086100		BEARING HOUSING DISC COULTER	
26	KK086101R		AXLE FOR DISC COULTER	
27	KK086170		ARM WITH AXLE 18" R	
28	KK086171		ARM WITH AXLE 18" L	

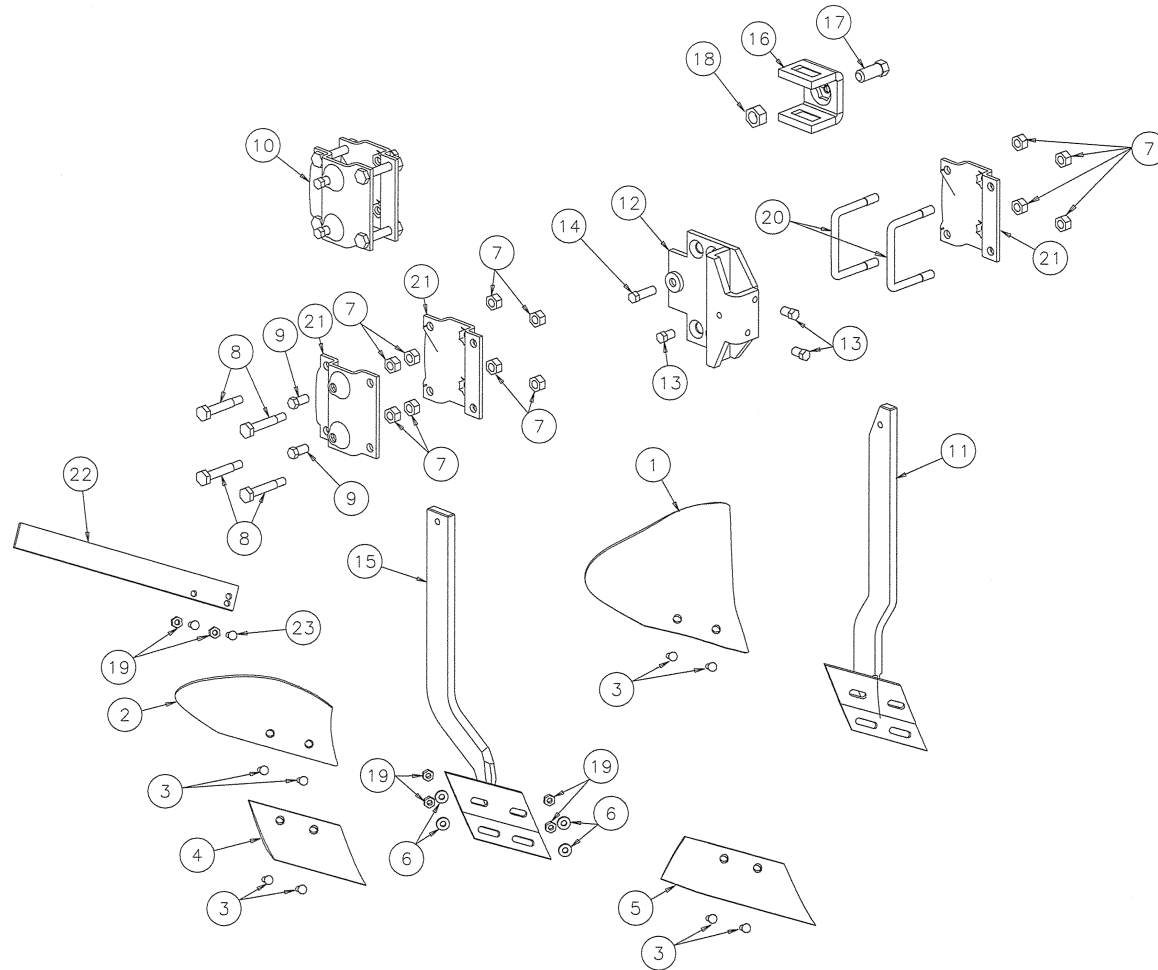
ESLS / DISC COULTER PARALLEL ADJUSTMENT



SPMKK000024

ESLS / DISC COULTER PARALLEL ADJUSTMENT

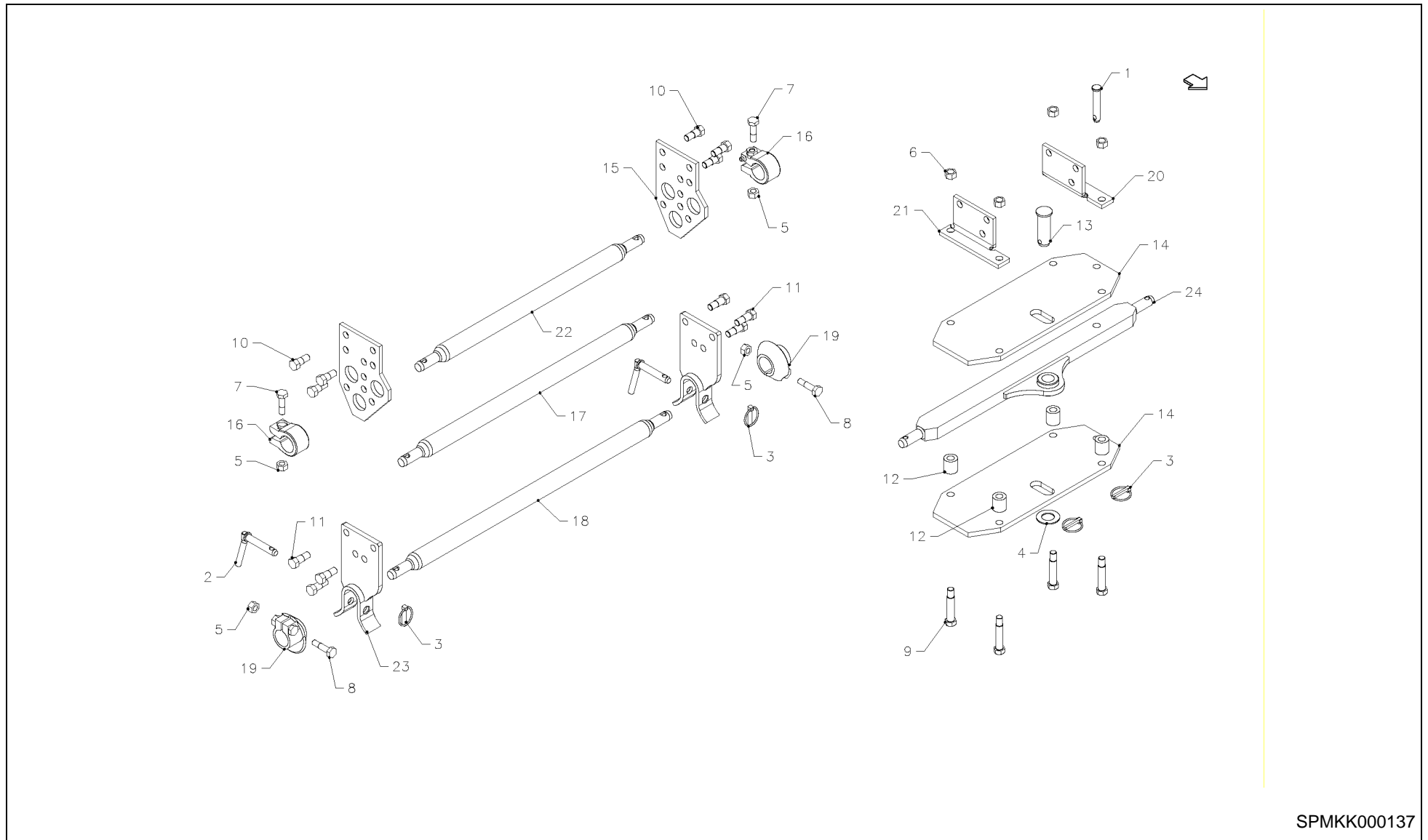
PosNo.	Part No.	Qty.	Description	Remark
1	KG00017500		RADIAL SHAFT SEAL - A 30X47X7	
2	KG01108800		CIRCLIP-A 30 X 1.5	
3	KG01129800		CIRCLIP-B 62 X 2	
4	KK010572R		BALL BEARING 3206B	
5	KK011750		O-RING D124.5X3 70 SHORE	
6	KK011866		O-RING D67X3 70 SHORE	
7	KK015825		NUT M16	
8	KK016004		LOCK NUT M10 METAL LOCKING	
9	KK016012		FLANGE NUT M20	
10	KK016031		CONE NUT M16 KEY27 H25	
11	KK029920		GREASE NIPPLE M8X1 STRAIGHT	
12	KK032702R		HEX.HEAD.BOLT M1	
13	KK035114		HEX BOLT M10X40 W/LOCK NUT	
14	KK035175		HEX BOLT M20X100 W/FLANGE NUT	
15	KK066175R		U-BOLT	
16	KK076063		STEM FOR DISC COULTER	
17	KK076400R		SUPPORT	
18	KK076407R		DISC COULTER 20	
19	KK076410R		DISC COULTER 20 NOTCHED	
20	KK076499R		REINFORCMENT PLATE	
21	KK086087R		REP. SET FOR BEARING HOUSE KK076097	
22	KK086091		ARM WITH BEARING AND AXLE 18" & 20"	
23	KK086100		BEARING HOUSING DISC COULTER	
24	KK086101R		AXLE FOR DISC COULTER	
25	KK086103		DISC COULTER BRACKET E-BEAM CASTED	
26	KK086167		ARM WITH AXLE 18" & 20"	



ESLS / SKIMMER



PosNo.	Part No.	Qty.	Description	Remark
1	KK076812		MOULDBOARD FOR MAIZE SKIMMER RIGHT	
1	KK076813		MOULDBOARD FOR MAIZE SKIMMER LEFT	
2	KK066880		MOULDBOARD RIGHT	
2	KK076943		PLASTIC MOULDBOARD SKIMMER RIGHT	
2	KK066881		MOULDBOARD LEFT	
2	KK076944		PLASTIC MOULDBOARD SKIMMER LEFT	
3	KK033006		OVAL SCREW M10X30	
4	KK056873		SHARE FOR SKIMMER SHORT R	
4	KK066873		SHARE FOR SKIMMER SHORT L	
5	KK066868		SHARE FOR SKIMMER LONG R	
5	KK066869		SHARE FOR SKIMMER LONG L	
6	KK012906		WASHER D11-D25X3.5	
7	KK015825		NUT M16	
22	KK086801R		EXTENSION PIECE SKIMMER	
23	KK033007		OVAL SCREW M10X35 GALV.	
8	KK032795		HEX BOLT M16X95 10.9	
9	KK034228		SET SCREW M16X32 GALV.	
10	KK060657		BRACKET FOR SKIMMER CLP.	
11	KK066811		ARM FOR SKIMMER R H=700	
11	KK076858		ARM FOR SKIMMER R H=750	(From 01.12.00)
11	KK066812		ARM FOR SKIMMER L H=700	
11	KK076859		ARM FOR SKIMMER L H=750	(From 01.12.00)
12	KK070639		BRACKET FOR SKIMMER W/SCREW	(for LB, LD, RB, RS, RX)
12	KK076872		BRACKET FOR SKIMMER ASSEMBLED	(for LM, LS, RG, RL, RM, VD)
13	KK034225		SET SCREW M16X25	
14	KK034250		SET SCREW M16 X 50 GALV.	
15	KK076817		SKIMMERARM RIGHT H=700	
15	KK076818		SKIMMERARM LEFT H=700	
15	KK076825		SKIMMERARM RIGHT H=800	
15	KK076826		SKIMMERARM LEFT H=800	
15	KK076833		SKIMMERARM RIGHT H=750	(for VD plough only) (Before 15.03.98)
15	KK076834		SKIMMERARM LEFT H=750	(for VD plough only) (Before 15.03.98)
11	KK066811		ARM FOR SKIMMER R H=700	
11	KK076858		ARM FOR SKIMMER R H=750	(From 01.12.00)
16	KK070653		BRACKET W/SETSCREW	(for beam 071240 and 071241)
17	KK034446		SET SCREW M24X53 GALV.	
18	KK015841		NUT M24 GALV.	
19	KK015816		NUT M10 BLACK	
20	KK085076		U-BOLT M16-4SQ120-105	
21	KK066861		BRACKET FOR SKIMMER ARM	

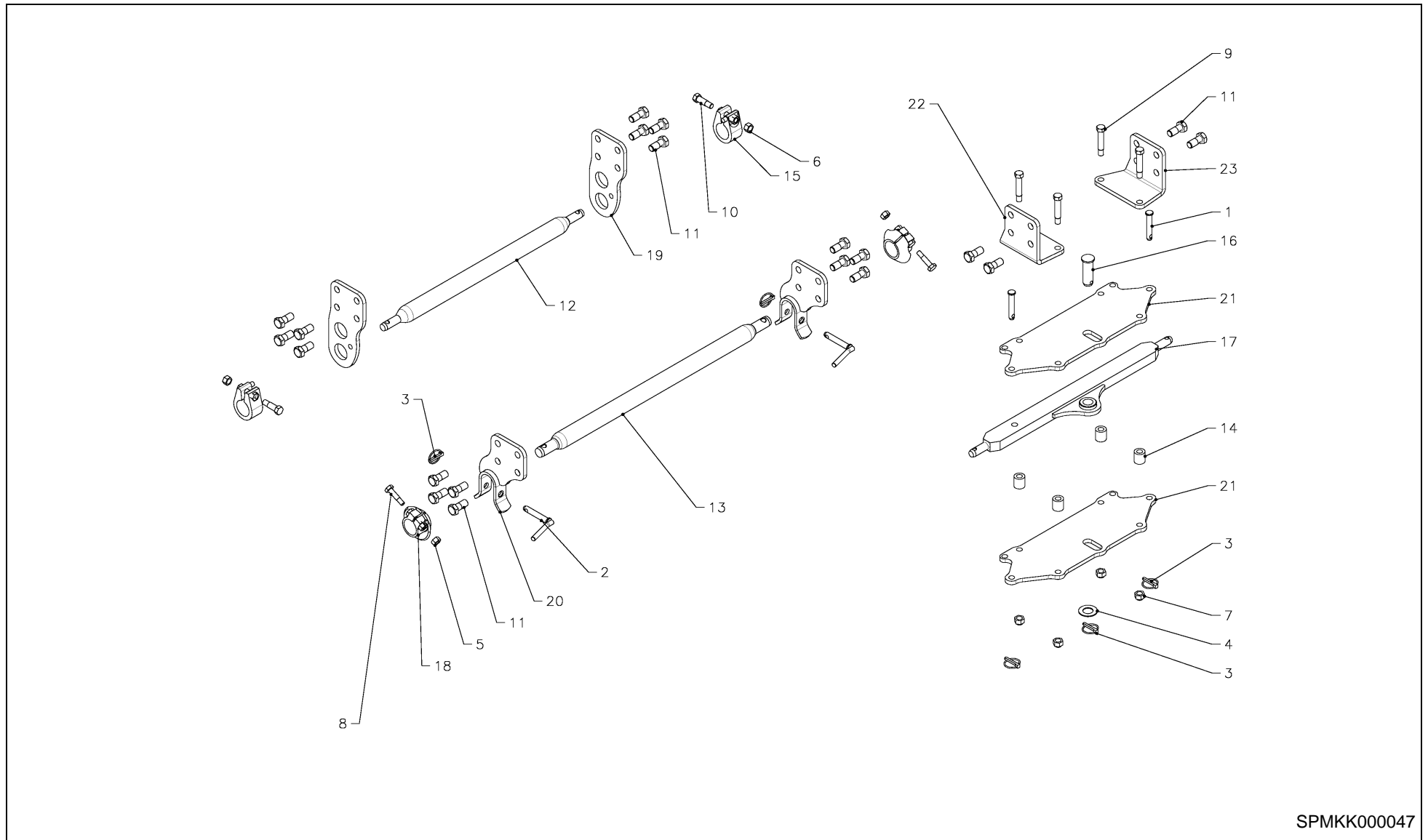


SPMKK000137

ESLS / CROSS SHAFT HS-110



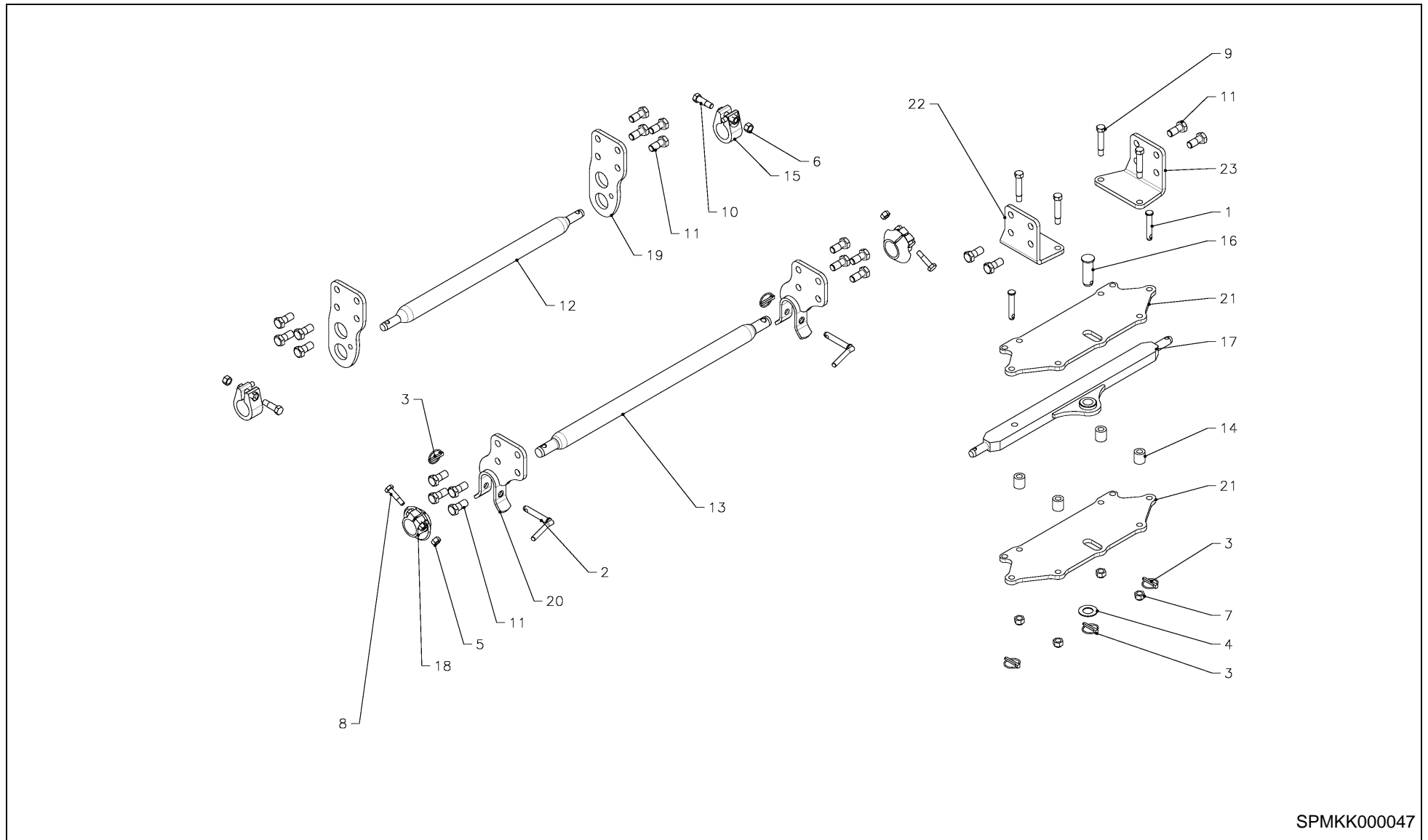
PosNo.	Part No.	Qty.	Description	Remark
1	KK010278		BOLT W/HEAD D19X93	
2	KK010288		BOLT WITH HANDLE D19XL93	
3	KK010700		PIN D12 NS 555	
4	KK012951		WASHER D36-D65X3	
5	KK015825		NUT M16	
6	KK015830		NUT M20	
7	KK032760		HEX BOLT M16X60 10.9	
8	KK032765		HEX BOLT M16X65 10.9	
9	KK032824		HEX BOLT M20X105 10.9	
10	KK032845		HEX BOLT M20X45 10.9	
11	KK032850		HEX BOLT M20X50 10.9	
12	KK064343R		BUSHING D38X20,5X41	
13	KK071794		BOLT W/HEAD D35X90	
14	KK071912		PLATE UPPER AND LOWER	
15	KK072269		HOLDER FOR CROSS-SHAFT	
16	KK072272		STOP-RING W/KNOB	
17	KK072274		CROSS SHAFT CAT. 2 D50X825	
18	KK072275		CROSS SHAFT CAT. 3 D50X935	
19	KK072279		COLLAR FOR QUICK COUPLING D50	
20	KK072280		SIDE PLATE RIGHT	
21	KK072281		SIDEPLATE LEFT	
22	KK072291		CROSS SHAFT CAT II, L = 720 MM FOR HEADSTOCK 110	
23	KK072535		HOLDER FOR QUICK COUPL.VH110	
24	KK074332		CROSS SHAFT TURNABLE CAT. 2 L=825	



SPMKK000047

ESLS / CROSS SHAFTS HS-200

PosNo.	Part No.	Qty.	Description	Remark
1	KK010278		BOLT W/HEAD D19X93	for cat.II
1	KK010282		PIN 19 X 110 MM CAT III	for cat.III
2	KK010288		BOLT WITH HANDLE D19XL93	
2	KK010291		BOLT W/HANDLE D19X110	
3	KK010700		PIN D12 NS 555	
4	KK012951		WASHER D36-D65X3	
5	KK015825		NUT M16	
6	KK015830		NUT M20	
7	KK016000		LOCK NUT M20 H20 KEY30	
8	KK032770		HEX BOLT M16X70 10.9	for KK074354
8	KK032780		HEX BOLT M16X80 10.9	for KK072634
9	KK032824		HEX BOLT M20X105 10.9	for cat.II
9	KK032811		HEX BOLT M20X130 10.9	for cat.III
10	KK032865		HEX BOLT M20X65 10.9	for KK064360
10	KK032870		HEX BOLT M20X70 10.9	for KK074397
11	KK032956		HEX BOLT M24X55/28 10.9	
12	KK064319		CROSS-SHAFT D60 CAT 2 L=825	
12	KK064320		CROSS-SHAFT D60 CAT 2 L=935	
12	KK064370		CROSS-SHAFT D60 CAT 3 L=825	
12	KK064323		CROSS-SHAFT D60 CAT 3 L=860	
12	KK064321		CROSS-SHAFT D60 CAT 3 L=965	
12	KK074396		CROSS-SHAFT D70 CAT 3 L=860	
12	KK074395		CROSS-SHAFT D70 CAT 3 L=965	
13	KK064321		CROSS-SHAFT D60 CAT 3 L=965	
13	KK064323		CROSS-SHAFT D60 CAT 3 L=860	
13	KK064320		CROSS-SHAFT D60 CAT 2 L=935	
13	KK064370		CROSS-SHAFT D60 CAT 3 L=825	
13	KK074396		CROSS-SHAFT D70 CAT 3 L=860	
13	KK074395		CROSS-SHAFT D70 CAT 3 L=965	
14	KK064343R		BUSHING D38X20,5X41	for cat.II
14	KK074378		BUSHING D20.5-D38X61.5	for cat.III
15	KK064360R		COLLAR	
15	KK074397R		STOP RING Å#70	
16	KK071794		BOLT W/HEAD D35X90	for cat.II
16	KK074379		BOLT W/HEAD D35X105	for cat.III
17	KK074332		CROSS SHAFT TURNABLE CAT. 2 L=825	
17	KK074377		CROSS-SHAFT TURNABLE CAT.3 L=965	
18	KK074354		COLLAR FOR QUICK COUPLING D60	
18	KK072634		COLLAR FOR QUICK COUPLING D70	
19	KK081534R		BRACKET FOR DRAWBAR D60	

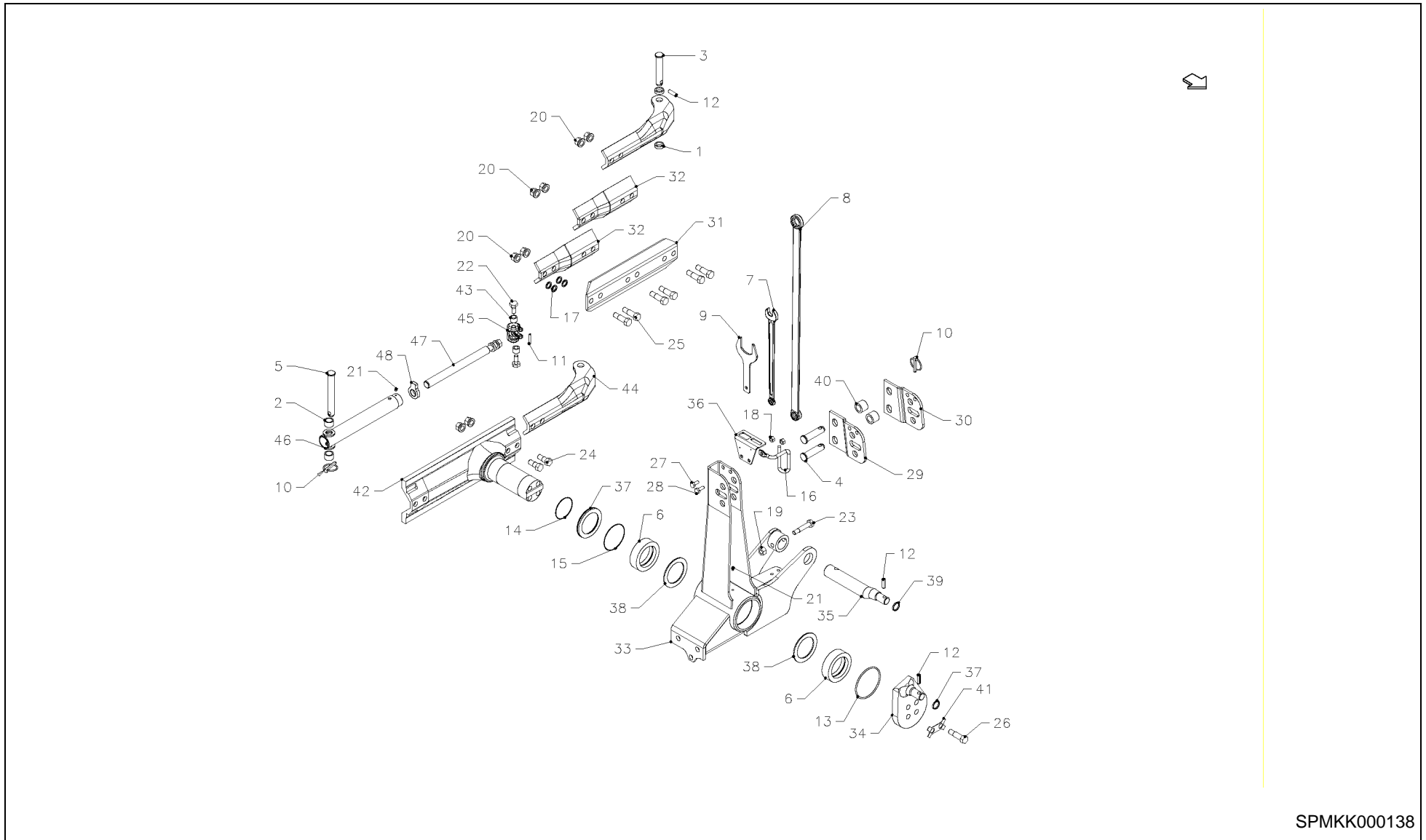


SPMKK000047

ESLS / CROSS SHAFTS HS-200



PosNo.	Part No.	Qty.	Description	Remark
19	KK081535R		BRACKET FOR DRAWBAR D70	
20	KK081550R		HOLDER FOR QUICK COUPLING HS200	
20	KK081552R		HOLDER FOR LOWERED CROSS-SHAFT Å#60	
20	KK081560R		QUICK COUPLING Å#70 HS200	
20	KK081562R		HOLDER FOR LOWERED CROSS-SHAFT Å#70 HS200	
21	KK081580R		PL.OVER/UNDER DREIBAR DRAGAKS.LAKKERT	
22	KK081581R		FIXING BRACKET RH FOR TURNABLE CROSS-SH.	
23	KK081583R		FIXING BRACKET LH FOR TURNABLE CROSS-SH.	

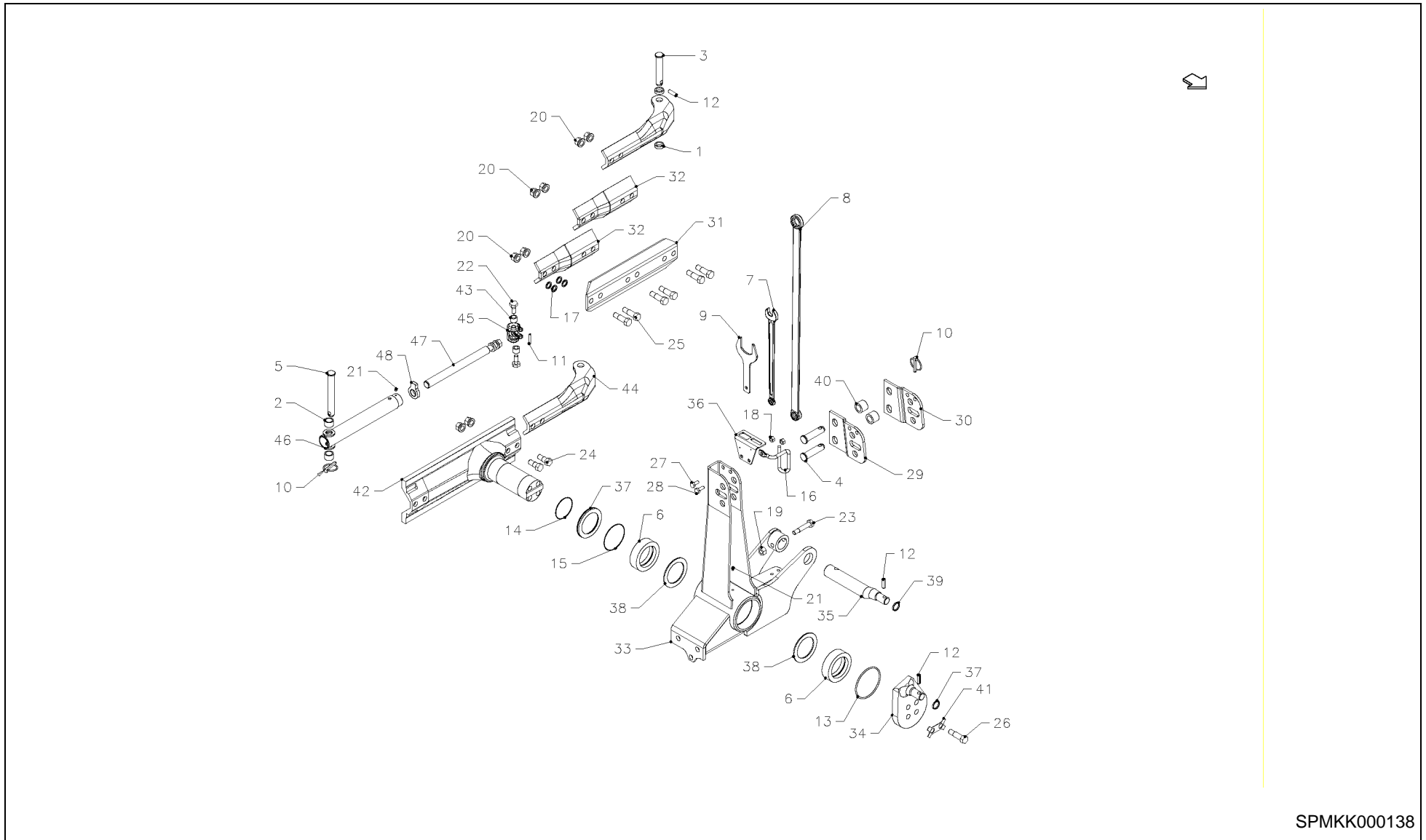


SPMKK000138

ESLS / HEADSTOCK 110



PosNo.	Part No.	Qty.	Description	Remark
1	KK010008		BUSHING D25.7-D35X10	
2	KK010152		BUSHING D25.7-D33.8X22	
3	KK010319		BOLT W/ HEAD D25.3X120	
4	KK010332		BOLT W/HEAD D25.3X85	
5	KK010337		BOLT W/HEAD D25.3X180	
6	KK010571		ROLLER-BEARING NA4918 90X125X45	
7	KK010606		SPANNER 19-27 L=450	
8	KK010650		UNIVERSAL SPANNER NV 27-36	
9	KK010656		SPANNER TURNOVER CYLINDER KEY WIDTH=60	
10	KK010700		PIN D12 NS 555	
11	KK011016		ROLL PIN D8X45 GALV.	
12	KK011020		ROLL PIN D12X40 NS5109 GALV.	
13	KK011896		O-RING D130X5 90 SHORE	
14	KK011897		O-RING D90X2 70 SHORE	
15	KK011898		O-RING D110X2 70 SHORE	
16	KK012726		HOLDER FOR HOSE HS80-110-160	
17	KK012931		WASHER D20.5-D28X3.4	
18	KK015817		NUT M12 GALV.	
19	KK015825		NUT M16	
20	KK016012		FLANGE NUT M20	
21	KK029920		GREASE NIPPLE M8X1 STRAIGHT	
22	KK032735		HEX BOLT M16X35 10.9	
23	KK032785		HEX BOLT M16X85 10.9	
24	KK032845		HEX BOLT M20X45 10.9	
25	KK032865		HEX BOLT M20X65 10.9	
26	KK032870		HEX BOLT M20X70 10.9	
27	KK033625		HEX BOLT M12X25 GALV.	
28	KK033630		HEX BOLT M12X30 GALV.	
29	KK071917		TOPLINK BRACKET HS 80 110 160	
30	KK071918		TOPLINK BRACKET HS 80 110 160	
31	KK071934		BRACKET	
32	KK071935		CONNECTER BRACKET FOR CYLINDER	
33	KK072250R		HEADSTOCK 110 W/BACK-UP RING	
34	KK072264		TURN PLATE	
35	KK072265R		AXLE D50	
36	KK072268		SPANNER HOLDER	
37	KK072270		THRUST BRACKET	
38	KK072271		SUPPORT RING	
39	KK072283		BUSHING D30.5XD35X4	
40	KK072292		BUSHING D26-D40.4X31	

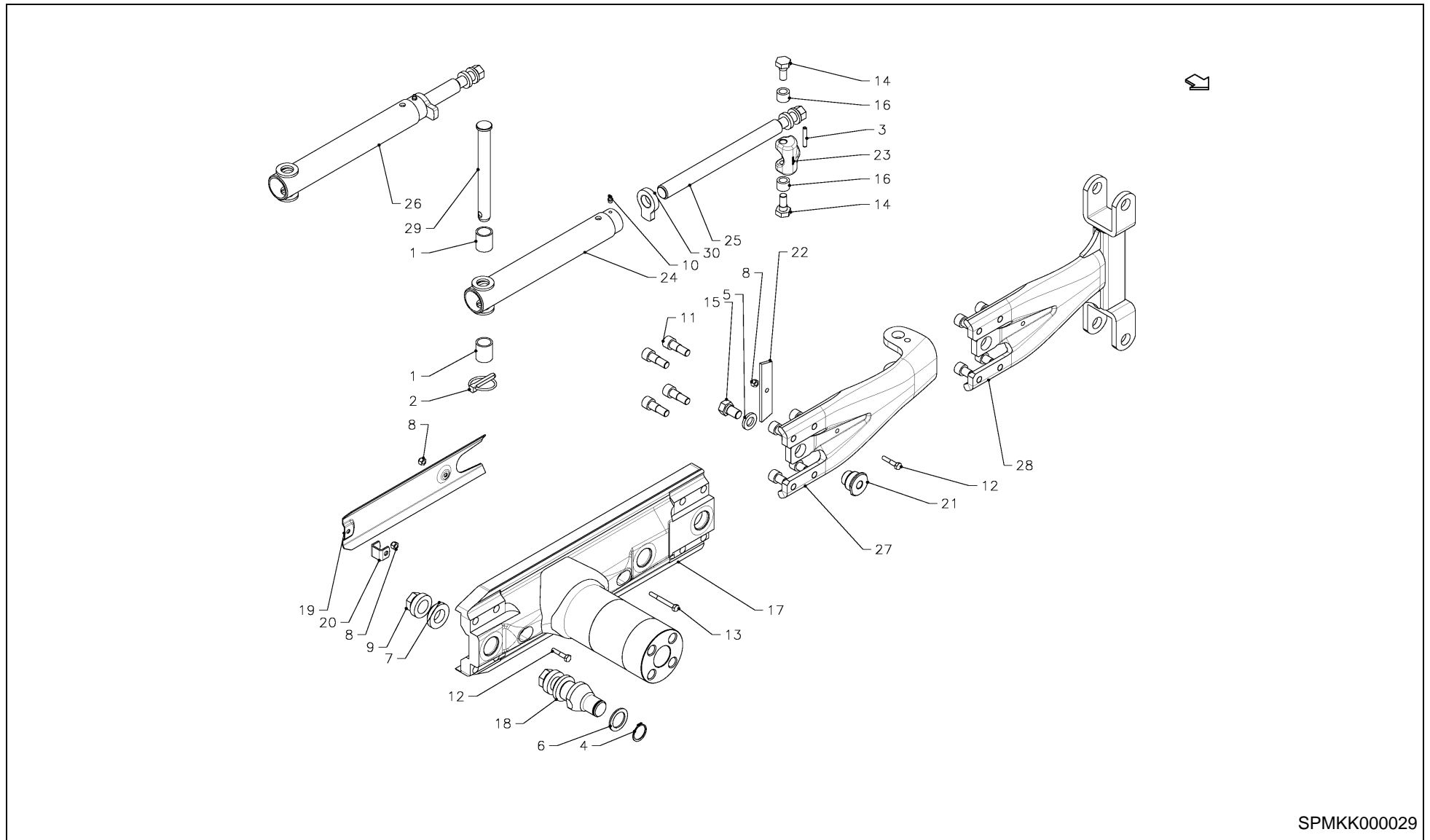


SPMKK000138

ESLS / HEADSTOCK 110



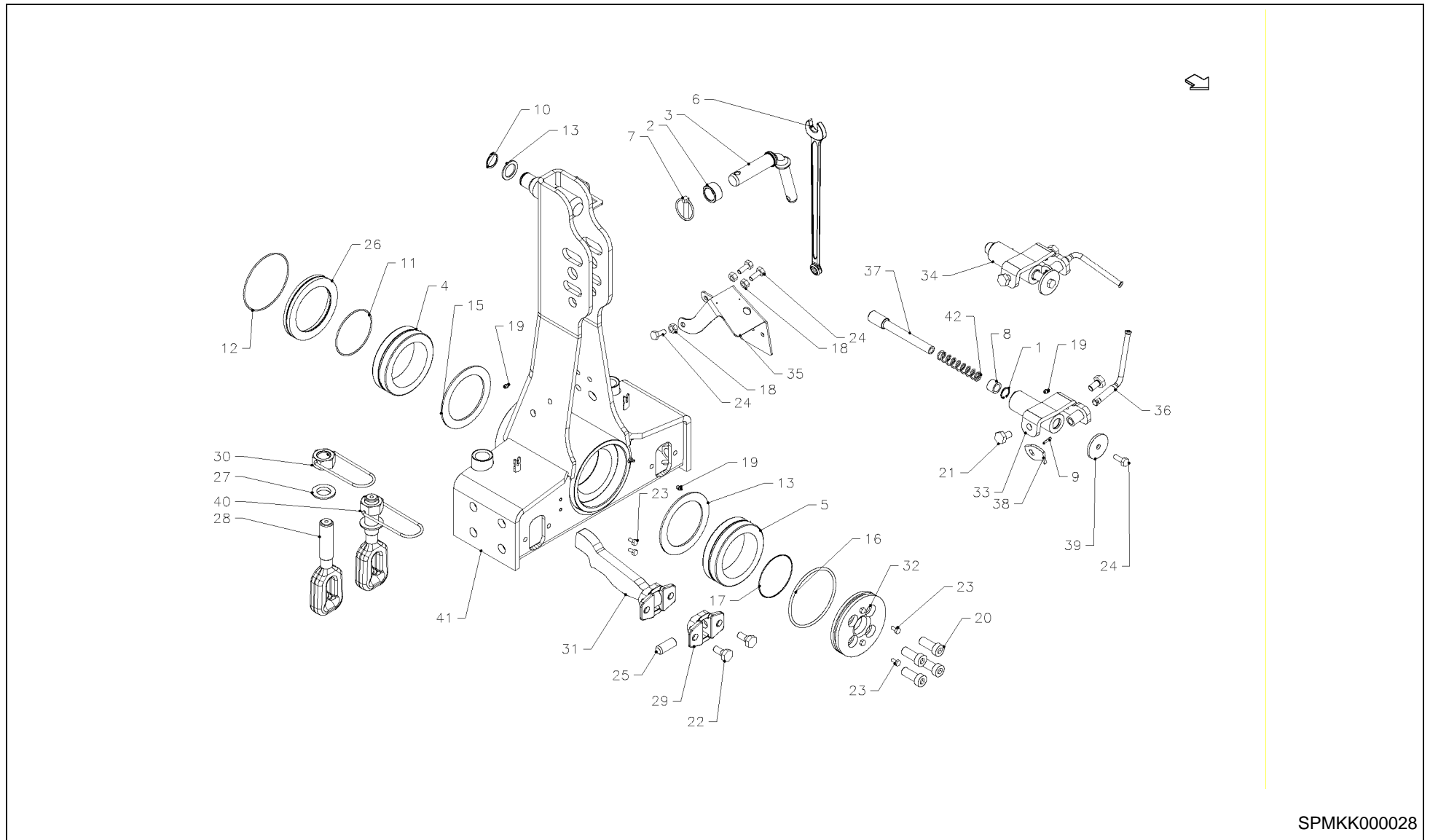
PosNo.	Part No.	Qty.	Description	Remark
41	KK072519		LOCKPLATE FOR HEADSTOCK 110	
42	KK072521		TURNING DEVICE HS110	
43	KK074319		BUSHING D16.5-D25.5X19	
44	KK074914		BRACKET FOR CYLINDER/TURNUCKLE	
45	KK081545		FIX. FOR ADJ. SCREW HS200	
46	KK081587		TUBE FOR ADJ. SCREW HS200/300	
47	KK081588		ADJUSTMENT SCREW M30 HS200/300	
48	KK351148		COUNTER NUT M30X3,5	



SPMKK000029

ESLS / HEADSTOCK 200 - SLIDE

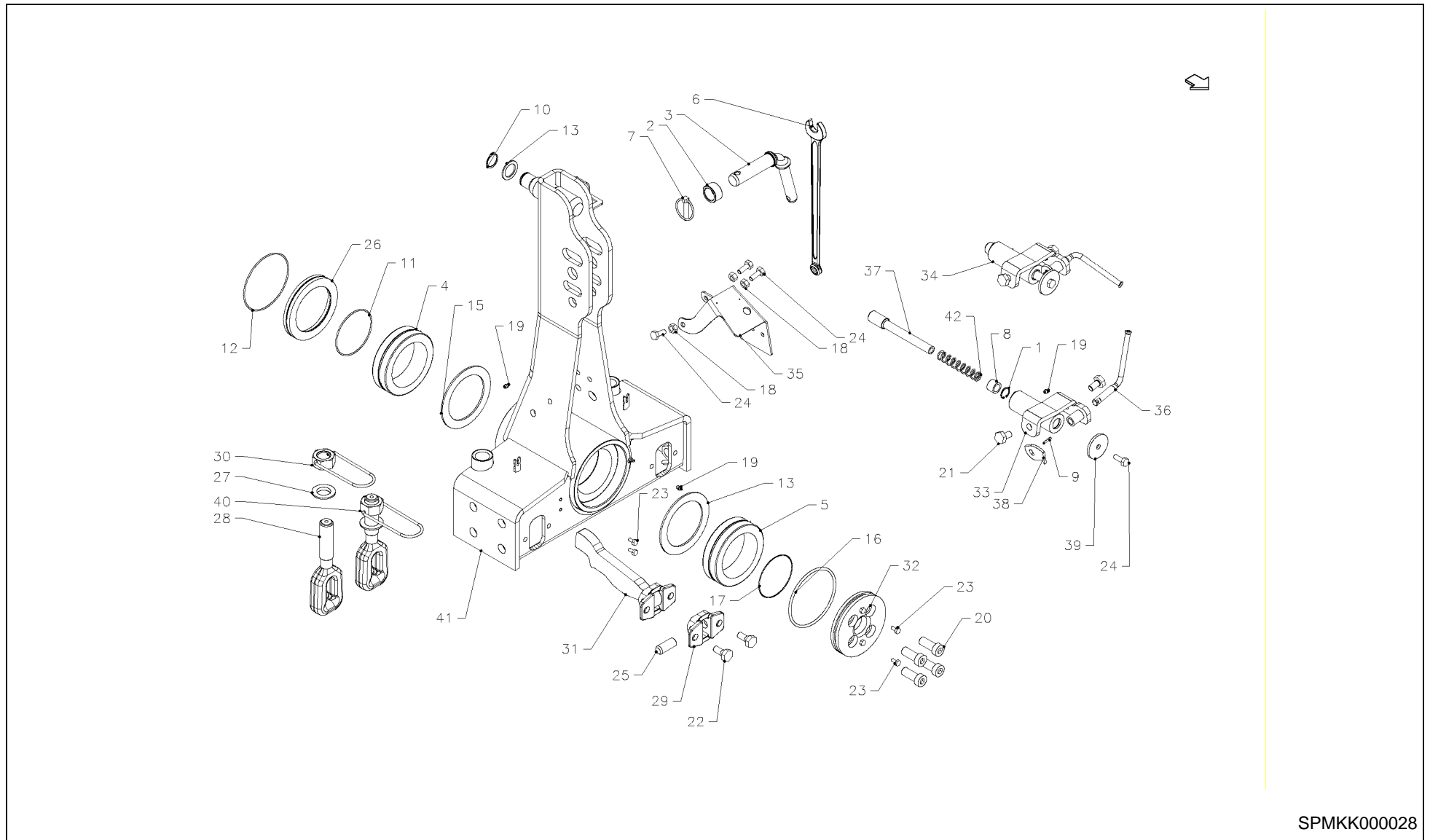
PosNo.	Part No.	Qty.	Description	Remark
1	KK010042		BUSHING D27.3-D33.8X39	
2	KK010700		PIN D12 NS 555	
3	KK011016		ROLL PIN D8X45 GALV.	
4	KK011262		CIRCLIP 35X1.5 NS5143 GALV.	
5	KK012970		WASHER D20-D36X5	
6	KK012978		WASHER D35.1-D50X3	
7	KK013010		WASHER D30.2-D55X13	
8	KK016005		LOCK NUT M8	
9	KK016022		FLANGE NUT M30 10 KEY36	
10	KK029920		GREASE NIPPLE M8X1 STRAIGHT	
11	KK032050		CHEESE HEAD SCREW M16X45 DIN 912	
12	KK032440		HEX BOLT M8 X 40 8.8	
13	KK032470		HEX BOLT M8X70	
14	KK032735		HEX BOLT M16X35 10.9	
15	KK032830		HEX BOLT M20X30 10.9	
16	KK074319		BUSHING D16.5-D25.5X19	
17	KK081527R		MAIN-SHAFT FOR HS200	
18	KK081532R		AXLE WITH NUT AND WASHER HS200	
19	KK081539		COVER FOR HOSES	
20	KK081547		BRACKET FOR COVER HS200	
21	KK081555R		NUT SPECIAL FOR CYLINDER AXLE	
22	KK081565R		FIXING PLATE FOR HOSES	
23	KK081582R		BRACKET FOR ADJUSTABLE SCREW	
24	KK081587		TUBE FOR ADJ. SCREW HS200/300	
25	KK081588		ADJUSTMENT SCREW M30 HS200/300	
26	KK081590		ADJUSTMENT SCREW M30 HS200/300	
27	KK081776		BRACKET FOR FIRST FURROW ADJ.	
28	KK081777		BRACKET FOR 2 CYLINDERS	
29	KK126095		BOLT W-HEAD D25X212	
30	KK351148		COUNTER NUT M30X3,5	



SPMKK000028

ESLS / HEADSTOCK 200 - TOWER

PosNo.	Part No.	Qty.	Description	Remark
1	KG01126800		CIRCLIP-B 28 X 1.2	
2	KK010158		BUSHING D32.5-D44.5X26	
3	KK010293		TOP LINK U-BOLT CAT.II & III HEADST.200	
4	KK010566		ROLLER-BEARING NA4924 120X165X45	
5	KK010566R		ROLLER BEARING NA4924 120X165X45*DE	
6	KK010606		SPANNER 19-27 L=450	
7	KK010700		PIN D12 NS 555	
8	KK010958		BUSHING BRONZE 20X28X20	
9	KK011001		ROLL PIN D5X28 GALV.	
10	KK011262		CIRCLIP 35X1.5 NS5143 GALV.	
11	KK011890		O-RING D120X3 70SHORE	
12	KK011891		O-RING D150X3 70 SHORE	
13	KK012978		WASHER D35.1-D50X3	
15	KK012979R		WASHER	
16	KK013062		O-RING D153X6 70 NBR	
17	KK013064		O-RING D112X2	
18	KK015817		NUT M12 GALV.	
19	KK029920		GREASE NIPPLE M8X1 STRAIGHT	
20	KK032051		CHEESE HEAD SCREW M20X50 DIN 7984	
21	KK032725		HEX BOLT M16X27 10.9	
22	KK032735		HEX BOLT M16X35 10.9	
23	KK033416		HEX BOLT M8X16 GALV.	
24	KK033630		HEX BOLT M12X30 GALV.	
25	KK067031R		MAINBOLT	
26	KK071904R		SEALRING	
27	KK081402		WASHER D34-D57X9 CONVEX	
28	KK081404		ADJUSTABLE SCREW	
29	KK081457R		BEARING HS200/300	
30	KK081506		NUT WITH HANDLE	
31	KK081531R		ADJUSTING ARM HS200	
32	KK081536R		END CAP HS200 WITH SCREWS	
33	KK081540R		LOCK MECHANISM HS200	
34	KK081543		TRANSPORT LOCK 300 HEADSTOCK	
35	KK081557R		BRACKET FOR VALVE HS200	
36	KK081569R		HANDLE FOR TRANSPORT-LOCK HS200	
37	KK081570R		AXLE FOR TRANSPORT-LOCK HS200	
38	KK081571R		ECCENTRIC FOR TRANSPORT-LOCK	
39	KK081572R		WASHER FOR HS200	
40	KK081599		ADJUSTER	
41	KK081796		HEADSTOCK MOD. 200 WITH BEARING	



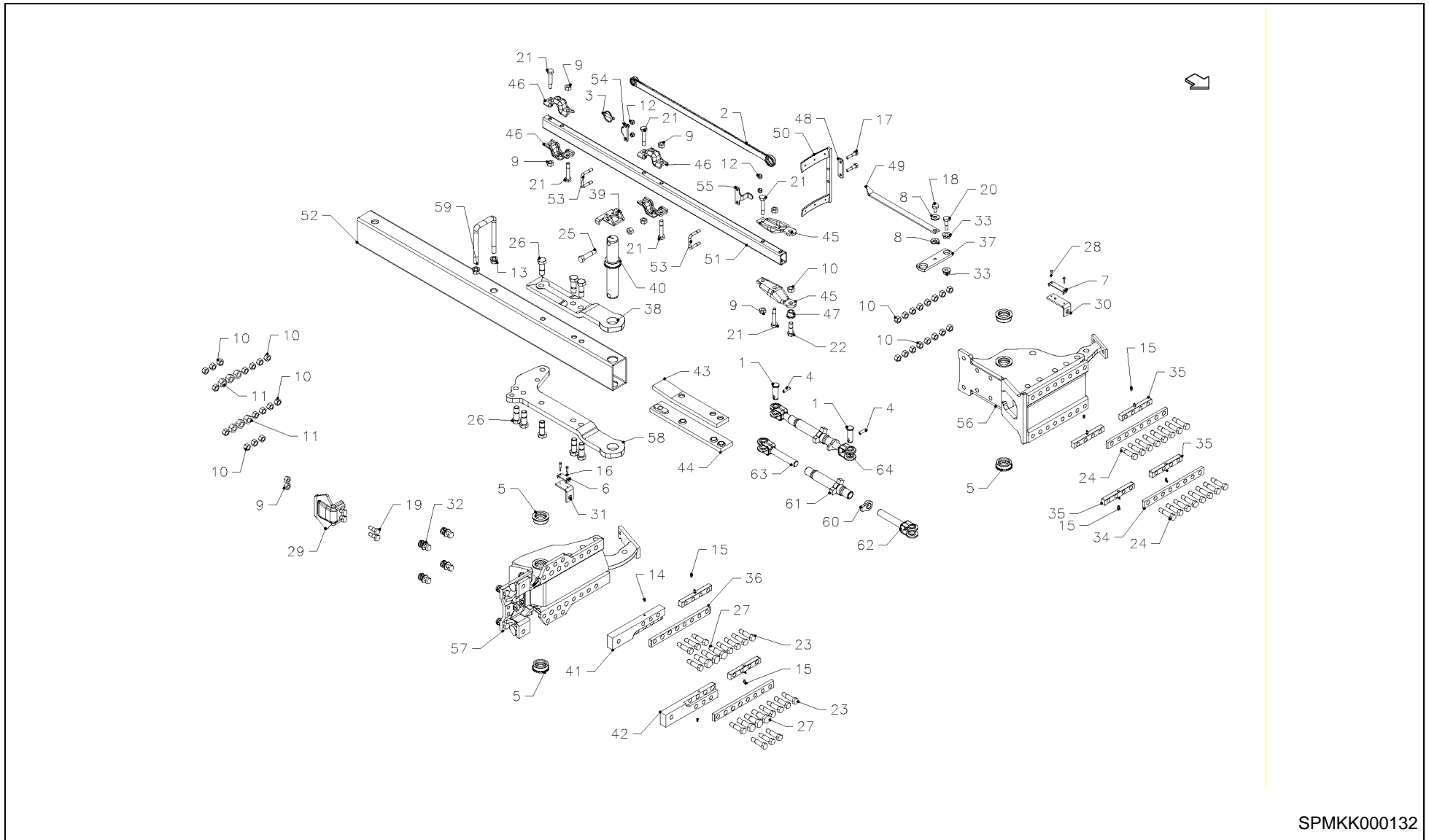
SPMKK000028

ESLS / HEADSTOCK 200 - TOWER



PosNo.	Part No.	Qty.	Description	Remark
42	KK356042R		PRESSURE SPRING D2.8-D23.8X125	

ESLS / FRAME AND FRONT SECTION HS-110



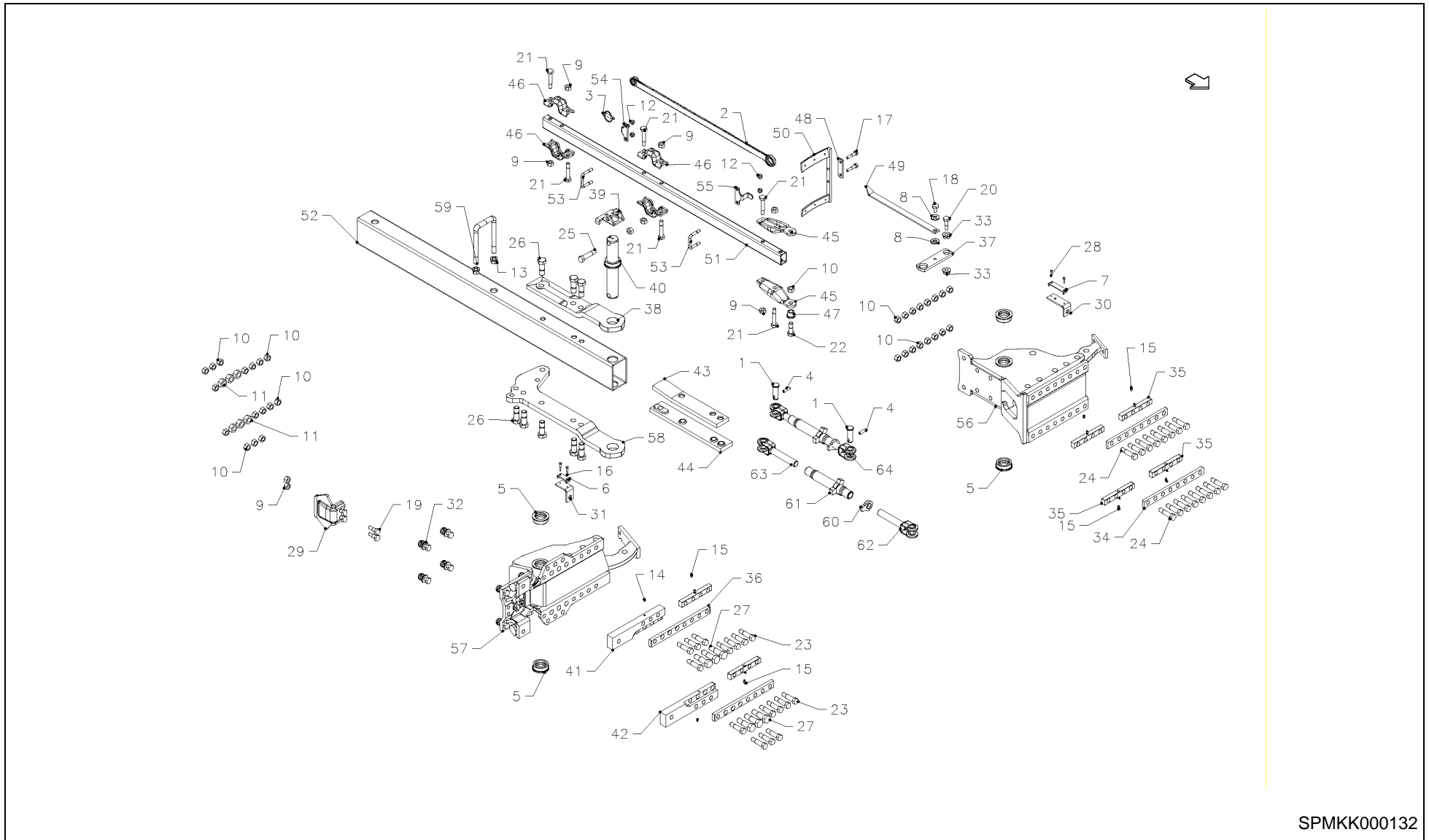
SPMKK000132

ESLS / FRAME AND FRONT SECTION HS-110



PosNo.	Part No.	Qty.	Description	Remark
1	KK010315		BOLT W/ HEAD D25.3X60	
2	KK010650		UNIVERSAL SPANNER NV 27-36	
3	KK010700		PIN D12 NS 555	
4	KK011020		ROLL PIN D12X40 NS5109 GALV.	
5	KK011603R		SLIDE BEARING W/FLANGE D55X25-D72/20	
6	KK012520		CLAMP FOR 3X1/4-HOSE	
7	KK012710		CLAMP FOR 6X1/4-HOSES	
8	KK012922		WASHER D17-D40X4.58	
9	KK015825		NUT M16	
10	KK015830		NUT M20	
11	KK015841		NUT M24 GALV.	
12	KK016008		NYLOC NUT M12	
13	KK016049		FLANGE NUT M20 WITH LOCK	
14	KK029920		GREASE NIPPLE M8X1 STRAIGHT	
15	KK029927		GREASE NIPPLE M8X1 45 DG	
16	KK032340		HEX BOLT M6X40 PARTLY THREAD	
17	KK032655		HEX BOLT M12 X 55	
18	KK032725		HEX BOLT M16X27 10.9	
19	KK032745		HEX BOLT M16X45 10.9	
20	KK032755		HEX BOLT M16X55 10.9	
21	KK032790		HEX BOLT M16X90 10.9	
22	KK032855		HEX BOLT M20X55 10.9	
23	KK032875		HEX BOLT M20X75 10.9	
24	KK032880		HEX BOLT M20X80 10.9	
25	KK032885		HEX BOLT M20X85 10.9	
26	KK032970		HEX BOLT M24X70 S=27+3	
27	KK032980		HEX BOLT M24X80 S=40+3	
28	KK033325		HEX BOLT M6X25 GALV.	
29	KK061637R		STEERING PLATE	
30	KK061940		BRACKET FOR 6 HOSES H=70	
31	KK061947		BRACKET FOR 3 HOSES H=70	
32	KK071256		2 BALLS M16X50	
33	KK071664		SLIDE BEARING W/FLANGE D16.25X16-D30/13	
34	KK072606R		OUTER SLIDE-RAIL 8 HOLES 20.5	
35	KK072621R		INNER SLIDE RAIL 4 HOLES B=22,3	
36	KK072635R		OUTER SLIDE RAIL 5H20.5/3H24.5 110	
37	KK074919		BRACKET FOR INDICATOR	
38	KK074924		UPPER SUPPORT D55 AXLE	
39	KK074927		LOCK PIECE D55	
40	KK074928R		AXLE W/ BUSHINGS D55	

ESLS / FRAME AND FRONT SECTION HS-110



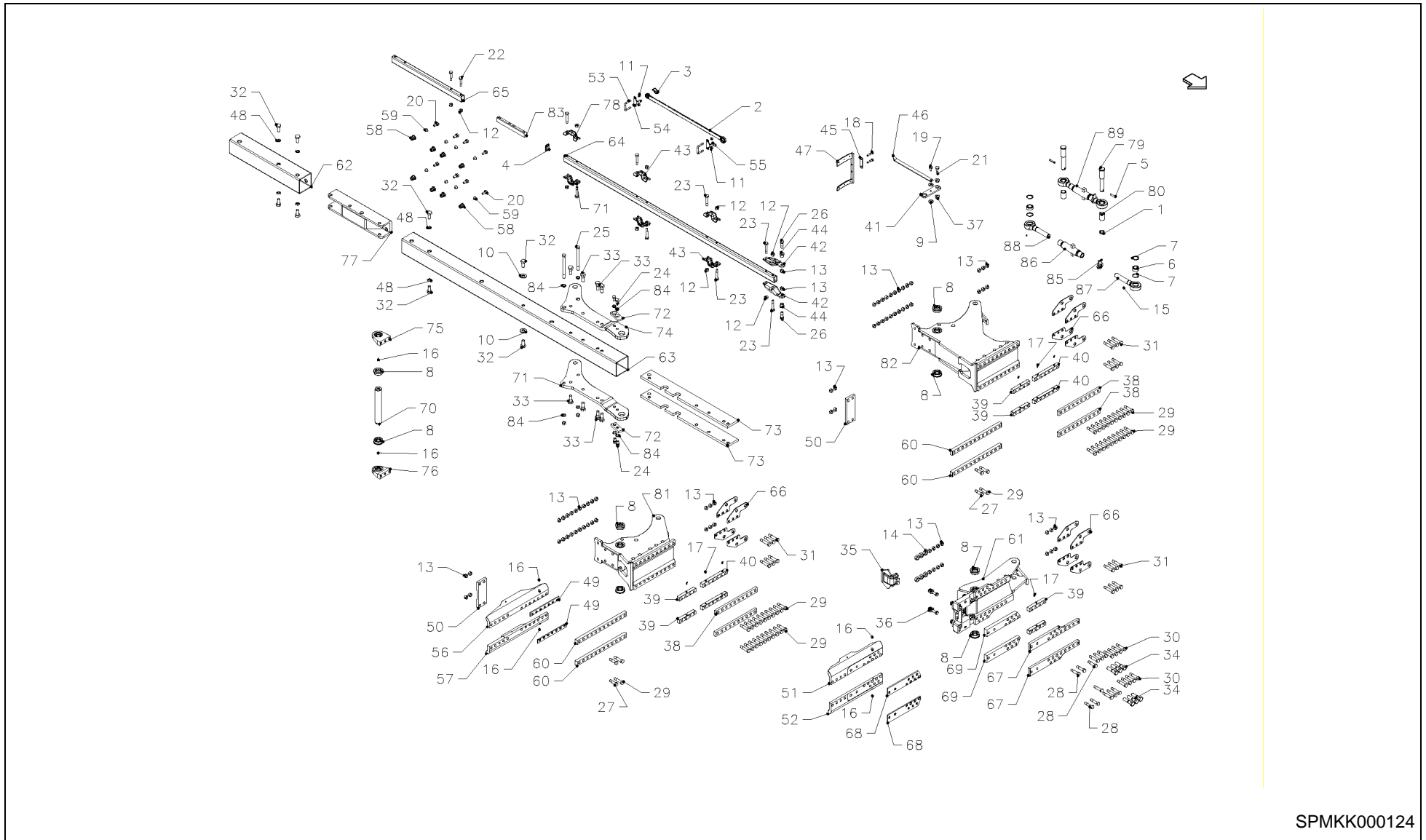
SPMKK000132

ESLS / FRAME AND FRONT SECTION HS-110



PosNo.	Part No.	Qty.	Description	Remark
41	KK075826R		SLIDE AND SUPPORT UPPER	
42	KK075827R		SLIDE AND SUPPORT LOWER	
43	KK075836		BAR. UPPER ES-HD	
44	KK075837		BAR. LOWER ES-HD	
45	KK075871		BRACKET FOR PARALLEL ROD	
46	KK075872		BRACKET FOR PARALLEL ROD	
47	KK075880		SLIDE BEARING W/ FLANGE D20.25X27-D30/22	
48	KK075903		PLATE FOR SCALE	
49	KK075904		INDICATOR	
50	KK075906		HOLDER FOR INDICATOR ASSEMBLED	
51	KK075934		PARALLEL ROD ES 80 2 FURROW	
51	KK075935		PARALLEL ROD ES 80 3 FURROW	
51	KK075944	1	PARALLEL ROD ES 95 2 FURROW	
51	KK075945	1	PARALLEL ROD ES 95 3 FURROW	
52	KK075950	1	MAIN FRAME ES-HD 80 2 FURROW	
52	KK075951		MAIN FRAME ES-HD 80 3 FURROW	
52	KK075960	1	MAIN FRAME ES-HD 95 2 FURROW	
52	KK075961	1	MAIN FRAME ES-HD 95 3 FURROW	
53	KK081549		U-BOLT M12-4KT61-61	
54	KK081578		SPANNER HOLDER PARALLEL ROD	
55	KK081579		SPANNER HOLDER	
56	KK081618		MAIN SUPPORT W BUSHINGS LS	
57	KK081773		FRONT W BUSHING AND BALLS ES	
58	KK085224		SUPPORTING BRACKET LOWER 5 FURROWS	
59	KK085247		U-BOLT M20-SQ102-200	
60	KK351148		COUNTER NUT M30X3,5	
61	KK351200		TUBE FOR TURNBUCKLE M30X3.5	
62	KK351202		SCREW M30X3,5 R THREADS	
63	KK351203		SCREW M30X3,5 L THREADS	

ESLS / FRAME AND FRONT SECTION HS-200

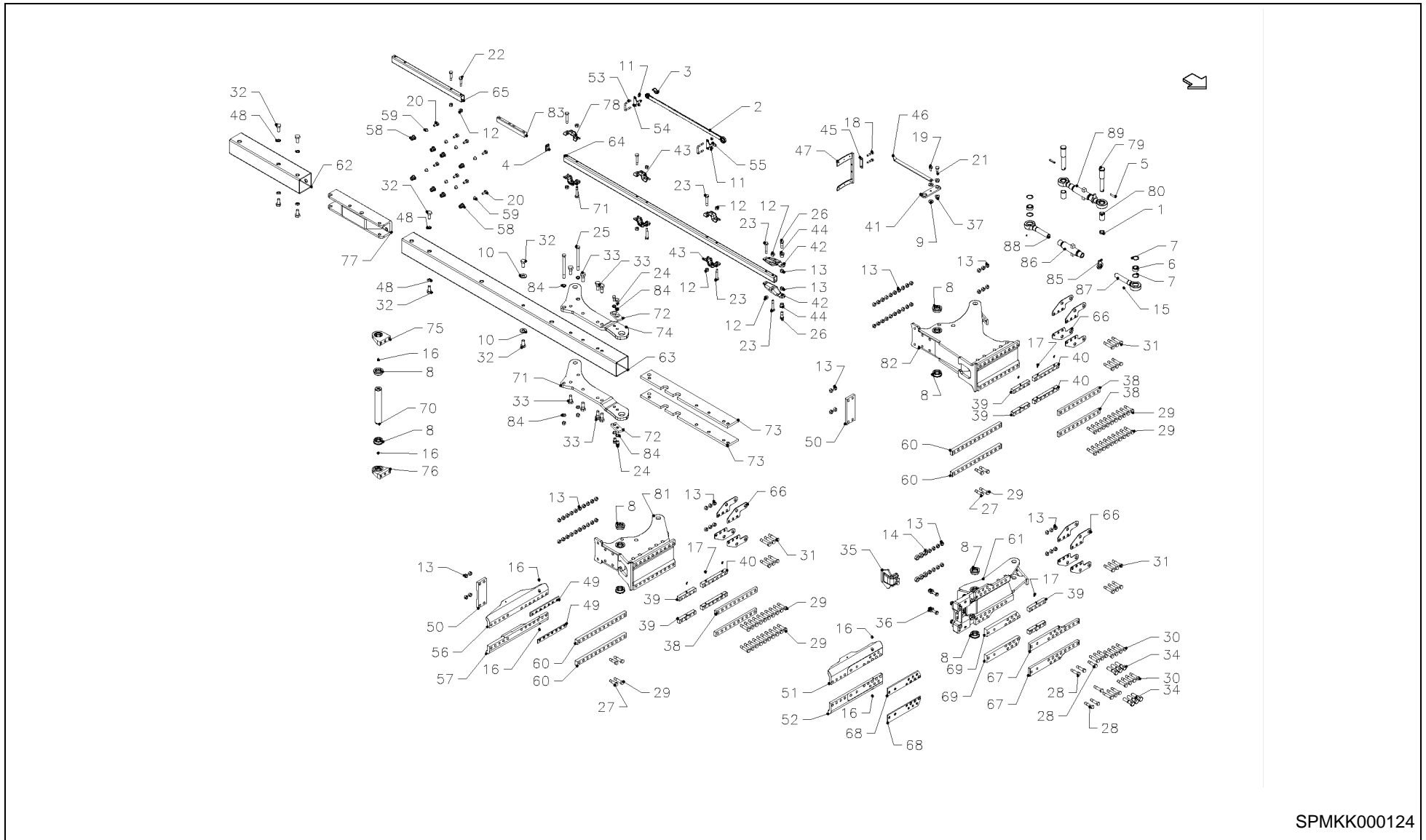


SPMKK000124

ESLS / FRAME AND FRONT SECTION HS-200

PosNo.	Part No.	Qty.	Description	Remark
1	KK010149		BUSHING D35-D42.5X10	
2	KK010650		UNIVERSAL SPANNER NV 27-36	
3	KK010700		PIN D12 NS 555	
4	KK010909		PLASTIC COVER SQUARE TUBE 60X40X5	
5	KK011048		ROLL PIN D12X60 GALV.	
6	KK011223R		SPHERICAL BEARING GE 35 DO	
7	KK011261		CIRCLIP I 55X2 NS5144	
8	KK011603R		SLIDE BEARING W/FLANGE D55X25-D72/20	
9	KK012922		WASHER D17-D40X4.58	
10	KK012940		WASHER D25.4-D55X4.58	
11	KK015817		NUT M12 GALV.	
12	KK015825		NUT M16	
13	KK015830		NUT M20	
14	KK015841		NUT M24 GALV.	
15	KK029918		GREASE NIPPLE M6	
16	KK029920		GREASE NIPPLE M8X1 STRAIGHT	
17	KK029927		GREASE NIPPLE M8X1 45 DG	
18	KK032655		HEX BOLT M12 X 55	
19	KK032725		HEX BOLT M16X27 10.9	
20	KK032735		HEX BOLT M16X35 10.9	
21	KK032755		HEX BOLT M16X55 10.9	
22	KK032775		HEX BOLT M16X75 10.9	
23	KK032795		HEX BOLT M16X95 10.9	
24	KK032830		HEX BOLT M20X30 10.9	
25	KK032839		HEX BOLT M20X230 10.9	
26	KK032855		HEX BOLT M20X55 10.9	
27	KK032870		HEX BOLT M20X70 10.9	
28	KK032880		HEX BOLT M20X80 10.9	
29	KK032885		HEX BOLT M20X85 10.9	
30	KK032890		HEX BOLT M20X90 10.9	
31	KK032895		HEX BOLT M20X95 10.9	
32	KK032950		HEX BOLT M24X50 10.9	
33	KK032960		HEX BOLT M24X60 S=13+3	
34	KK032995		HEX BOLT M24X95	
35	KK061637R		STEERING PLATE	
36	KK071259		2 BALLS M16X90 WITH LOCTITE	
37	KK071664		SLIDE BEARING W/FLANGE D16.25X16-D30/13	
38	KK071942R		SLIDE RAIL OUTER 10H D20.5	
39	KK072617R		INNER SLIDE RAIL B=30,3	
40	KK072618R		INNER SLIDE RAIL 6 HOLES Å#20 LB-EG	

ESLS / FRAME AND FRONT SECTION HS-200



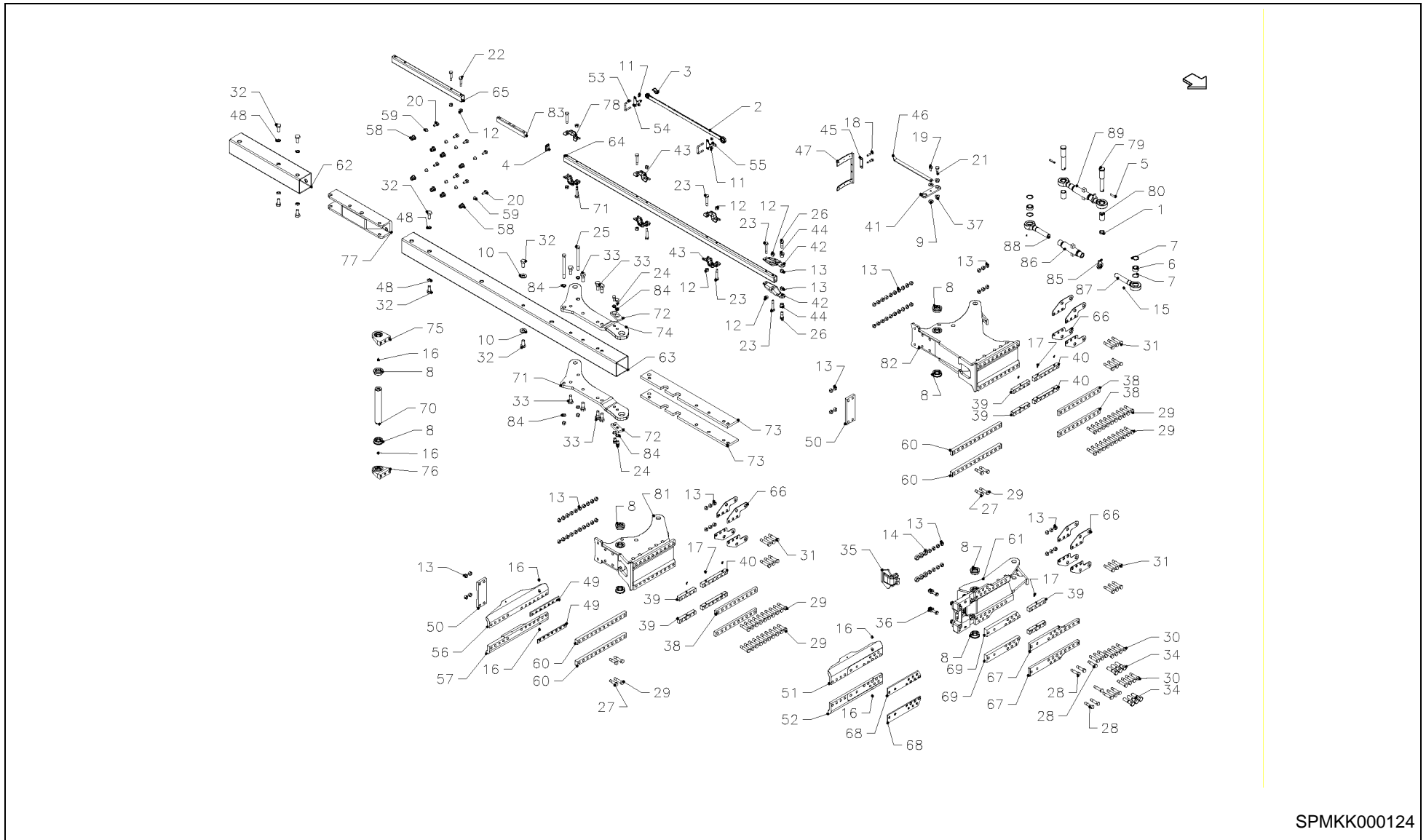
SPMKK000124

ESLS / FRAME AND FRONT SECTION HS-200



PosNo.	Part No.	Qty.	Description	Remark
41	KK074919		BRACKET FOR INDICATOR	
42	KK075871		BRACKET FOR PARALLEL ROD	
43	KK075872		BRACKET FOR PARALLEL ROD	
44	KK075880		SLIDE BEARING W/ FLANGE D20.25X27-D30/22	
45	KK075903		PLATE FOR SCALE	
46	KK075904		INDICATOR	
47	KK075906		HOLDER FOR INDICATOR ASSEMBLED	
48	KK079596		SPRING WASHER D24	
49	KK081344		PLATE INNER SLIDE 7H T=8 D20	
50	KK081345R		PLATE, SLIDE PACOMAT VH200	
51	KK081382R		FIXING BAR UPPER ES/LS	
52	KK081383R		FIXING BAR LOWER	
53	KK081549		U-BOLT M12-4KT61-61	
54	KK081578		SPANNER HOLDER PARALLEL ROD	
55	KK081579		SPANNER HOLDER	
56	KK081778		FIXING BAR SHORT UPPER	
57	KK081779		FIXING BAR SHORT LOWER	
58	KK082646		CONICAL BUSHING D32	
59	KK082647		INNER CONE FOR M16 SCREW	
60	KK085278R		SLIDE LIST OUTER 12H 20.5	
61	KK085307		MODUL FRONT PIECE ES	
62	KK085308		EXTENTION TUBE ES 85	
62	KK085309		EXTENTION TUBE ES 100	
62	KK085354		EXTENTION TUBE LS 115	
63	KK085314		MAIN FRAME ES 85 3 FURROW	
63	KK085315		MAIN FRAME ES 85 4 FURROW	
63	KK085319		MAIN FRAME ES 85 5 FURROW	
63	KK085316		MAIN FRAME ES 100 3 FURROW	
63	KK085317		MAIN FRAME ES 100 4 FURROW	
63	KK085318		MAIN FRAME ES 100 5 FURROW	
63	KK085355		MAIN FRAME LS 115 3 FURROW	
63	KK085356		MAIN FRAME LS 115 4 FURROW	
64	KK085321		PARALLEL ROD ES 85 3 FURROW	
64	KK085322		PARALLEL ROD ES 85 4 FURROW	
64	KK085323		PARALLEL ROD ES 85 5 FURROW	
64	KK085326		PARALLEL ROD ES 100 3 FURROW	
64	KK085327		PARALLEL ROD ES 100 4 FURROW	
64	KK085328		PARALLEL ROD ES 100 5 FURROW	
64	KK085357		PARALLEL ROD LS 115 3 FURROW	
64	KK085358		PARALLEL ROD LS 115 4 FURROW	

ESLS / FRAME AND FRONT SECTION HS-200

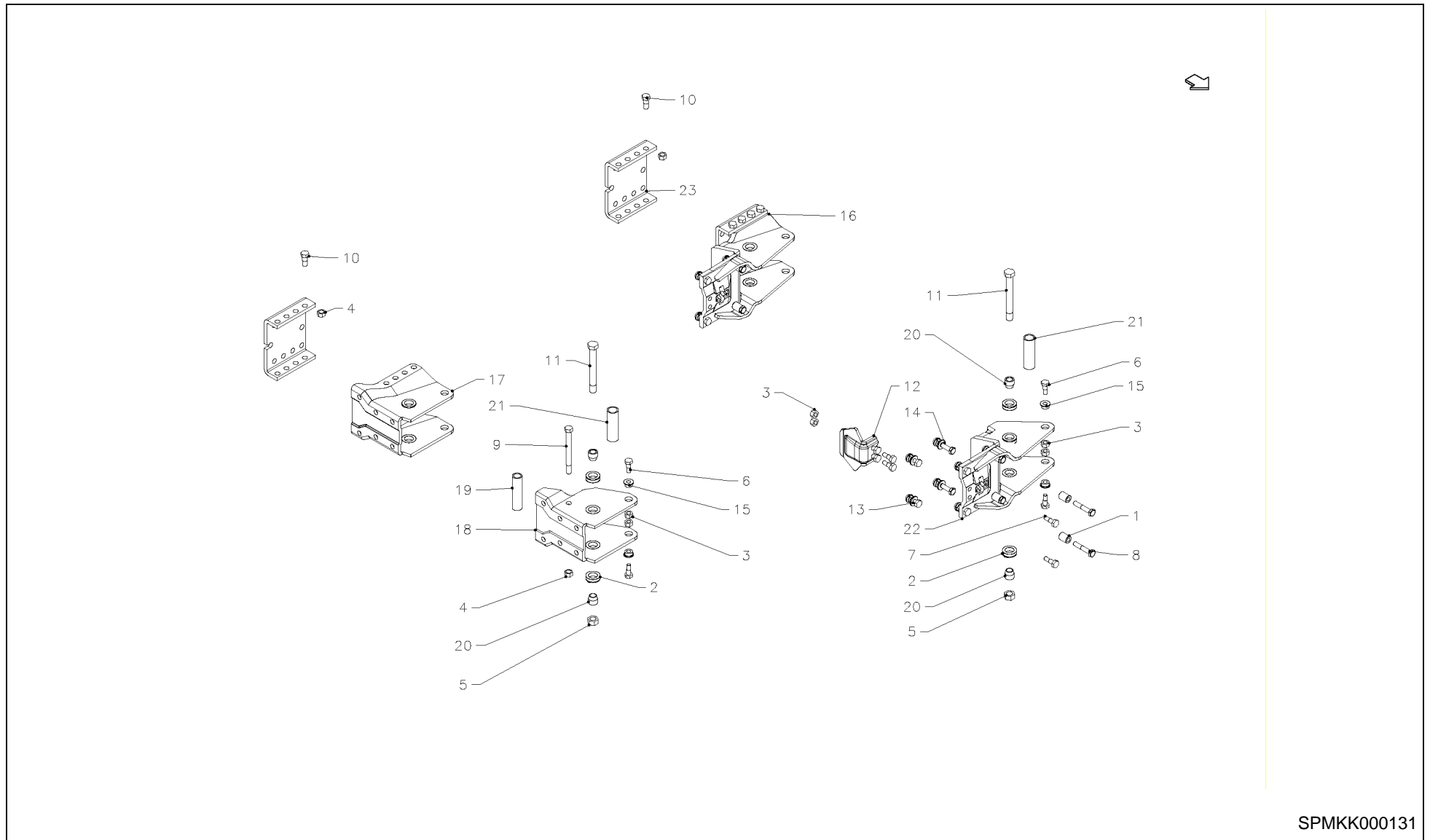


SPMKK000124

ESLS / FRAME AND FRONT SECTION HS-200



PosNo.	Part No.	Qty.	Description	Remark
65	KK085324		EXTENSION TUBE PARALELL ROD ES 85	
65	KK085329		EXTENSION TUBE PARALELL ROD ES 100	
65	KK085359		EXTENSION TUBE PARALELL ROD LS 115	
66	KK085336R		PLATE CYLINDER BRACKET	
67	KK085337R		RAIL OUTER	
68	KK085338R		PLATE	
69	KK085347R		RAIL	
70	KK085361		AXLE D55X358	
71	KK085362		SUPPORTING BRACKET LOWER	
72	KK085363		LAASEPLATE	
73	KK085364		SUPPORT PLATE	
73	KK085375		SUPPORT PLATE LS 115	
74	KK085366		SUPPORTING BRACKET UPPER	
75	KK085367		PLATE WITH BUSHING UPPER	
76	KK085368		SUPPORTING PLATE WITH BEARING LOWER	
77	KK085370		SUPPORT EXTENSION KIT ES	
78	KK085372		FIX FOR PARALELL ROD EXTENTION KIT ES	
79	KK085373		BOLT WITH STEP	
80	KK085374		TUBE D44XD35X60	
81	KK085830		MODUL FRONTPIECE SHORT	
82	KK085840		MODUL FRONTPIECE LONG	
83	KK088061		CONNECTING PIECE PARALLELLROD	
84	KK301223		CONE D20.5-D32X12	
85	KK351192		COUNTER NUT M36X4	
86	KK351226		TUBE WITH KNOBS	
87	KK351230		TUBE WITH BALL BEARING RIGHT	
88	KK351231		TUBE WITH BALL BEARING LEFT	
89	KK361143		TURNBUCKLE M36X 4X 468+210	

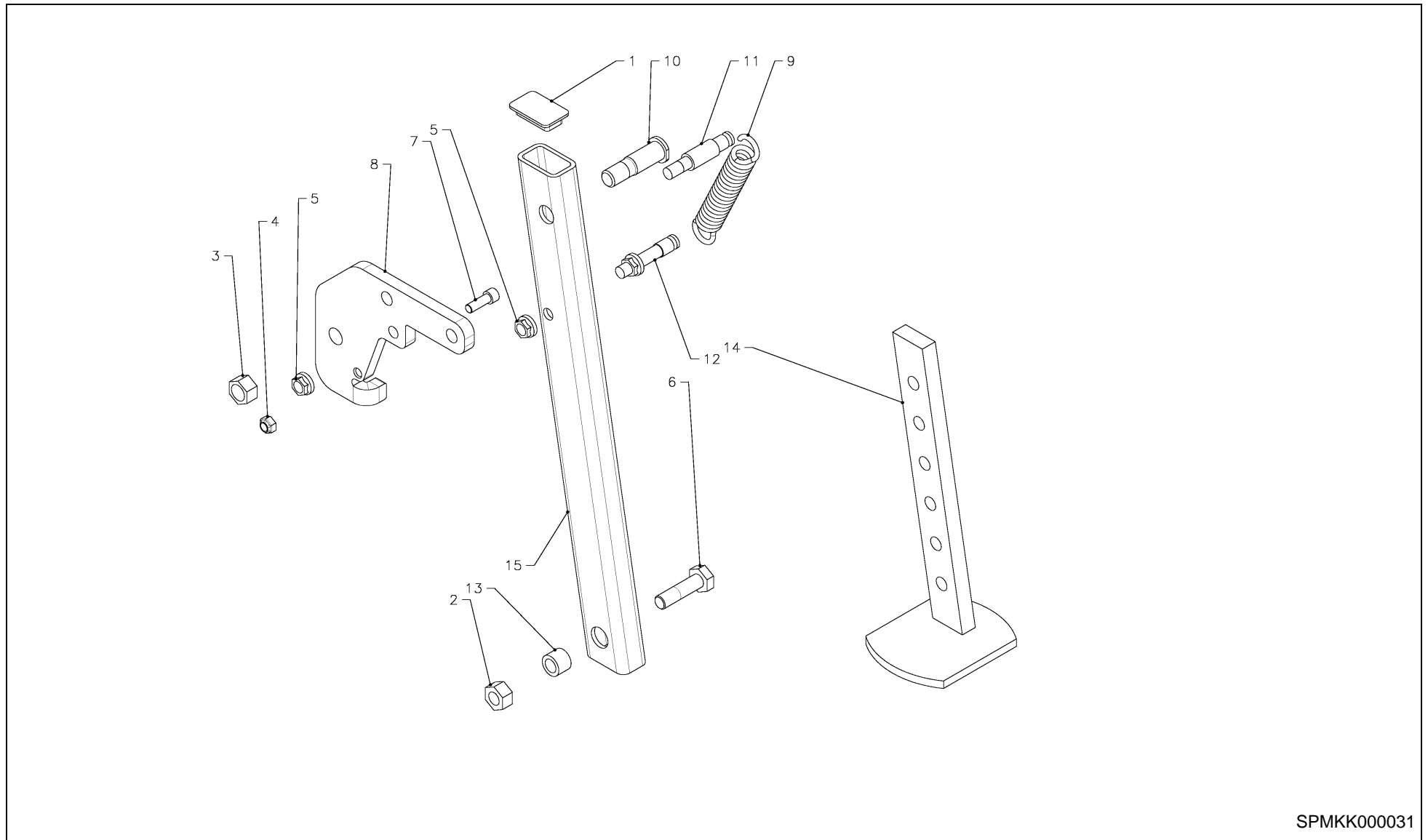


SPMKK000131

ESLS / BEAM SUPPORT STEPLESS

PosNo.	Part No.	Qty.	Description	Remark
1	KK010168		BUSHING D16.25XD30X41 GALV.	
2	KK011632		SLIDE BEARING D35.35-D55.5X16	
3	KK015825		NUT M16	
4	KK015830		NUT M20	
5	KK015841		NUT M24 GALV.	
6	KK032745		HEX BOLT M16X45 10.9	
7	KK032754		2 BOLTS FOR BALLS M16X50	
8	KK032794		2 BOLTS FOR BALLS M16X90	
9	KK032820		HEX BOLT M20X200 10.9	
10	KK032845		HEX BOLT M20X45 10.9	
11	KK032921		HEX BOLT M24 X210 S=175+3	
12	KK061637R		STEERING PLATE	
13	KK071256		2 BALLS M16X50	
14	KK071259		2 BALLS M16X90 WITH LOCTITE	
15	KK071664		SLIDE BEARING W/FLANGE D16.25X16-D30/13	
16	KK074744		BEAM/WHEEL SUPPORT W/BUSH&BALL ES	
17	KK074765		BEAM/WHEEL SUPPORT W/BUSHING LS	
18	KK074902		BEAM SUPPORT W/BUSHINGS LS	
19	KK074912		BUSHING D28-D38X151	
20	KK074913		CONE D24-D35X33	
21	KK075889		BUSHING D34.5-D44.5X135	
22	KK075911		BEAM SUPPORT W/BALLS	
23	KK081369		PLATE FOR DEPTH WHEEL 8XD20	

ESLS / PARKING STAND



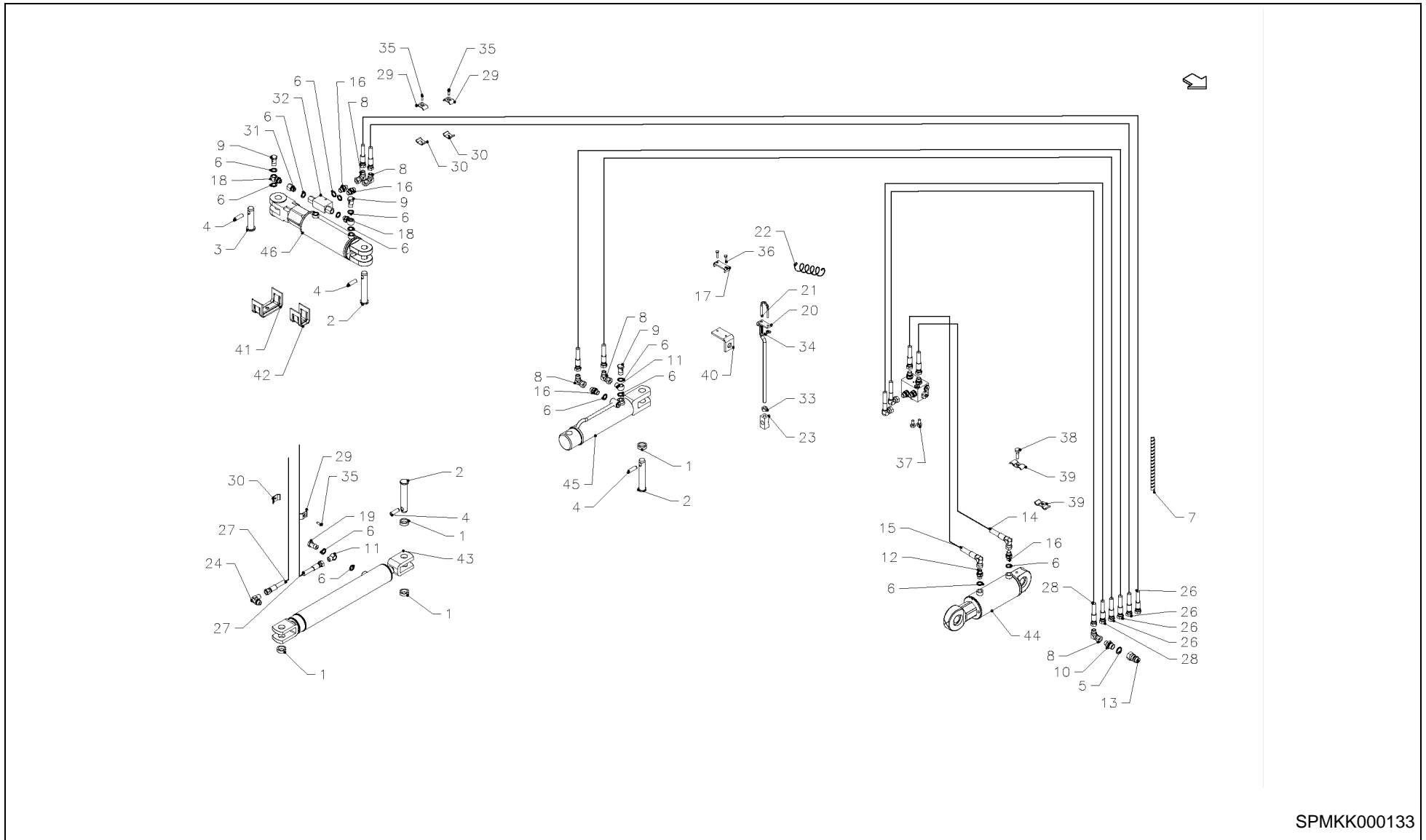
SPMKK000031

ESLS / PARKING STAND



PosNo.	Part No.	Qty.	Description	Remark
1	KK010909		PLASTIC COVER SQUARE TUBE 60X40X5	
2	KK015825		NUT M16	
3	KK015830		NUT M20	
4	KK016006		LOCK NUT M10 NYLON	
5	KK016013		FLANGE NUT M14 KEY19	
6	KK032760		HEX BOLT M16X60 10.9	
7	KK035025		CHEESE HEAD SCREW M10X30 12.9	
8	KK071710		BRACKET FOR MACHINE STAND	
9	KK071711R		SPRING FOR MACHINE STAND	
10	KK071712R		MAIN BOLT	
11	KK071713		FRONT MAIN BOLT FOR SPRING	
12	KK071714R		PIN	
13	KK074319		BUSHING D16.5-D25.5X19	
14	KK081622		MACHINE STAND LOWER ADJUSTABLE	
15	KK081624R		TUBE FOR ADJUSTABLE PARKING STAND	

ESLS / HYDRAULICS HS-110+ FRONT FURROWS ADJUSTMENT



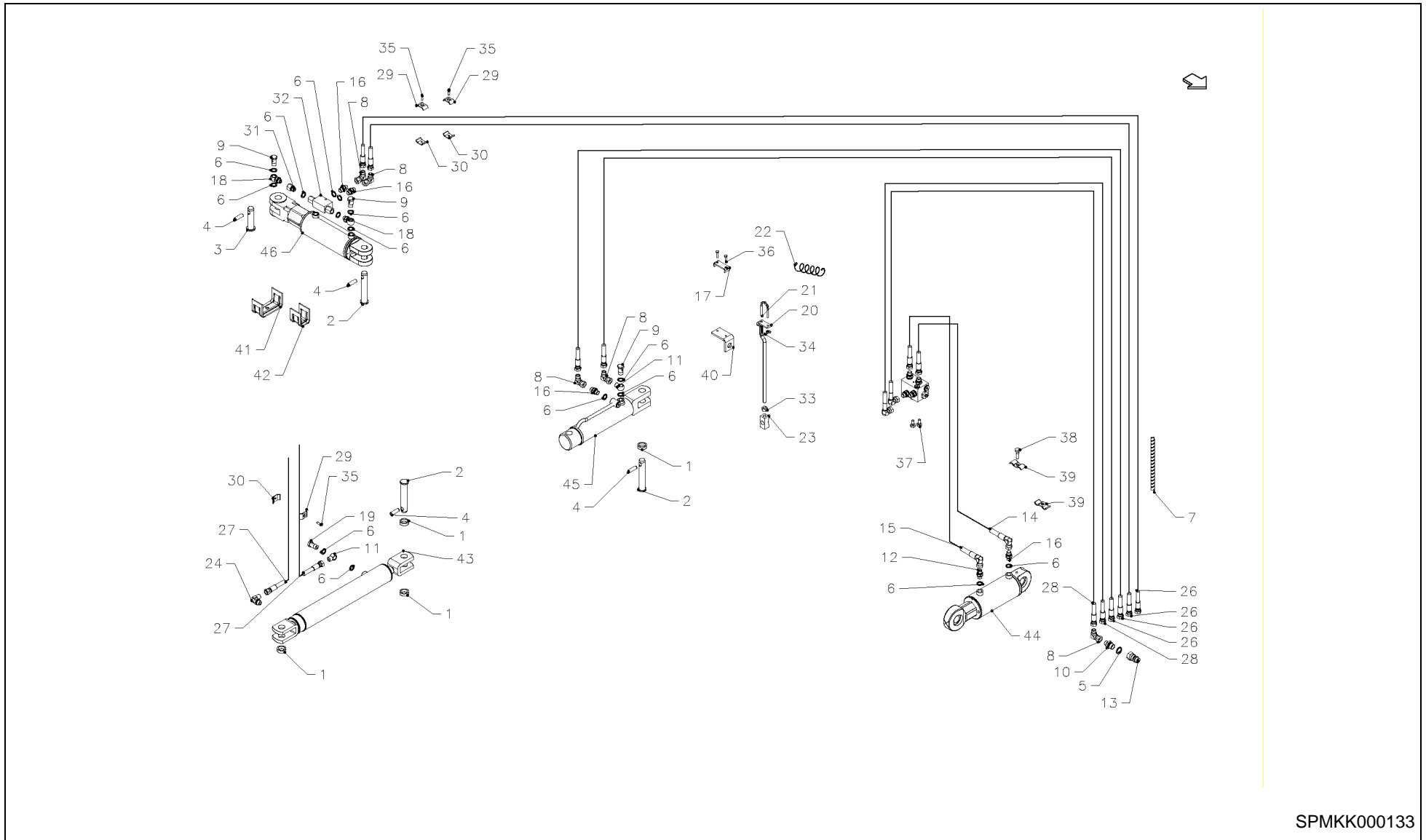
SPMKK000133

ESLS / HYDRAULICS HS-110+ FRONT FURROWS ADJUSTMENT



PosNo.	Part No.	Qty.	Description	Remark
1	KK010008		BUSHING D25.7-D35X10	
2	KK010319		BOLT W/ HEAD D25.3X120	
3	KK010328		BOLT W/HEAD D25.3X78	
4	KK011020		ROLL PIN D12X40 NS5109 GALV.	
5	KK011565		SEAL RING R 1/2 (INNER D21)	
6	KK011585		SEAL RING R 3/8(INNER D17)	
7	KK011596		HOSE WRAPPER D12.5X250	
8	KK012056		90 DEG MALE-FEMALE G3/8 ADAPTOR	
9	KK012059		BANJO BOLT G3/8X31	
10	KK012060		COUPLING 3/8-1/2 U/INNER	
11	KK012062		BANJO G3/8- SHORT-H=17	
12	KK012077		COUPLING 3/8 D1.7 RESTRICTOR	
13	KK012158		QUICK COUPLING 1/2-3/8 W-COUP.	
14	KK012208		HOSE 3/8X500 R-SV/90-SV	
15	KK012209		HOSE 3/8X600 R-SV/90-SV	
16	KK012261		COUPLING 3/8-3/8	
17	KK012520		CLAMP FOR 3X1/4-HOSE	
18	KK012548		BANJO G3/8 WITH ADJUSTABLE END	
19	KK012550		BANJO BOLT 3/8X31 M8 INNER THREAD	
20	KK012701		HOSE HOLDER HS110-160-240	
21	KK012702		U-BOLT M6-28-52	
22	KK012704		SPRING D2-D32X1300	
23	KK012725		BRACKET M16 FOR HOLDER	
24	KK012730		90 DEG MALE-FEMALE ADJUSTABLE ADAPTOR	
26	KK012786		HOSE 1/4X3000 R-SV/R-SV	
27	KK012787		HOSE 1/4X3250 R-SV/R-SV	
28	KK012788		HOSE 3/8X1500 R-SV/45-SV	
29	KK013531		PIPE SUPPORT 1/4X2-D7	
30	KK013532		PIPE SUPPORT 1/4X2-M6	
31	KK013680		COUPLING 3/8-3/8 OUT/INN L=18	
32	KK013689		LOCK VALVE G3/8 WITHOUT O-RING	
33	KK015817		NUT M12 GALV.	
34	KK015899		WING NUT M6	
35	KK033321		COUNTERSUNK SCREW W/CR.TR M6X20	
36	KK033325		HEX BOLT M6X25 GALV.	
37	KK033520		HEX BOLT M10X20 GALV.	
38	KK033535		HEX BOLT M10X35 8.8 FULL THR. GALV	
39	KK061942		CLAMP FOR 2 HOSES. STEEL	
40	KK061943		BRACKET FOR 3 HOSES H=55	
41	KK072176		TAPPET FOR MEMORY CYLINDER D80	

ESLS / HYDRAULICS HS-110+ FRONT FURROWS ADJUSTMENT



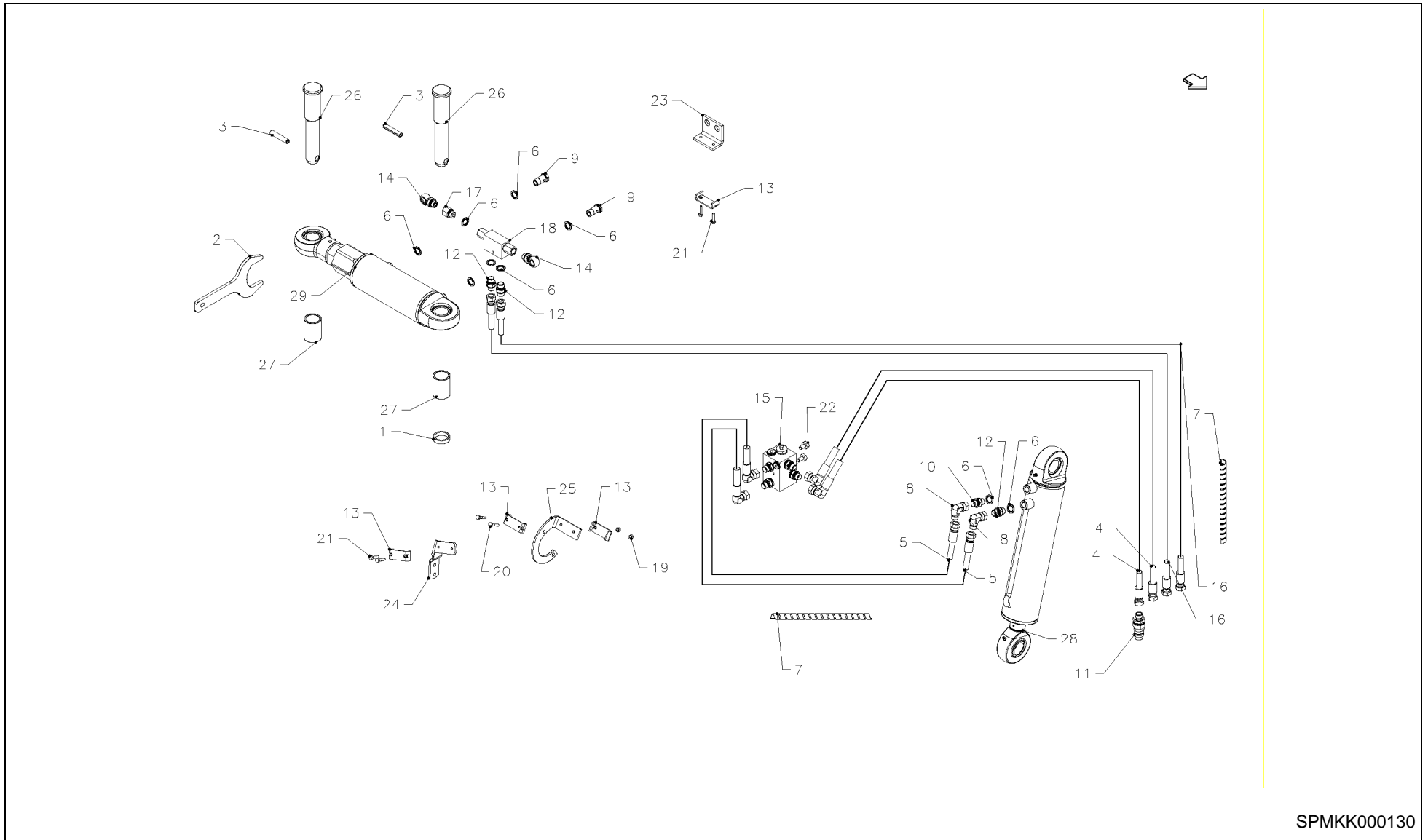
SPMKK000133

ESLS / HYDRAULICS HS-110+ FRONT FURROWS ADJUSTMENT



PosNo.	Part No.	Qty.	Description	Remark
42	KK072178		TAPPET FOR TURNBUCKLE D43	
43	KK300803		CYLINDER D63-D32X670+400	
44	KK353632		TURNING CYLINDER D80-D35X355+130	
45	KK353680		CYL D63-D32X400+200 HS300	
46	KK354709		CYLINDER D80-D40X470+150	

ESLS / HYDRAULICS HS-200 BASIC VERSION



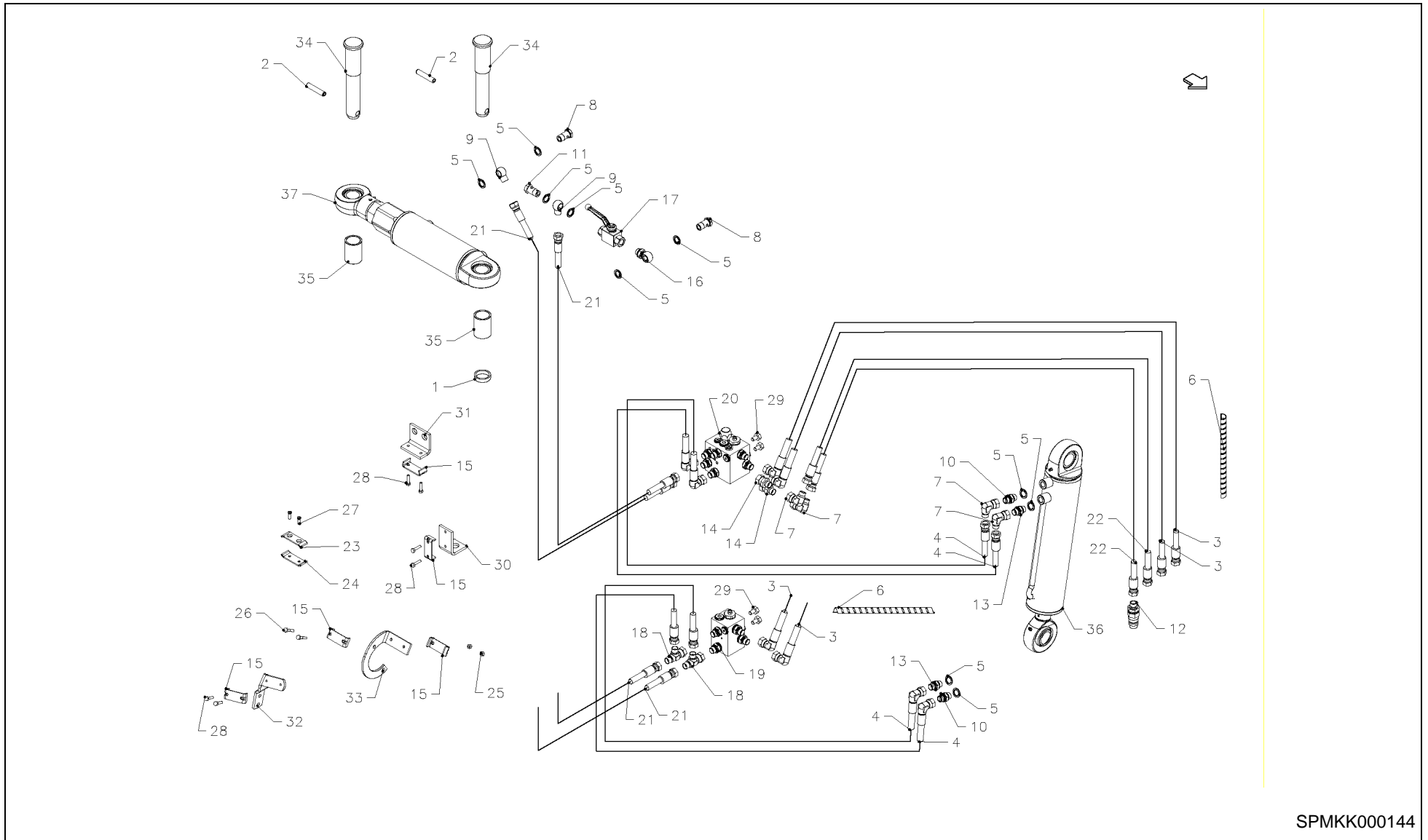
SPMKK000130

ESLS / HYDRAULICS HS-200 BASIC VERSION



PosNo.	Part No.	Qty.	Description	Remark
1	KK010149		BUSHING D35-D42.5X10	
2	KK010655		SPANNER FOR TURNOVER CYLINDER	
3	KK011048		ROLL PIN D12X60 GALV.	
4	KK011538		HOSE 3/8X1000 R-SV/90-SV	
5	KK011541		HOSE 3/8X700 R-SV/90-SV	
6	KK011585		SEAL RING R 3/8(INNER D17)	
7	KK011596		HOSE WRAPPER D12.5X250	
8	KK012056		90 DEG MALE-FEMALE G3/8 ADAPTOR	
9	KK012059		BANJO BOLT G3/8X31	
10	KK012080		COUPLING 3/8 D3.0 RESTRICTOR	
11	KK012158		QUICK COUPLING 1/2-3/8 W-COUPL.	
12	KK012261		COUPLING 3/8-3/8	
13	KK012520		CLAMP FOR 3X1/4-HOSE	
14	KK012548		BANJO G3/8 WITH ADJUSTABLE END	
15	KK012740R		TURN OVER VALVE G3/8	
16	KK012752		HOSE 1/4X3500 R-SV/R-SV	
17	KK013680		COUPLING 3/8-3/8 OUT/INN L=18	
18	KK013689		LOCK VALVE G3/8 WITHOUT O-RING	
19	KK015806		NUT M6	
20	KK032330		HEX BOLT M6X30 PARTLY THREAD	
21	KK033325		HEX BOLT M6X25 GALV.	
22	KK033516		HEX BOLT M10X16 8.8	
23	KK061978		BRACKET FOR 3 HOSES H=60	
24	KK081566		FIXING BRACKET FOR HOSES HS200	
25	KK081593		BRACKET FOR HOSE SUPPORT	
26	KK085373		BOLT WITH STEP	
27	KK085374		TUBE D44XD35X60	
28	KK353664		TURNOVER CYL HS200 D80-D40X520+300	
29	KK354719		CYL D80-D40X470+150	

ESLS / HYDRAULICS HS-200 ALIGMENT SYSTEMS

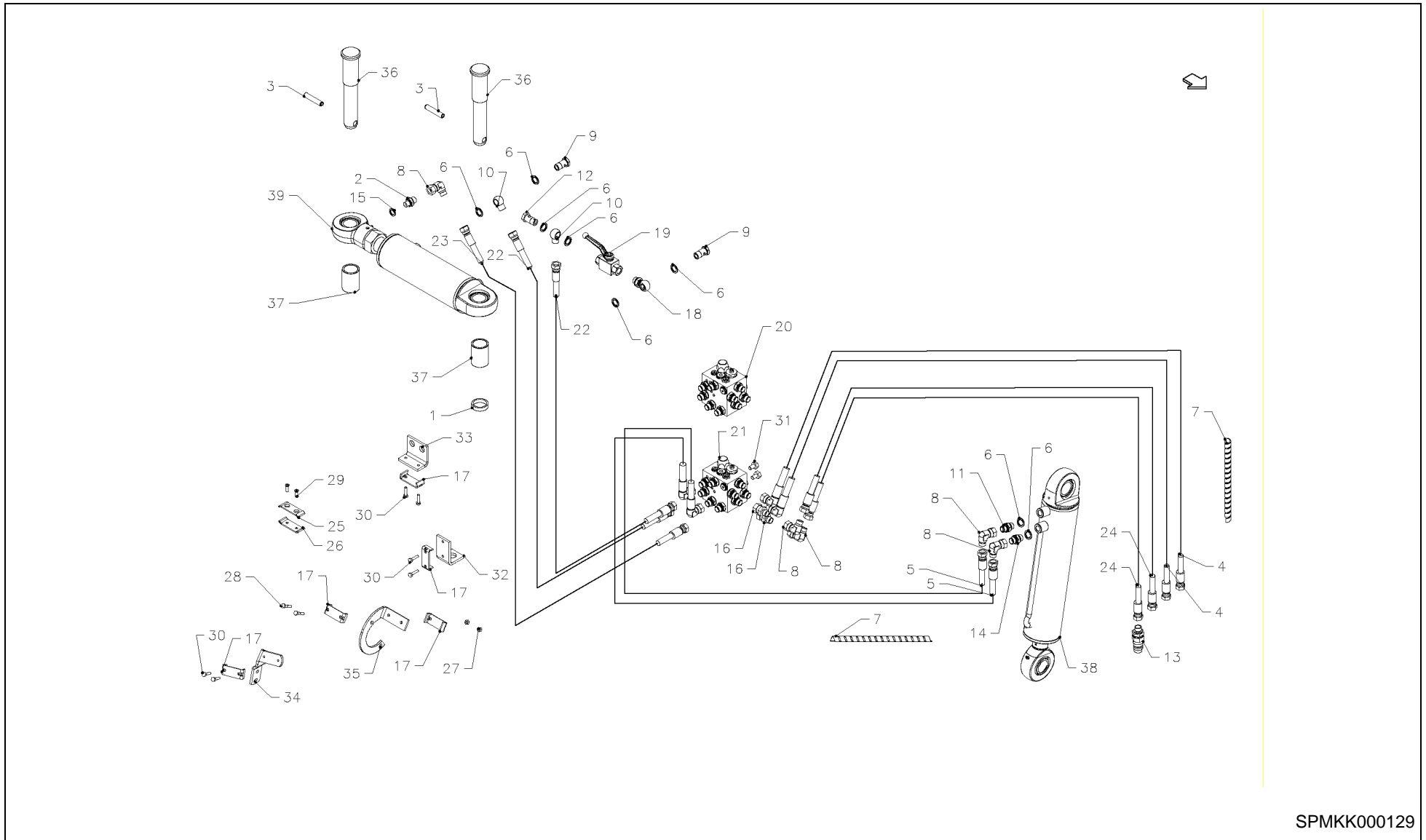


SPMKK000144

ESLS / HYDRAULICS HS-200 ALIGMENT SYSTEMS



PosNo.	Part No.	Qty.	Description	Remark
1	KK010149		BUSHING D35-D42.5X10	
2	KK011048		ROLL PIN D12X60 GALV.	
3	KK011538		HOSE 3/8X1000 R-SV/90-SV	
4	KK011541		HOSE 3/8X700 R-SV/90-SV	
5	KK011585		SEAL RING R 3/8(INNER D17)	
6	KK011596		HOSE WRAPPER D12.5X250	
7	KK012056		90 DEG MALE-FEMALE G3/8 ADAPTOR	
8	KK012059		BANJO BOLT G3/8X31	
9	KK012062		BANJO G3/8- SHORT-H=17	
10	KK012080		COUPLING 3/8 D3.0 RESTRICTOR	
11	KK012082		BANJO BOLT 3/8X31 D1.4 RESTRICTOR	W/ RESTRICTOR WHEN SEQUENCE
11	KK012059		BANJO BOLT G3/8X31	WHEN NO SEQUENCE
12	KK012158		QUICK COUPLING 1/2-3/8 W-COUPPL.	
13	KK012261		COUPLING 3/8-3/8	
14	KK012319		COUPLING 3/8SWIVEL-3/8 OUTS.	
15	KK012520		CLAMP FOR 3X1/4-HOSE	
16	KK012548		BANJO G3/8 WITH ADJUSTABLE END	
17	KK012723		VALVE R3/8 WITH HANDLE	
18	KK012729		T-COUPLING 1XSWIVEL. 2X3/8OUT	
19	KK012740R		TURN OVER VALVE G3/8	
20	KK012742R		SEQ. VALVE G3/8	
21	KK012775		HOSE 1/4X2500 R-SV/R-SV	
22	KK012789		HOSE 1/4X900 R-SV/90-SV	
23	KK013533		PIPE SUPPORT 1/4X3-D7	
24	KK013534		PIPE SUPPORT 1/4X3-M6	
25	KK015806		NUT M6	
26	KK032330		HEX BOLT M6X30 PARTLY THREAD	
27	KK033321		COUNTERSUNK SCREW W/CR.TR M6X20	
28	KK033325		HEX BOLT M6X25 GALV.	
29	KK033516		HEX BOLT M10X16 8.8	
30	KK061943		BRACKET FOR 3 HOSES H=55	
31	KK061978		BRACKET FOR 3 HOSES H=60	
32	KK081566		FIXING BRACKET FOR HOSES HS200	
33	KK081593		BRACKET FOR HOSE SUPPORT	
34	KK085373		BOLT WITH STEP	
35	KK085374		TUBE D44XD35X60	
36	KK353664		TURNOVER CYL HS200 D80-D40X520+300	
37	KK354719		CYL D80-D40X470+150	

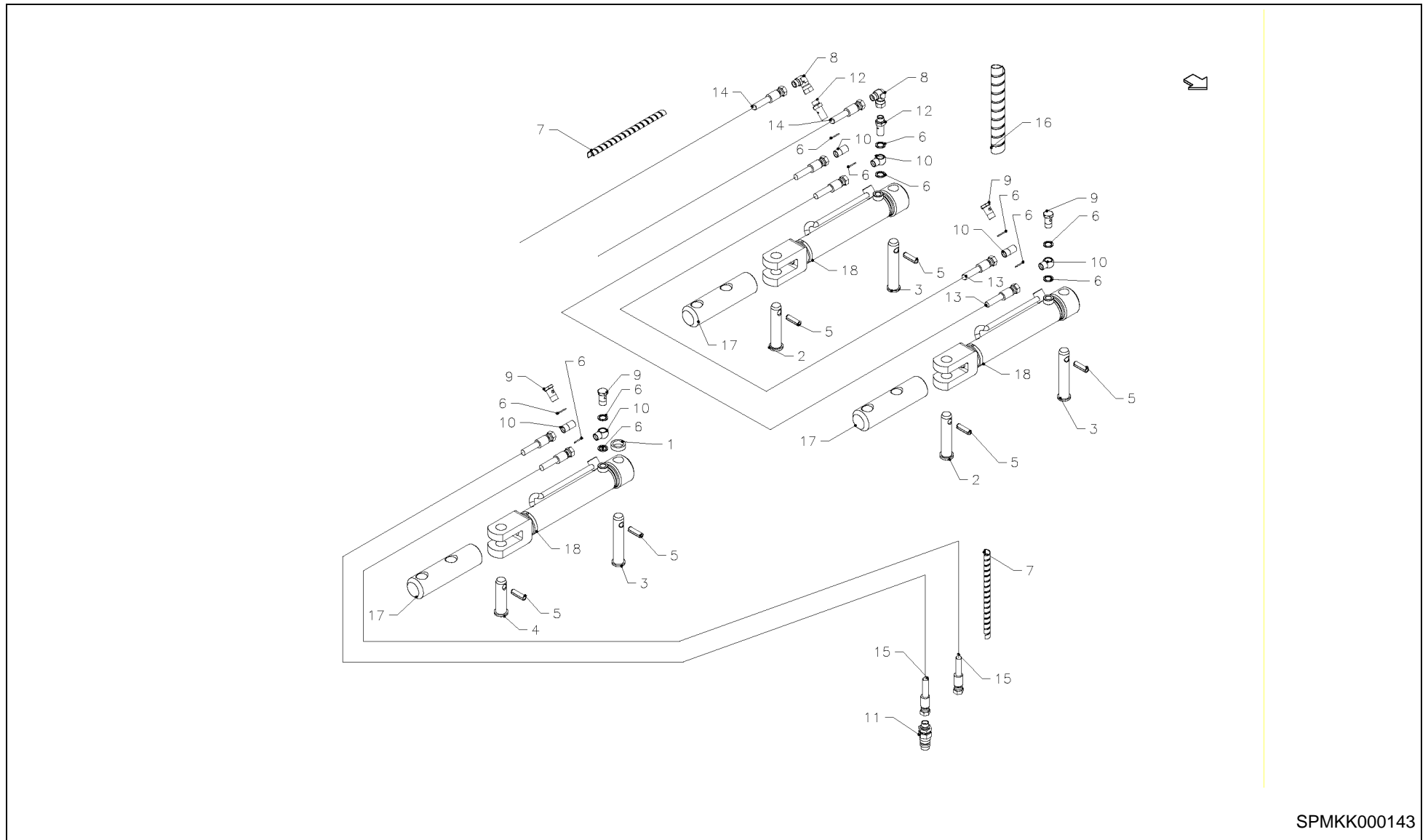


SPMKK000129

ESLS / HYDRAULICS HS-200 MEMORY SYSTEMS



PosNo.	Part No.	Qty.	Description	Remark
1	KK010149		BUSHING D35-D42.5X10	
2	KK010867		THREADED COUPLING G1/4 UTV/G3/8 UTV	
3	KK011048		ROLL PIN D12X60 GALV.	
4	KK011538		HOSE 3/8X1000 R-SV/90-SV	
5	KK011541		HOSE 3/8X700 R-SV/90-SV	
6	KK011585		SEAL RING R 3/8(INNER D17)	
7	KK011596		HOSE WRAPPER D12.5X250	
8	KK012056		90 DEG MALE-FEMALE G3/8 ADAPTOR	
9	KK012059		BANJO BOLT G3/8X31	
10	KK012062		BANJO G3/8- SHORT-H=17	
11	KK012080		COUPLING 3/8 D3.0 RESTRICTOR	
12	KK012082		BANJO BOLT 3/8X31 D1.4 RESTRICTOR	W/ RESTRICTOR WHEN SEQUENCE
12	KK012059		BANJO BOLT G3/8X31	WHEN NO SEQUENCE
13	KK012158		QUICK COUPLING 1/2-3/8 W-COUP.	
14	KK012261		COUPLING 3/8-3/8	
15	KK012269		SEAL RING R1/4(INNER D13)	
16	KK012319		COUPLING 3/8SWIVEL-3/8 OUTS.	
17	KK012520		CLAMP FOR 3X1/4-HOSE	
18	KK012548		BANJO G3/8 WITH ADJUSTABLE END	
19	KK012723		VALVE R3/8 WITH HANDLE	
20	KK012741R		MEMORY VALVE	
21	KK012743R		SEQ/ MEMORY VALVE G3/8	
22	KK012775		HOSE 1/4X2500 R-SV/R-SV	
23	KK012776		HOSE 1/4X2750 R-SV/R-SV	
24	KK012789		HOSE 1/4X900 R-SV/90-SV	
25	KK013533		PIPE SUPPORT 1/4X3-D7	
26	KK013534		PIPE SUPPORT 1/4X3-M6	
27	KK015806		NUT M6	
28	KK032330		HEX BOLT M6X30 PARTLY THREAD	
29	KK033321		COUNTERSUNK SCREW W/CR.TR M6X20	
30	KK033325		HEX BOLT M6X25 GALV.	
31	KK033516		HEX BOLT M10X16 8.8	
32	KK061943		BRACKET FOR 3 HOSES H=55	
33	KK061978		BRACKET FOR 3 HOSES H=60	
34	KK081566		FIXING BRACKET FOR HOSES HS200	
35	KK081593		BRACKET FOR HOSE SUPPORT	
36	KK085373		BOLT WITH STEP	
37	KK085374		TUBE D44XD35X60	
38	KK353664		TURNOVER CYL HS200 D80-D40X520+300	
39	KK354718		MEMORYCYL D80-D40X470+150	

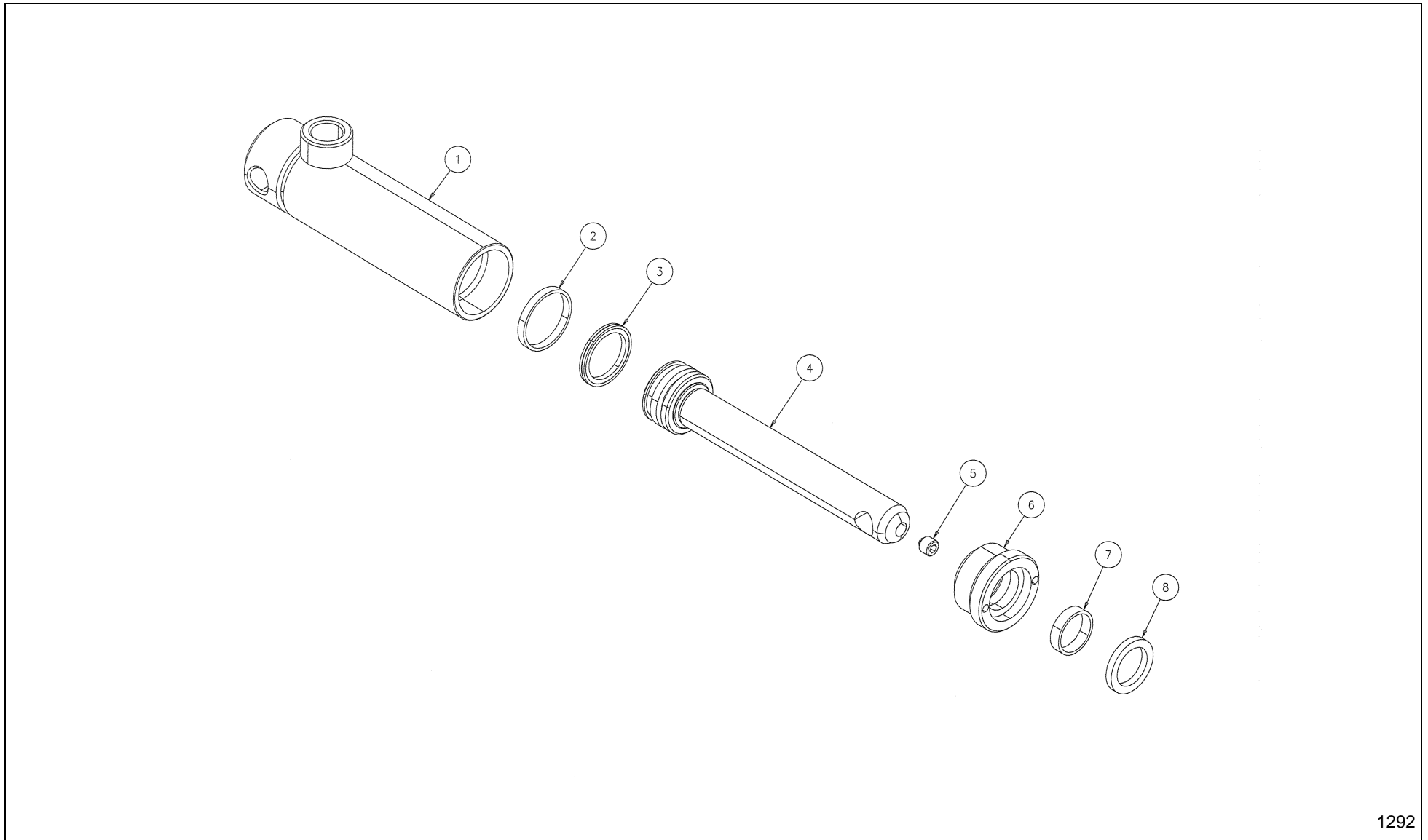


SPMKK000143

ESLS / FRONT FURROW ADJUSTMENT HS-200



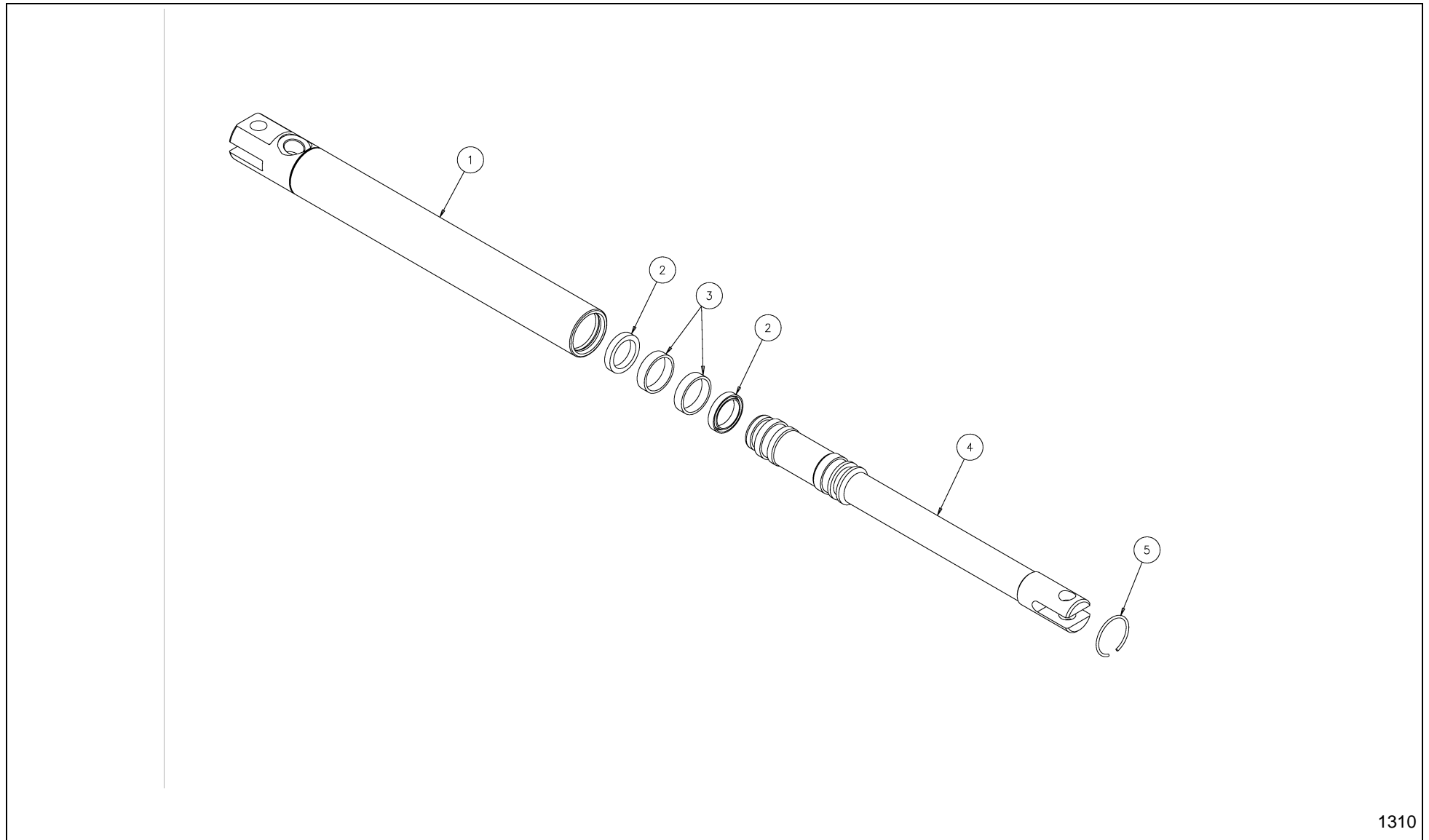
PosNo.	Part No.	Qty.	Description	Remark
1	KK010008		BUSHING D25.7-D35X10	
2	KK010318		BOLT W/HEAD D25.3X103	
3	KK010319		BOLT W/ HEAD D25.3X120	
4	KK010328		BOLT W/HEAD D25.3X78	
5	KK011020		ROLL PIN D12X40 NS5109 GALV.	
6	KK011585		SEAL RING R 3/8(INNER D17)	
7	KK011596		HOSE WRAPPER D12.5X250	
8	KK012056		90 DEG MALE-FEMALE G3/8 ADAPTOR	
9	KK012059		BANJO BOLT G3/8X31	
10	KK012062		BANJO G3/8- SHORT-H=17	
11	KK012158		QUICK COUPLING 1/2-3/8 W-COUPPL.	
12	KK012307		BANJO BOLT3/8X31 WITH 3/8OUTLET	
13	KK012670		HOSE 1/4X500 R-SV/R-SV	
14	KK012785		HOSE 1/4X2250 R-SV/R-SV	
15	KK012786		HOSE 1/4X3000 R-SV/R-SV	
16	KK013500		HOSE WRAPPER D32X250	
17	KK353609		431 HEAD FOR 1ST FURROW ADJ.CYL	
18	KK353681		CYL D50/30X400+200 HS200 1.FURROW	



ESLS / CYLINDER D32-D20X165+75 (KK354520)



PosNo.	Part No.	Qty.	Description	Remark
1	KK354587		CYLINDER TUBE	
2	KK016578		SEAL FACE SB 32-28,9-3,9	
3	KK016577		PISTON PACKING SIMCO 300	
4	KK354588		PISTON ROD	
5	KK032110		SET SCREW M8X8	
6	KK354589		END CAP	
7	KK016579		SEAL FACE SB 20-23-5,5	
8	KK011765		SCRAPER 20X28X3.5/5	
Not ill.	KK354520		CYLINDER D32/D20 X 165 + 75	
Not ill.	KK016576		SEALING KIT FOR D32-D20	

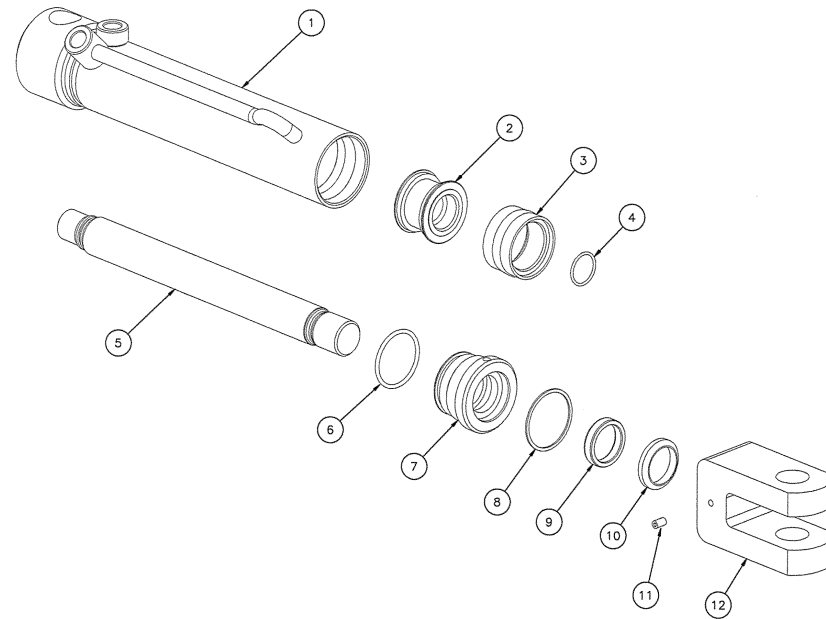


1310

ESLS / CYLINDER D40 - D32 X 510 + 215 (KK353907)



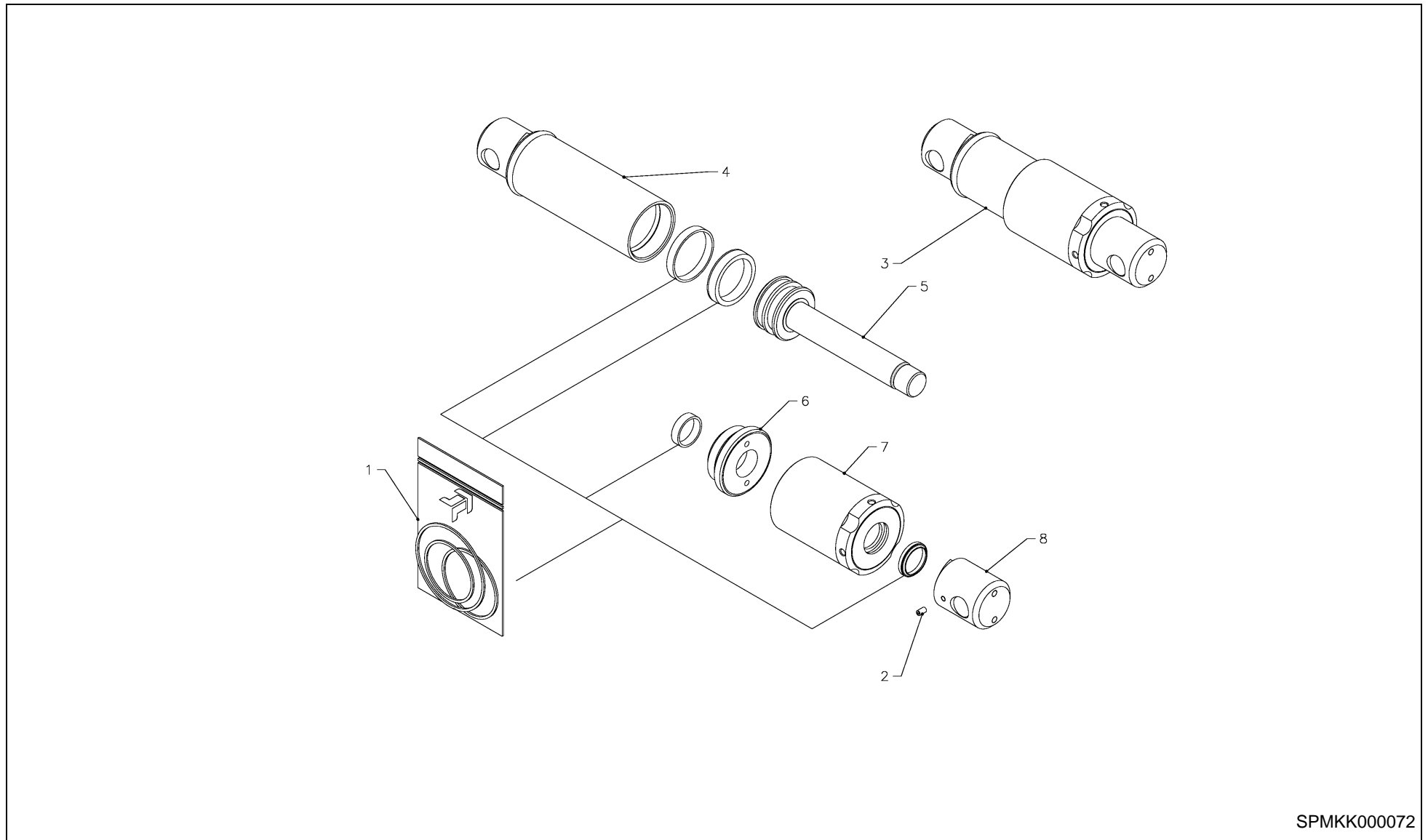
PosNo.	Part No.	Qty.	Description	Remark
1	KK353947		CYLINDER TUBE D40X215	
2	KK016587		SEALING	
3	KK016588		SEAL FACE	
4	KK353948		PISTON ROD	
5	KK016404		LOCKING RING 40X2,5 DIN 7993B	
not ill.	KK016586		PACKING SET D40	
not ill.	KK353907		CYLINDER D40-D32X510+215	



ESLS / CYLINDER D50-D30X400+200 (KK353681)



PosNo.	Part No.	Qty.	Description	Remark
1	KK353682		CYLINDER TUBE D50	
2	KK353684		PISTON D50	
3	KK013069		PISTON PACKING SIMKO320 50-38-20.5	
4	KK013070		O-RING D23X2	
5	KK353683		PISTON ROD D30	
6	KK011769		O-RING D44.5X3 NBR 70	
7	KK353685		ROD CAP D50-D30 W.SEALS	
8	KK012632		SUPPORT RING D50X45X1.3	
9	KK013068		ROD PACKING KI310 30-38-8	
10	KK011962		SCRAPER AS 30X10X5-8	
11	KK032106		THREADED PIN M6X12 W. HEX HOLE	
12	KK353676		CLEVIS D25.5 F.1ST FURROW ADJ.CYL	
Not ill.	KK013067		SEAL KIT D30-D50	
Not ill.	KK353681		CYL D50/30X400+200 HS200 1.FURROW	

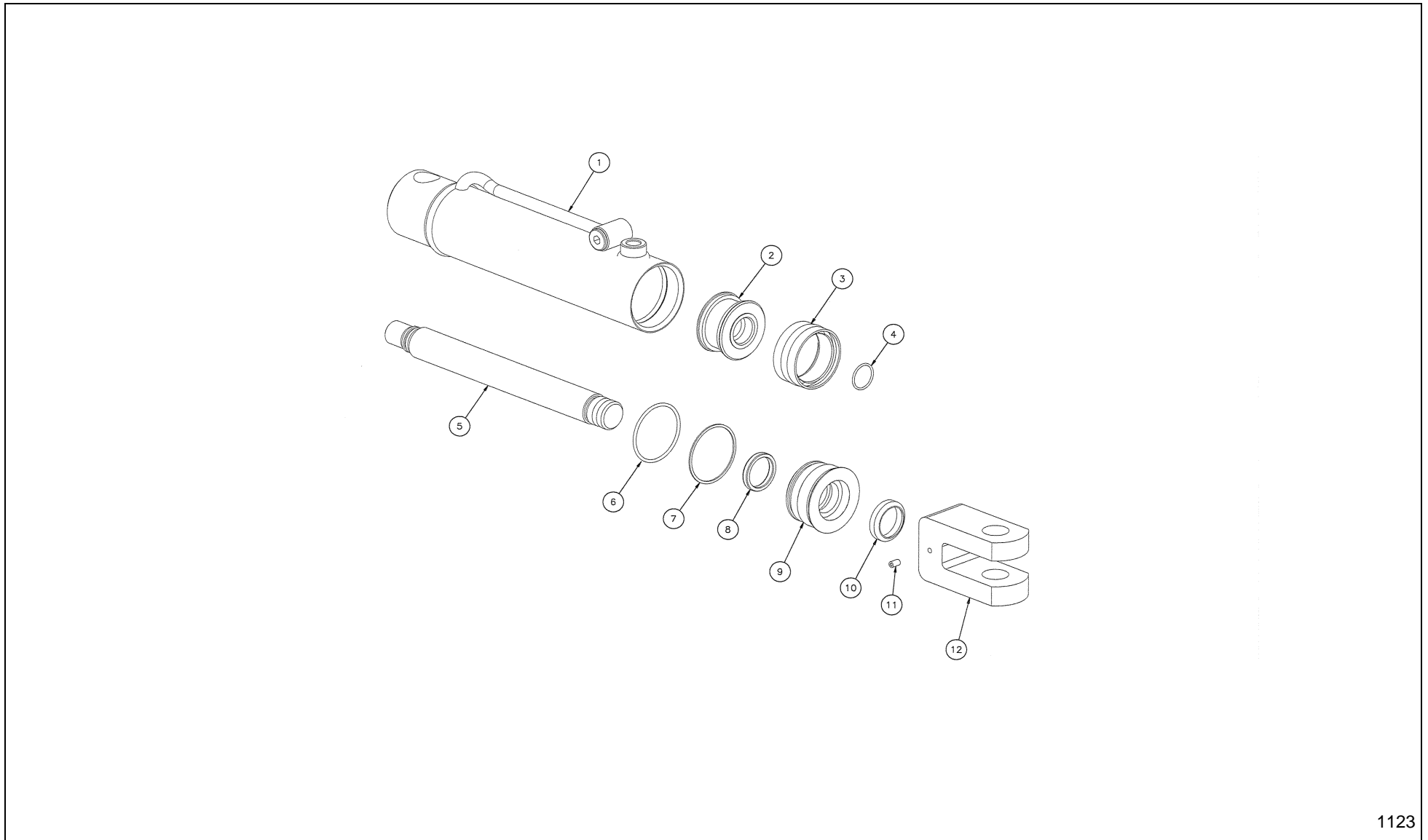


SPMKK000072

ESLS / CYLINDER D63-D32X280+120 (KK354515)



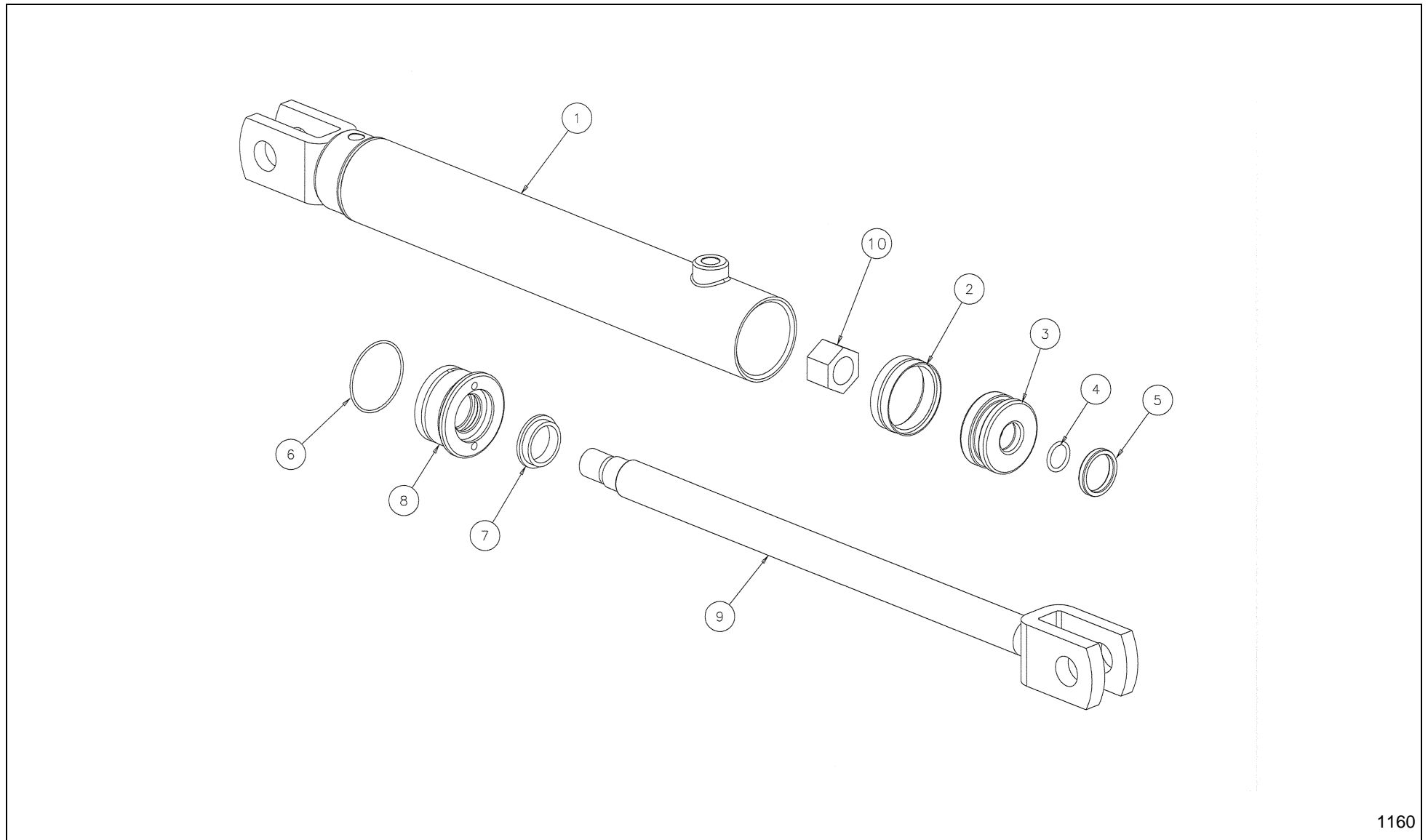
PosNo.	Part No.	Qty.	Description	Remark
1	KK013627		SEAL KIT D63-D32	
2	KK032002		SET SCREW HEX HOLE M6X10	
3	KK354515		CYL D63/D32X280+120 HYD WHEEL	
4	KK354577R		CYLINDER TUBE D63X120	
5	KK354578R		PISTON ROD W PISTON D63-D32X120	
6	KK354579R		FRONT COVER D63-D32	
7	KK354580R		ADJ SPACER NUT	
8	KK354581R		ROD END	



ESLS / CYLINDER D63-D32X400+200 (KK353680)



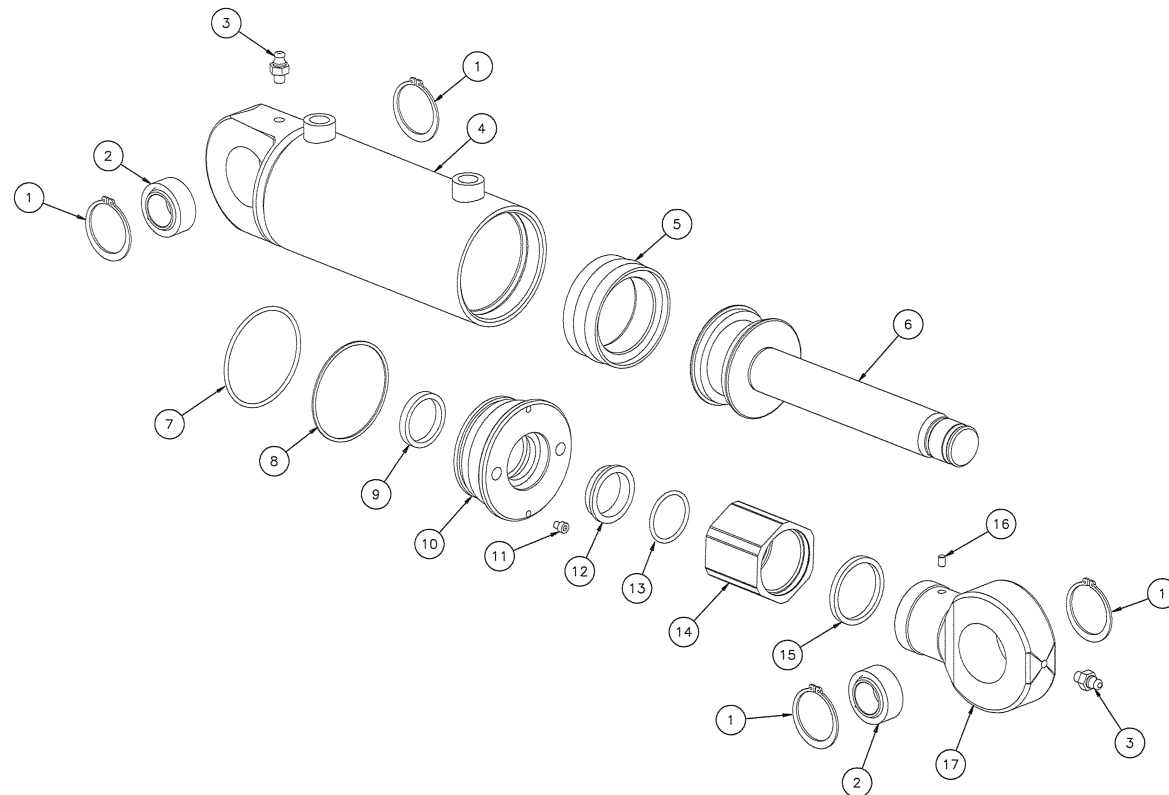
PosNo.	Part No.	Qty.	Description	Remark
1	KK353687		CYLINDER TUBE D63	
2	KK353669		PISTON D63	
3	KK012019		PISTON PACKING MDL 63/51X20.5 PLW	
4	KK013065		O-RING D24X2	
5	KK353668		PISTON ROD D32 W.CLEVIS	
6	KK011821		O-RING D52.2X3	
7	KK011873		SUPPORT RING 58X2.5X1.3	
8	KK011953		PISTON ROD PACKING 32X40X6	
9	KK353670		ROD CAP D63-D32 W.SEALS	
10	KK011913		SCRAPER SEAL 32X42X7-10	
11	KK032002		SET SCREW HEX HOLE M6X10	
12	KK353676		CLEVIS D25.5 F.1ST FURROW ADJ.CYL	
Not ill.	KK012010		SEAL KIT D32-D63	
Not ill.	KK353680		CYL D63-D32X400+200 HS300	



ESLS / CYLINDER D63-D32x670+400 (KK300803)



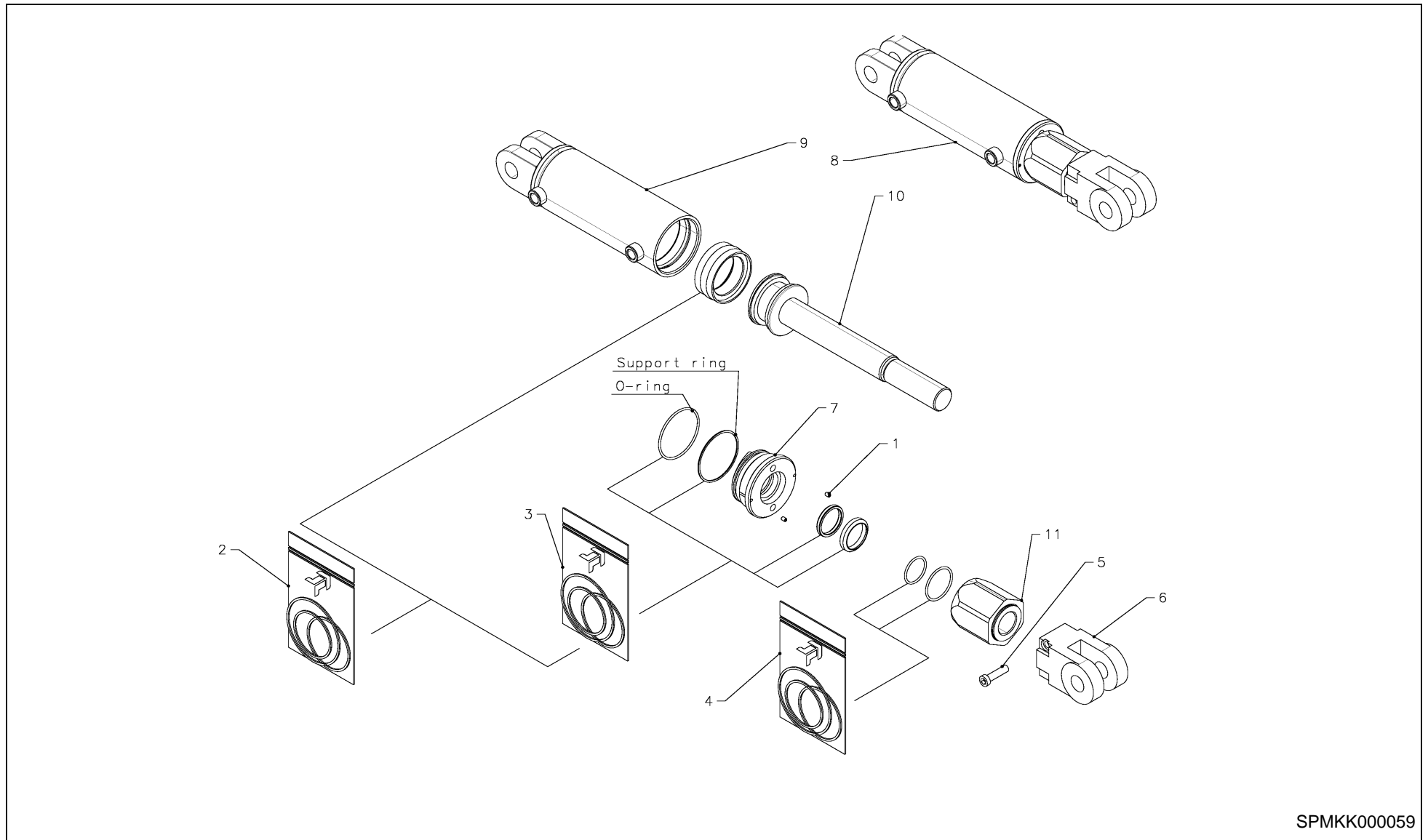
PosNo.	Part No.	Qty.	Description	Remark
1	KK308134		CYLINDER TUBE D63X400	
2	KK011916		PISTON ROD PACKING D63	
3	KK308111		PISTON D63	
4	KK011818		O-RING D24.2X3	
5	KK011953		PISTON ROD PACKING 32X40X6	
6	KK011793		O-RING D60X2	
7	KK011910		SCRAPER 32X45X7-10	
8	KK308110		FRONT COVER D63	
9	KK308132		PISTON ROD D63X400	
10	KK016002		LOCK NUT M24X1.5 GALV.	
Not ill.	KK011946		SEAL KIT D63	
Not ill.	KK300803		CYLINDER D63-D32X670+400	



ESLS / CYLINDER D80-D35X355+130



PosNo.	Part No.	Qty.	Description	Remark
1	KK011276		CIRCLIP I 47X1.75 NS 5144	
2	KK010509		SPHERICAL-BEARING GE 35 DO	
3	KK029918		GREASE NIPPLE M6	
4	KK353642		CYLINDER TUBE D80	
5	KK011918		PISTON ROD PACKING D60-D80X22.4	
6	KK353644		ROD W.PISTON D40-D80	
7	KK011824		O-RING D74.5X3	
8	KK011876		SUPPORT RING 75X2.5X1.3	
9	KK016523		PISTON ROD PACKING KI310 35-43-6	
10	KK353643		END CAP D80-D35 W.SEALS	
11	KK032007		SET SCREW M5X6 HEX HOLE	
12	KK016522		SCRAPER AS 35X45X7-10	
13	KK011737		O-RING D35X3 70 SHORE	
14	KK353646		ADJUSTMENT NUT-SPACER	
15	KK353689		SCRAPERRING D35 ON ADJUSTABL.STOP	
16	KK032001		SET SCREW HEX HOLE M6X6	
17	KK353645		ROD HEAD FOR D35 SPHERICAL BEARING	
Not ill.	KK013083		SEAL KIT D35-D80	
Not ill.	KK353632		TURNING CYLINDER D80-D35X355+130	

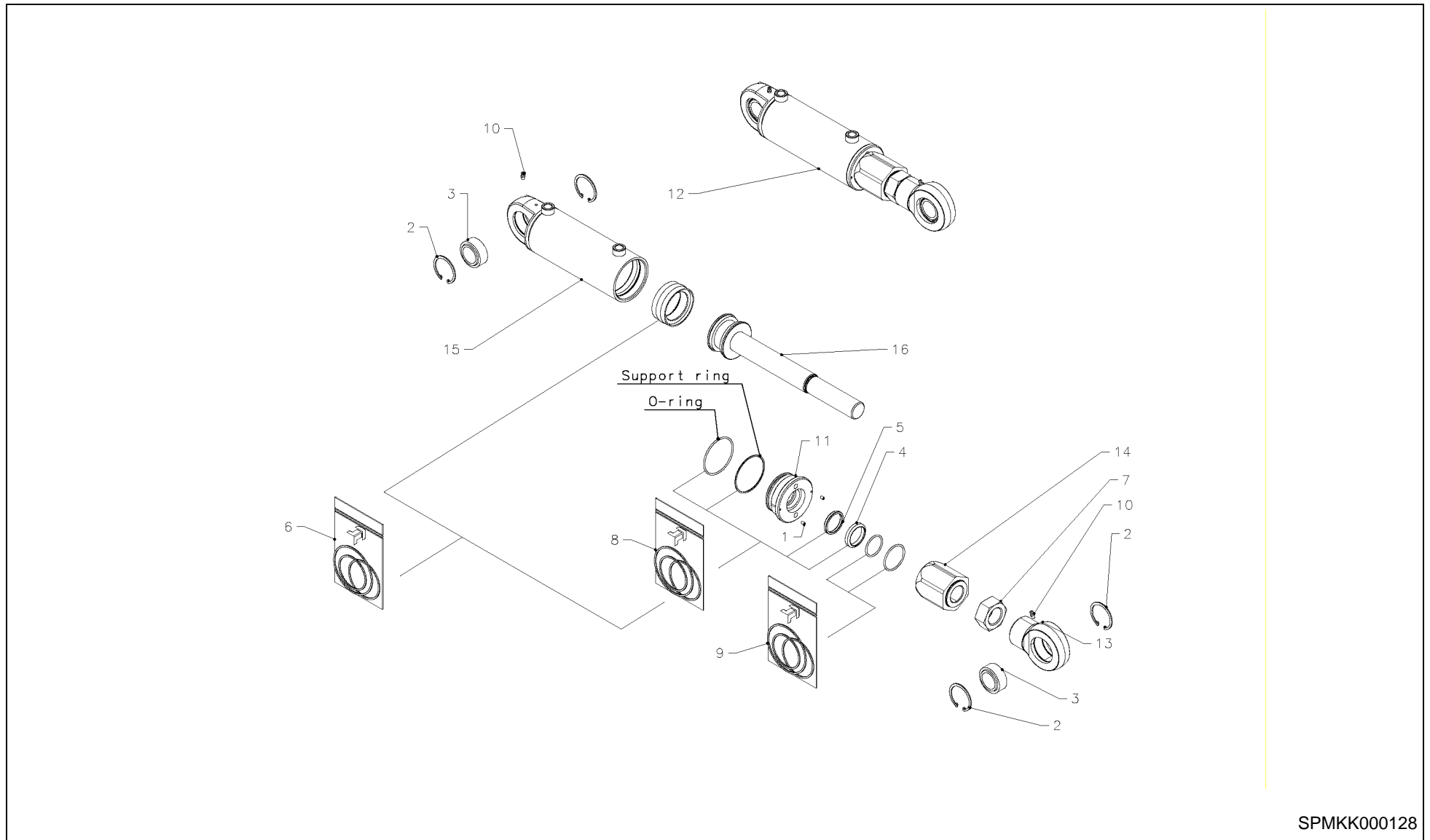


SPMKK000059

ESLS / CYLINDER D80-D40X470+150 (KK354709)



PosNo.	Part No.	Qty.	Description	Remark
1	KG00933400		SET SCREW M5X8 45H	
2	KK013066		SEAL KIT D40-D80	
3	KK016598		SEALKIT FOR FRONT COVER D80-D40	
4	KK016599		SEALKIT FOR STOP NUT	
5	KK032040		CHEESE HEAD SCREW W.INNER HEX M10X40	
6	KK353585		CLEVIS D25.4	
7	KK353675R		FRONT COVER D80-D40	
8	KK354709		CYLINDER D80-D40X470+150	
9	KK354754R		CYLINDER TUBE D80X150	
10	KK354755		PISTON ROD W PISTON D80-D40X150	
11	KK354762		STOP CPL M36X2	



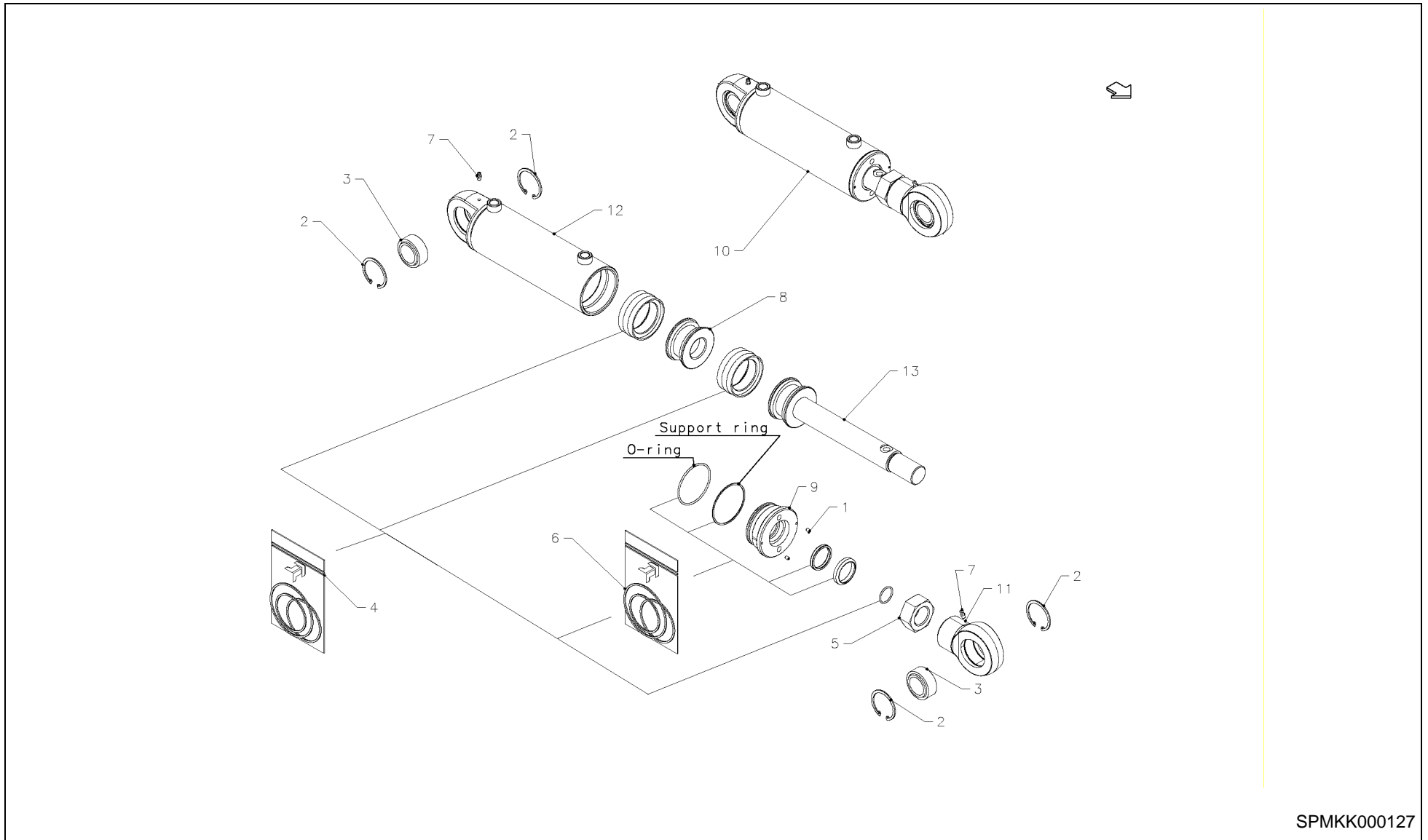
SPMKK000128

ESLS / CYLINDER D80-D40X470+150 (KK354719)



PosNo.	Part No.	Qty.	Description	Remark
1	KG00933400		SET SCREW M5X8 45H	
2	KG01129300		CIRCLIP-B 55 X 2	
3	KK011223R		SPHERICAL BEARING GE 35 DO	
4	KK011912		SCRAPER AS 40X50X7-10	
5	KK011951		PISTON ROD PACKING 40X48X6	
6	KK013066		SEAL KIT D40-D80	
7	KK016063R		HEX. NUT M36X2 H25	
8	KK016598		SEALKIT FOR FRONT COVER D80-D40	
9	KK016599		SEALKIT FOR STOP NUT	
10	KK029918		GREASE NIPPLE M6	
11	KK353675R		FRONT COVER D80-D40	
12	KK354719		CYL D80-D40X470+150	
13	KK354751R		BEARING HOUSING	
14	KK354762		STOP CPL M36X2	
15	KK354797R		CYL TUBE D80X150	
16	KK354798R		PISTON ROD W PISTON D80-D40X150	

ESLS / MEMORY CYLINDER D80-D40x470+150 (KK354718)

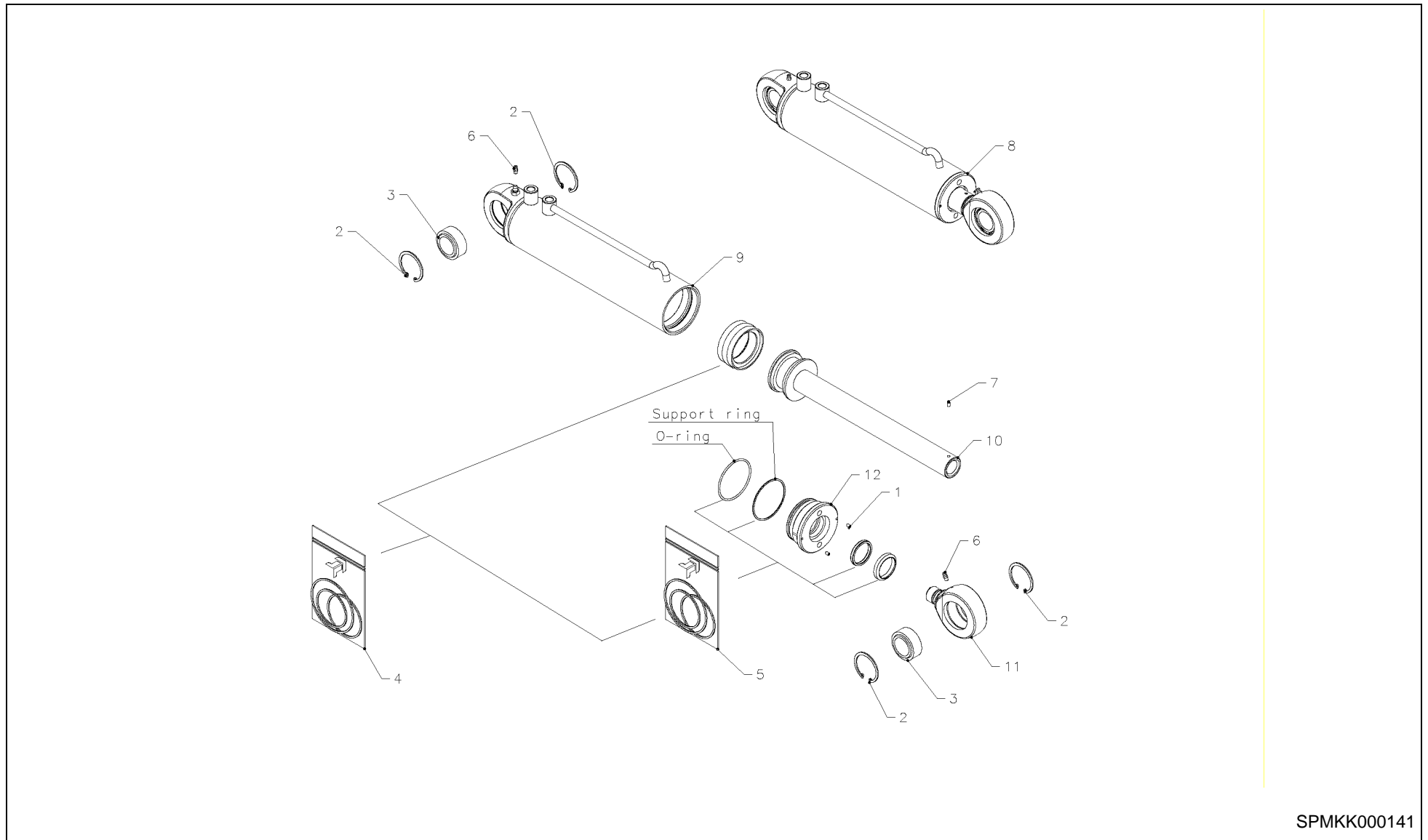


SPMKK000127

ESLS / MEMORY CYLINDER D80-D40x470+150 (KK354718)



PosNo.	Part No.	Qty.	Description	Remark
1	KG00933400		SET SCREW M5X8 45H	
2	KG01129300		CIRCLIP-B 55 X 2	
3	KK011223R		SPHERICAL BEARING GE 35 DO	
4	KK013082		SEAL KIT D40-D80	
5	KK016063R		HEX. NUT M36X2 H25	
6	KK016598		SEALKIT FOR FRONT COVER D80-D40	
7	KK029918		GREASE NIPPLE M6	
8	KK353641R		MEMORY PISTON D80	
9	KK353675R		FRONT COVER D80-D40	
10	KK354718		MEMORYCYL D80-D40X470+150	
11	KK354751R		BEARING HOUSING	
12	KK354793R		CYL TUBE D80X150	
13	KK354794R		PISTON ROD W PISTON D80-D40X150	



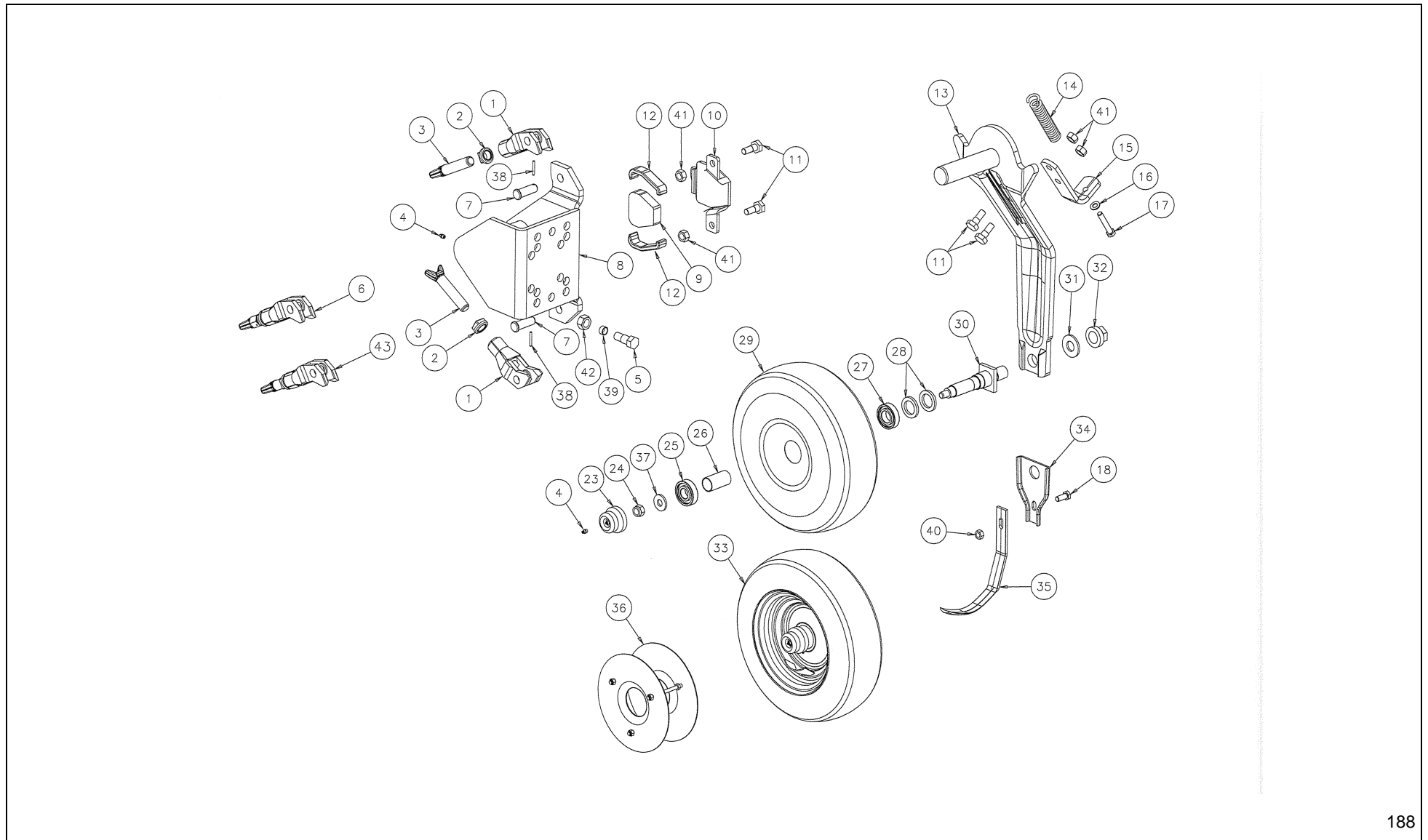
SPMKK000141

ESLS / CYLINDER D80-D40X520+300 (KK353664)



PosNo.	Part No.	Qty.	Description	Remark
1	KG00933400		SET SCREW M5X8 45H	
2	KG01129300		CIRCLIP-B 55 X 2	
3	KK011223		SPHERICAL BEARING GE 35 DO	
4	KK013066		SEAL KIT D40-D80	
5	KK016598		SEALKIT FOR FRONT COVER D80-D40	
6	KK029918		GREASE NIPPLE M6	
7	KK032001		SET SCREW HEX HOLE M6X6	
8	KK353664		TURNOVER CYL HS200 D80-D40X520+300	
9	KK353671R		SYL.RÃ#R KPL. Ã#95/80	
10	KK353672R		STEMPELST. M/STEMPEL	
11	KK353673R		ROD HEAD WITHOUT SPHERICAL BEARING	
12	KK353675R		FRONT COVER D80-D40	

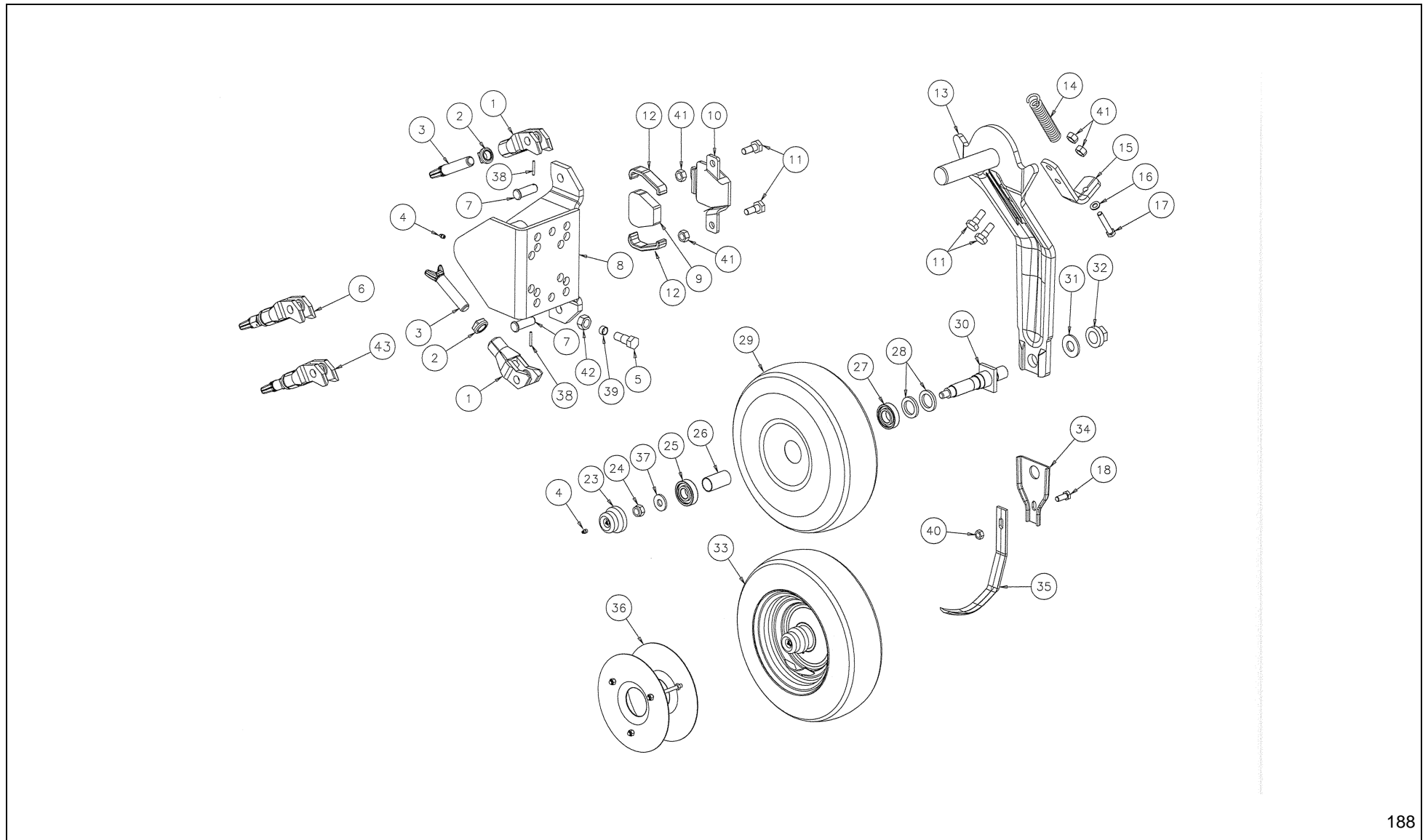
ESLS / DEPTH WHEEL WITH PLATE ARM



ESLS / DEPTH WHEEL WITH PLATE ARM

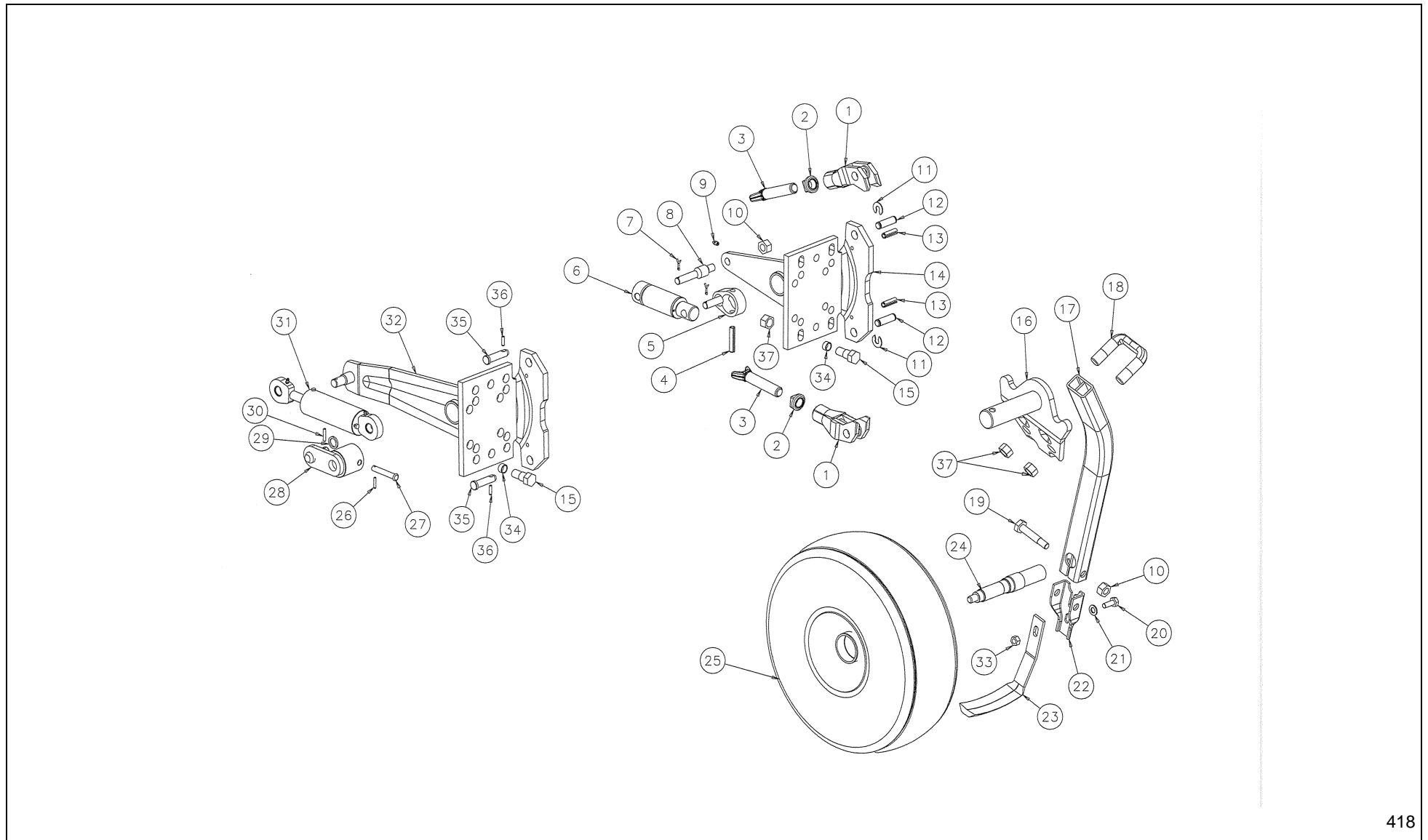
PosNo.	Part No.	Qty.	Description	Remark
1	KK088062		STOP FOR DEPTH WHEEL M24	
2	KK061899		COUNTER NUT M24	
3	KK088063		IMPACT BOLT DEPTH WHEEL M24	
4	KK029920		GREASE NIPPLE M8X1 STRAIGHT	
5	KK032750		HEX BOLT M16X50 10.9	(Before 01.06.99)
5	KK032850		HEX BOLT M20X50 10.9	(From 01.06.99)
6	KK064206		CLEVIS CPL. COMPETITION M24	
7	KK010260		BOLT W/HEAD D20 X 53.5 HOLE D5	
8	KK084602R		WHEEL HOLDER	
9	KK064087R		ABSORBER	
10	KK064078		BRACKET FOR DAMPER PIECE	
11	KK032740		HEX BOLT M16X40 10.9	
12	KK064086		GUARD DAMPER PIECE	
13	KK064055		DEPTH WHEEL ARM	
13	KK074055		DEPTH WHEEL ARM E-F-LA H800	
14	KK064089R		SPRING	
15	KK064088		SPRING RETAINER FOR DEPTH WHEEL	
16	KK012919		WASHER D13.0XD24.0X2.50	
17	KK033670		HEX BOLT M12X70 FULL THREAD	
18	KK031530		BOLT	
23	KK011167		GREASE HEAD 62 MM M.NIBBLE	
24	KK016010		NYLOC NUT M16	
25	KK011231		BALL BEARING 6305	
26	KK010096		SPACING TUBE D35/31X L=64.2	
27	KK011200		BALL BEARING 6206	
28	KK010806		PROTECTION RING	
29	KK074052		STEEL WHEEL WITH BEARING	
29	KK070459		WHEEL W/AXEL /BEARING CPL.	
30	KK074053		AXLE M30XD38X216	
31	KK012940		WASHER D25.4-D55X4.58	
32	KK016022		FLANGE NUT M30 10 KEY36	
33	KK094206		TYRE 6.00X9	
33	KK011378		RIM W/CENTRE 4.00X9	
33	KK094207		TUBE 6.00X9	
33	KK070494		WHEEL 6.00X9 W/AXLE	
34	KK071740		BRACKET FOR SCRAPER	
35	KK074054		SCRAPER STEEL WHEEL 165X500	
35	KK071729		SCRAPER RUBBER WHEEL	
36	KK011400		COVER KIT FOR 600X9	
37	KK012922		WASHER D17-D40X4.58	

ESLS / DEPTH WHEEL WITH PLATE ARM



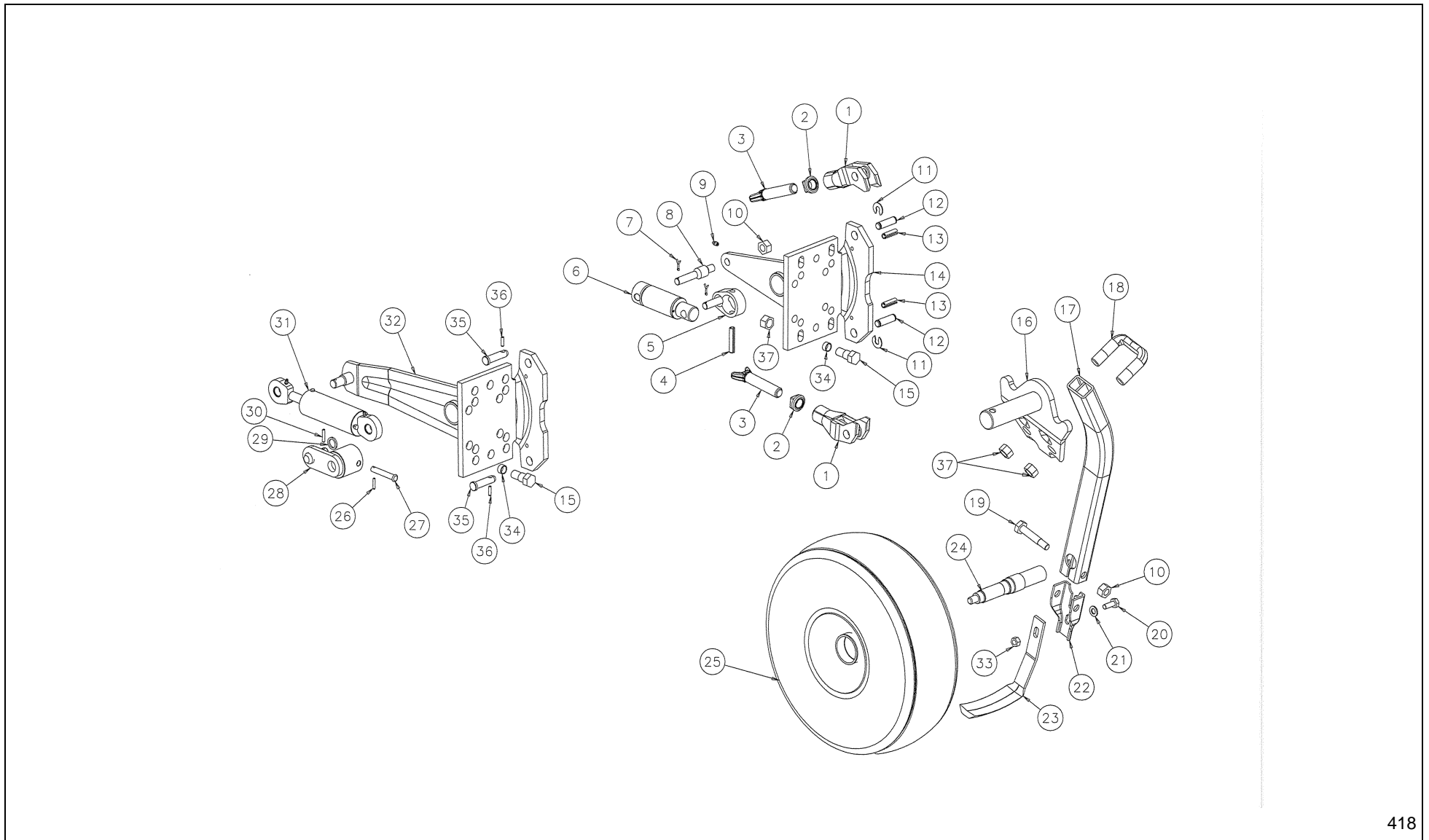
ESLS / DEPTH WHEEL WITH PLATE ARM

PosNo.	Part No.	Qty.	Description	Remark
38	KK011002		ROLL PIN D5X36 GALV.	
39	KK011636		SLIDE BEARING D16.25-D20X10	(From 01.06.99)
40	KK015817		NUT M12 GALV.	
41	KK015825		NUT M16	
42	KK015830		NUT M20	
43	KK088064		CLEVIS CPL. M24	
Not ill.	KK060449		DEPTH WHEEL, STEEL 500 X 165 CPL.	(Before 01.06.99)
Not ill.	KK074790		DEPTH WHEEL, STEEL 500 X 165 FOR BEAM H = 700 MM C	(From 01.06.99)
Not ill.	KK074791		DEPTH WHEEL, STEEL 500 X 165 FOR BEAM H = 800 MM C	(From 01.06.99)
Not ill.	KK060469		DEPTH WHEEL, RUBBER 6.00 X 9 CPL.	(Before 01.06.99)
Not ill.	KK074794		DEPTH WHEEL, 6.00 X 9 FOR BEAM H = 700 MM CPL.	(From 01.06.99)
Not ill.	KK074795		DEPTH WHEEL, 6.00 X 9 FOR BEAM H = 800 MM CPL.	(From 01.06.99)
Not ill.	KK074799		SCREW&BUSH.KIT 16-20MM	(From 01.06.99)



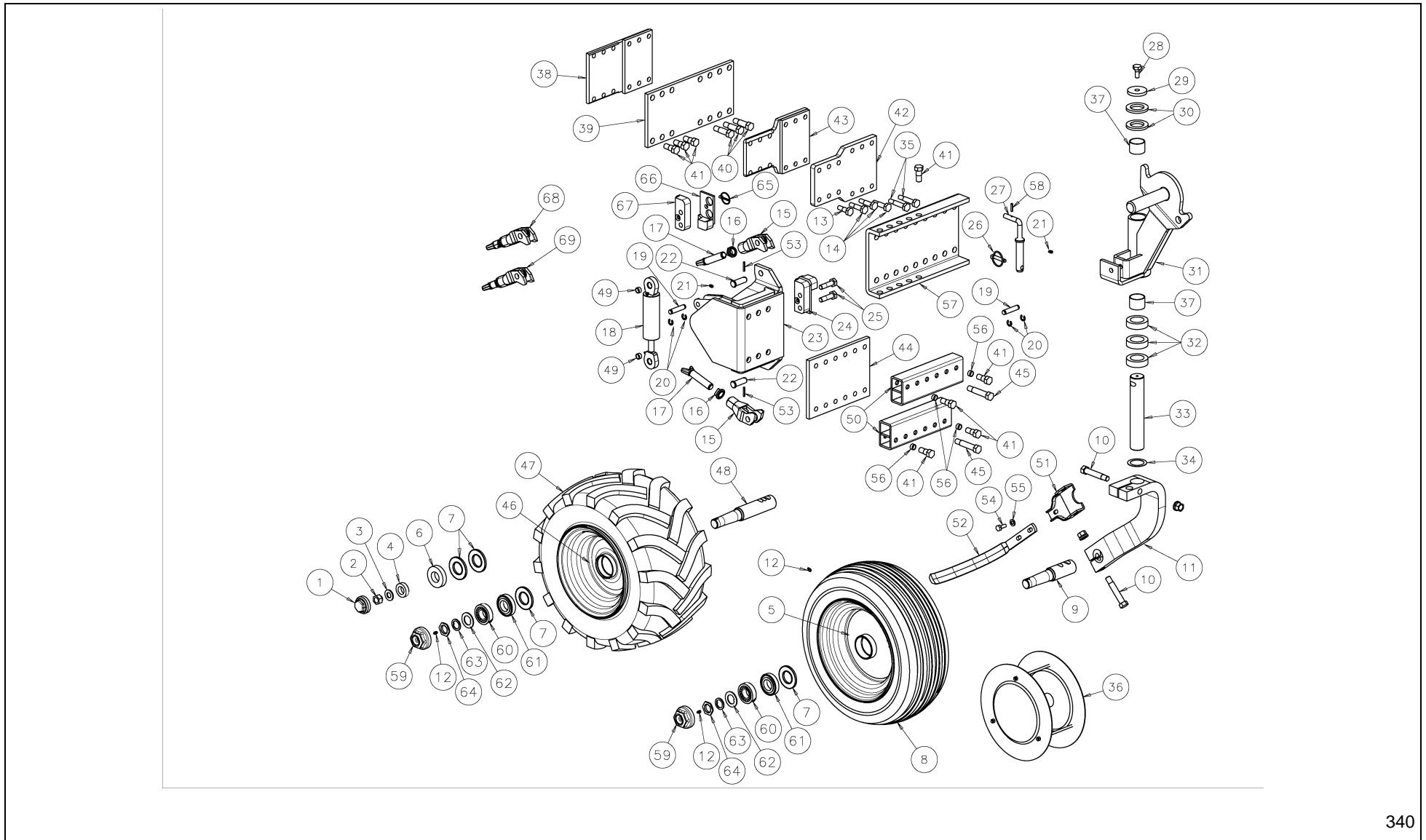
ESLS / DEPTH WHEEL LIGHT

PosNo.	Part No.	Qty.	Description	Remark
1	KK088062		STOP FOR DEPTH WHEEL M24	
2	KK061899		COUNTER NUT M24	
3	KK088063		IMPACT BOLT DEPTH WHEEL M24	
3	KK088064		CLEVIS CPL. M24	(ill. 1 - 3)
4	KK011048		ROLL PIN D12X60 GALV.	
5	KK072718		BRACKET FOR SHOCK ABSORBER D16	
6	KK353541		SHOCK ABSORBER D40-D20X145+60	(as spare part, 072810 rebuilding part will be delivered)
7	KK029715		SPILT PIN D4X25	
8	KK072717		BOLT D16 FOR SHOCK ABSORBER	
9	KK029920		GREASE NIPPLE M8X1 STRAIGHT	
10	KK015825		NUT M16	
11	KK011272		CIRCLIP 12 NS 5145	(Before 01.06.99)
12	KK010461		BOLT WITH GROOVE D16X47	(Before 01.06.99)
13	KK011020		ROLL PIN D12X40 NS5109 GALV.	(Before 01.06.99)
14	KK074695		WHEEL HOLDER REAR ES-VD	(Before 01.02.04)
14	KK084607		WHEEL HOLDER WELDED ES-VD 2004	(From 01.02.04)
15	KK032745		HEX BOLT M16X45 10.9	(Before 01.06.99)
15	KK032845		HEX BOLT M20X45 10.9	(From 01.06.99)
16	KK074623		PLATE WHEEL ARM D170 ES-VD	
17	KK072468		WHEEL ARM	
18	KK074696		U-BOLT M24-SQ61-80	
19	KK032775		HEX BOLT M16X75 10.9	(without scraper)
19	KK032785		HEX BOLT M16X85 10.9	(with scraper)
20	KK033630		HEX BOLT M12X30 GALV.	
21	KK012919		WASHER D13.0XD24.0X2.50	
22	KK072469		SCRAPER BRACKET	
23	KK074054		SCRAPER STEEL WHEEL 165X500	
23	KK071729		SCRAPER RUBBER WHEEL	
24	KK072458		AXLE FOR WHEEL D38X235	
25	KK074052		STEEL WHEEL WITH BEARING	
25	KK072455		DEPTH WHEEL 500X165 WITH AXLE	
25	KK072588		WHEEL 6.00X9 WITH AXLE	
26	KK011011		ROLL PIN D5X26 GALV.	(From 01.04.99)
27	KK072806		BOLT W/HEAD D12X67	(From 01.04.99)
28	KK072801		CRANK ARM 70	(From 01.04.99)
29	KK012931		WASHER D20.5-D28X3.4	(From 01.04.99)
30	KK011035		ROLL PIN D6X30 GALV.	(From 01.04.99)
31	KK353577		SHOCKABS.D50-D20X250+100-1.7RESTR	(From 01.04.99)
31	KK353920		SHOCKABS.D50-D20X250+100 REST 1.7	(From 01.01.01)
32	KK072809		WHEEL HOLDER REAR	(Before 01.06.99)



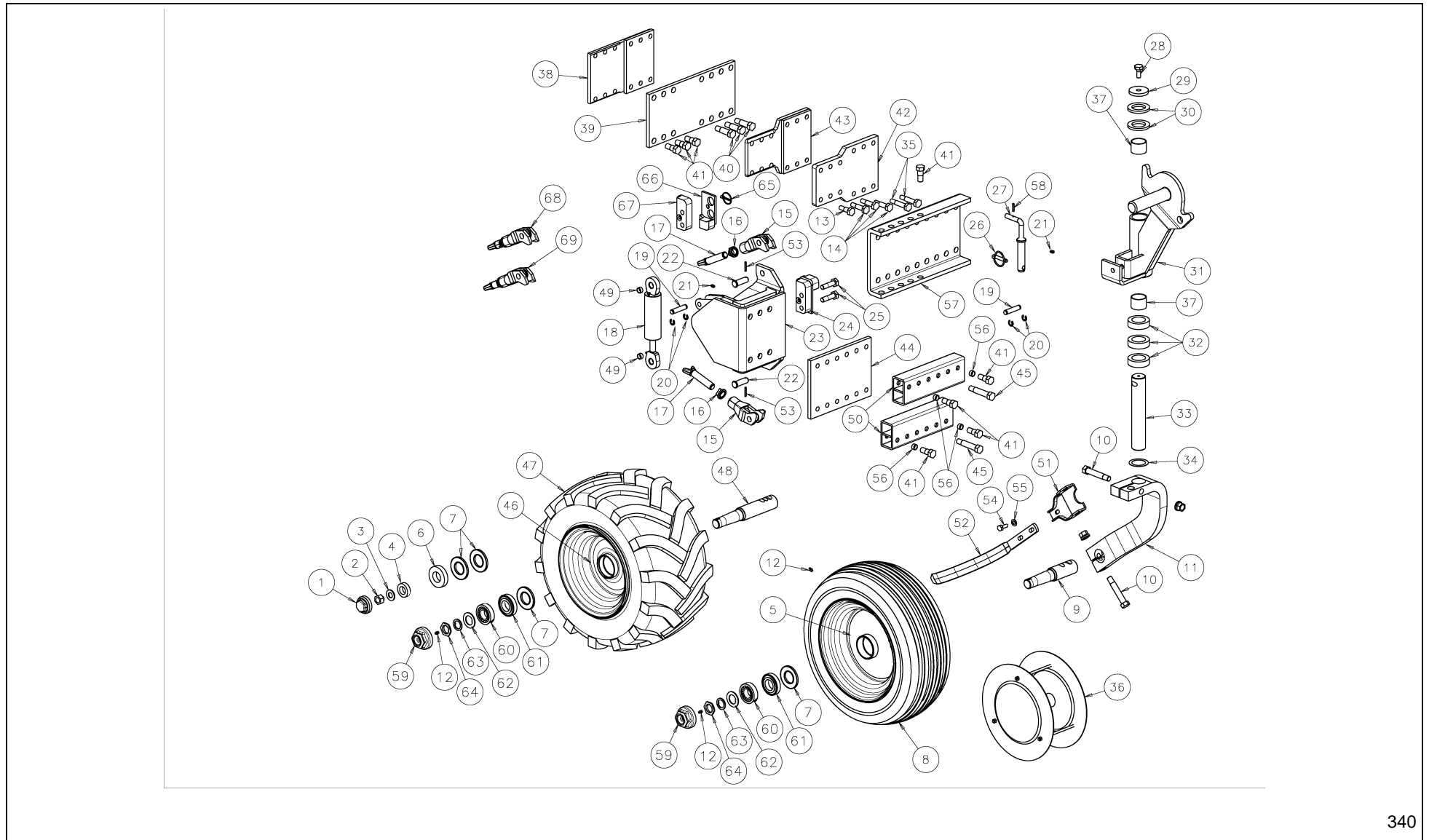
ESLS / DEPTH WHEEL LIGHT

PosNo.	Part No.	Qty.	Description	Remark
32	KK074770		WHEEL SUPPORT VD	(From 01.06.99) (Before 01.02.04)
32	KK084608		WHEEL HOLDER WELDED MOD 99 2004	(From 01.02.04)
33	KK015817		NUT M12 GALV.	
34	KK011636		SLIDE BEARING D16.25-D20X10	(From 01.06.99)
35	KK010255		BOLT W/HEAD D16X51 HOLE D6	(From 01.06.99)
36	KK011061		ROLL PIN D6X22 FORS.	(From 01.06.99)
37	KK015830		NUT M20	
Not ill.	KK072454		DEPTH WHEEL 500 X 165 W/SHOCK ABSORBER CPL.	(Before 01.06.99)
Not ill.	KK074792		DEPTH WHEEL 500 X 165 W/SHOCK ABSORBER FOR BEAM H	(From 01.06.99)
Not ill.	KK072589		DEPTH WHEEL 6.00 X 9 CPL.	(Before 01.06.99)
Not ill.	KK074793		DEPTH WHEEL 6.00 X 9 FOR BEAM H = 700 MM CPL.	(From 01.06.99)
Not ill.	KK074799		SCREW&BUSH.KIT 16-20MM	(From 01.06.99)



ESLS / DEPTH/TRANSPORT WHEEL 87

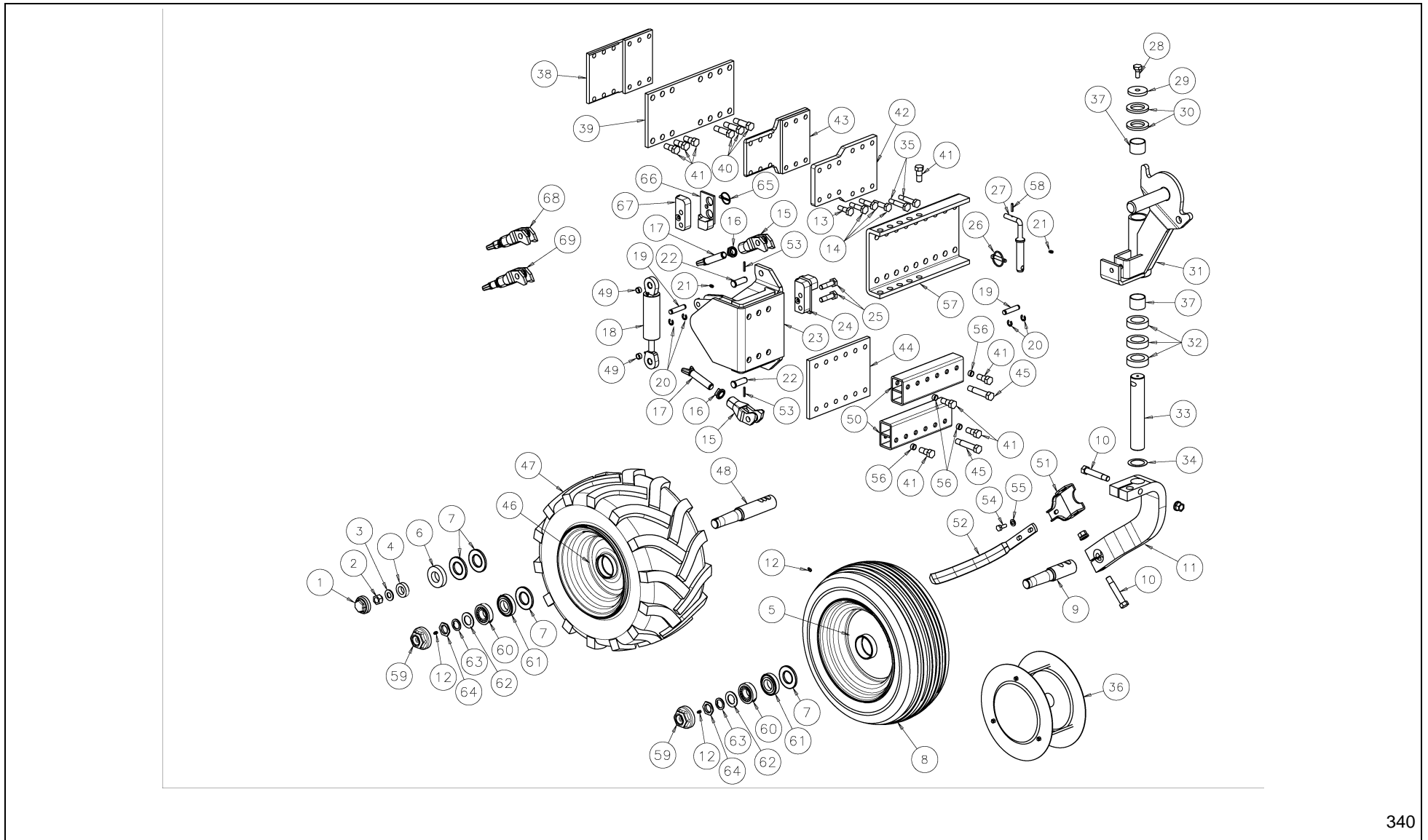
PosNo.	Part No.	Qty.	Description	Remark
1	KK011157		HUB CAP 62 MM FZB	(Before 21.05.02)
2	KK016000		LOCK NUT M20 H20 KEY30	(Before 21.05.02)
3	KK012934		WASHER D20.5-D40X3.4	(Before 21.05.02)
4	KK011200		BALL BEARING 6206	(Before 21.05.02)
5	KK011379		RIM W/CENTRE 6.75X14.5	(Before 21.05.02)
5	KK084106		RIM W HOUSIN 6.75X14.5X3.0 WO AXLE	(From 21.05.02)
6	KK010517		BALL-BEARING 6208	(Before 21.05.02)
7	KK011168		Z-LAMEL Z 209	
8	KK011303		TYRE LP 200X14.5/10-448	
8	KK011305		INNER TYRE 200-14.5 TR-15 FE	
9	KK074080		WHEEL AXEL D50X252	(Before 21.05.02)
9	KK084110		AXLE D50X238	(From 21.05.02)
10	KK035178		HEX BOLT M20X110 W/ FLANGE NUT	
11	KK074079		AXLE SUPORT	
12	KK029920		GREASE NIPPLE M8X1 STRAIGHT	
13	KK032750		HEX BOLT M16X50 10.9	(Before serial no. ES1700)
14	KK032765		HEX BOLT M16X65 10.9	(Before serial no. ES1700)
15	KK088062		STOP FOR DEPTH WHEEL M24	
16	KK061899		COUNTER NUT M24	
17	KK088063		IMPACT BOLT DEPTH WHEEL M24	
18	KK352145		SHOCK ABSORBER D50-D20X250+100	(Before 01.08.98)
18	KK353577		SHOCKABS.D50-D20X250+100-1.7RESTR	(From 01.08.98)
18	KK353920		SHOCKABS.D50-D20X250+100 REST 1.7	(From 01.01.01)
19	KK010464		AXLE D16X64 SHOCK ABSORBER	
20	KK011272		CIRCLIP 12 NS 5145	
21	KK029920		GREASE NIPPLE M8X1 STRAIGHT	
22	KK010260		BOLT W/HEAD D20 X 53.5 HOLE D5	
23	KK084610R		WHEEL HOLDER	
24	KK084640		LOCK PIECE FOR WHEEL W/ SCRAPER CPL.	
25	KK032760		HEX BOLT M16X60 10.9	
26	KK010700		PIN D12 NS 555	
27	KK074065		LOCK-PIN COMBI WHEEL	
28	KK032735		HEX BOLT M16X35 10.9	
29	KK012924		WASHER D16.5-D70X10	
30	KK068251		WASHER D50-D80X8	
31	KK074070		WHEEL ARM W/BUSHING COMBI WHEEL	
32	KK010749		AXIAL BEARING 51210	
33	KK078608		WHEEL AXLE 60X289	
34	KK012955		WASHER D50-D70X1	
35	KK032780		HEX BOLT M16X80 10.9	(Before serial no. ES1700)



ESLS / DEPTH/TRANSPORT WHEEL 87



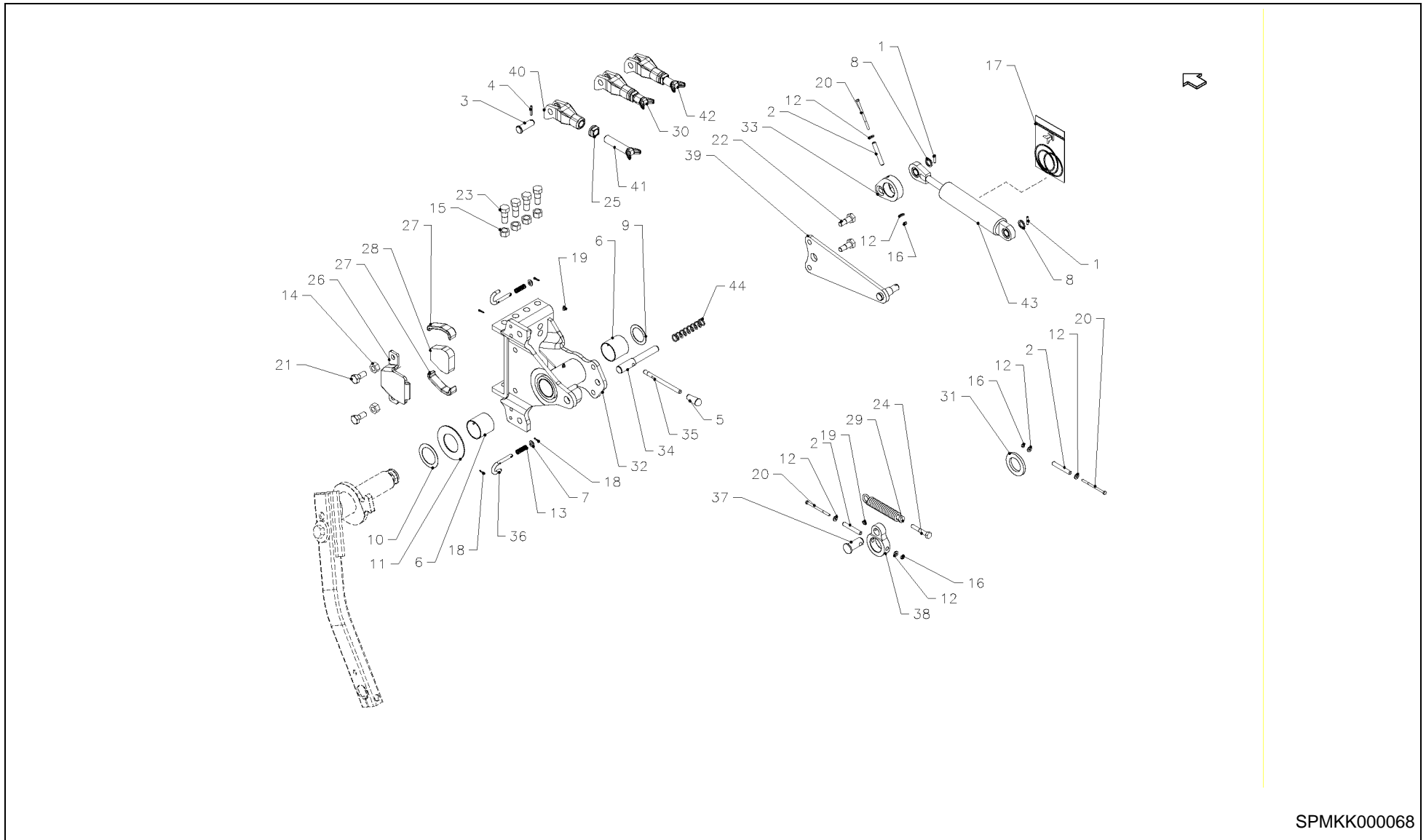
PosNo.	Part No.	Qty.	Description	Remark
36	KK011401		COVER PLATES	
37	KK011652		BUSHING D50-D55X40	
38	KK075847		PLATE DEPTH/TRANSPORT WHEEL 97 ES	(for ES only) (From serial no. ES1700)
38	KK074784		BRACKET FOR PLATE D/T WHEEL 87 ES	(for ES only) (From 01.06.99) (Before 01.11.00)
38	KK074961		PLATE F. ADITIONAL KIT LS	(for LS only) (Before 01.06.99)
38	KK074786		PLATE WELDED D/T WHEEL 87 LS	(for LS only) (From 01.06.99)
39	KK075849		PLATE DEPTH/TRANSPORT WHEEL 97 ES	(for ES only) (From serial no. ES1700)
39	KK074785		PLATE D/T WHEEL 87 ES	(for ES only) (From 01.06.99)
39	KK074964		PLATE W/14 HOLES	(for LS only) (Before 01.06.99)
39	KK074787		PLATE D/T WHEEL 87 LS	(for LS only) (From 01.06.99) (Before 15.08.00)
40	KK032770		HEX BOLT M16X70 10.9	(From serial no.ES1700 and LS plough)
40	KK032870		HEX BOLT M20X70 10.9	(From 01.06.99)
41	KK032745		HEX BOLT M16X45 10.9	(From serial no.ES1700 and LS plough)
41	KK032845		HEX BOLT M20X45 10.9	(From 01.06.99)
42	KK075842		HJ.PL.SV.DYB/TRS.HJ. 96 ES	(Before serial no. ES1700)
43	KK075845		FESTE PL.DYB/TRS.HJ. 96 ES	(Before serial no. ES1700)
44	KK074042		PLATE COMBI WHEEL	(Replaces 068578 from 03.01.92, Serial no. LB2320, LD5916 and EG4925)
44	KK074043		EXTENSION PLATE COMBI WHEEL	(Replaces 068578 from 03.01.92, Serial no. LB2320, LD5916 and EG4925)
45	KK032760		HEX BOLT M16X60 10.9	(Before 04.01.96, Serial no. LB3311)
45	KK032702		HEX BOLT M16X110	(From 04.01.96, Serial no. LB3311)
45	KK032807		HEX BOLT M20X100 10.9	(From 01.06.99)
46	KK011419		RIM W/BEARING 9.00X12	(Before 27.05.02)
46	KK084107		RIM W HOUSING 9.00X12X3.0 WO AXLE	(From 27.05.02)
47	KK011346		TYRE 26X12-12 8 LAYER	(Before 27.05.02)
47	KK013100		RUBBER TYRE 26X12-12 10 PLY	(From 27.05.02)
47	KK011349		INNER TYRE FOR 26-12	
48	KK074093		WHEEL AXEL	(Before 27.05.02)
48	KK084111		AXLE D50X297	(From 27.05.02)
49	KK011613		BEARING D19.9X9-D25.4X8	
50	KK074042		PLATE COMBI WHEEL	(Before 01.04.96)
50	KK074690		BRACKET COMBI WHEEL	(E/F, ED, EG, LB, LD only for) (From 01.04.96)
50	KK074780		TUBE COMBI WHEEL LBLD 200X14.5	(LB and LD only for wheel 200 x 14.5) (From 01.06.99)
50	KK074043		EXTENSION PLATE COMBI WHEEL	(Before 01.04.96)
50	KK074693		BRACKET COMBI WHEEL 26X12-12	(E/F, ED, EG, LB, LD only for wheel 26 x 12-12) (From 01.04.96)
50	KK074782		TUBE COMBI WHEEL EGEDLBLD 26X12-12	(ED, EG, LB, LD only for wheel 26 x 12 - 12) (From 01.06.99)
51	KK074037		SCRAPER FOR COMBI-WHEEL 200X14.5	(for wheel 200 x 14.5)



ESLS / DEPTH/TRANSPORT WHEEL 87

PosNo.	Part No.	Qty.	Description	Remark
51	KK073991		BRACKET FOR SCRAPER	(for wheel 26 x 12 - 12)
52	KK074047		SCRAPER WHEEL 200X14.5	(for wheel 200 x 14.5)
52	KK074624		SCRAPER 26X12-12 COMBI WHEEL	(for wheel 26 x 12 - 12)
53	KK011002		ROLL PIN D5X36 GALV.	
54	KK033430		HEX BOLT M8X30 8.8	
55	KK012919		WASHER D13.0XD24.0X2.50	
56	KK011636		SLIDE BEARING D16.25-D20X10	(From 01.06.99)
57	KK081378		PLATE FOR DEPTH WHEEL EXTENTION	(for LS and LM only) (From 15.08.00)
57	KK081378		PLATE FOR DEPTH WHEEL EXTENTION	(for ES and EM only) (From 01.11.00) (For LB, LD and EG, from 18.06.01)
57	KK074753		PLATE FOR WHEEL SUPPORT LB	(for LB and LD only) (Before 18.06.01)
57	KK072240		WHEEL HOLDER	(for ED, EG, LB and LD)
58	KK011035		ROLL PIN D6X30 GALV.	
59	KK013105		HUB CAP D80 WITH NIPPLE	(From 21.05.02)
60	KK011215		ROLLER BEARING 30208	(From 21.05.02)
61	KG01799800		TAPER ROLLER BEARING 30208	(From 21.05.02)
62	KK013102		LOCK WASHER MB6	(From 21.05.02)
63	KK013104		LOCK WASHER D30-D42X3	(From 21.05.02)
64	KK013103		LOCK NUT KM6 M30 X 1.5	
65	KK010702		PIN D6 NS 555	
66	KK084645		TRANSPORT PIECE PAINTED	
67	KK084641		LOCK PIECE FOR COMBI WHEEL PAINTED	
68	KK064206		CLEVIS CPL. COMPETITION M24	
69	KK088064		CLEVIS CPL. M24	
Not ill.	KK011418		WHEEL W/AXLE 26 X 12-12	(Before 21.05.02)
Not ill.	KK084101		WHEEL 26X12-12 CPL W AXLE R	(From 27.05.02)
Not ill.	KK070493		WHEEL 200X14.5 W/AXEL	(Before 27.05.02)
Not ill.	KK084100		WHEEL 200X14.5 CPL W AXLE	(From 27.05.02)
Not ill.	KK074041		DEPTH/TRANSPORT WHEEL 26 X 12-12 CPL.	(Before 01.06.99)
Not ill.	KK074797		DEPTH/TRANSPORT WHEEL 200 X 14.5 FORBEAM H = 700/8	(From 01.06.99)
Not ill.	KK070491		DEPTH/TRANSPORT WHEEL 200 X 14.5 CPL.	(Before 01.06.99)
Not ill.	KK074796		DEPTH/TRANSPORT WHEEL 200 X 14.5 FOR BEAM H = 700/	(From 01.06.99)
Not ill.	KK011939		SEAL KIT D20-D50	
Not ill.	KK074840		SCRAPER WHEEL RUBBER 200X14.5	
Not ill.	KK074799		SCREW&BUSH.KIT 16-20MM	(From 01.06.99)

ESLS / WHEEL 99 - REAR MOUNTED



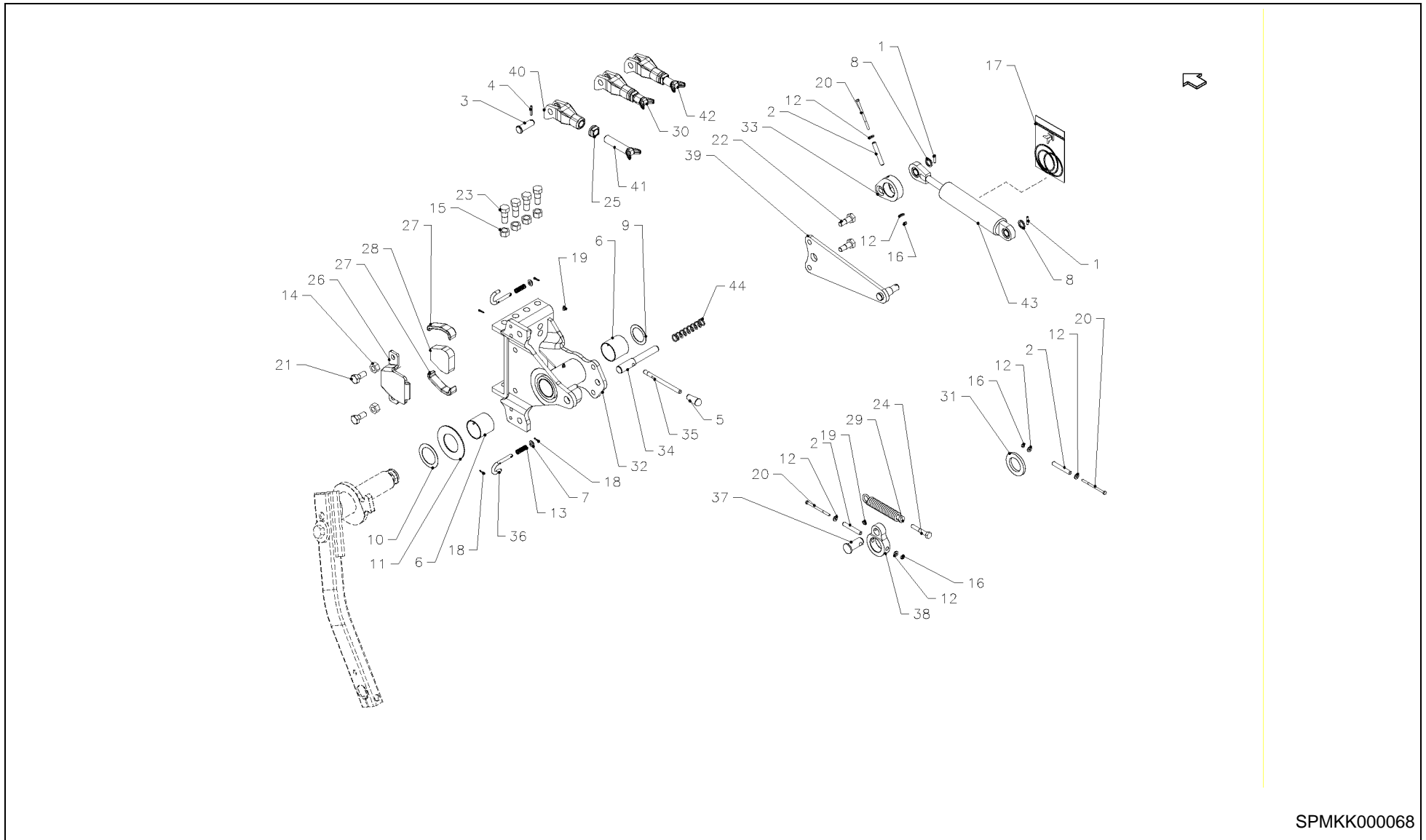
SPMKK000068

ESLS / WHEEL 99 - REAR MOUNTED



PosNo.	Part No.	Qty.	Description	Remark
1	KG01189400		TENSION PIN 6X30	
2	KG01195800		TENSION PIN 12X80	
3	KK010260		BOLT W/HEAD D20 X 53.5 HOLE D5	
4	KK011002		ROLL PIN D5X36 GALV.	
5	KK011122		CAP FOR STICK 12	
6	KK011633		SLIDE BEARING PM 6060DX GLACIER	
7	KK012916		WASHER D10.5-D21X2	
8	KK012931		WASHER D20.5-D28X3.4	
9	KK012955		WASHER D50-D70X1	
10	KK012956		WASHER D60.0XD85.0X1.00	
11	KK013004		WASHER D65-D120X3	
12	KK013017		WASHER M6	
13	KK013700		PRESS SPRING D1.5-D12.5X40	
14	KK015825		NUT M16	
15	KK015830		NUT M20	
16	KK016018		LOCK NUT M6	
17	KK016594		SEAL KIT D50-D20	
18	KK029718		SPLIT PIN D4X16	
19	KK029920		GREASE NIPPLE M8X1 STRAIGHT	
20	KK032391		HEX SCREW M6 X 90 GALV.	
21	KK032740		HEX BOLT M16X40 10.9	
22	KK032745		HEX BOLT M16X45 10.9	
23	KK032845		HEX BOLT M20X45 10.9	
24	KK033670		HEX BOLT M12X70 FULL THREAD	
25	KK061899		COUNTER NUT M24	
26	KK064079		HOLDER FOR DAMPER BLOCK	
27	KK064086		GUARD DAMPER PIECE	
28	KK064087R		ABSORBER	
29	KK064089R		SPRING	
30	KK064206		CLEVIS CPL. COMPETITION M24	
31	KK068251		WASHER D50-D80X8	
32	KK074839		WHEEL BRACKET W/SLIDEBEARING	
33	KK074867R		PIECE SCHOCK ABSORBER	
34	KK074873		STOP AXLE. D/T WHEEL	
35	KK074874R		HANDLE F. STOP AXLE DEPTH WHEEL	
36	KK074876		LOCK FOR STOPPER DEPTH TRANSPORT WHEEL	
37	KK084040		BOLT W-HEAD D25X60	
38	KK084043		CRANK FOR SPRING	
39	KK084623		BRACKET FOR SHOCK ABSORBER WELDED	
40	KK088062		STOP FOR DEPTH WHEEL M24	

ESLS / WHEEL 99 - REAR MOUNTED



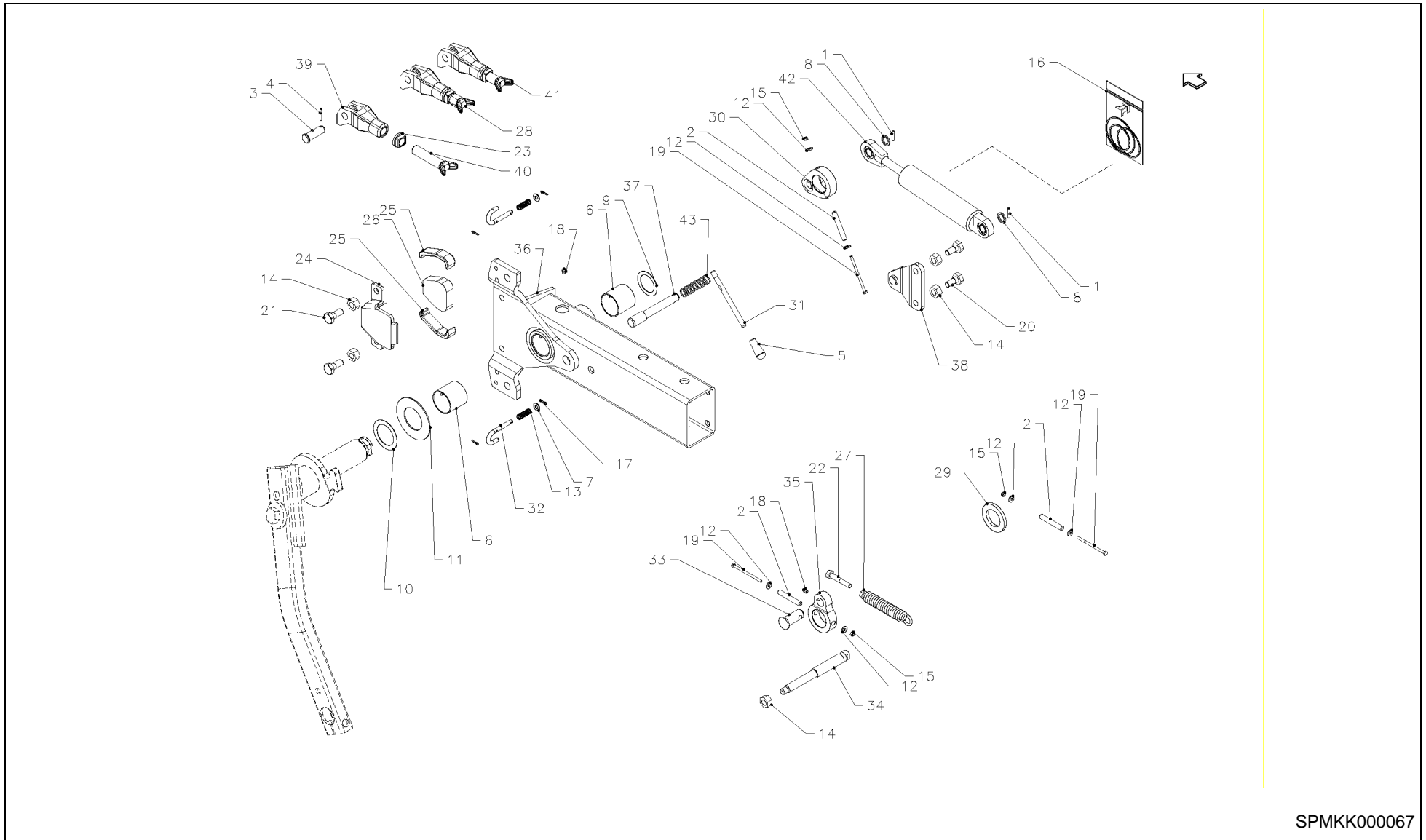
SPMKK000068

ESLS / WHEEL 99 - REAR MOUNTED



PosNo.	Part No.	Qty.	Description	Remark
41	KK088063		IMPACT BOLT DEPTH WHEEL M24	
42	KK088064		CLEVIS CPL. M24	
43	KK354511R		SHOCK ABSORBER	
44	KK356042R		PRESSURE SPRING D2.8-D23.8X125	

ESLS / WHEEL 99 - FRAME MOUNTED



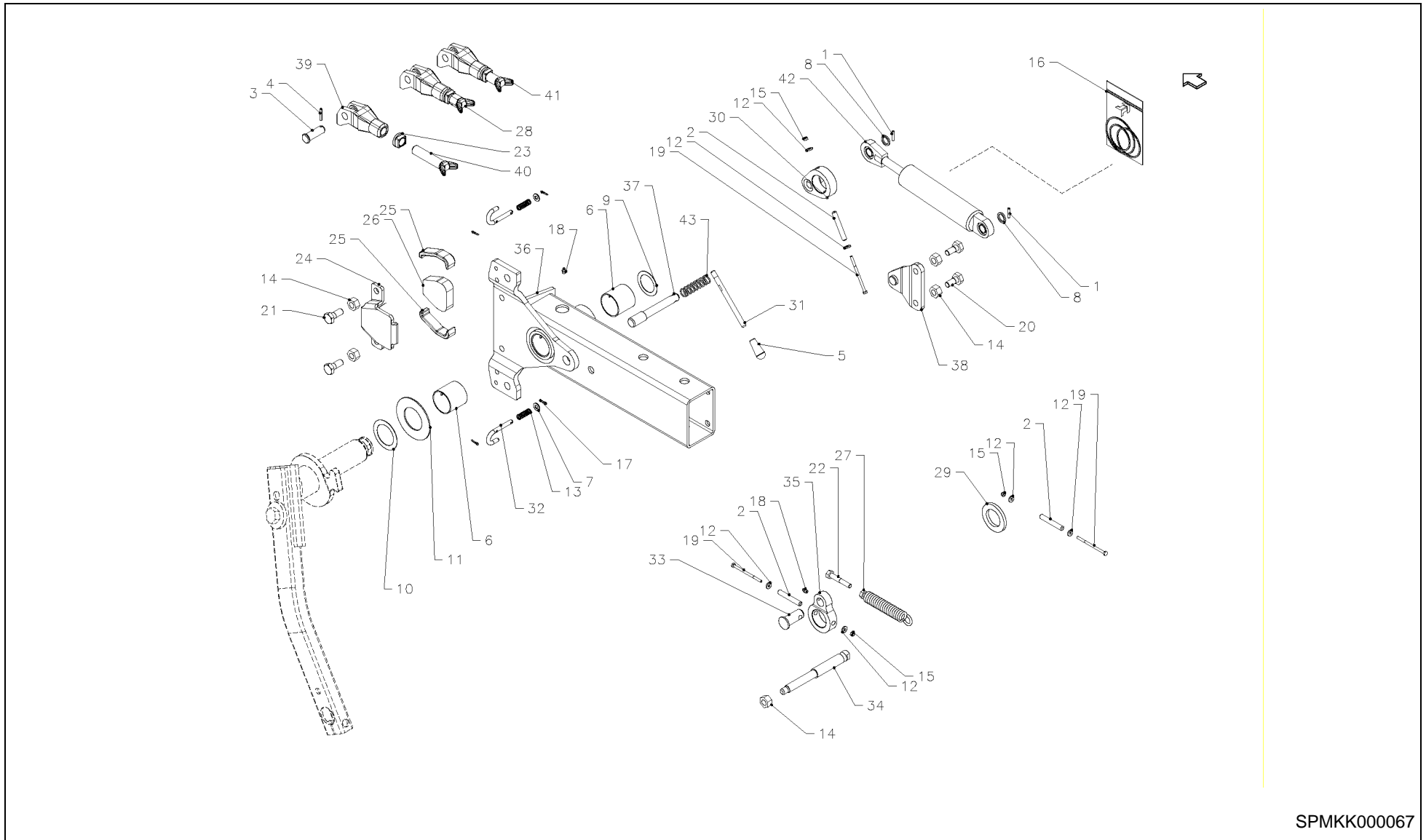
SPMKK000067

ESLS / WHEEL 99 - FRAME MOUNTED



PosNo.	Part No.	Qty.	Description	Remark
1	KG01189400		TENSION PIN 6X30	
2	KG01195800		TENSION PIN 12X80	
3	KK010260		BOLT W/HEAD D20 X 53.5 HOLE D5	
4	KK011002		ROLL PIN D5X36 GALV.	
5	KK011122		CAP FOR STICK 12	
6	KK011633		SLIDE BEARING PM 6060DX GLACIER	
7	KK012916		WASHER D10.5-D21X2	
8	KK012931		WASHER D20.5-D28X3.4	
9	KK012955		WASHER D50-D70X1	
10	KK012956		WASHER D60.0XD85.0X1.00	
11	KK013004		WASHER D65-D120X3	
12	KK013017		WASHER M6	
13	KK013700		PRESS SPRING D1.5-D12.5X40	
14	KK015825		NUT M16	
15	KK016018		LOCK NUT M6	
16	KK016594		SEAL KIT D50-D20	
17	KK029718		SPLIT PIN D4X16	
18	KK029920		GREASE NIPPLE M8X1 STRAIGHT	
19	KK032391		HEX SCREW M6 X 90 GALV.	
20	KK032735		HEX BOLT M16X35 10.9	
21	KK032740		HEX BOLT M16X40 10.9	
22	KK033670		HEX BOLT M12X70 FULL THREAD	
23	KK061899		COUNTER NUT M24	
24	KK064079		HOLDER FOR DAMPER BLOCK	
25	KK064086		GUARD DAMPER PIECE	
26	KK064087R		ABSORBER	
27	KK064089R		SPRING	
28	KK064206		CLEVIS CPL. COMPETITION M24	
29	KK068251		WASHER D50-D80X8	
30	KK074867R		PIECE SCHOCK ABSORBER	
31	KK074874R		HANDLE F. STOP AXLE DEPTH WHEEL	
32	KK074876		LOCK FOR STOPPER DEPTH TRANSPORT WHEEL	
33	KK084040		BOLT W-HEAD D25X60	
34	KK084042		PIN FOR SPRING FRAME MOUNTED WHEEL 99	
35	KK084043		CRANK FOR SPRING	
36	KK084625		WHEEL HOLDER FRAME MOUNTED	
37	KK084690		LOCK PIN	
38	KK084692		BRACKET	
39	KK088062		STOP FOR DEPTH WHEEL M24	
40	KK088063		IMPACT BOLT DEPTH WHEEL M24	

ESLS / WHEEL 99 - FRAME MOUNTED



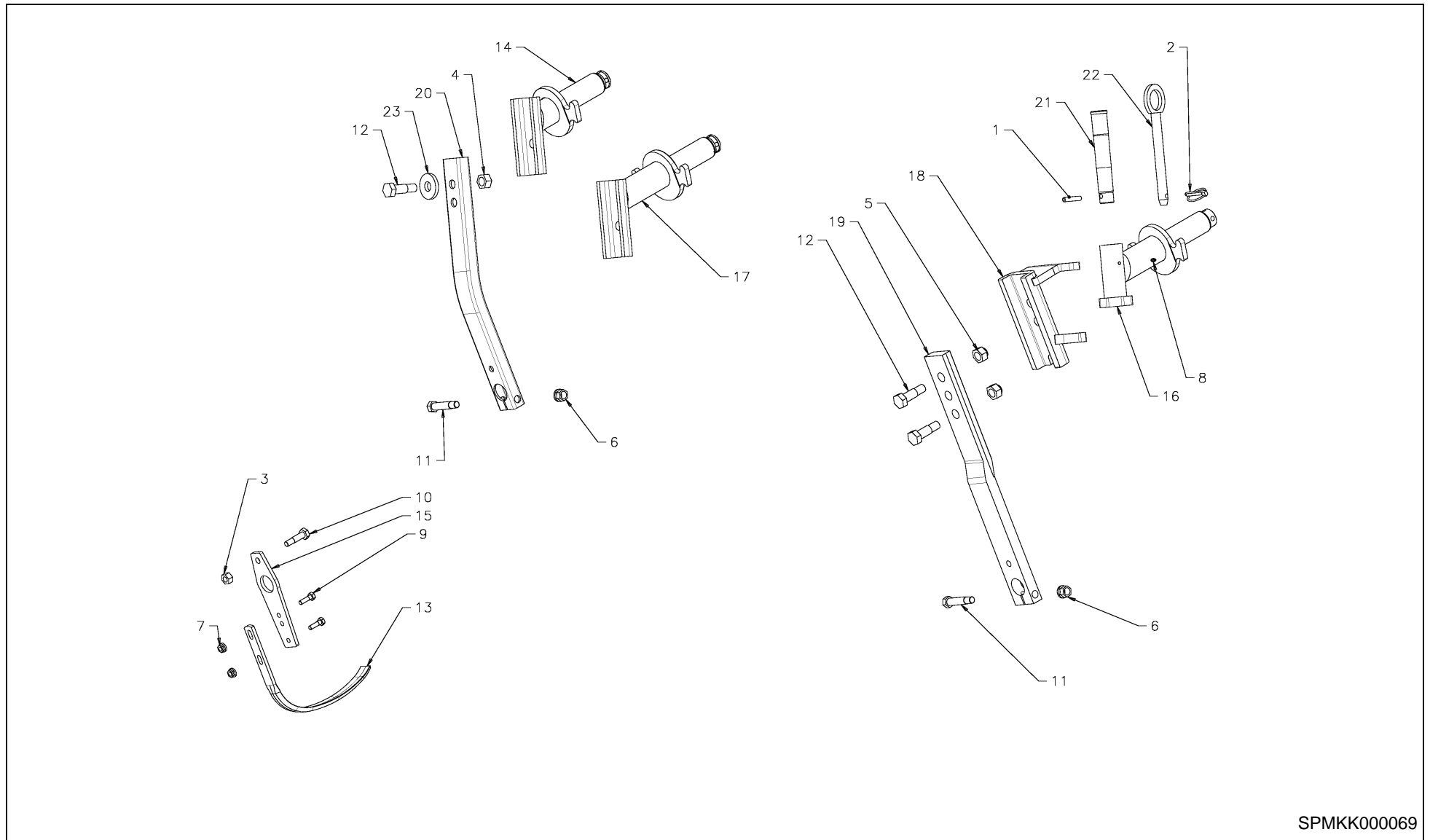
SPMKK000067

ESLS / WHEEL 99 - FRAME MOUNTED



PosNo.	Part No.	Qty.	Description	Remark
41	KK088064		CLEVIS CPL. M24	
42	KK354511R		SHOCK ABSORBER	
43	KK356042R		PRESSURE SPRING D2.8-D23.8X125	

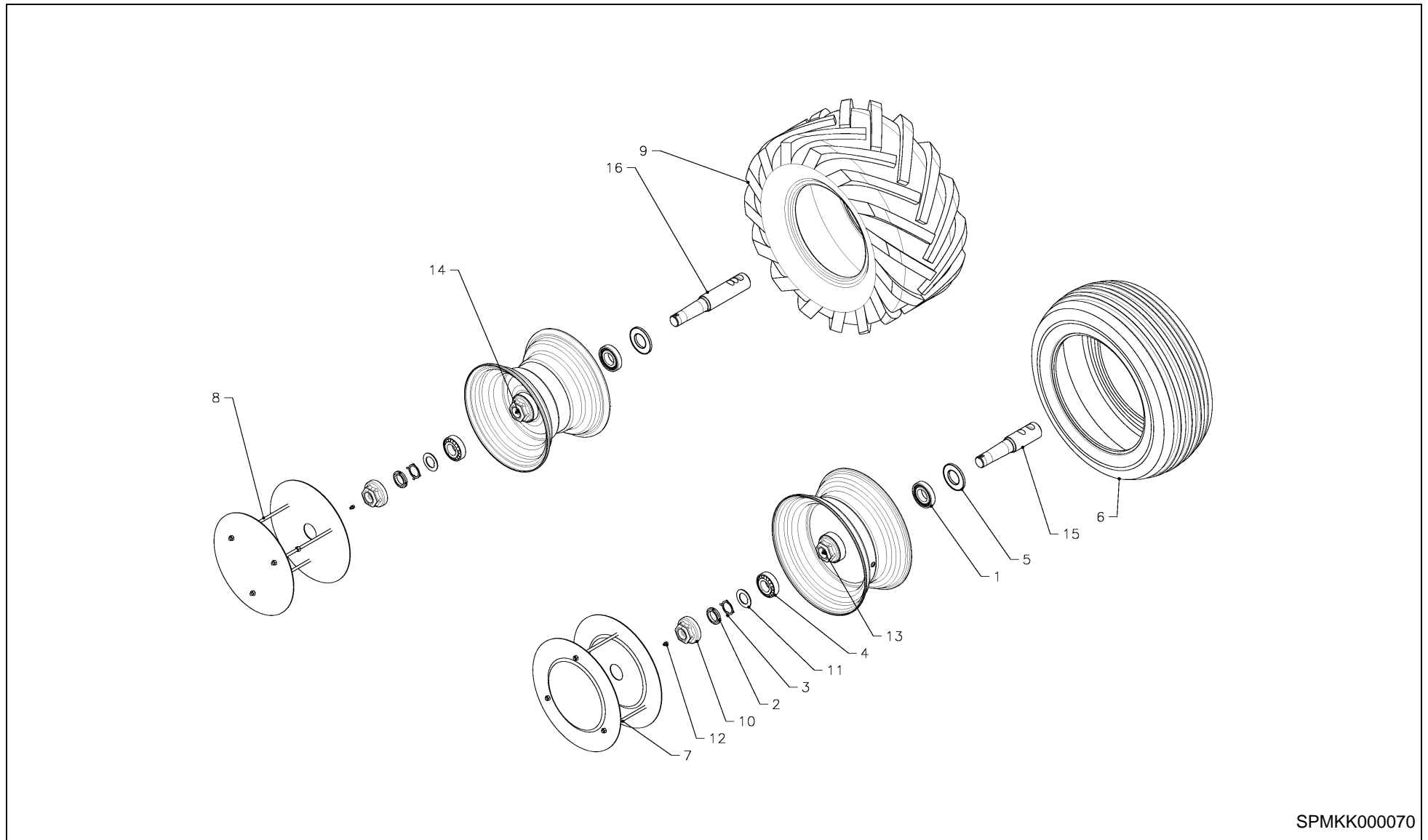
ESLS / WHEEL 99 - ARM & AXLE



SPMKK000069

ESLS / WHEEL 99 - ARM & AXLE

PosNo.	Part No.	Qty.	Description	Remark
1	KG01195600		TENSION PIN 12X60	
2	KK010700		PIN D12 NS 555	
3	KK015825		NUT M16	
4	KK015841		NUT M24 GALV.	
5	KK016001		LOCK NUT M24 10 GALV.	
6	KK016012		FLANGE NUT M20	
7	KK016038		FLANGE NUT M12	
8	KK029920		GREASE NIPPLE M8X1 STRAIGHT	
9	KK032640		HEX BOLT M12X40	
10	KK032765		HEX BOLT M16X65 10.9	
11	KK032807		HEX BOLT M20X100 10.9	
12	KK032980		HEX BOLT M24X80 S=40+3	
13	KK074624		SCRAPER 26X12-12 COMBI WHEEL	
13	KK074838		SCRAPER.200X14.5 DEPT/TRANSPORT WHEEL 99	
14	KK074841R		AXLE, SHORT W BRACKET DEPTH W 99 PAINT	FOR 200X14.5
15	KK074844		BRACKET FOR SCRAPER 2000 DEPTH/TR. WHEEL	
16	KK074856R		AXLE D/T WHEEL PAINTED	
17	KK074862R		AXLE W SUPPORT, DEP.WHEEL PAINTED	FOR 26X12-12
18	KK074864		PIECE F. WHEEL ARM DEPTH WHEEL	
19	KK074865		WHEELARM DEPTH - TRANSP WHEEL	
19	KK084670R		WHEELARM DEPTH - TRANSP WHEEL LONG	
20	KK074866R		WHEELARM FOR DEPTHWHEEL 99	
20	KK085183		WHEEL ARM, LONG	
21	KK074875		AXLE FOR CHANGE OVER PIECE	
22	KK074893		AXLE FOR SWITCH W/ FIX	
23	KK079063		WASHER D26.5-D70X10	

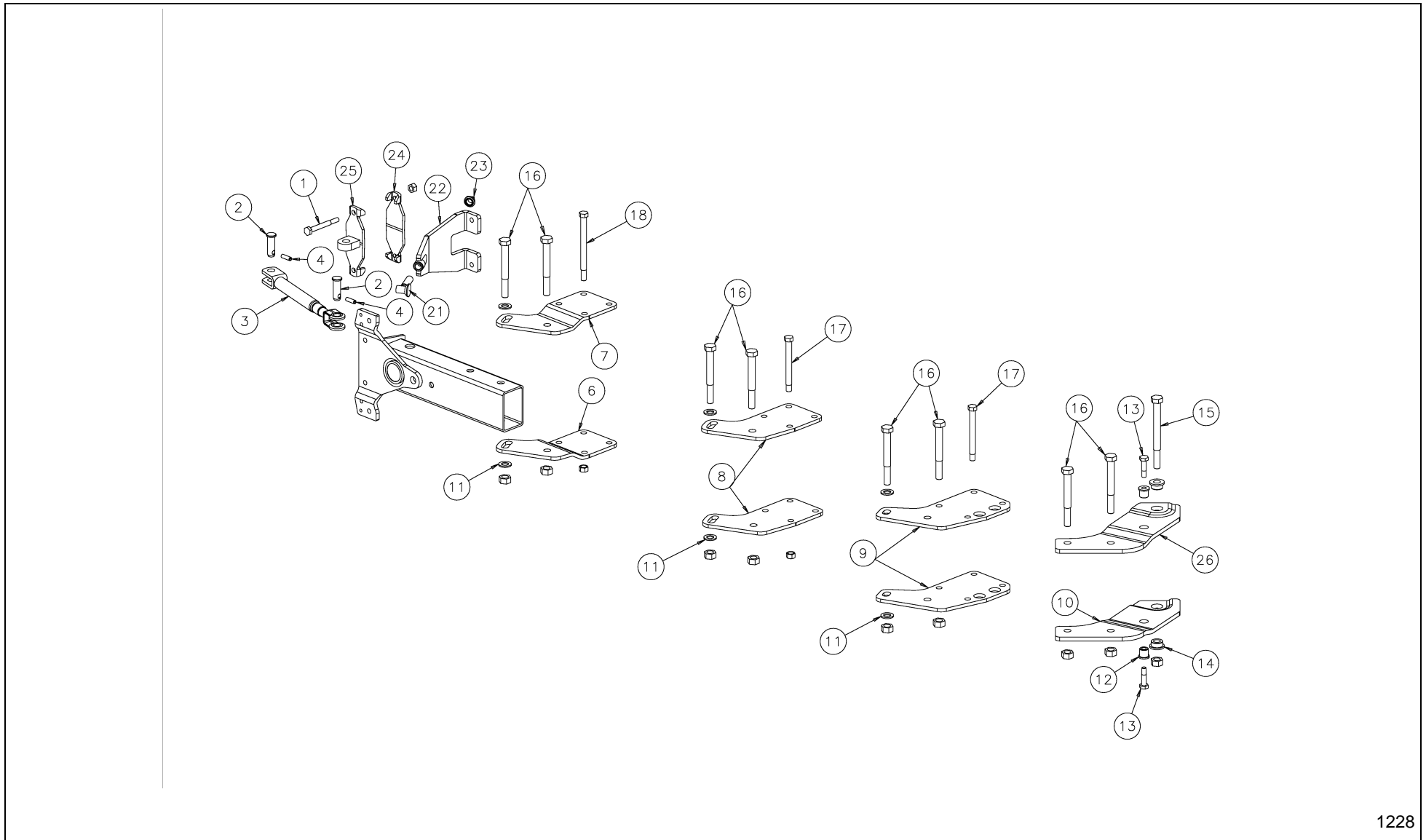


SPMKK000070

ESLS / WHEEL 200X14.5 & 26X12-12



PosNo.	Part No.	Qty.	Description	Remark
1	KG01799800		TAPER ROLLER BEARING 30208	
2	KG01817500		LOCK NUT M35X1.5	
3	KG01828000		LOCKING WASHER 35MM	
4	KK010591		CONICAL ROLL. BEAR. D80/35 B=22.75 30307	
5	KK011168		Z-LAMEL Z 209	
6	KK011303		TYRE LP 200X14.5/10-448	
6	KK011305		INNER TYRE 200-14.5 TR-15 FE	
7	KK011401		COVER PLATES	
8	KK011402		COVER KIT 26 X 12-12 CPL.	
9	KK013100		RUBBER TYRE 26X12-12 10 PLY	
9	KK011349		INNER TYRE FOR 26-12	
10	KK013105		HUB CAP D80 WITH NIPPLE	
11	KK013110		LOCK WASHER D35-D58X2.5	
12	KK029920		GREASE NIPPLE M8X1 STRAIGHT	
13	KK084106		RIM W HOUSIN 6.75X14.5X3.0 WO AXLE	
14	KK084107		RIM W HOUSING 9.00X12X3.0 WO AXLE	
15	KK084110		AXLE D50X238	
16	KK084111		AXLE D50X297	

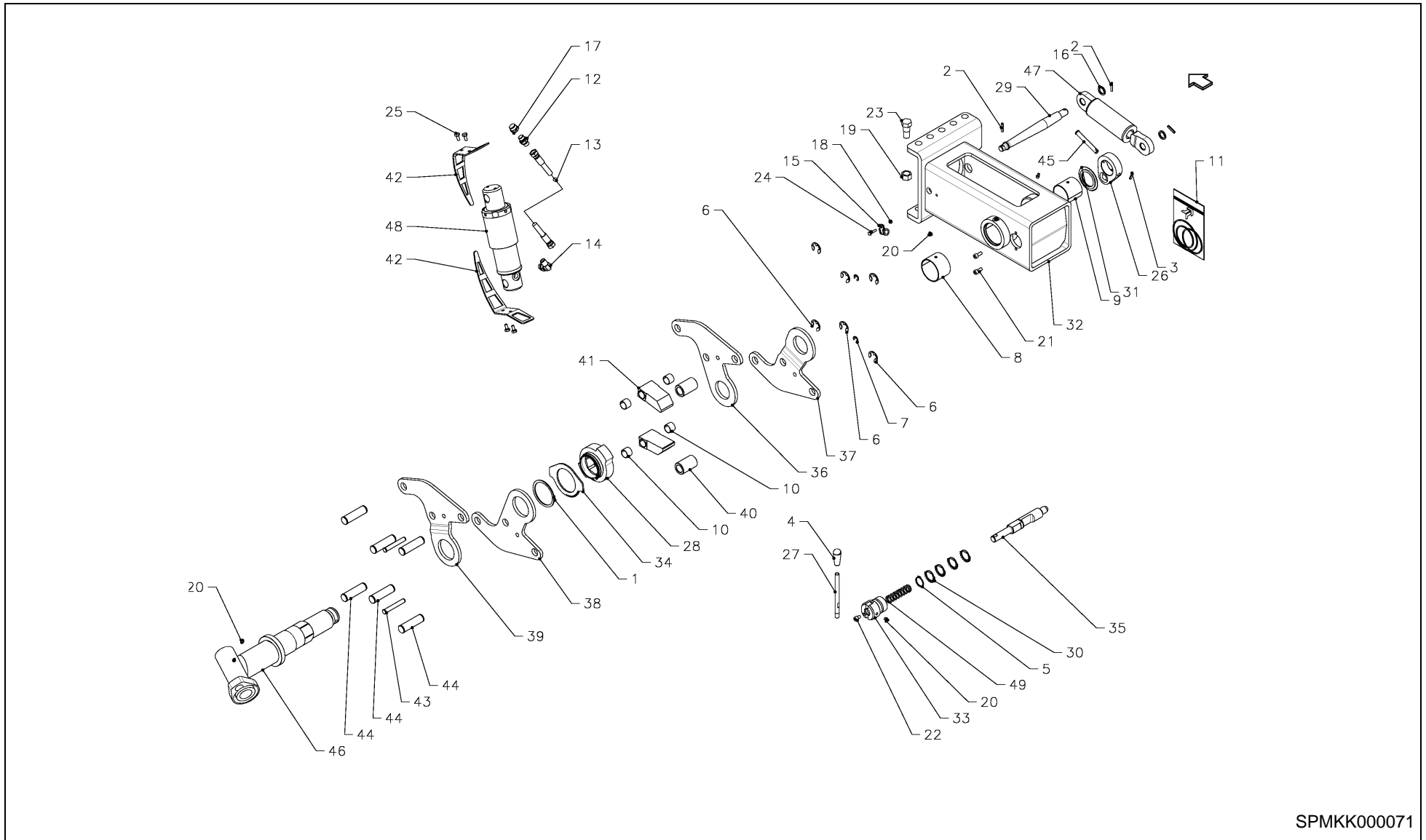


ESLS / BRACET DEPTH/TRANSP. WHEEL 99 (FROM 01.06.99)



PosNo.	Part No.	Qty.	Description	Remark
1	KK032716		HEX BOLT M16X140	(VD, VX, ED and LD plough)
1	KK032719		HEX BOLT M16X190 10.9	(EM/LM plough)
1	KK032727		HEX BOLT M16X160 10.9	(ED/LD-HD plough)
2	KK010315		BOLT W/ HEAD D25.3X60	
3	KK070805		TURNBUCKLE	
4	KK011020		ROLL PIN D12X40 NS5109 GALV.	
6	KK074885		PLATE LOWER FRAME ASS.DEPTH/TRANS.W.99	(ED and LD plough)
6	KK074971		WHEEL BR. LOWER FRAME MOUN. ED-HD	(ED/LD-HD, 200 tube)
7	KK074884		PLATE UPPER FRAME ASS.DEPTH/TRANS.W.99	(ED and LD plough)
7	KK074970		WHEEL BR. UPPER FRAME MOUN. ED-HD	(ED/LD-HD, 200 tube)
8	KK074888		PLATE FOR WHEEL SUSPENSION	(for VD and VX plough)
9	KK084653		PLATE	(for EM/LM plough)
10	KK074882		PLATE LOWER	(for ES and LS plough)
11	KK013005		WASHER D25-D44X4	
12	KK011614		BUSHING W/FLANGE 16X30X28-D30/28	
13	KK032765		HEX BOLT M16X65 10.9	
14	KK011615		BUSHING W/FLANGE D24.25X22-D40/17	
15	KK032925		HEX BOLT M24X250 10.9	
16	KK032920		HEX BOLT M24X200 10.9	
17	KK032822		HEX BOLT M20X190 THREAD L=25	
18	KK032836		HEX BOLT M20X240 10.9	
21	KK084084		STOP SCREW WE	(for ES/LS ploughs only) (From 01.04.01)
22	KK074846		TRANSPORT SUPPORT D/T WHEEL ES/LS	(for ES/LS ploughs only) (From 01.04.01)
23	KK061899		COUNTER NUT M24	(for ES/LS ploughs only) (From 01.04.01)
24	KK074890		FIXING DEVICE FOR TUBE 150	(150 mm tube)
24	KK074887		FIXING DEVICE F. TUBE 200	(200 mm tube)
25	KK074889		FIXING DEVICE FOR TUBE 150	(150 mm tube)
25	KK074886		FIXING DEVICE F. TUBE 200	(200 mm tube)
26	KK074881		PLATE UPPER	(for ES and LS plough)

ESLS / WHEEL (HYDRAULIC)

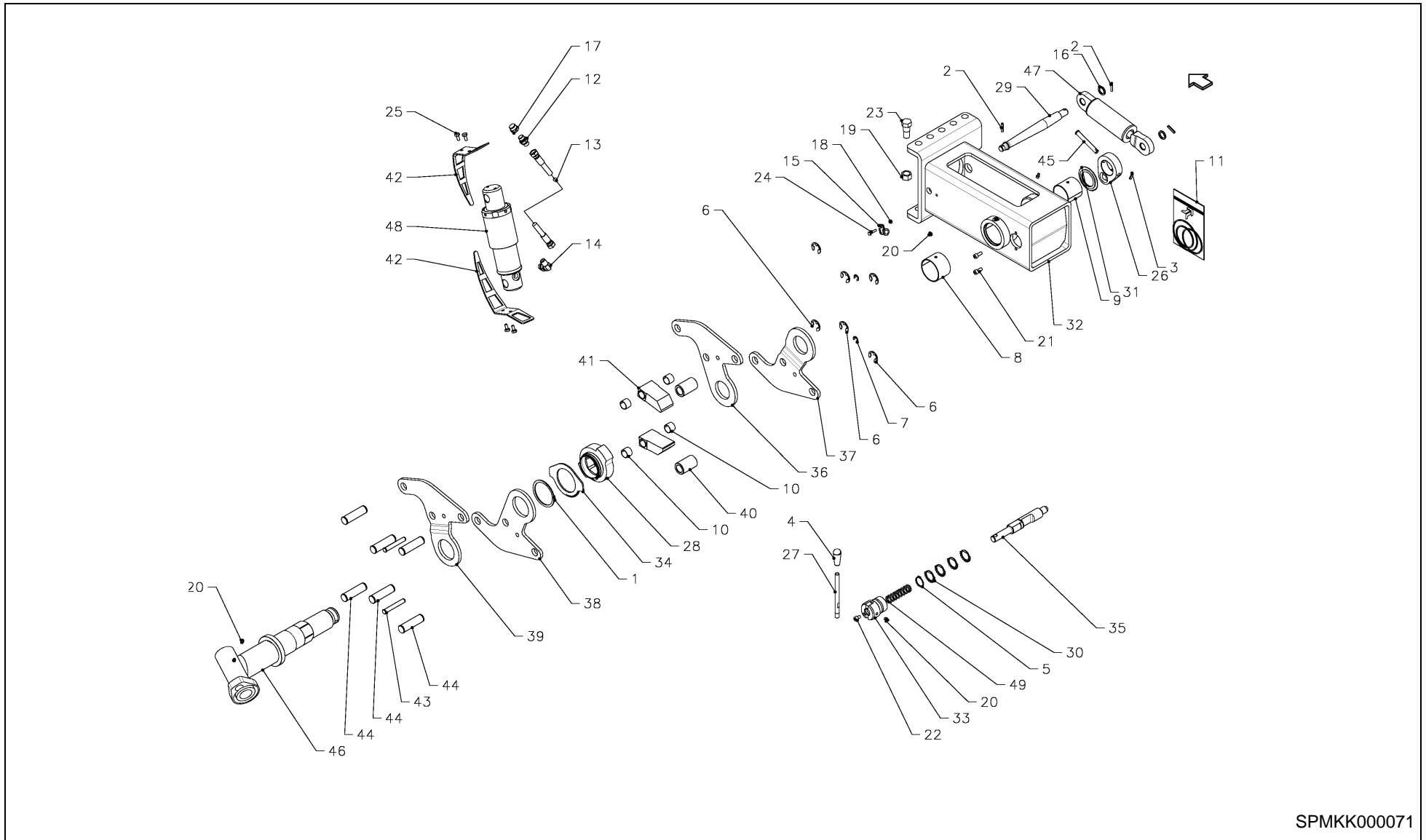


SPMKK000071

ESLS / WHEEL (HYDRAULIC)

PosNo.	Part No.	Qty.	Description	Remark
1	KG01112200		CIRCLIP-A 80 X 2.5	
2	KK011035		ROLL PIN D6X30 GALV.	
3	KK011061		ROLL PIN D6X22 FORS.	
4	KK011122		CAP FOR STICK 12	
5	KK011266		CIRCLIP A 30X1.5 NS5143	
6	KK011270		CIRCLIP 19 NS 5145	
7	KK011271		CIRCLIP	
8	KK011628		SLIDE BEARING PM 7050 SY	
9	KK011629		SLIDE BEARING PM 6060 SY	
10	KK011654		SLIDE BEARING MB 2420 DU	
11	KK011939		SEAL KIT D20-D50	
12	KK012261		COUPLING 3/8-3/8	
13	KK012670		HOSE 1/4X500 R-SV/R-SV	
14	KK012730		90 DEG MALE-FEMALE ADJUSTABLE ADAPTOR	
15	KK012737		HOSE CLAMP 1/4 RUBBER/STEEL	
16	KK012931		WASHER D20.5-D28X3.4	
17	KK013773		3/8 HETTE MED SVIVELMUTTER	
18	KK015806		NUT M6	
19	KK015830		NUT M20	
20	KK029920		GREASE NIPPLE M8X1 STRAIGHT	
21	KK032010		CHEESE HEAD SCREW M8 X 20 DIN912	
22	KK032013		CHEESE HEAD SCREW M8 X 12 DIN912	
23	KK032845		HEX BOLT M20X45 10.9	
24	KK033325		HEX BOLT M6X25 GALV.	
25	KK033416		HEX BOLT M8X16 GALV.	
26	KK074867R		PIECE SCHOCK ABSORBER	
27	KK074874R		HANDLE F. STOP AXLE DEPTH WHEEL	
28	KK084140R		CAM DISC WITH SPACER RINGS	
29	KK084144R		PIVOT PIN ON SHOCKABS HYD WHEEL	
30	KK084145		DRIVE GEAR WHEEL ON CAM STOP AXLE	
31	KK084146		LABYRINTH SEAL	
32	KK084170		HOUSING W BUSHINGS&GREASE NIPPLES	
33	KK084177		CASING ON CAM STOP AXLE	
34	KK084178		PAWL LIFT DISC TOOTHED	
35	KK084179		LOCK AXLE ON CAM STOP HYD WHEEL	
36	KK084181R		PAWL ARM PLANE D60	
37	KK084182R		PAWL ARM BENT D60	
38	KK084183R		PAWL ARM PLANE D68	
39	KK084184R		PAWL ARM BENT D68	
40	KK084185		BUSHING D20-D38X60	

ESLS / WHEEL (HYDRAULIC)

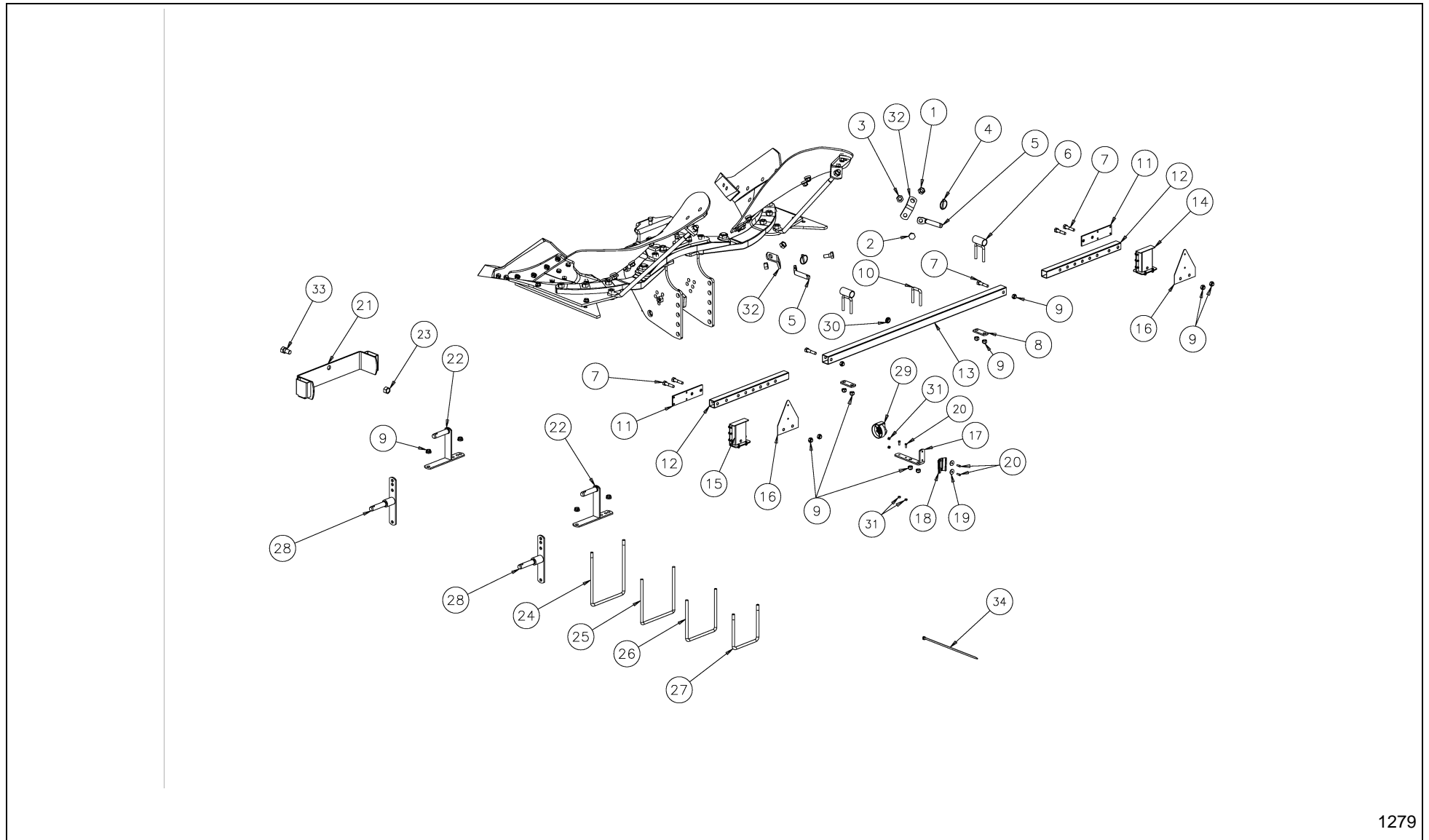


SPMKK000071

ESLS / WHEEL (HYDRAULIC)

PosNo.	Part No.	Qty.	Description	Remark
41	KK084187		PAWL WITH BUSHINGS	
42	KK084189		INDICATOR ON HYD DEPTH WHEEL	
43	KK084190		PIN D12	
44	KK084191		PIN D24	
45	KK084194		PIN D12 FOR CRANK	
46	KK084199		SHAFT WITH FIX HYD WHEEL	
47	KK353630R		SHOCKABS.D50-D20X250+100-1.2RESTR	
48	KK354515		CYL D63/D32X280+120 HYD WHEEL	
49	KK356042R		PRESSURE SPRING D2.8-D23.8X125	

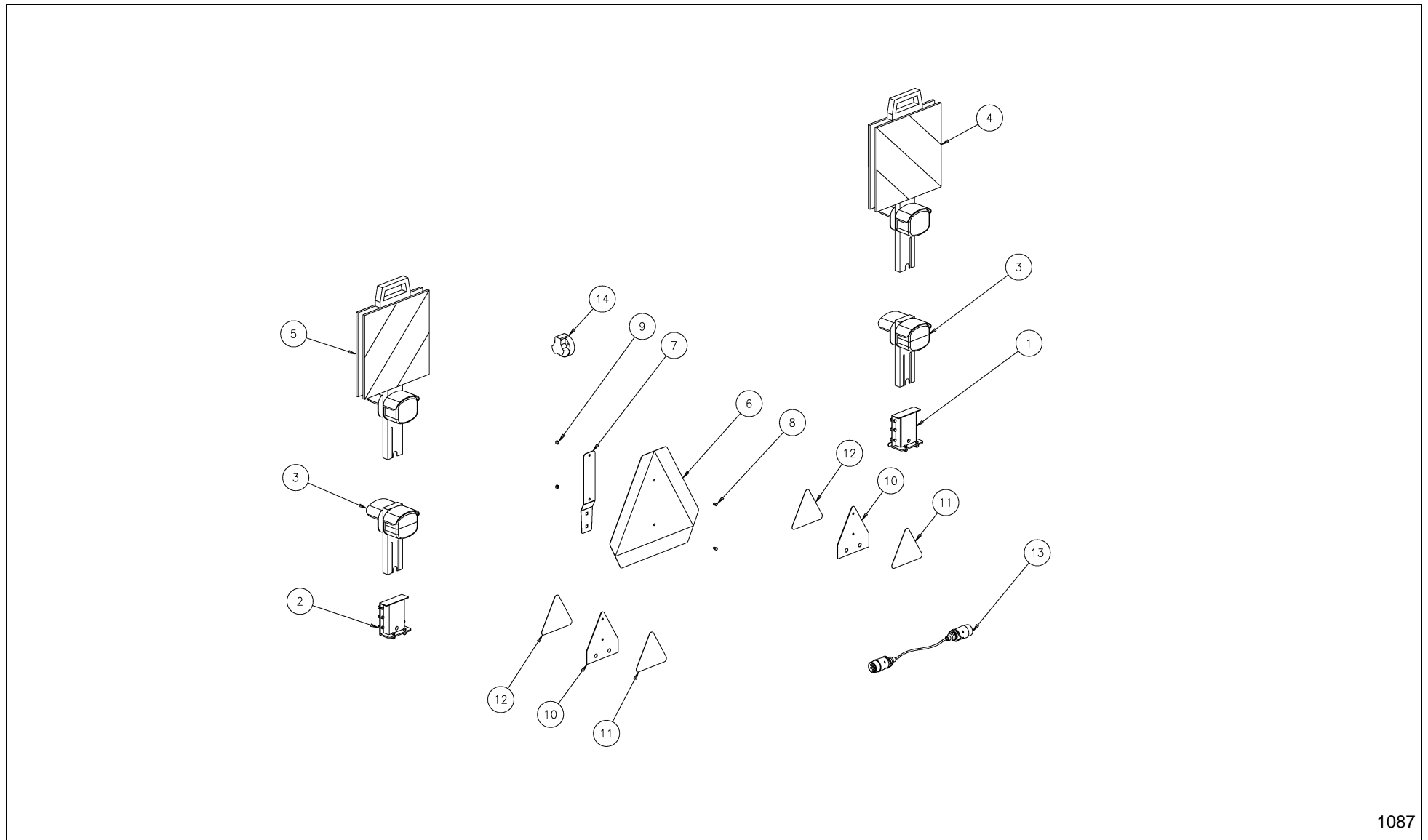
ESLS / LIGHTS (MOUNTING FRAME)



1279

ESLS / LIGHTS (MOUNTING FRAME)

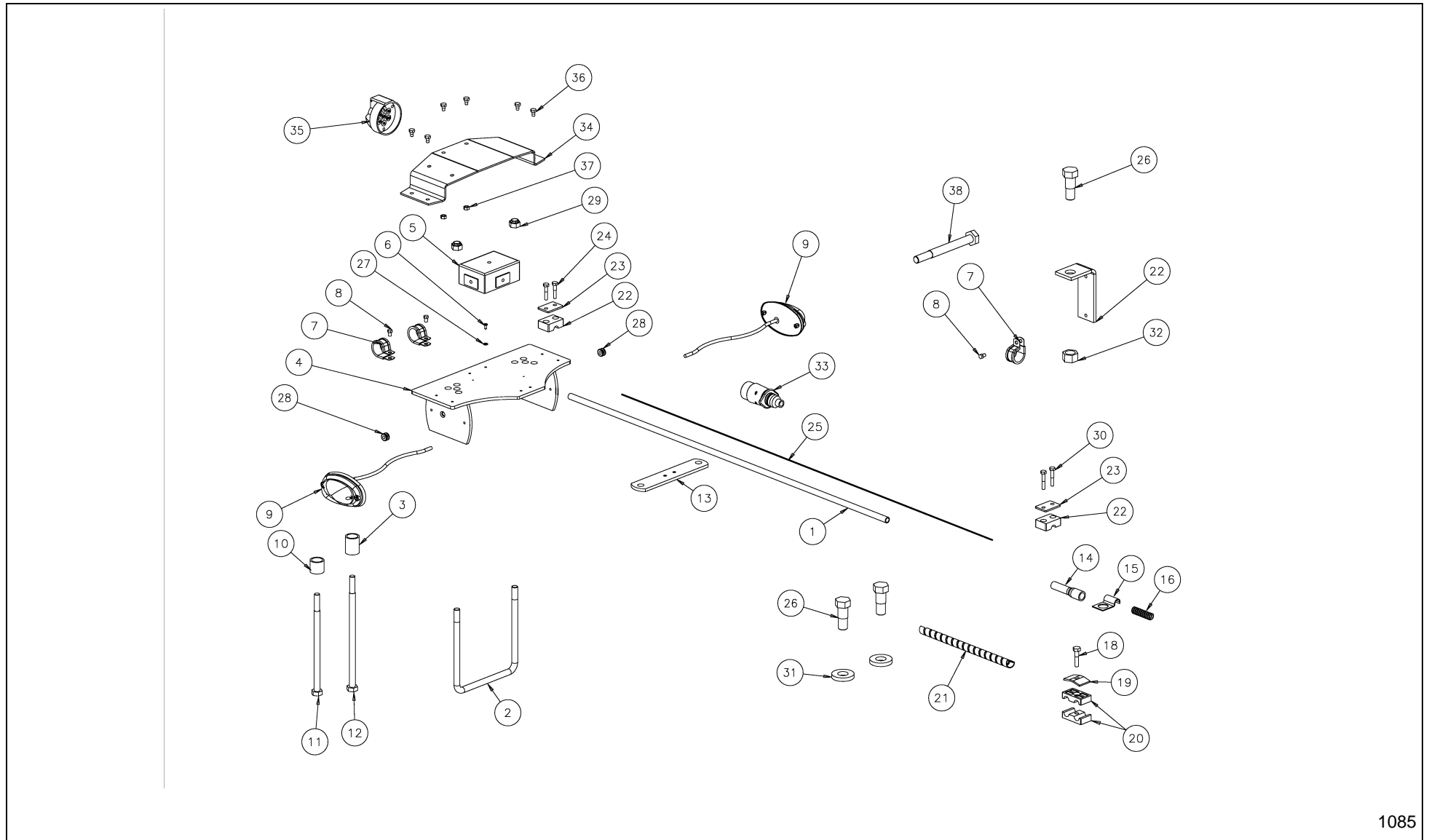
PosNo.	Part No.	Qty.	Description	Remark
1	KK015834		NUT M20 H12 GALV.	
2	KK032735		HEX BOLT M16X35 10.9	
3	KK015825		NUT M16	
4	KK010702		PIN D6 NS 555	
5	KK354314		FIXING PIN FOR LIGHTS	
6	KK354320		CLEVIS WITH BUSHING	
7	KK032655		HEX BOLT M12 X 55	
8	KK354318		PLATE WITH 2 HOLES	
9	KK016008		NYLOC NUT M12	
10	KK199788		CLEVIS M12-4SQ41-70	
11	KK354008		PLATE FOR PLUG	
12	KK354316		TUBE 35X35X2X500 END LIGHTS	
13	KK354315		TUBE FOR LIGHTS	
14	KK354347		LIGHT SOCKET RIGHT L = 1500	
15	KK354348		LIGHT SOCKET LEFT L = 1500	
16	KK354011		PLATE FOR TRIANGLE REFLEX	
17	KK354317		FIX FOR TRIANGLE AND SOCKET	
18	KK354325		FIXING BRACKET FOR TRIANGLE	
19	KK012904		WASHER D6.4-D24X3	
20	KK033315		HEX BOLT M6X15	
21	KK354310		DOCKING STATION WELDED	
22	KK354321		TOP PARKING LIGHTS	
23	KK015830		NUT M20	
24	KK088169		CLEVIS M12 FOR TUBE 250X200	
25	KK071493		CLEVIS M12 FOR TUBE 200X200	
26	KK354018		CLEVIS M12 FOR TUBE 180X180	
27	KK354017		CLEVIS M12 FOR TUBE 150X150	
28	KK354327		SIDE PARKING LIGHTS HOLDER WELDED	
29	UH440780		7 PIN PLUG (SEAL INCLUDED)	
30	KK354328		RUBBER PROTECTION	
31	KK015806		NUT M6	
32	KK354313		FIXING PLATE	
33	KK032835		HEX BOLT M20X35 10.9	
34	KK012735		STRIP FOR MARKING 5X200 RED	



ESLS / LIGHTS AND REFLEXES

PosNo.	Part No.	Qty.	Description	Remark
1	KK354347		LIGHT SOCKET RIGHT L = 1500	
2	KK354348		LIGHT SOCKET LEFT L = 1500	
3	KK354059		DOUBLE LIGHT. REAR, L AND R	(for Denmark)
4	UH414216		REAR LIGHT W/DUBLE REFLEX PLATE RH	(for Germany)
5	UH414217		REAR LIGHT W/DUBLE REFLEX PLATE LH	(for Germany)
6	KK354040		REFLEX TRIANGLE	
7	KK354040		REFLEX TRIANGLE	
8	KK033306		HEX BOLT M6X8	
9	KK015806		NUT M6	
10	KK354011		PLATE FOR TRIANGLE REFLEX	
11	KK709980		TRIANGULAR REFLEXIVE FOIL	
12	KK709982		STICKER REFLEX, WHITE	
13	KK354090		KABLE W 2 PLUGS 20M	
13	KK354064		CABLE W PLUGS 8 METRES	
13	KK354063		CABLE W PLUGS 13 METRES	
13	UH440775		CONNECTING WIRE TRACTOR	
13	KK354046		KABLE W 2 PLUGS 6M	
14	UH440780		7 PIN PLUG (SEAL INCLUDED)	

ESLS / LIGHT (SIDE MOUNTED)

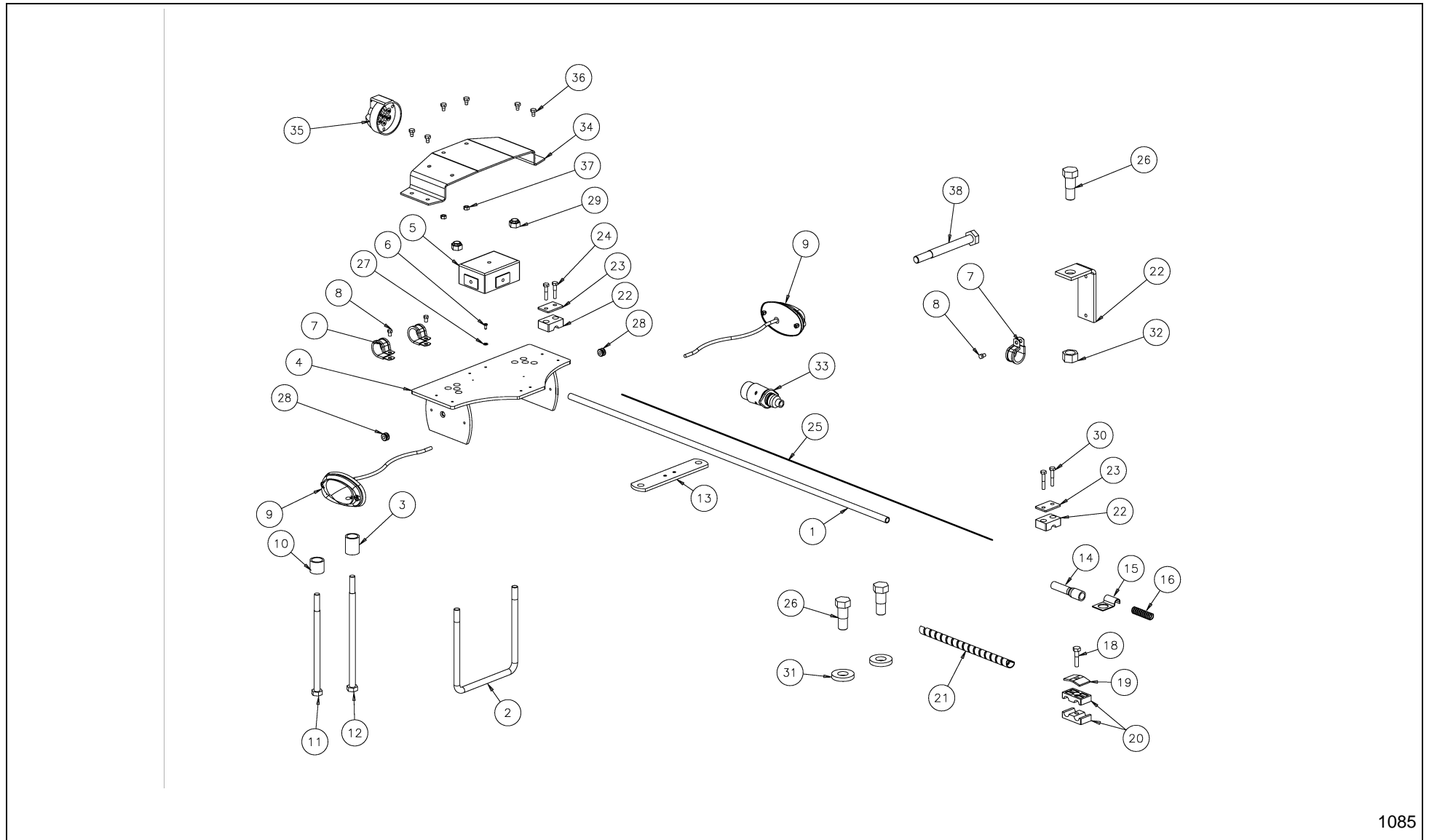


1085

ESLS / LIGHT (SIDE MOUNTED)

PosNo.	Part No.	Qty.	Description	Remark
1	KK012718		OIL TUBE D12X1800	
1	KK012719		OIL TUBE D12X900	
1	KK068689		OIL TUBE L=1100	
1	KK068690		OIL TUBE L=1950	
1	KK068691		OIL TUBE L=2800	
1	KK078389		OIL TUBE D12X3000	
2	KK354017		CLEVIS M12 FOR TUBE 150X150	(for tube 150 x 150 mm)
2	KK354018		CLEVIS M12 FOR TUBE 180X180	(for tube 180 x 180 mm)
2	KK071492		U-BOLT M12-4SQ203-145	(for tube 120 x 200 mm)
2	KK071493		CLEVIS M12 FOR TUBE 200X200	(for tube 200 x 200 mm)
3	KK010036		TUBE	(for PB/RB)
4	KK354014		BRACKET FOR SIDE LIGHTS	
5	UH333791		JUNCTION BOX	
6	KK031019		MACHINE SCREW M4 X 10 DIN 84	
7	KK012737		HOSE CLAMP 1/4 RUBBER/STEEL	
8	KK033306		HEX BOLT M6X8	
9	KK354095		SIDE LIGHT ORANGE	
10	KK010064		SPACING	(for PB/RB)
11	KK032624		HEX BOLT M12 X 210	
12	KK032623		HEX BOLT M12 X 240	
13	KK354029		ORVEL FOR LIGHT TUBE 150X150	(for tube 150 x 150 mm)
13	KK354028		ORVEL FOR LIGHT TUBE 180X180	(for tube 180 x 180 mm)
13	KK354030		ORVEL FOR LIGHT TUBE 200X200	(for tube 200 x 200 mm)
14	KK354042		RUBBER PROTECTION 140332-12	
15	KK012700		CLAMP FOR 1/4HOSE - D20	
16	KK354041		ELEKTROFLEX D10XD14X3700	(3.7 m; PG/RG)
16	KK354092		ELEKTROFLEX 10 X 14.6 X 5M.	(5.0 m; PL/RL)
17	KK061947		BRACKET FOR 3 HOSES H=70	
18	KK032435		HEX BOLT 8 X 35 PARTLY THREAD	(for PL plough only)
18	KK032460		HEX BOLT M8 X 60 8.8	
19	KK012324		COVER TUBE CLAMP	(for PL plough only)
20	KK012323		PLASTIC PART TUBE CLAMP	(for PL plough only)
21	KK012116		HOSE WRAPPER D12.5X600	(for PG plough only)
22	KK012092		PLASTIC PART TUBE CLAMP	
23	KK012069		COVER	
24	KK032330		HEX BOLT M6X30 PARTLY THREAD	
25	KK354048		KABLE 5 X 0.75 X 4500	4.5 m
25	KK354047		KABLE 5 X 0.75 X 6M	6.0 m
25	KK354077		CABLE 2X0.75X8000	8.0 m
25	KK354078		CABLE 2X0.75X10000	10.0 m

ESLS / LIGHT (SIDE MOUNTED)

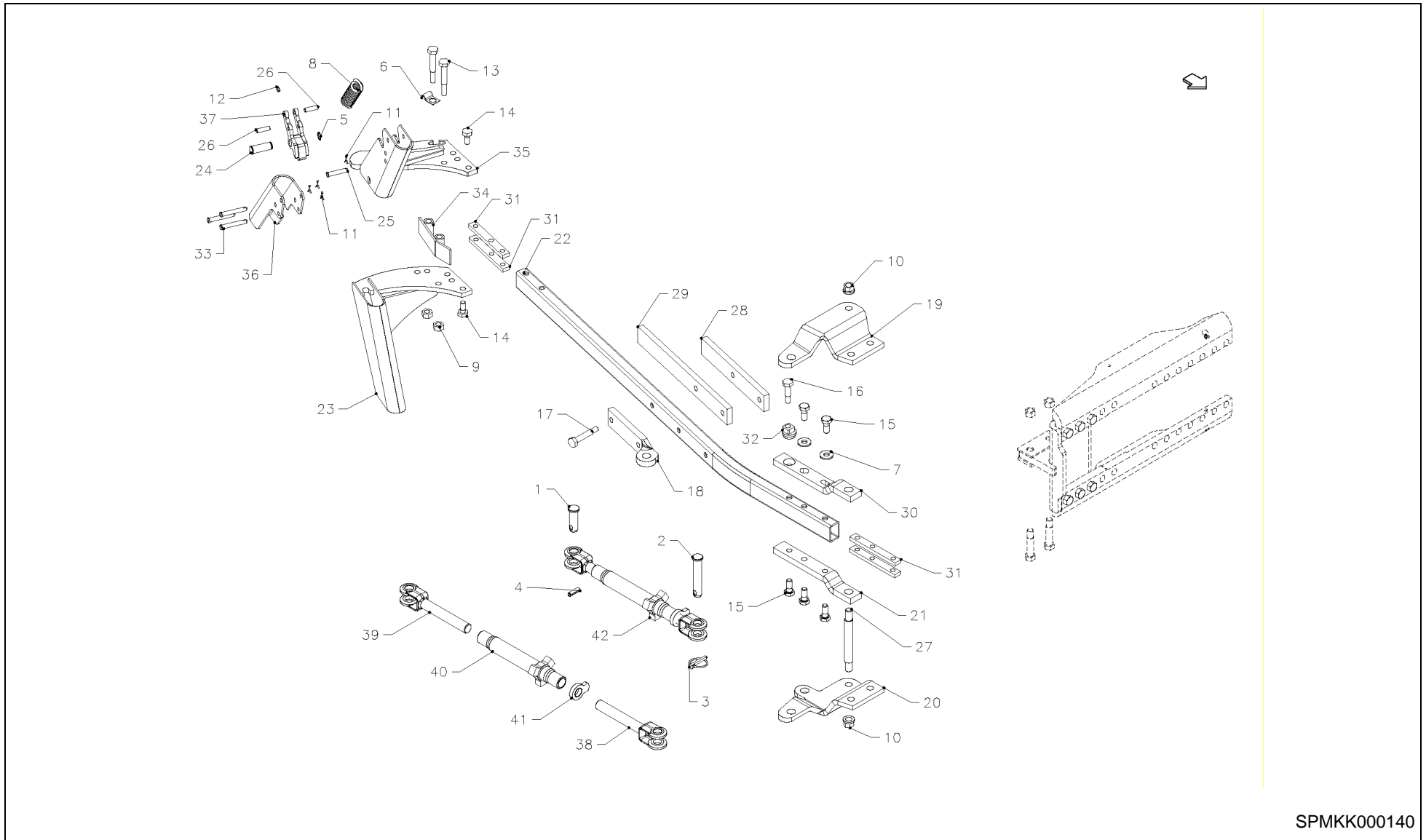


1085

ESLS / LIGHT (SIDE MOUNTED)

PosNo.	Part No.	Qty.	Description	Remark
25	KK354049		KABEL Å#LFLEX CLASSIC 110 5 X 0.75 X 13M.	13.0 m
25	KK354340		KABEL Å#LFLEX CLASSIC 110 5 X 0.75 X 15M.	15.0 m
25	KK354091		KABEL Å#LFLEX 5X0.75X20M.	20.0 m
26	KK032850		HEX BOLT M20X50 10.9	
27	KK012852		WASHER D4.3-D9.0X0.6 GALV.	
28	KK354096		CABLE GLAND D6-D8.5X4	
29	KK016008		NYLOC NUT M12	
30	KK032335		HEX BOLT M6 X 35 PARTLY THREAD	
31	KK012968		WASHER D21XD45 7.5 GALV.	
32	KK015830		NUT M20	
33	KK012503		PLUG 7-PINS FOR TRAILER	
34	KK354324		COVERPLATE LIGHTS	
35	UH440780		7 PIN PLUG (SEAL INCLUDED)	
36	KK032310		HEX BOLT M6X10	
37	KK015806		NUT M6	
38	KK032710		HEX BOLTM16X155	
Not ill.	KK012735		STRIP FOR MARKING 5X200 RED	

ESLS / SOIL PACKER ARM

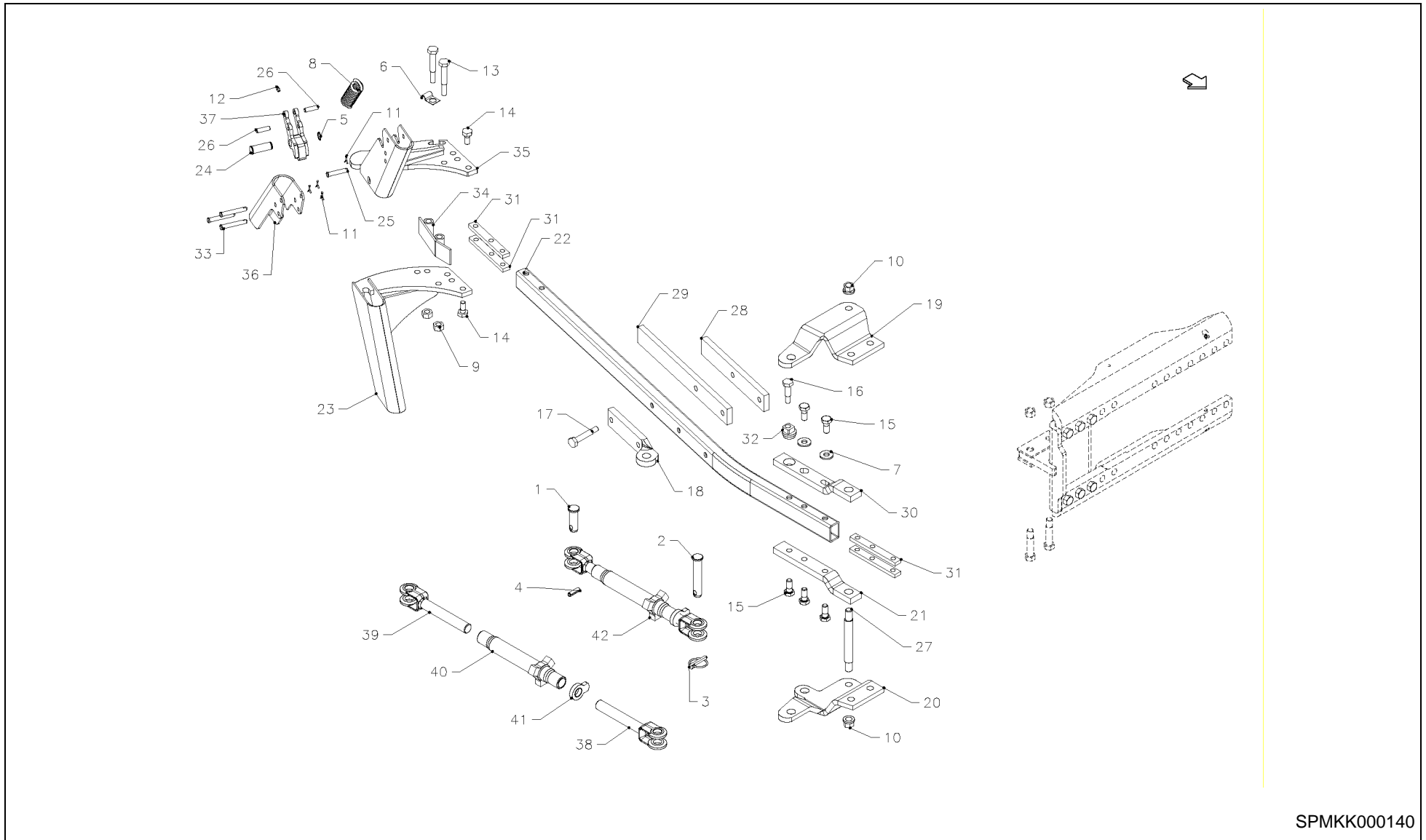


SPMKK000140

ESLS / SOIL PACKER ARM

PosNo.	Part No.	Qty.	Description	Remark
1	KK010315		BOLT W/ HEAD D25.3X60	
2	KK010319		BOLT W/ HEAD D25.3X120	
3	KK010700		PIN D12 NS 555	
4	KK011020		ROLL PIN D12X40 NS5109 GALV.	
5	KK011296		CIRCLIP A 22X1.2	
6	KK012700		CLAMP FOR 1/4HOSE - D20	
7	KK012922		WASHER D17-D40X4.58	
8	KK013701		STRETCH SPRING D7.5-D32.5X175	
9	KK015825		NUT M16	
10	KK016012		FLANGE NUT M20	
11	KK029715		SPILT PIN D4X25	
12	KK029920		GREASE NIPPLE M8X1 STRAIGHT	
13	KK032702		HEX BOLT M16X110	
14	KK032735		HEX BOLT M16X35 10.9	
15	KK032740		HEX BOLT M16X40 10.9	
16	KK032765		HEX BOLT M16X65 10.9	
17	KK032795		HEX BOLT M16X95 10.9	
18	KK072158		BRACKET FOR TIE ROD	
19	KK076304		UPPER PLATE	
20	KK076305		LOWER PLATE	
21	KK076307		BEARING PLATE	
22	KK076308		STEADY BRACE	
23	KK076310		PICKUP ARM LOWER	
24	KK076318		BOLT W/HEAD D22X58	
25	KK076319		BOLT W/HEAD D12X58	
26	KK076320		AXLE D12X42	
27	KK076322		AXLE FOR STEADY BRACE GALV.	
28	KK076348		PLATE WITH 2 HOLES 350X57X19	
29	KK076349		PLATE WITH 2 HOLES 500X57X19	
30	KK076350		BEARING PLATE. UPPER	
31	KK076351		PLATE W M16 HOLES	
32	KK076401		ECCENTRIC GALV.	
33	KK076652		BOLT W/HEAD D12X72	
34	KK076682		REJECTOR	
35	KK076711		UPPER PICKUP ARM	
36	KK076716		PROTECTION FOR PICKUP ARM	
37	KK077013		HOOK CONVENT.PACKER.2000	
38	KK351139		SCREW M30X3.5 R THREADS	
39	KK351140		SCREW M30X3.5 L THREADS	
40	KK351145		TUBE M30X3.5 L340	

ESLS / SOIL PACKER ARM

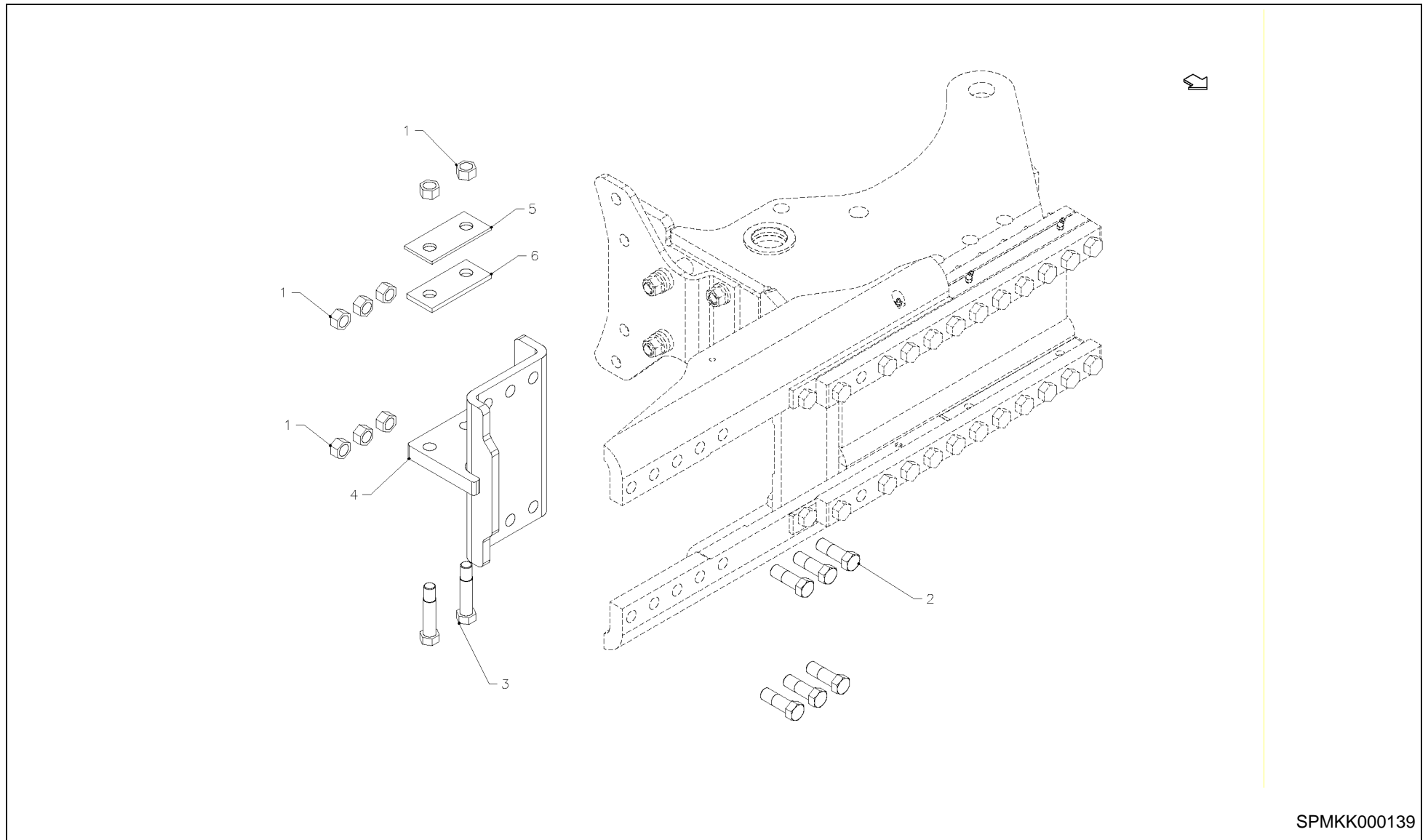


SPMKK000140

ESLS / SOIL PACKER ARM



PosNo.	Part No.	Qty.	Description	Remark
41	KK351148		COUNTER NUT M30X3,5	
42	KK361116		TURNBUCKLE 520-720	

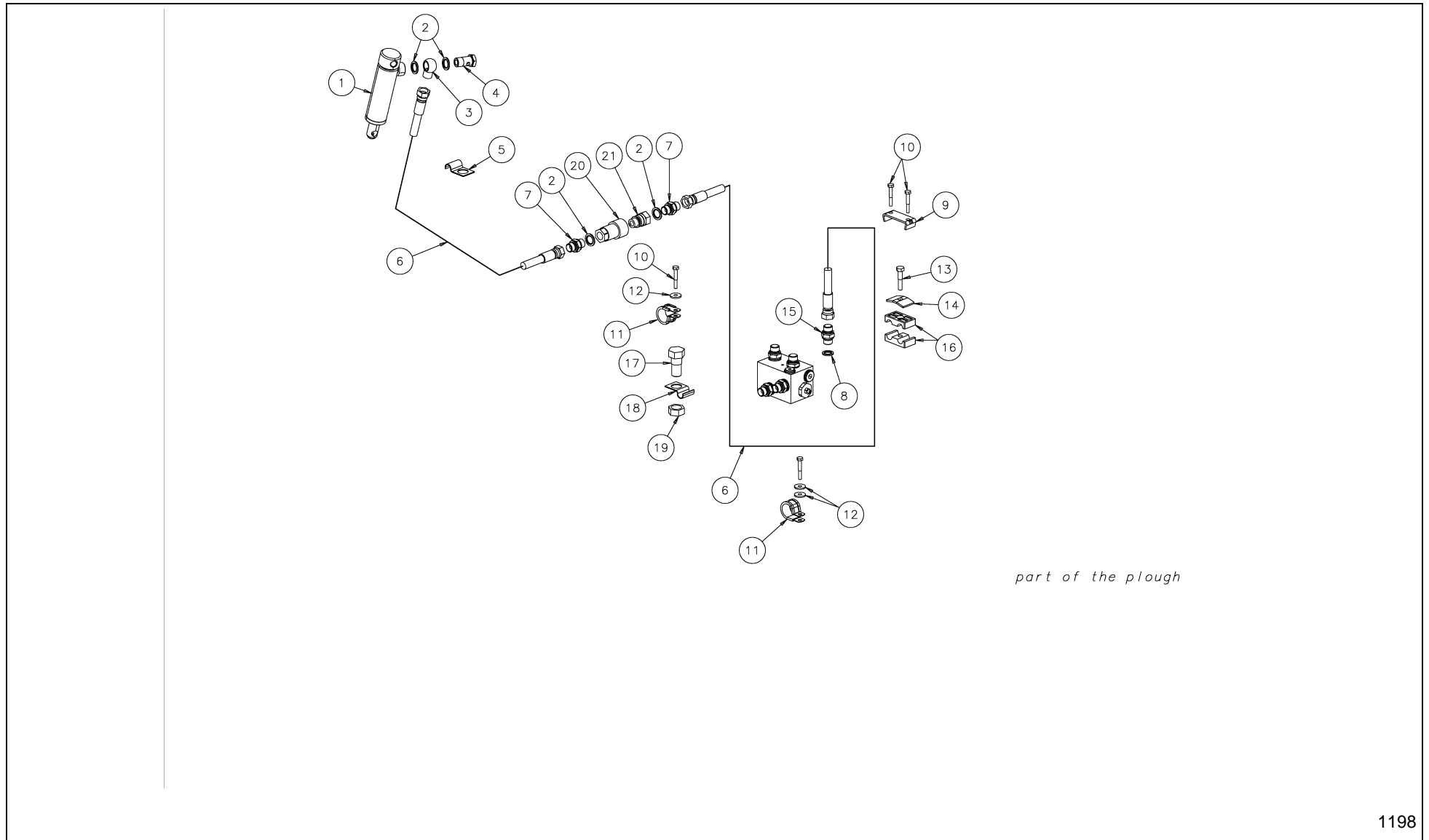


SPMKK000139

ESLS / DRAW BAR HS-200



PosNo.	Part No.	Qty.	Description	Remark
1	KK015830		NUT M20	
2	KK032860		HEX BOLT M20X60 10.9	
3	KK032890		HEX BOLT M20X90 10.9	
4	KK075812		BRACKET	
5	KK076691		CENTER PLATE	
6	KK076694		PLATE	



ESLS / HYDRAULICS PACER ARM HS-200



PosNo.	Part No.	Qty.	Description	Remark
1	KK352394		CYLINDER D32-D20X125+50	(see plate no. 377) (Before 01.01.01)
1	KK353626		CYL.D32-D20X165+75 PACKERHOOK 2000	(see plate no. 377) (From 01.01.01) (Before 01.07.04)
1	KK354520		CYLINDER D32/D20 X 165 + 75	(see plate no. 1292) (From 01.07.04)
2	KK011585		SEAL RING R 3/8(INNER D17)	
3	KK012062		BANJO G3/8- SHORT-H=17	
4	KK012059		BANJO BOLT G3/8X31	
5	KK012700		CLAMP FOR 1/4HOSE - D20	
6	KK012785		HOSE 1/4X2250 R-SV/R-SV	
7	KK012261		COUPLING 3/8-3/8	
8	KK012269		SEAL RING R1/4(INNER D13)	
9	KK012520		CLAMP FOR 3X1/4-HOSE	
10	KK032340		HEX BOLT M6X40 PARTLY THREAD	
11	KK012737		HOSE CLAMP 1/4 RUBBER/STEEL	
12	KK012984		WASHER D6.6XD21X2.4 DIN440 GALV.	
13	KK032440		HEX BOLT M8 X 40 8.8	
14	KK012324		COVER TUBE CLAMP	
15	KK010867		THREADED COUPLING G1/4 UTV/G3/8 UTV	
16	KK012323		PLASTIC PART TUBE CLAMP	
17	KK032840		HEX BOLT M20X40 10.9	
18	KK012700		CLAMP FOR 1/4HOSE - D20	
19	KK015834		NUT M20 H12 GALV.	
20	KK012706		QUICK COUPLING 3/8 BASE	
21	KK012705		QUICK COUPLING 3/8 PLUGG	

ESLS / Part No Index



Part No.	Page	Pos No	Part No.	Page	Pos No	Part No.	Page	Pos No	Part No.	Page	Pos No
KG00017500	9	1	KK010096	38	26	KK010319	22	2	KK010700	43	2
KG00017500	10	1	KK010149	19	1	KK010319	26	3	KK010700	50	3
KG00017500	11	1	KK010149	23	1	KK010319	50	2	KK010702	40	65
KG00933400	34	1	KK010149	24	1	KK010328	22	3	KK010702	47	4
KG00933400	35	1	KK010149	25	1	KK010328	26	4	KK010749	40	32
KG00933400	36	1	KK010152	15	2	KK010332	15	4	KK010806	38	28
KG00933400	37	1	KK010155	1	103	KK010337	15	5	KK010867	8	18
KG01108800	9	2	KK010155	2	103	KK010461	39	12	KK010867	25	2
KG01108800	10	2	KK010155	3	103	KK010464	40	19	KK010867	52	15
KG01108800	11	2	KK010155	4	103	KK010509	33	2	KK010909	19	4
KG01112200	46	1	KK010156	1	103	KK010517	40	6	KK010909	21	1
KG01126800	17	1	KK010156	2	103	KK010566	17	4	KK010958	17	8
KG01129300	35	2	KK010156	3	103	KK010566R	17	5	KK011001	17	9
KG01129300	36	2	KK010156	4	103	KK010571	15	6	KK011002	38	38
KG01129300	37	2	KK010158	17	2	KK010572R	9	4	KK011002	40	53
KG01129800	9	3	KK010168	20	1	KK010572R	10	4	KK011002	41	4
KG01129800	10	3	KK010255	39	35	KK010572R	11	4	KK011002	42	4
KG01129800	11	3	KK010260	38	7	KK010591	44	4	KK011011	39	26
KG01189400	41	1	KK010260	40	22	KK010606	15	7	KK011016	15	11
KG01189400	42	1	KK010260	41	3	KK010606	17	6	KK011016	16	3
KG01195600	43	1	KK010260	42	3	KK010650	15	8	KK011020	15	12
KG01195800	41	2	KK010278	13	1	KK010650	18	2	KK011020	18	4
KG01195800	42	2	KK010278	14	1	KK010650	19	2	KK011020	22	4
KG01799800	40	61	KK010282	14	1	KK010655	23	2	KK011020	26	5
KG01799800	44	1	KK010288	13	2	KK010656	15	9	KK011020	39	13
KG01817500	44	2	KK010288	14	2	KK010700	13	3	KK011020	45	4
KG01828000	44	3	KK010291	14	2	KK010700	14	3	KK011020	50	4
KK010008	15	1	KK010293	17	3	KK010700	15	10	KK011035	39	30
KK010008	22	1	KK010315	18	1	KK010700	16	2	KK011035	40	58
KK010008	26	1	KK010315	45	2	KK010700	17	7	KK011035	46	2
KK010036	49	3	KK010315	50	1	KK010700	18	3	KK011037	7	1
KK010042	16	1	KK010318	26	2	KK010700	19	3	KK011042	7	2
KK010064	49	10	KK010319	15	3	KK010700	40	26	KK011048	19	5

ESLS / Part No Index



Part No.	Page	Pos No	Part No.	Page	Pos No	Part No.	Page	Pos No	Part No.	Page	Pos No
KK011048	23	3	KK011305	40	8	KK011585	52	2	KK011866	10	6
KK011048	24	2	KK011305	44	6	KK011587	8	9	KK011866	11	6
KK011048	25	3	KK011346	40	47	KK011596	22	7	KK011873	31	7
KK011048	39	4	KK011349	40	47	KK011596	23	7	KK011876	33	8
KK011061	39	36	KK011349	44	9	KK011596	24	6	KK011890	17	11
KK011061	46	3	KK011378	38	33	KK011596	25	7	KK011891	17	12
KK011122	41	5	KK011379	40	5	KK011596	26	7	KK011896	15	13
KK011122	42	5	KK011400	38	36	KK011603R	18	5	KK011897	15	14
KK011122	46	4	KK011401	40	36	KK011603R	19	8	KK011898	15	15
KK011157	40	1	KK011401	44	7	KK011613	40	49	KK011910	32	7
KK011167	38	23	KK011402	44	8	KK011614	45	12	KK011912	35	4
KK011168	40	7	KK011418	40	Not ill.	KK011615	45	14	KK011913	31	10
KK011168	44	5	KK011419	40	46	KK011628	46	8	KK011916	32	2
KK011200	38	27	KK011538	23	4	KK011629	46	9	KK011918	33	5
KK011200	40	4	KK011538	24	3	KK011632	20	2	KK011939	40	Not ill.
KK011215	40	60	KK011538	25	4	KK011633	41	6	KK011939	46	11
KK011223	37	3	KK011541	23	5	KK011633	42	6	KK011946	32	Not ill.
KK011223R	19	6	KK011541	24	4	KK011636	38	39	KK011951	35	5
KK011223R	35	3	KK011541	25	5	KK011636	39	34	KK011953	31	8
KK011223R	36	3	KK011564	8	50	KK011636	40	56	KK011953	32	5
KK011231	38	25	KK011565	8	32	KK011652	40	37	KK011962	29	10
KK011261	19	7	KK011565	8	44	KK011654	46	10	KK012010	31	Not ill.
KK011262	16	4	KK011565	8	8	KK011737	33	13	KK012019	31	3
KK011262	17	10	KK011565	22	5	KK011750	9	5	KK012050	8	2
KK011266	46	5	KK011567	8	21	KK011750	10	5	KK012056	22	8
KK011270	46	6	KK011572	8	34	KK011750	11	5	KK012056	23	8
KK011271	46	7	KK011572	8	Not ill.	KK011765	27	8	KK012056	24	7
KK011272	39	11	KK011585	8	49	KK011769	29	6	KK012056	25	8
KK011272	40	20	KK011585	22	6	KK011793	32	6	KK012056	26	8
KK011276	33	1	KK011585	23	6	KK011818	32	4	KK012058	8	54
KK011296	50	5	KK011585	24	5	KK011821	31	6	KK012059	8	48
KK011303	40	8	KK011585	25	6	KK011824	33	7	KK012059	22	9
KK011303	44	6	KK011585	26	6	KK011866	9	6	KK012059	23	9

ESLS / Part No Index



Part No.	Page	Pos No	Part No.	Page	Pos No	Part No.	Page	Pos No	Part No.	Page	Pos No
KK012059	24	11	KK012247	8	28	KK012367	8	19	KK012725	22	23
KK012059	24	8	KK012248	8	22	KK012503	49	33	KK012726	15	16
KK012059	25	12	KK012248	8	28	KK012520	18	6	KK012729	24	18
KK012059	25	9	KK012261	22	16	KK012520	22	17	KK012730	22	24
KK012059	26	9	KK012261	23	12	KK012520	23	13	KK012730	46	14
KK012059	52	4	KK012261	24	13	KK012520	24	15	KK012735	47	34
KK012060	22	10	KK012261	25	14	KK012520	25	17	KK012735	49	Not ill.
KK012062	22	11	KK012261	46	12	KK012520	52	9	KK012737	46	15
KK012062	24	9	KK012261	52	7	KK012522	8	41	KK012737	49	7
KK012062	25	10	KK012264	8	10	KK012547	8	47	KK012737	52	11
KK012062	26	10	KK012267	8	45	KK012548	22	18	KK012740R	23	15
KK012062	52	3	KK012269	8	17	KK012548	23	14	KK012740R	24	19
KK012065	8	6	KK012269	25	15	KK012548	24	16	KK012741R	25	20
KK012069	49	23	KK012269	52	8	KK012548	25	18	KK012742R	24	20
KK012077	22	12	KK012284	8	11	KK012550	22	19	KK012743R	25	21
KK012080	23	10	KK012284	8	25	KK012632	29	8	KK012750	8	14
KK012080	24	10	KK012285	8	36	KK012670	26	13	KK012752	23	16
KK012080	25	11	KK012286	8	35	KK012670	46	13	KK012775	24	21
KK012082	24	11	KK012287	8	13	KK012700	49	15	KK012775	25	22
KK012082	25	12	KK012288	8	12	KK012700	50	6	KK012776	25	23
KK012090	8	1	KK012293	8	42	KK012700	52	18	KK012785	26	14
KK012092	49	22	KK012298	8	38	KK012700	52	5	KK012785	52	6
KK012114	8	46	KK012299	8	26	KK012701	22	20	KK012786	22	26
KK012116	49	21	KK012307	26	12	KK012702	22	21	KK012786	26	15
KK012128	8	33	KK012310	8	7	KK012704	22	22	KK012787	22	27
KK012157	8	20	KK012319	24	14	KK012705	52	21	KK012788	22	28
KK012158	22	13	KK012319	25	16	KK012706	52	20	KK012789	24	22
KK012158	23	11	KK012323	49	20	KK012710	18	7	KK012789	25	24
KK012158	24	12	KK012323	52	16	KK012717	8	38	KK012852	49	27
KK012158	25	13	KK012324	8	40	KK012718	49	1	KK012904	47	19
KK012158	26	11	KK012324	49	19	KK012719	49	1	KK012906	5	30
KK012208	22	14	KK012324	52	14	KK012723	24	17	KK012906	12	6
KK012209	22	15	KK012353	8	Not ill.	KK012723	25	19	KK012916	41	7

ESLS / Part No Index



Part No.	Page	Pos No	Part No.	Page	Pos No	Part No.	Page	Pos No	Part No.	Page	Pos No
KK012916	42	7	KK012951	14	4	KK013102	40	62	KK013346	1	36
KK012919	1	13	KK012955	40	34	KK013103	40	64	KK013346	2	105
KK012919	2	1	KK012955	41	9	KK013104	40	63	KK013346	2	36
KK012919	3	15	KK012955	42	9	KK013105	40	59	KK013346	3	105
KK012919	5	12	KK012956	41	10	KK013105	44	10	KK013346	4	105
KK012919	38	16	KK012956	42	10	KK013110	44	11	KK013361	1	105
KK012919	39	21	KK012960	9	7	KK013228	1	101	KK013361	2	105
KK012919	40	55	KK012968	49	31	KK013228	2	101	KK013361	3	105
KK012922	1	34	KK012970	16	5	KK013228	2	24	KK013361	4	105
KK012922	2	33	KK012978	16	6	KK013228	3	10	KK013385	1	105
KK012922	3	36	KK012978	17	13	KK013228	3	101	KK013385	2	105
KK012922	4	31	KK012979R	17	15	KK013228	4	101	KK013385	3	105
KK012922	18	8	KK012984	52	12	KK013228	4	17	KK013385	4	105
KK012922	19	9	KK013004	41	11	KK013228	5	6	KK013500	26	16
KK012922	38	37	KK013004	42	11	KK013234	1	20	KK013502	8	3
KK012922	50	7	KK013005	45	11	KK013234	2	23	KK013531	22	29
KK012924	40	29	KK013010	16	7	KK013234	3	11	KK013532	22	30
KK012927	1	28	KK013017	41	12	KK013332	1	17	KK013533	24	23
KK012927	2	18	KK013017	42	12	KK013332	1	4	KK013533	25	25
KK012927	8	53	KK013062	17	16	KK013332	2	39	KK013534	24	24
KK012929	1	107	KK013064	17	17	KK013332	2	9	KK013534	25	26
KK012929	2	107	KK013065	31	4	KK013332	3	1	KK013587	8	37
KK012929	3	107	KK013066	34	2	KK013332	3	45	KK013588	8	43
KK012929	4	107	KK013066	35	6	KK013332	4	4	KK013598	8	37
KK012931	15	17	KK013066	37	4	KK013332	5	7	KK013599	8	37
KK012931	39	29	KK013067	29	Not ill.	KK013333	1	38	KK013627	30	1
KK012931	41	8	KK013068	29	9	KK013333	2	34	KK013630	8	23
KK012931	42	8	KK013069	29	3	KK013333	3	39	KK013636	8	51
KK012931	46	16	KK013070	29	4	KK013334	1	44	KK013637	8	16
KK012934	40	3	KK013082	36	4	KK013334	2	44	KK013638	8	52
KK012940	19	10	KK013083	33	Not ill.	KK013334	3	44	KK013639	8	15
KK012940	38	31	KK013100	40	47	KK013334	4	38	KK013644	8	38
KK012951	13	4	KK013100	44	9	KK013346	1	105	KK013680	22	31

ESLS / Part No Index



Part No.	Page	Pos No	Part No.	Page	Pos No	Part No.	Page	Pos No	Part No.	Page	Pos No
KK013680	23	17	KK015825	3	47	KK015830	39	37	KK016012	15	20
KK013689	22	32	KK015825	4	104	KK015830	41	15	KK016012	43	6
KK013689	23	18	KK015825	4	104	KK015830	46	19	KK016012	50	10
KK013700	41	13	KK015825	4	104	KK015830	47	23	KK016013	4	4
KK013700	42	13	KK015825	4	13	KK015830	49	32	KK016013	21	5
KK013701	50	8	KK015825	4	41	KK015830	51	1	KK016015	1	106
KK013773	46	17	KK015825	9	8	KK015834	1	11	KK016015	2	106
KK015806	23	19	KK015825	11	7	KK015834	2	5	KK016015	3	106
KK015806	24	25	KK015825	12	7	KK015834	3	19	KK016015	4	106
KK015806	25	27	KK015825	13	5	KK015834	47	1	KK016018	41	16
KK015806	46	18	KK015825	14	5	KK015834	52	19	KK016018	42	15
KK015806	47	31	KK015825	15	19	KK015841	12	18	KK016022	6	2
KK015806	48	9	KK015825	18	9	KK015841	18	11	KK016022	16	9
KK015806	49	37	KK015825	19	12	KK015841	19	14	KK016022	38	32
KK015813	4	22	KK015825	20	3	KK015841	20	5	KK016031	10	9
KK015813	4	22	KK015825	21	2	KK015841	43	4	KK016031	11	10
KK015816	12	19	KK015825	38	41	KK015899	22	34	KK016038	43	7
KK015817	4	101	KK015825	39	10	KK016000	14	7	KK016045	6	3
KK015817	4	17	KK015825	41	14	KK016000	40	2	KK016049	6	4
KK015817	4	7	KK015825	42	14	KK016001	43	5	KK016049	18	13
KK015817	4	7	KK015825	43	3	KK016002	32	10	KK016063R	35	7
KK015817	4	8	KK015825	47	3	KK016004	9	9	KK016063R	36	5
KK015817	4	8	KK015825	50	9	KK016004	10	8	KK016404	28	5
KK015817	7	3	KK015830	5	9	KK016004	11	8	KK016522	33	12
KK015817	10	7	KK015830	6	1	KK016005	16	8	KK016523	33	9
KK015817	15	18	KK015830	7	4	KK016006	21	4	KK016576	27	Not ill.
KK015817	17	18	KK015830	13	6	KK016007	7	5	KK016577	27	3
KK015817	19	11	KK015830	14	6	KK016008	18	12	KK016578	27	2
KK015817	22	33	KK015830	18	10	KK016008	47	9	KK016579	27	7
KK015817	38	40	KK015830	19	13	KK016008	49	29	KK016586	28	not ill.
KK015817	39	33	KK015830	20	4	KK016010	38	24	KK016587	28	2
KK015825	1	46	KK015830	21	3	KK016012	7	6	KK016588	28	3
KK015825	2	46	KK015830	38	42	KK016012	11	9	KK016594	41	17

ESLS / Part No Index



Part No.	Page	Pos No	Part No.	Page	Pos No	Part No.	Page	Pos No	Part No.	Page	Pos No
KK016594	42	16	KK029920	43	8	KK032460	49	18	KK032735	42	20
KK016598	34	3	KK029920	44	12	KK032470	16	13	KK032735	47	2
KK016598	35	8	KK029920	46	20	KK032590	8	5	KK032735	50	14
KK016598	36	6	KK029920	50	12	KK032623	49	12	KK032740	1	104
KK016598	37	5	KK029927	18	15	KK032624	49	11	KK032740	2	104
KK016599	34	4	KK029927	19	17	KK032640	43	9	KK032740	3	104
KK016599	35	9	KK031019	49	6	KK032655	18	17	KK032740	4	104
KK029715	39	7	KK031530	38	18	KK032655	19	18	KK032740	38	11
KK029715	50	11	KK032001	33	16	KK032655	47	7	KK032740	41	21
KK029718	41	18	KK032001	37	7	KK032655R	7	9	KK032740	42	21
KK029718	42	17	KK032002	30	2	KK032665R	7	10	KK032740	50	15
KK029727	7	7	KK032002	31	11	KK032702	40	45	KK032745	18	19
KK029727	8	31	KK032007	33	11	KK032702	50	13	KK032745	20	6
KK029918	19	15	KK032010	46	21	KK032702R	9	11	KK032745	39	15
KK029918	33	3	KK032013	46	22	KK032702R	11	12	KK032745	40	41
KK029918	35	10	KK032040	34	5	KK032710	49	38	KK032745	41	22
KK029918	36	7	KK032050	16	11	KK032716	45	1	KK032750	1	104
KK029918	37	6	KK032051	17	20	KK032719	45	1	KK032750	2	104
KK029920	7	8	KK032106	29	11	KK032725	1	18	KK032750	2	17
KK029920	9	10	KK032110	27	5	KK032725	2	22	KK032750	3	104
KK029920	10	10	KK032310	49	36	KK032725	17	21	KK032750	4	104
KK029920	11	11	KK032330	23	20	KK032725	18	18	KK032750	4	13
KK029920	15	21	KK032330	24	26	KK032725	19	19	KK032750	38	5
KK029920	16	10	KK032330	25	28	KK032727	45	1	KK032750	40	13
KK029920	17	19	KK032330	49	24	KK032730	3	31	KK032754	20	7
KK029920	18	14	KK032335	49	30	KK032735	1	8	KK032755	5	23
KK029920	19	16	KK032340	18	16	KK032735	2	17	KK032755	18	20
KK029920	38	4	KK032340	52	10	KK032735	3	22	KK032755	19	21
KK029920	39	9	KK032391	41	20	KK032735	15	22	KK032760	13	7
KK029920	40	12	KK032391	42	19	KK032735	16	14	KK032760	21	6
KK029920	40	21	KK032435	49	18	KK032735	17	22	KK032760	40	25
KK029920	41	19	KK032440	16	12	KK032735	19	20	KK032760	40	45
KK029920	42	18	KK032440	52	13	KK032735	40	28	KK032762	6	5

ESLS / Part No Index



Part No.	Page	Pos No	Part No.	Page	Pos No	Part No.	Page	Pos No	Part No.	Page	Pos No
KK032765	1	104	KK032820	20	9	KK032870	14	10	KK033107	2	37
KK032765	2	104	KK032822	45	17	KK032870	15	26	KK033107	4	7
KK032765	3	104	KK032824	13	9	KK032870	19	27	KK033107	5	14
KK032765	4	104	KK032824	14	9	KK032870	40	40	KK033111	4	8
KK032765	13	8	KK032830	10	11	KK032875	18	23	KK033116	4	7
KK032765	40	14	KK032830	16	15	KK032880	18	24	KK033117	4	8
KK032765	43	10	KK032830	19	24	KK032880	19	28	KK033118	3	6
KK032765	45	13	KK032835	47	33	KK032885	18	25	KK033119	3	7
KK032765	50	16	KK032836	45	18	KK032885	19	29	KK033175	1	33
KK032770	14	8	KK032839	19	25	KK032890	19	30	KK033175	2	30
KK032770	40	40	KK032840	7	11	KK032890	51	3	KK033175	3	35
KK032775	1	104	KK032840	9	14	KK032895	19	31	KK033175	4	29
KK032775	2	104	KK032840	10	12	KK032920	45	16	KK033251	1	32
KK032775	3	104	KK032840	52	17	KK032921	20	11	KK033251	2	31
KK032775	4	104	KK032845	6	7	KK032925	45	15	KK033251	3	34
KK032775	9	12	KK032845	13	10	KK032950	19	32	KK033251	4	30
KK032775	19	22	KK032845	15	24	KK032956	14	11	KK033256	1	32
KK032775	39	19	KK032845	20	10	KK032960	19	33	KK033256	2	31
KK032780	14	8	KK032845	39	15	KK032970	18	26	KK033256	3	34
KK032780	40	35	KK032845	40	41	KK032980	18	27	KK033256	4	30
KK032785	9	13	KK032845	41	23	KK032980	43	12	KK033286	1	32
KK032785	15	23	KK032845	46	23	KK032995	19	34	KK033286	1	45
KK032785	39	19	KK032850	9	15	KK033004	3	26	KK033286	2	32
KK032790	18	21	KK032850	13	11	KK033006	4	22	KK033286	3	46
KK032794	20	8	KK032850	38	5	KK033006	5	28	KK033286	4	40
KK032795	5	26	KK032850	49	26	KK033006	12	3	KK033295	1	32
KK032795	12	8	KK032855	18	22	KK033007	12	23	KK033295	1	45
KK032795	19	23	KK032855	19	26	KK033016	4	22	KK033295	2	32
KK032795	50	17	KK032860	51	2	KK033100	1	5	KK033295	3	46
KK032807	6	6	KK032860R	7	12	KK033100	2	4	KK033295	4	40
KK032807	40	45	KK032865	6	8	KK033100	3	12	KK033306	48	8
KK032807	43	11	KK032865	14	10	KK033107	1	19	KK033306	49	8
KK032811	14	9	KK032865	15	25	KK033107	2	10	KK033315	47	20

ESLS / Part No Index



Part No.	Page	Pos No	Part No.	Page	Pos No	Part No.	Page	Pos No	Part No.	Page	Pos No
KK033321	22	35	KK035021R	7	14	KK053392	5	13	KK061943	22	40
KK033321	24	27	KK035025	21	7	KK056062	5	33	KK061943	24	30
KK033321	25	29	KK035031	10	13	KK056083	5	29	KK061943	25	32
KK033325	18	28	KK035060	6	9	KK056856	5	29	KK061947	18	31
KK033325	22	36	KK035072	6	10	KK056873	12	4	KK061947	49	17
KK033325	23	21	KK035114	9	16	KK057063	7	19	KK061978	23	23
KK033325	24	28	KK035114	10	14	KK057064	7	20	KK061978	24	31
KK033325	25	30	KK035114	11	13	KK057065	7	21	KK061978	25	33
KK033325	46	24	KK035165	7	15	KK057066	7	22	KK062020	6	13
KK033416	17	23	KK035175	11	14	KK057067	7	23	KK062025	2	12
KK033416	46	25	KK035178	40	10	KK057068	7	24	KK062025	3	32
KK033430	40	54	KK035209	7	16	KK057089	7	25	KK063090	1	100
KK033516	23	22	KK035210	7	17	KK060108	7	26	KK063090	1	2
KK033516	24	29	KK035215	6	11	KK060109	7	27	KK063090	2	100
KK033516	25	31	KK050373	5	Not ill.	KK060119	7	28	KK063090	2	25
KK033520	22	37	KK050374	5	Not ill.	KK060449	38	Not ill.	KK063090	3	100
KK033525	8	27	KK050706	7	18	KK060469	38	Not ill.	KK063090	3	3
KK033535	8	39	KK053090	1	100	KK060657	12	10	KK063090	4	100
KK033535	22	38	KK053090	1	2	KK060703	7	29	KK063090	4	16
KK033625	15	27	KK053090	2	100	KK061280	7	30	KK063090	5	17
KK033630	15	28	KK053090	2	25	KK061291	7	31	KK063091	1	21
KK033630	17	24	KK053090	3	100	KK061515	6	12	KK063091	4	18
KK033630	39	20	KK053090	3	3	KK061637R	18	29	KK063092	1	21
KK033670	38	17	KK053090	4	100	KK061637R	19	35	KK063092	4	18
KK033670	41	24	KK053090	4	16	KK061637R	20	12	KK063388	1	14
KK033670	42	22	KK053090	5	17	KK061899	38	2	KK063388	2	7
KK034225	12	13	KK053330	5	18	KK061899	39	2	KK063388	3	29
KK034228	5	20	KK053340	5	13	KK061899	40	16	KK063607	1	35
KK034228	5	25	KK053387	1	14	KK061899	41	25	KK063607	2	35
KK034228	12	9	KK053387	2	7	KK061899	42	23	KK063801	1	9
KK034250	12	14	KK053387	3	29	KK061899	45	23	KK063801	1	9
KK034446	12	17	KK053390	5	18	KK061940	18	30	KK064055	38	13
KK035020R	7	13	KK053391	5	21	KK061942	22	39	KK064078	38	10

ESLS / Part No Index



Part No.	Page	Pos No	Part No.	Page	Pos No	Part No.	Page	Pos No	Part No.	Page	Pos No
KK064079	41	26	KK066182	10	18	KK068251	41	31	KK071259	20	14
KK064079	42	24	KK066190R	10	19	KK068251	42	29	KK071270R	6	14
KK064086	38	12	KK066810	5	31	KK068689	49	1	KK071271R	6	15
KK064086	41	27	KK066811	12	11	KK068690	49	1	KK071272R	6	16
KK064086	42	25	KK066811	12	11	KK068691	49	1	KK071273R	6	17
KK064087R	38	9	KK066812	12	11	KK070388	2	19	KK071274	6	18
KK064087R	41	28	KK066830	5	29	KK070389	2	19	KK071275	6	19
KK064087R	42	26	KK066831	5	31	KK070390	1	9	KK071492	49	2
KK064088	38	15	KK066832	5	27	KK070391	1	9	KK071493	47	25
KK064089R	38	14	KK066861	5	24	KK070392	2	19	KK071493	49	2
KK064089R	41	29	KK066861	12	21	KK070393	2	19	KK071664	18	33
KK064089R	42	27	KK066868	12	5	KK070394	1	9	KK071664	19	37
KK064206	38	6	KK066869	12	5	KK070395	1	9	KK071664	20	15
KK064206	40	68	KK066873	12	4	KK070396	2	19	KK071710	21	8
KK064206	41	30	KK066880	12	2	KK070397	2	19	KK071711R	21	9
KK064206	42	28	KK066881	12	2	KK070398	2	19	KK071712R	21	10
KK064319	14	12	KK067016	7	32	KK070399	2	19	KK071713	21	11
KK064320	14	12	KK067025	7	33	KK070459	38	29	KK071714R	21	12
KK064320	14	13	KK067026	7	34	KK070491	40	Not ill.	KK071729	38	35
KK064321	14	12	KK067031R	7	35	KK070493	40	Not ill.	KK071729	39	23
KK064321	14	13	KK067031R	17	25	KK070494	38	33	KK071740	38	34
KK064323	14	12	KK067039	7	36	KK070639	12	12	KK071794	13	13
KK064323	14	13	KK067051	7	37	KK070640	1	16	KK071794	14	16
KK064343R	13	12	KK067059	7	38	KK070640	2	2	KK071904R	17	26
KK064343R	14	14	KK067075	7	39	KK070641	1	16	KK071912	13	14
KK064360R	14	15	KK067076	7	40	KK070641	2	2	KK071917	15	29
KK064370	14	12	KK067077	7	41	KK070642	1	16	KK071918	15	30
KK064370	14	13	KK067080	7	42	KK070642	2	2	KK071934	15	31
KK066170	10	15	KK067083	8	30	KK070653	12	16	KK071935	15	32
KK066175R	10	16	KK067088	8	24	KK070805	45	3	KK071942R	19	38
KK066175R	11	15	KK067090	7	43	KK071256	18	32	KK072158	50	18
KK066178	9	17	KK067092	7	44	KK071256	20	13	KK072176	22	41
KK066178	10	17	KK068251	40	30	KK071259	19	36	KK072178	22	42

ESLS / Part No Index



Part No.	Page	Pos No	Part No.	Page	Pos No	Part No.	Page	Pos No	Part No.	Page	Pos No
KK072240	40	57	KK072717	39	8	KK073031	4	33	KK073063	2	11
KK072250R	15	33	KK072718	39	5	KK073031	5	22	KK073063	3	5
KK072264	15	34	KK072801	39	28	KK073040	1	26	KK073063	4	23
KK072265R	15	35	KK072806	39	27	KK073040	5	16	KK073064	2	11
KK072268	15	36	KK072809	39	32	KK073041	1	26	KK073064	3	5
KK072269	13	15	KK073000	1	1	KK073041	5	16	KK073064	4	23
KK072270	15	37	KK073000	5	19	KK073042	1	26	KK073065	2	11
KK072271	15	38	KK073001	1	1	KK073042	4	32	KK073065	3	5
KK072272	13	16	KK073001	5	19	KK073042	5	16	KK073065	4	23
KK072274	13	17	KK073002	1	1	KK073043	1	26	KK073080	2	26
KK072275	13	18	KK073002	4	19	KK073043	4	32	KK073080	3	2
KK072279	13	19	KK073002	5	19	KK073043	5	16	KK073080	4	19
KK072280	13	20	KK073003	1	1	KK073044	1	26	KK073081	2	26
KK072281	13	21	KK073003	4	19	KK073044	4	32	KK073081	3	2
KK072283	15	39	KK073003	5	19	KK073044	5	16	KK073081	4	19
KK072291	13	22	KK073004	1	1	KK073045	1	26	KK073091	1	21
KK072292	15	40	KK073004	4	19	KK073045	4	32	KK073091	2	27
KK072454	39	Not ill.	KK073004	5	19	KK073045	5	16	KK073091	3	4
KK072455	39	25	KK073005	1	1	KK073054	2	26	KK073091	4	18
KK072458	39	24	KK073005	4	19	KK073054	3	2	KK073092	1	21
KK072468	39	17	KK073005	5	19	KK073054	4	19	KK073092	2	27
KK072469	39	22	KK073006	1	1	KK073055	2	26	KK073092	3	4
KK072519	15	41	KK073006	4	19	KK073055	3	2	KK073092	4	18
KK072521	15	42	KK073006	5	19	KK073055	4	19	KK073102	5	1
KK072535	13	23	KK073007	1	1	KK073056	2	26	KK073103	5	1
KK072588	39	25	KK073007	4	19	KK073056	3	2	KK073224	2	8
KK072589	39	Not ill.	KK073007	5	19	KK073056	4	19	KK073225	2	8
KK072606R	18	34	KK073008	1	1	KK073057	2	26	KK073227	2	15
KK072617R	19	39	KK073009	1	1	KK073057	3	2	KK073228	2	15
KK072618R	19	40	KK073030	1	27	KK073057	4	19	KK073230	2	15
KK072621R	18	35	KK073030	4	33	KK073062	2	11	KK073230	4	21
KK072634	14	18	KK073030	5	22	KK073062	3	5	KK073231	2	15
KK072635R	18	36	KK073031	1	27	KK073062	4	23	KK073231	4	21

ESLS / Part No Index



Part No.	Page	Pos No	Part No.	Page	Pos No	Part No.	Page	Pos No	Part No.	Page	Pos No
KK073236	2	8	KK073287	1	6	KK073418	2	14	KK073634	1	102
KK073237	2	8	KK073290	1	6	KK073435	2	13	KK073634	2	102
KK073239	2	16	KK073290	2	8	KK073436	2	13	KK073634	3	102
KK073240	2	16	KK073291	1	6	KK073440	2	13	KK073634	4	102
KK073241	2	15	KK073291	2	8	KK073441	2	13	KK073635	1	102
KK073242	2	15	KK073300	1	16	KK073464	3	9	KK073635	2	102
KK073250	1	7	KK073300	2	2	KK073465	3	9	KK073635	3	102
KK073250	5	2	KK073300	4	1	KK073470	3	9	KK073635	4	102
KK073251	1	7	KK073301	1	16	KK073471	3	9	KK073800	1	12
KK073251	5	2	KK073301	2	2	KK073607	1	35	KK073800	2	6
KK073254	5	15	KK073301	4	1	KK073607	2	35	KK073800	3	18
KK073255	5	15	KK073310	1	15	KK073608	1	10	KK073801	1	12
KK073256	1	7	KK073310	2	3	KK073608	2	21	KK073801	2	6
KK073256	4	21	KK073311	1	15	KK073608	3	23	KK073801	3	18
KK073257	1	7	KK073311	2	3	KK073608	4	12	KK073803	1	9
KK073257	4	21	KK073328	3	20	KK073608	5	5	KK073803	1	9
KK073260	1	6	KK073329	3	20	KK073609	1	23	KK073804	2	19
KK073261	1	6	KK073338	3	17	KK073609	2	20	KK073804	2	19
KK073263	1	6	KK073339	3	17	KK073609	3	24	KK073805	2	19
KK073264	1	6	KK073350	3	27	KK073609	4	5	KK073807	1	12
KK073266	1	24	KK073351	3	27	KK073609	5	4	KK073808	1	12
KK073266	2	16	KK073352	3	28	KK073614	1	37	KK073815	5	8
KK073267	1	24	KK073353	3	28	KK073614	2	38	KK073817	5	10
KK073267	2	16	KK073354	3	37	KK073614	3	38	KK073818	5	11
KK073272	3	13	KK073406	1	3	KK073614	4	14	KK073819	5	Not ill.
KK073273	3	13	KK073407	1	3	KK073615	1	30	KK073826	2	19
KK073275	3	16	KK073411	1	3	KK073615	2	29	KK073826	2	19
KK073276	3	16	KK073411	5	3	KK073615	3	25	KK073826	3	21
KK073278	3	8	KK073412	1	3	KK073615	4	3	KK073829	2	19
KK073279	3	8	KK073412	5	3	KK073616	1	30	KK073829	3	21
KK073280	1	6	KK073414	1	25	KK073616	2	29	KK073830	1	9
KK073281	1	6	KK073415	1	25	KK073616	3	25	KK073831	1	9
KK073286	1	6	KK073417	2	14	KK073616	4	3	KK073831	2	19

ESLS / Part No Index



Part No.	Page	Pos No	Part No.	Page	Pos No	Part No.	Page	Pos No	Part No.	Page	Pos No
KK073842	2	19	KK074395	14	13	KK074839	41	32	KK074912	20	19
KK073843	5	Not ill.	KK074396	14	12	KK074840	40	Not ill.	KK074913	20	20
KK073844	5	11	KK074396	14	13	KK074841R	43	14	KK074914	15	44
KK073845	5	8	KK074397R	14	15	KK074844	43	15	KK074919	18	37
KK073991	40	51	KK074623	39	16	KK074846	45	22	KK074919	19	41
KK074037	40	51	KK074624	40	52	KK074856R	43	16	KK074924	18	38
KK074041	40	Not ill.	KK074624	43	13	KK074862R	43	17	KK074927	18	39
KK074042	40	44	KK074690	40	50	KK074864	43	18	KK074928R	18	40
KK074042	40	50	KK074693	40	50	KK074865	43	19	KK074930	9	18
KK074043	40	44	KK074695	39	14	KK074866R	43	20	KK074931	9	19
KK074043	40	50	KK074696	39	18	KK074867R	41	33	KK074936	9	20
KK074047	40	52	KK074744	20	16	KK074867R	42	30	KK074937	9	21
KK074052	38	29	KK074753	40	57	KK074867R	46	26	KK074938	9	22
KK074052	39	25	KK074765	20	17	KK074873	41	34	KK074939	9	23
KK074053	38	30	KK074770	39	32	KK074874R	41	35	KK074961	40	38
KK074054	38	35	KK074780	40	50	KK074874R	42	31	KK074964	40	39
KK074054	39	23	KK074782	40	50	KK074874R	46	27	KK074970	45	7
KK074055	38	13	KK074784	40	38	KK074875	43	21	KK074971	45	6
KK074065	40	27	KK074785	40	39	KK074876	41	36	KK075812	51	4
KK074070	40	31	KK074786	40	38	KK074876	42	32	KK075826R	18	41
KK074079	40	11	KK074787	40	39	KK074881	45	26	KK075827R	18	42
KK074080	40	9	KK074790	38	Not ill.	KK074882	45	10	KK075836	18	43
KK074093	40	48	KK074791	38	Not ill.	KK074884	45	7	KK075837	18	44
KK074319	15	43	KK074792	39	Not ill.	KK074885	45	6	KK075842	40	42
KK074319	16	16	KK074793	39	Not ill.	KK074886	45	25	KK075845	40	43
KK074319	21	13	KK074794	38	Not ill.	KK074887	45	24	KK075847	40	38
KK074332	13	24	KK074795	38	Not ill.	KK074888	45	8	KK075849	40	39
KK074332	14	17	KK074796	40	Not ill.	KK074889	45	25	KK075871	18	45
KK074354	14	18	KK074797	40	Not ill.	KK074890	45	24	KK075871	19	42
KK074377	14	17	KK074799	38	Not ill.	KK074893	43	22	KK075872	18	46
KK074378	14	14	KK074799	39	Not ill.	KK074902	20	18	KK075872	19	43
KK074379	14	16	KK074799	40	Not ill.	KK074910R	6	20	KK075880	18	47
KK074395	14	12	KK074838	43	13	KK074911R	6	21	KK075880	19	44

ESLS / Part No Index



Part No.	Page	Pos No	Part No.	Page	Pos No	Part No.	Page	Pos No	Part No.	Page	Pos No
KK075889	20	21	KK076407R	9	25	KK078389	49	1	KK081552R	14	20
KK075903	18	48	KK076407R	10	20	KK078608	40	33	KK081555R	16	21
KK075903	19	45	KK076407R	11	18	KK079063	43	23	KK081557R	17	35
KK075904	18	49	KK076410R	9	26	KK079596	19	48	KK081560R	14	20
KK075904	19	46	KK076410R	10	21	KK080980	1	9	KK081562R	14	20
KK075906	18	50	KK076410R	11	19	KK080981	1	9	KK081565R	16	22
KK075906	19	47	KK076499R	9	27	KK080982	1	9	KK081566	23	24
KK075911	20	22	KK076499R	10	22	KK080983	1	9	KK081566	24	32
KK075934	18	51	KK076499R	11	20	KK081344	19	49	KK081566	25	34
KK075935	18	51	KK076515	9	28	KK081345R	19	50	KK081569R	17	36
KK075944	18	51	KK076527R	9	29	KK081369	20	23	KK081570R	17	37
KK075945	18	51	KK076652	50	33	KK081378	40	57	KK081571R	17	38
KK075950	18	52	KK076682	50	34	KK081378	40	57	KK081572R	17	39
KK075951	18	52	KK076691	51	5	KK081382R	19	51	KK081578	18	54
KK075960	18	52	KK076694	51	6	KK081383R	19	52	KK081578	19	54
KK075961	18	52	KK076711	50	35	KK081402	17	27	KK081579	18	55
KK076063	11	16	KK076716	50	36	KK081404	17	28	KK081579	19	55
KK076304	50	19	KK076812	12	1	KK081457R	17	29	KK081580R	14	21
KK076305	50	20	KK076813	12	1	KK081506	17	30	KK081581R	14	22
KK076307	50	21	KK076817	12	15	KK081527R	16	17	KK081582R	16	23
KK076308	50	22	KK076818	12	15	KK081531R	17	31	KK081583R	14	23
KK076310	50	23	KK076825	12	15	KK081532R	16	18	KK081587	15	46
KK076318	50	24	KK076826	12	15	KK081534R	14	19	KK081587	16	24
KK076319	50	25	KK076833	12	15	KK081535R	14	19	KK081588	15	47
KK076320	50	26	KK076834	12	15	KK081536R	17	32	KK081588	16	25
KK076322	50	27	KK076858	12	11	KK081539	16	19	KK081590	16	26
KK076348	50	28	KK076858	12	11	KK081540R	17	33	KK081593	23	25
KK076349	50	29	KK076859	12	11	KK081543	17	34	KK081593	24	33
KK076350	50	30	KK076872	12	12	KK081545	15	45	KK081593	25	35
KK076351	50	31	KK076943	12	2	KK081547	16	20	KK081599	17	40
KK076400R	9	24	KK076944	12	2	KK081549	18	53	KK081618	18	56
KK076400R	11	17	KK077013	50	37	KK081549	19	53	KK081622	21	14
KK076401	50	32	KK078225	8	24	KK081550R	14	20	KK081624R	21	15

ESLS / Part No Index



Part No.	Page	Pos No	Part No.	Page	Pos No	Part No.	Page	Pos No	Part No.	Page	Pos No
KK081773	18	57	KK083020R	2	43	KK083228	1	6	KK084106	40	5
KK081776	16	27	KK083020R	4	39	KK083229	1	6	KK084106	44	13
KK081777	16	28	KK083021R	1	43	KK083235	1	39	KK084107	40	46
KK081778	19	56	KK083021R	2	43	KK083235	2	40	KK084107	44	14
KK081779	19	57	KK083021R	4	39	KK083235	4	34	KK084110	40	9
KK081796	17	41	KK083022R	1	43	KK083235	5	32	KK084110	44	15
KK082646	19	58	KK083022R	2	43	KK083300	4	2	KK084111	40	48
KK082647	19	59	KK083022R	4	39	KK083301	4	2	KK084111	44	16
KK083010	1	42	KK083023R	1	43	KK083406	4	15	KK084140R	46	28
KK083011	1	42	KK083023R	2	43	KK083407	4	15	KK084144R	46	29
KK083012	2	42	KK083023R	4	39	KK083408	4	6	KK084145	46	30
KK083012	3	42	KK083090	1	41	KK083409	4	6	KK084146	46	31
KK083012	4	37	KK083090	2	41	KK083415	4	15	KK084170	46	32
KK083013	2	42	KK083090	3	41	KK083416	4	15	KK084177	46	33
KK083013	3	42	KK083090	4	36	KK083417	4	6	KK084178	46	34
KK083013	4	37	KK083091	1	40	KK083418	4	6	KK084179	46	35
KK083016R	1	43	KK083091	2	45	KK083802	4	11	KK084181R	46	36
KK083016R	2	43	KK083091	3	40	KK083803	4	10	KK084182R	46	37
KK083016R	3	43	KK083091	4	35	KK083804	4	11	KK084183R	46	38
KK083016R	4	39	KK083210	4	9	KK083805	4	11	KK084184R	46	39
KK083017R	1	43	KK083211	4	24	KK083806	4	11	KK084185	46	40
KK083017R	2	43	KK083212	4	25	KK083807	4	11	KK084187	46	41
KK083017R	3	43	KK083213	4	26	KK083808	4	11	KK084189	46	42
KK083017R	4	39	KK083214	4	27	KK083809	1	9	KK084190	46	43
KK083018R	1	43	KK083215	4	20	KK083810	1	9	KK084191	46	44
KK083018R	2	43	KK083216	4	20	KK084040	41	37	KK084194	46	45
KK083018R	3	43	KK083217	4	20	KK084040	42	33	KK084199	46	46
KK083018R	4	39	KK083218	4	20	KK084042	42	34	KK084320R	1	31
KK083019R	1	43	KK083220	4	9	KK084043	41	38	KK084320R	2	28
KK083019R	2	43	KK083221	4	24	KK084043	42	35	KK084320R	3	33
KK083019R	3	43	KK083222	4	25	KK084084	45	21	KK084320R	4	28
KK083019R	4	39	KK083223	4	26	KK084100	40	Not ill.	KK084321R	1	31
KK083020R	1	43	KK083224	4	27	KK084101	40	Not ill.	KK084321R	2	28

ESLS / Part No Index



Part No.	Page	Pos No	Part No.	Page	Pos No	Part No.	Page	Pos No	Part No.	Page	Pos No
KK084321R	3	33	KK085326	19	64	KK085840	19	82	KK088064	41	42
KK084321R	4	28	KK085327	19	64	KK086080	10	23	KK088064	42	41
KK084602R	38	8	KK085328	19	64	KK086087R	9	30	KK088169	47	24
KK084607	39	14	KK085329	19	65	KK086087R	10	24	KK094206	38	33
KK084608	39	32	KK085336R	19	66	KK086087R	11	21	KK094207	38	33
KK084610R	40	23	KK085337R	19	67	KK086091	9	31	KK126095	16	29
KK084623	41	39	KK085338R	19	68	KK086091	11	22	KK199788	47	10
KK084625	42	36	KK085347R	19	69	KK086100	9	32	KK300803	22	43
KK084640	40	24	KK085354	19	62	KK086100	10	25	KK300803	32	Not ill.
KK084641	40	67	KK085355	19	63	KK086100	11	23	KK301223	19	84
KK084645	40	66	KK085356	19	63	KK086101R	9	33	KK308110	32	8
KK084653	45	9	KK085357	19	64	KK086101R	10	26	KK308111	32	3
KK084670R	43	19	KK085358	19	64	KK086101R	11	24	KK308132	32	9
KK084690	42	37	KK085359	19	65	KK086103	11	25	KK308134	32	1
KK084692	42	38	KK085361	19	70	KK086167	9	34	KK351139	50	38
KK085076	12	20	KK085362	19	71	KK086167	11	26	KK351140	50	39
KK085183	43	20	KK085363	19	72	KK086170	10	27	KK351145	50	40
KK085224	18	58	KK085364	19	73	KK086171	10	28	KK351148	15	48
KK085247	18	59	KK085366	19	74	KK086801R	12	22	KK351148	16	30
KK085278R	19	60	KK085367	19	75	KK088061	19	83	KK351148	18	60
KK085307	19	61	KK085368	19	76	KK088062	38	1	KK351148	50	41
KK085308	19	62	KK085370	19	77	KK088062	39	1	KK351192	19	85
KK085309	19	62	KK085372	19	78	KK088062	40	15	KK351200	18	61
KK085314	19	63	KK085373	19	79	KK088062	41	40	KK351202	18	62
KK085315	19	63	KK085373	23	26	KK088062	42	39	KK351203	18	63
KK085316	19	63	KK085373	24	34	KK088063	38	3	KK351226	19	86
KK085317	19	63	KK085373	25	36	KK088063	39	3	KK351230	19	87
KK085318	19	63	KK085374	19	80	KK088063	40	17	KK351231	19	88
KK085319	19	63	KK085374	23	27	KK088063	41	41	KK352145	40	18
KK085321	19	64	KK085374	24	35	KK088063	42	40	KK352394	52	1
KK085322	19	64	KK085374	25	37	KK088064	38	43	KK352404	8	29
KK085323	19	64	KK085375	19	73	KK088064	39	3	KK352405	8	4
KK085324	19	65	KK085830	19	81	KK088064	40	69	KK352478	8	4

ESLS / Part No Index



Part No.	Page	Pos No	Part No.	Page	Pos No	Part No.	Page	Pos No	Part No.	Page	Pos No
KK353541	39	6	KK353681	26	18	KK354059	48	3	KK354520	52	1
KK353577	39	31	KK353681	29	Not ill.	KK354063	48	13	KK354577R	30	4
KK353577	40	18	KK353682	29	1	KK354064	48	13	KK354578R	30	5
KK353585	34	6	KK353683	29	5	KK354077	49	25	KK354579R	30	6
KK353609	26	17	KK353684	29	2	KK354078	49	25	KK354580R	30	7
KK353626	52	1	KK353685	29	7	KK354090	48	13	KK354581R	30	8
KK353630R	46	47	KK353687	31	1	KK354091	49	25	KK354587	27	1
KK353632	22	44	KK353689	33	15	KK354092	49	16	KK354588	27	4
KK353632	33	Not ill.	KK353907	8	29	KK354095	49	9	KK354589	27	6
KK353641R	36	8	KK353907	28	not ill.	KK354096	49	28	KK354709	22	46
KK353642	33	4	KK353920	39	31	KK354310	47	21	KK354709	34	8
KK353643	33	10	KK353920	40	18	KK354313	47	32	KK354718	25	39
KK353644	33	6	KK353947	28	1	KK354314	47	5	KK354718	36	10
KK353645	33	17	KK353948	28	4	KK354315	47	13	KK354719	23	29
KK353646	33	14	KK354008	47	11	KK354316	47	12	KK354719	24	37
KK353664	23	28	KK354011	47	16	KK354317	47	17	KK354719	35	12
KK353664	24	36	KK354011	48	10	KK354318	47	8	KK354751R	35	13
KK353664	25	38	KK354014	49	4	KK354320	47	6	KK354751R	36	11
KK353664	37	8	KK354017	47	27	KK354321	47	22	KK354754R	34	9
KK353668	31	5	KK354017	49	2	KK354324	49	34	KK354755	34	10
KK353669	31	2	KK354018	47	26	KK354325	47	18	KK354762	34	11
KK353670	31	9	KK354018	49	2	KK354327	47	28	KK354762	35	14
KK353671R	37	9	KK354028	49	13	KK354328	47	30	KK354793R	36	12
KK353672R	37	10	KK354029	49	13	KK354340	49	25	KK354794R	36	13
KK353673R	37	11	KK354030	49	13	KK354347	47	14	KK354797R	35	15
KK353675R	34	7	KK354040	48	6	KK354347	48	1	KK354798R	35	16
KK353675R	35	11	KK354040	48	7	KK354348	47	15	KK356042R	17	42
KK353675R	36	9	KK354041	49	16	KK354348	48	2	KK356042R	41	44
KK353675R	37	12	KK354042	49	14	KK354511R	41	43	KK356042R	42	43
KK353676	29	12	KK354046	48	13	KK354511R	42	42	KK356042R	46	49
KK353676	31	12	KK354047	49	25	KK354515	30	3	KK361116	50	42
KK353680	22	45	KK354048	49	25	KK354515	46	48	KK361143	19	89
KK353680	31	Not ill.	KK354049	49	25	KK354520	27	Not ill.	KK709980	48	11

ESLS / Part No Index

Part No.	Page	Pos No			
KK709982	48	12			
UH333791	49	5			
UH414216	48	4			
UH414217	48	5			
UH440775	48	13			
UH440780	47	29			
UH440780	48	14			
UH440780	49	35			



ESLS

ES13001,LS2246 < Mach. ID <= =>

Kverneland Group Operations Norway AS
Kverneland Klepp
\nN-4355 Kverneland\nNorway
+47 51429000
+47 51429001

© Kverneland Group

All rights reserved. No parts of this book may be reproduced, stored in a database or retrieval system, or published in any form or in any way, electronically, mechanically, optically, by print, photo print, microfilm (including micro and macro fiche), or any other means, including all video and CD systems, without prior written permission from the publisher.

Print date: 2007-01-30

