

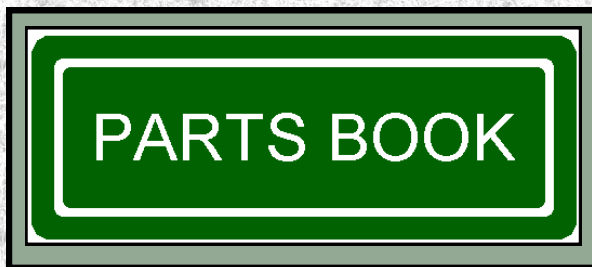


42-SERIES



4200, 4200LP STANDARD 4250, 4250LP HEAVY DUTY POULTRY HOUSE CLEANER STANDARD & LOW PROFILE MODELS

TO BE USED FOR MACHINES FROM 2002 TO 2014

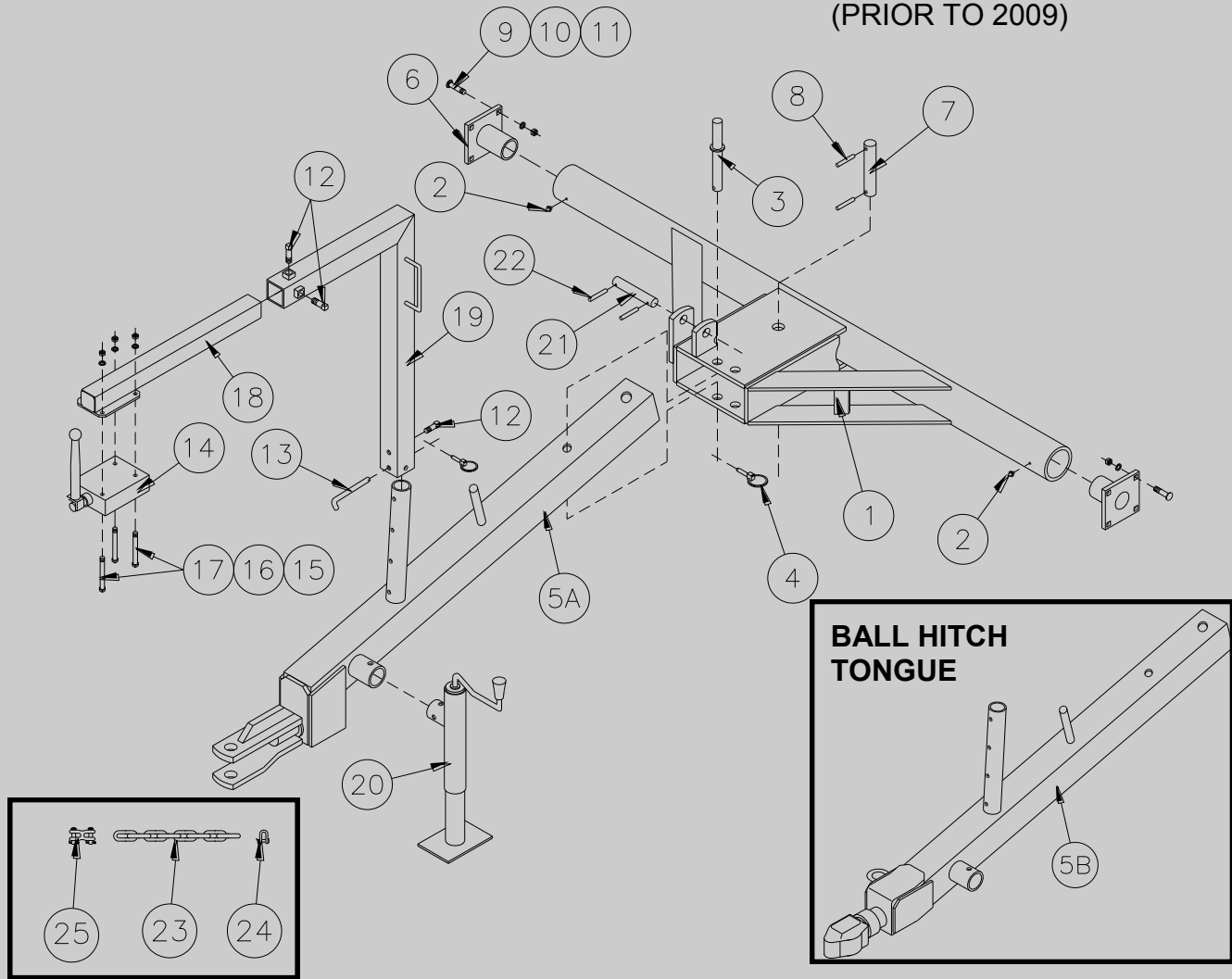


PART NO. 42-PB-02
Printing Date SEPT 2015

TABLE OF CONTENTS

UPPER AND LOWER TONGUE (Prior to 2009).....	2-3
PUMP/GEAR BOX & TORGUE ARM.....	3
UPPER AND LOWER TONGUE (2009 to Present).....	4-5
SAFETY CHAIN.....	5
MANUAL FLOOR CHAIN CONTROLS (2009 to Present).....	6
CONTROL VALVE HYDRAULICS.....	7
ELECTRICAL FLOOR CHAIN CONTROLS.....	8
HYDRAULIC SCHEMATIC FOR FLOOR CHAIN CONTROL.....	9
WIRING SCHEMATIC FOR FLOOR CHAIN HARNESS.....	10
FLOOR CHAIN CONTROL HARNESS.....	11
PTO PUMP HYDRAULICS.....	12
FRONT COMPONENTS OF CLEANER.....	13
CONTROL VALVE.....	14
PHC PUMP GEAR BOX (Breakdown).....	14
GEAR PUMP (Breakdown).....	15
FLOW CONTROL & FEEDER REEL MOTOR HYDRAULICS.....	16
FEEDER REEL MOTOR (Breakdown).....	17
RESERVOIR PLUMBING.....	18-19
HYDRAULIC CYLINDER, 3 X 6 (Energy) (Prior to 2014).....	20
HYDRAULIC CYLINDER, 3 X 6 X 1.25 (Bailey) (2014 to Present).....	21
FEEDER REELS (PRIOR TO 2009).....	21
FEEDER REELS (2009 TO PRESENT).....	22
CONVERYOR TROUGH AND IDLER SHAFT.....	23
FEEDER REEL BEARINGS AND DRIVES.....	24-25
UNLOADER DRIVES & UNLOADER REEL MOTOR (Breakdown).....	26-27
REAR TANK.....	28-29
REAR TANK DOOR & PLUMBING.....	30-33
REAR GUARD.....	33
HYDRAULIC CYLINDERS, 2 X 16 & 2 X 10 (Energy) (Prior to 2014).....	34
HYDRAULIC CYLINDERS, 2 X 16 & 2 X 10 (Bailey) (2014 to Present).....	35
CONVEYOR SIFTER FRAME.....	36-37
SIFTER MOTOR HYDRAULICS.....	38-39
SIFTER FRAME POLY PANELS.....	39
HOLD DOWN BLOCKS KIT.....	40
BUMP PADS.....	40
SIFTER MOTOR (Breakdown).....	41
LEVELER FRAME.....	42-43
UNLOADER CHAINS AND SHAFTS.....	44
LEVELER FRAME BARS AND CHAIN.....	45-46
LEVELER MOTOR HYDRAULICS.....	47
LEVELER MOTOR (Breakdown).....	48
FRONT LOWER SHIELDS.....	49
FRONT UPPER SHIELDS.....	50
REAR SHIELDS.....	51
TANDEM ARM, 8 PLY & 12 PLY.....	52-53
TANDEM AXLE.....	53
SINGLE WHEEL, 8 PLY & 12 PLY.....	54-55
SINGLE AXLE.....	55
SPREADER FRAME ASSEMBLY.....	56-57
SPREADER V-DIVERTER.....	57
4200 PLUMBING SCHEMATIC.....	58-59
4250 PLUMBING SCHEMATIC.....	60-61
TONGUE CYLINDER AND HOSES.....	62
DEPTH CONTROL DEVICE.....	62

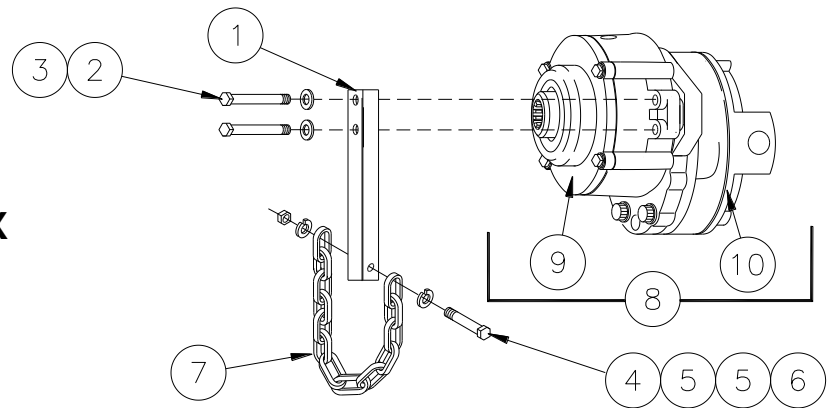
UPPER AND LOWER TONGUE (PRIOR TO 2009)



ITEM	PART NO	SERIAL NO OR YR	DESCRIPTION	QTY	
				STD	HVY
1	42-080-004		TONGUE, UPPER	1	1
2	02-050-005		FITTING, 1/4-28 STRT	2	2
3	42-080-060		PIN, POSITION	1	1
4	02-050-062		PIN, 1/4 X 1 5/8 LYNCH	1	1
5A	42-080-124		TONGUE, LOWER 1996	1	-
5B	42-080-134		TONGUE, BALL HITCH	-	1
6	33-080-345		PIVOT, UPPER TONGUE	2	2
7	42-026-004		PIN, SWIVEL	1	1
8	42-050-010		PIN, 3/8 X 2 ROLL	2	2
9	52-050140		CARRIAGE SCREW, 1/2 X 1 1/2 G5 P	8	8
10	66-010250		LOCKWASHER, 1/2 PLT	10	8
11	68-010250		HEX NUT, 1/2 PLT	10	8
12	54-010251		SETSCREW, 1/2 X 1 SQ HD CUPPT	3	3
13	04-050-134		PIN, 1/2" BENT HITCH	1	1

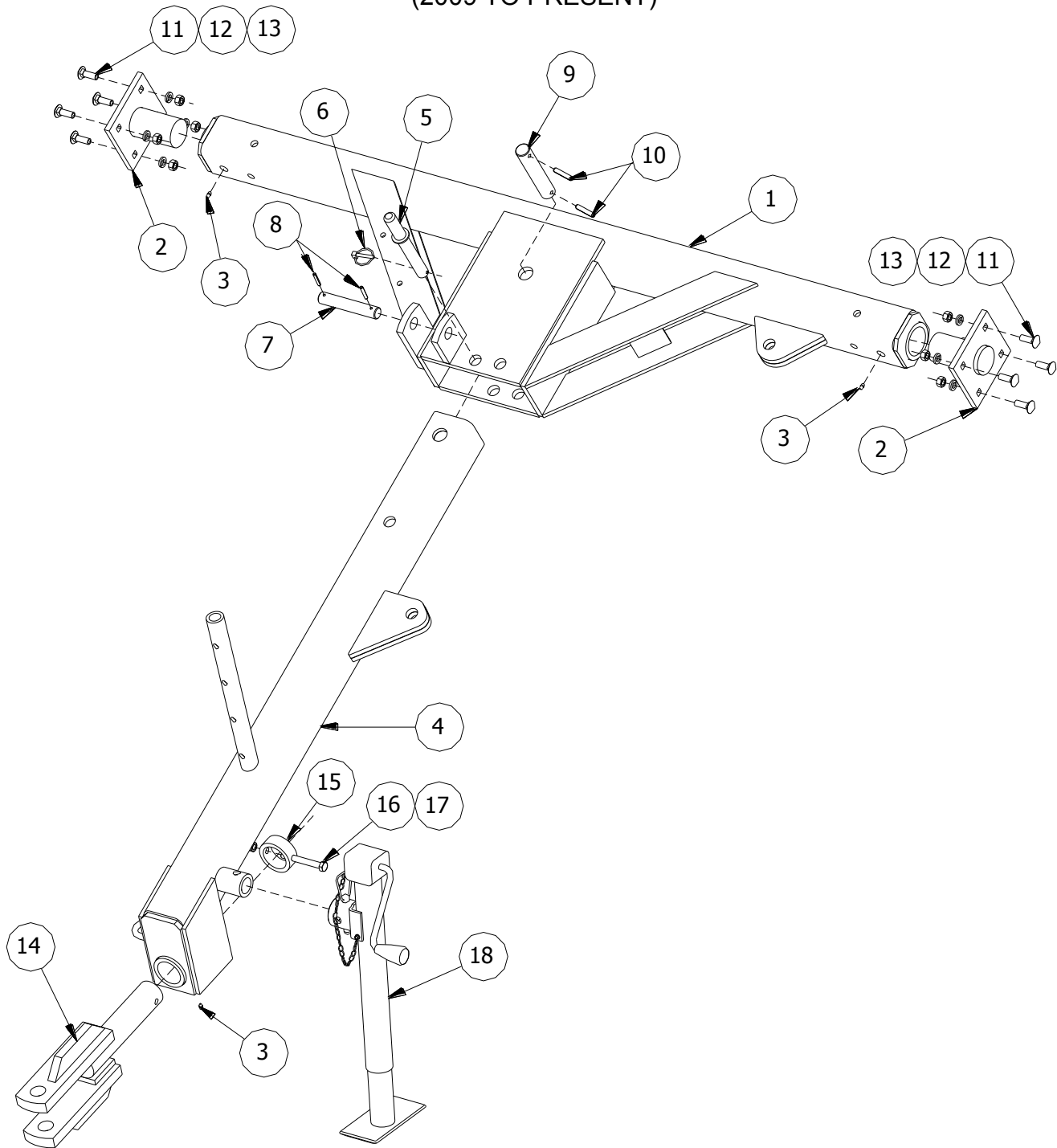
ITEM	PART NO	SERIAL NO OR YR	DESCRIPTION	QTY	
				STD	HVY
14	42-061-014		CONTROL VALVE, SINGLE	1	1
	42-061-034		SEAL KIT	1	1
	42-061-035		HANDLE, CLEVIS	1	1
	42-061-036		HANDLE HARDWARE KIT	1	1
15	48-090210		CAPSCREW, 3/8 X 2 1/4 G5 PLT	3	3
16	68-010150		HEX NUT, 3/8 PLT	3	3
17	66-010150		LOCKWASHER, 3/8 PLT	3	3
18	42-080-100		EXTENSION, CONTROL ARM	1	1
19	42-080-097		ARM, CONTROL (2 X 2)	1	1
20	42-050-019		JACK SWIVEL (5000 #)	1	1
21	21-026-007		PIN, 1" CLEVIS	1	1
22	02-050-007		PIN, 1/4 X 1 1/2 ROLL	2	2
23	33-050-140		CHAIN, 27 LINKS SAFETY	1	1
24	33-080-181		CHAIN SHACKLE, 3/8	1	1
25	33-050-139		DOUBLE CLEVIS LINK, 3/8	1	1

**2.85 PUMP/GEAR BOX
& TORQUE ARM**



ITEM	PART NO	SERIAL NO OR YR	DESCRIPTION	QTY
1	42-025-058		TORQUE ARM (EATON)	1
2	62-010200		FLATWASHER, 1/2 PLT	2
3	48-200028		CAPSCREW, 1/2 X 1 1/4 G8 PLT	2
4	48-090185		CAPSCREW, 3/8 X 1 3/4 G5 PLT	1
5	62-010100		LOCKWASHER, 3/8 PLT	2
6	72-020030		LOCKNUT, 3/8 PLT	1
7	03-050-092		CHAIN	1
8	42-061-013		PUMP, (2.85) PTO GEAR BOX &	1
9	42-061-047		GEAR BOX (Page 14)	1
10	42-061-039		PUMP, (2.85) (Page 15)	1

UPPER AND LOWER TONGUE (2009 TO PRESENT)

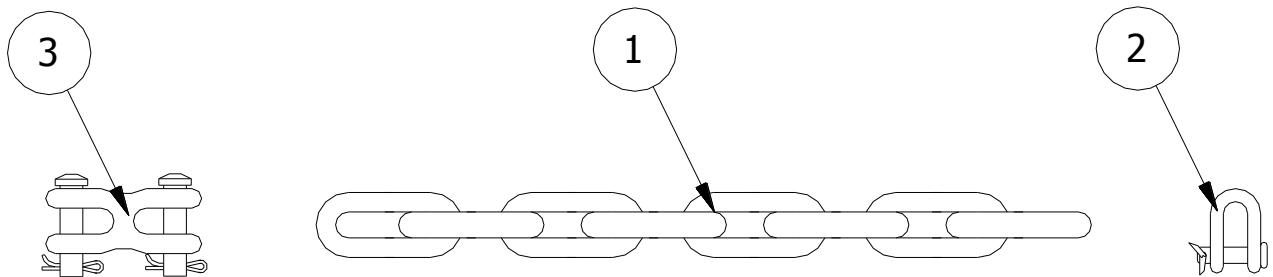


ITEM	PART NO	SERIAL NO OR YR	DESCRIPTION	QTY
1	42-080-171		TONGUE, UPPER	1
2	42-080-172		PIVOT, UPPER TONGUE	2
3	02-050-005		FITTING, 1/4-28 STRT	3
4	42-080-229		TONGUE, LOWER	1
5	42-080-060		PIN, POSITION	1
6	02-050-062		PIN, 1/4 x 1 5/8 LYNCH	1

ITEM	PART NO	SERIAL NO OR YR	DESCRIPTION	QTY
7	21-026-007		PIN, 1" CLEVIS	1
8	02-050-007		PIN, 1/4 X 1 1/2 ROLL	2
9	42-026-004		PIN, SWIVEL	1
10	42-050-010		PIN, 3/8 X 2 ROLL	2
11	52-050140		CARRIAGE SCREW, 1/2 X 1 1/2 G5 PLT	8
12	66-010250		LOCKWASHER, 1/2 PLT	8
13	68-010250		HEX NUT, 1/2 PLT	8
14	42-080-223		SWIVEL, YOKE	1
15	42-024-053		STOP, PIN	1
16	48-090850		CAPSCREW, 1/2 X 4 G5 PLT	1
17	72-010100		LOCKNUT, 1/2 STOVER	1
18	42-050-019		JACK SWIVEL (5000 #)	1

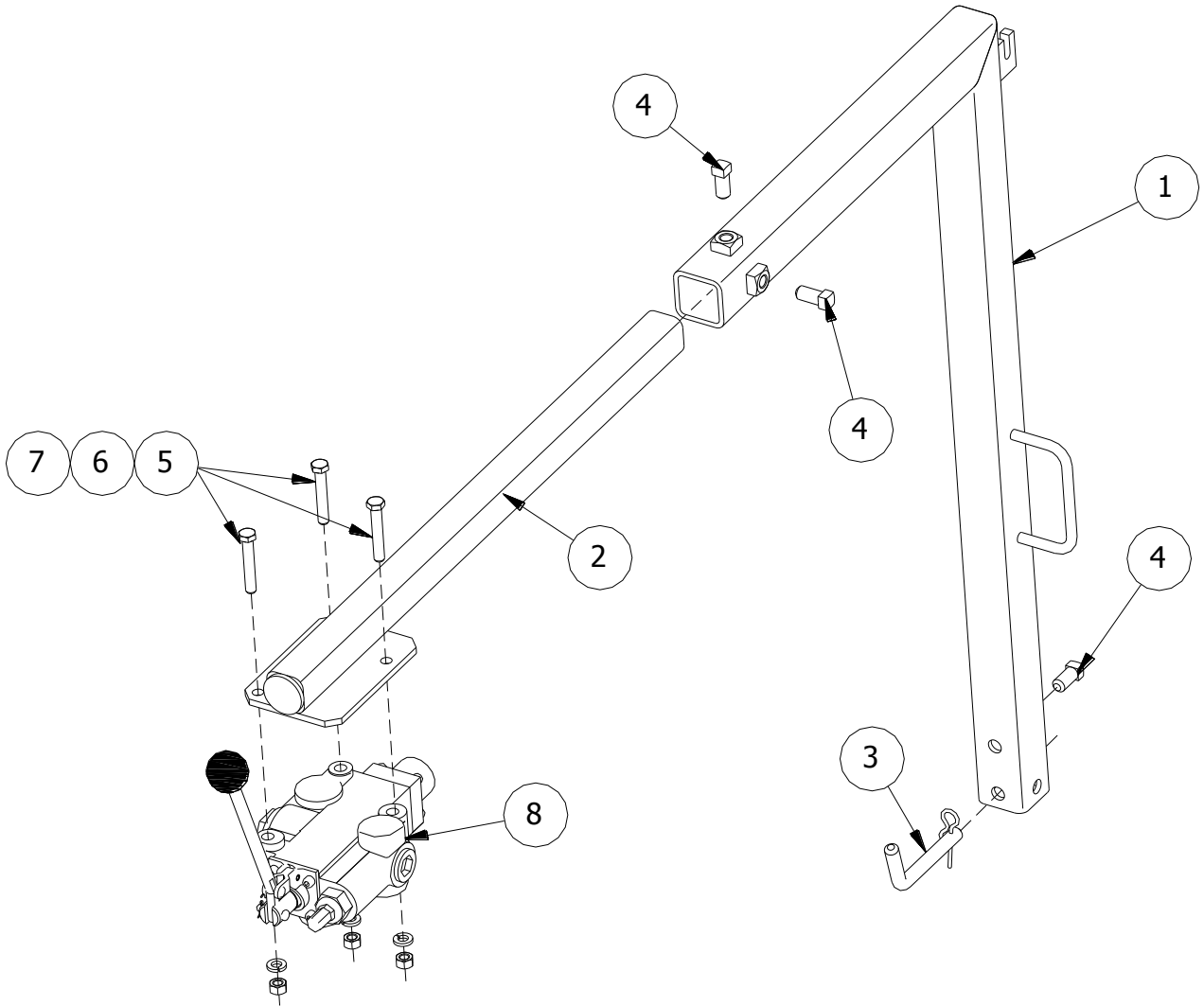
*THESE ITEMS MAKE UP 42-081-036

SAFETY CHAIN



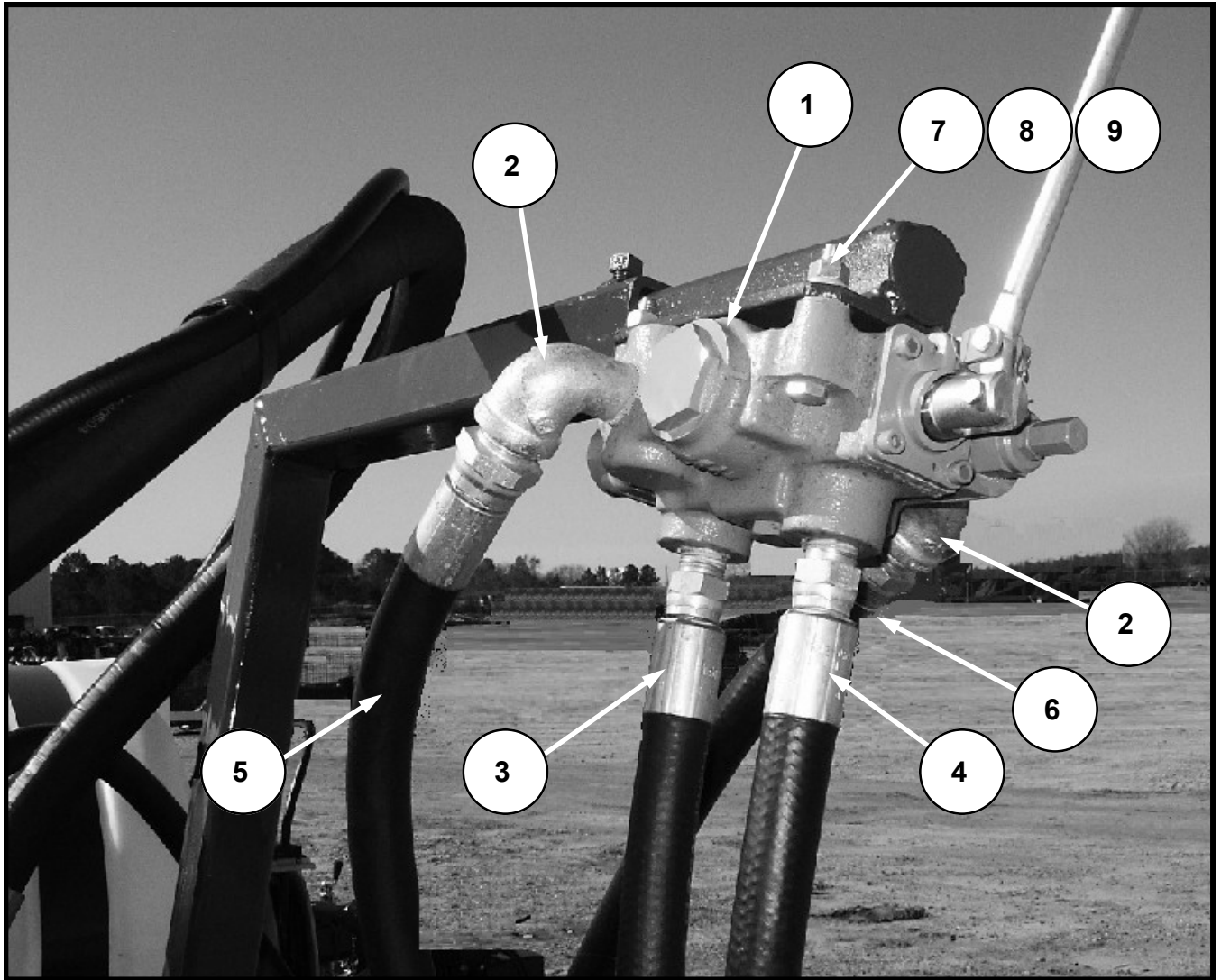
ITEM	PART NO	SERIAL NO OR YR	DESCRIPTION	QTY
1	33-050-140		CHAIN, 27 LINKS SAFETY	1
2	33-080-181		CHAIN SHACKLE, 3/8	1
3	33-050-139		DOUBLE CLEVIS LINK, 3/8	1

MANUAL FLOOR CHAIN CONTROL



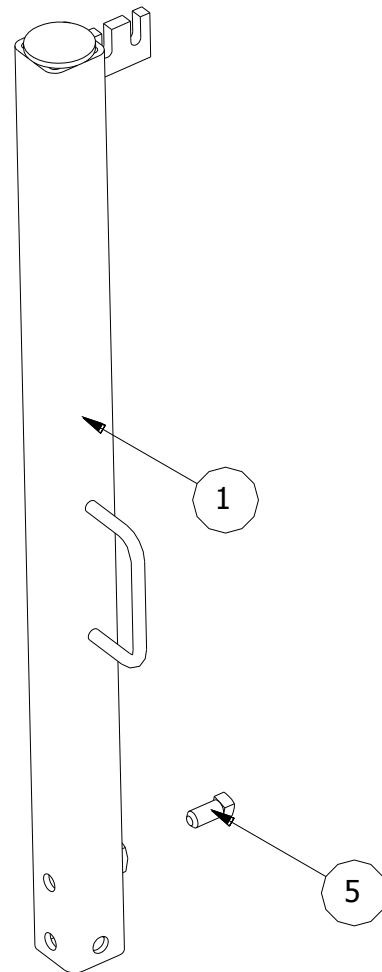
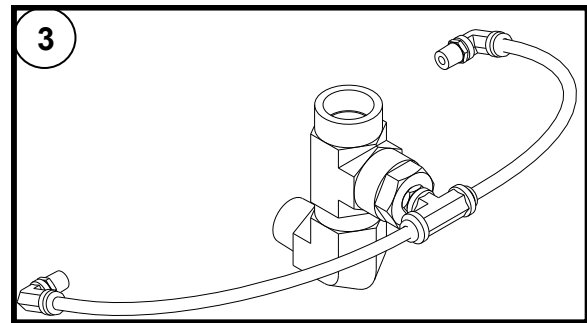
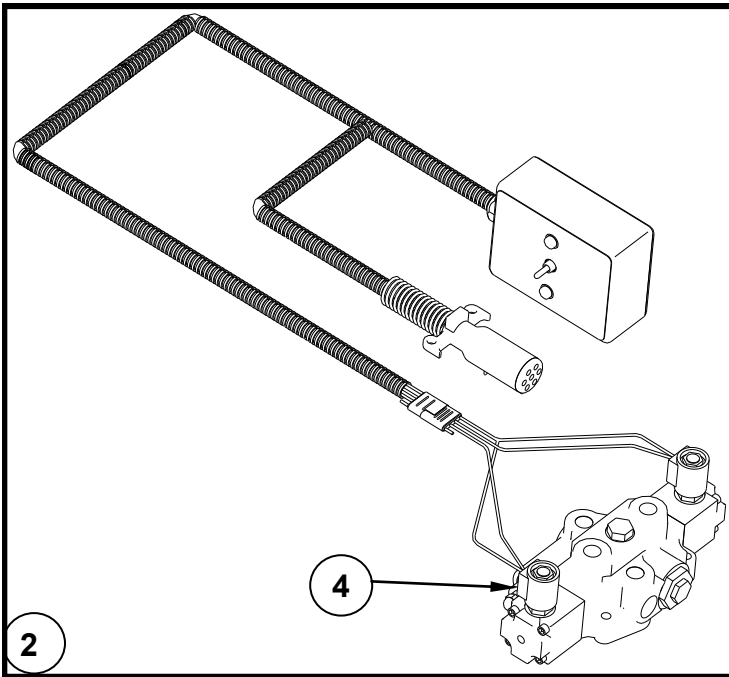
ITEM	PART NO	SERIAL NO OR YR	DESCRIPTION	QTY
1	42-080-097		ARM, CONTROL (2 X 2)	1
2	42-080-100		EXTENSION, CONTROL ARM	1
3	04-050-134		PIN, 1/2" BENT HITCH	1
4	54-010250		SETSCREW, 1/2 X 1 SQ HD CUPPT	3
5	48-090210		CAPSCREW, 3/8 X 2 1/4 G5 PLT	3
6	68-010150		HEX NUT, 3/8 PLT	3
7	66-010150		LOCKWASHER, 3/8 PLT	3
8	42-061-014		CONTROL VALVE, SINGLE	1
	42-061-034		SEAL KIT	1
	42-061-035		HANDLE, CLEVIS	1
	42-061-036		HANDLE HARDWARE KIT	1

HYDRAULICS FOR MANUAL FLOOR CHAIN CONTROL



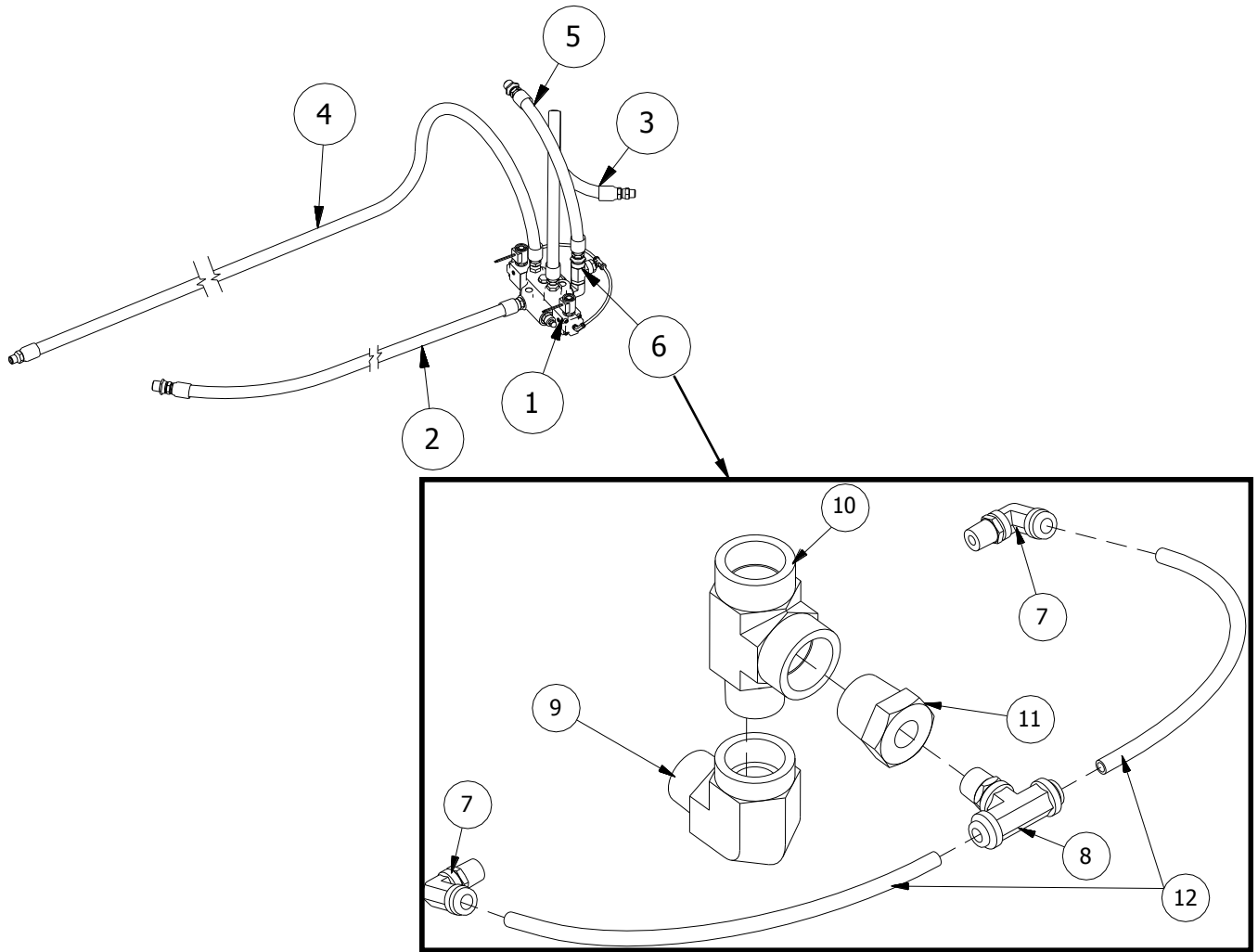
ITEM	PART NO	SERIAL NO OR YR	DESCRIPTION	QTY	
				STD	LP
1	42-061-014		CONTROL VALVE, SINGLE	1	1
2	42-050-008		STREET ELL, 3/4 NPT	2	2
3	42-059-025		HOSE, 12M3K-8MPX-8MPX-90"	1	1
4	42-059-021		HOSE, 12M3K-8MP-8MPX-280"	1	1
5	42-059-003		HOSE, 12M3K-12MP-12MPX-60"	1	1
6	42-059-010		HOSE, 12M3K-12MP-12MPX-105"	1	1
7	48-090210		CAPSCREW, 3/8 X 2 1/4 G5 PLT	3	3
8	68-010150		HEX NUT, 3/8 PLT	3	3
9	66-010150		LOCKWASHER, 3/8 PLT	3	3

ELECTRICAL FLOOR CHAIN CONTROL



ITEM	PART NO	SERIAL NO OR YR	DESCRIPTION	QTY
1	42-080-322		ARM, CONTROL ELECTRICAL	1
2	42-081-108		FLOOR CHAIN HARNESS (SEE PAGE 11)	
3	42-081-043		KIT, ELEC RETRO FLOOR (SEE PAGE 9)	
4	42-061-202		VALVE, SINGLE SPOOL	1
5	54-010250		SETSCREW, 1/2 X 1 SQ HD CUPPT	1

HYDRAULIC FOR FLOOR CHAIN CONTROL HARNESS



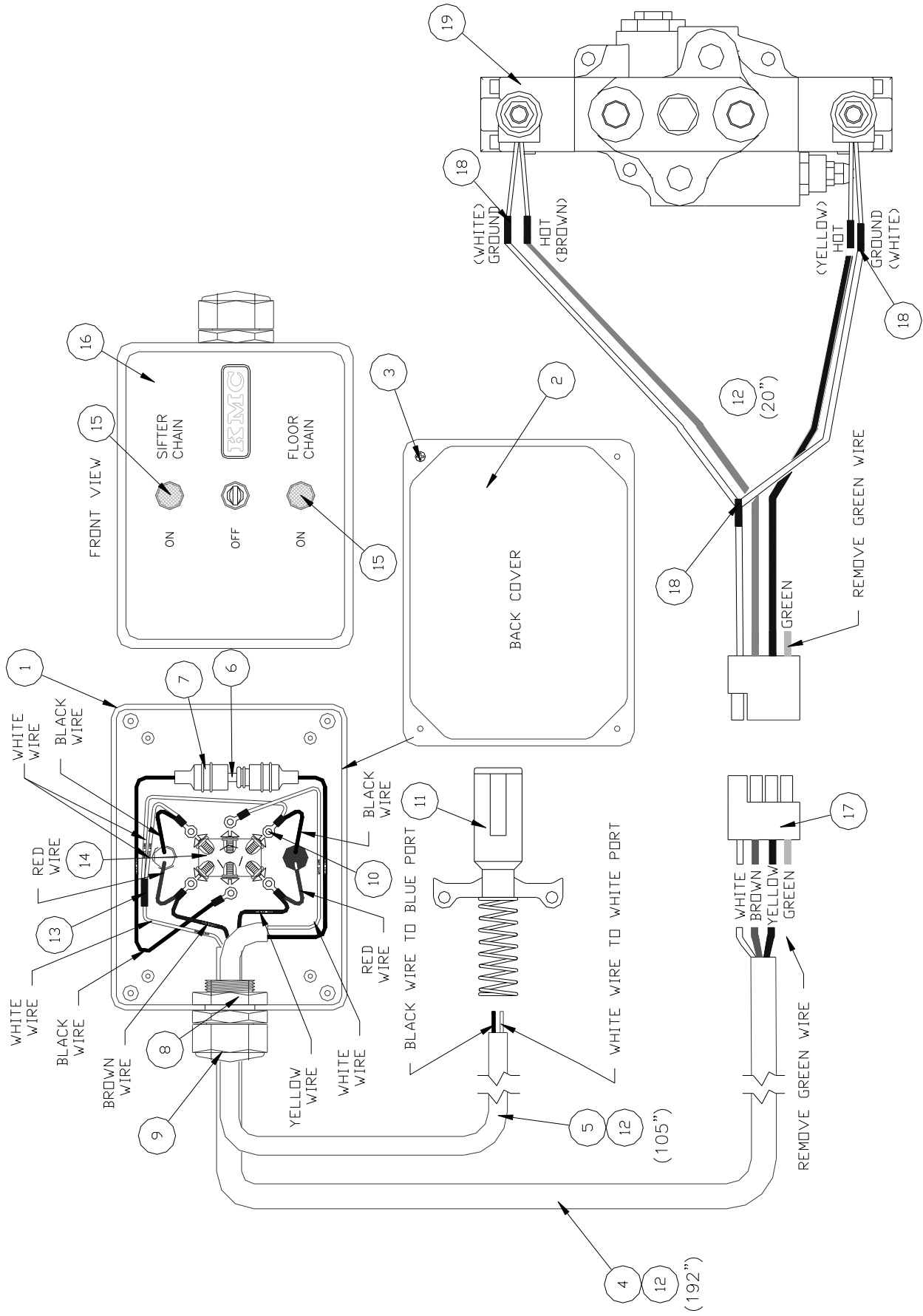
ITEM	PART NO	SERIAL NO OR YR	DESCRIPTION	QTY
1	42-061-202		VALVE, SINGLE SPOOL 4-WAY SOLENOID	1
2	42-059-010		HOSE, 12M3K-12MP-12MPX-105"	1
3	42-059-104		HOSE, 12M3K-8MPX-8MPX-40"	1
4	42-059-105		HOSE, 12M3K-8MP-8MPX-220"	1
5	42-059-106		HOSE, 12M3K-12MPX-12MPX-18"	1
6	42-081-043		KIT, ELEC RETRO FLOOR	1

ELECTRICAL RETRO FLOOR CHAIN KIT

(42-081-043) (ITEM 6)

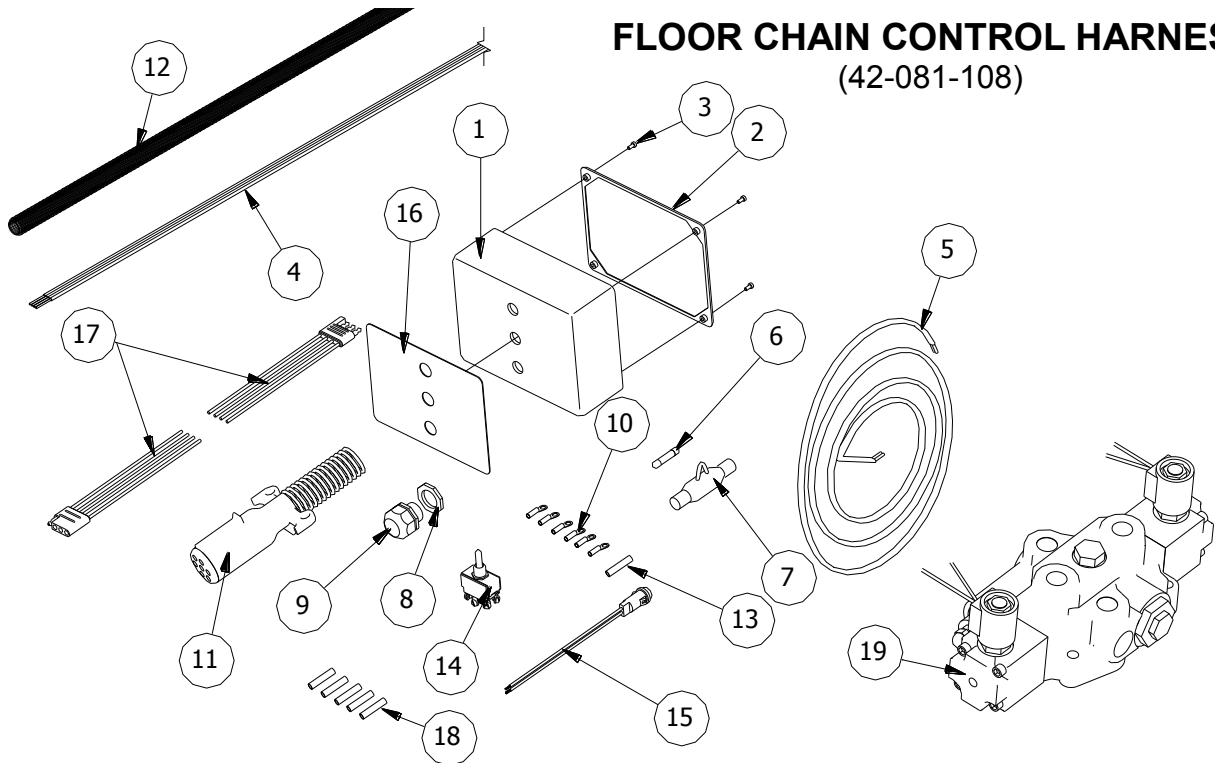
ITEM	PART NO	SERIAL NO OR YR	DESCRIPTION	QTY
7	42-059-107		ADAPTER, 4PTC-2MPX-90	2
8	42-059-108		ADAPTER, 4PTC-4PTC-4MPX	1
9	42-059-110		ADAPTER, 12MP-12FP-12FP	1
10	42-059-111		ADAPTER, 12MP-4FP	1
11	42-059-115		ADAPTER, 12MP-12FP-90	1
12	42-024-078		NYLON TUBING, 11"	1

WIRING SCHEMATIC FOR FLOOR CHAIN CONTROL HARNESS



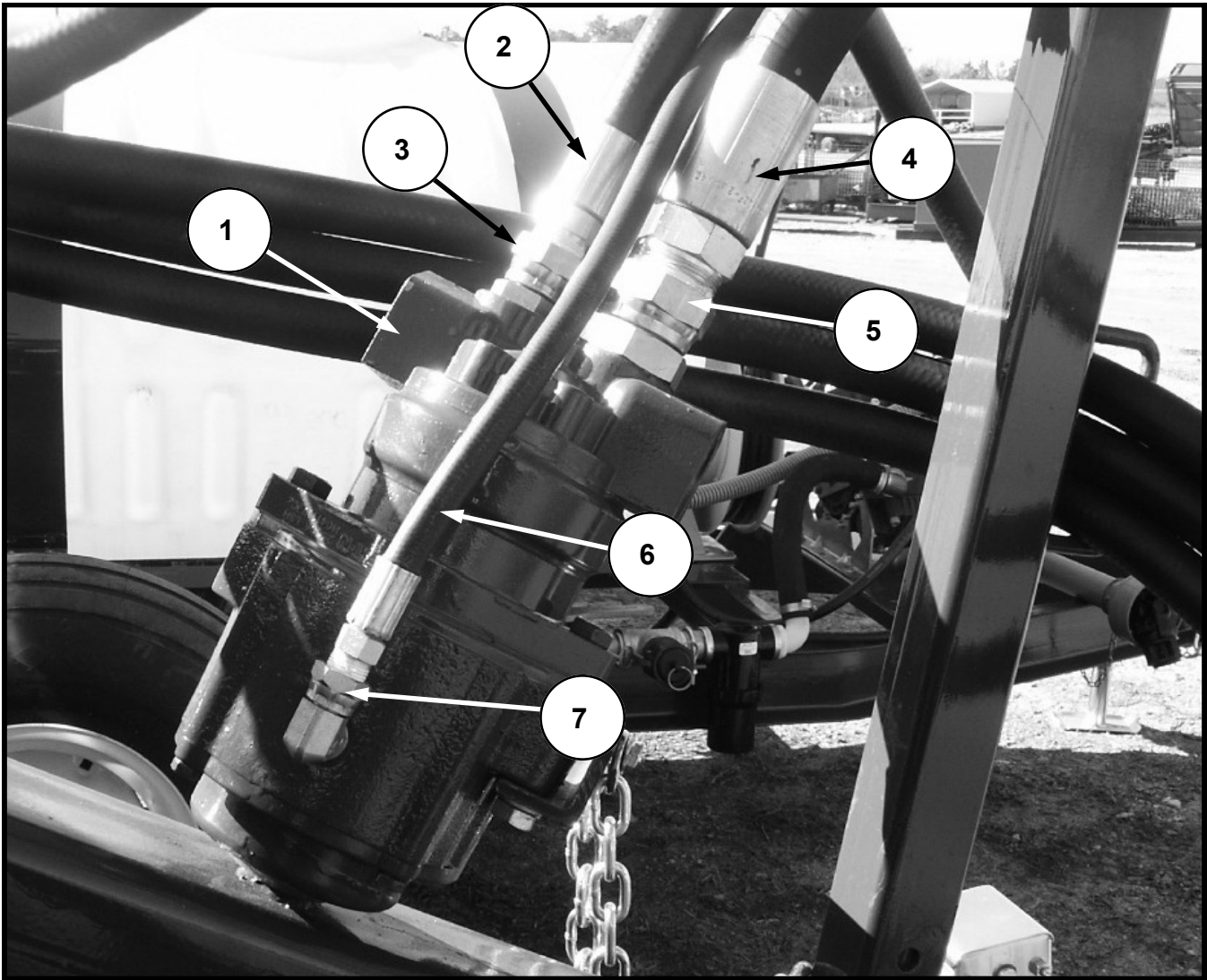
FLOOR CHAIN CONTROL HARNESS

(42-081-108)



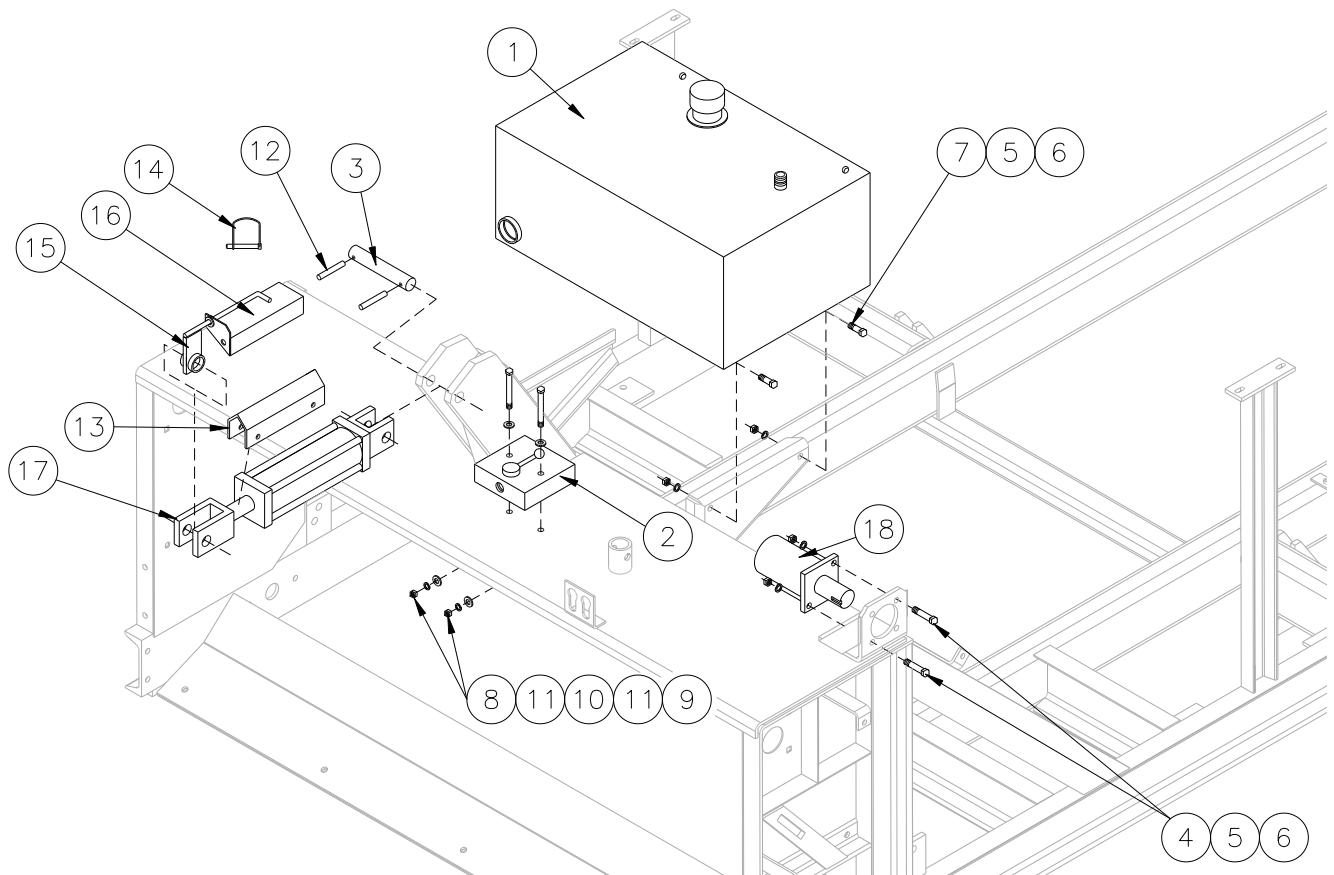
ITEM	PART NO	SERIAL NO OR YR	DESCRIPTION	QTY
1	42-050-082		BOX, FLOOR CHAIN CONTROL	1
2	42-050-080	(-2014)	COVER, ELECTRONICS BOX	(1)
	33-050-145	(2015-)	COVER, INSTRUMENT	1
3	54-030100	(-2014)	PHILLIPS MACHINE SC, #4 X 1/4 FLAT HD	(4)
	54-030050	(2015-)	METAL SCREW, #4 X 1/2	4
4	33-062-003		WIRE, 16/4 PARALLEL 1	192"
5	33-062-065		CABLE, 16/2 PRIMARY 1	105"
6	20-062-007		FUSE, 5A	1
7	20-062-013		HOLDER, WATERPROOF FUSE	1
8	20-062-015		LOCKNUT, 3/4 NPT	1
9	20-062-014		RELIEF, STRAIN	1
10	33-062-020		TERMINAL, #10 RING	6
11	33-062-007		PLUG, 7-WAY	1
12	33-062-035		PLASTIC LOOM, 1/2 ID SPLIT 1	20"
				105"
				192"
13	33-062-059		BUTT CONNECTOR, MOIST RES	1
14	42-062-002		TOGGLE, ON-OFF-ON	1
15	42-062-003		L.E.D., 1/2" GREEN	1
16	42-050-083		DECAL, FLOOR CHAIN CONTROL	1
17	33-062-002		CONNECTOR, MOLDED CIRCUIT	1
18	33-062-006		CONNECTOR, BUTT	5
19	42-061-202		VALVE, SINGLE SPOOL 4-WAY SOLENOID	1

PTO PUMP HYDRAULICS

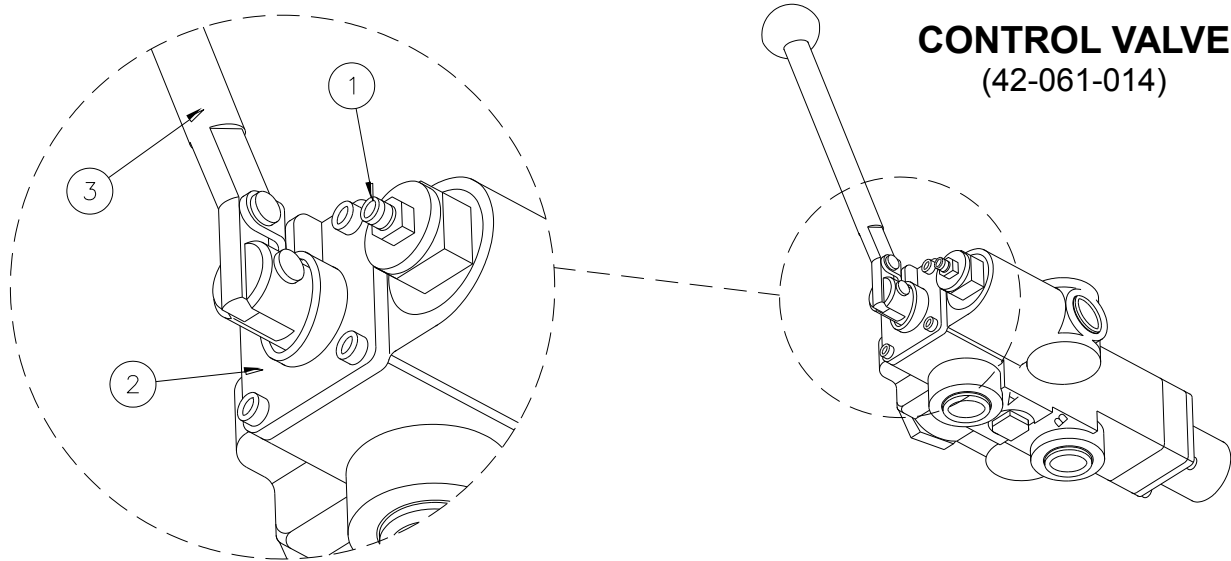


ITEM	PART NO	SERIAL NO OR YR	DESCRIPTION	QTY	
				STD	LP
1	42-061-013		PUMP, (2.85 RATIO) PTO	1	1
2	42-059-003		HOSE, 12M3K-12MP-12MPX-60"	1	1
3	42-059-014		ADAPTER (PUMP PRESSURE)	1	1
4	42-059-004		HOSE, 20G4H-20MP-20MP-88"	1	1
5	42-059-013		ADAPTER (SUCTION PUMP)	1	1
6	42-059-012		HOSE, 6M3K-6MP-6MPX-115"	1	1
7	42-059-015		ADAPTER (PUMP DRAIN)	1	1

FRONT COMPONENTS OF CLEANER



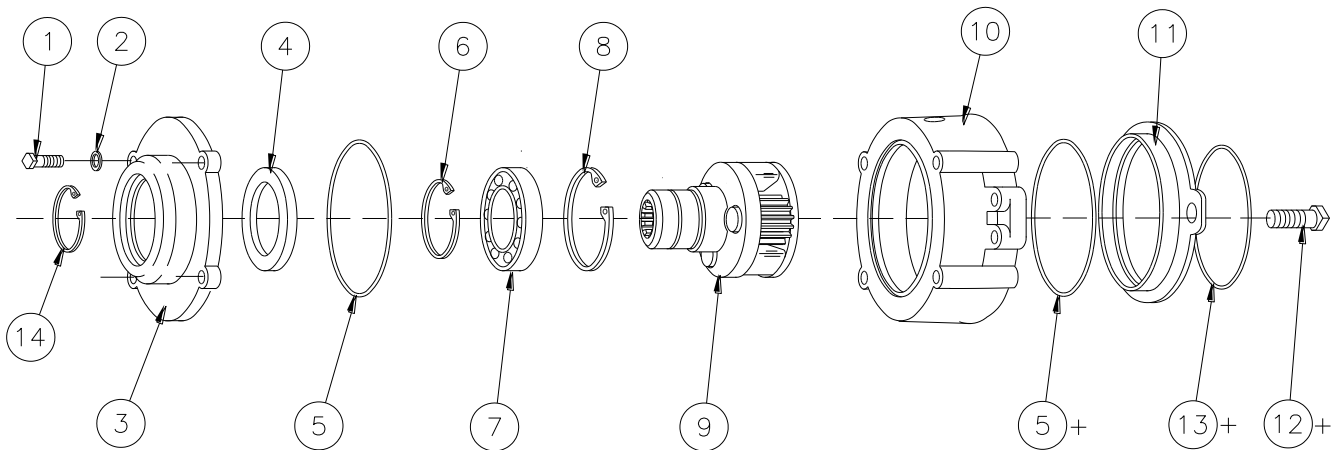
ITEM	PART NO	SERIAL NO OR YR	DESCRIPTION	QTY
1	42-061-011		RESERVOIR	1
2	09-061-006		VALVE, ADJ FLOW CONTROL	1
3	21-026-007		PIN, 1" CLEVIS	1
4	48-090596		CAPSCREW, 1/2 X 1 3/4 G5 PLT	2
5	66-010250		LOCKWASHER, 1/2 PLT	6
6	68-010250		HEX NUT, 1/2 PLT	6
7	48-090592		CAPSCREW, 1/2 X 1 1/4 G5 PLT	4
8	48-090032		CAPSCREW, 1/4 X 2 1/2 G5 PLT	2
9	68-010050		HEX NUT, 1/4 PLT	2
10	66-010050		LOCKWASHER, 1/4 PLT	2
11	62-010010		FLATWASHER, 1/4 PLT	4
12	02-050-007		ROLL PIN, 1/4 X 1 1/2	2
13	42-027-050		LOCK, CYLINDER	1
14	21-050-012		SNAPPER PIN, 3/8 X 2-3/4	2
15	42-080-081		STAND, INDICATOR	1
16	42-080-082		DEPTH, INDICATOR	1
17	33-061-120	(-2012)	CYLINDER, HYD (See Pg 22 for breakdown)	(1)
	33-061-203	(2013-)	CYLINDER, HYD (See Pg 22 for breakdown)	1
18	42-061-003		MOTOR, FEEDER HYDRAULIC`	1



CONTROL VALVE
(42-061-014)

ITEM	PART NO	SERIAL NO OR YR	DESCRIPTION	QTY
1	42-061-097		CARTRIDGE, PRESSURE RELIEF	1
2	42-061-035		HANDLE CLEVIS	1
3	42-061-036		HANDLE HARDWARE KIT	1
4	42-061-034		SEAL KIT	1

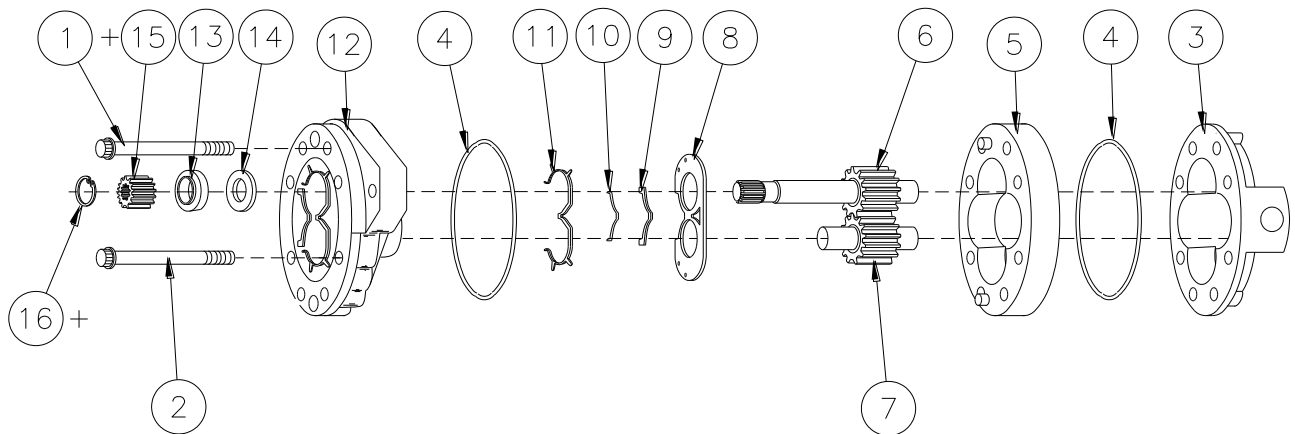
PHC PUMP GEAR BOX
(42-061-047)



ITEM	PART NO	SERIAL NO OR YR	DESCRIPTION	QTY
*1	48-090036		CAPSCREW, 5/16 X 1 G5 PLT	4
2	42-061-091		SERRATED WASHER	4
3	42-061-092		FRONT PLATE	1
4	42-061-049		SHAFT-SEAL	1
+5	42-061-048		O-RING, EATON PTO GB	2
6	42-061-093		RETAINING RING	1
7	42-061-094		CARRIER BEARING	1

ITEM	PART NO	SERIAL NO OR YR	DESCRIPTION	QTY
8	42-061-095		RETAINING RING	1
9	42-061-061		CARRIER ASSEMBLY	1
10	42-061-096		HOUSING	1
11	42-061-090		ADAPTER PLATE, INPUT	1
+12	48-090596		CAPSCREW, 1/2 X 1 3/4 G5 PLT	2
+13	42-061-045		O-RING, EATON PTO GB/PUMP INTERFACE	1

GEAR PUMP(2.85 Ratio)
(42-061-039)

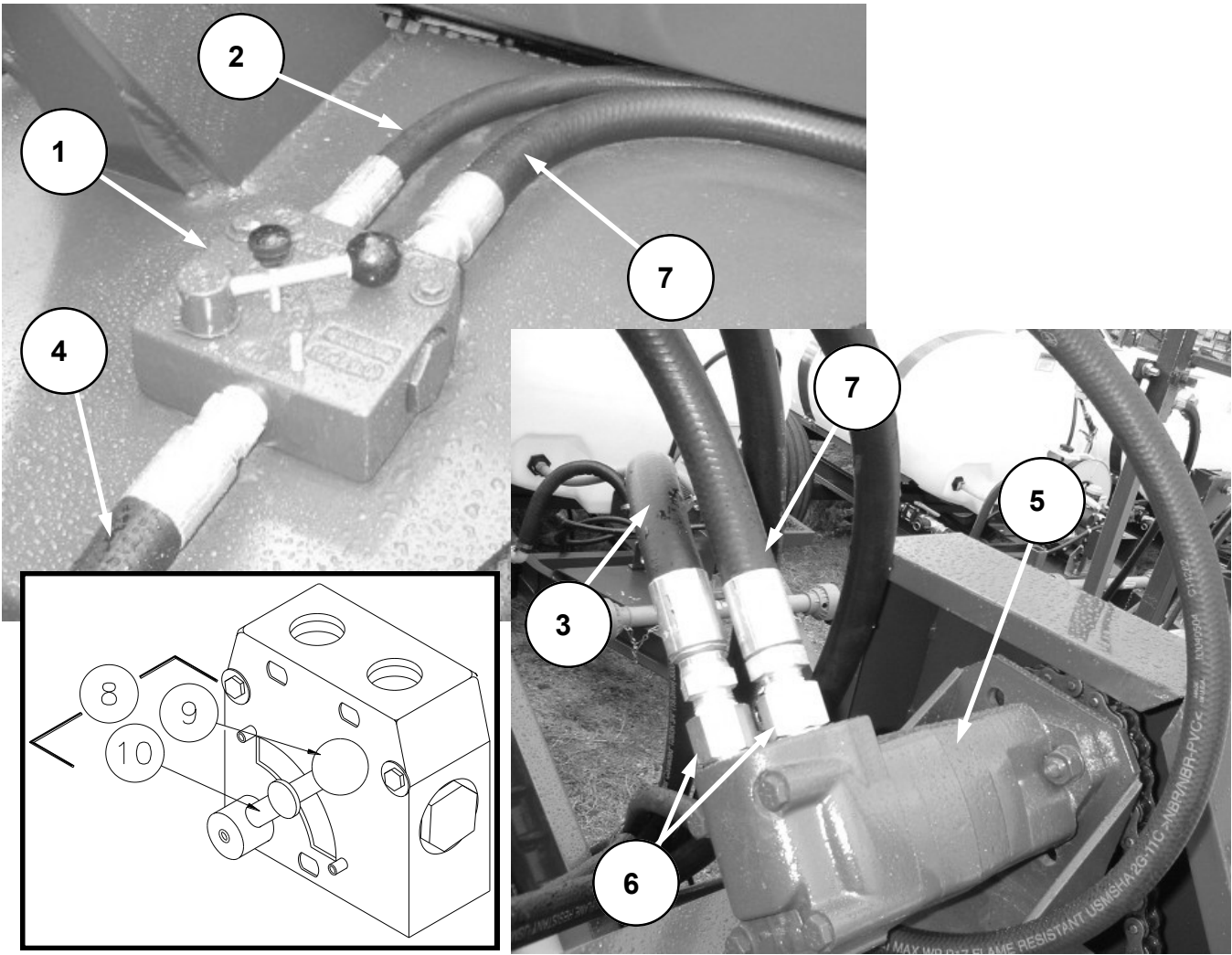


ITEM	PART NO	SERIAL NO OR YR	DESCRIPTION	QTY
1	42-061-077		CAPSCREW, 3/8 X 3 3/4 NC TX HD	4
2	42-061-078		CAPSCREW, 3/8 X 3 1/2 NC TX HD	4
3	42-061-071		BACKPLATE ASSEMBLY, PLAIN	1
*4	42-061-079		O-RING, 3/32" X 5" ID	2
5	42-061-080		BODY	1
6	42-061-081		DRIVE GEAR ASSEMBLY	1
7	42-061-082		IDLER GEAR ASSEMBLY	1
*8	42-061-083		WEAR PLATE	1
*9	42-061-084		BEARING SEAL	1
*10	42-061-085		MOLDED O-RING	1
*11	42-061-086		BACK-UP GASKET	1
12	42-061-087		FRONT PLATE	1
*13	42-061-088		SHAFT-SEAL	1
*14	42-061-089		WASHER	1
+15	42-061-046		SUN GEAR	1
+16	42-061-051		RING, RETAINING (SUN GEAR)	1

*These Parts make up PTO Pump Seal Kit (42-061-038)

+These Parts are not included when ordering 42-061-039. They must be purchased separately.

FLOW CONTROL & FEEDER REEL MOTOR HYDRAULICS



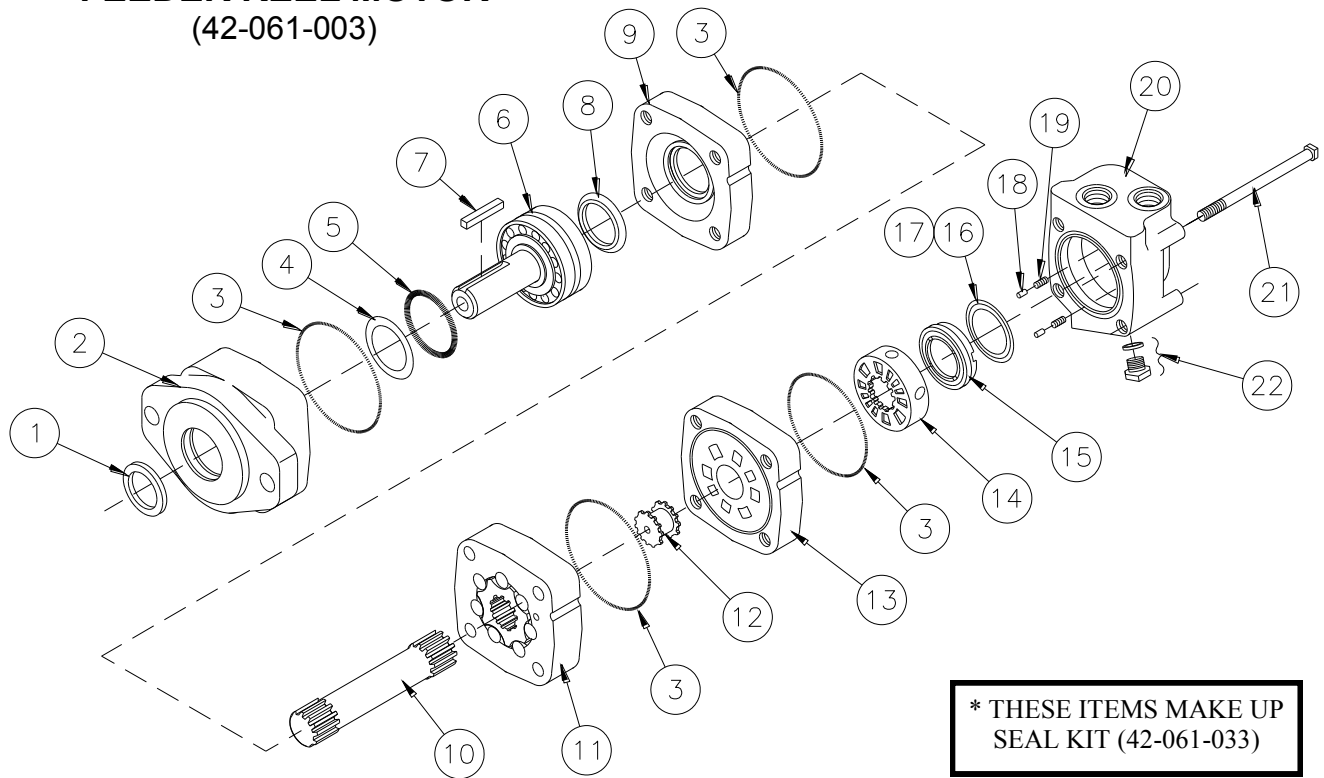
ITEM	PART NO	SERIAL NO OR YR	DESCRIPTION	QTY			
				4200		4250	
				STD	LP	STD	LP
1	09-061-006		VALVE , ADJ FLOW CONTROL	1	1	1	1
2	42-059-002		HOSE, 8M3K-8MPX-8MPX-220"	1	1	1	1
3	42-059-001		HOSE, 8M3K-8MPX-8MPX-280"	1	1	-	-
	42-059-028		HOSE, 12M3K-8MP-8MPX-220"	-	-	1	1
4	42-059-025		HOSE, 12M3K-8MPX-8MPX-90"	1	1	1	1
5	42-061-003		MOTOR, HYD (FEEDER)	1	1	1	1
6	42-059-016		ADAPTER (DRIVE MOTOR)	2	2	2	2
7	42-059-006		HOSE, 8M3K-8MP-8MPX-45"	1	1	-	-
	42-059-029		HOSE, 12M3K-8MP-8MPX-50"	-	-	1	1

ADJUSTABLE FLOW CONTROL VALVE (09-061-006)

ITEM	PART NO	SERIAL NO OR YR	DESCRIPTION	QTY
8	09-061-011		HANDLE, THUMBSCREW	1
9	09-061-010		KNOB, ADJUSTING	1
10	09-061-009		HANDLE, METAL ADJUSTING	1
11	09-061-012		KIT, SEAL	1

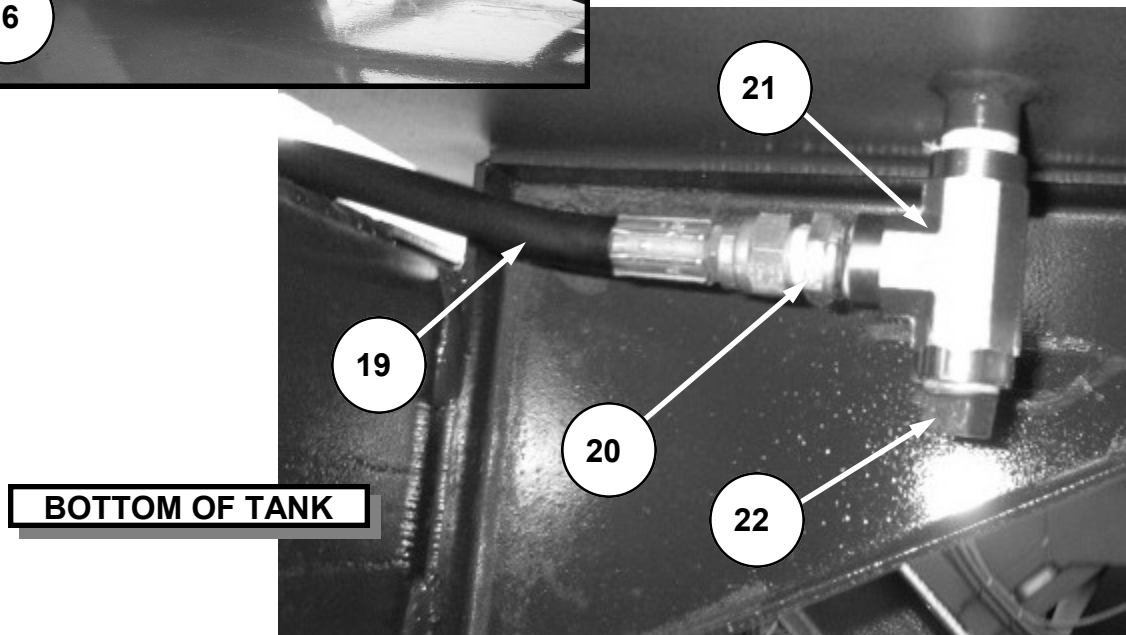
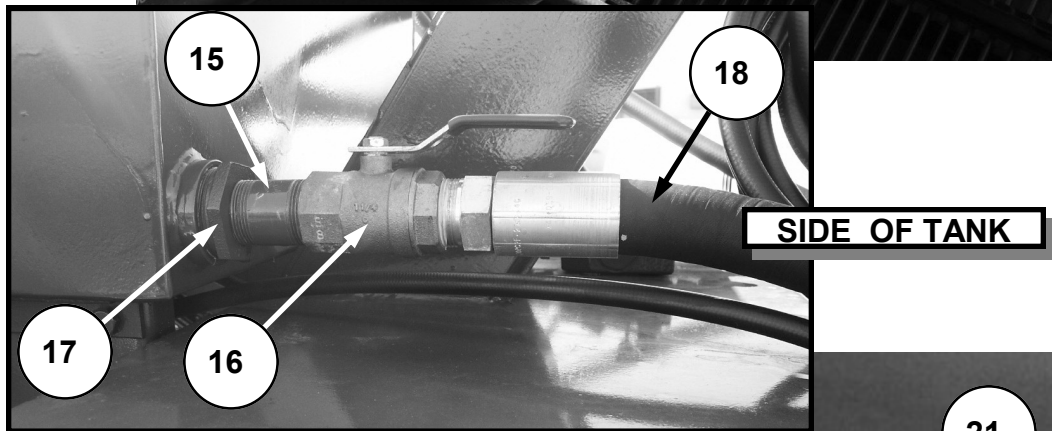
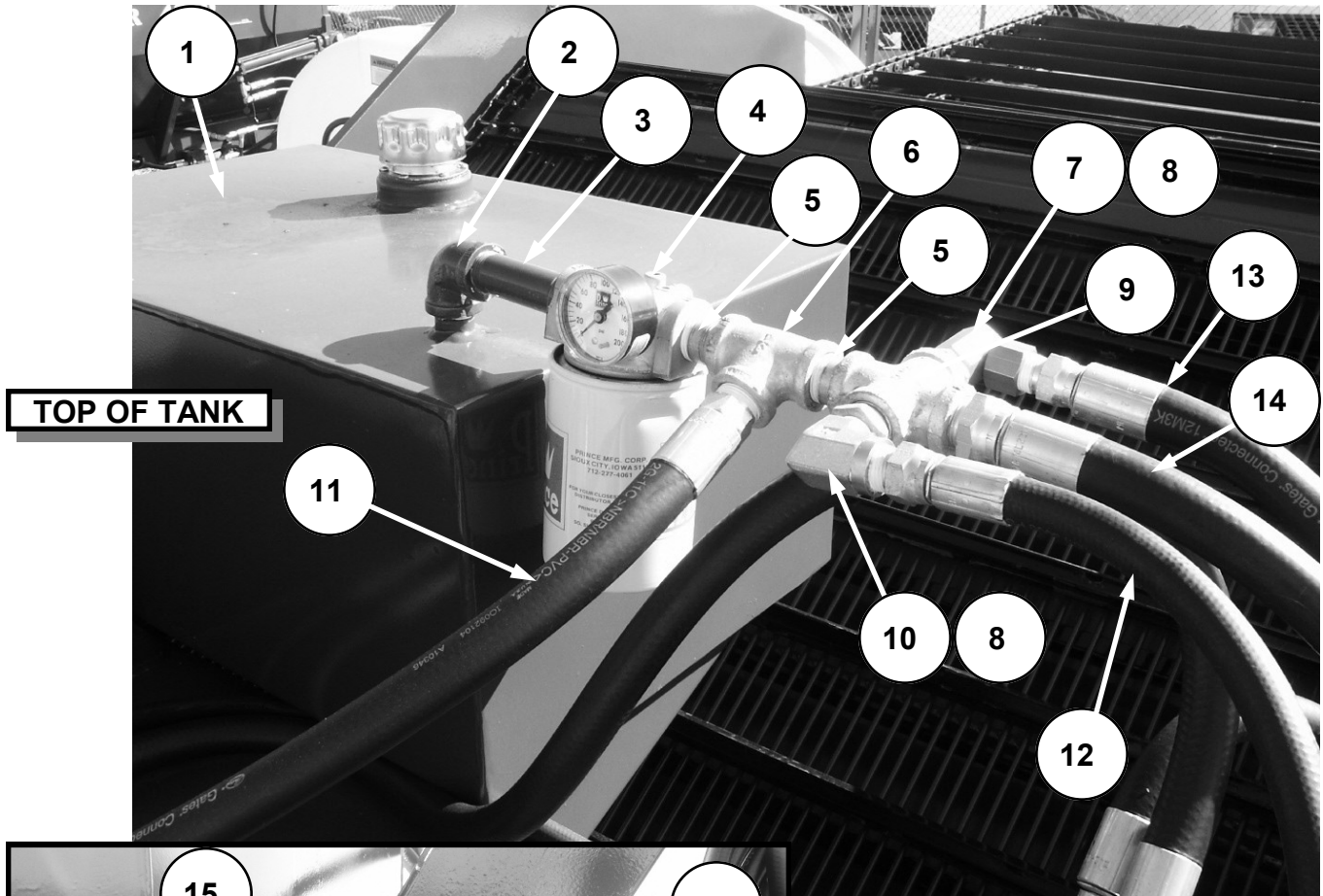
FEEDER REEL MOTOR

(42-061-003)



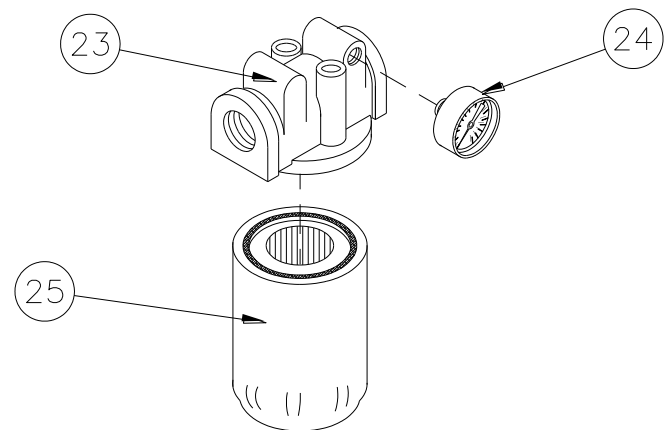
ITEM	PART NO	SERIAL NO OR YR	DESCRIPTION	QTY
*1	42-061-125		SEAL, EXCLUSION	1
2	42-061-126		HOUSING, BEARING	1
*3	42-061-127		SEAL, 3" ID	4
*4	42-061-128		RING, BACKUP	1
*5	42-061-129		SEAL, SHAFT	1
6	42-061-130		SHAFT & BEARING, 1 1/4"	1
7	42-061-131		KEY	1
*8	42-061-132		SEAL, SHAFT FACE	1
9	42-061-133		PLATE, WEAR	1
10	42-061-134		DRIVE	1
11	42-061-136		GEROLER	1
12	42-061-138		DRIVE, VALVE	1
13	42-061-139		PLATE, VALVE	1
14	42-061-140		VALVE	1
15	42-061-141		BALANCE RING	1
*16	42-061-142		SEAL, FACE, INNER	1
*17	42-061-143		SEAL, FACE, OUTER	1
18	42-061-144		PIN	2
19	42-061-145		SPRING	2
20	42-061-146		HOUSING, VALVE	1
21	42-061-147		BOLT	4
22	42-061-149		PLUG ASSEMBLY, 7/16-20 UNF	1

RESERVOIR PLUMBING



ITEM	PART NO	SERIAL NO OR YR	DESCRIPTION	QTY			
				4200		4250	
				STD	LP	STD	LP
1	42-061-011		RESERVOIR (Saint Machinery)	1	1	1	1
2	42-050-017		ELBOW, 3/4 NPT	1	1	1	1
3	42-050-016		NIPPLE, 3/4 X 4 NPT	1	1	1	1
4	42-061-007		FILTER, RETURN	1	1	1	1
5	42-050-007		NIPPLE, 3/4 NPT X 1 1/2 (GALV)	2	2	2	2
6	42-050-006		TEE, 3/4 NPT (GALV)	1	1	1	1
7	08-059-006		ELL, 1/2" HYD STREET	1	1	1	1
8	42-050-004		BUSHING, 3/4X1/2 NPT	2	2	2	2
9	42-050-005		CROSS, 3/4 NPT (GALV)	1	1	1	1
10	05-050-013		SWIVEL ELL, 1/2 (GALV)	1	1	1	1
11	42-059-010		HOSE, 12M3K-12MP-12MPX-105	1	1	1	1
12	42-059-002		HOSE, 8M3K-8MPX-8MPX-220"	1	1	1	1
13	46-059-001		HOSE, 8M3K-8MP-8MPX-160"	1	1	-	-
	42-059-028		HOSE, 12M3K-8MP-8MPX-140"	-	-	1	1
14	42-059-020		HOSE, 12M3K-8MP-12MPX-200"	1	1	1	1
15	42-050-009		NIPPLE, 1 1/4 X 3 NPT (GALV)	1	1	1	1
16	42-061-005		BALL VALVE, 1 1/4 NPT	1	1	1	1
17	42-061-006		STRAINER, TANK	1	1	1	1
18	42-059-004		HOSE, 20G4H-20MP-20MP-88"	1	1	1	1
19	42-059-012		HOSE, 6M3K-6MP-6MPX-115"	1	1	1	1
20	07-050-009		BUSHING, 1/2-3/8 REDUCER	1	1	1	1
21	07-050-001		TEE, 1/2 NPT (GALV)	1	1	1	1
22	02-054-021		PLUG, 1/2 NPT PIPE (BLACK)	1	1	1	1

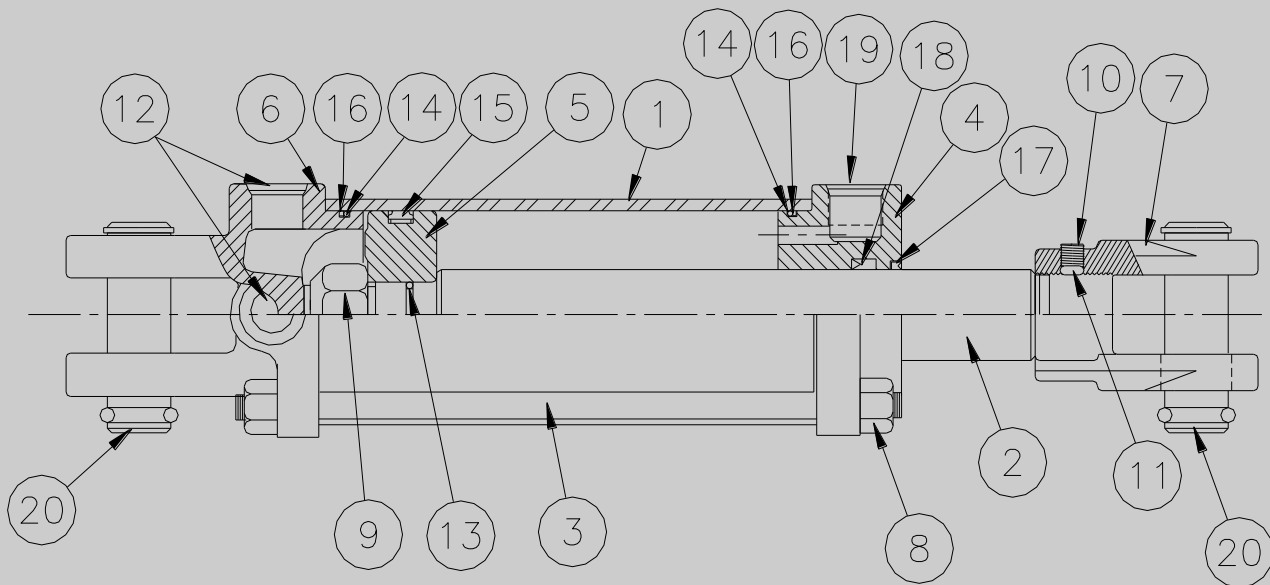
RETURN FILTER
(42-061-007) (Item 4)



ITEM	PART NO	SERIAL NO OR YR	DESCRIPTION	QTY
23	42-061-060		HEAD, FILTER	1
24	42-061-059		GAUGE, PRESSURE	1
25	42-061-012		FILTER ELEMENT	1

3 X 6 HYDRAULIC CYLINDER (ENERGY)

(33-061-120) (Used Prior to 2014)



ITEM	PART NO	SERIAL NO OR YR	DESCRIPTION	QTY
1	33-061-025		CYLINDER BODY	1
2	33-061-126		ROD, 1.25D X 13.4	1
3	33-061-027		TIE ROD	4
4	08-061-017		GUIDE, 3"O.D.	1
5	08-061-014		PISTON, 3" DIA	1
6	08-061-013		BOTTOM CLEVIS, 3" DIA	1
7	08-061-019		ROD CLEVIS, 1.25-12	1
8	42-061-030		HEX NUT, 7/16 NC	8
9	33-061-056		HEX JAM NUT, 1-14 UNF	1
10	54-020010		SETSCREW, 3/8 X 3/8 NC	1
11	33-061-036		BALL, NYLON 1/4 O.D.	1
12	21-061-015		PLUG ORING BOSS, 3/4-16	2
13	33-056-021		O-RING, 7/8 I.D. X 1 O.D.	1
14	08-061-003		O-RING, 2 3/4 X 3	2
15	08-061-004		PSP PISTON SEAL, 3" OD	1
16	33-061-033		BACK-UP RING, 2 3/4 X 3	2
17	08-061-016		ROD WIPER, 1.25	1
18	08-061-015		U-CUP, 1.25 X 1.50 X 0.25	1
19	07-061-042		PLUG ORING BOSS, 3/4-16 (PLASTIC)	1
20	21-061-072		CLEVIS PIN AND CLIP	2

USE SEAL KIT # 08-061-012

3 X 6 X 1.25 HYDRAULIC CYLINDER (BAILEY)

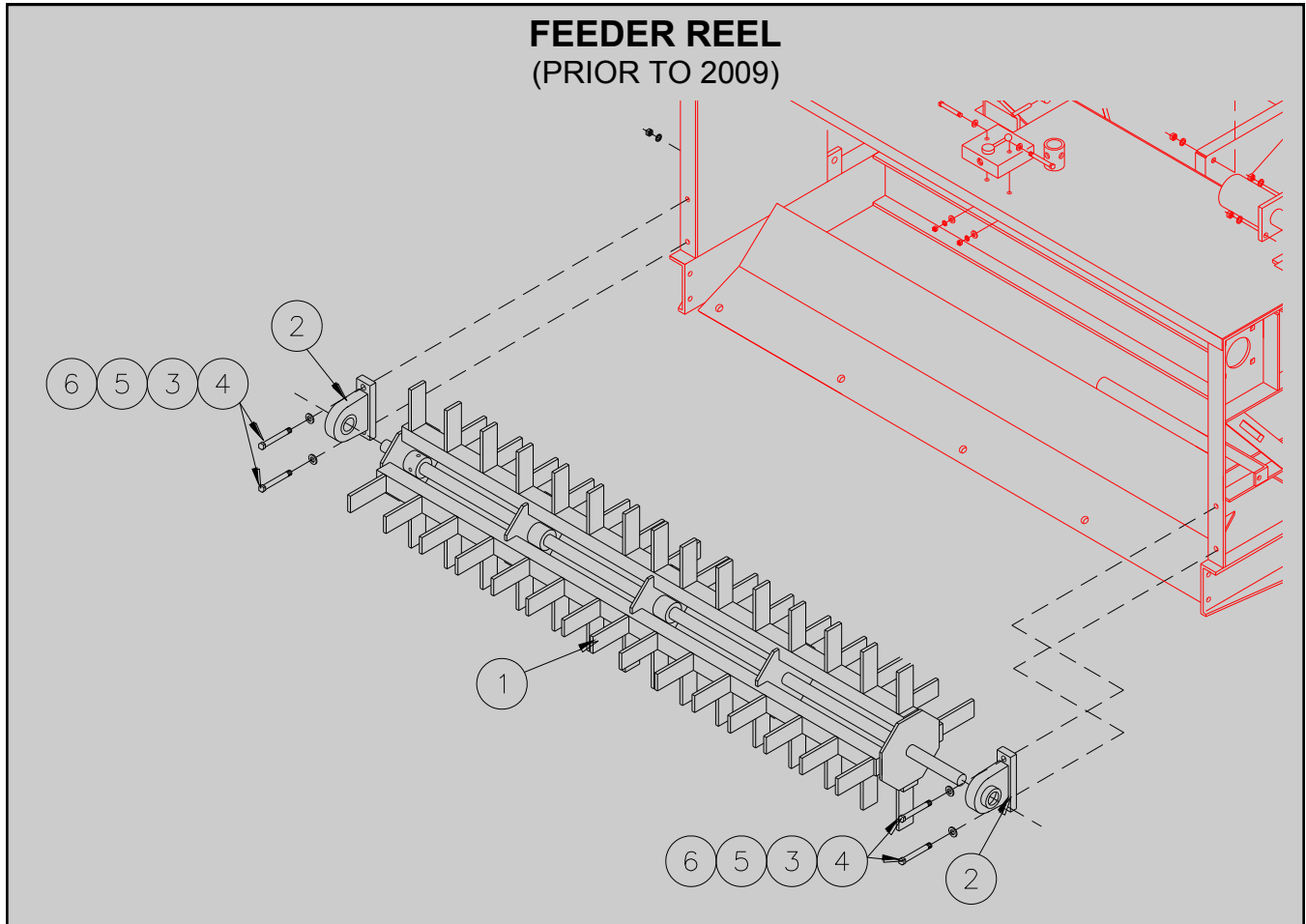
(33-061-203) (6X30, 6X36, 6X40 & 8X30)

(Used on Machines From 2014 to Present)

Bailey's Hydraulic Cylinder (33-061-203) will replace Energy's Hydraulic Cylinder (33-061-120).

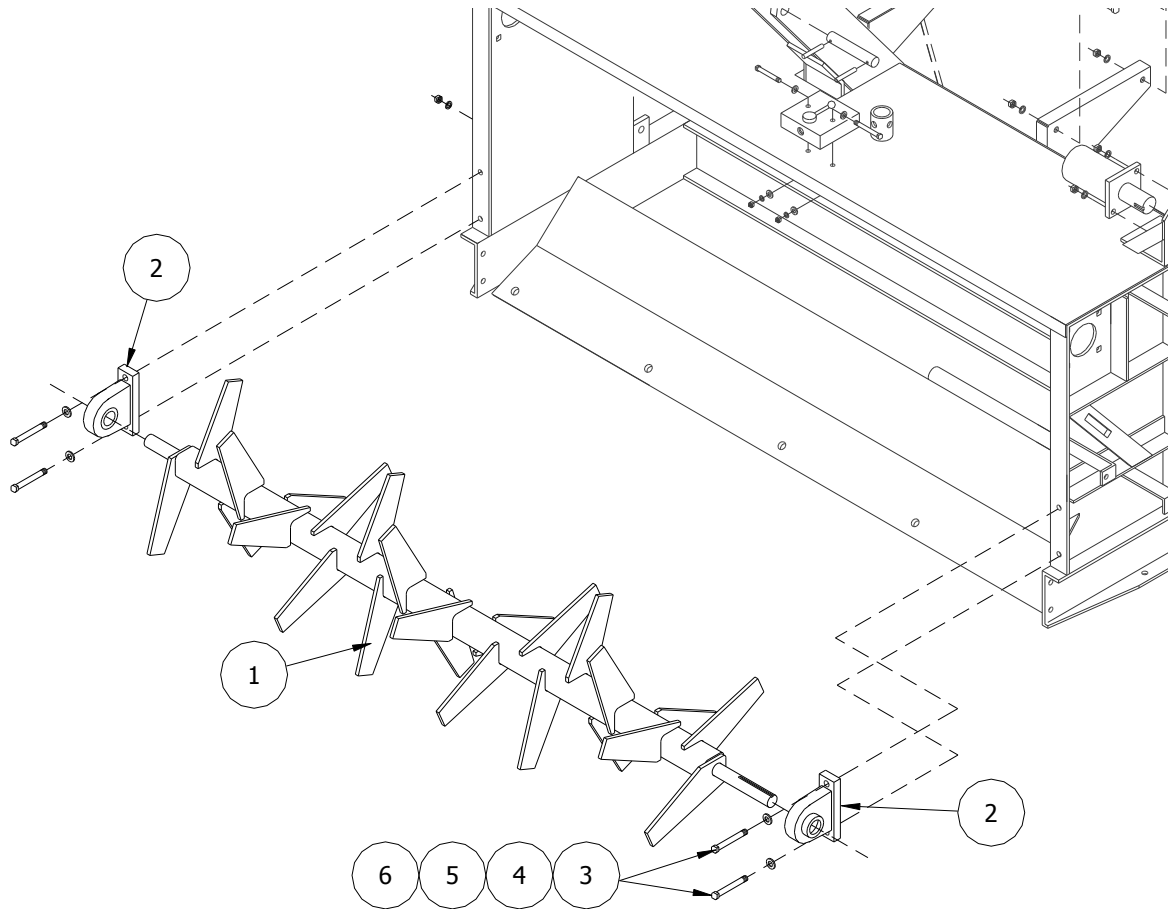
Bailey will not sale any repair parts except for a Seal Kit.

USE SEAL KIT # 33-061-211



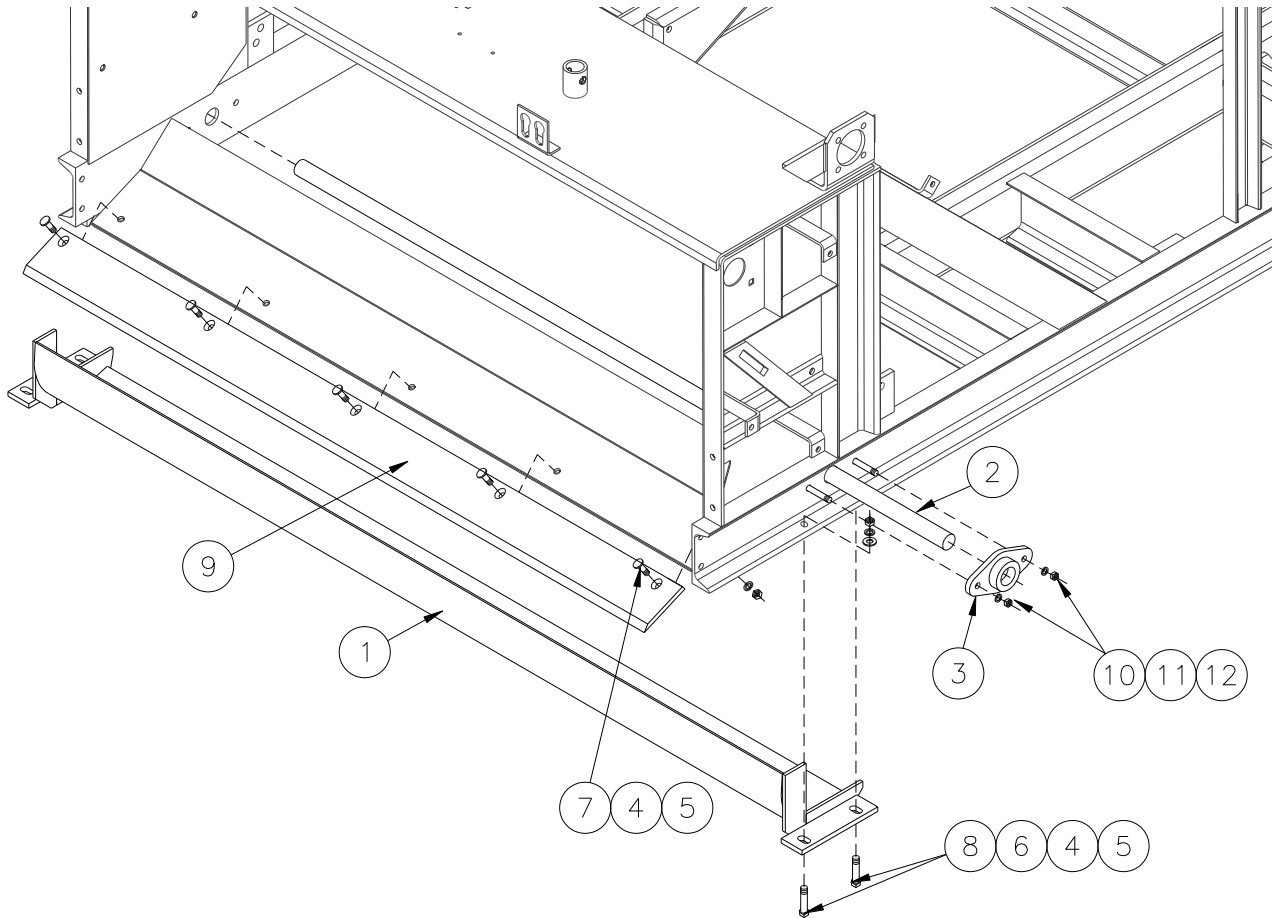
ITEM	PART NO	SERIAL NO OR YR	DESCRIPTION	QTY	
				STD	HVY
1	42-080-064		REEL, FEEDER	1	-
	42-080-154	(-2005)	REEL, FEEDER (HD)	-	(1)
	42-080-210	(2006-)	REEL, FEEDER (HD)	-	1
2	33-051-035		BEARING, 1 1/4 PILLOW BLOCK	2	2
3	66-010250		LOCKWASHER, 1/2 PLT	4	4
4	68-010250		HEX NUT, 1/2 PLT	4	4
5	62-010200		FLATWASHER. 1/2 STD PLT	4	4
6	48-090600		CAPSCREW, 1/2 X 2 G5 PLT	4	4

FEEDER REEL (2009 TO PRESENT)



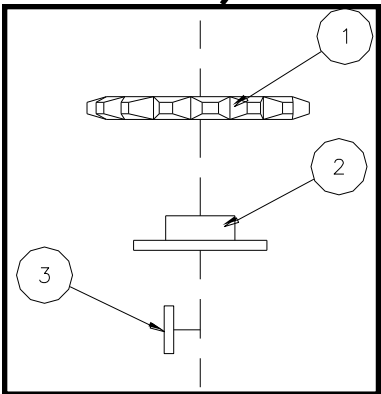
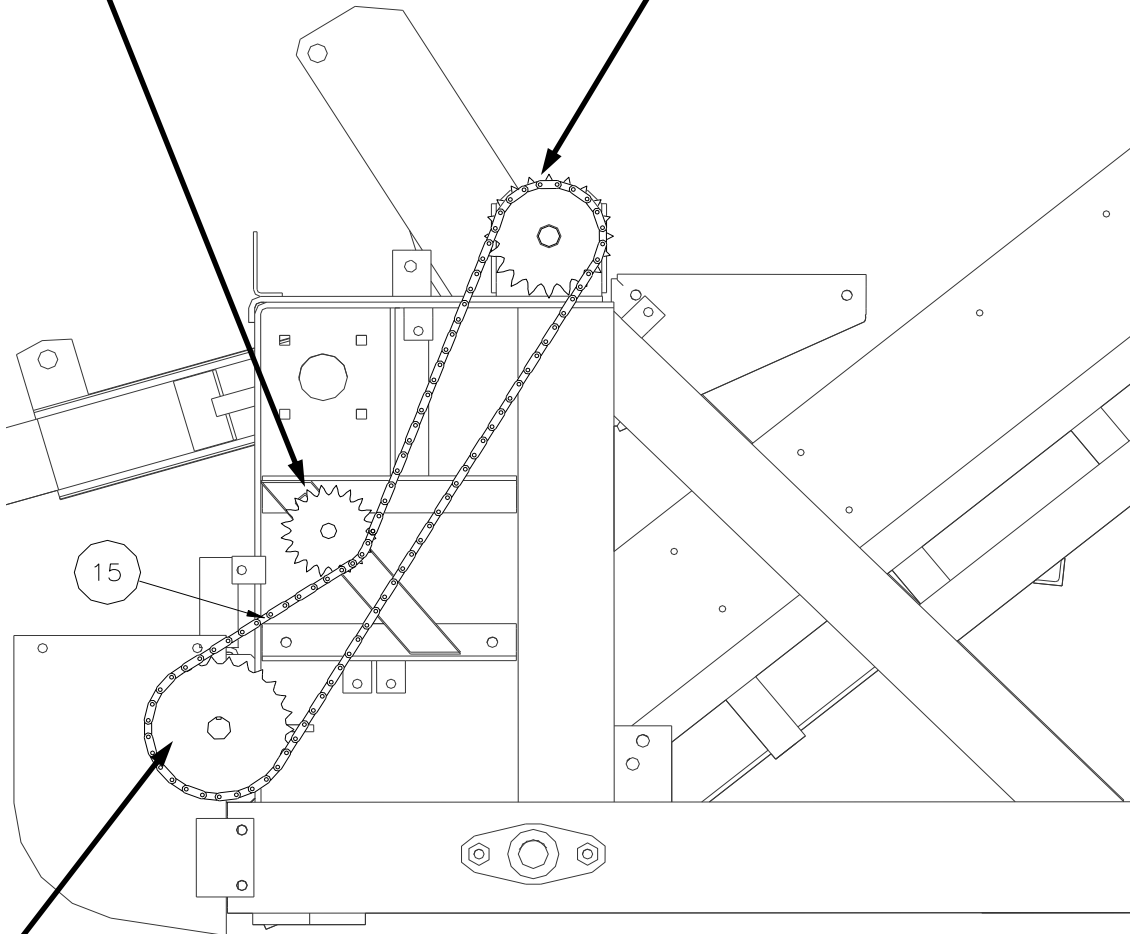
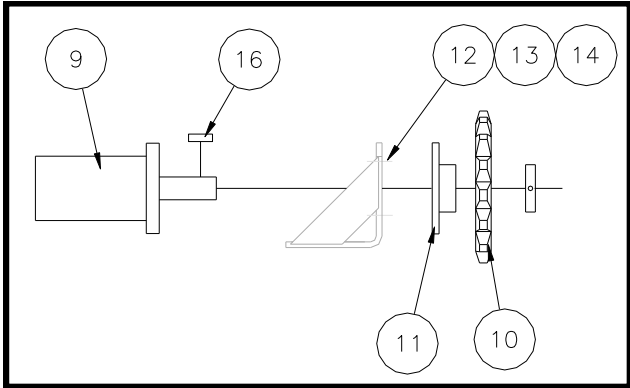
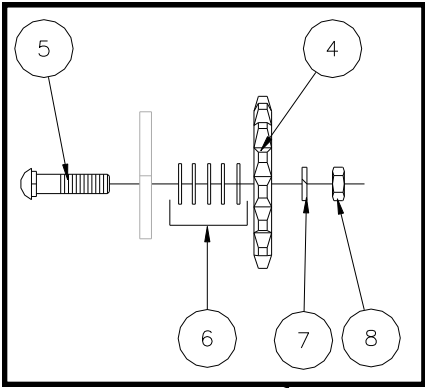
ITEM	PART NO	SERIAL NO OR YR	DESCRIPTION	QTY
1	42-080-321		REEL, HD. FEEDER	1
2	33-051-035		BEARING, 1 1/4 PILLOW BLOCK	2
3	48-090600		CAPSCREW, 1/2 X 2 G5 PLT	4
4	62-010200		FLATWASHER, 1/2 STD PLT	4
5	66-010250		LOCKWASHER, 1/2 PLT	4
6	68-010250		HEX NUT, 1/2 PLT	4

CONVEYOR TROUGH AND IDLER SHAFT

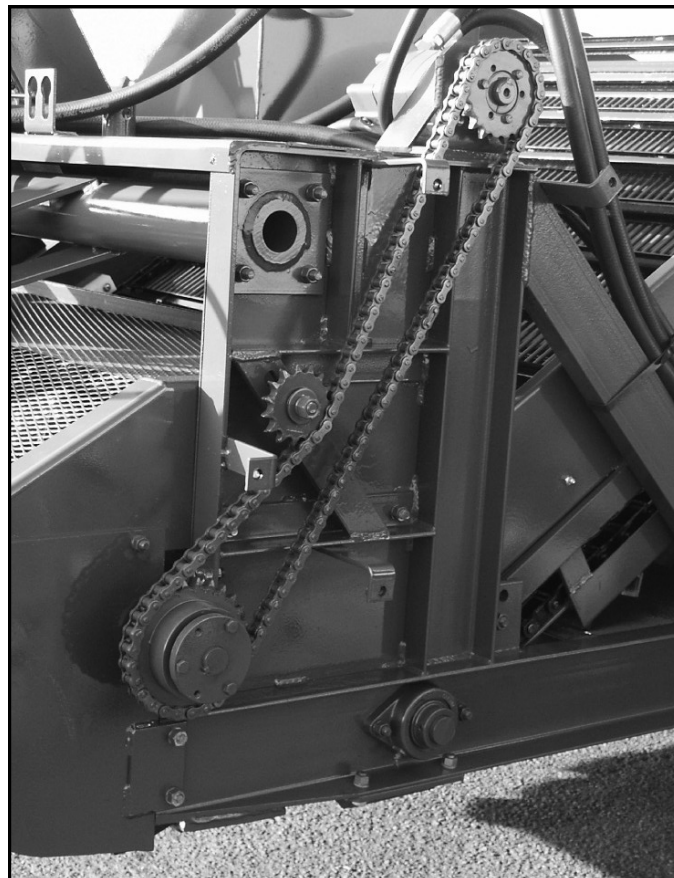


ITEM	PART NO	SERIAL NO OR YR	DESCRIPTION	QTY	
				STD	HVY
1	42-080-071		TROUGH, CONVEYOR	1	1
2	42-026-021		SHAFT, IDLER	1	-
	42-026-032		SHAFT, IDLER (HD)	-	1
3	42-051-002		BEARING UNIT, 1 1/4	2	-
	33-051-011		BEARING UNIT, 1 1/2	-	2
4	66-010250		LOCKWASHER, 1/2 PLT	13	13
5	68-010250		HEX NUT, 1/2 PLT	13	13
6	62-010200		FLATWASHER. 1/2 STD PLT	4	4
7	60-020100		PLOWSCREW, 1/2 X 1 3/4 #3 REG	5	5
8	48-090600		CAPSCREW, 1/2 X 2 G5 PLT	4	4
9	42-057-002		BLADE	1	1
10	48-090150		CAPSCREW, 3/8 X 1 1/4	4	4
11	66-010150		LOCKWASHER, 3/8	4	4
12	68-010150		HEXNUT, 3/8 PLT	4	4

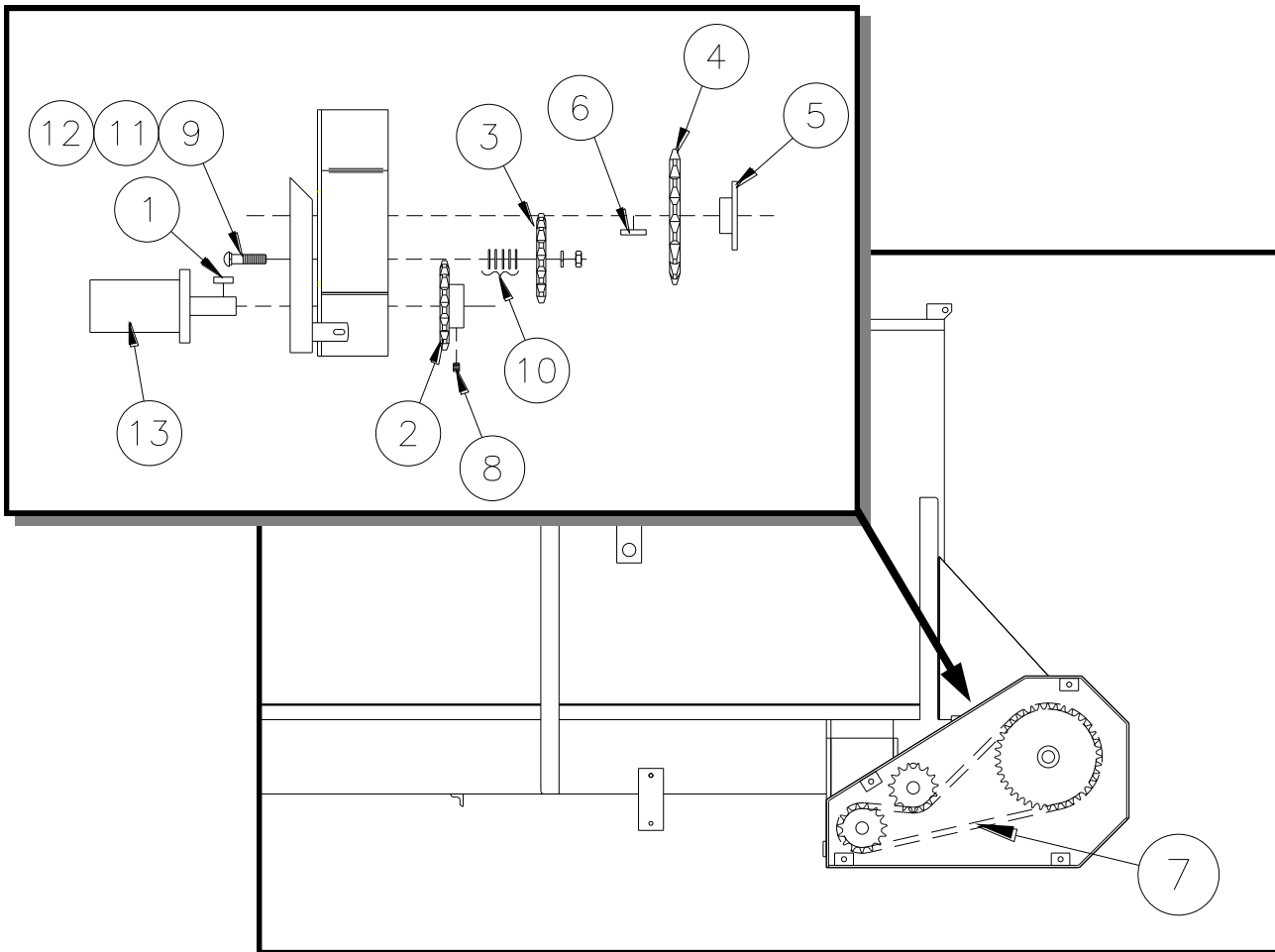
FEEDER REEL BEARINGS AND DRIVES



ITEM	PART NO	SERIAL NO OR YR	DESCRIPTION	QTY
1	33-052-043		SPROCKET, 60Q26	1
2	33-053-067		BUSHING, 1 1/4 TAPER	1
3	03-026-016		KEY, 1/4 X 2	1
4	33-052-015		SPROCKET, #60 CHAIN	1
5	52-050370		CARRIAGE SCREW, 5/8 X 2 3/4	1
6	62-010250		FLATWASHER, 5/8	5
7	66-010300		LOCKWASHER, 5/8	1
8	68-010300		HEX NUT, 5/8	1
9	42-061-003		MOTOR, HYD (FEEDER REEL)	1
	42-061-033		SEAL KIT	-
10	42-052-029		SPROCKET (H60SD20)	1
11	42-052-030		BUSHING, SDS 1 1/4	1
12	48-090596		CAPSCREW, 1/2 X 1 3/4	2
13	66-010250		LOCKWASHER, 1/2	2
14	68-010250		HEX NUT, 1/2	2
15	42-052-010		CHAIN, RC60H 108 PITCH	1
16	33-026-229		KEY, 5/16 X 1 1/4 SQ	1



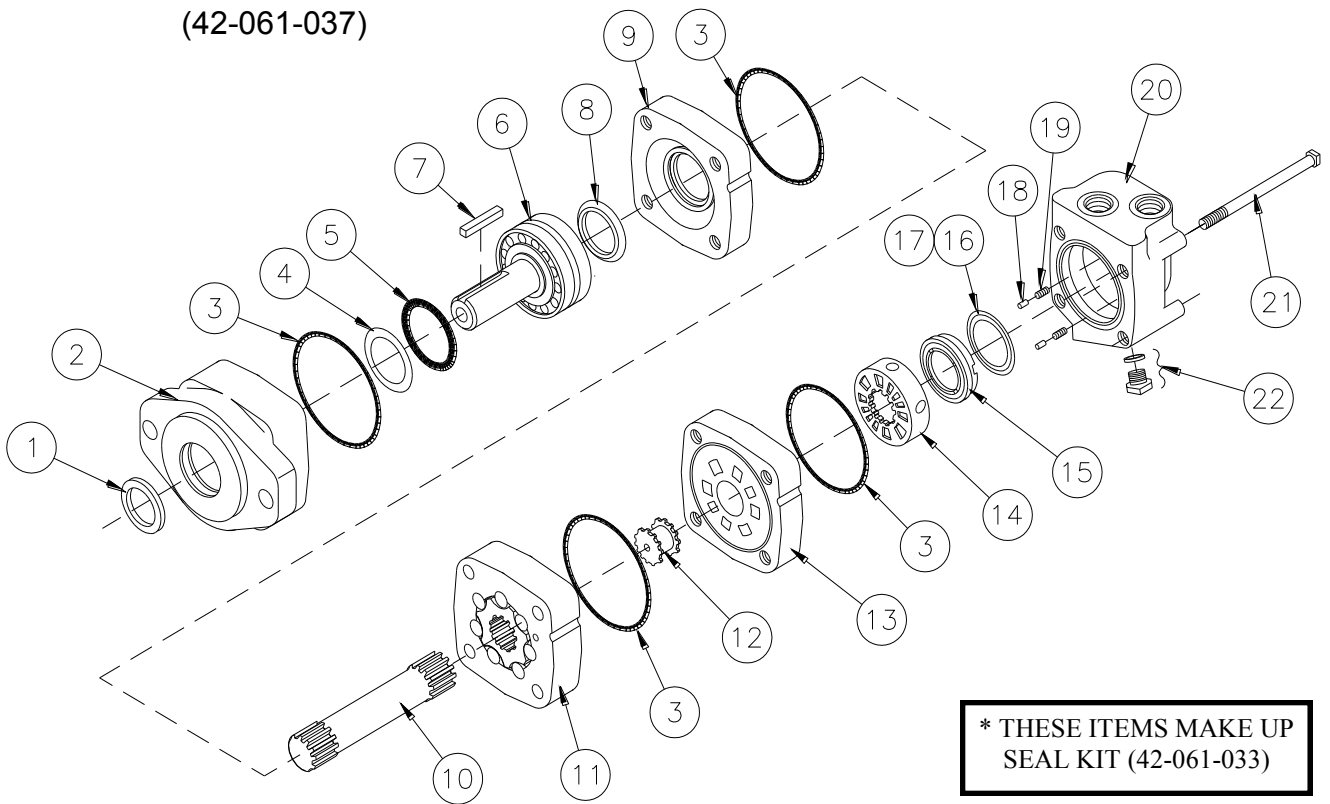
UNLOADER DRIVES



ITEM	PART NO	SERIAL NO OR YR	DESCRIPTION	QTY
1	33-026-229		KEY, 5/16 X 1 1/4 SQ	1
2	42-052-031		SPROCKET, (#60-15T)	1
3	33-052-015		SPROCKET, #60 CHAIN	1
4	42-052-005		SPROCKET, #60 Q45	1
5	42-052-004		BUSHING, Q1-1/2 TAPER	1
6	33-026-087		KEY, 3/8 X 2 1/2	1
7	33-052-066		CHAIN, RC-60H76P	1
8	54-020010		SETSCREW, 3/8 X 3/8 ALLEN HD	1
9	52-050370		CARRIAGE SCREW, 5/8 X 2 3/4	1
10	62-010250		FLATWASHER, 5/8 PLT	5
11	66-010300		LOCKWASHER, 5/8 PLT	1
12	68-010300		HEX NUT, 5/8 PLT	1
13	42-061-037		MOTOR, HYDRAULIC (UNLOADER)	1

UNLOADER REEL MOTOR

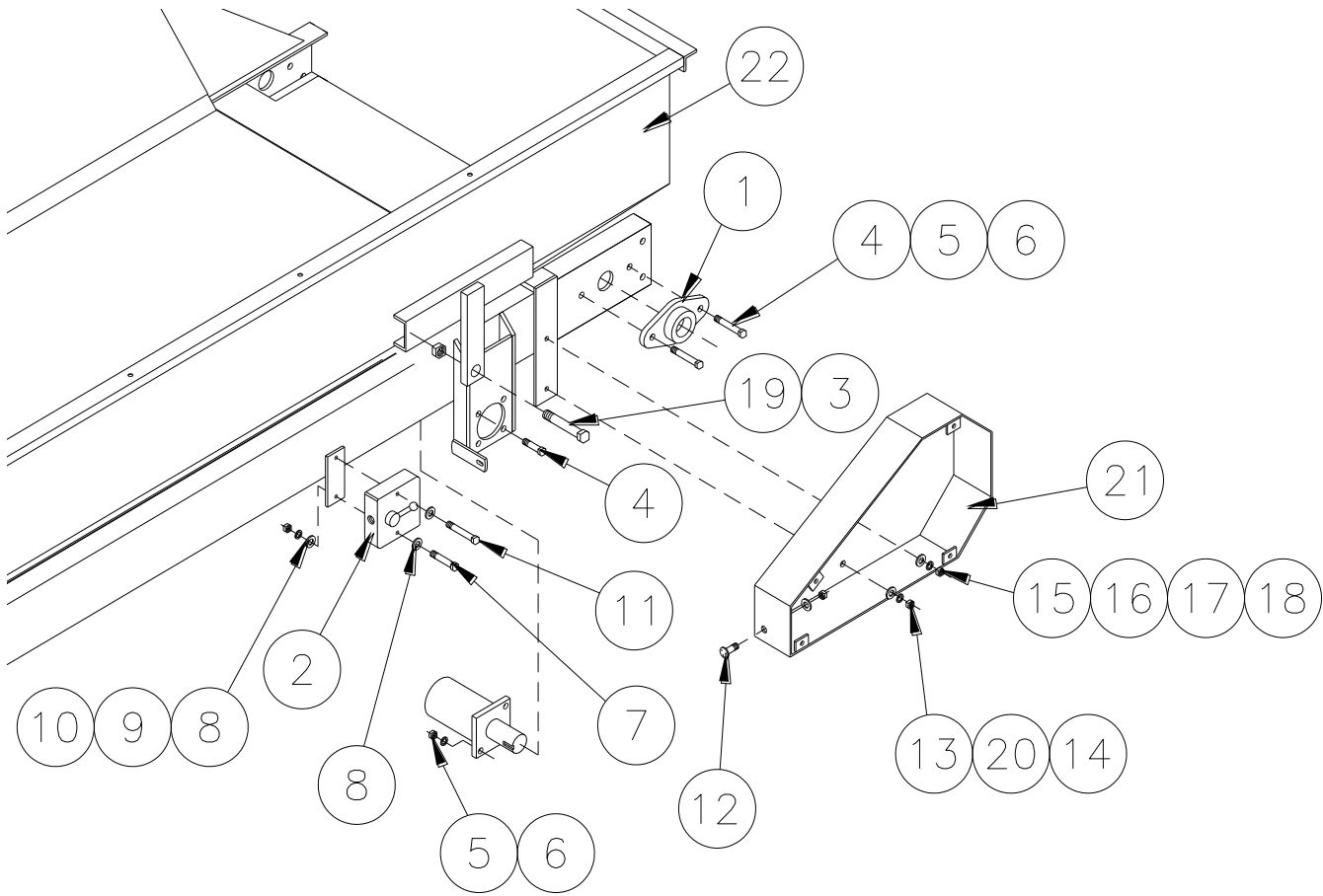
(42-061-037)



* THESE ITEMS MAKE UP
SEAL KIT (42-061-033)

ITEM	PART NO	SERIAL NO OR YR	DESCRIPTION	QTY
*1	42-061-125		SEAL, EXCLUSION	1
2	42-061-126		HOUSING, BEARING	1
*3	42-061-127		SEAL, 3" ID	4
*4	42-061-128		RING, BACKUP	1
*5	42-061-129		SEAL, SHAFT	1
6	42-061-130		SHAFT & BEARING, 1 1/4"	1
7	42-061-131		KEY	1
*8	42-061-132		SEAL, SHAFT FACE	1
9	42-061-133		PLATE, WEAR	1
10	42-061-135		DRIVE	1
11	42-061-137		GEROLER	1
12	42-061-138		DRIVE, VALVE	1
13	42-061-139		PLATE, VALVE	1
14	42-061-140		VALVE	1
15	42-061-141		BALANCE RING	1
*16	42-061-142		SEAL, FACE, INNER	1
*17	42-061-143		SEAL, FACE, OUTER	1
18	42-061-144		PIN	2
19	42-061-145		SPRING	2
20	42-061-146		HOUSING, VALVE	1
21	42-061-148		BOLT	4
22	42-061-149		PLUG ASSEMBLY, 7/16-20 UNF	1

REAR TANK



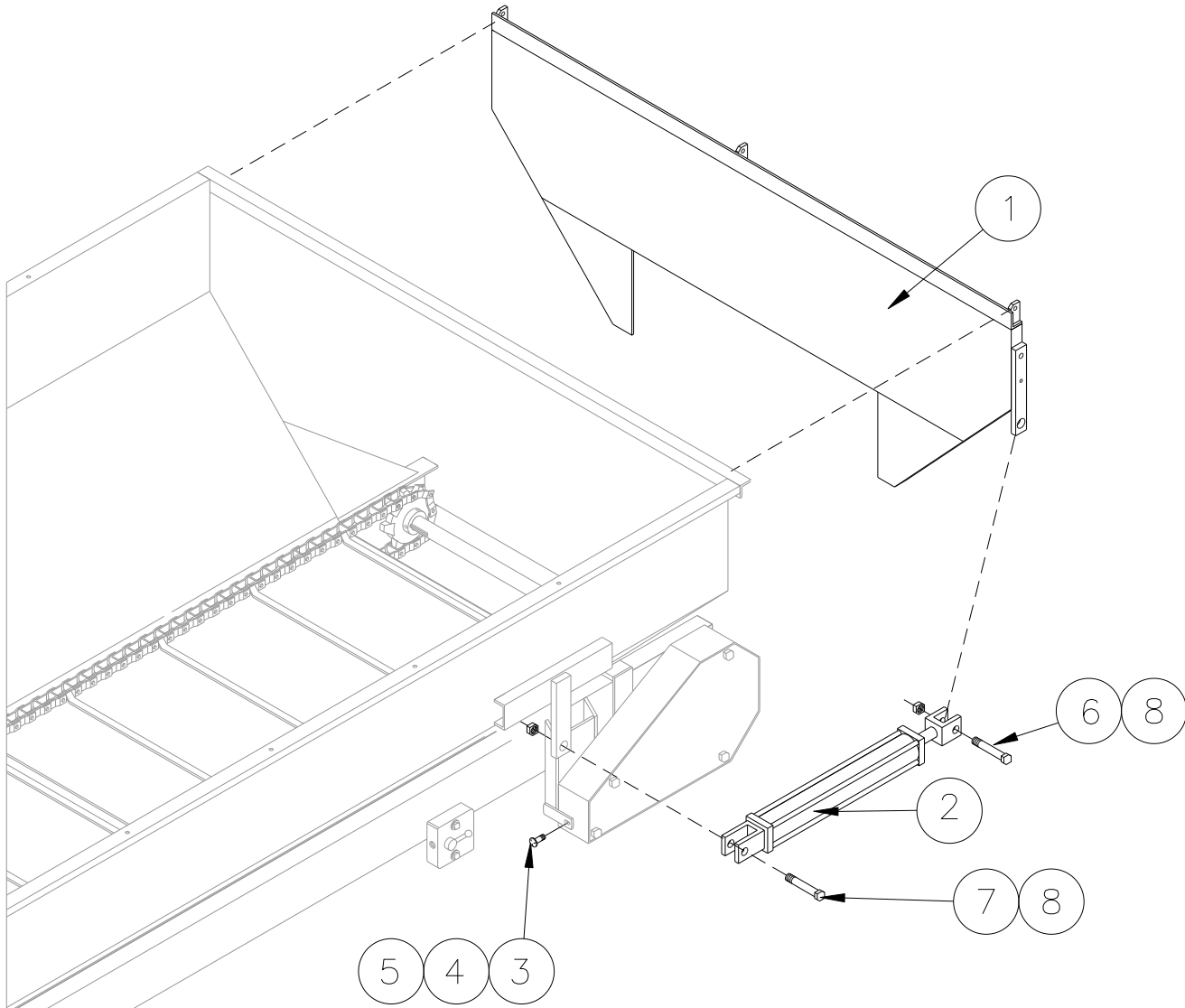
ITEM	PART NO	SERIAL NO OR YR	DESCRIPTION	QTY	
				STD	LP
1	33-051-011		BEARING UNIT, 1 1/2	2	2
2	09-061-006		VALVE, ADJ FLOW CONTROL	1	1
3	72-040100		JAM LOCKNUT, 1" NC HEX	2	2
4	48-090596		CAPSCREW, 1/2 X 1 3/4 G5 PLT	8	8
5	66-010250		LOCKWASHER, 1/2 PLT	8	8
6	68-010250		HEX NUT, 1/2 PLT	8	8
7	48-090032		CAPSCREW, 1/4 X 2 1/2 G5 PLT	1	1
8	62-010010		FLATWASHER, 1/4 PLT	3	3
9	66-010050		LOCKWASHER, 1/4 PLT	2	2
10	68-010050		HEX NUT, 1/4 PLT	2	2
11	48-090018		CAPSCREW, 1/4 X 3 G5 PLT	1	1
12	52-050010		CARRIAGE SCREW, 5/16 X 1 G5 PL	1	1
13	62-010050		FLATWASHER, 5/16 PLT	1	1
14	68-010100		HEX NUT, 5/16 PLT	1	1
15	48-090150		CAPSCREW, 3/8 X 1 1/4 G5 PLT	2	2

ITEM	PART NO	SERIAL NO OR YR	DESCRIPTION	QTY	
				STD	LP
16	62-010100		FLATWASHER, 3/8 PLT	2	2
17	68-010150		HEX NUT, 3/8 PLT	2	2
18	66-010150		LOCKWASHER, 3/8 PLT	2	2
19	48-100550		CAPSCREW, 1 X 4 1/2 G5 PLT	1	1
20	66-010100		LOCKWASHER, 5/16 PLT	1	1
21	42-080-080		SHIELD, REAR COVER	1	1
22	42-080-025		FRAME, MAIN	1	-
	42-080-118		FRAME, MAIN (LP)	-	1

FOR HEAVY DUTY MACHINES ONLY

ITEM	PART NO	SERIAL NO OR YR	DESCRIPTION	QTY	
				STD	LP
22	42-080-162		FRAME, MAIN (HDSTD)	1	-
	42-080-159		FRAME, MAIN (HDLP)	-	1

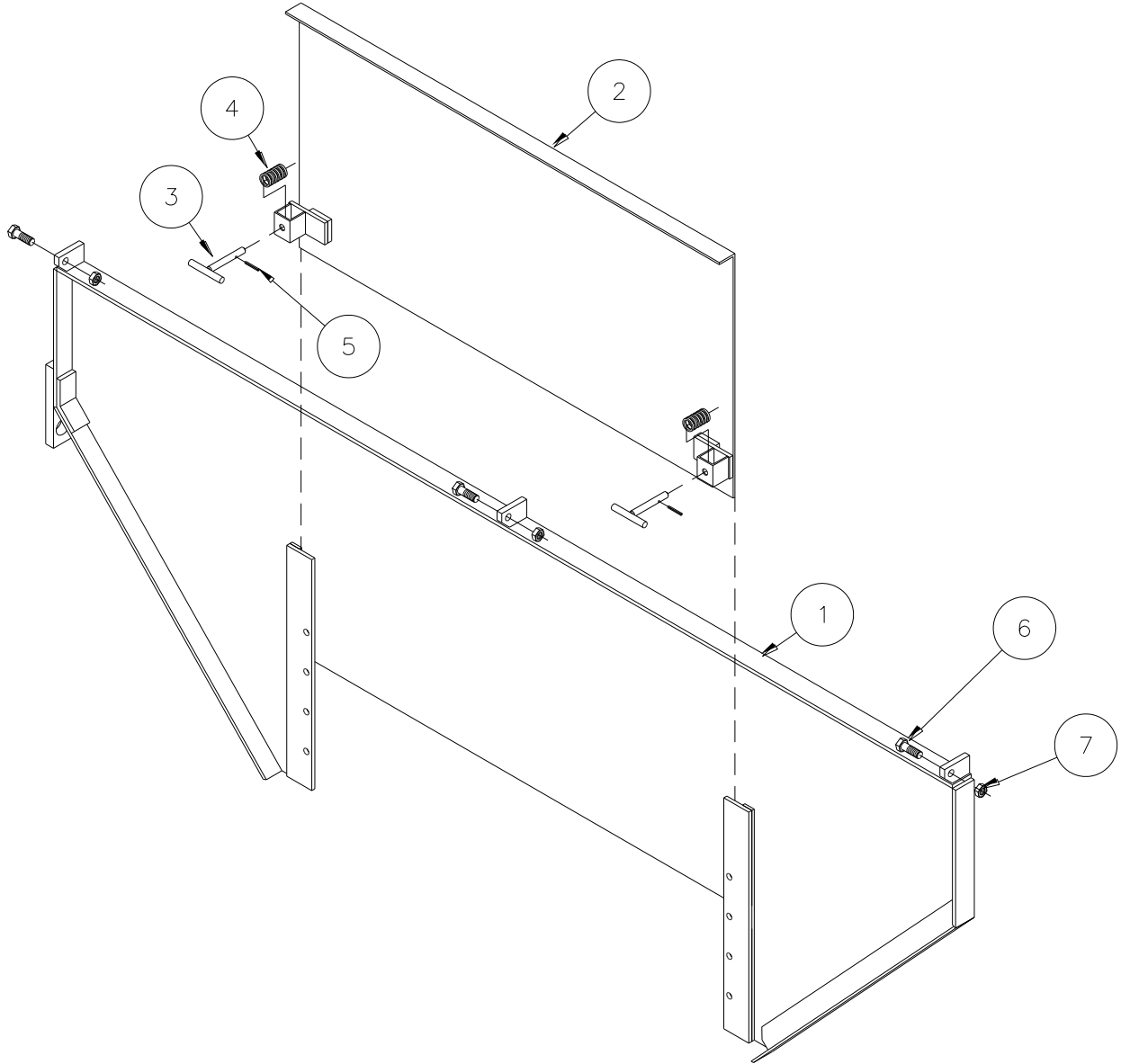
REAR TANK DOOR



ITEM	PART NO	SERIAL NO OR YR	DESCRIPTION	QTY	
				STD	LP
1	42-081-011		DOOR, REAR DUMP	1	-
	42-081-013		DOOR, REAR DUMP	-	1
2	42-061-112	(-2013)	CYLINDER, 2" X 16"	(1)	-
	42-061-271	(2014-)	CYLINDER, 2 X 16 X 1 .125	1	-
	42-061-113	(-2013)	CYLINDER, 2" X 10"	-	(1)
	42-061-272	(2014-)	CYLINDER, 2 X 10 X 1.125	-	1
3	52-050010		CARRIAGE SCREW, 5/16 X 1 G5 P	1	1
4	62-010050		FLATWASHER, 5/16 PLT	1	1
5	68-010100		HEX NUT, 5/16 PLT	1	1
6	48-100550		CAPSCREW, 1 X 4 1/2 G5 PLT	1	1
7	48-100530		CAPSCREW, 1 X 4 G5 PLY	1	1
8	72-040100		JAM LOCKNUT, 1 NC HEX	2	2

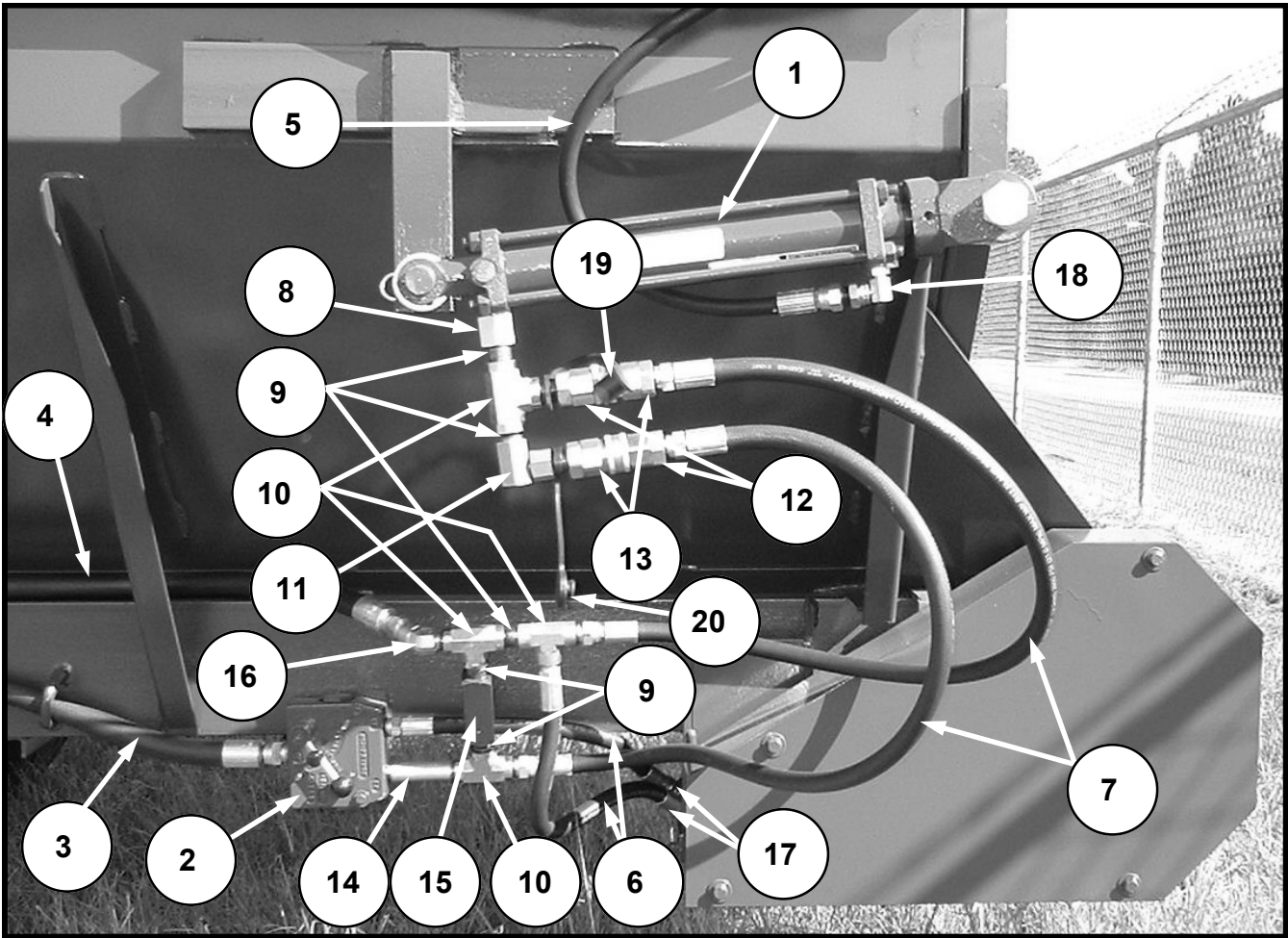
REAR DOOR
(42-081-011)

L.P. REAR DOOR
(42-081-013)



ITEM	PART NO	SERIAL NO OR YR	DESCRIPTION	QTY	
				-011	-013
1	42-080-103		DOOR, REAR '95	1	-
	42-080-123		DOOR, REAR (LP)	-	1
2	42-080-105		METER, DOOR	1	1
3	42-080-083		PIN, DOOR	2	2
4	33-050-064		SPRING, 1/2 X 1 1/2	2	2
5	17-050-008		ROLL PIN, 1/8 X 3/4	2	2
6	48-090150		CAPSCREW, 3/8 X 1 1/4	3	3
7	72-010050		LOCKNUT, 3/8	3	3

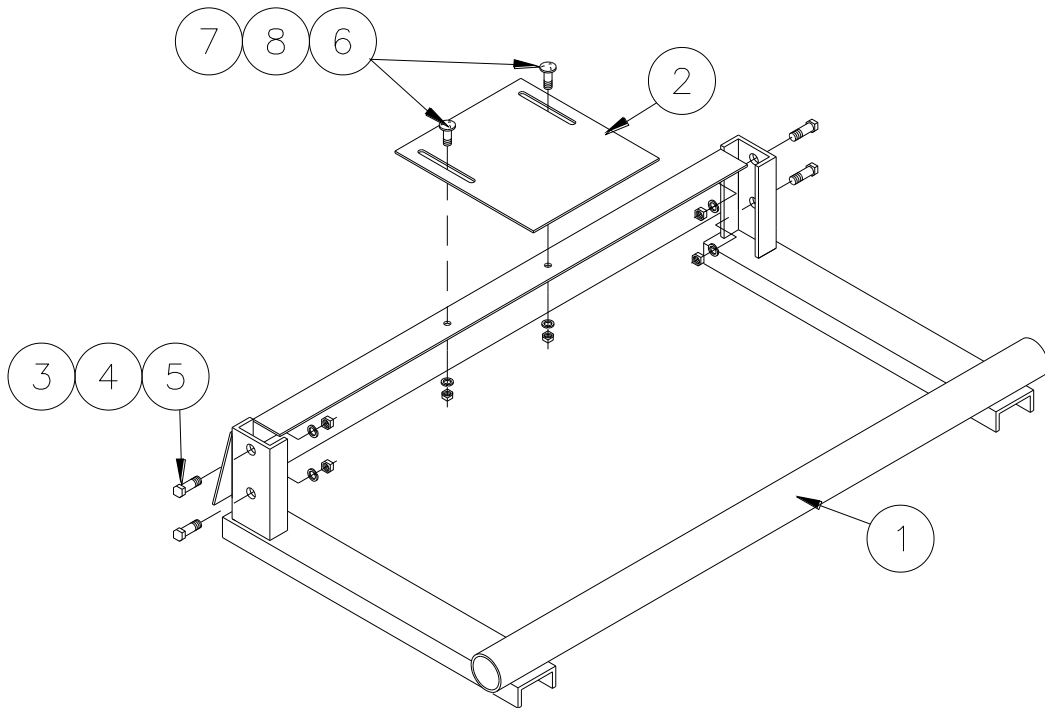
REAR TANK DOOR PLUMBING



ITEM	PART NO	SERIAL NO OR YR	DESCRIPTION	QTY	
				STD	LP
1	42-061-112	(-2013)	CYLINDER, 2" X 16"	(1)	-
	42-061-271	(2014-)	CYLINDER, 2 X 16 X 1.125	1	-
	42-061-113	(-2013)	CYLINDER, 2" X 10"	-	(1)
	42-061-272	(2014-)	CYLINDER, 2 X 10 X 1.125	-	1
2	09-061-006		VALVE, ADJ FLOW CONTROL	1	1
3	42-059-021		HOSE, 12M3K-8MP-8MPX-280"	1	1
4	42-059-020		HOSE, 12M3K-8MP-12MPX-200"	1	1
5	42-059-011	(-2013)	HOSE, 6M3K-6MP-8MPX-36"	(1)	(1)
	33-059-001	(2014-)	HOSE, 6M3K-8MP-8MPX-36"	1	1
6	42-059-007		HOSE, 8M3K-8MP-8MPX-20"	2	2
7	42-059-006		HOSE, 8M3K-8MP-8MPX-45"	2	2
8	42-059-024	(-2013)	ADAPTER, 6MB-8FP	(1)	(1)
	21-061-028	(2014-)	ADAPTER, 8MB-8FP	1	1
9	07-050-002		NIPPLE, 1/2" X 1 1/2" NPT	6	6
10	07-050-001		TEE, 1/2" NPT	4	4
11	08-059-006		ELL, 1/2" HYD STREET	1	1
12	42-061-042		HYDRAULIC NIPPLE, 1/2" NPT	2	2

ITEM	PART NO	SERIAL NO OR YR	DESCRIPTION	QTY	
				STD	LP
13	42-061-041		HYDRAULIC COUPLER	2	2
14	42-050-018		NIPPLE, 1/2 X 4 NPT	1	1
15	42-061-002		VALVE, CHECK	1	1
16	42-050-020		ELL, 45° STREET (1/2 NPT)	1	1
17	42-059-017		ADAPTER (UNLOADER MOTOR)	2	2
18	42-059-015	(-2013)	ADAPTER, 6MB-6FJX - 90°	(1)	(1)
	42-059-022	(2014-)	ADAPTER, 8MB-8FPX - 90°	1	1
19	42-061-066		CAP, HYD COUPLER	1	1
20	42-061-067		PLUG, HYD COUPLER	1	1

REAR GUARD
(42-082-008)



ITEM	PART NO	SERIAL NO OR YR	DESCRIPTION	QTY
1	42-080-128		REAR GUARD, '97	1
2	42-027-032		DIVERTER	1
3	48-090930		CAPSCREW, 5/8 X 1 1/2 G5 P	4
4	68-010300		HEX NUT, 5/8 PLT	4
5	66-010300		LOCKWASHER, 5/8 PLT	4
6	52-050035		CARRIAGE SCREW, 3/8 X 1	2
7	66-010150		LOCKWASHER, 3/8 PLT	2
9	68-010150		HEX NUT, 3/8 PLT	2

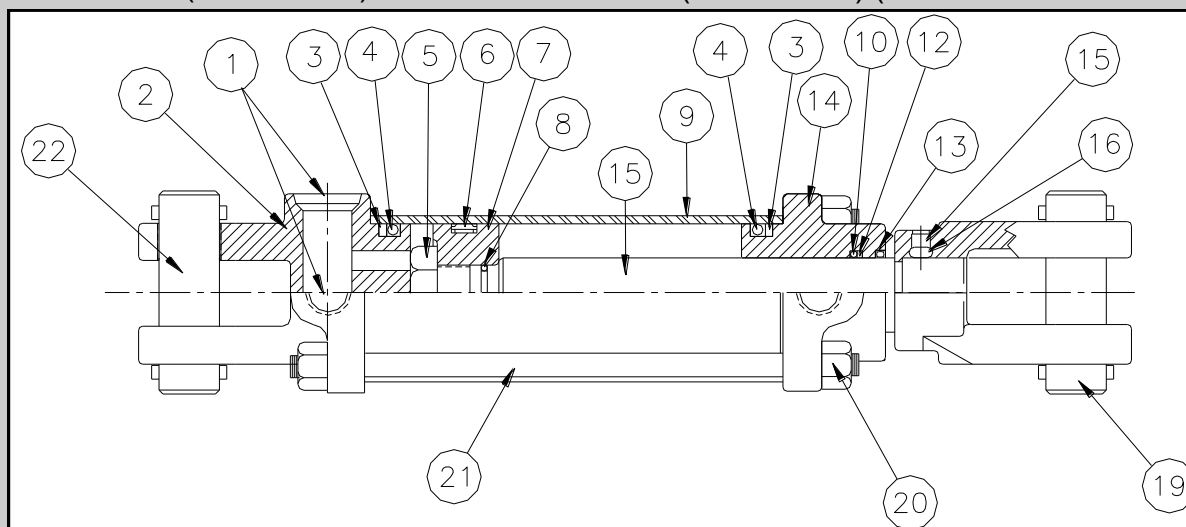
ENERGY CYLINDER (USED ON MACHINES BEFORE 2014)

2 X 16 HYDRAULIC CYLINDER

(42-061-112)

2 X 10 HYDRAULIC CYLINDER

(42-061-113) (For Low Profile Machines)



ITEM	PART NO	SERIAL NO OR YR	DESCRIPTION	QTY	
				-112	-113
1	42-061-063		PLUG, ORING BOSS SAE	2	2
2	42-061-115		BOTTOM CLEVIS, 2"	1	1
3	42-061-116		BACKUP RING	2	2
4	42-061-117		O-RING, 1.812 X 2.00	2	2
5	42-061-021		JAM NUT, 7/8-14	1	1
6	42-056-004		PISTON SEAL, 2.00 B	1	1
7	03-061-008		PISTON	1	1
8	33-056-041		ORING, .75 X .875	1	1
9	42-061-023		WALL, 2" ID X .125W X 18.50	1	-
	42-061-053		WALL, 2" ID X .125W X 12.50	-	1
10	42-061-118		SEAL POLY, 1.125 X 1.375	1	1
11	42-061-065		PLUG, O-RING BOSS 9/16-18	1	1
12	42-061-026		BACKUP RING, 1.125	1	1
13	42-061-119		WIPER RING, 1.125	1	1
14	42-061-120		GUIDE, 2" OD - 1.125	1	1
15	42-061-121		ROD, 1.125 X 20.875	1	-
	42-061-124		ROD, 1.125 X 14.875	-	1
16	33-061-036		BALL, NYLON	1	1
17	54-020010		SETSCREW, 3/8 X 3/8	1	1
18	42-061-122		ROD CLEVIS, 1.12-12	1	1
19	21-061-072		CLEVIS PIN AND CLIP	1	1
20	42-061-030		HEX NUT, 7/16-14	8	8
21	42-061-032		TIE ROD, 0.385 X 20.75	4	-
	42-061-055		TIE ROD, 0.385 X 14.75	-	4
22	42-061-058		CLEVIS PIN WITH CLIP, 1" DIA	1	1

*Seal Kit Number is 42-061-123

2 X 16 X 1.125 HYDRAULIC CYLINDER (BAILEY)

(42-061-271)

(Used on Machines From 2014 to Present)

Bailey's Hydraulic Cylinder (42-061-271) will replace Energy's Hydraulic Cylinder (42-061-112).
Bailey will not sale any repair parts except for a Seal Kit.

USE SEAL KIT # 42-061-273

2 X 10 X 1.125 HYDRAULIC CYLINDER

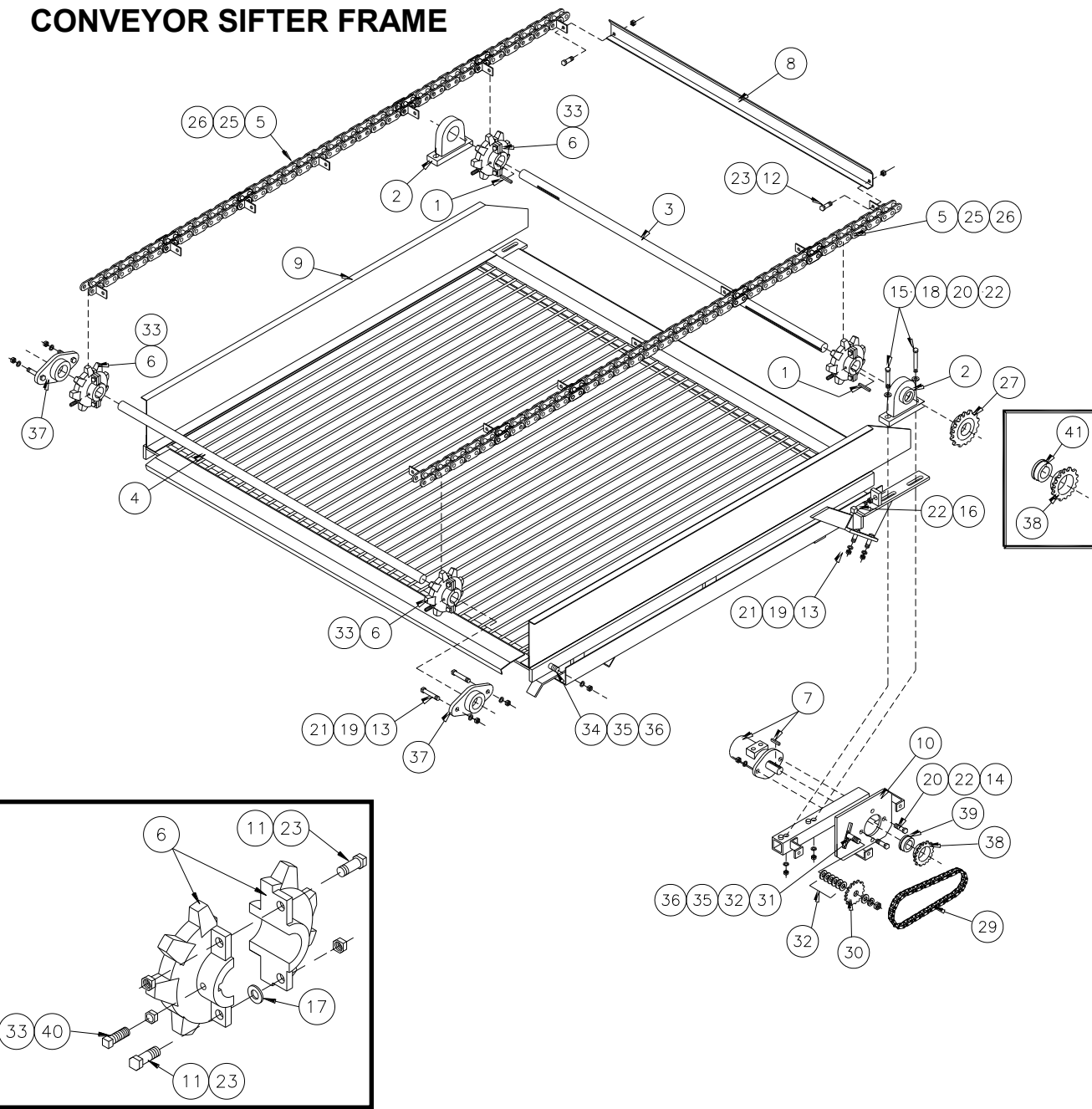
(42-061-272) (Low Profile)

(Used on Machines From 2014 to Present)

Bailey's Hydraulic Cylinder (42-061-272) will replace Energy's Hydraulic Cylinder (42-061-113).
Bailey will not sale any repair parts except for a Seal Kit.

USE SEAL KIT # 42-061-274

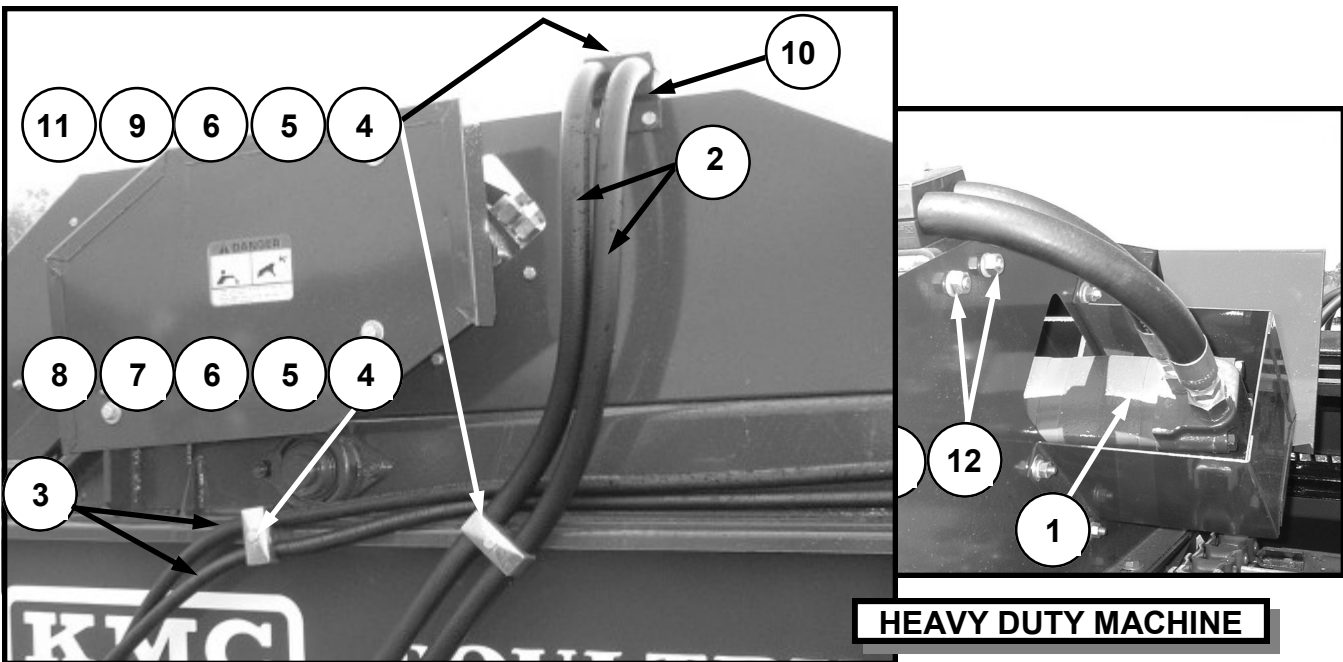
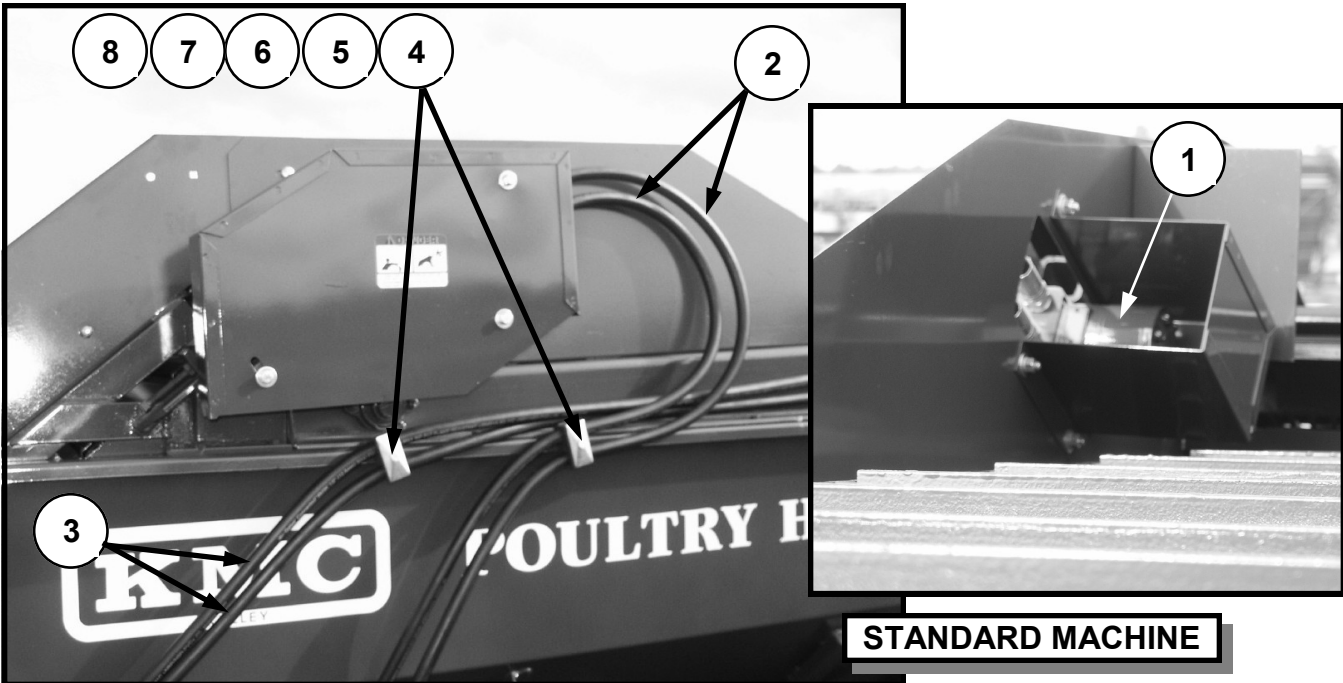
CONVEYOR SIFTER FRAME



ITEM	PART NO	SERIAL NO OR YR	DESCRIPTION	QTY			
				STD		HEAVY	
				STD	LP	STD	LP
1	03-026-016		KEY, 1/4 X 2	2	2	2	2
2	33-051-035		BEARING, 1 1/4 PILLOW	2	2	-	-
	42-051-004		BEARING, 1 1/2 PILLOW	-	-	2	2
3	42-026-044		SHAFT, SIFTER	1	1	-	-
	42-026-033		SHAFT, SIFTER (HD)	-	-	1	1
4	42-026-021		SHAFT, IDLER	1	1	-	-
	42-026-032		SHAFT, IDLER (HD)	-	-	1	1
5	42-052-039		CHAIN (662-92), PAIR	1	1	-	-
	42-052-047		CHAIN (667X-72) PAIR	-	-	1	1
6	42-052-046		SPROCKET, SPLIT 662-8T	4	4	4	4
7	42-061-018		HYDRAULIC MOTOR	1	1	-	-
	42-061-037		HYDRAULIC MOTOR (HD)	-	-	1	1

ITEM	PART NO	SERIAL NO OR YR	DESCRIPTION	QTY			
				STD		HEAVY	
				STD	LP	STD	LP
8	42-080-068		BAR, SIFTER CONVEYOR	23	23	-	-
	42-080-155		BAR, SIFTER CONVEYOR (HD)	-	-	24	24
9	42-080-160		FRAME, CONVEYOR	1	-	-	-
	42-080-178		FRAME, CONVEYOR (LP)	-	1	-	-
	42-080-164		FRAME, CONVEYOR (HD)	-	-	1	-
	42-080-136		FRAME, CONVEYOR (HDLP)	-	-	-	1
10	42-080-141		MOUNT, SIFTER MOTOR	1	-	-	-
	42-080-138		BRKT, LEVELER INBOARD MOTOR	-	1	-	-
	42-080-146		BRACKET, SIFTER MOTOR	-	-	1	1
11	48-090170		CAPSCREW, 3/8 X 1 1/2 G5 PLT	8	8	8	8
12	48-090100		CAPSCREW, 3/8 X 1 G5 PLT	46	46	48	48
13	48-090150		CAPSCREW, 3/8 X 1 1/4 G5 PLT	8	8	8	8
14	48-090596		CAPSCREW, 1/2 X 1 3/4 G5 PLT	2	2	2	2
15	48-090625		CAPSCREW, 1/2 X 2 1/2 G5 PLT	4	4	4	4
16	54-010262		SETSCREW, 1/2 X 4 CUPPT	2	2	2	2
17	42-050-031		WASHER, 1 X 7/16 X .055 PLT	4	4	4	4
18	62-010200		FLATWASHER, 1/2 STD PLT	4	4	4	4
19	66-010150		LOCKWASHER, 3/8 PLT	8	8	8	8
20	66-010250		LOCKWASHER, 1/2 PLT	8	8	8	8
21	68-010150		HEX NUT, 3/8 PLT	4	4	4	4
22	68-010250		HEX NUT, 1/2 PLT	6	6	6	6
23	72-020030		LOCKNUT, 3/8 G"C" PLT	54	54	56	56
24	42-052-022		CONNECTOR LINK (LT)(662)W/(G-50)	1	1	1	1
25	42-052-023		CONNECTOR LINK (RT)(662)W/(G-50)	1	1	1	1
26	42-052-027		CONNECTOR LINK, (662)	2	2	2	2
27	42-080-201		SPROCKET, 60-15T (1 1/4)	1	1	1	1
28	42-052-034		SPROCKET, 1 1/4" BORE	1	1	1	1
29	42-052-053		CHAIN, RC-60H52P	1	1	1	1
30	33-052-015		SPROCKET, #60 CHAIN	1	1	1	1
31	52-050370		CARRIAGE SCREW, 5/8 X 2 3/4	1	1	1	1
32	62-010250		FLATWASHER, 5/8	7	7	7	7
33	54-010020		SETSCREW, 5/16 X 3/8 SQ HD CUPPT	4	4	4	4
34	48-090950		CAPSCREW, 5/8 X 2 G5 PLT	2	2	2	2
35	66-010300		LOCKWASHER, 5/8 PLT	3	3	3	3
36	68-010300		HEX NUT, 5/8 PLT	3	3	3	3
37	42-051-002		BEARING, FLANGE 1 1/4	2	2	2	2
38	42-052-052		SPROCKET, H60SH15	1	1	2	2
39	42-052-051		BUSHING, SH-1	1	1	-	-
	42-052-056		BUSHING, SH 1 1/4	-	-	1	1
40	70-010025		JAM NUT, 5/16	4	4	4	4
41	42-052-057		BUSHING, SH 1 1/2	-	-	1	1

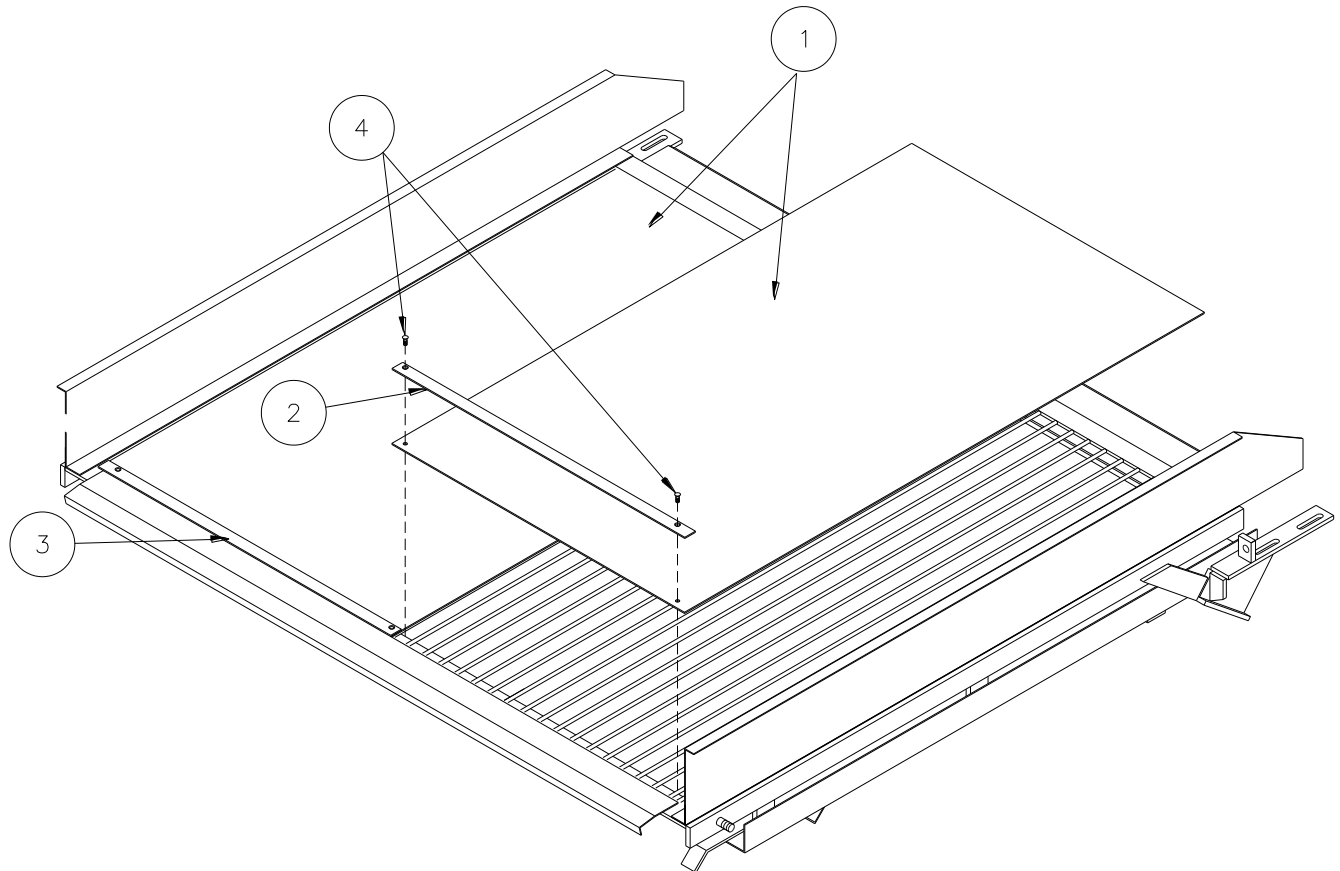
SIFTER MOTOR HYDRAULICS



ITEM	PART NO	SERIAL NO OR YR	DESCRIPTION	QTY			
				STD		HEAVY	
				STD	LP	STD	LP
1	42-061-018		MOTOR, HYDRAULIC (SIFTER)	1	1	-	-
	42-061-037		MOTOR, HYDRAULIC (HD)	-	-	1	1
2	46-059-001		HOSE, 8M3K-8MP-8MPX-160"	2	2	-	-
	42-059-028		HOSE, 12M3K-8MP-8MPX-140"	-	-	2	2
3	42-059-002		HOSE, 8M3K-8MPX-8MPX-220"	2	2	2	2
4	48-090050		CAPSCREW, 5/16 X 2 1/2	2	2	3	3

ITEM	PART NO	SERIAL NO OR YR	DESCRIPTION	QTY			
				STD		HEAVY	
				STD	LP	STD	LP
5	66-010100		LOCKWASHER, 5/16	2	2	5	5
6	68-010100		HEX NUT, 5/16	2	2	5	5
7	33-050-246		CLAMP, HOSE	2	2	1	1
8	33-050-160		COVER PLATE	2	2	1	1
9	42-050-026		CLAMP, 3/4" HOSE	-	-	2	2
10	42-023-204		SUPPORT, HOSE BRACKET	-	-	1	1
11	42-050-027		PLATE, COVER	-	-	2	2
12	48-090043		CAPSCREW, 5/16 X 3/4	-	-	2	2

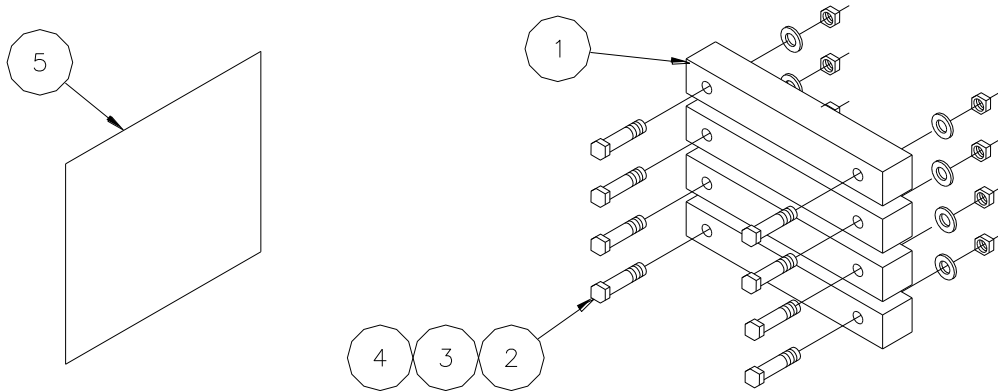
SIFTER FRAME POLYETHYLENE PANELS



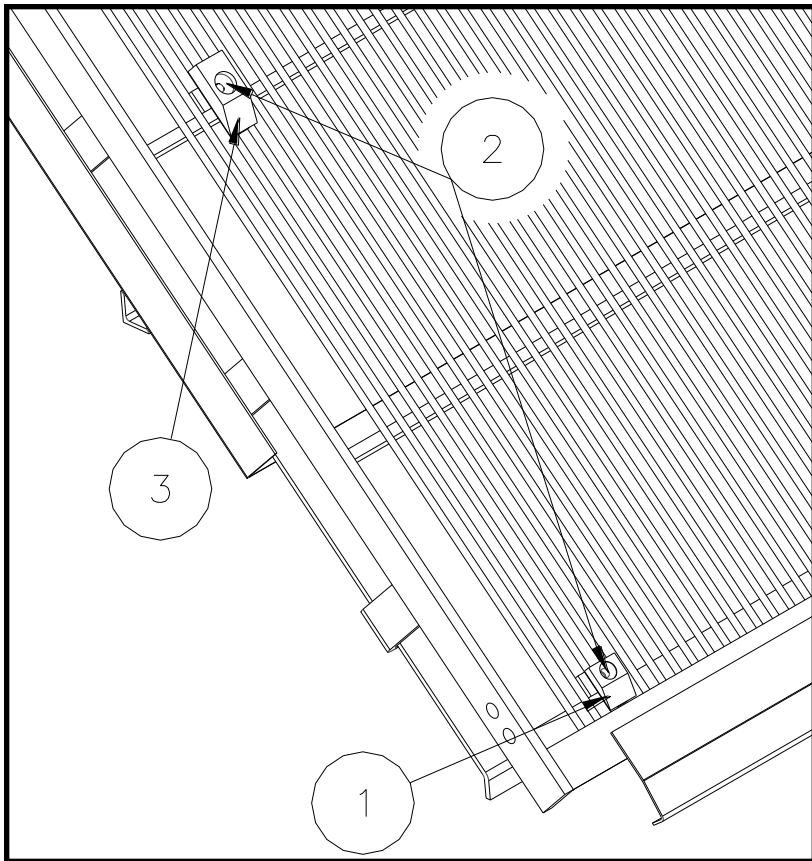
ITEM	PART NO	SERIAL NO OR YR	DESCRIPTION	QTY
1	42-027-160		PANEL, POLYETHYLENE	2
2	42-027-161		PLATE, LT HOLD DOWN	1
3	42-027-162		PLATE, RT HOLD DOWN	1
4	60-030401		CNTRSNK SCREW, 3/8 X 1 SOC HD	4

HOLD DOWN BLOCK KIT

(42-081-020)



ITEM	PART NO	SERIAL NO OR YR	DESCRIPTION	QTY
1	42-026-031		BLOCK, HOLD DOWN	4
2	48-090040		CAPSCREW, 5/16 X 2 1/4 G5 PLT	8
3	62-010050		FLATWASHER, 5/16 PLT	8
4	72-010025		LOCKNUT, 5/16 PLT	8
5	42-008		INSTRUCTIONS, HOLD DOWN	1

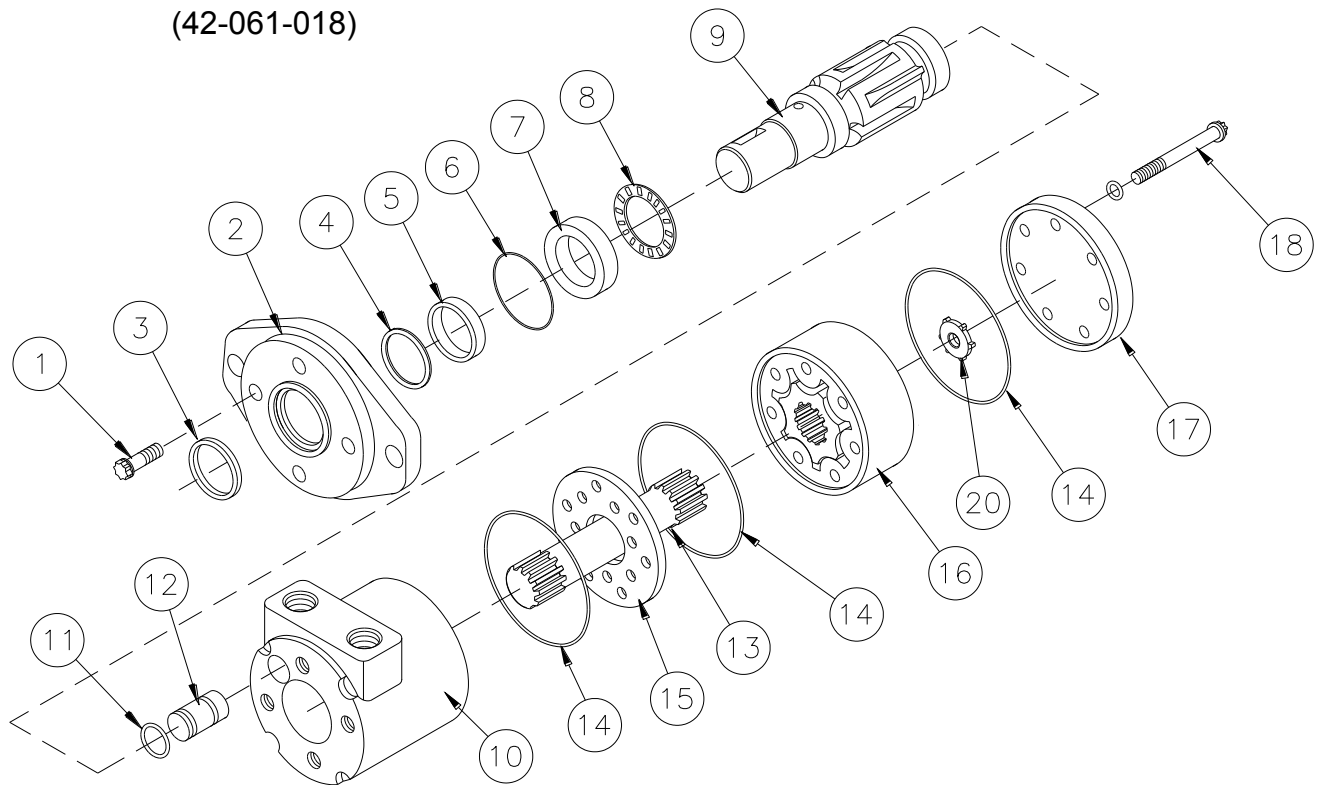


BUMP PADS (42-081-031)

ITEM	PART NO	SERIAL NO OR YR	DESCRIPTION	QTY
1	42-026-029		PAD, BUMP	2
2	60-030401		SOC HD CNTRSNK C/S, 3/8 X 1 G5 PLT	4
3	42-026-043		BUMP PAD, TALL	2

SIFTER MOTOR

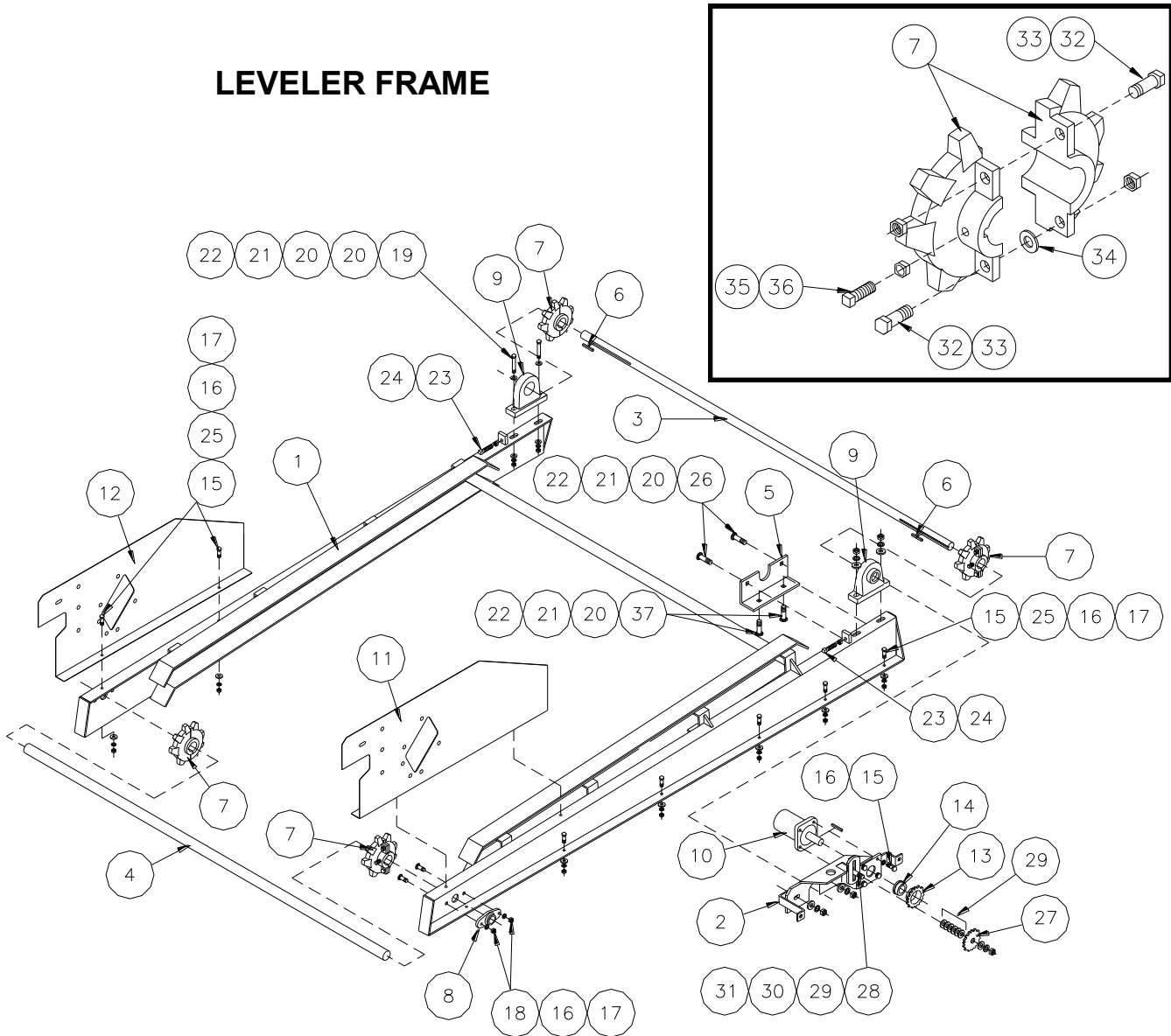
(42-061-018)



ITEM	PART NO	SERIAL NO OR YR	DESCRIPTION	QTY
1	42-061-070		CAPSCREW, 5/16 X 7/8 UNF	4
2	42-061-069		FLANGE MOUNTING (2-BOLT)	1
*3	42-061-098		SEAL, EXCLUSION	1
*4	42-061-099		WASHER, BACK-UP	1
*5	42-061-100		SEAL, PRESSURE	1
*6	42-061-101		SEAL	1
7	42-061-102		RACE, THRUST BEARING	1
8	42-061-103		BEARING, THRUST NEEDLE	1
9	42-061-104		SHAFT, OUTPUT	1
10	42-061-105		HOUSING, 1/2 NPTF PORTS	1
*11	42-061-072		O-RING	1
12	42-061-073		PLUG	1
13	42-061-106		DRIVE	1
*14	42-061-107		SEAL	3
15	42-061-108		PLATE, SPACER	1
16	42-061-109		GEROTOR	1
17	42-061-110		CAP, END	1
18	42-061-111		CAPSCREW, 5/16 X 2 7/8 UNF	7

*These Parts make up Hydraulic Motor Seal Kit (42-061-031)

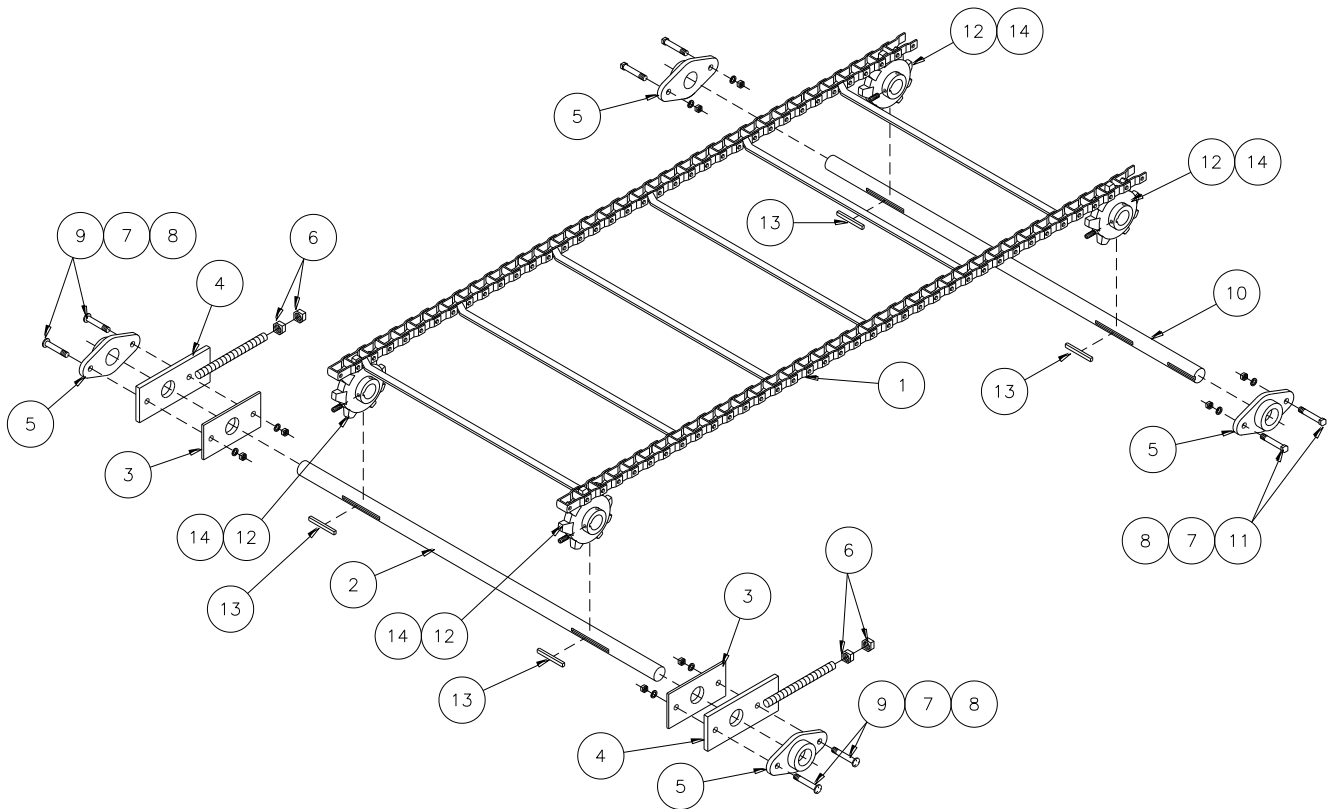
LEVELER FRAME



ITEM	PART NO	SERIAL NO OR YR	DESCRIPTION	QTY			
				STD		HEAVY	
				STD	LP	STD	LP
1	42-080-001		FRAME, LEVELER	1	-	-	-
	42-080-121		FRAME, LEVELER (LP)	-	1	-	-
	42-080-161		FRAME, LEVELER (HDSTD)	-	-	1	-
	42-080-137		FRAME, LEVELER (HDLP)	-	-	-	1
2	42-080-138		BRKT, LEVELER INBOARD MOTOR	1	1	-	-
3	42-026-045		SHAFT, LEVELER	1	1	-	-
	42-026-034		SHAFT, LEVELER (HD)	-	-	1	1
4	42-026-021		SHAFT, IDLER	1	1	-	-
	42-026-032		SHAFT, IDLER (HD)	-	-	1	1
5	42-023-185		SUPPORT, LEVELER MOTOR	1	1	1	1
6	03-026-016		KEY, 1/4 X 2	2	2	2	2

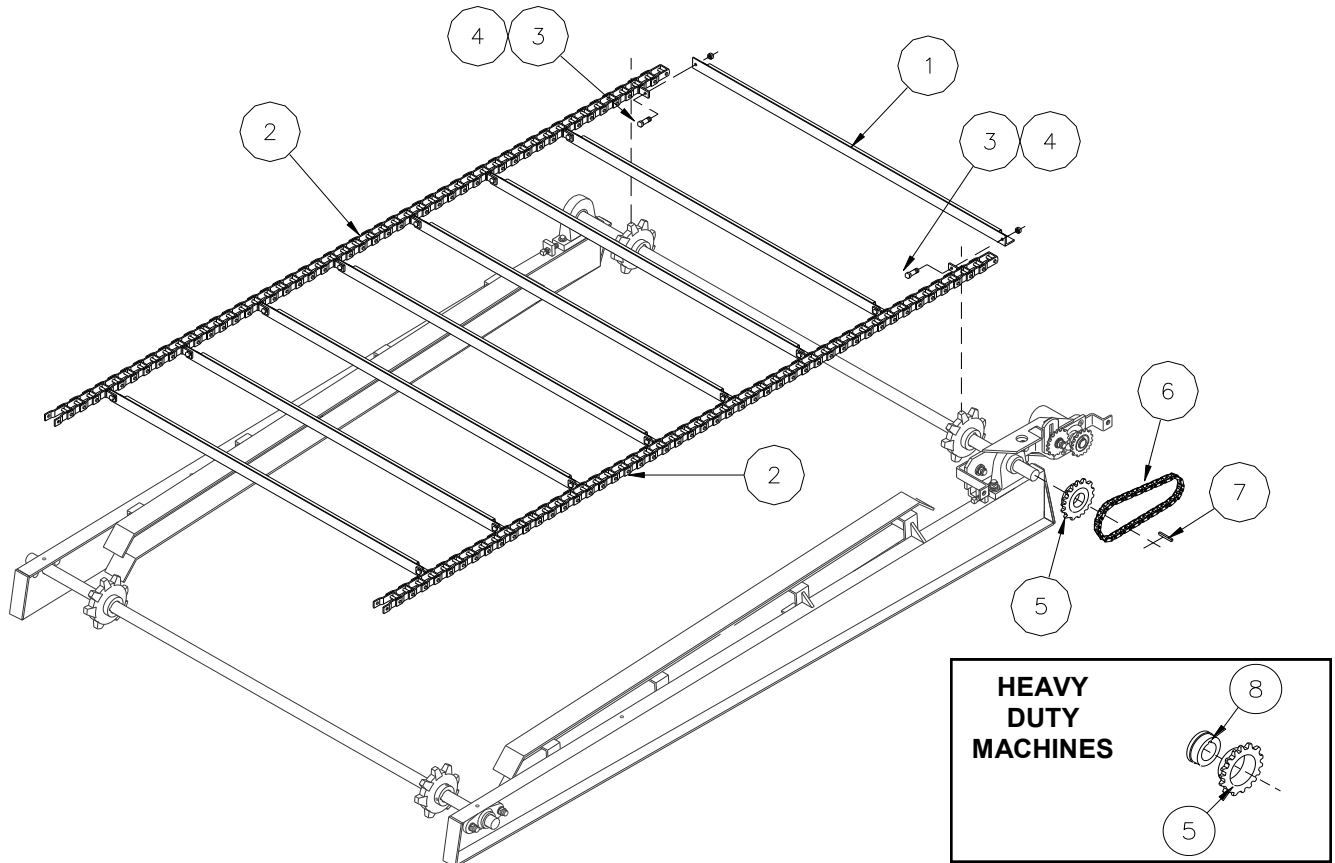
ITEM	PART NO	SERIAL NO OR YR	DESCRIPTION	QTY			
				STD		HEAVY	
				STD	LP	STD	LP
7	42-052-046		SPROCKET, (662-8T X 1 1/4)	4	4	-	-
	42-052-009		SPROCKET, 667X-8T	-	-	4	4
8	42-051-002		BEARING, FLANGE 1 1/4B	2	2	2	2
9	33-051-035		BEARING, 1 1/4 PILLOW	2	2	2	2
10	46-061-001		MOTOR, HYD (LEVELER)	1	1	-	-
	42-061-031		SEAL KIT	1	1	-	-
	42-061-153		MOTOR, HYD 14.1	-	-	1	1
	42-061-028		SEAL KIT	-	-	1	1
11	42-027-180		SHIELD, LEVELER (LT)	1	-	-	-
	42-027-178		SHIELD, LEVELER (LT) (LP)	-	1	-	-
	42-027-155		SHIELD, LEVELER (LT) (HDSTD)	-	-	1	-
	42-027-149		SHIELD, LEVELER (LT) (HDLP)	-	-	-	1
12	42-027-181		SHIELD, LEVELER (RT)	1	-	-	-
	42-027-179		SHIELD, LEVELER (RT) (LP)	-	1	-	-
	42-027-156		SHIELD, LEVELER (RT) (HDSTD)	-	-	1	-
	42-027-150		SHIELD, LEVELER (RT) (HDLP)	-	-	-	1
13	42-052-052		SPROCKET, H60SH15	1	1	1	1
14	42-052-051		BUSHING, SH-1	1	1	1	1
15	48-090100		CAPSCREW, 3/8 X 1 G5 PLT	18	18	18	18
16	66-010150		LOCKWASHER, 3/8 PLT	18	18	18	18
17	68-010150		HEX NUT, 3/8 PLT	22	22	22	22
18	52-050040		CARRIAGE SCREW, 3/8 X 1 1/4 G5 P	4	4	4	4
19	48-090625		CAPSCREW, 1/2 X 2-1/2 G5 PLT	2	2	2	2
20	62-010200		FLATWASHER, 1/2 PLT	8	8	8	8
21	66-010250		LOCKWASHER, 1/2 PLT	6	6	6	6
22	68-010250		HEX NUT, 1/2 PLT	6	6	6	6
23	54-010259		SETSCREW, 1/2 X 3 SQ HD G5 PLT	2	2	2	2
24	70-010100		JAM NUT, 1/2 PLT	2	2	2	2
25	62-010100		FLATWASHER, 3/8 PLT	16	16	16	16
26	52-050140		CARRIAGE SCREW, 1/2 X 1 1/2	2	2	2	2
27	33-052-015		SPROCKET, 60-15T	1	1	1	1
28	52-050370		CARRIAGE SCREW, 5/8 X 2 3/4	1	1	1	1
29	62-010250		FLATWASHER, 5/8 PLT	5	5	5	5
30	66-010300		LOCKWASHER, 5/8 PLT	1	1	1	1
31	68-010300		HEX NUT, 5/8 PLT	1	1	1	1
32	48-090170		CAPSCREW, 3/8 X 1 1/2 G5 PLT	8	8	8	8
33	72-020030		LOCKNUT, 3/8 G"C" PLT	8	8	8	8
34	42-050-031		WASHER, 1 X 7/16 X .055 PLT	4	4	4	4
35	54-010020		SETSCREW, 5/16 X 3/8 SQ HD CUPPT	4	4	4	4
36	70-010025		JAM NUT, 5/16	4	4	4	4
37	52-050150		CARRIAGE SCREW, 1/2 X 1 3/4	2	2	2	2

UNLOADER CHAIN AND SHAFTS



ITEM	PART NO	SERIAL NO OR YR	DESCRIPTION	QTY
1	42-052-017		CHAIN, BED ASSY	1
	42-052-026		LINK CONNECTOR (667X PINTLE)	-
2	42-026-010		SHAFT, UNLOADER FRONT	1
3	42-023-072		PLATE, TAKE-UP CLAMP	2
4	42-080-027		TAKE-UP, UNLOADER CHAIN	2
5	33-051-011		BEARING UNIT, 1 1/2	4
6	68-010350		HEX NUT, 3/4 -10 NC PLT	4
7	66-010250		LOCKWASHER, 1/2 PLT	8
8	68-010250		HEX NUT, 1/2 PLT	8
9	52-050260		CARRIAGE SCREW, 1/2 X 3 1/4 G5 PLT	4
10	42-026-011		SHAFT, UNLOADER REAR	1
11	48-090596		CAPSCREW, 1/2 X 1 3/4 G5 PLT	4
12	42-052-009		SPROCKET, 667X-8T (BED CHAIN)	1
13	33-026-087		KEY, 3/8 X 2 1/2	4
14	54-020080		SETSCREW, 5/16 X 3/8	4

LEVELER FRAME BARS AND CHAIN

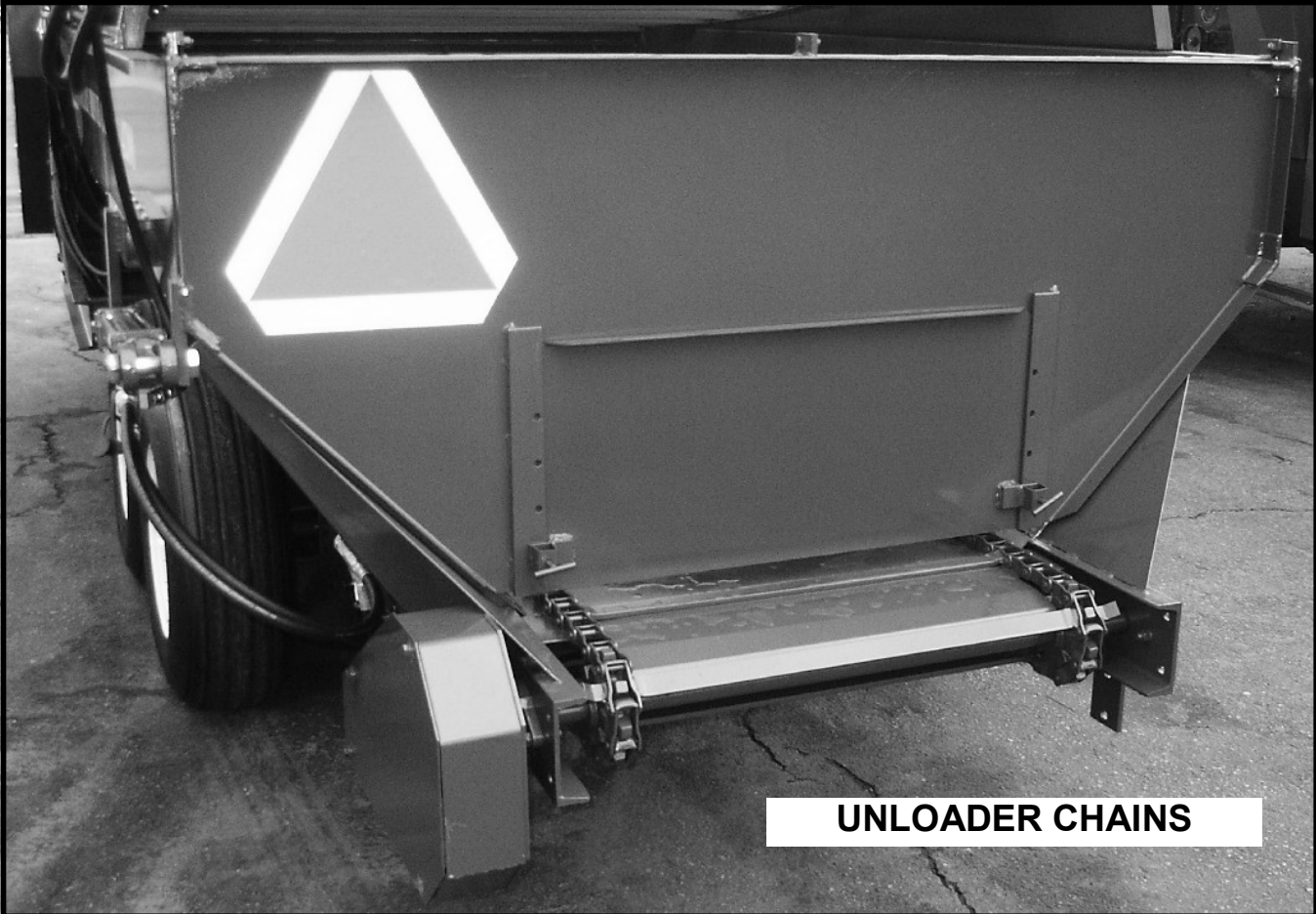
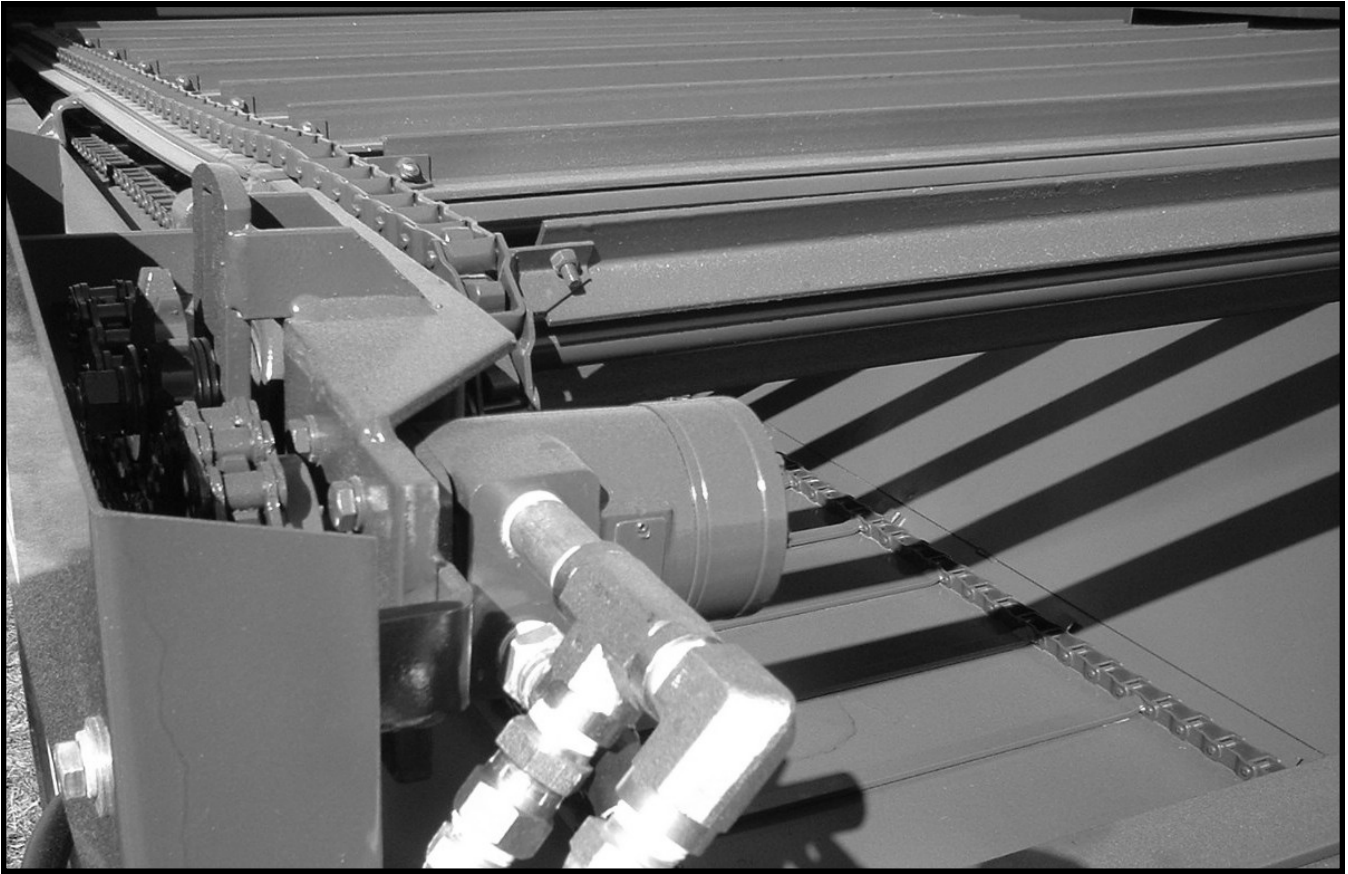


ITEM	PART NO	SERIAL NO OR YR	DESCRIPTION	QTY	
				STD	LP
1	42-025-005		BAR, LEVELER	19	19
2	42-052-040		CHAIN LEVELER, PAIR (662-115)	1	1
	42-052-069		LINK, (662H-G50-1)	2	2
	42-052-070		LINK, CONNECTOR (662H PINTLE)	2	2
	42-052-071		PIN & COTTER, REPAIR (662SH PINTLE)	2	2
3	48-090036		CAPSCREW, 5/16 X 1 G5 PLT	38	38
4	72-010025		LOCKNUT, 5/16 PLT	38	38
5	42-080-201		SPROCKET, 60-15T	1	1
6	42-052-054		CHAIN, RC 60H44P	1	1
7	03-026-016		KEY, 1/4 X 2	1	1

FOR HEAVY DUTY MACHINES ONLY

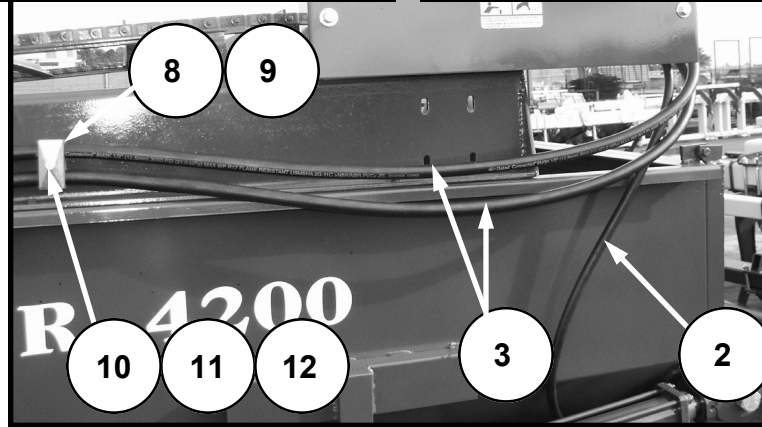
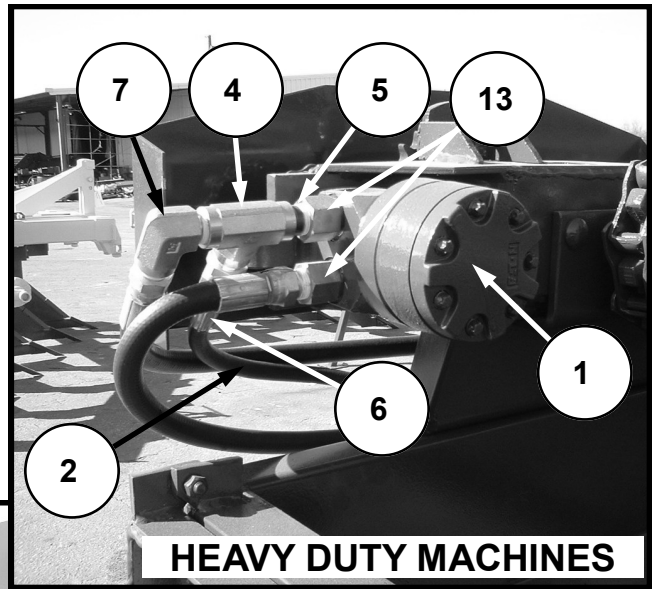
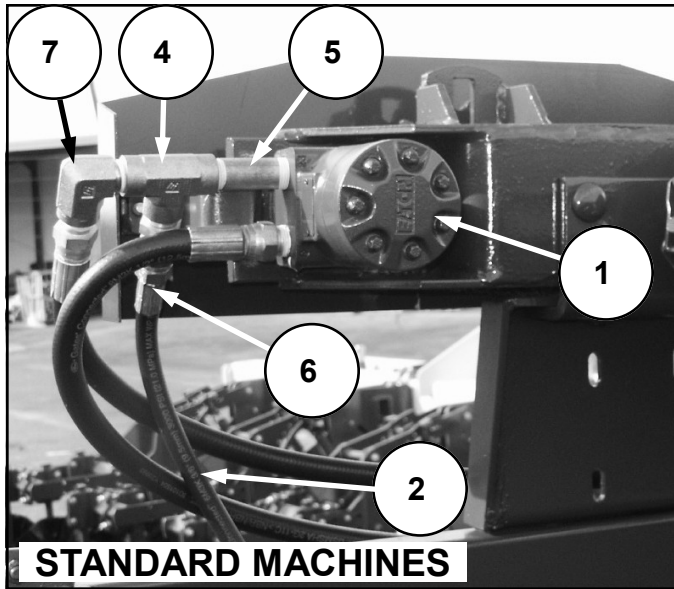
ITEM	PART NO	SERIAL NO OR YR	DESCRIPTION	QTY	
				STD	LP
1	42-050-150		BAR, LEVELER (HD	21	21
2	42-052-048		CHAIN (667X-84) PR	1	1
3	48-090043		CAPSCREW, 5/16 X 3/4 G5 PLT	42	42
4	72-010025		LOCKNUT, 5/16 PLT	42	42
5	42-052-052		SPROCKET, H60SH15	1	1
8	42-052-057		BUSHING, SH 1 1/2"	1	1

LEVELER CHAINS



UNLOADER CHAINS

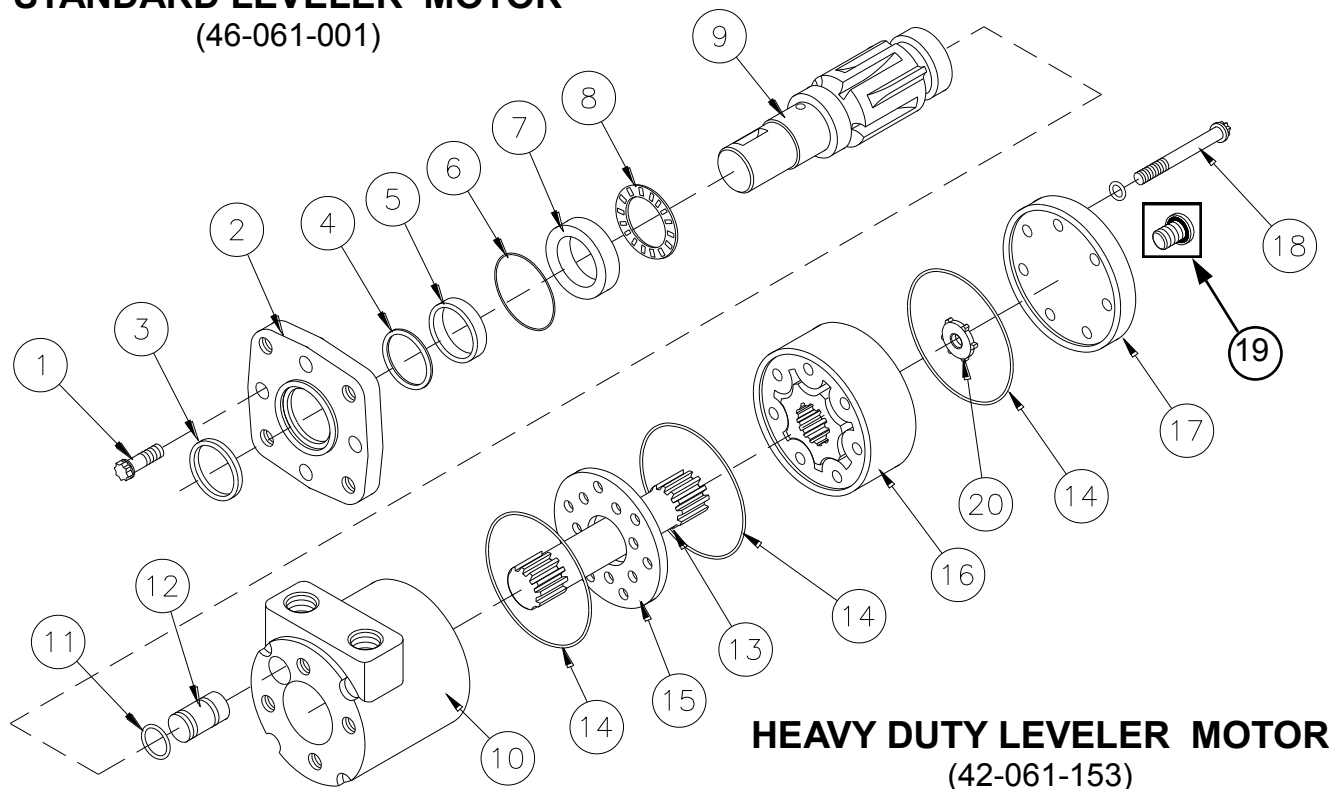
LEVELER MOTOR HYDRAULICS



ITEM	PART NO	SERIAL NO OR YR	DESCRIPTION	QTY			
				STD		HEAVY	
				STD	LP	STD	LP
1	46-061-001		MOTOR, HYDRAULIC	1	1	-	-
	42-061-153		MOTOR, HYDRAULIC (HD)	-	-	1	1
2	42-059-011		HOSE, 6M3K-6MP-8MPX-36"	1	1	1	1
3	42-059-002		HOSE, 8M3K-8MPX-8MPX-220"	2	2	1	1
4	07-050-001		TEE, 1/2" NPT	1	1	2	2
5	42-050-018		NIPPLE, 1/2 X 4 NPT	1	1	-	-
	07-050-002		NIPPLE, 1/2 X 1 1/2 NPT	-	-	1	1
6	07-059-002		UNION RESTRICT, ADAPTOR	1	1	1	1
7	08-059-006		ELL, 1/2" HYD STREET	1	1	1	1
8	33-050-246		CLAMP, HOSE	1	1	1	1
9	33-050-160		COVER PLATE	1	1	1	1
10	48-090050		CAPSCREW, 5/16 X 2 1/2	1	1	1	1
11	66-010100		LOCKWASHER, 5/16	1	1	1	1
12	68-010100		HEX NUT, 5/16	1	1	1	1
13	42-059-016		ADAPTER, 10MB-8FP	-	-	2	2

STANDARD LEVELER MOTOR

(46-061-001)



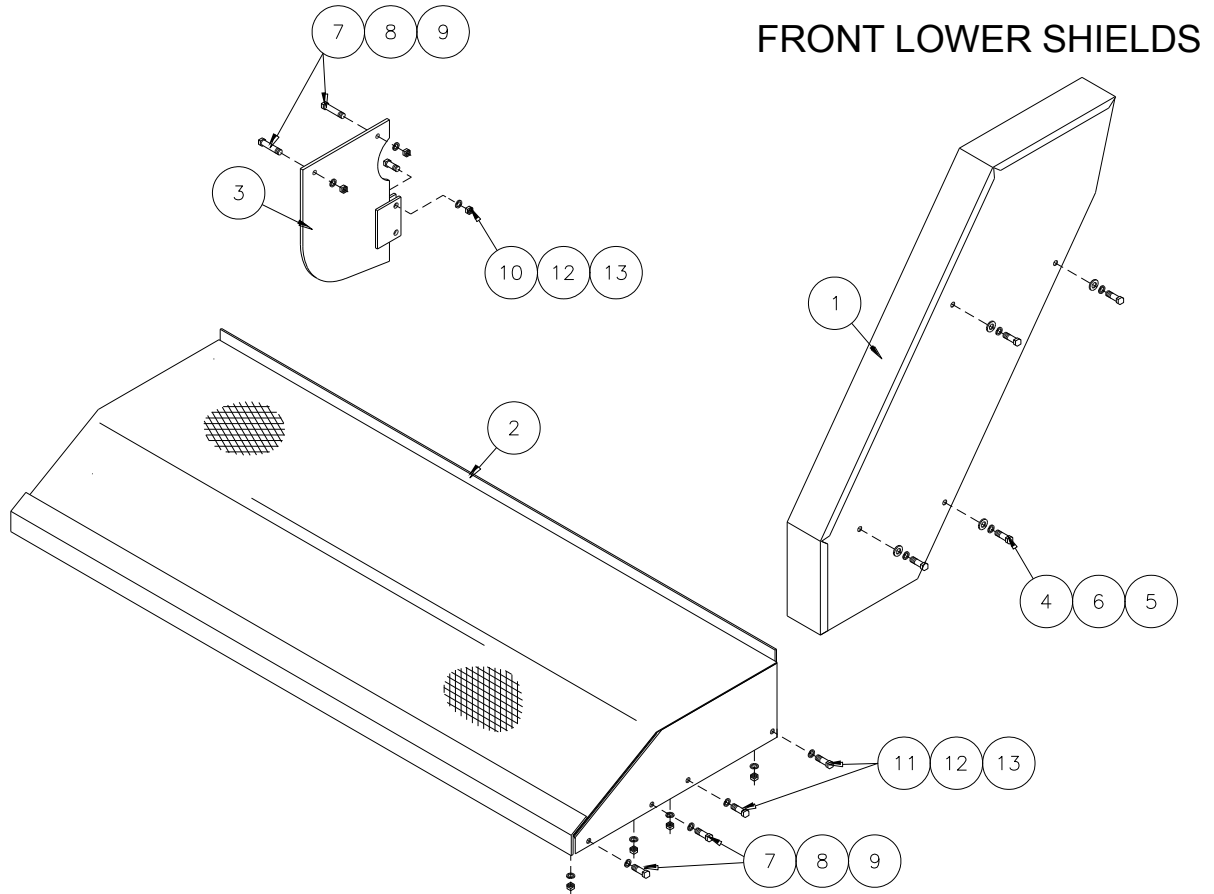
HEAVY DUTY LEVELER MOTOR

(42-061-153)

ITEM	PART NO	SERIAL NO OR YR	DESCRIPTION	QTY	
				STD	HVY
1	42-061-070		CAPSCREW, 5/16 X 7/8 UNF	4	4
2	42-061-068		FLANGE MOUNTING (4-BOLT)	1	1
*3	42-061-098		SEAL, EXCLUSION	1	1
*4	42-061-099		WASHER, BACK-UP	1	1
*5	42-061-100		SEAL, PRESSURE	1	1
*6	42-061-101		SEAL	1	1
7	42-061-102		RACE, THRUST BEARING	1	1
8	42-061-103		BEARING, THRUST NEEDLE	1	1
9	42-061-104		SHAFT, OUTPUT	1	1
10	42-061-105		HOUSING, 1/2 NPTF PORTS	1	-
	42-061-189		HOUSING, 7/8-14 O-RING PORTS	-	1
*11	42-061-072		O-RING	1	-
12	42-061-073		PLUG	1	-
13	46-061-003		DRIVE	1	-
	42-061-196		DRIVE	-	1
*14	42-061-107		SEAL	3	-
	42-061-197		SEAL	-	3
15	42-061-108		PLATE, SPACER	1	1
	42-061-198		PLATE, SPACER	-	1
16	46-061-004		GEROTOR	1	-
	420-61-199		GEROLER	-	1
17	42-061-110		CAP, END	1	-
	42-061-200		CAP, END (NO PORT)	-	1

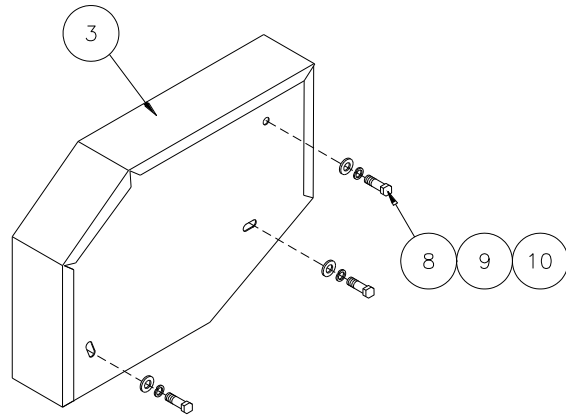
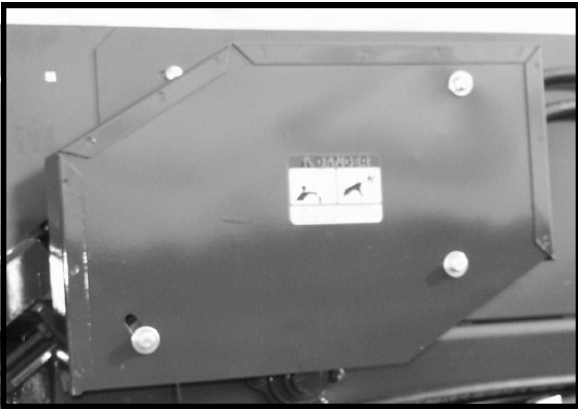
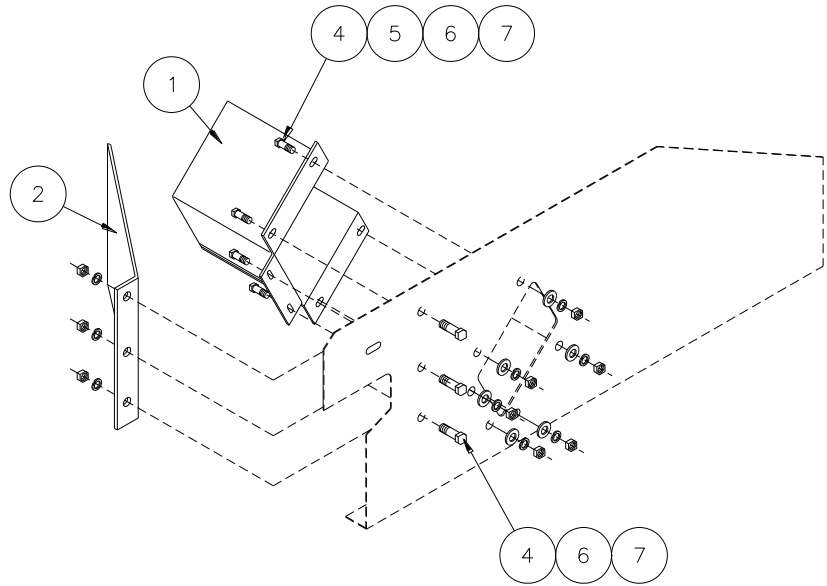
ITEM	PART NO	SERIAL NO OR YR	DESCRIPTION	QTY	
				STD	HVY
18	46-061-005		CAPSCREW, 5/16 X 2 1/8 UNF	7	
	42-061-201		SCREW, CAP	-	7
19	42-061-202		PLUG/ORING	-	1

*These Parts make up Hydraulic Motor Seal Kit (42-061-031)



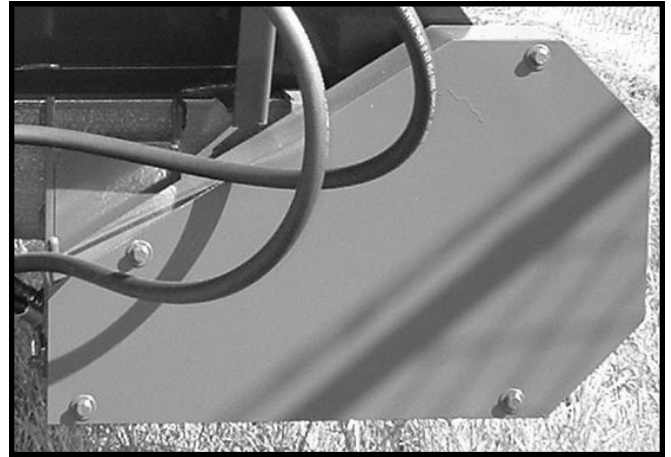
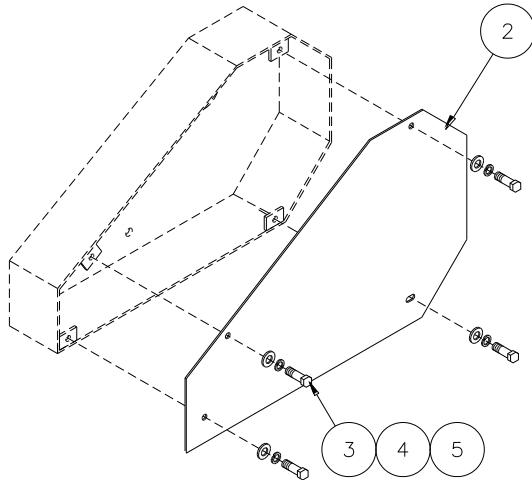
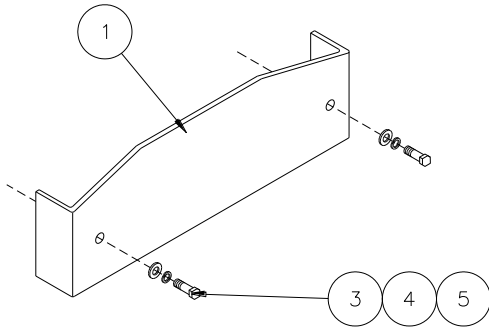
ITEM	PART NO	SERIAL NO OR YR	DESCRIPTION	QTY
1	42-080-074		SHIELD, MAIN DRIVE	1
2	42-080-091		SHIELD, FEEDER REEL	1
3	42-080-096		BLADE, SIDE	2
4	48-090100		CAPSCREW, 3/8 X 1 G5 PLT	4
5	62-010100		FLATWASHER, 3/8 PLT	4
6	66-010150		LOCKWASHER, 3/8 PLT	4
7	48-090350		CAPSCREW, 7/16 X 1 1/4 G5 PLT	4
8	66-010200		LOCKWASHER, 7/16 PLT	4
9	68-010150		HEX NUT, 7/16 PLT	4
10	48-090625		CAPSCREW, 1/2 X 2 1/2 G5 PLT	4
11	48-090595		CAPSCREW, 1/2 X 1 1/2 G5 PLT	4
12	66-010250		LOCKWASHER, 1/2 PLT	8
13	68-010250		HEX NUT, 1/ 2 PLT	4

FRONT UPPER SHIELDS



ITEM	PART NO	SERIAL NO OR YR	DESCRIPTION	QTY
1	42-080-153		SHIELD, (HD) SIFTER	1
2	42-027-148		SHIELD, LEVELER DEFLECTOR	1
3	42-080-144		SHIELD, SIFTER DRIVE	1
4	48-090043		CAPSCREW, 5/16 X 3/4 G5 PLT	9
5	62-010050		FLATWASHER, 5/16 PLT	6
6	66-010100		LOCKWASHER, 5/16 PLT	9
7	68-010100		HEX NUT, 5/16 PLT	9
8	48-090100		CAPSCREW, 3/8 X 1 G5 PLT	3
9	66-010150`		LOCKWASHER, 3/8 PLT	3
10	62-010100		FLATWASHER, 3/8 PLT	3

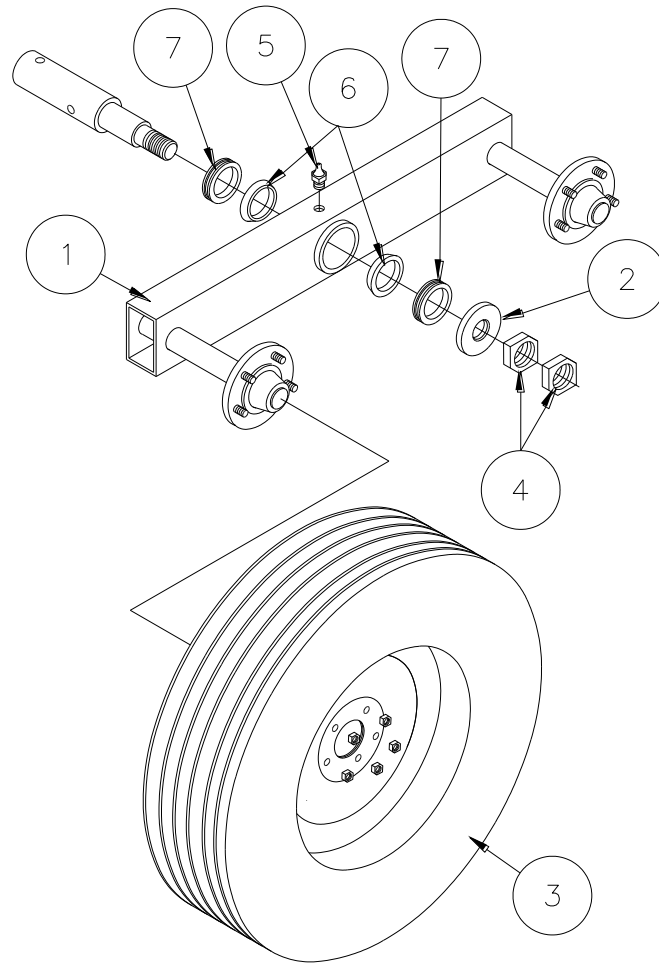
REAR SHIELDS



ITEM	PART NO	SERIAL NO OR YR	DESCRIPTION	QTY
1	42-027-129		SHIELD, LEVELER DRIVE	1
2	42-027-081		COVER, SHIELD	1
3	48-090100		CAPSCREW, 3/8 X 1 G5 PLT	6
4	66-010150		LOCKWASHER, 3/8 PLT	6
5	62-010100		FLATWASHER, 3/8 PLT	6

TANDEM ARM, 8 PLY
(42-081-008)

TANDEM ARM, 12 PLY
(42-081-024)



ITEM	PART NO	SERIAL NO OR YR	DESCRIPTION	QTY	
				-008	-024
*1	42-080-108		ARM, TANDEM	1	1
2	42-026-002		WASHER, TANDEM	1	1
3	42-081-003		TIRE AND WHEEL ASSY	2	-
	42-058-005		TIRE, (9.5L-15SL)	2	-
	05-058-005		WHEEL, 15 X 8	2	2
	18-050-021		STEM, VALVE	2	2
	42-081-022		TIRE AND WHEEL ASSY	-	2
	42-058-007		TIRE, 12-PLY (9.5L-15SL)	-	2
4	70-010300		JAM NUT, 1 1/2	2	2
*5	02-050-005		GREASE FITTING, 1/4-28	1	1
*6	21-051-006		CONE, BEARING	2	2
*7	42-056-001		SEAL, TANDEM	2	2

* These items make up Tandem Arm Assy (42-081-012)

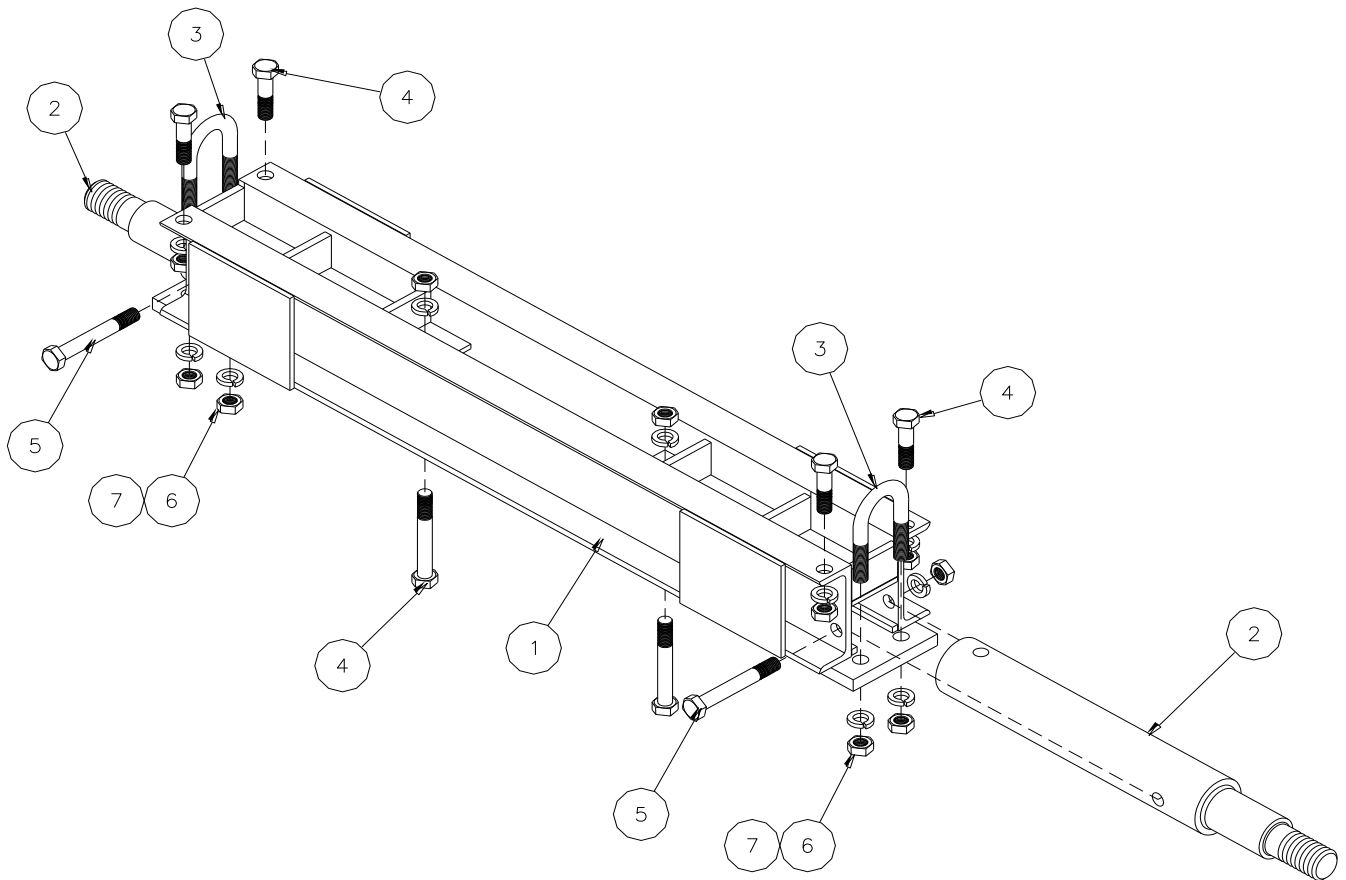
TANDEM AXLE HUB AND SPINDLE PARTS

(21-058-007) NOT SHOWN

ITEM	PART NO	SERIAL NO OR YR	DESCRIPTION	QTY
1	21-056-003		SEAL, TRI-LPY	1
2	41-056-005		SLEEVE, WEAR	1
3	21-058-010		SPINDLE, 12 1/2"	1

TANDEM AXLE

(42-081-029)



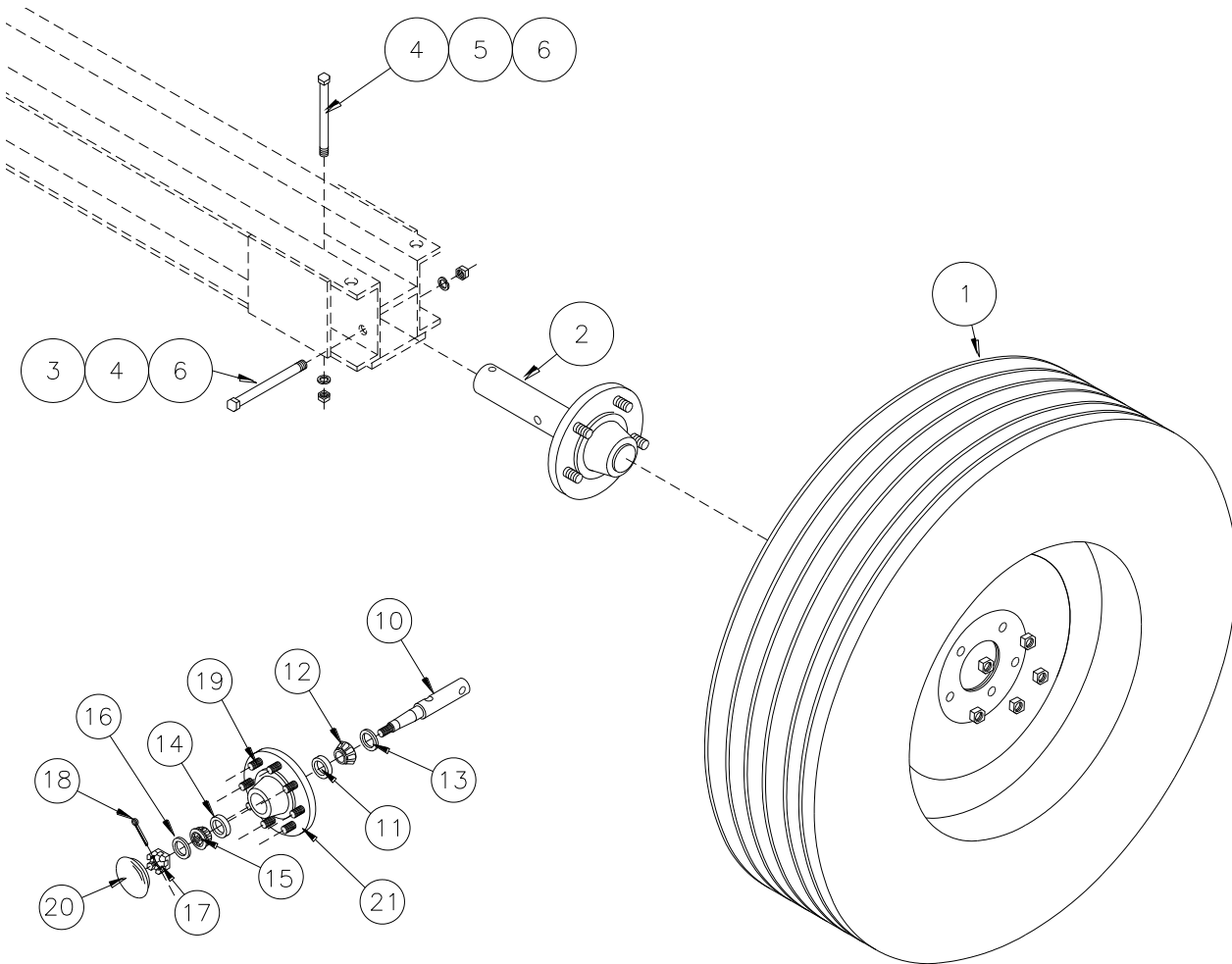
ITEM	PART NO	SERIAL NO OR YR	DESCRIPTION	QTY
1	42-080-168		AXLE, TANDEM	1
2	42-026-037		SPINDLE, TANDEM	2
3	42-050-029		U-BOLT, 5/8 X 3-13/16 X 2-15/16	2
4	48-200029		CAPSCREW, 5/8 X 2 G8 PLT	4
5	48-091075		CAPSCREW, 5/8 X 4 1/2 G5 PLT	4
6	66-010300		LOCKWASHER, 5/8 PLT	12
7	68-010300		HEX NUT, 5/8 PLT	12

8 PLY SINGLE WHEEL

(42-081-010)

12 PLY SINGLE WHEEL

(42-081-030)



ITEM	PART NO	SERIAL NO OR YR	DESCRIPTION	QTY	
				-010	-030
1	42-081-004		TIRE AND RIM ASSEMBLY	1	-
	42-081-023		TIRE AND RIM ASSEMBLY	-	1
2	33-058-001		ASSEMBLY, HUB AND SPINDLE	1	1
3	48-091075		CAPSCREW, 5/8 X 4 1/2 G5 PLT	-	1
4	66-010300		LOCKWASHER, 5/8 PLT	2	2
5	48-091077		CAPSCREW, 5/8 X 4 3/4 G5 PLT	1	1
6	68-010300		HEX NUT, 5/8 PLT	2	2

8-PLY TIRE AND RIM ASSY

(42-081-004) (ITEM 1)

12 PLY TIRE AND RIM ASSY

(42-081-023) (ITEM 1)

ITEM	PART NO	SERIAL NO OR YR	DESCRIPTION	QTY	
				-010	-030
7	42-058-004		TIRE, 12.5L-16SL FARM (8-PLY)	1	-
	42-058-008		TIRE, 12.5L-16SL FARM (12-PLY)	-	1
8	42-058-003		WHEEL, 16 X W10L	1	1
9	18-050-021		STEM, VALVE	1	1

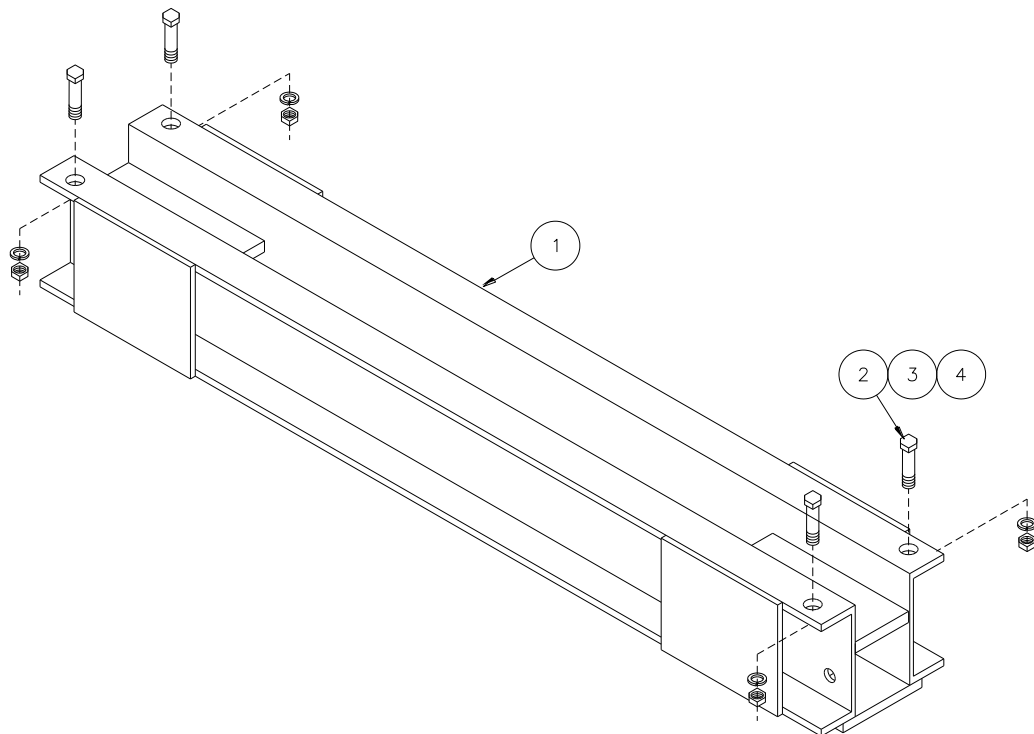
HUB AND SPINDLE ASSEMBLY

(33-058-001) (ITEM 2) (Page 54)

ITEM	PART NO	SERIAL NO OR YR	DESCRIPTION	QTY
10	33-050-016		SPINDLE	2
11	33-051-017		INNER CUP	2
12	33-051-018		INNER CONE	2
13	33-056-007		SEAL	2
14	02-051-007		OUTER CUP	2
15	02-051-008		OUTER CONE	2
16	33-058-007		SPINDLE WASHER	2
17	68-030110		SPINDLE NUT, 1" NF	2
18	76-010150		SPINDLE COTTER PIN, 3/16 X 2	2
19	33-058-004		STUD	16
20	33-058-005		DUST CAP	2
21	33-058-006		HUB	2

SINGLE AXLE

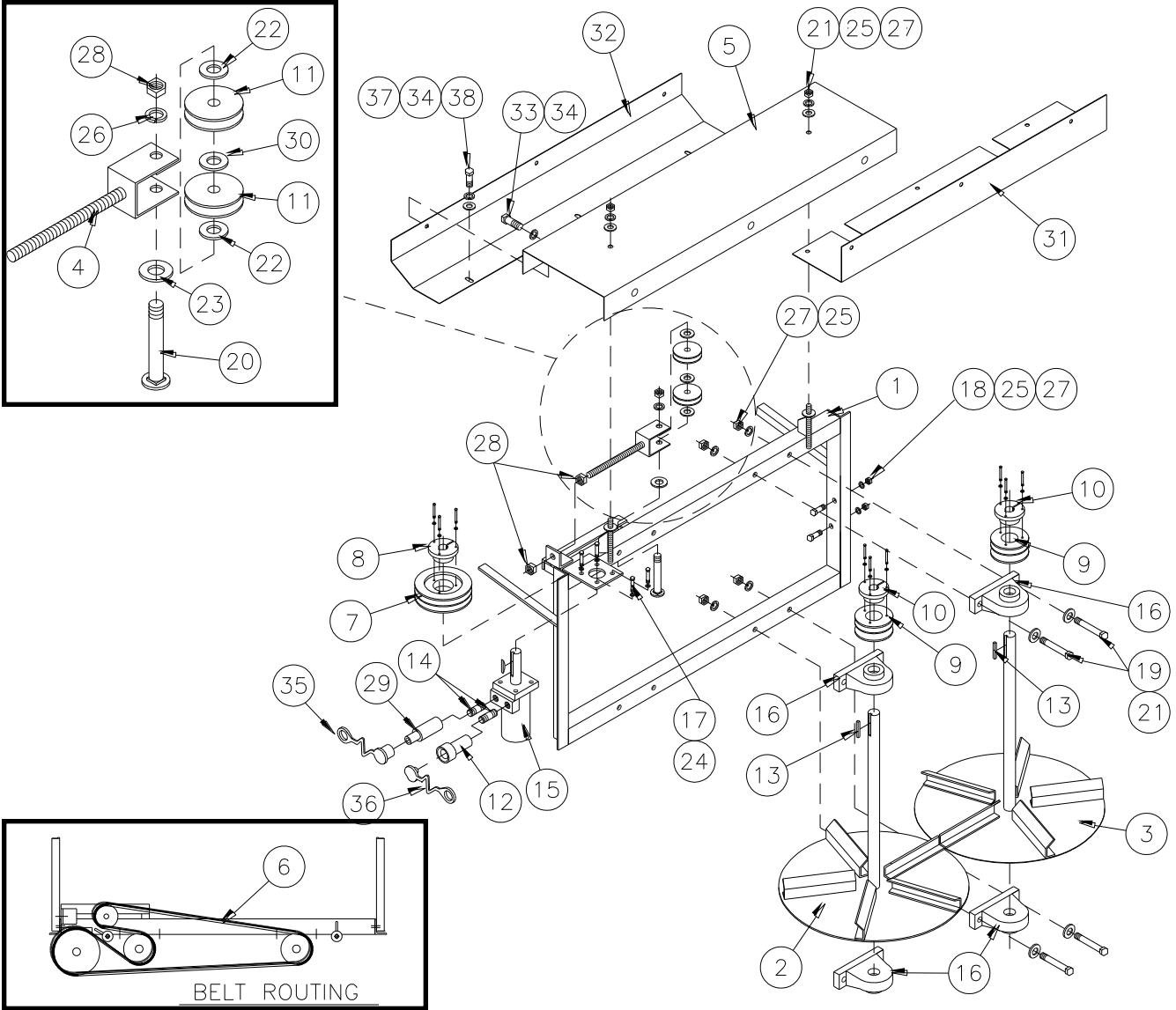
(42-081-009)



ITEM	PART NO	SERIAL NO OR YR	DESCRIPTION	QTY
1	42-080-054		AXLE, SINGLE	1
2	48-200029		CAPSCREW, 5/8 X 2 G5 PLT	4
3	66-010300		LOCKWASHER, 5/8 PLT	4
4	68-010300		HEX NUT, 5/8 PLT	4

SPREADER FRAME ASSEMBLY

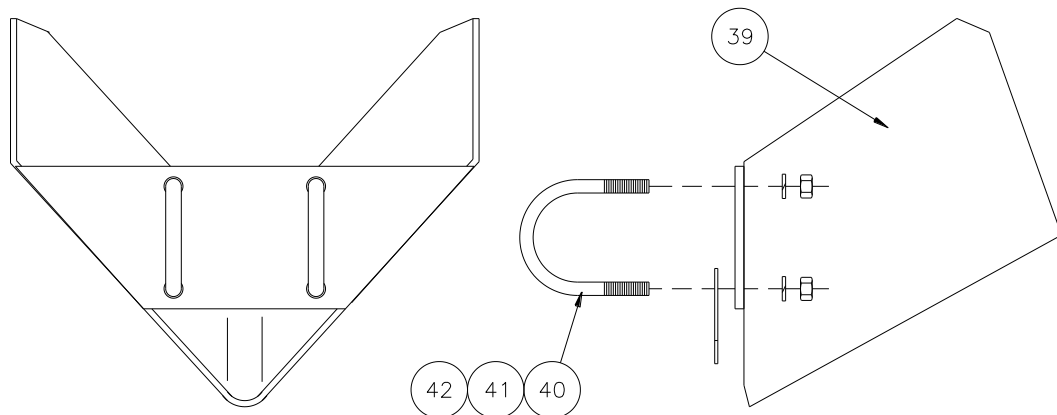
(42-082-001)



ITEM	PART NO	SERIAL NO OR YR	DESCRIPTION	QTY
1	42-080-052		FRAME, SPREADER	1
2	42-080-049		SPREADER, LT	1
3	42-080-050		SPREADER, RT	1
4	42-080-051		BRACKET, BELT TENSION IDLER	1
5	42-027-046		SHIELD, SPREADER	1
6	42-053-003		V-BELT, BB85	2
7	42-053-004		PULLEY, 2B56SDS	1
8	33-053-101		TAPER BUSHING, SDS 1"	1
9	42-053-006		PULLEY, 2B36SH	2
10	42-053-007		BUSHING, SH-1 1/4"	2
11	42-053-008		PULLEY, IDLER	2
12	42-061-041		HYDRAULIC COUPLER, 1/2 NPT	1
13	03-026-016		KEY, 1/4 X 2	2

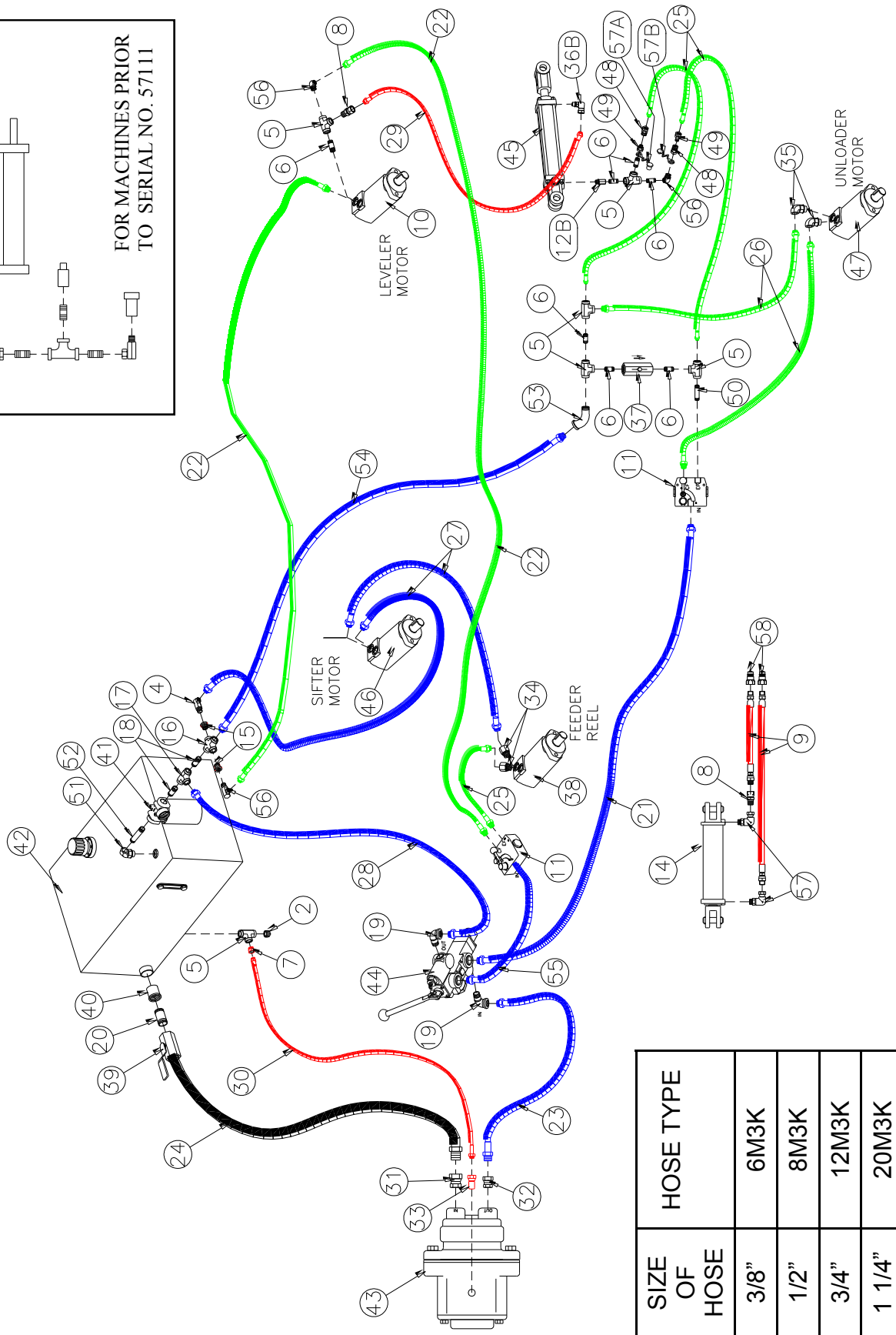
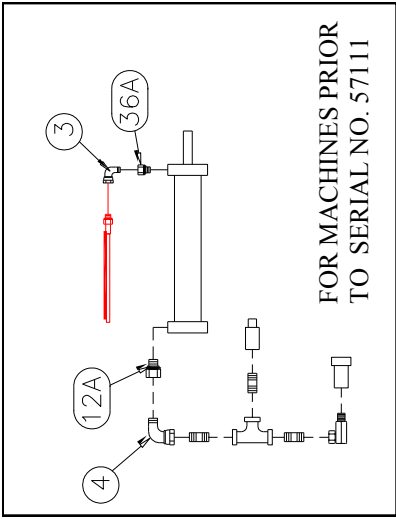
ITEM	PART NO	SERIAL NO OR YR	DESCRIPTION	QTY
14	07-050-002		NIPPLE, 1/2 X 1 NPT	2
15	09-061-001		MOTOR, 5.9 HYDRUALIC	1
16	33-051-035		BEARING, 1 1/4 PILLOW	4
17	48-090100		CAPSCREW, 3/8 X 1 G5 PLT	4
18	48-090595		CAPSCREW, 1/2 X 1 1/2 G5 PLT	4
19	48-090600		CAPSCREW, 1/2 X 2 G5 PLT	8
20	52-050374		CARRIAGE SCREW, 5/8 X 3 1/2 G5 PLT	1
21	62-010200		FLATWASHER, 1/2 PLT	10
22	62-010250		FLATWASHER, 5/8 PLT	2
23	62-010300		FLATWASHER, 3/4 PLT	1
24	66-010150		LOCKWASHER, 3/8 PLT	4
25	66-010250		LOCKWASHER, 1/2 PLT	14
26	66-010300		LOCKWASHER, 5/8 PLT	1
27	68-010250		HEX NUT, 1/2 PLT	14
28	68-010300		HEX NUT, 5/8 PLT	3
29	42-061-042		HYDRAULIC NIPPLE, 1/2 NPT	1
30	22-050-010		FLATWASHER, PRESS WHEEL	1
31	42-080-130		SHIELD, SPREADER REAR	1
32	42-080-129		SHIELD, SPREADER FRONT	1
33	48-090078		CAPSCREW, 3/8 X 1/2 G5 PLT	6
34	66-010150		LOCKWASHER, 3/8 PLT	9
35	42-061-066	(-2010)	PLUG, HYD COUPLER-FEMALE	(1)
	42-061-268	(2011-2013)	PLUG, HYD COULPER FEMALE-MALE	2
	42-061-066	(2014-)	PLUG, HYD COUPLER-FEMALE	1
36	42-061-067	(2014-)	PLUG, HYD COUPLER-MALE	1
37	48-090090		CAPSCREW, 3/8 X 3/4 G5 PLT	3
38	62-010100		FLATWASHER, 3/8 PLT	3

SPREADER V-DIVERTER



ITEM	PART NO	SERIAL NO OR YR	DESCRIPTION	QTY
39	42-080-135		V-DIVERTER	1
40	42-050-025		"U"-BOLT, 3/8 X 2 7/8 X 2	2
41	66-010150		LOCKWASHER, 3/8	4
42	68-010150		HEX NUT, 3/8	4

4200 PLUMBING SCHEMATIC

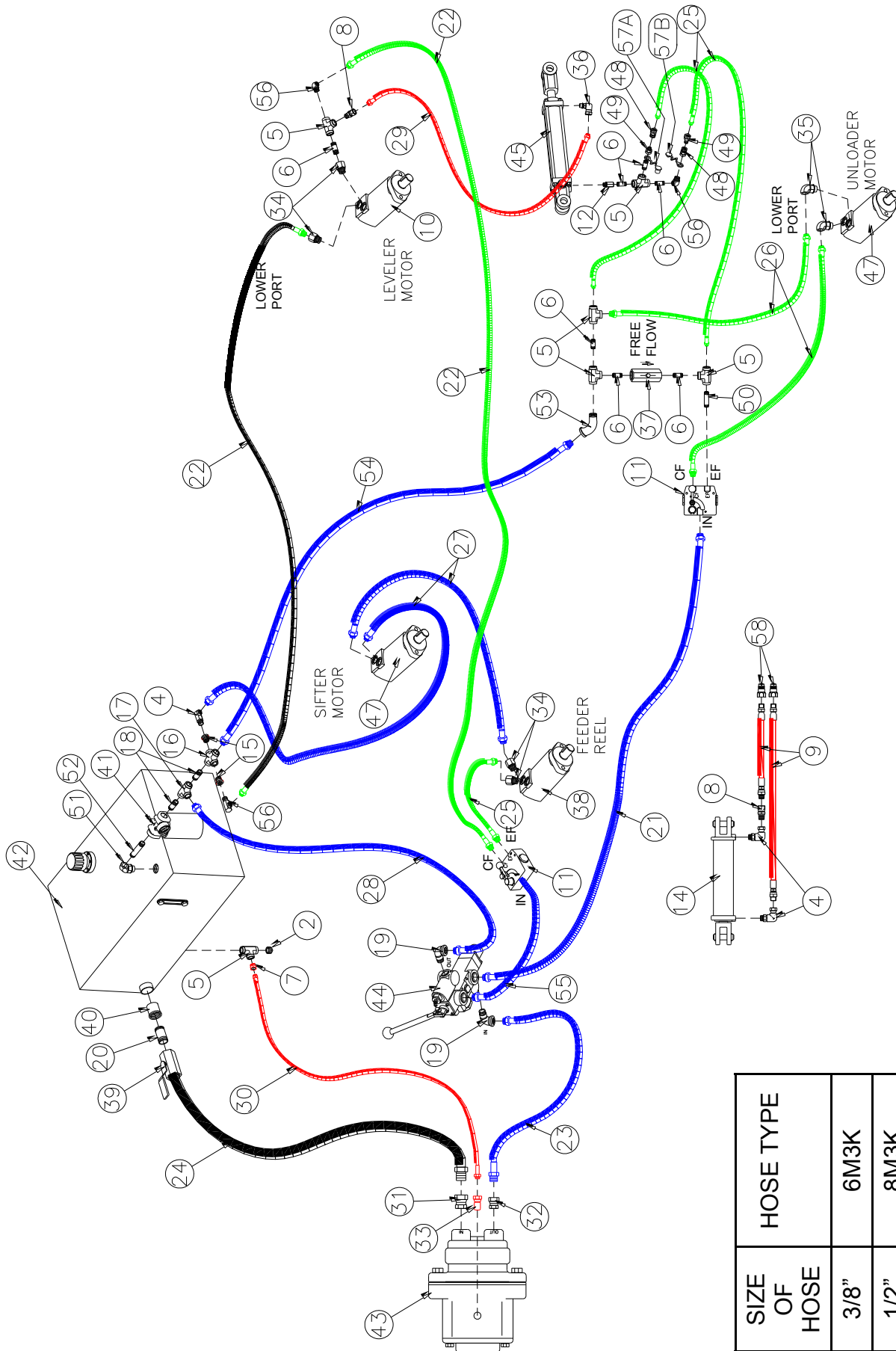


SIZE OF HOSE	HOSE TYPE
3/8"	6M3K
1/2"	8M3K
3/4"	12M3K
1 1/4"	20M3K

ITEM	PART NO	SERIAL NO OR YR	DESCRIPTION	QTY
1	02-050-088		STRAP, TIE DOWN	4
2	02-054-021		PLUG, 1/2 NPT PIPE	1
4	42-059-022		ADAPTER, 8MP-8FPX-90°	3
5	07-050-001		TEE, 1/2 NPTF	6
6	07-050-002		NIPPLE, 1/2 X 1 1/2 NPT	7
7	07-050-009		BUSHING, 1/2-3/8 REDUCER	1
8	07-059-002		RESTRICTOR, 8MP-8FPX-.052	2
9	07-059-003		HOSE, 6M3K-8MP-8MPX-100"	2
10	46-061-001		MOTOR, HYD (LEVELER)	1
	42-061-031		SEAL KIT	1
11	09-061-006		VALVE, ADJ FLOW CONTROL	2
12A	21-061-028	(-57111)	ADAPTER ASSY	(1)
12B	42-059-024	(57112-86418)	ADAPTOR, 6MB-8FP	(1)
	21-061-028	(86419-)	ADAPTOR, 8MB-8FP	1
13	33-050-154		OIL, HYDRAULIC (GALLON)	25
14	33-061-120	(-2013)	CYLINDER, HYDRAULIC	(1)
	33-061-203	(2014-)	CYLINDER, 3X6X1.25 HYD	1
15	42-050-004		BUSHING, 3/4-1/2 REDUCER	2
16	42-050-005		CROSS, 3/4 NPT	1
17	42-050-006		TEE, 3/4 NPT	1
18	42-050-007		NIPPLE, 3/4 NPT X 1 1/2	2
19	42-050-008		STREET ELL, 3/4 NPT	2
20	42-050-009		NIPPLE, 1 1/4 X 3 NPT	1
21	42-059-021		HOSE, 12M3K-8MP-8MPX-280"	1
22	42-059-002		HOSE, 8M3K-8MPX-8MPX-220"	2
23	42-059-003		HOSE, 12M3K-12MP-12MPX-60	1
24	42-059-004		HOSE, 20G4H-20MP-20MP-88"	1
25	42-059-006		HOSE, 8M3K-8MP-8MPX-45"	3
26	42-059-007		HOSE, 8M3K-8MP-8MPX-20"	2
27	46-059-001		HOSE, 8M3K-8MP-8MPX-160"	2
28	42-059-010		HOSE, 12M3K-12MP-12MPX-105	1
29	42-059-011	(-2013)	HOSE, 6M3K-6MP-8MPX-36"	(1)
	33-059-001	(2014-)	HOSE, 6M3K-8MP-8MPX-36"	1
30	42-059-012		HOSE, 6M3K-6MP-6MPX-115"	1
31	42-059-013		ADAPTER (PUMP SUCTION)	1
32	42-059-014		ADAPTER (PUMP PRESSURE)	1
33	42-059-015		ADAPTER (PUMP DRAIN)	1

ITEM	PART NO	SERIAL NO OR YR	DESCRIPTION	QTY
34	42-059-016		ADAPTER, 10MB-8FP	2
35	42-059-017		ADAPTER (UNLOAD MOTOR)	2
36A	42-059-018	(-57111)	ADAPTER	(1)
36B	42-059-015	(57112-86418)	ADAPTER, 6MB-6FPX-90°	(1)
	42-059-022	(86419-)	ADAPTER, 8MP-8FPX-90°	1
37	42-061-002		VALVE, CHECK	1
38	42-061-003		MOTOR, HYD (FEEDER REEL)	1
	42-061-033		SEAL KIT	1
39	42-061-005		BALL VALVE, 1 1/4 NPT	1
40	42-061-006		STRAINER, TANK	1
41	42-061-007		FILTER, RETURN	1
	42-061-012		FILTER ONLY	1
42	42-061-011		RESERVOIR	1
43	42-061-013		PUMP, PTO	1
	42-061-038		SEAL KIT	1
44	42-061-014		CONTROL VALVE, SINGLE	1
	42-061-034		SEAL KIT	1
45	42-061-112	(-2013)	CYLINDER, 2 X 16	(1)
	42-061-271	(2014-)	CYLINDER, 2X16X1.125	1
	42-061-113	(-2013)	CYLINDER, 2 X 10 (L.P.)	(1)
	42-061-272	(2014-)	CYLINDER, 2X10X1.125	1
46	42-061-018		MOTOR, HYD (SIFTER)	1
	42-061-031		SEAL KIT	1
47	42-061-037		HYD MOTOR (UNLOADER)	1
	42-061-033		SEAL KIT	1
48	42-061-041		HYDRAULIC COUPLER	2
49	42-061-042		HYD NIPPLE, 1/2 NPT	2
50	42-050-018		NIPPLE, 1/2 X 4 NPT	1
51	42-050-017		ELBOW, 3/4 NPT	1
52	42-050-016		NIPPLE, 3/4 X 4 NPT	1
53	42-050-020		ELBOW, 1/2 NPT - 45°	1
54	42-059-020		HOSE, 12M3K-8MP-12MPX-200"	1
55	42-059-025		HOSE, 12M3K-8MPX-8MPX-90"	1
56	08-059-006		ADAPTER, 8MP-8FP-90°	2
57	42-061-268	(-2013)	PLUG, HYD CP FEMALE-MALE	(2)
57A	42-061-066	(2014-)	CAP, HYD COUPLER	1
57B	42-061-067	(2014-)	PLUG, HYD COULPER	1
58	47-059-002		QUICK DISCONNECT	2

4250 PLUMBING SCHEMATIC

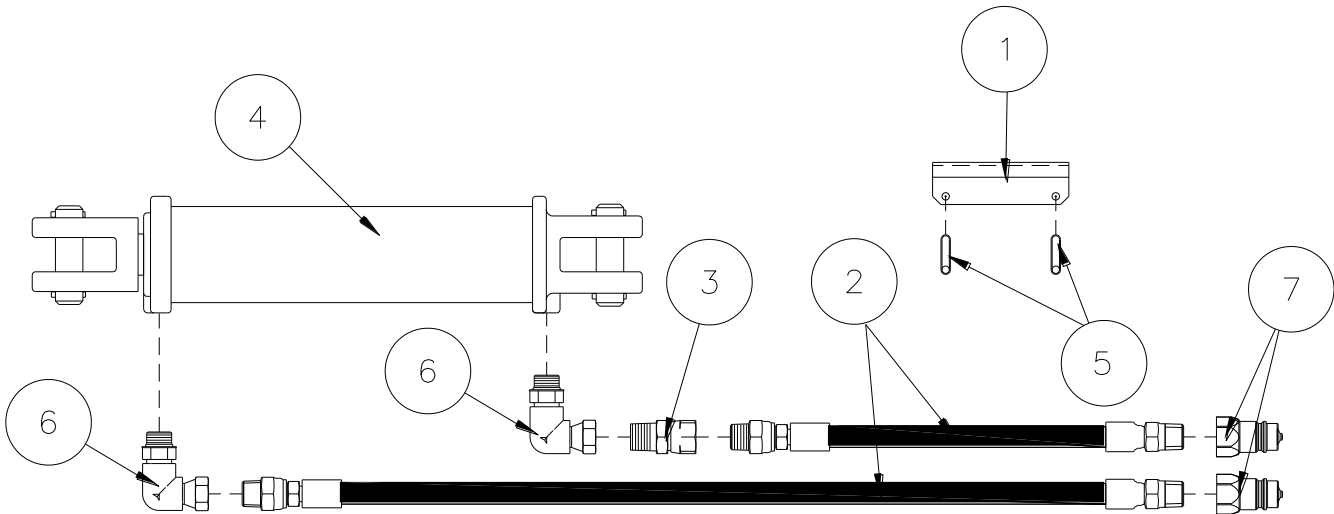


SIZE OF HOSE	HOSE TYPE
3/8"	6M3K
1/2"	8M3K
3/4"	12M3K
1 1/4"	20M3K

ITEM	PART NO	SERIAL NO OR YR	DESCRIPTION	QTY
1	02-050-088		STRAP, TIE DOWN	4
2	02-054-021		PLUG, 1/2 NPT PIPE	1
4	42-059-022		ADAPTER, 8MP-8FPX-90°	3
5	07-050-001		TEE, 1/2 NPTF	6
6	07-050-002		NIPPLE, 1/2 X 1 1/2 NPT	7
7	07-050-009		BUSHING, 1/2-3/8 REDUCER	1
8	07-059-002		RESTRICTOR, 8MP-8FPX-.052	2
9	07-059-003		HOSE, 6M3K-8MP-8MPX-100"	2
10	42-061-153		MOTOR, HYD (LEVELER)	1
	42-061-028		SEAL KIT	1
11	09-061-006		VALVE, ADJ FLOW CONTROL	2
12	42-059-024	(-2013)	ADAPTOR, 6MB-8FP	(1)
	21-061-028	(2014-)	ADAPTOR, 8MB-8FP	1
13	33-050-154		OIL, HYDRAULIC (GALLON)	25
14	33-061-120	(-2013)	CYLINDER, HYDRAULIC	(1)
	33-061-203	(2014-)	CYLINDER, 3X6X1.25 HYD	1
15	42-050-004		BUSHING, 3/4-1/2 REDUCER	2
16	42-050-005		CROSS, 3/4 NPT	1
17	42-050-006		TEE, 3/4 NPT	1
18	42-050-007		NIPPLE, 3/4 NPT X 1 1/2	2
19	42-050-008		STREET ELL, 3/4 NPT	2
20	42-050-009		NIPPLE, 1 1/4 X 3 NPT	1
21	42-059-021		HOSE, 12M3K-8MP-8MPX-280"	1
22	42-059-002		HOSE, 8M3K-8MPX-8MPX-220"	2
23	42-059-003		HOSE, 12M3K-12MP-12MPX-60	1
24	42-059-004		HOSE, 20G4H-20MP-20MP-88"	1
25	42-059-006		HOSE, 8M3K-8MP-8MPX-45"	3
26	42-059-007		HOSE, 8M3K-8MP-8MPX-20"	2
27	42-059-028		HOSE, 8M3K-8MPX-8MPX-140"	2
28	42-059-010		HOSE, 12M3K-12MP-12MPX-105	1
29	42-059-011	(-2013)	HOSE, 6M3K-6MP-8MPX-36"	(1)
	33-059-001	(2014-)	HOSE, 6M3K-8MP-8MPX-36"	1
30	42-059-012		HOSE, 6M3K-6MP-6MPX-115"	1
31	42-059-013		ADAPTER (PUMP SUCTION)	1
32	42-059-014		ADAPTER (PUMP PRESSURE)	1

ITEM	PART NO	SERIAL NO OR YR	DESCRIPTION	QTY
33	42-059-015		ADAPTER (PUMP DRAIN)	1
34	42-059-016		ADAPTER, 10MB-8FP	4
35	42-059-017		ADAPTER (UNLOAD MOTOR)	2
36	42-059-015	(-2013)	ADAPTER, 6MB-6FPX-90°	(1)
	42-059-022	(2014-)	ADAPTER, 8MB-6FPX-90°	1
37	42-061-002		VALVE, CHECK	1
38	42-061-003		MOTOR, HYD (FEEDER REEL)	1
	42-061-033		SEAL KIT	1
39	42-061-005		BALL VALVE, 1 1/4 NPT	1
40	42-061-006		STRAINER, TANK	1
41	42-061-007		FILTER, RETURN	1
	42-061-012		FILTER ONLY	1
42	42-061-011		RESERVOIR	1
43	42-061-013		PUMP, PTO	1
	42-061-038		SEAL KIT	1
44	42-061-014		CONTROL VALVE, SINGLE	1
	42-061-034		SEAL KIT	1
45	42-061-112	(-2013)	CYLINDER, 2 X 16	(1)
	42-061-271	(2014-)	CYLINDER, 2X16X1.125	1
	42-061-113	(-2013)	CYLINDER, 2 X 10 (L.P.)	(1)
	42-061-272	(2014-)	CYLINDER, 2X10X1.125	1
47	42-061-037		HYD MOTOR (UNLOADER)	2
	42-061-033		SEAL KIT	1
48	42-061-041		HYDRAULIC COUPLER, 1/2 NPT	2
49	42-061-042		HYD NIPPLE, 1/2 NPT	2
50	42-050-018		NIPPLE, 1/2 X 4 NPT	1
51	42-050-017		ELBOW, 3/4 NPT	1
52	42-050-016		NIPPLE, 3/4 X 4 NPT	1
53	42-050-020		ELBOW, 1/2 NPT - 45°	1
54	42-059-020		HOSE, 12M3K-8MP-12MPX-200"	1
55	42-059-025		HOSE, 12M3K-8MPX-8MPX-90"	1
56	08-059-006		ADAPTER, 8MP-8FP-90°	2
57	42-061-268	(-2013)	PLUG, HYD CP FEMALE-MALE	(2)
57A	42-61-066	(2014-)	CAP. HYD COUPLER	1
57B	42-061-067	(2014-)	PLUG, HYD COUPLER	1
58	47-059-002		QUICK DISCONNECT	2

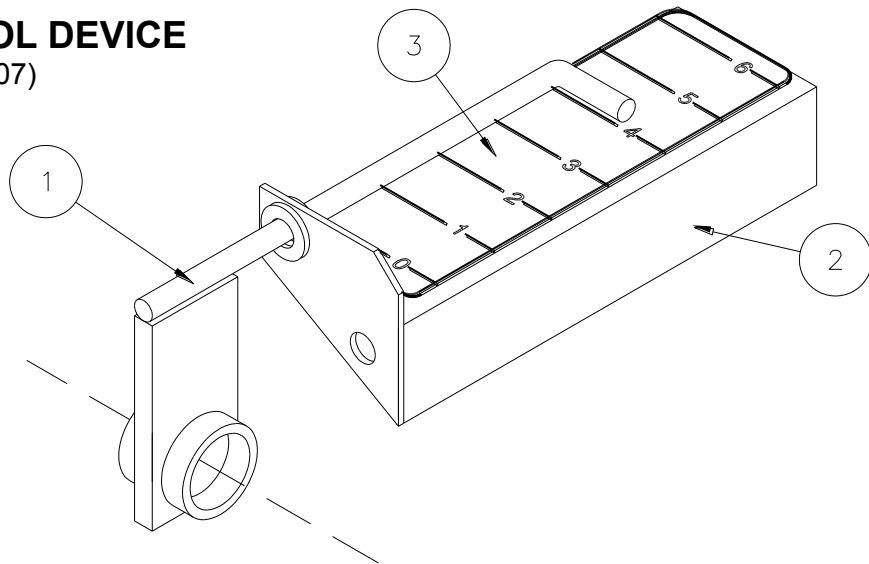
TONGUE CYLINDER AND HOSES



ITEM	PART NO	SERIAL NO OR YR	DESCRIPTION	QTY
1	42-027-050		LOCK, CYLINDER	1
2	07-059-003		HOSE, 3/8" X 100" HYDRUALIC	2
3	07-059-002		UNION, RESTRICTOR	1
4	33-061-120	(-2013)	CYLINDER, HYDRAULIC	(1)
	33-061-203	(2014-)	CYLINDER, 3X6X1.25 HYD	1
5	21-050-012		SNAP PIN, 3/8 X 2 3/4	2
6	42-059-022		ELL, 3/4-16 TO 1/2-14	2

DEPTH CONTROL DEVICE

(42-082-007)



ITEM	PART NO	SERIAL NO OR YR	DESCRIPTION	QTY
1	42-080-081		STAND, INDICATOR	1
2	42-080-082		DEPTH, INDICATOR	1
3	42-050-012		DECAL, DEPTH	1

The following is a list of serial numbers issued to our machines at the beginning of each year. To determine when a unit was made, find the range within which the particular serial number falls. It would have been produced between January 1 to December 31 of that year.

YEAR	SERIAL NUMBERS
1985	27986-29695
1986	29696-31095
1987	31096-33234
1988	33235-35548
1989	35549-38496
1990	38497-41771
1991	41772-44466
1992	44467-47001
1993	47002-48750
1994	48751-51549
1995	51551-54262
1996	54263-56661
1997	56662-59465
1998	59466-62097
1999	62098-63986
2000	63987-65692
2001	65693-67340
2002	67341-68699
2003	68700-70482
2004	70483-72646
2005	72647-74866
2006	74867-76368
2007	76369-77883
2008	77884-79891
2009	79892-80944
2010	80945-81775
2011	81776-83453
2012	83454-85092
2013	85093-86418
2014	86419-87790
2015	87791-



DEPENDABLE EQUIPMENT FOR PROGRESSIVE FARMING

Visit us at www.kelleymfg.com



KELLEY MANUFACTURING CO.

80 Vernon Drive / Zip 31794
P.O. Drawer 1467 / Zip 31793
Tifton, GA



MADE IN AMERICA

Tel: 229-382-9393
Toll Free: 1-800-444-5449
Fax: 229-382-5259

Email Address: info@kelleymfg.com