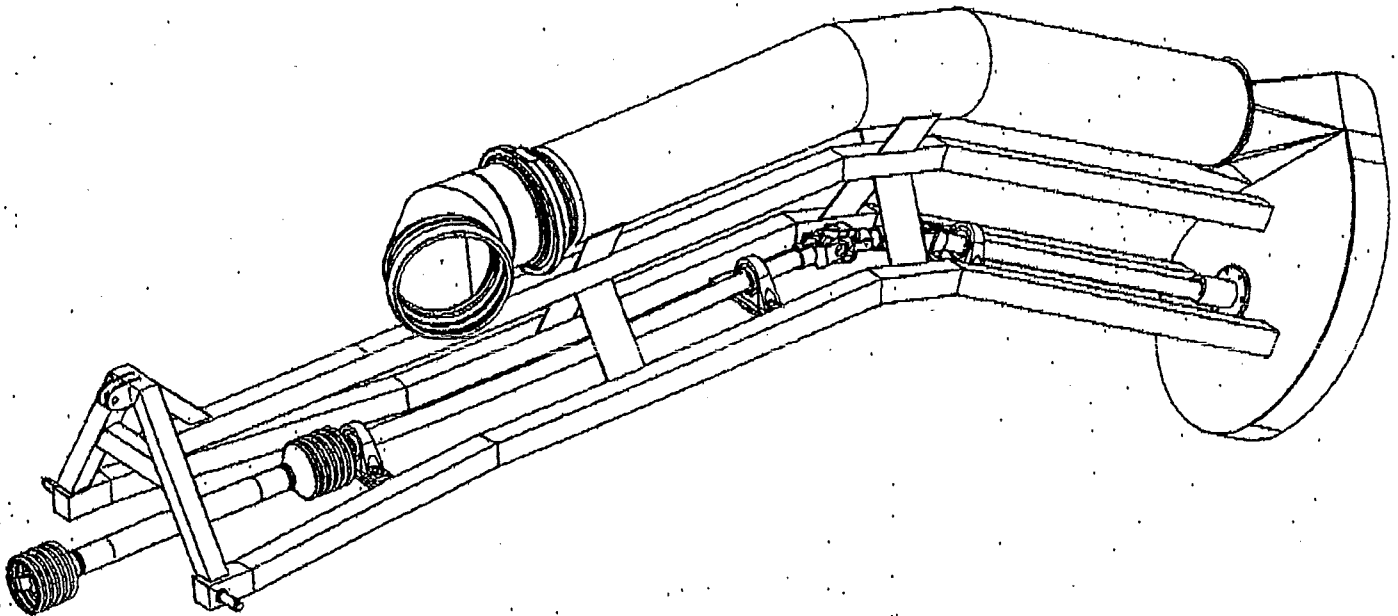


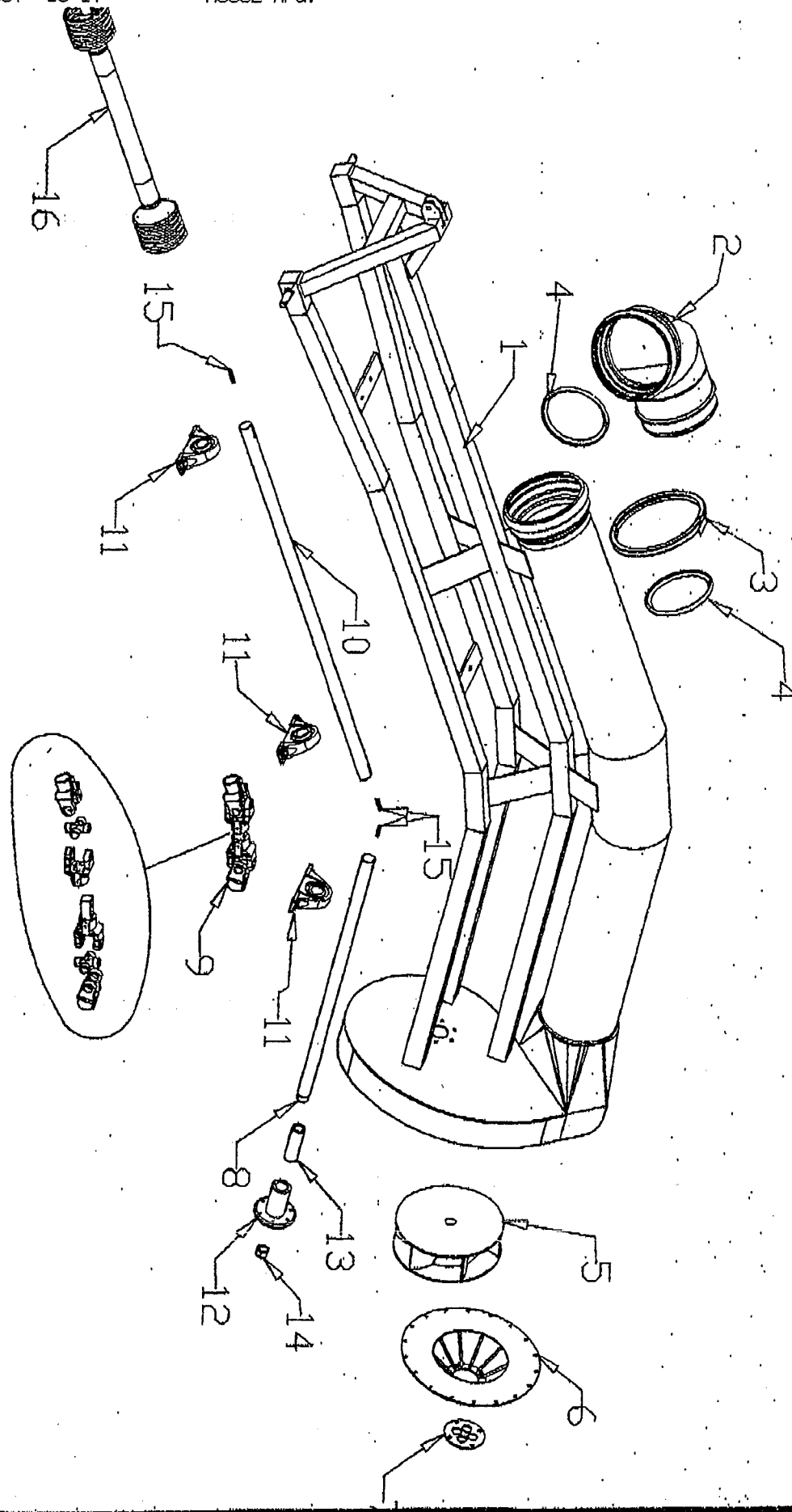
Manufacturing Company, Inc.

CT10H-F

SERIAL# _____

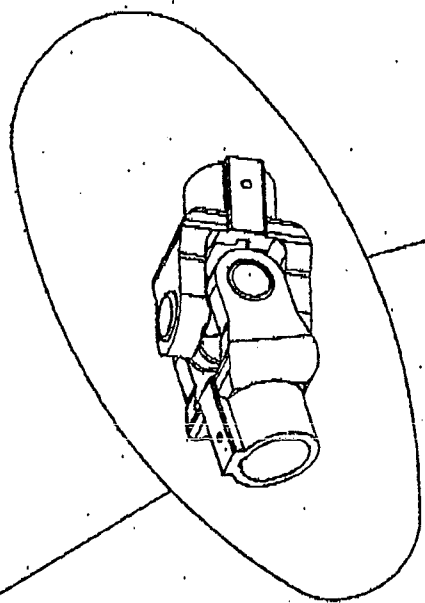


CT10H-F			
REF#	DESCRIPTION	QTY	PART NUMBER
1	Frame	1	MPU002636
2	Elbow 10" 90 Deg.	1	MFP01392
3	Lock, 10" Circle Ring	1	2123-04
4	Gasket, Rubber	1	1624-01
5	Impeller, 15-1/2"		MFP06011
5	Impeller, 17"		MFP06010
5	Impeller, 19-1/2 "		MFP06009
6	Strainer, Intake	1	MPU002536
7	Plate, Outer Strainer Intake	1	MPU002500
8	Shaft, 2"x 4'-1-3/4"	1	MPU002614
9	Assembly, Double Joint	1	PUJ01990
10	Shaft 2"x 5'-5-15/16"	4	MPU002615
11	Bearing, 2"	3	UCP211-32
12	Holder, Flanged Marine Bearing	1	MPU002587
13	Bearing, 2x3x8 Marine	1	KNAVE
14	Nut, 1-1/2" Bronze	1	PBN01070
15	Key, Shaft	3	MFP02998
16	PTO, 2"x 1-3/4 (20) 2500		PUJ01969
16	PTO, 2"x 1-3/8 (21) 2500		PUJ01977
16	PTO, 2"x 1-3/8 (6) 2500		PUJ01971

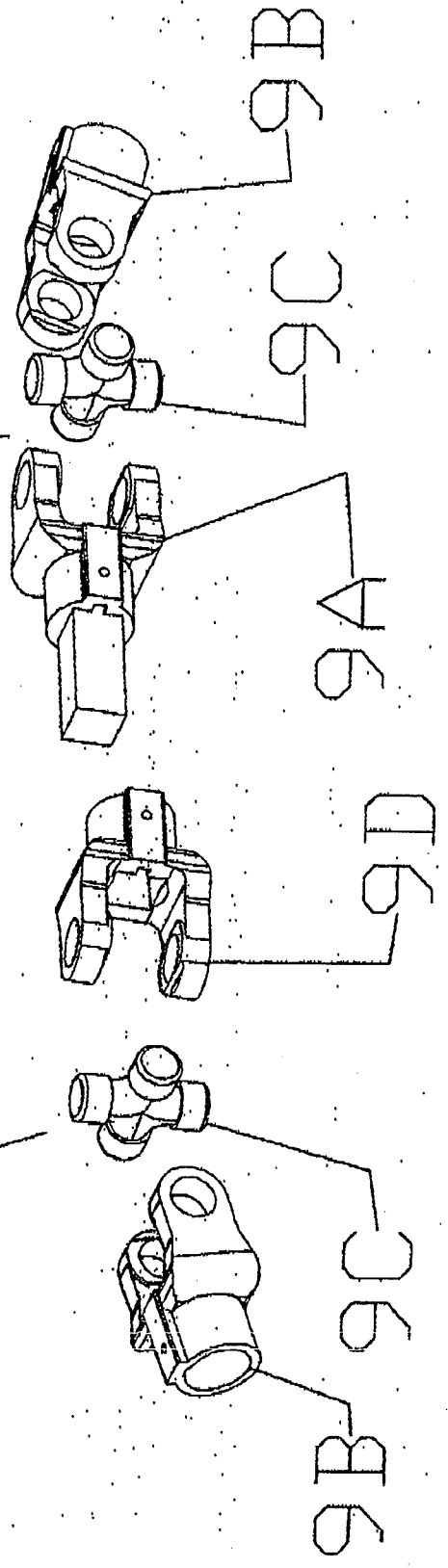
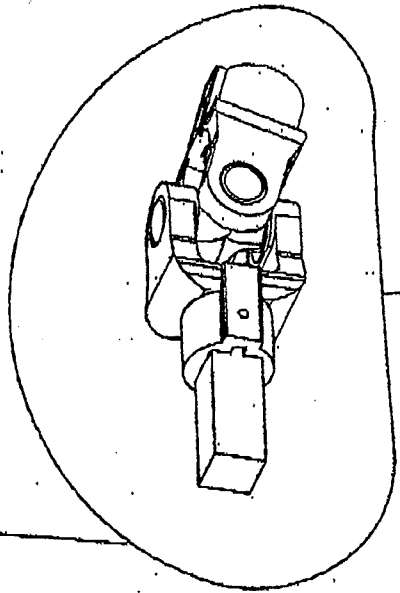


PUJ01990	
9A	Yoke / W Shaft
9B	Yoke
9C	Universal Joint
9D	Yoke
	1
	2
	2
	1
	PUJ02006
	1845582
	3025500
	1775500

MPU02020



MPU02021



REF#	DESCRIPTION	QTY	PART NUMBER
12	Holder, Flanged Marine Bearing	1	MPU002587
12A	Bolt, 3/8"x 1-1/2" Plow	24	PBNO2925
12B	Washer 3/8" Flat	24	PBNO4074
12C	Washer, 3/8" Lock	24	PBNO2977
12D	Nut, 3/8" Bronze	24	PBNO2927

