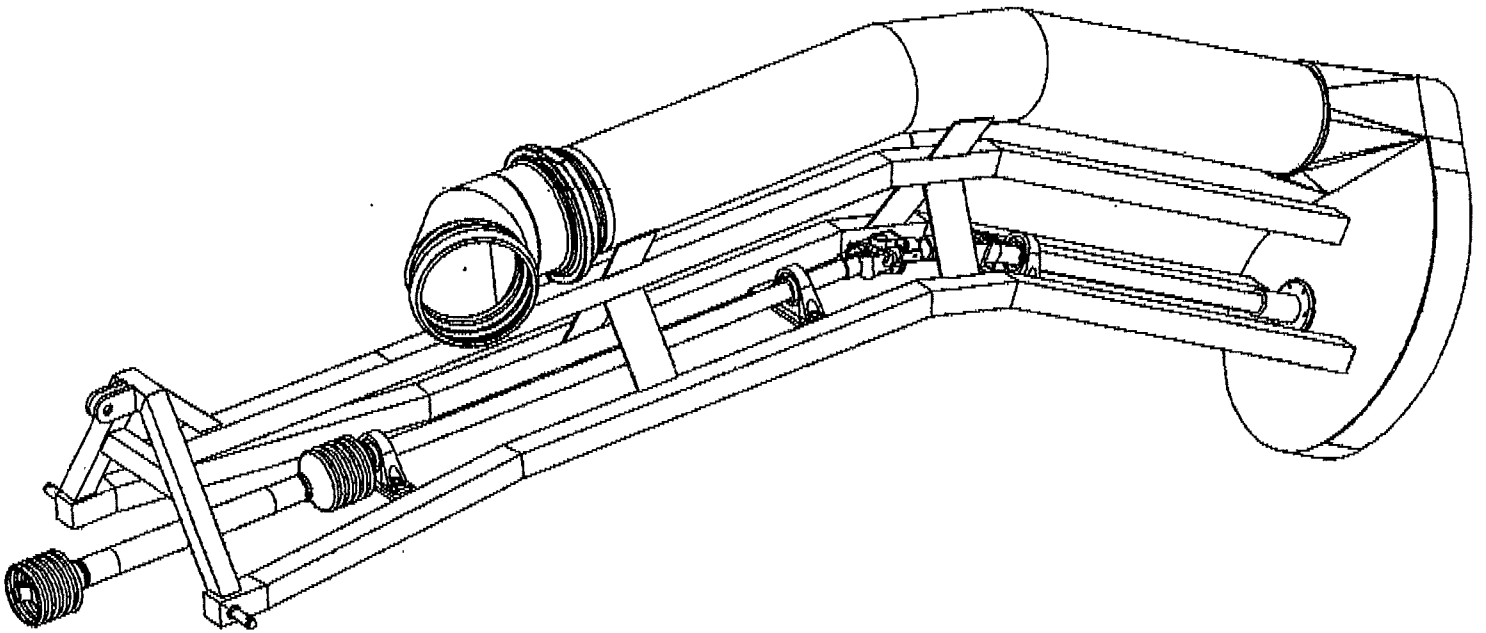




ECS
**House
Industries**
INCORPORATED

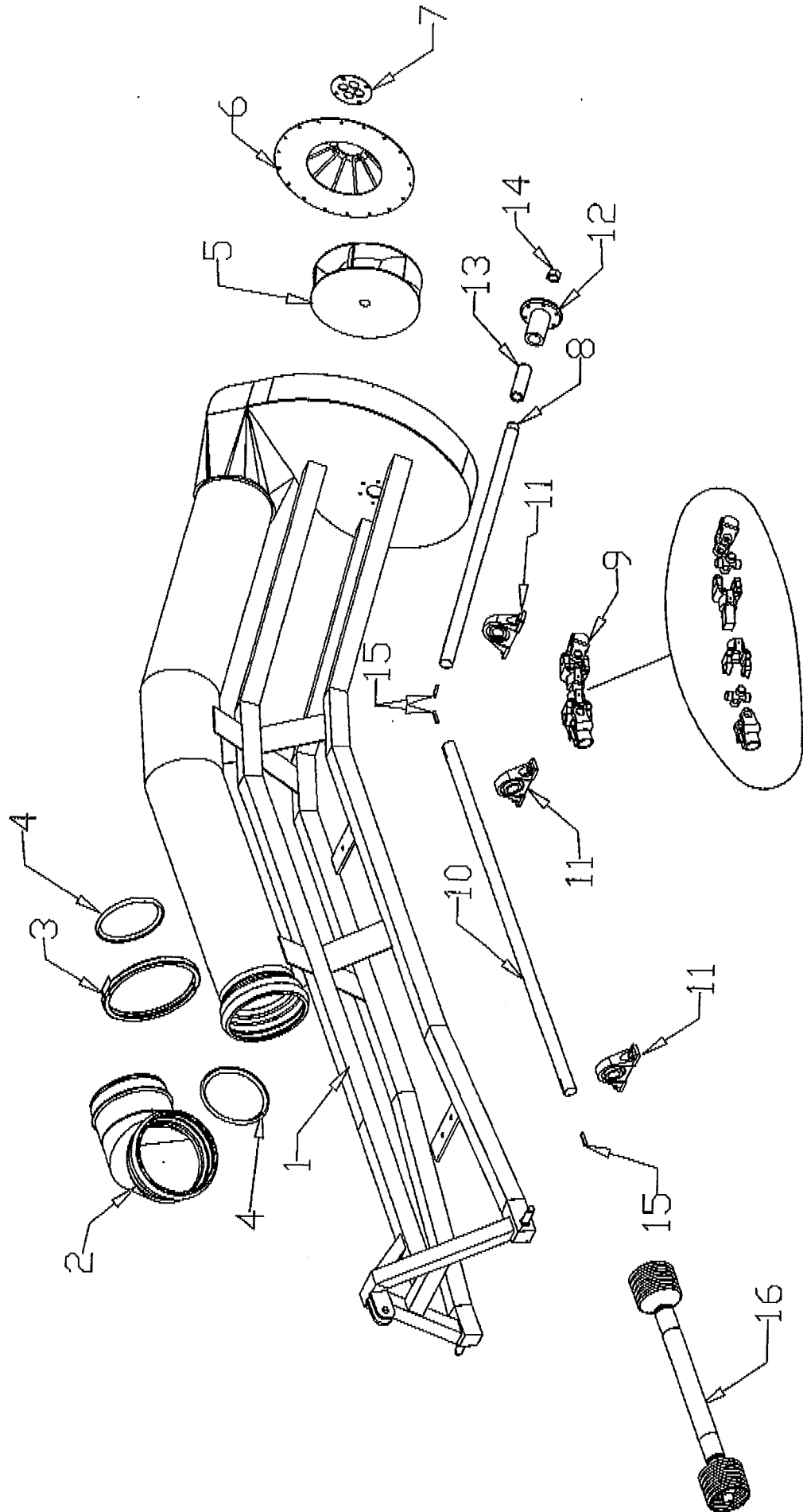
CT6M-F

SERIAL# _____

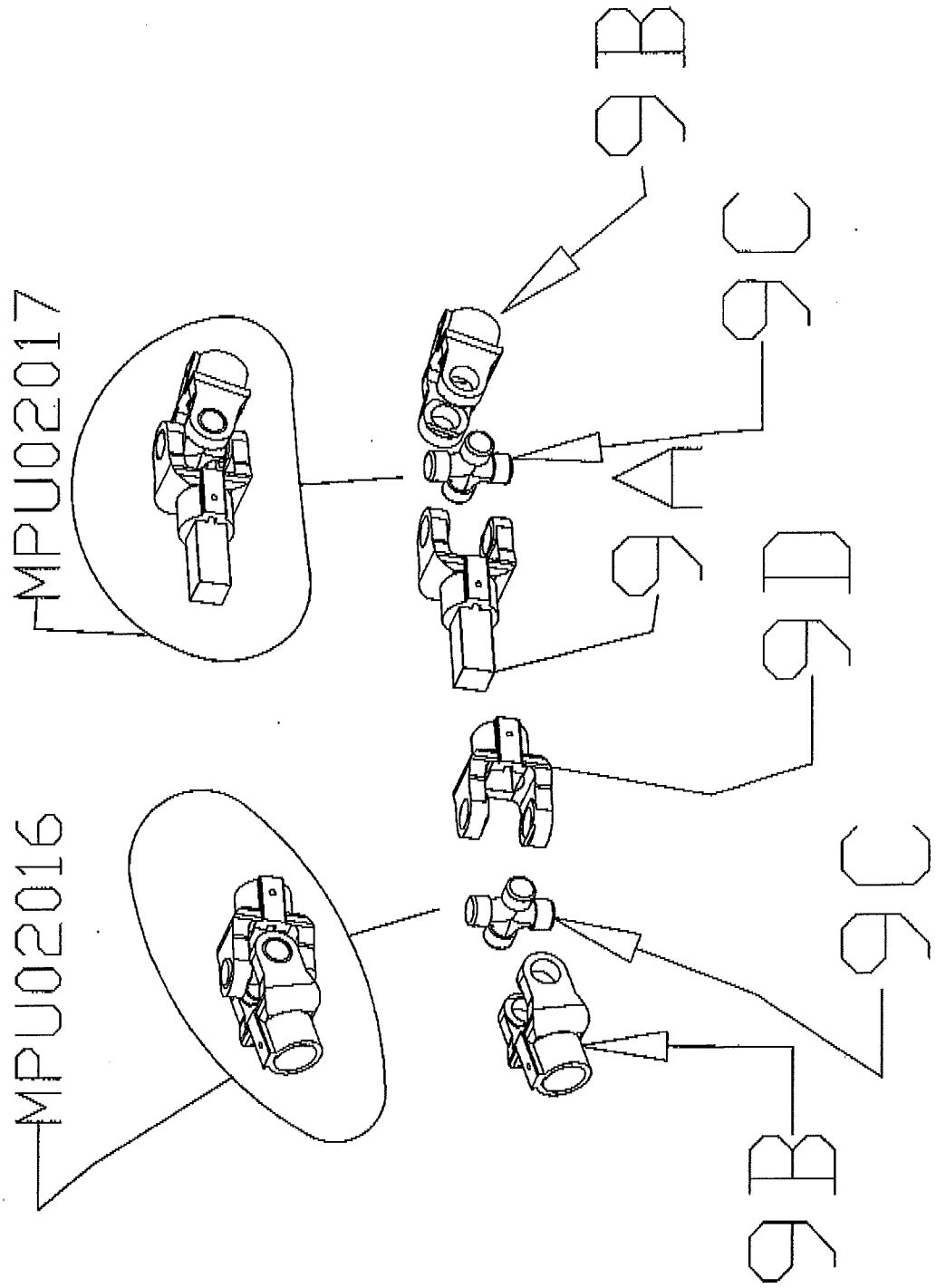


| CT6M-F | | | |
|--------|--------------------------------|-----|-------------------|
| REF# | DESCRIPTION | QTY | PART NUMBER |
| 1 | Frame | 1 | MPU002733 |
| 2 | Elbow 6" 45 Deg. | 1 | MFP01396 |
| 3 | Lock, 6" Circle Ring | 1 | 5PMP2123-02 |
| 4 | Gasket, Rubber | 1 | 5PMP1620-01 |
| 5 | Impeller, 17" | 1 | MFP06033 |
| 6 | Strainer, Intake | 1 | MPU002559 |
| 7 | Plate, Outer Strainer Intake | 1 | MPU002500 |
| 8 | Shaft, Rear 1-1/2"x4'-1-3/4" | 1 | MPU002616 |
| 9 | Assembly, Double Joint | 1 | PUJ01989 |
| 10 | Shaft, Front 1-1/2"x 5'-6" | 1 | MPU002617 |
| 11 | Bearing, 1-1/2" | 3 | 5BRGUCPL208-24 |
| 12 | Holder, Flanged Marine Bearing | 1 | MPU002586 |
| 13 | Bearing 1-1/2"x2"x6" Marine | 1 | 6BRG1 1/2x2x6 |
| 14 | Nut 1-1/4" LH | 1 | 5NUT1 1/4-10LHBRZ |
| 15 | Key, Shaft | 3 | MFP02998 |
| 16 | PTO, 1-1/2"x 1-3/8 (6) 2500 | | 5UJT392887 |
| 16 | PTO, 1-1/2"x 1-3/8 (6) 44 | | 5UJT14004424 |

CTM-F



| | |
|-----------------|-------------------------------|
| PUJ01989 | |
| 9A | Yoke / W Shaft 1 PUJ02004 |
| 9B | Yoke 2 5UJT8064424 |
| 9C | Universal Joint 2 5UJT2004400 |
| 9D | Yoke 1 5UJT3004400 |



| REF# | DESCRIPTION | QTY | PART NUMBER |
|------|--------------------------------|-----|--------------|
| 12 | Holder, Flanged Marine Bearing | 1 | MPU002586 |
| 12A | Bolt, 3/8"x 1-1/2" Plow | 24 | 6BLTPL38112Z |
| 12B | Washer 3/8" Flat | 24 | 6WSHFLT38S |
| 12C | Washer, 3/8" Lock | 24 | 6WSHLOCK38S |
| 12D | Nut, 3/8" Brs | 24 | 6NUT38HXBRS |

