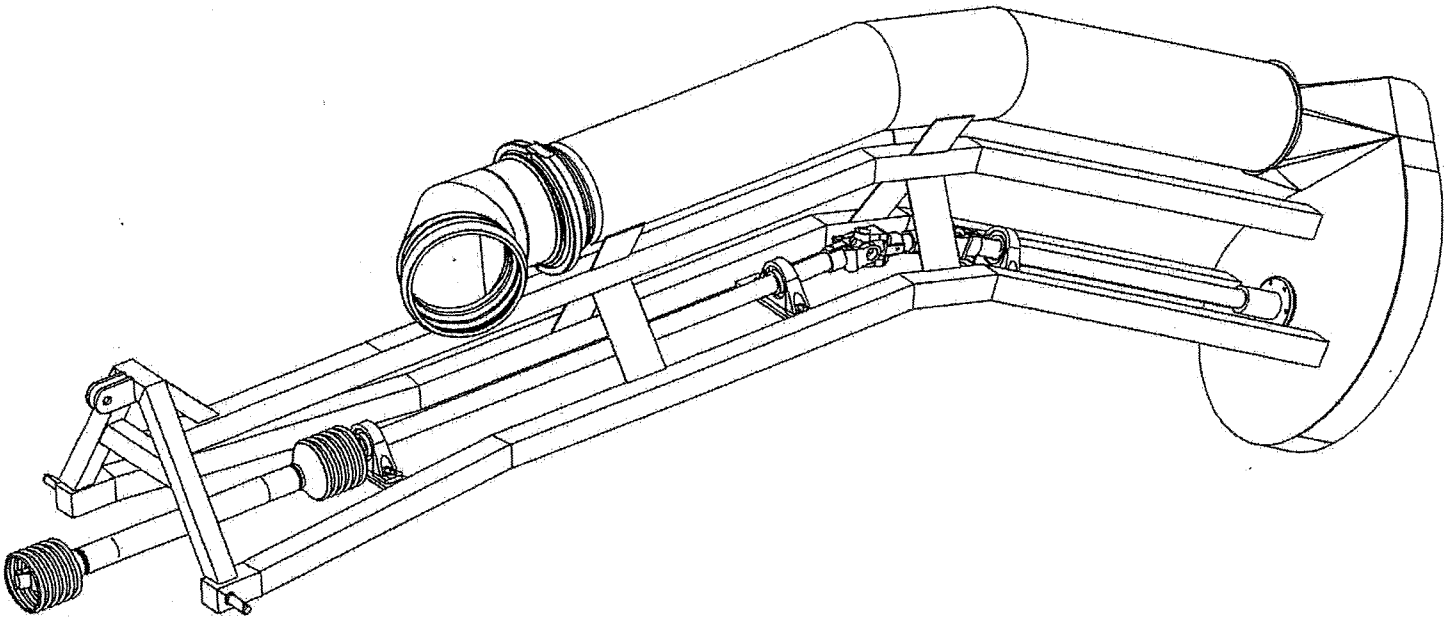


Manufacturing Company, Inc.

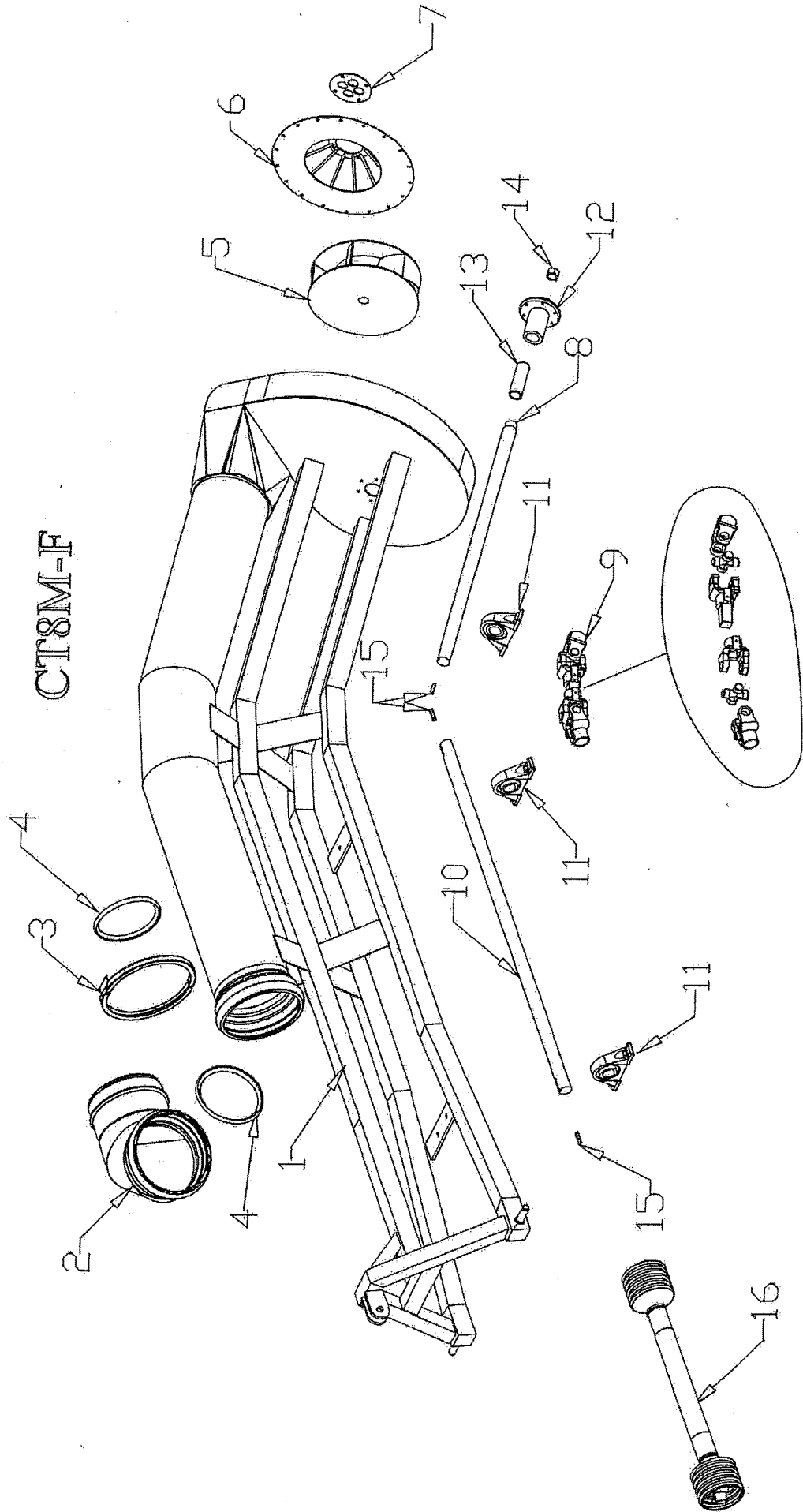
CT8M-F

SERIAL# \_\_\_\_\_



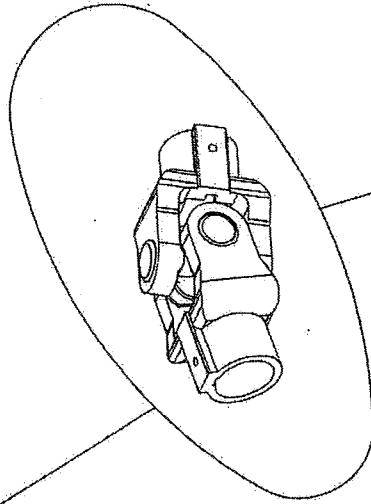
CTBM-F			
REF#	DESCRIPTION	QTY	PART NUMBER
1	Frame, CTBM	1	MPU002628
2	Elbow 8" 45 Deg.	1	MFP01396
3	Lock, 8" Circle Ring	1	5PMP2123-03
4	Gasket, Rubber	2	5PMP1622-01
5	Impeller, 17"	1	MFP06033
6	Strainer, Intake	1	MPU002559
7	Plate, Outer Strainer Intake	1	MPU002500
8	Shaft, Rear 1-1/2"x4'-1-3/4"	1	MPU002616
9	Assembly, Double Joint	1	PUJ01966
10	Shaft, Front 1-1/2"x 5'-6"	1	MPU002617
11	Bearing, 1-1/2"	3	5BRGUCPL208-24
12	Holder, Flanged Marine Bearing	1	MPU002586
13	Bearing 1-1/2"x2"x6" Marine	1	5BRG1 1/2x2x6
14	Nut 1-1/4" LH	1	5NUT1 1/4-10LHBRZ
15	Key, Shaft	3	MFP02998
16	PTO, 1-1/2"x 1-3/8 (6) 2500		5UJT392687
16	PTO, 1-1/2"x 1-3/8 (6) 44		5UJT14004424

CT8M-F

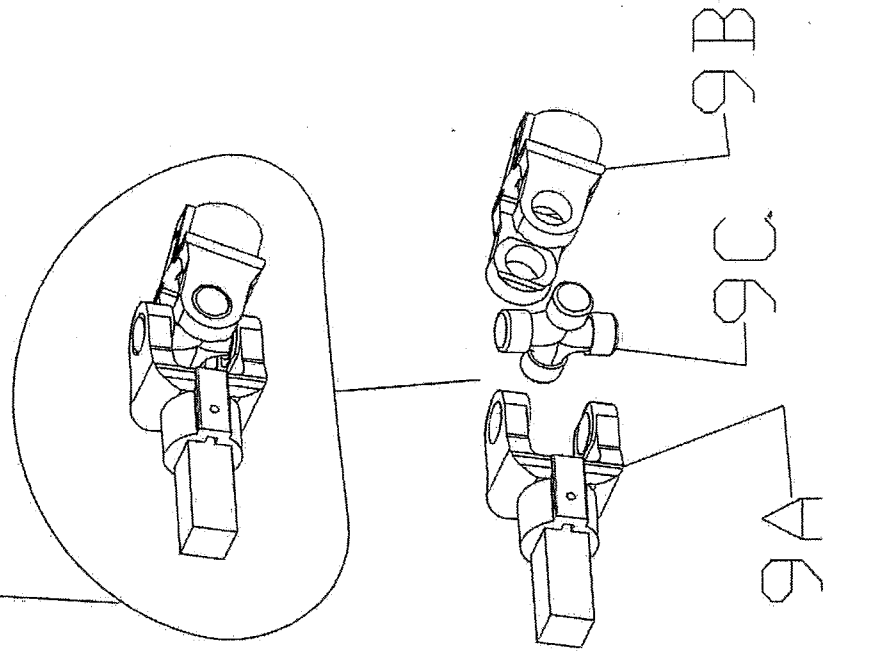


PUJ01966		
9A	Yoke / W Shaft	1
9B	Yoke	2
9C	Universal Joint	2
9D	Yoke	1
		PUJ02004
		5UJT34400183
		5UJTHM431
		5UJT177-4400

MPU02016



MPU02017



CT8M			
REF#	DESCRIPTION	QTY	PART NUMBER
12	Holder, Flanged Marine Bearing	1	MPU002586
12A	Bolt, 3/8"x 1-1/2" Plow	24	5BLTPL38112Z
12B	Washer 3/8" Flat	24	5WSHFLT38S
12C	Washer, 3/8" Lock	24	5WSHLOCK38S
12D	Nut, 3/8" Brs	24	5NUT38HXBRS

