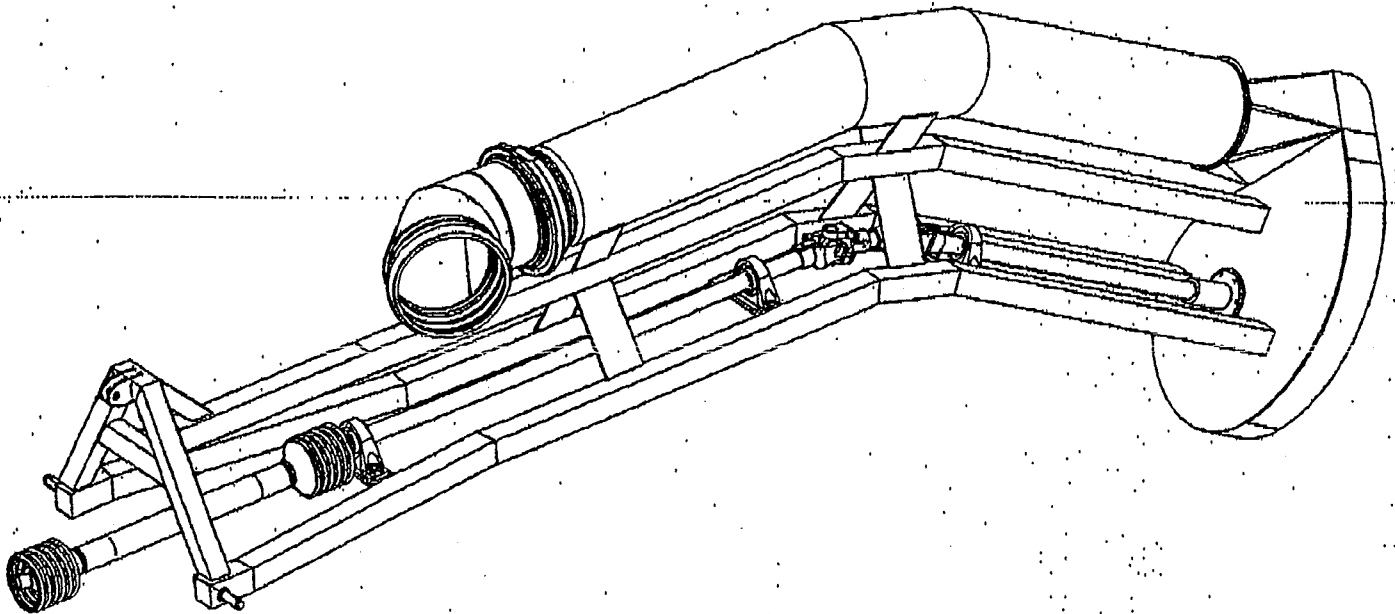


Manufacturing Company, Inc.

CT12H-F

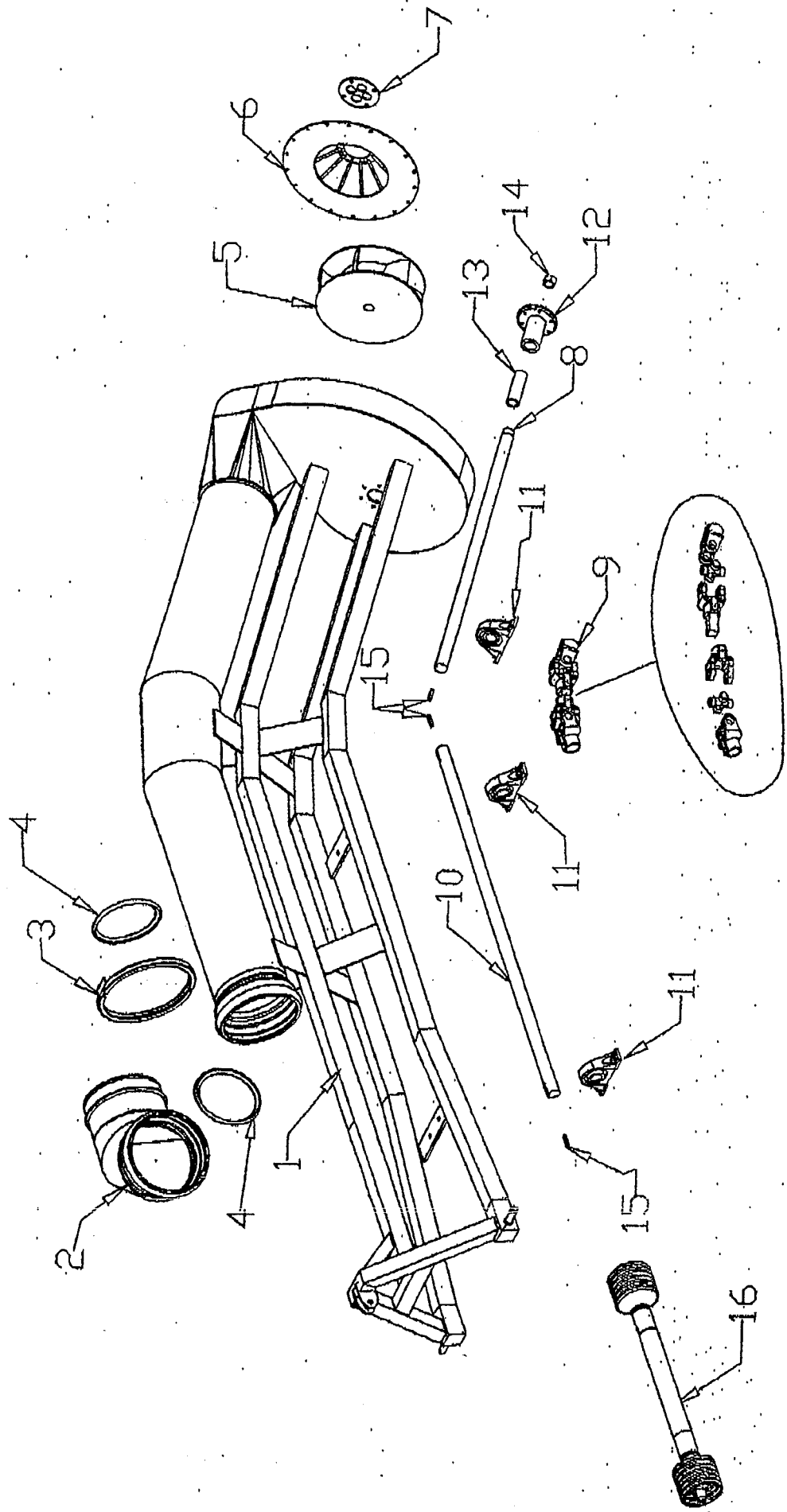
SERIAL# _____



CT12H-F			
REF#	DESCRIPTION	QTY	PART NUMBER
1	Frame	1	MPU002636
2	Elbow 12" 90 Deg.	1	MFP01393
3	Lock, 12" Circle Ring	1	2123-05
4	Gasket, Rubber	1	1625-01
5	Impeller, 15-1/2"		MFP06015
5	Impeller, 17"		MFP06014
5	Impeller, 19-1/2"		MFP06013
6	Strainer, Intake	1	MPU002535
7	Plate, Outer Strainer Intake	1	MPU002500
8	Shaft, 2"x 4'-1-3/4"	1	MPU002614
9	Assembly, Double Joint	1	PUJ01990
10	Shaft 2"x 5'-5-15/16"	4	MPU002615
11	Bearing, 2"	3	UCP211-32
12	Holder, Flanged Marine Bearing	1	MPU002587
13	Bearing, 2x3x8 Marine	1	KNAVE
14	Nut, 1-1/2" Bronze	1	PBN01070
15	Key, Shaft	3	MFP02998
16	PTO, 2"x 1-3/4 (20) 2500		PUJ01969
16	PTO, 2"x 1-3/8 (21) 2500		PUJ01977
16	PTO, 2"x 1-3/8 (6) 2500		PUJ01971

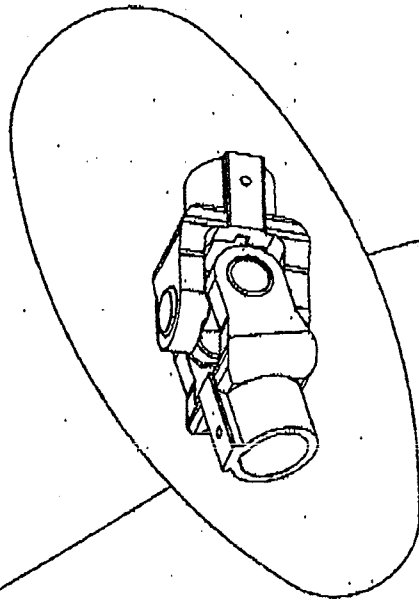
5BRG 2x3x8



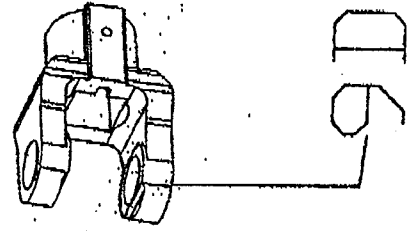
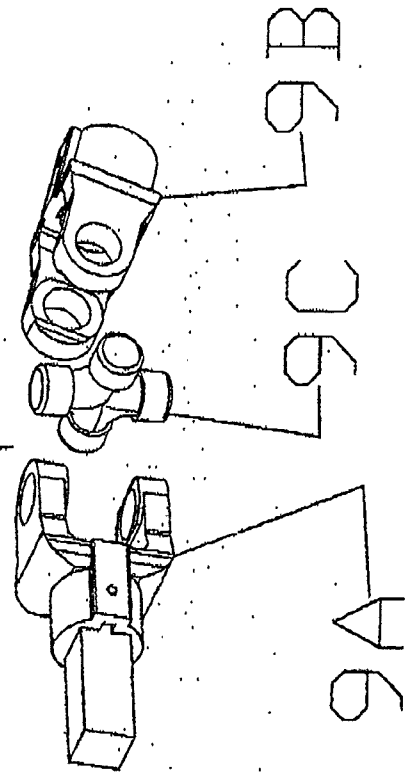
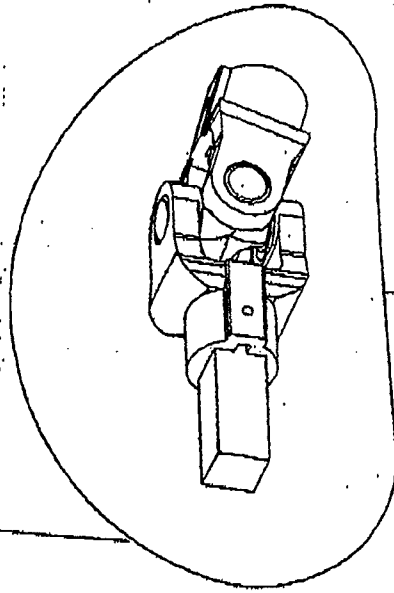


PUJ01990			
9A	Yoke / W Shaft	1	PUJ02006
9B	Yoke	2	1845532
9C	Universal Joint	2	3025500
9D	Yoke	1	1775600

MPU02020



MPU02021



9B 9C

9D

9A

9C

9B

REF#	DESCRIPTION	QTY	PART NUMBER
12	Holder, Flanged Marine Bearing	1	MPU002587
12A	Bolt, 3/8"x 1-1/2" Plow	24	PBNO2925
12B	Washer 3/8" Flat	24	PBNO4074
12C	Washer, 3/8" Lock	24	PBNO2977
12D	Nut, 3/8" Bronze	24	PBNO2927

