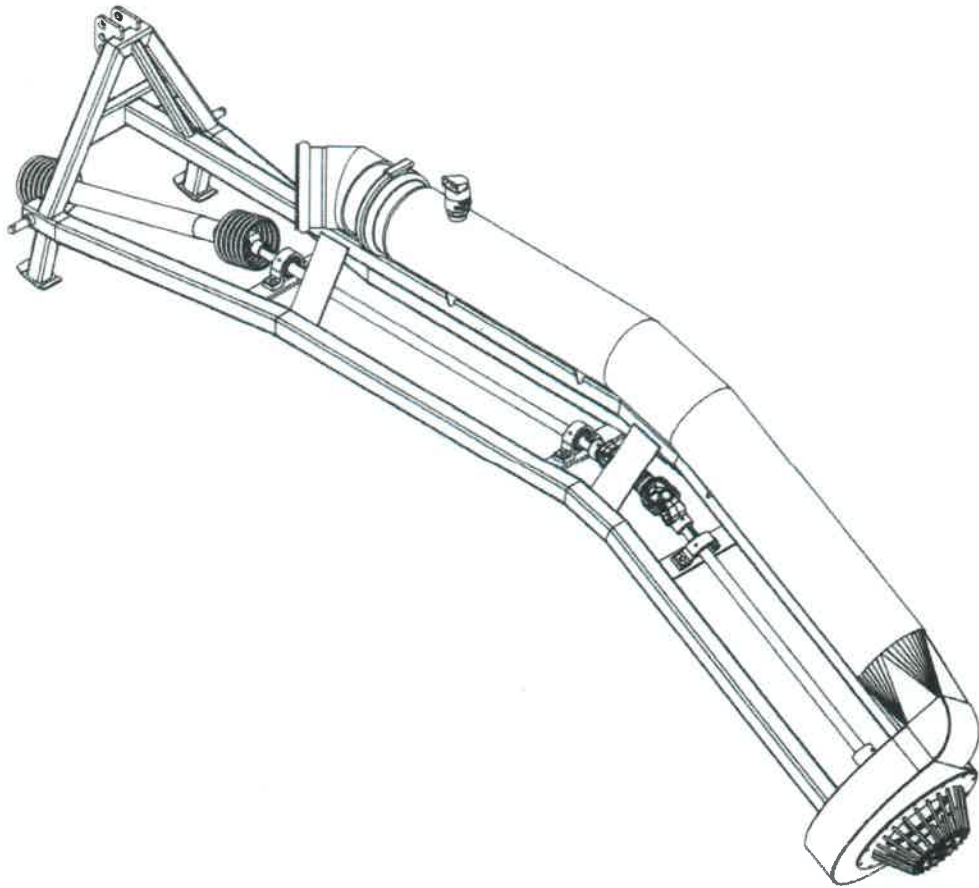
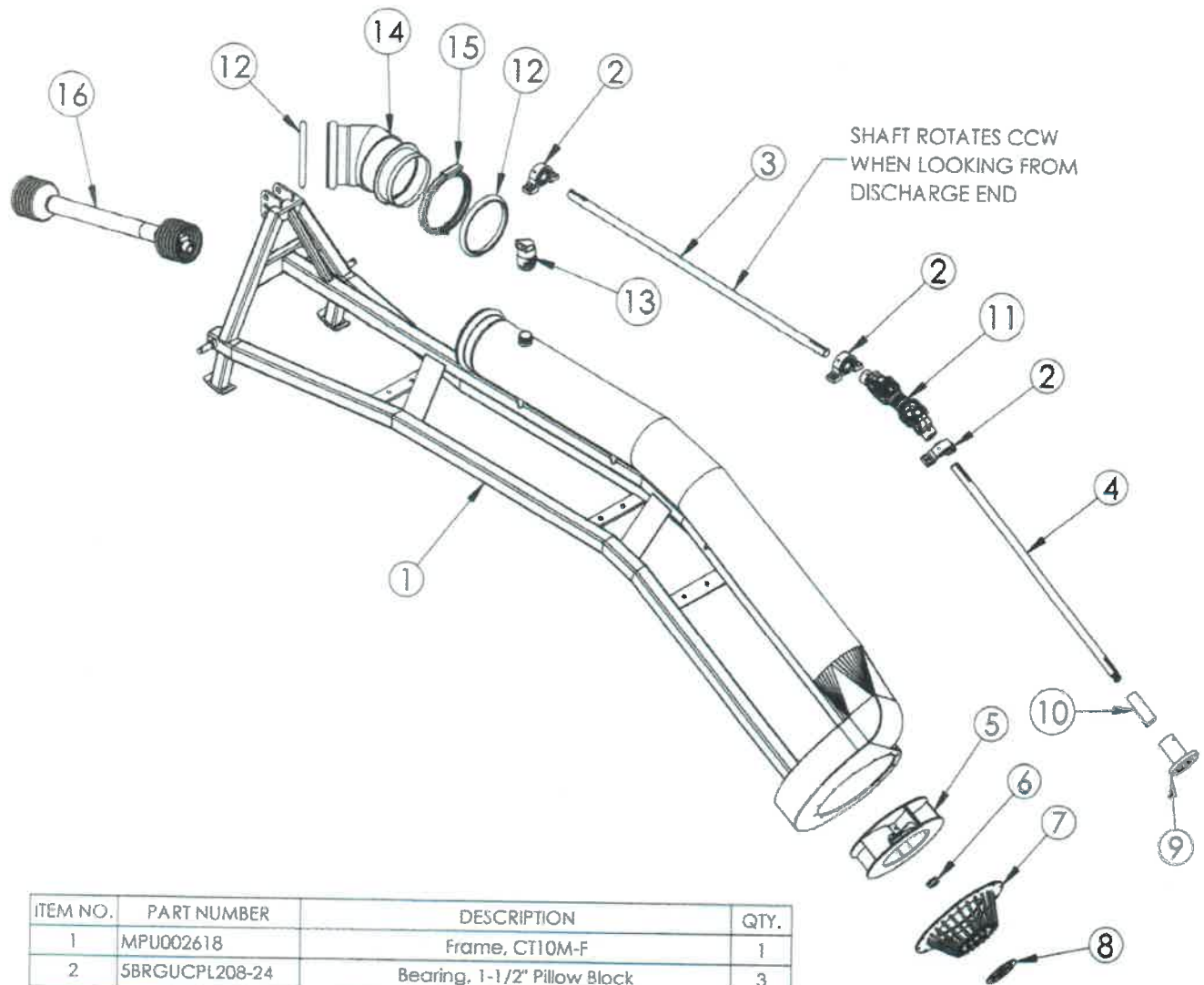




CT10M-F  
10" CAMELBACK III PUMP  
Parts List & Drawings  
1/8/2019



***DO NOT  
OPERATE  
PUMP  
UNLESS  
IT IS IN  
WATER***

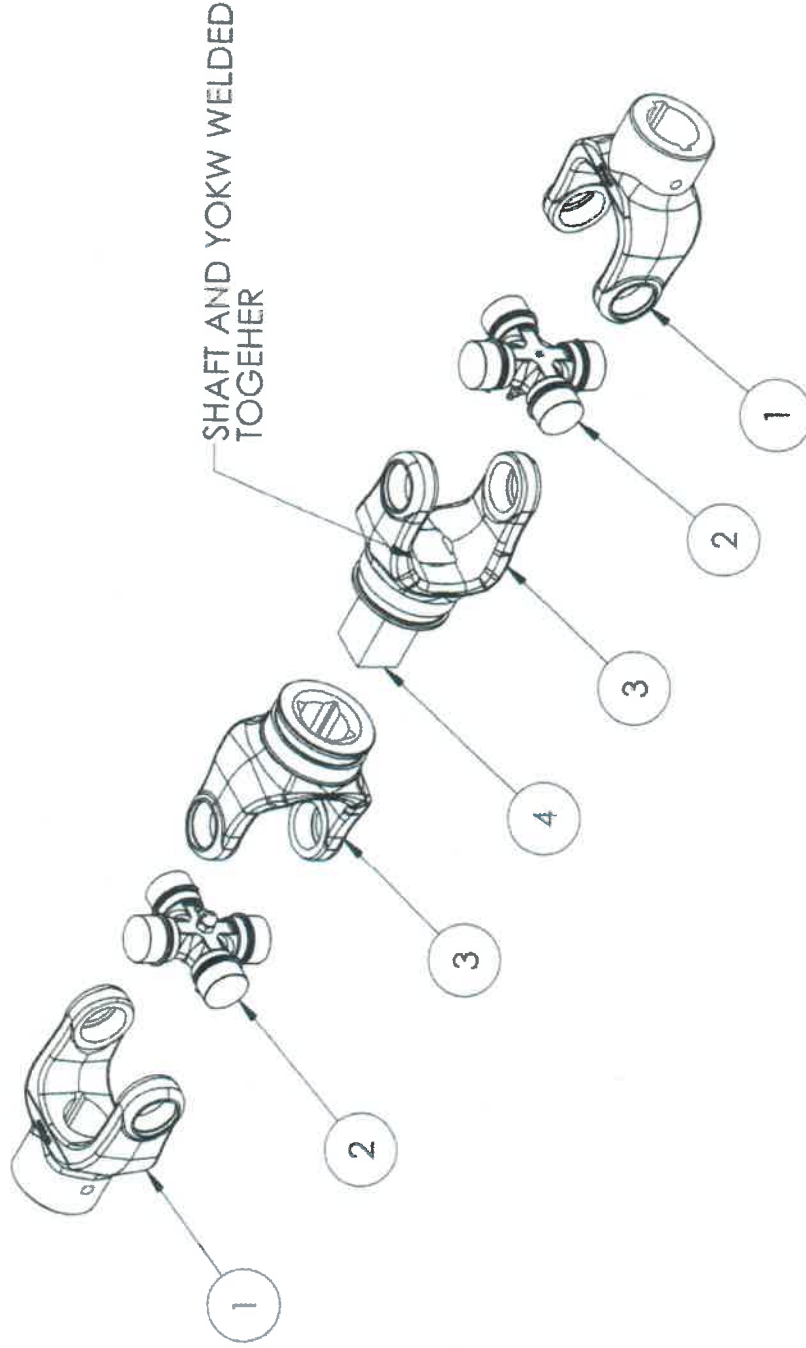


ITEM NO.	PART NUMBER	DESCRIPTION	QTY.	
1	MPU002618	Frame, CT10M-F	1	
2	5BRGUCPL208-24	Bearing, 1-1/2" Pillow Block	3	
3	MPU002617	Shaft, Front CTM	1	
4	MPU002616	Shaft, Rear CTM	1	
5	MFP06036	Impeller, 17" (6M/8M)	1	
6	5NUT114LHBRZ	Nut, Headnut 1-1/4" 10TPI LH Brnz	1	
7	MPU002560	Strainer, New Style (10M Pump)	1	
8	MPU002500	Plate, Outboard Strainer	1	
9	MPU002586	Holder, 1-1/2" Marine Bearing Flanged Bolt-On	1	
10	5BRG112X2X6	Bearing, Marine 1-1/2" X 2" X 6"	1	
11	PUJ01989	Joint, 44N Double 1-1/2"	1	
12	5PMP1624-01	Gasket, 10" Rubber	2	
13	5PMP04801000	Vent, Air	1	
*	14	MFP01397	Elbow, Circle Lock 45-Degree 10"	1
	15	5PMP2123-04	Lock, Circle Ring 10"	1
	16	SUJT392687	Shaft, PTO W2500 1-1/2" RD 540	1

\*OPTIONS: 90 DEG ELBOW (MFP01392)  
 FLEX HOSE KIT (MPU002499)



ITEM NO.	PART NUMBER	DESCRIPTION	QTY.
1	5UJT806-4424	Yoke 1-1/2" RD 44	2
2	5UJT200-4400	Kit U-joint 44R	2
3	5UJT300-4400	Yoke, 44R Bar Weld (Shaft)	2
4	5UJT136-2100	Shafting, 1-3/16" SQ	1



SIZE DWG. NO. REV  
**A** PUJ01989

**Joint, 44N Double 1-1/2"**