

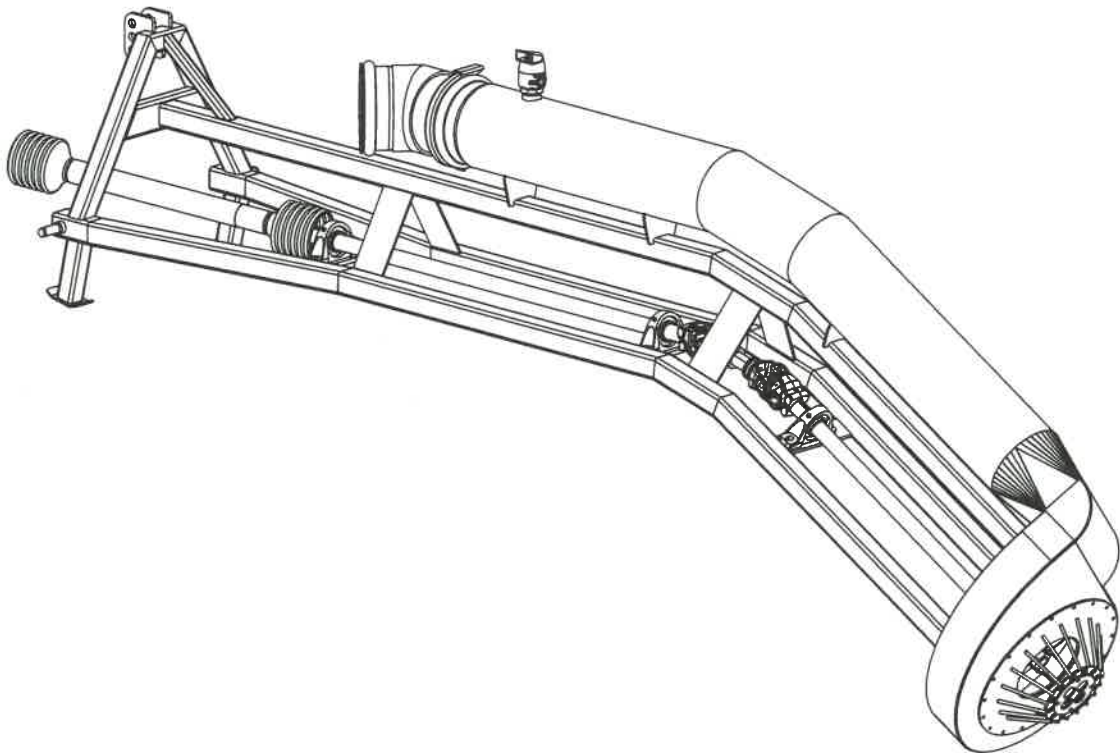


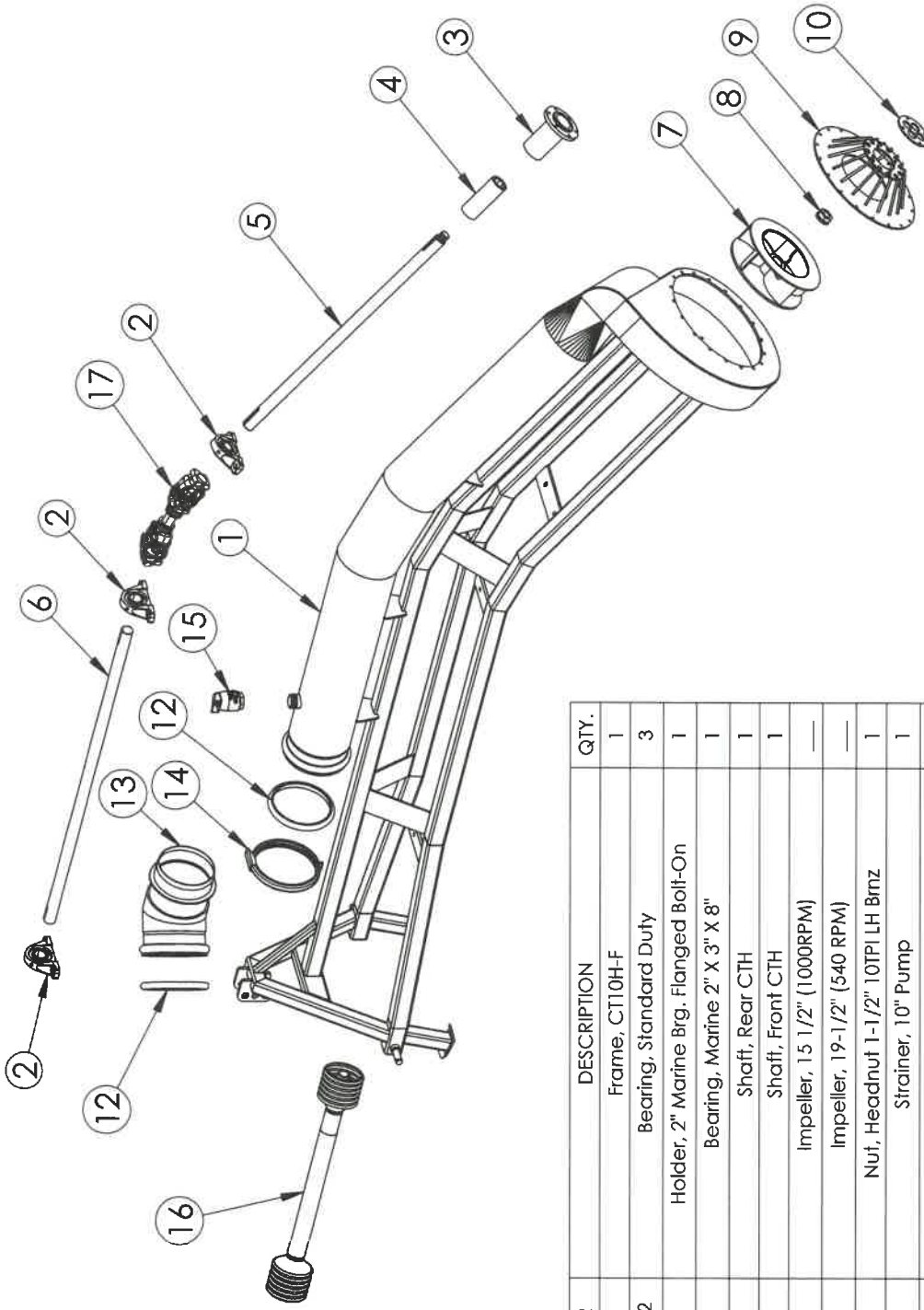
CT10H-F

10" CAMELBACK III PUMP

Parts List & Drawings

11/28/2018





ITEM NO.	PART NUMBER	DESCRIPTION	QTY.
1	MPU002732	Frame, CT10H-F	1
2	5BRGUCPL211-32	Bearing, Standard Duty	3
3	MPU002587	Holder, 2" Marine Brg. Flanged Bolt-On	1
4	5BRG2X3X8	Bearing, Marine 2" X 3" X 8"	1
5	MPU002614	Shaft, Rear CTH	1
6	MPU002615	Shaft, Front CTH	1
7	MFP06011	Impeller, 1.5 1/2" (1000RPM)	—
7	MFP06009	Impeller, 1.9-1/2" (540 RPM)	—
8	5NUT112LHBRZ	Nut, Headnut 1-1/2" 10TPI LH Brnz	1
9	MPU002558	Strainer, 10" Pump	1
10	MPU002500	Plate, Outboard Strainer	1
12	5PMP1624-01	Gasket, 10" Rubber	2
13	MFP01397	Elbow, Circle Lock 45-Degree 10"	1
14	5PMP2123-04	Lock, Circle Ring 10"	1
15	5PMP04801000	Vent, Air	1
16	5UJT392688	Shaft, PTO 2RB X 1.375" 6-Spline 2500 (540)	—
16	5UJT392686	Shaft, PTO 2RB X 1.375" 21-Spline 2500 (Small 1000)	—
16	5UJT392689	Shaft, PTO 2RB X 1.75" 20-Spline 2500 (Large 1000)	—
17	MPU002410	Assy. Double Joint 2" (Weasler)	1

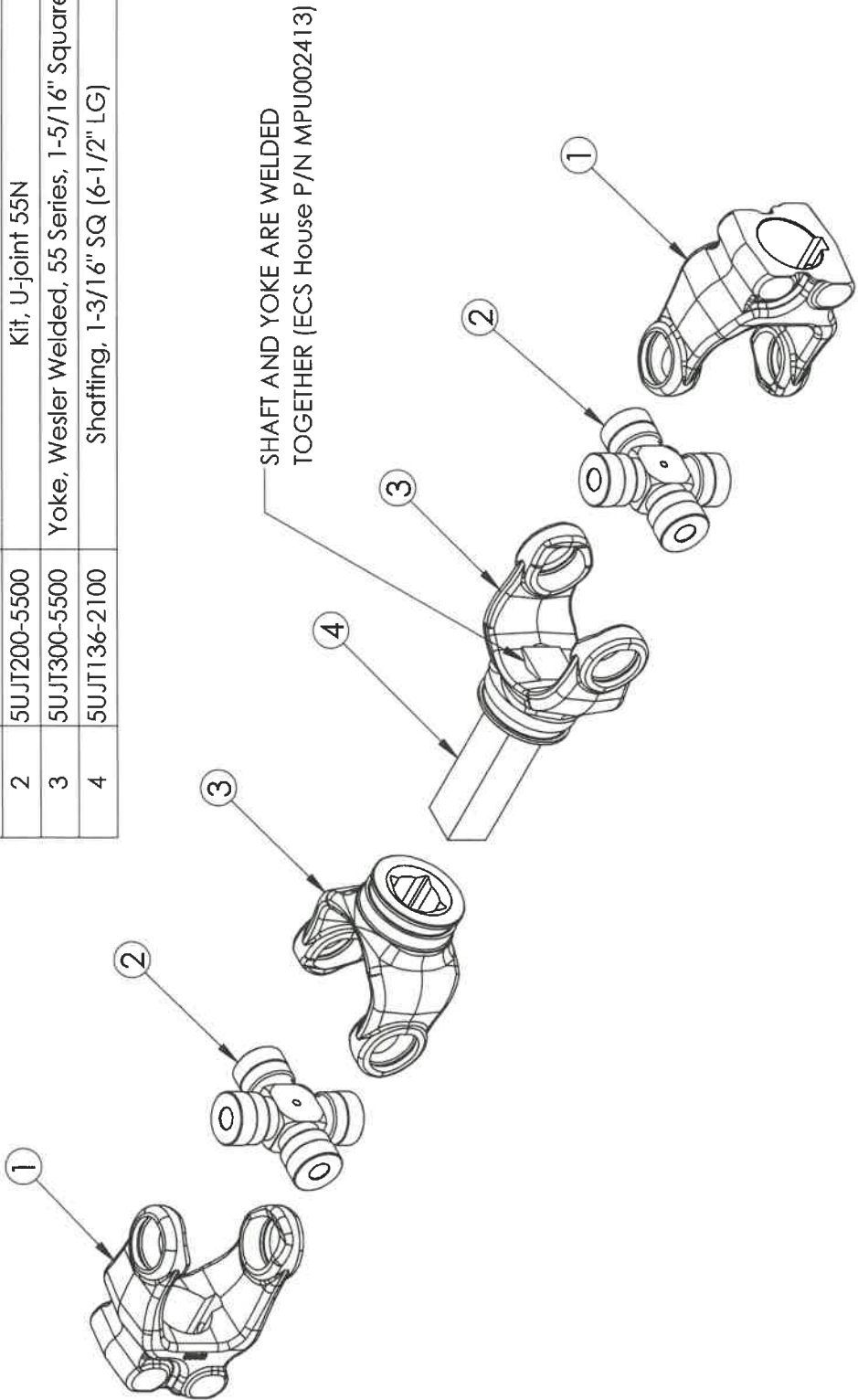
*

OPTIONS: 90 DEG ELBOW (MFP01392)
 FLEX HOSE KIT (MPU002499)



SIZE	DWG. NO.	REV
A	CT10H-F	
	11/28/2018	SHEET 1 OF 1

ITEM NO.	PART NUMBER	DESCRIPTION	QTY.
1	5UJT800-5532	Yoke, Weasler 55 Series 2"	2
2	5UJT200-5500	Kit, U-joint 55N	2
3	5UJT300-5500	Yoke, Wesler Welded, 55 Series, 1-5/16" Square	2
4	5UJT136-2100	Shafting, 1-3/16" SQ (6-1/2" LG)	1



DOUBLE JOINT ASSEMBLY 2" (WEASLER)



SIZE	DWG. NO.	REV
A	MPU002410	
	6/24/2019	SHEET 1 OF 1