



PARTS BOOK

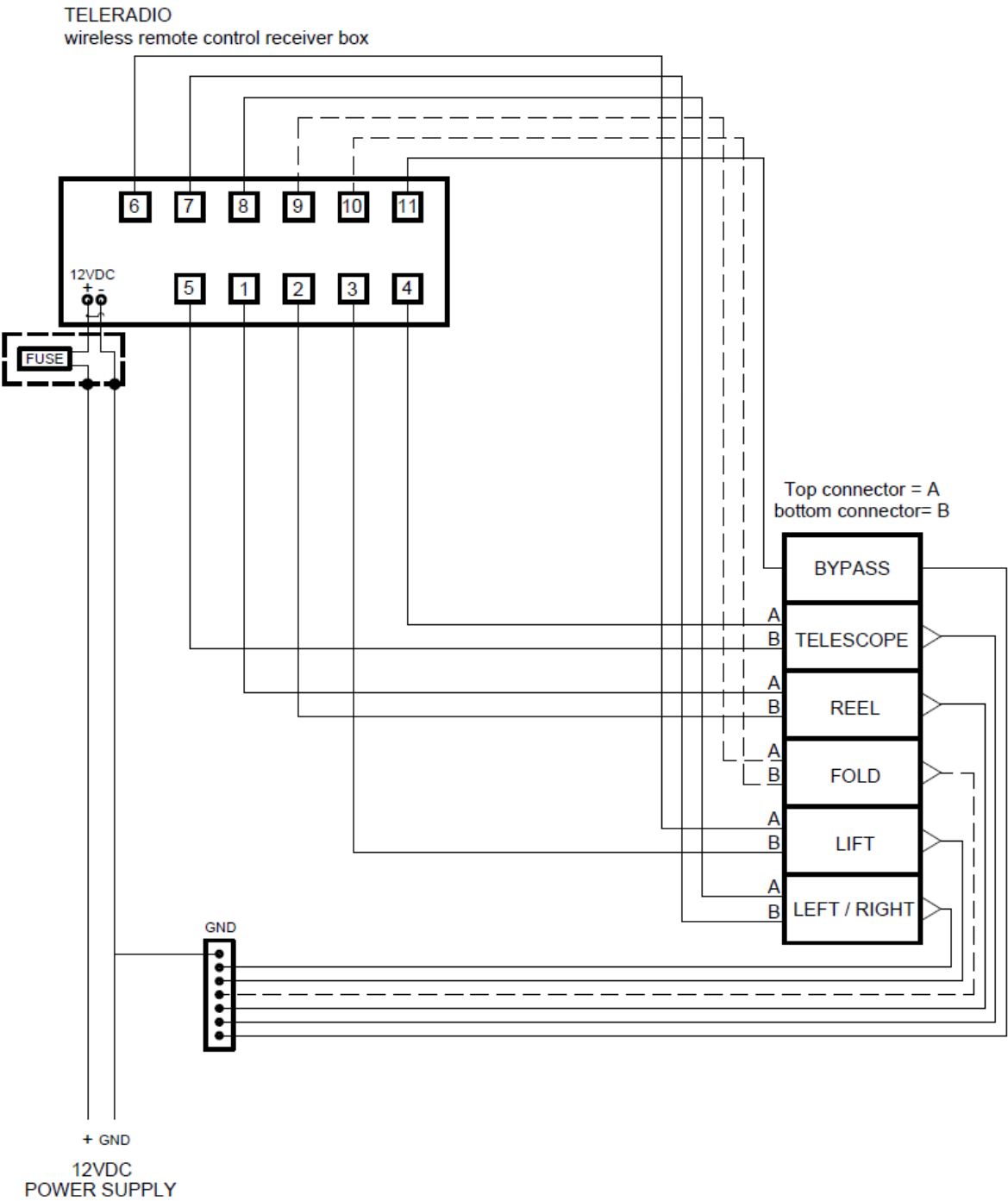
HOMBURG DELTA MACHINES > 2020

HOMBURG HOLLAND
IT NOARDERFJILD 21
9051 BM – The Netherlands

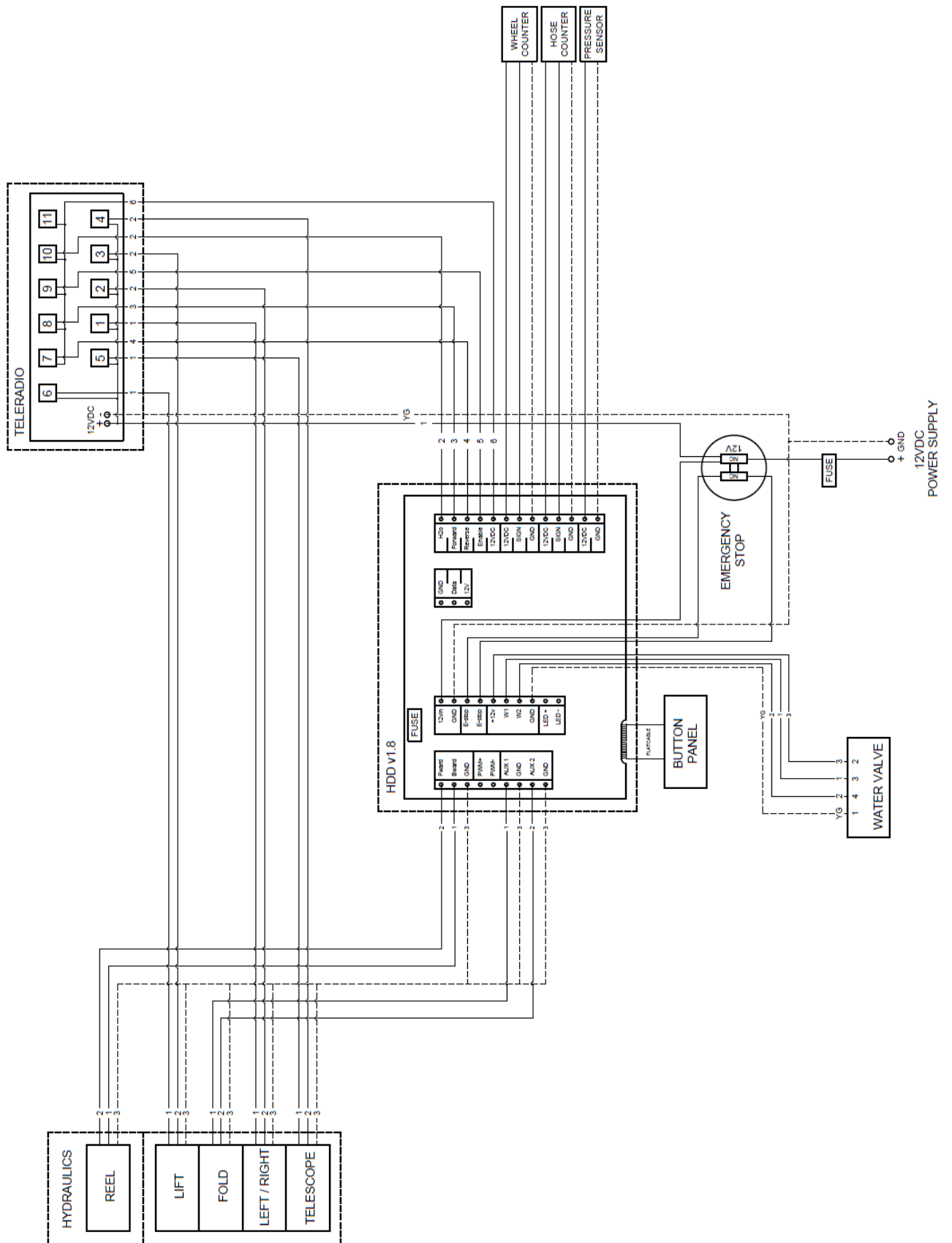
Table of contents

Electrical diagram standard machine	2
Electrical diagram HDD 1.0 machine.....	3
Hydraulic diagram standard machine 2020-2021	4
Hydraulic diagram standard machine, 2022-	5
Hydraulic diagram, hydraulic driven water pump	6
Water diagram standard machine	7
Parts catalogue – Frame.....	8
Parts catalogue – Reel	9
Parts catalogue – Boom part 1.....	10
Parts catalogue – Boom part 2.....	11
Parts catalogue – Boom Details.....	12
Parts catalogue – 220-11091 - Support bracket	13
Parts catalogue – Roller Bend part 1	14
Parts catalogue – Roller Bend part 2	15
Parts catalogue – Shaft leading set 30cm.....	16
Parts catalogue – Shaft leading set 40cm.....	17
Parts catalogue – Shaft leading set 70cm.....	18
Parts catalogue – Pump Immovilli M135 / S.....	19
Parts catalogue – Pressure regulator Nobili.....	20
Parts catalogue – Water system parts	21
Contact information	22

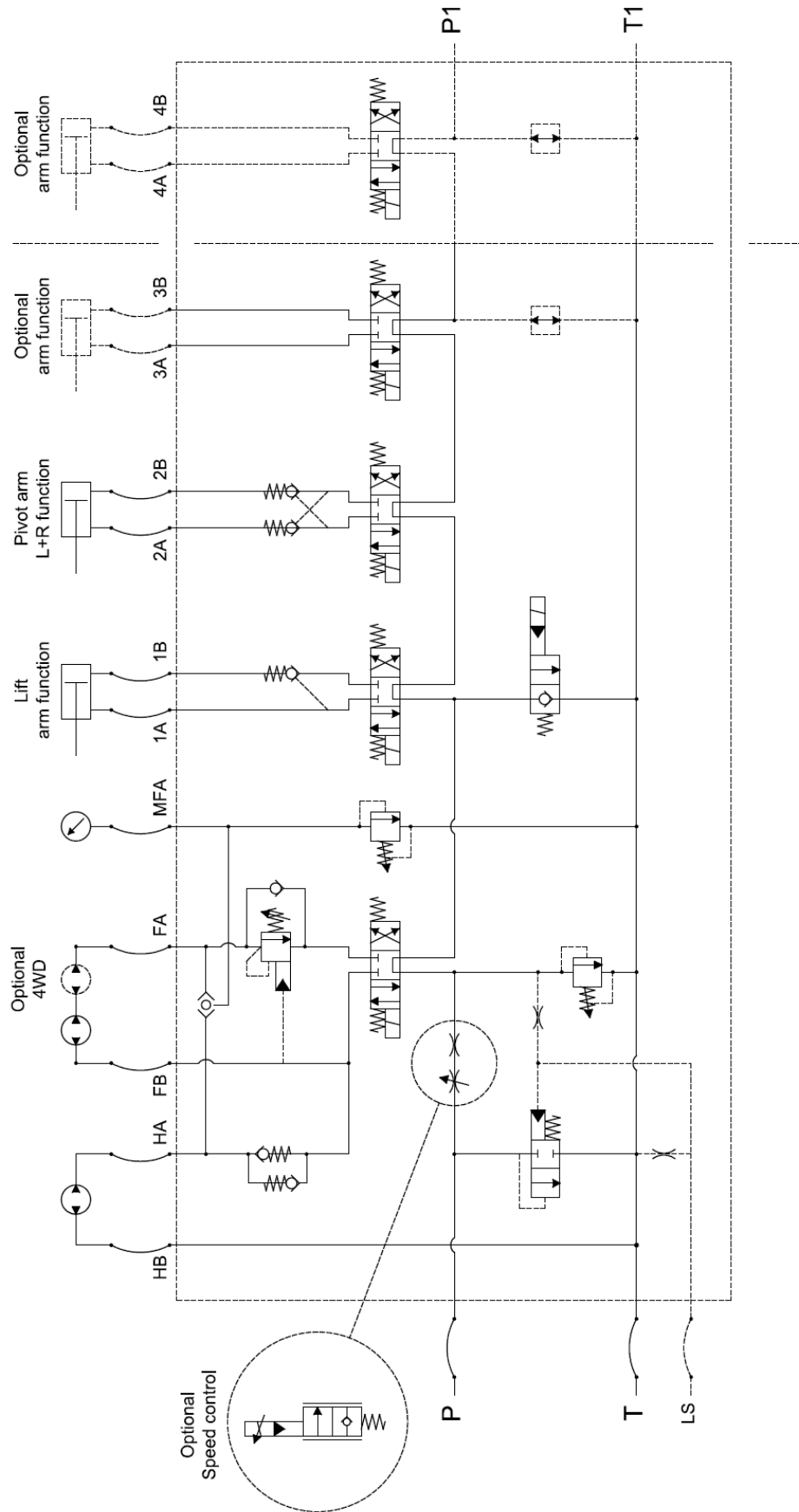
Electrical diagram standard machine



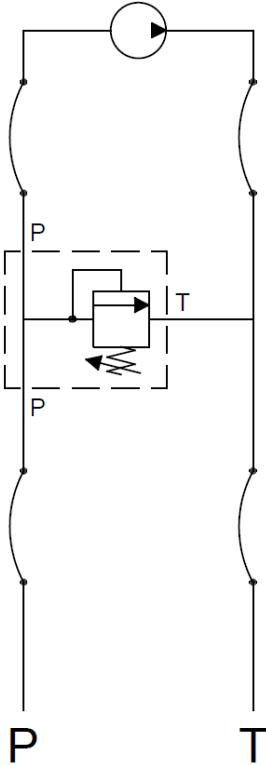
Electrical diagram HDD 1.0 machine



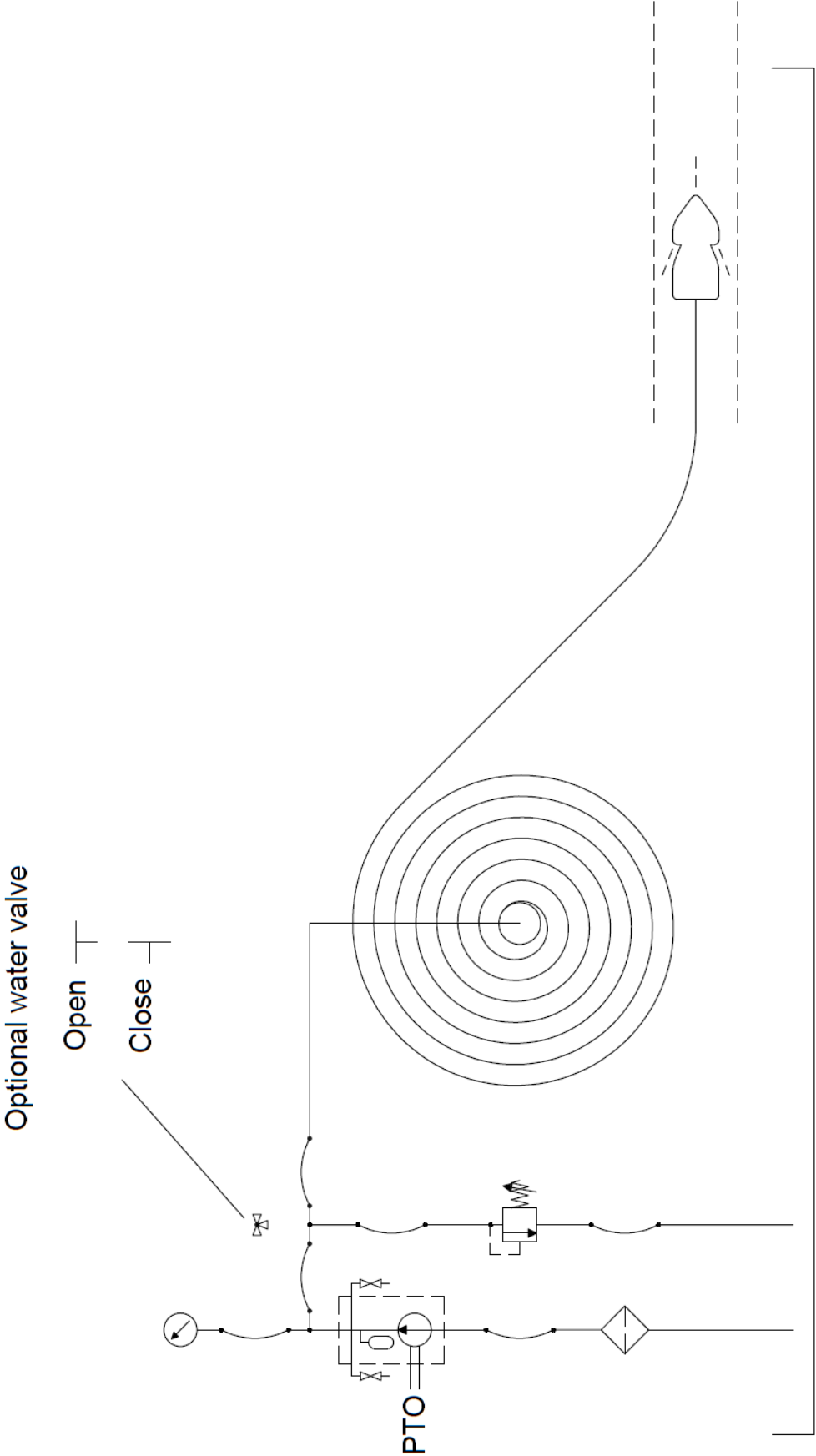
Hydraulic diagram standard machine, 2022-



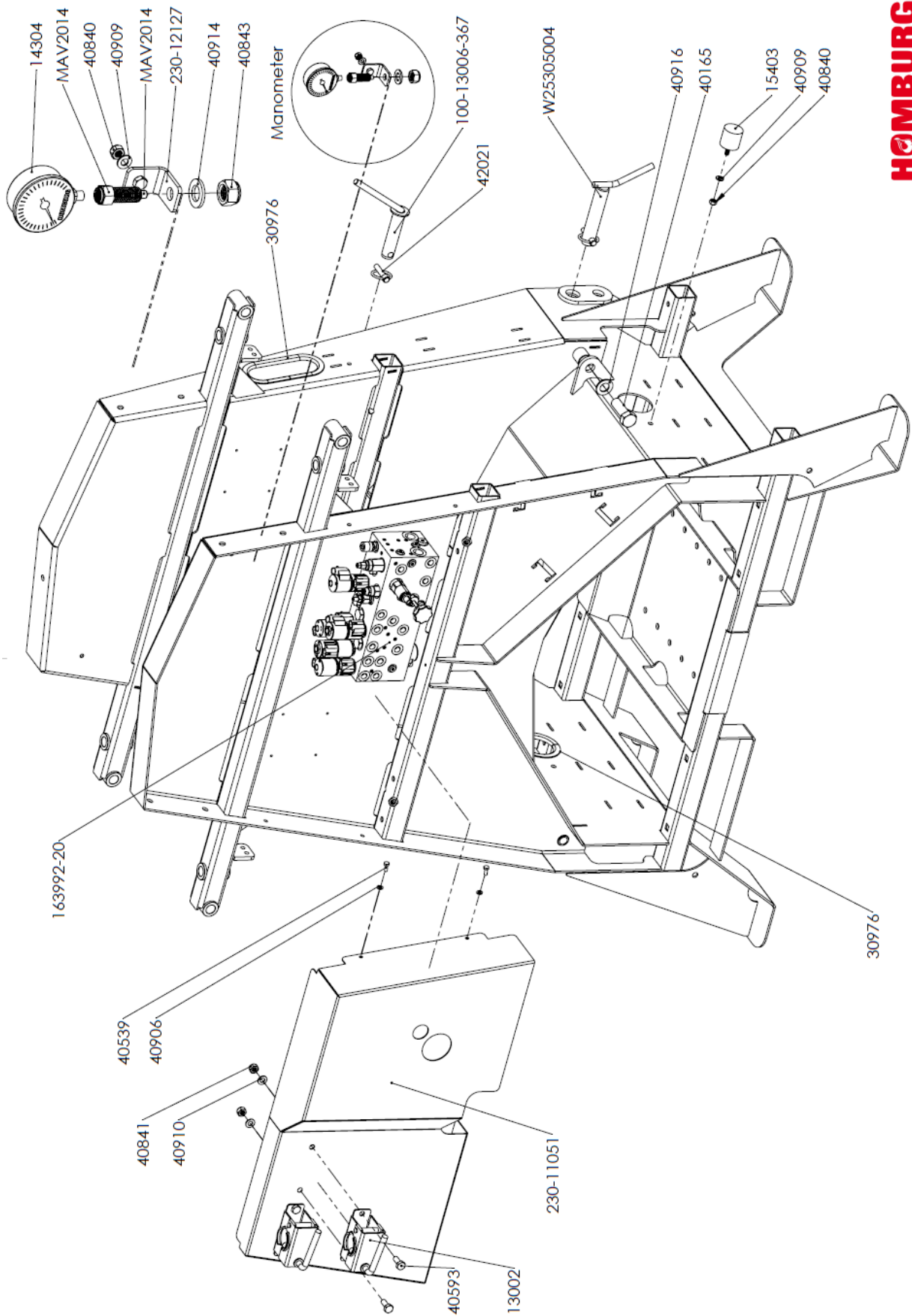
Hydraulic diagram, hydraulic driven water pump



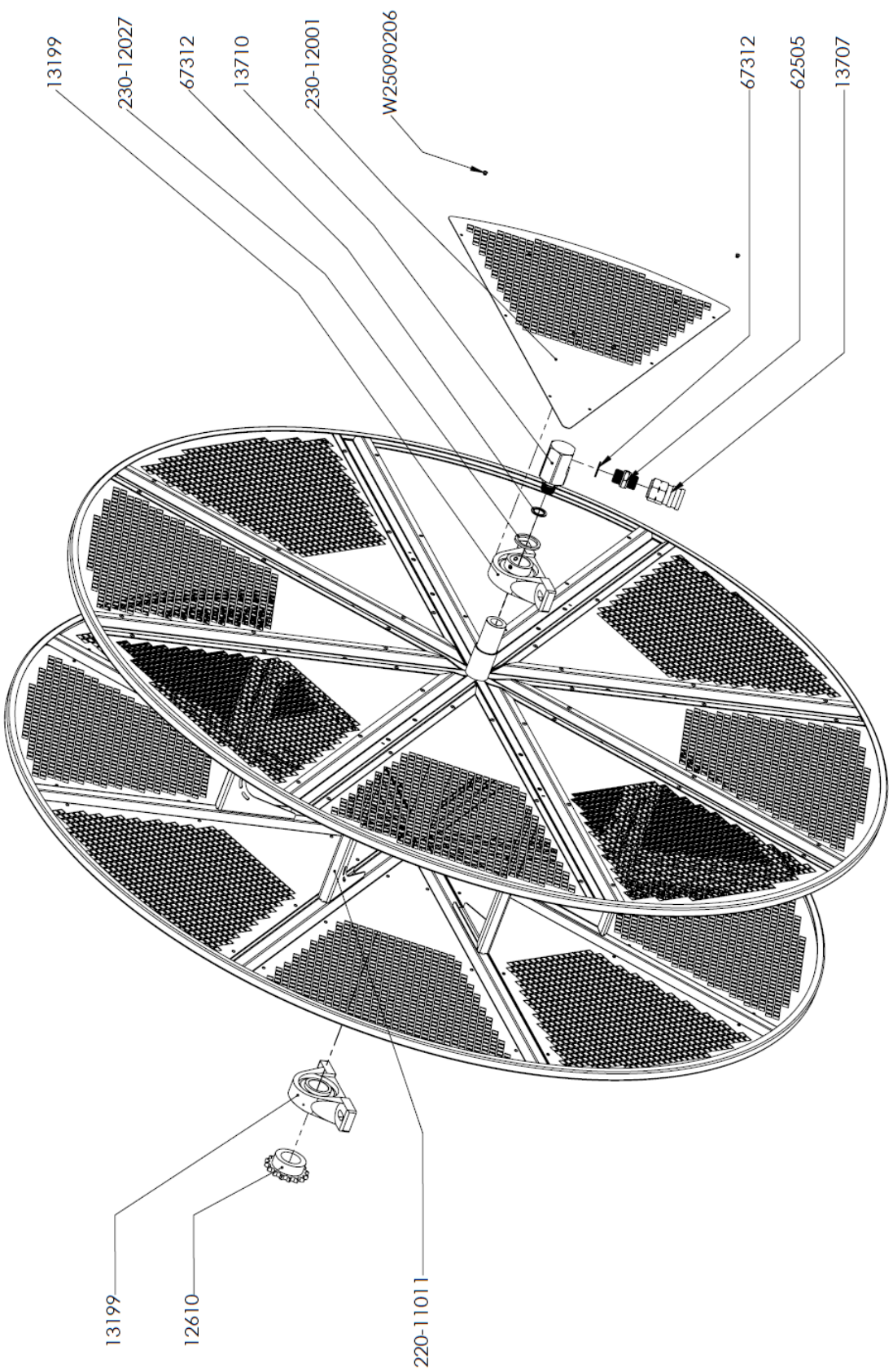
Water diagram standard machine



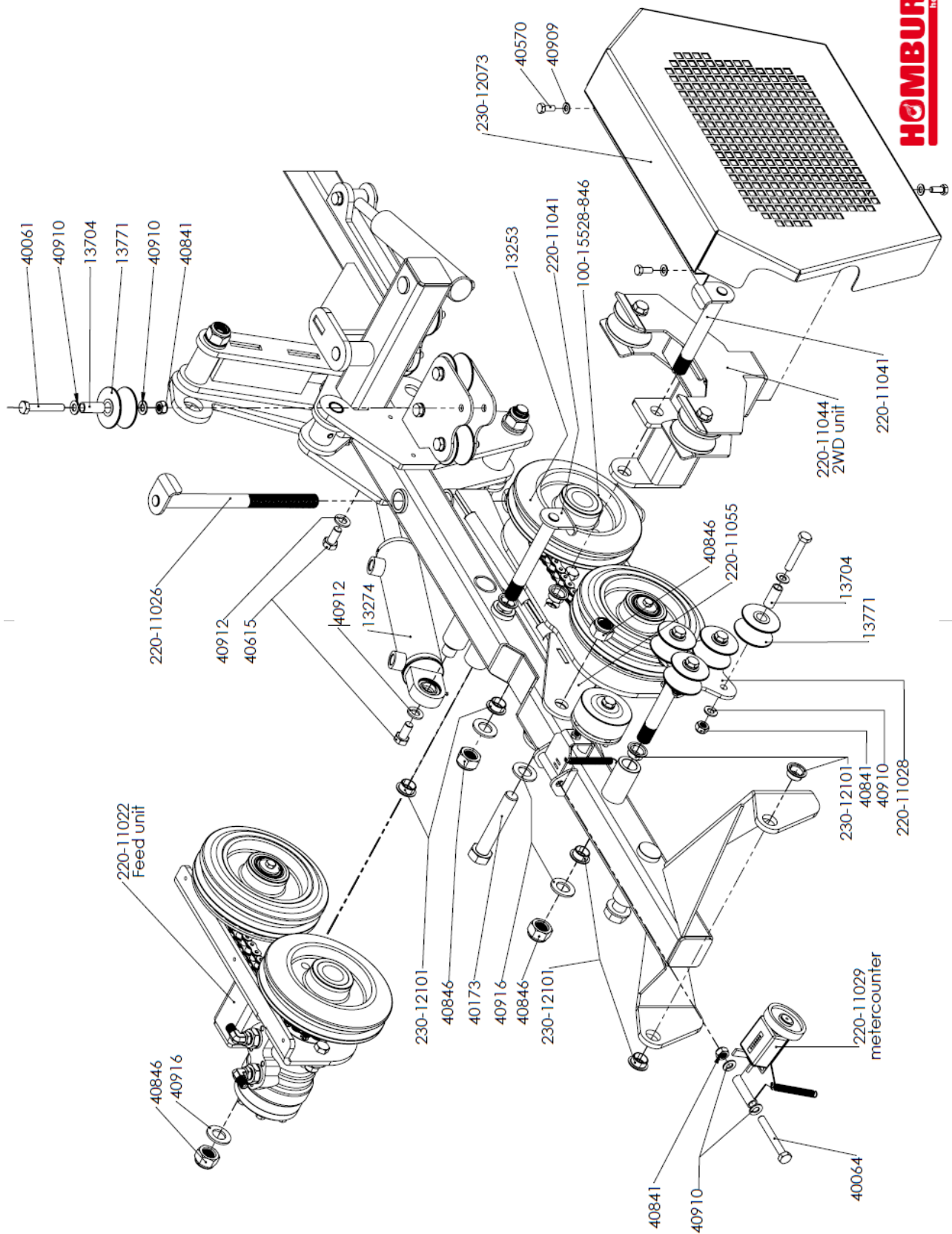
Parts catalogue – Frame



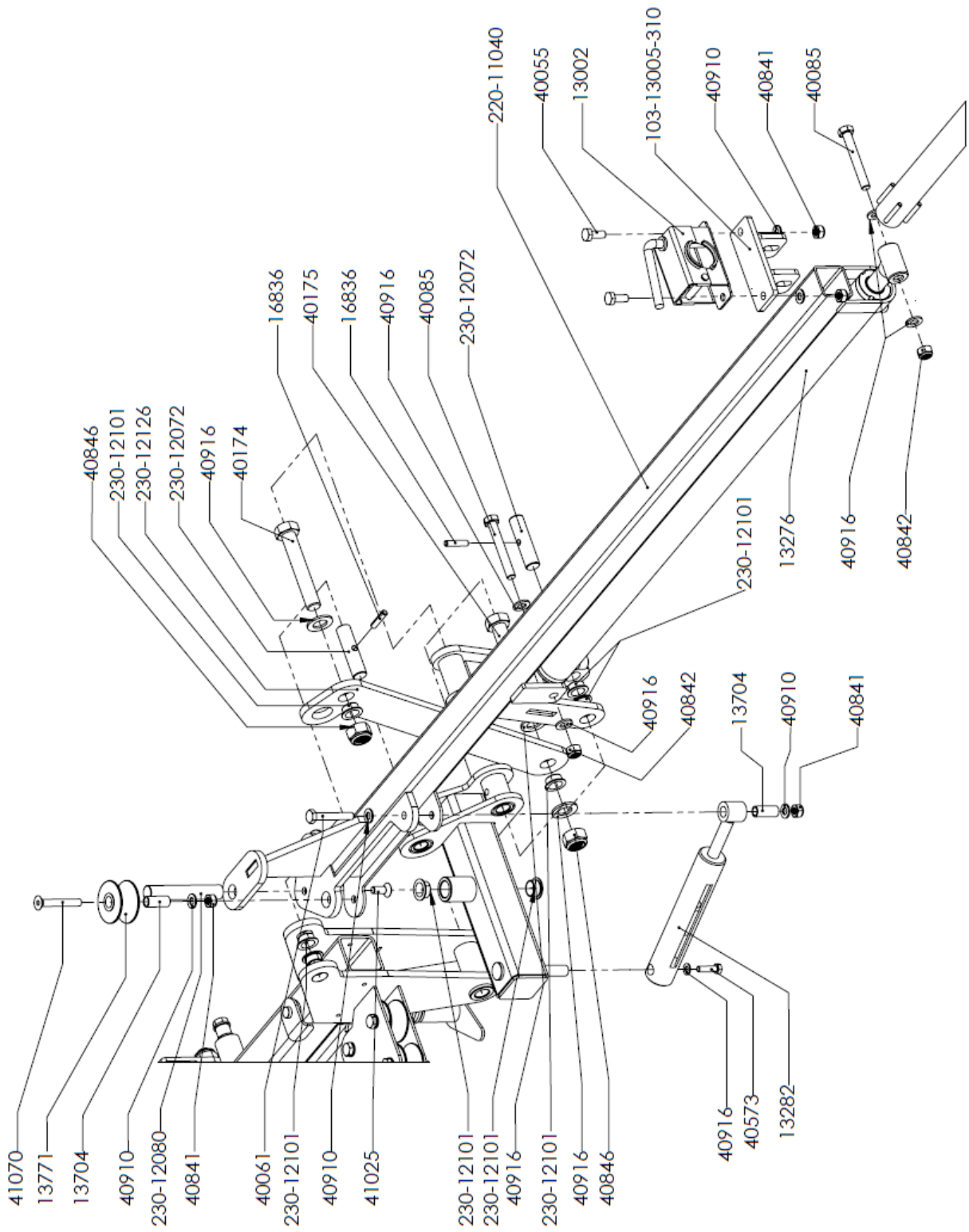
Parts catalogue – Reel



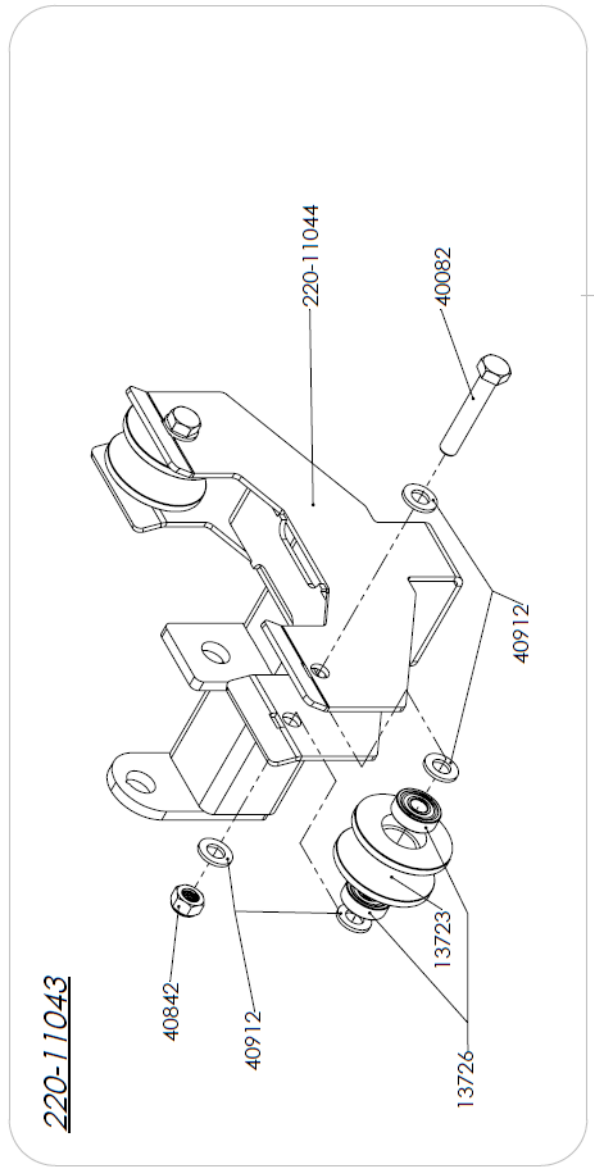
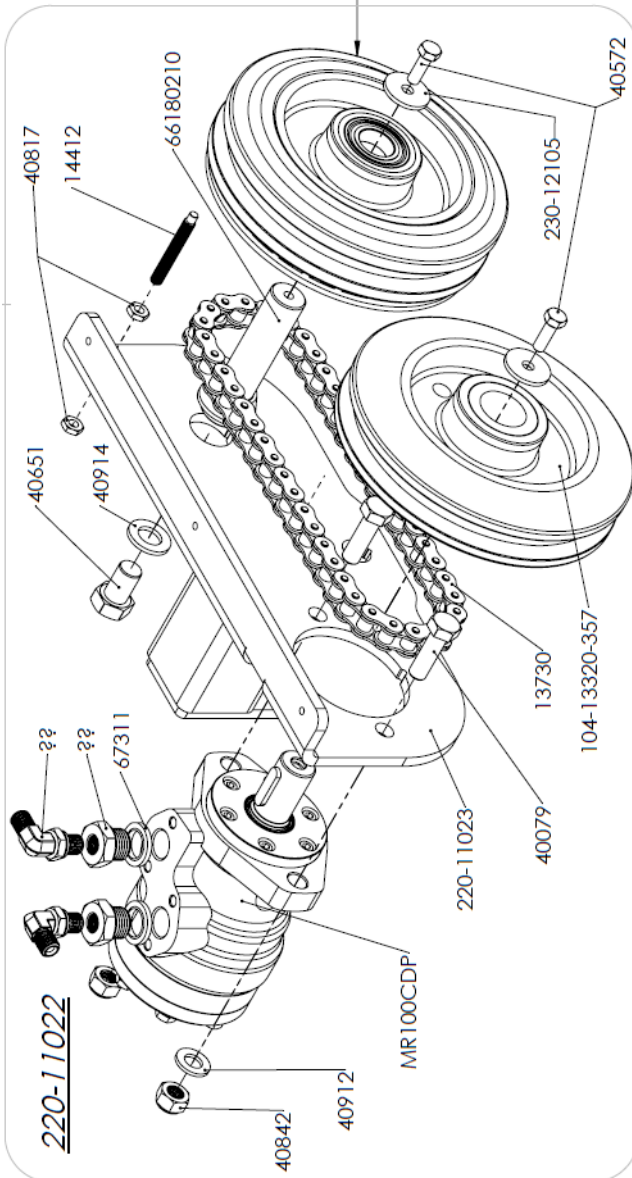
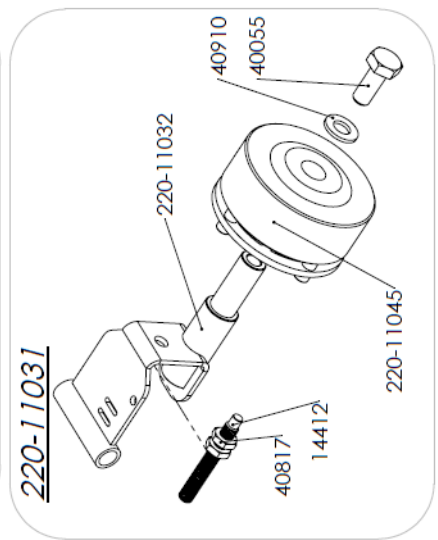
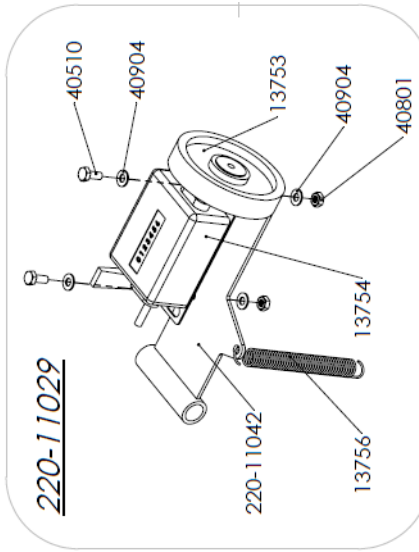
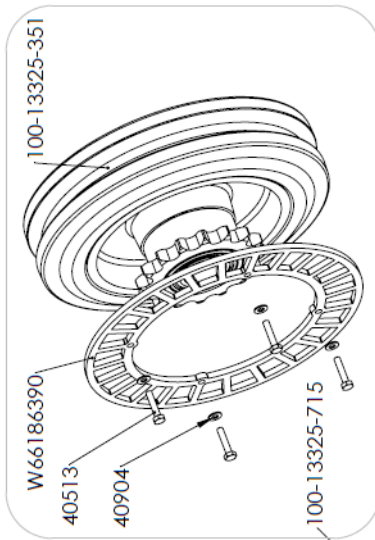
Parts catalogue – Boom part 1



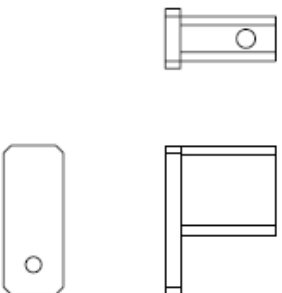
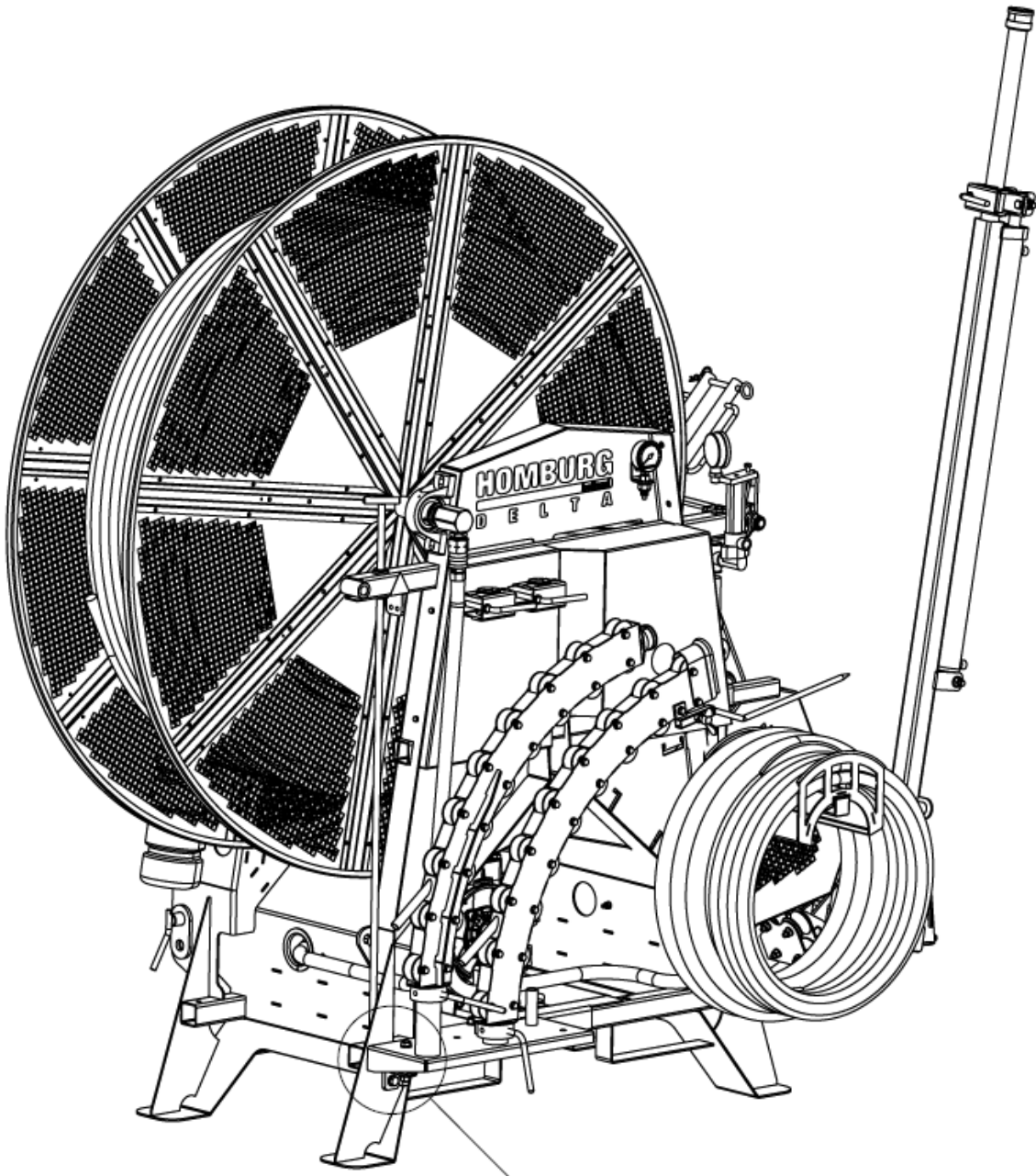
Parts catalogue – Boom part 2



Parts catalogue – Boom Details

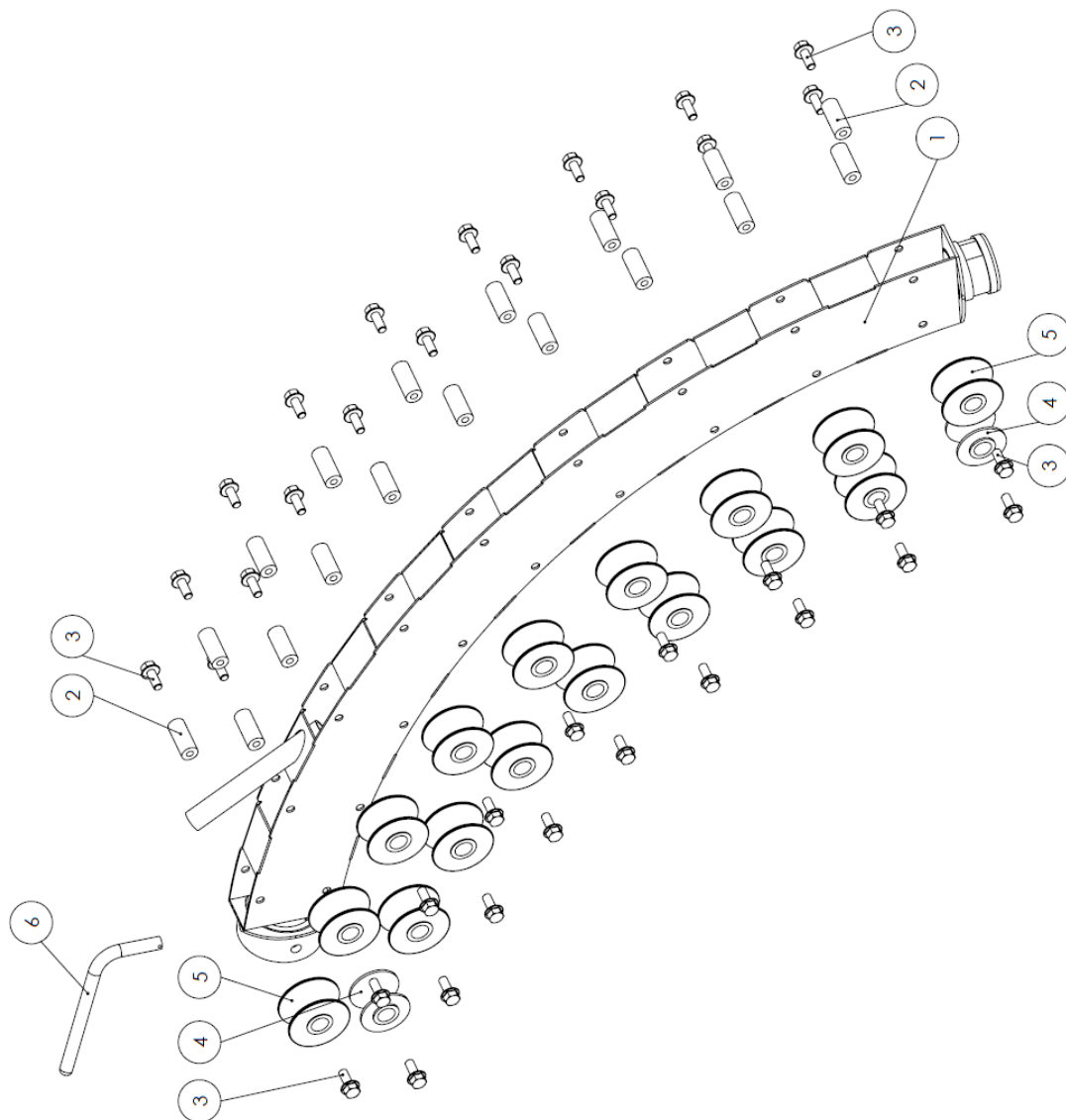


Parts catalogue – 220-11091 - Support bracket



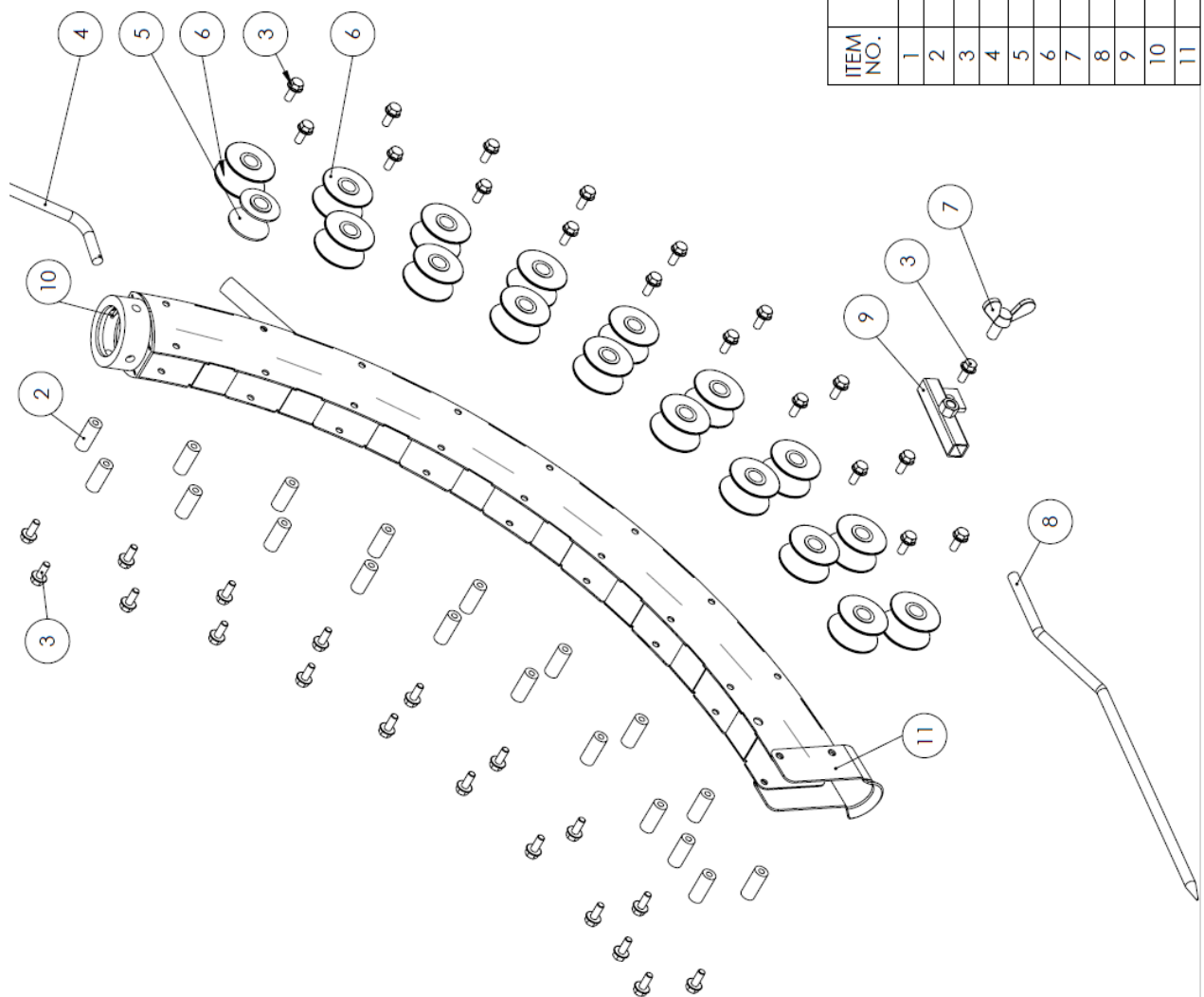
Drill hole
ø10,5 mm

Parts catalogue – Roller Bend part 1



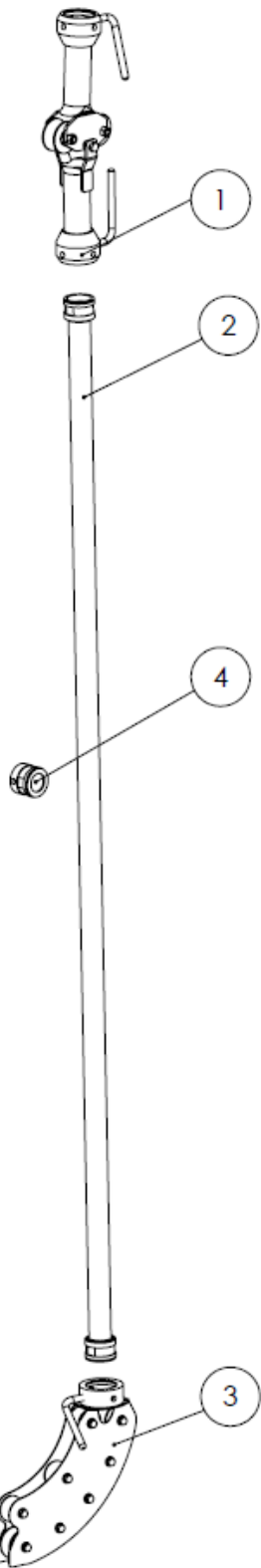
ITEM NO.	SW-File Name (File Name)	DESCRIPTION	QTY.
1	H0005	Lassarm	1
2	H0018	Spacer	18
3	H0019	Zeskantfiensbout M8 x 20 DIN6921 8.8 EV	36
4	H0021	HPE rol ø48	2
5	13771	HPE rol ø60	16
6	H0017	Borgbout	1
7	42520	Spanbus ø3 x 14	1

Parts catalogue – Roller Bend part 2



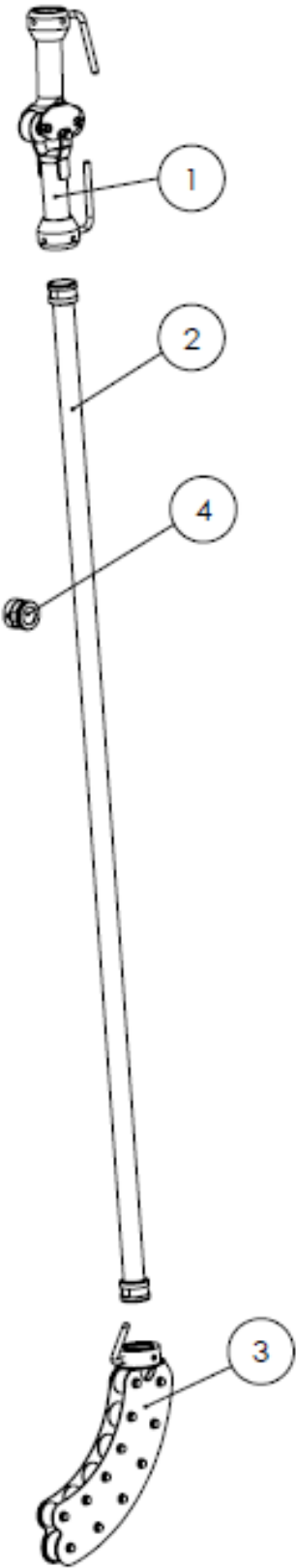
ITEM NO.	SW-File Name (File Name)	DESCRIPTION	QTY.
1	H0004	Lassam	1
2	H0018	Spacer	19
3	H0019	Zeskanfflensbout M8 x 20 DIN6921 8.8 EV	38
4	H0017	Borgbout	1
5	H0021	HPE rol ø48	1
6	13771	HPE rol ø60	17
7	40981	* Vleugelbout M12 x 025	1
8	13095	As 12	1
9	H0027	Klem vastzetpen	1
10	42520	Spanbus ø3 x 14	1
11	H0040	Geleider	1

Parts catalogue – Shaft leading set 30cm



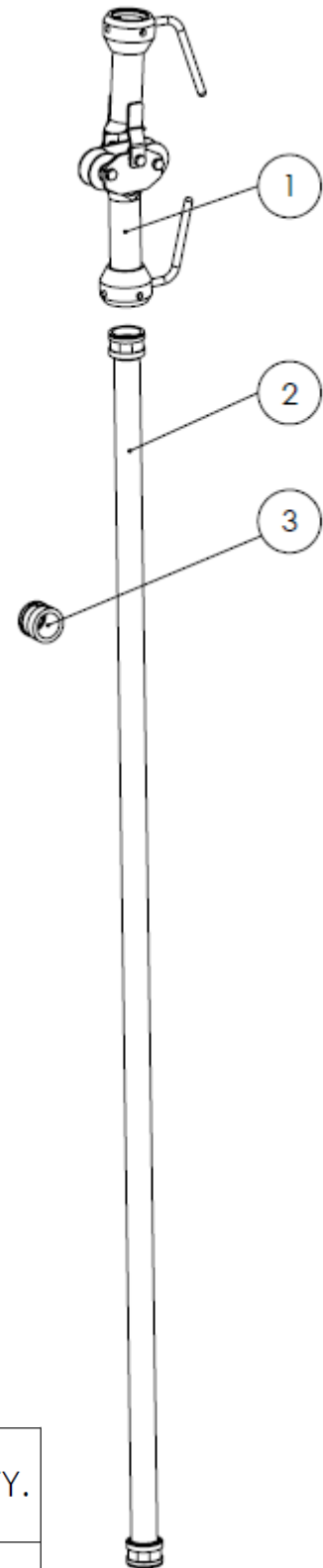
ITEM NO.	SW-File Name (File Name)	DESCRIPTION	QTY.
1	110-H0022-001	Knikgeleiding	1
2	110-H0011-001	Buis rollenbocht	1
3	110-H0036-001	Mounting assy 30cm	1
4	110-H0041-325	Adapter opbergsteun	1

Parts catalogue – Shaft leading set 40cm



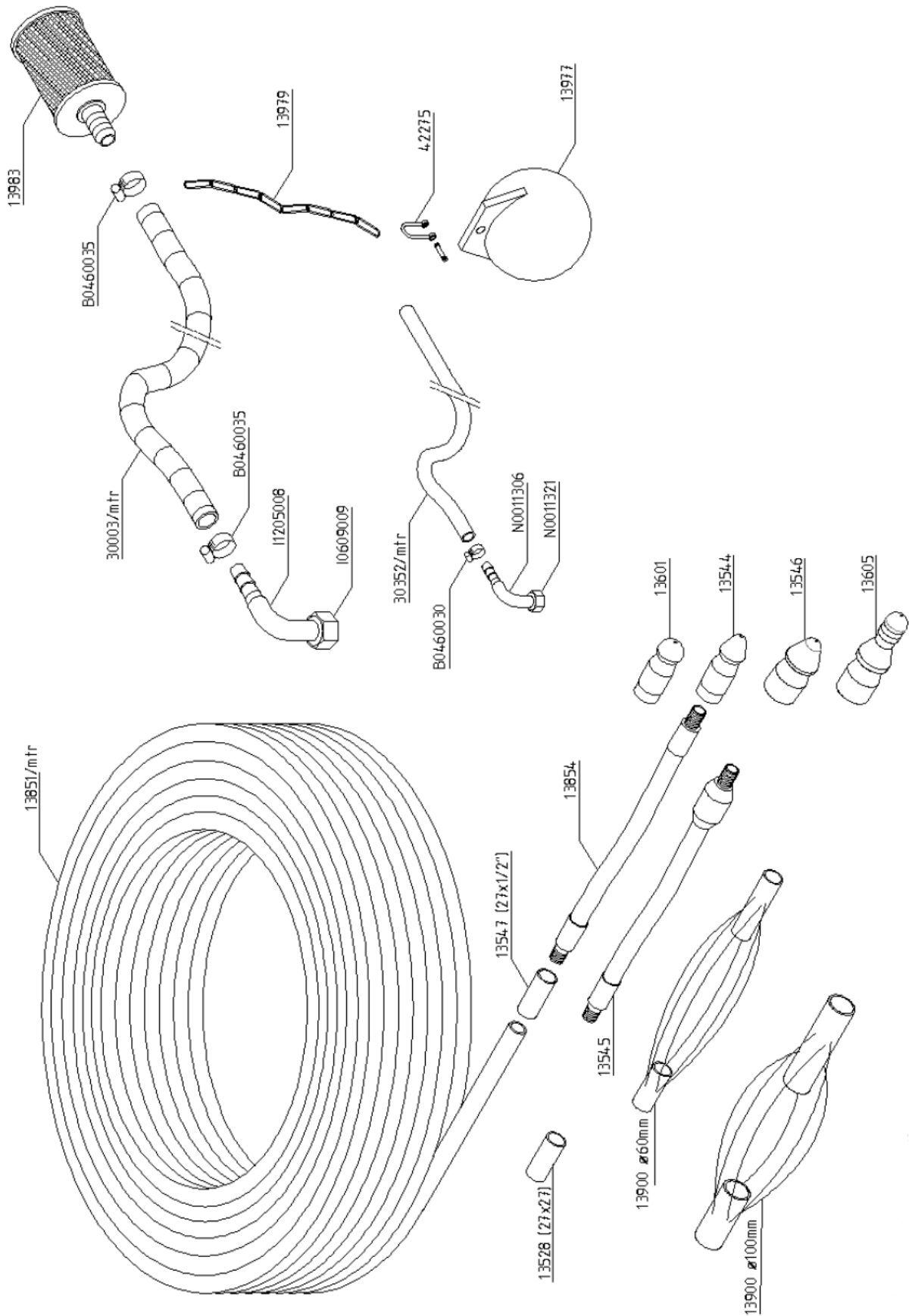
ITEM NO.	SW-File Name (File Name)	DESCRIPTION	QTY.
1	110-H0022-001	Knikgeleiding	1
2	110-H0011-001	Buis rollenbocht	1
3	110-H0035-001	Mounting assy 40cm	1
4	110-H0041-325	Adapter opbergsteun	1

Parts catalogue – Shaft leading set 70cm



ITEM NO.	SW-File Name (File Name)	DESCRIPTION	QTY.
1	110-H0022-001	Knikgeleiding	1
2	110-H0011-001	Buis rollenbocht	1
3	110-H0041-325	Adapter opbergsteun	1

Parts catalogue – Water system parts



Contact information

Homburg Holland

www.homburg-holland.com

info@homburg-holland.com

0031 58 257 1555

Technical service service@homburg-holland.com

Warehouse mag@homburg-holland.com