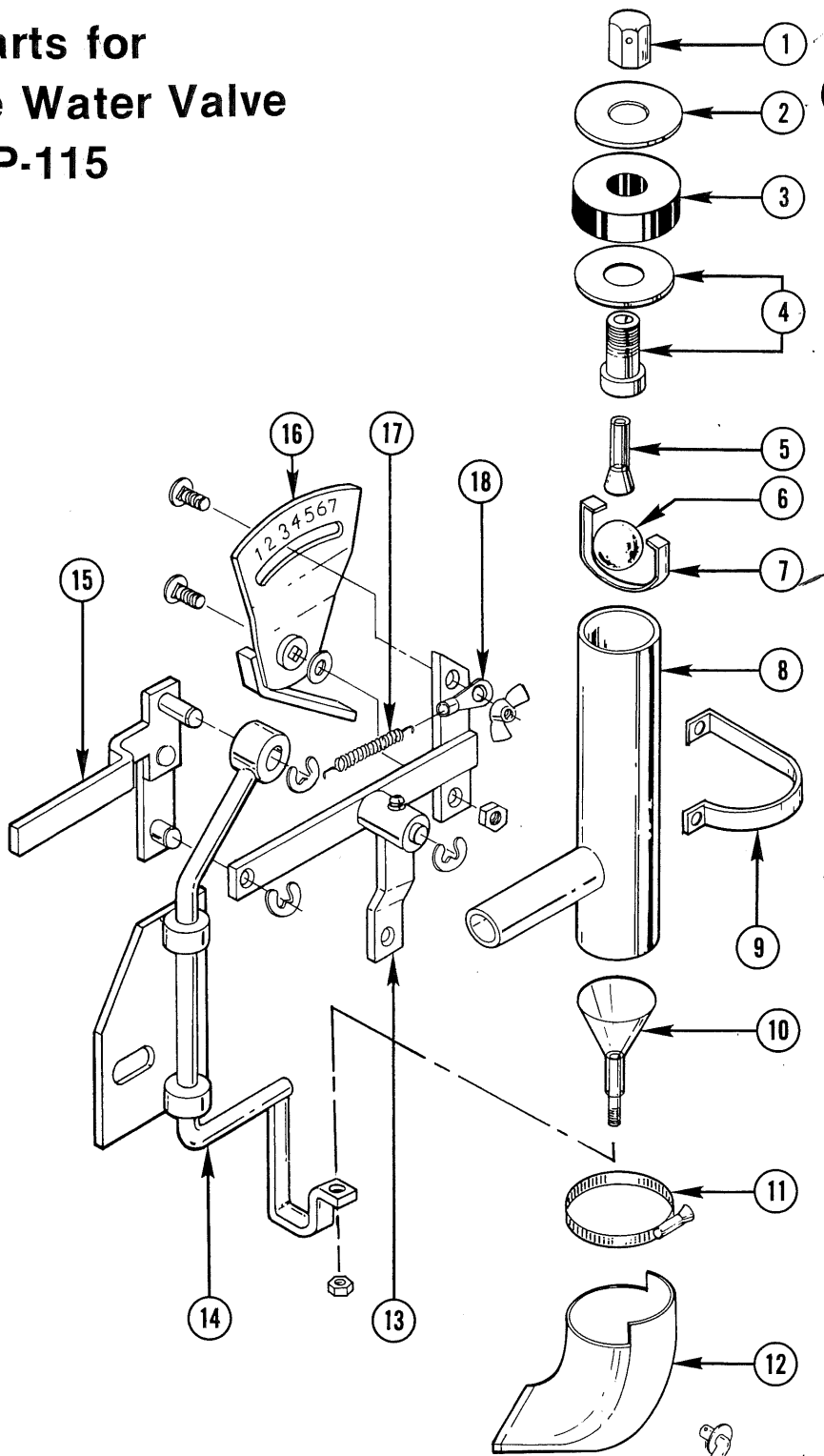


Parts for Start-rite Water Valve P-115

| Ref. No. | Part No. | Description |
|----------|----------|--|
| 1 | P-151 | Hex air vent cap |
| 2 | P-151W | Special cap washer |
| 3 | P-93A | Air valve rubber washer only |
| 4 | P-93 | Air valve seat with both metal and rubber washer (P-93A) |
| 5 | P-92 | Male brass air valve |
| 6 | P-96 | Ball float |
| 7 | P-95 | Brass ball support |
| 8 | P-84 | Water valve reservoir for all models except 1700, 1900, 1100 & 900 |
| | P-84D | Water valve reservoir Model Nos. 900, 1100, 1700, 1900 |
| 9 | P-63 | Valve reservoir clamp |
| 10 | P-94 | Lower rubber valve |
| 11 | P-87 | Clamp for spout |
| 12 | P-86 | Water valve outlet spout |
| 13 | P-148-3 | Rocker arm assembly |
| 14 | P-153-3 | Control rod |
| 15 | P-155-3 | Manual shutoff control |
| 16 | P-147-3 | Dial indicator panel |
| 17 | P-152-3 | Valve spring |
| 18 | P-152A | Spring anchor |

P-150 Dial kit—includes
P-147-3, P-148-3, P-152-3, P-153-3, P-155-3

P-150
Dial kit—includes
P-147-3, P-148-3, P-152-3,
P-153-3, P-155-3



1982 or Serial No. 267601 or lower

| Ref. No. | Part No. | Description |
|----------|----------|----------------------------|
| 19 | P-147 | Dial indicator panel |
| 20 | P-148 | Rocker arm assembly |
| 21 | P-155 | Manual shutoff control |
| 22 | P-153 | Control rod—guide assembly |

