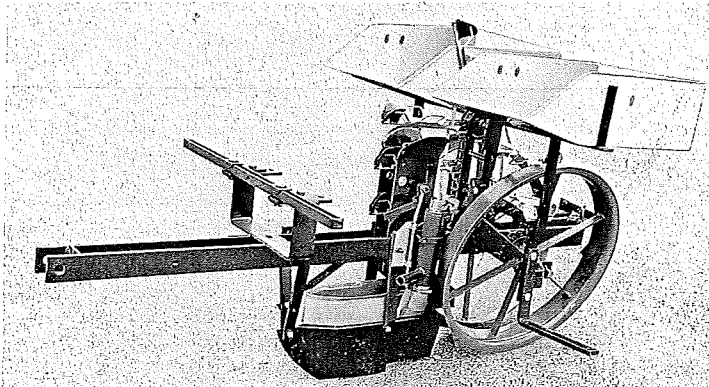


# Holland Transplanter

**Model 1600**

## Assembly & Parts Manual



The Holland Transplanter Model 1600 is designed to give years of trouble-free planting with low maintenance cost. To keep your planter running smoothly we suggest the following.

### Before Operation

1. Grease all fittings to flush out foreign materials.

Grease fittings are found in the following locations:

- 1 - In each packing wheel
- 1 - In each unit upright brace.
- 1 - In upper conveyor pulley (chain style units only)
- 1 - Rocker arm assembly of water valve

2. Trip water valve by hand to determine if it is working freely.

3. On chain style units the plant closing guides can be adjusted to grip seedlings at different times. This allows you to vary the planting speeds. Raising the tops will grip the plants sooner, lowering will grip the plants later. Both tops must be at the same height to insure proper plant holding.

4. The furrow opener can be adjusted up or down, as well as forward and backward. When small plants are being planted, it is recommended the furrow opener be raised. With large plants the opener should be lowered. In dry, loose soil, position the furrow opener back toward the packing wheels. In heavy, moist soil the opener should be moved forward, away from the packing wheels. After adjusting the furrow opener, be sure it is in the center of the opening between the packing wheels so the plant holder travels through the middle of the open furrow.

5. With planting unit in raised position, turn the packing wheels by hand. Allow the drive chains about 1" of slack to insure the packing wheels move freely. If wheels will not turn freely, check the water trip mechanism and the

plant holders to insure they are working freely. Adjust soil scraper (on units equipped with steel packing wheels) so they are not tight against the packing wheel.

6. Check that the planting unit is secured to its mounting brackets and/or hitches by making sure all nuts, bolts, cotter pins, etc. are in place and tight. Also check that the operator's seats are securely fastened to the planting unit.

7. Your unit is designed to operate only in tilled fields. Make sure that the field is worked to a depth that is deeper than the furrow opener you will be using. This insures the planter is riding on

the packing wheels, not the furrow opener, and that the soil will be properly packed around each plant.

8. Review safety warnings on page 2.

### During Operation

1. Place seedlings in the same location of the rubber gripper to insure a uniform planting depth. The depth for setting plants can be regulated by the distance the root extends out of the gripper. For deeper planting, move the plant seedling down in the rubber gripper exposing more roots. For shallower plantings, you can move the plant seedling up in the rubber gripper exposing less roots.

2. Keep furrow opener clean by removing any trash that accumulates on the front, or any soil that builds up on the sides. Failure to keep the opener clean will result in a wider furrow and poor plant coverage and spacing.

3. Do not operate transplanter backwards. This can cause damage to plant holders and plug up the furrow opener with soil.

4. The planting unit frame must run parallel to the ground surface and there must be a minimum of 1" clearance between the unit frame and the frame lifting bar.

### After Operation

1. Drain and clean thoroughly all water barrels, valves and hoses to prevent scale buildup or freezing.

2. Remove rubber grippers from the plant holders and store in a warm area with the grippers in an open position.


3. Remove all soil and debris from unit.


4. Use only Holland Transplanter approved replacement parts when making repairs. They can be obtained from Holland Transplanter Co. or from your authorized Holland Transplanter dealer. Make sure you use only parts for your specific model.





## Safety Warnings


As with most farm machinery, there is an inherent hazard when operating the machinery that cannot be totally eliminated if the product is to perform its intended function. These hazards can cause injuries to the operators. To reduce the risk of injury, follow these safety warnings.


 This symbol is a safety alert symbol and requires your attention. Be alert, your safety is involved. The possibility of a serious bodily injury or death exists. Carefully follow safety measure instructions.


 Check that the planting unit is secure to its mounting brackets and/or hitches by making sure all nuts, bolts, cotter pins, etc. are in place and tight. Also check that the operators seats are securely fastened to the planting unit.


 Only allow adults to operate the transplanter who have been trained in its use and are familiar with how to operate it safely. Never allow children to operate a transplanter.

 Do not ride on transplanter unit when it is in the raised (not planting) position.

 Do not allow anyone who is not operating the planting unit, and who is not properly seated to ride on the planting unit, its carrying toolbar or carrying mainframe.

 Keep loose clothing and hair away from all moving parts including sprockets, chains and plant holders.

 Always place feet on the unit footrest while seated in the operators seat.

 This machine is of customary S.A.E. measurement design. Use only tools of S.A.E. measurement. Metric or other tools that do not fit properly can slip and cause injury.

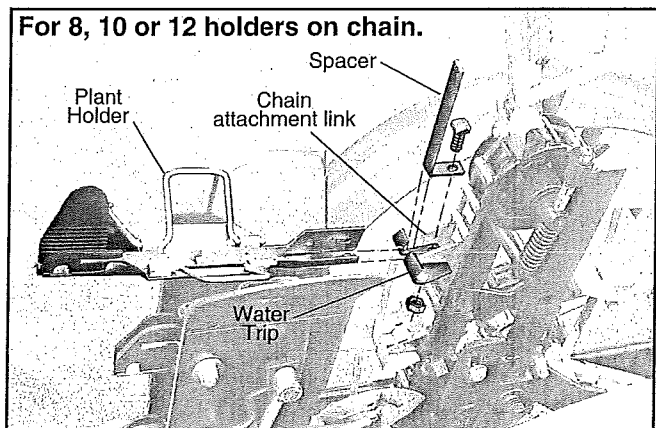
## Assembly Instructions

### 1. Attach the planting unit to hitch or mounting bracket.

This will vary according to what hitch or mounting bracket you are going to use. To attach the planting unit, see the instructions supplied with your hitch or mounting bracket.

### 2. Attach the plant holders to the chain.

To protect the plant holders and minimize shipping carton sizes, some or all of your plant holders may not have been attached to the chain. These plant holders must be attached before your planting unit is operational.

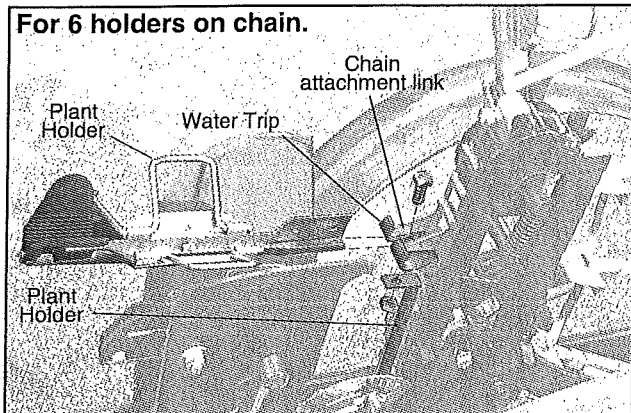


**For 8, 10 or 12 holders on chain.**

For units using either 8, 10 or 12 plant holders on the chain, place the 5/16" x 3/4" square head bolt through the spacer and the plant holder. Then fit the plant holder into the chain attachment link. The water trip goes on the back side of the chain attachment link, with the curved cams surrounding the plant holder. Secure with the 5/16" hex nut (see illustration). Make sure the plant holder is perpendicular to the chain before tightening. The water trip is not necessary for planting units that do not have a water valve attachment. Adjust upper conveyor pulley by tightening or loosening the pulley bolts to make plant holders travel through center of closing guides. To avoid damage, never run plant holders through the guides in the reverse direction.

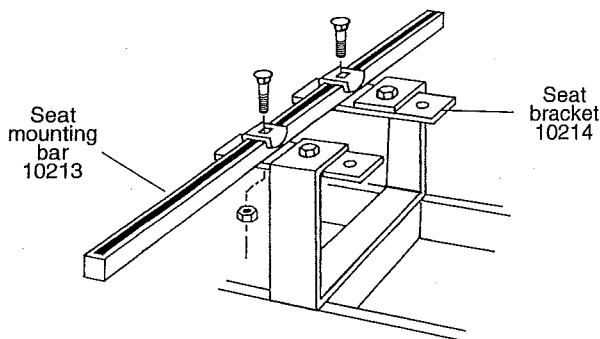
**For units using 6 plant holders on the chain,** place the 5/16" x 3/4" square head bolt through the plant holder fitting the holder into the chain attachment link. The water trip goes on the back side of the chain attachment link, with the curved cams surrounding the plant holder. The spacer is attached to the back side of the water trip.

### For 6 holders on chain.



Secure with the 5/16" nut (see illustration). Make sure the plant holder is perpendicular to the chain before tightening. The water trip is not necessary for planting units that do not have a water valve attachment. Adjust upper conveyor pulley by tightening or loosening the pulley bolts to make plant holders travel through center of closing guides. To avoid damage, never run plant holders through the guides in reverse direction.

### 3. Attach seats to planting unit.



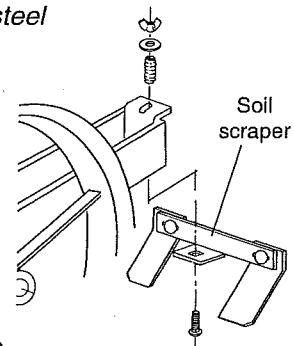
Attach the seat mounting bar (10213) to the seat bracket (10214) as shown. Secure with the 1/2" x 2" carriage bolts, bent seat washers and 1/2" nuts. The seat bracket can be adjusted forward or backward on the unit frame for maximum operator comfort. Attach the seats to the mounting bar as per the instructions supplied with the specific type of seats you purchased. Make sure all bolts and nuts are securely fastened before allowing anyone to sit on the transplanter.

### 4. Attach the water hose (for planting units using a water valve)

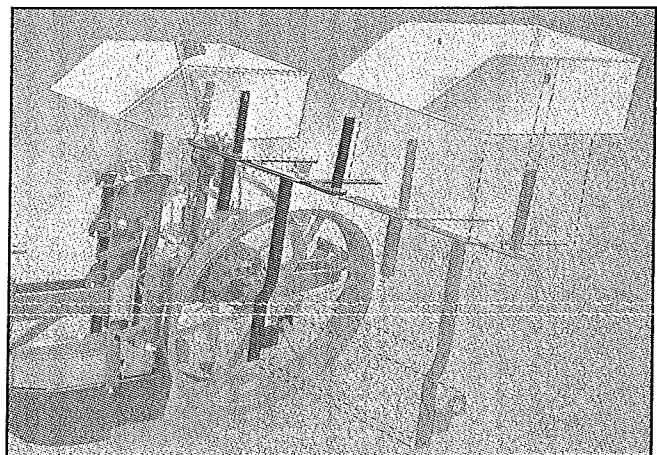
Attach the water hose from the water barrel to the end of the pipe located at the bottom of the valve. Place the hose end at least 1" onto the pipe and secure with the hose clamp. To allow a free flow of water, make sure the hose is not pinched anywhere between the valve and the water barrel.

### 5. Attach the soil scraper (for planting units using steel packing wheels)

Place the soil scraper on the frame at the rear of the planting unit. The blades should be pointed down with the cutouts on the blade aligning with the curved flange of the packing wheel (see illustration). Keep the soil scraper loose and flexible against the packing wheels, do not over tighten the soil scraper bolt. A tight soil scraper will bind against the packing wheels making them slide along the ground.

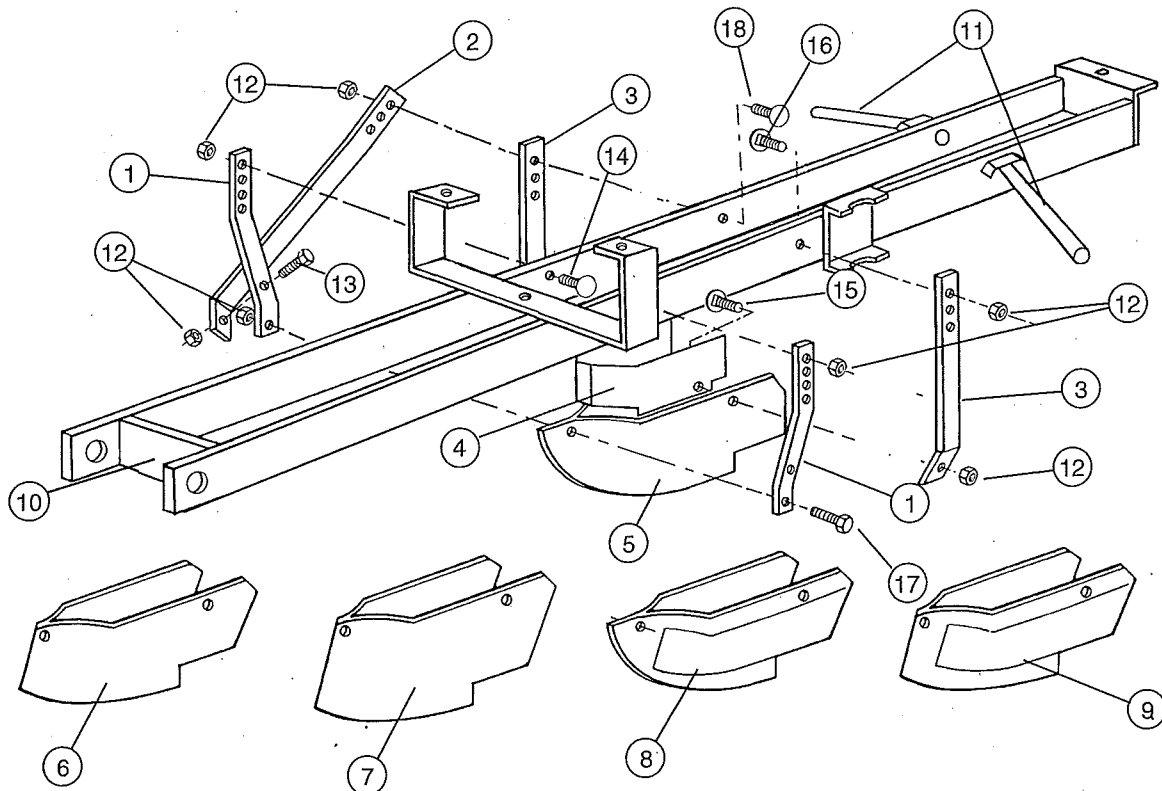


### 6. Attach the plant holding boxes.



Remove the center 7/16 x 5-1/2" bolt. Leave the upright spacer between the upright brackets. Place plant box mounting stands over the packing wheel axles (see illustration) and reinsert the spacer bolt to hold the stands against the uprights. The plant holding boxes can be slid into the stands. They are held in place by the notches in the box. Attach foot rests to bottom of plant box stands.

# Transplanter Frame and Furrow Openers

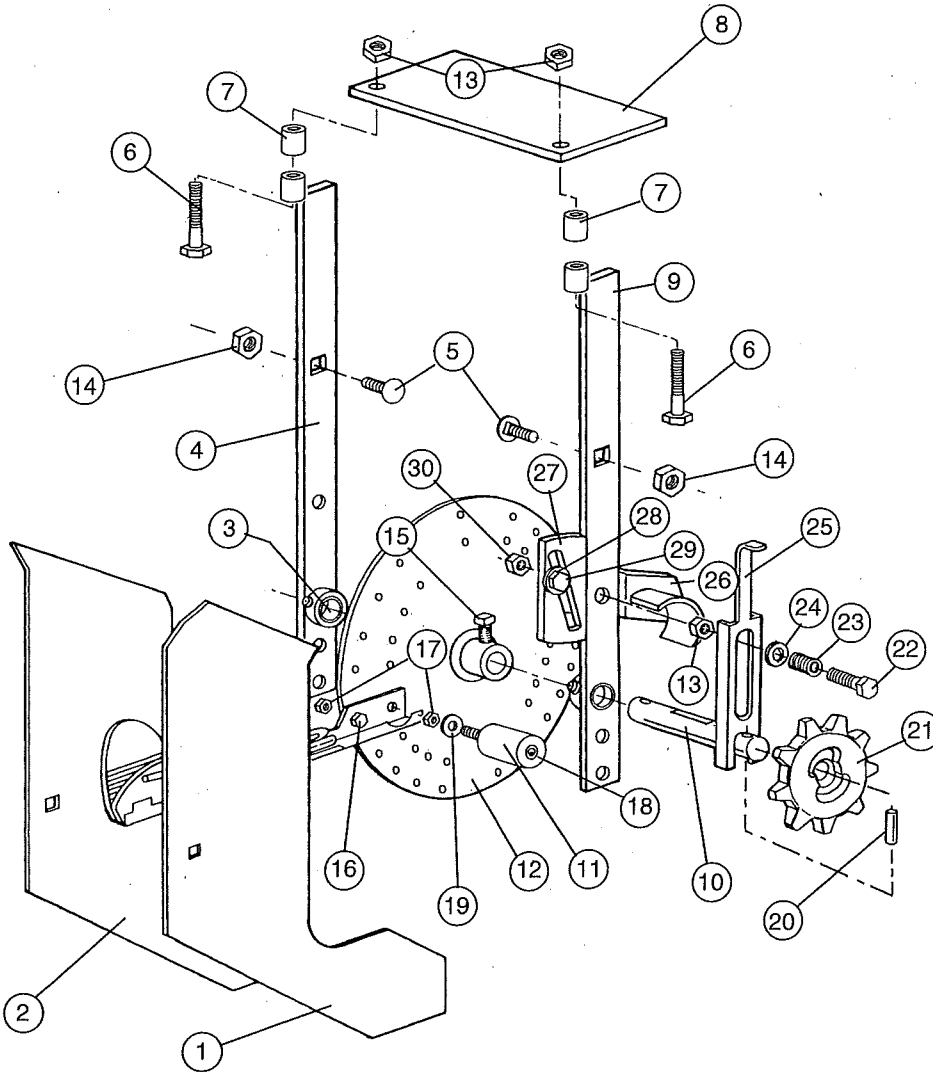


Ref #	Part #	Description
1	10203	Brace, front furrow opener
2	10205	Brace, diagonal furrow opener
3	10206	Brace, rear furrow opener
4	10207	Shield, furrow opener galvanized
5	10208	Opener, round point 7" furrow
6	10209	Opener, blunt point 7" furrow
7	10210	Opener, blunt point 10" furrow
8	10211	Opener, polymer coated round point 7" furrow
9	10212	Opener, polymer coated blunt point 7" furrow

Ref #	Part #	Description
10	10068	Frame, unit
11	10357	Axle, packing wheel
12	1480005	Nut, 3/8 hex
13	1280003	Bolt, 3/8 x 1-1/4" HHCS
14	1380005	Bolt, 3/8 x 1-1/4" carriage
15	1380003	Bolt, 3/8 x 1" carriage
16	1380008	Bolt, 3/8 x 1-1/2" carriage
17	1280032	Bolt, 3/8 x 1-1/2" HHCS
18	1380007	Bolt, 3/8 x 2" carriage

# Disc Plant Holder Arrangement

For plant spacings greater than 3"

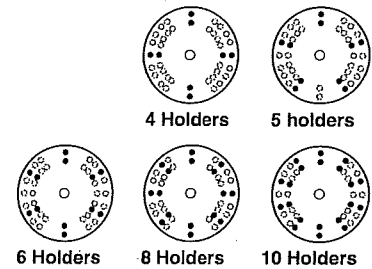


Plant Spacing						
	Number of teeth on drive shaft spacing sprocket					
	6	7	8	9	10	11
4	12" 31cm	14" 36cm	16" 41cm	18" 46cm	20" 56cm	22" 56cm
5	11" 28cm	12" 31cm	13" 33cm	14" 36cm	16" 41cm	18" 46cm
6	10" 25cm	11" 28cm	12" 31cm	13.5" 34cm	15" 38cm	16.5" 42cm
8	6" 15cm	7" 18cm	8" 20cm	9" 23cm	10" 25cm	11" 28cm
10	5.5" 14cm	6" 15cm	6.5" 17cm	7" 18cm	8" 20cm	9" 23cm
12	5" 13cm	5.5" 14cm	6" 15cm	7" 18cm	7.5" 19cm	8" 21cm
16	3" 8cm	3.5" 9cm	4" 10cm	4.5" 11cm	5" 13cm	5.5" 14cm
20			3" 8cm	3.5" 9cm	4" 10cm	4.5" 11cm

↑ Number of plant holders on disc.

Note: Reference guide only; actual plant spacing may vary. Adjust as needed.

Part # 10396  
Adaptable to  
different number  
of plant holders

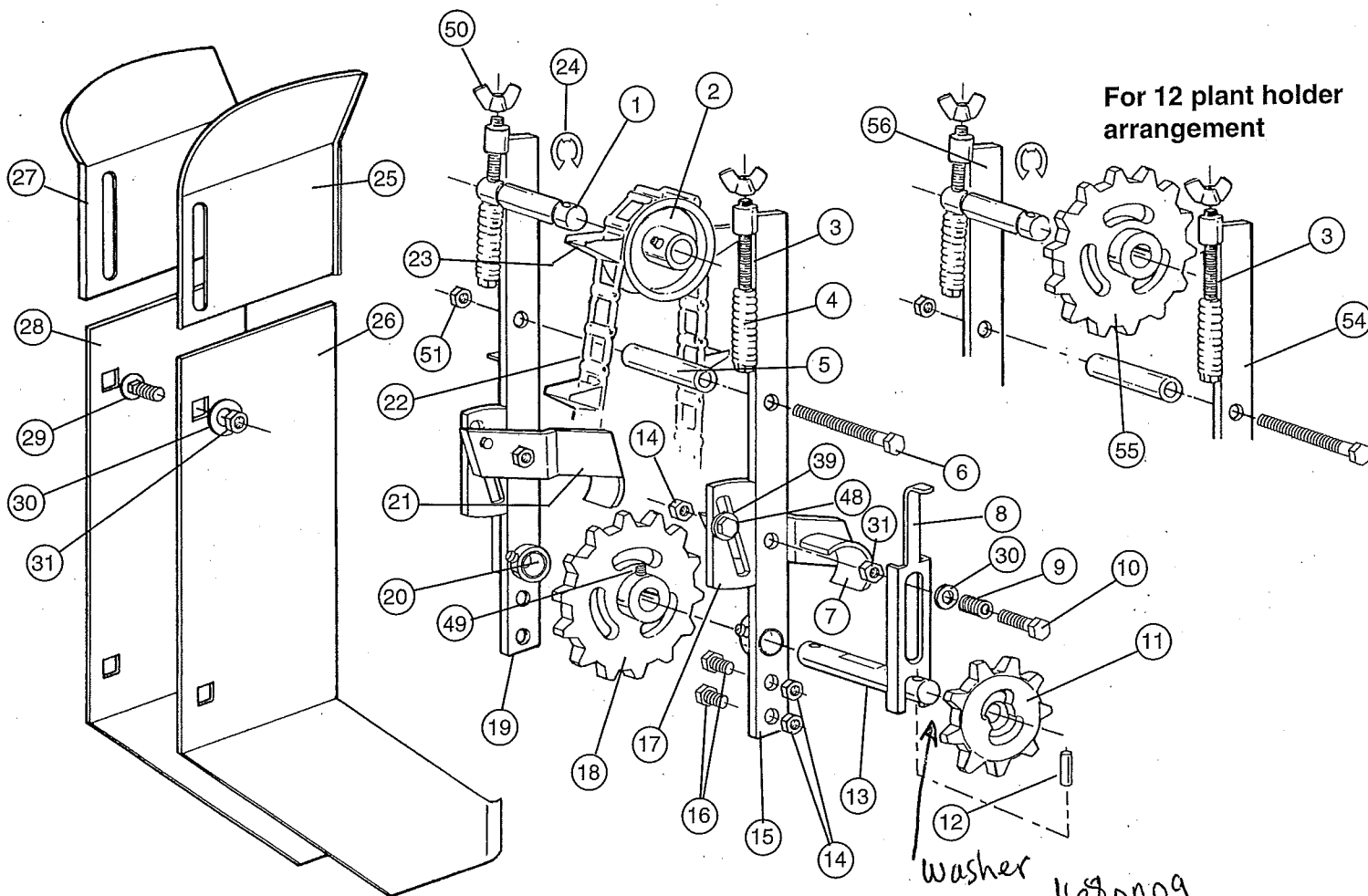


Ref#	Part #	Description
1	10003	Guide, left disc closing rod
2	10004	Guide, right disc closing rod
3	10002	Bushing, upright brace
4	10363	Brace, right upright (includes Ref # 3)
5	1380012	Bolt, 7/16 x 1-1/4 carriage
6	1280003	Bolt, 3/8 x 1-1/4 HHCS
	1280012	Bolt, 3/8 x 5 HHCS
	1280089	Bolt, 3/8 x 3 HHCS
7	10009	Tube, top plate spacer (1-1/2 long)
	10070	Tube, top plate spacer (3-1/2 long)
8	10010	Plate, upright top
9	10364	Brace, left upright (includes Ref No. 3)
10	10347	Shaft, lower conveyor sprocket drive
11	10051	Trip, water roller complete w/hardware. (includes Ref. # 11, 17, 18, 19)
12	10396	Disc, for 4-10 plant holder (includes Ref # 15)
	10397	Disc, for 12 plant holders (includes Ref # 15)
	10399	Disc, for 16 plant holders (includes Ref # 15)
	10398	Disc, for 20 plant holders (includes Ref # 15)
13	1480005	Nut, 3/8 hex
14	1480013	Nut, 7/16 hex
15	1780010	Screw, 3/8 x 3/4 sq hd set
16	1280021	Bolt, 1/4 x 5/8 HHCS

Ref#	Part #	Description
17	1480004	Nut, 1/4 hex
18	1780011	Screw, 1/4 x 1-1/2 soc set
19	1180002	Washer, 1/4 flat
20	10386	Pin, spacing sprocket drive
21	10380	Sprocket, 6 tooth spacing
	10381	Sprocket, 7 tooth spacing
	10382	Sprocket, 8 tooth spacing
	10383	Sprocket, 9 tooth spacing
	10384	Sprocket, 10 tooth spacing
	10385	Sprocket, 11 tooth spacing
22	1280084	Bolt, 3/8 x 2 tap
23	10081	Spring, spacer tension
24	1180004	Washer, 3/8 flat
25	10177	Spacer, sprocket channel
26	10176	Tightener, left side chain
27	10173	Bar, chain tightener adjustment
28	1180003	Washer, 5/16 flat
29	1280038	Bolt, 5/16 x 3/4 HHCS
30	1480012	Nut, 3/8 lock
	10041	Tightener, left complete (includes Ref # 13, 22 - 30)
	10042	Tightener, right complete (not shown)

# Chain Plant Holder Arrangement

For plant spacing 10-1/2" and more.



For 12 plant holder arrangement

Washer 1680009

Ref #	Part #	Description
1	10050	Shaft, upper conveyor pulley
2	10051	Pulley, upper conveyor
	10379	Pulley, upper conveyor assy cpte. w/shaft (includes Ref # 1, 2 & 24)
3	1280012	Bolt, 3/8 x 5 tap (for 10377 & 10022 chain)
	1280035	Bolt, 3/8 x 6 tap (for 10388 & 10390 chain)
4	10376	Spring, conveyor pulley tension
5	10134	Spacer, upright tube
6	1280031	Bolt, 7/16 x 5-1/2 HHCS
7	10176	Tightener, left side chain
	10226	Tightener, left complete (includes Ref # 7-10, 14, 17, 30, 31, 39 & 48)
8	10177	Spacer, sprocket channel
9	10081	Spring, spacer tension
10	1280037	Bolt, 3/8 x 2-1/4 tap
11	10380	Sprocket, 6 tooth spacing
	10381	Sprocket, 7 tooth spacing
	10382	Sprocket, 8 tooth spacing
	10383	Sprocket, 9 tooth spacing
	10384	Sprocket, 10 tooth spacing
	10385	Sprocket, 11 tooth spacing
12	10386	Pin, spacing sprocket drive

Ref #	Part #	Description
13	10347	Shaft, lower conveyor sprocket drive
14	1480012	Nut, 3/8 lock
15	10364	Brace, left upright (includes Ref # 20)
16	1280003	Bolt, 3/8 x 1-1/4 HHCS
17	10173	Bar, chain tightener adjustment
18	10355	Sprocket, lower conveyor (includes Ref # 49)
19	10363	Brace, right upright (includes Ref # 20)
20	10002	Bushing, upright brace
21	10175	Tightener, right side chain
	10227	Tightener, right complete (includes Ref # 8-10, 14, 17, 21, 30, 31, 39 & 48)
22	10377	Chain, 8 holder attachment
	10388	Chain, 10 holder attachment
	10390	Chain, 6 holder attachment
	10022	Chain, 12 holder attachment
23	10374	Link, chain holder attachment
24	10053	Ring, upper pulley retaining
25	10077	Guide, left chain closing rod top
26	10078	Guide, left chain closing rod bottom
27	10076	Guide, right chain closing rod top

## Plant Spacing

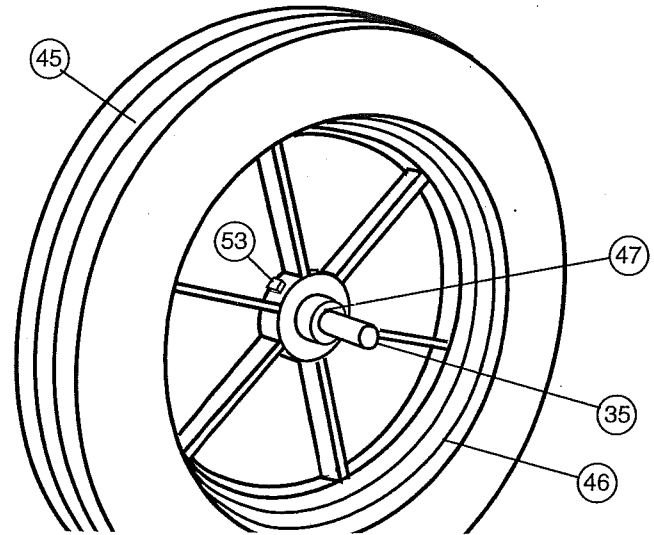
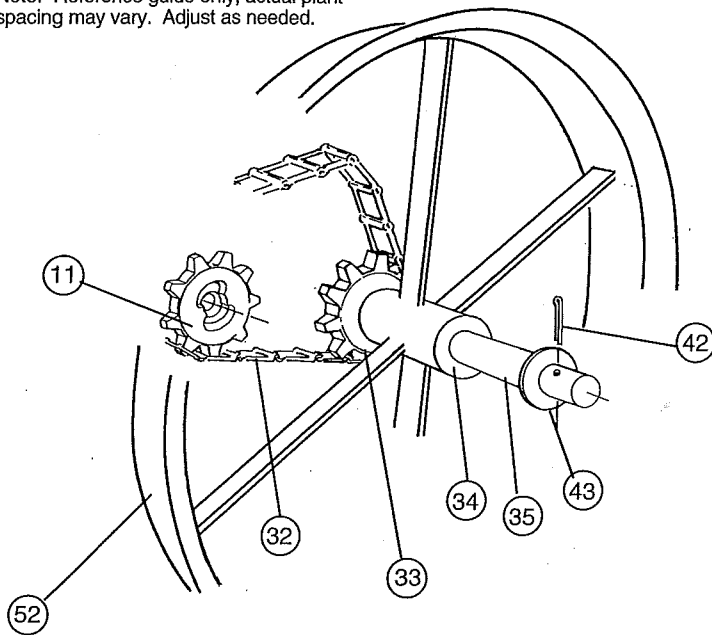
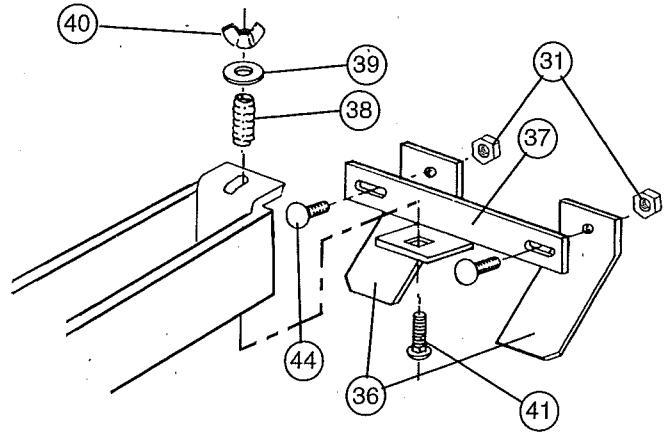
### Chain Arrangement

	Number of teeth on drive shaft spacing sprocket					
	6	7	8	9	10	11
2	56" 142cm	64" 163cm	72" 183cm	80" 203cm	88" 224cm	96" 244cm
4	28" 71cm	32" 81cm	36" 91cm	40" 102cm	44" 112cm	48" 122cm
5	20" 51cm	24" 61cm	28" 71cm	32" 81cm	36" 91cm	40" 102cm
6	18" 46cm	20" 51cm	22" 56cm	24" 61cm	26" 66cm	28" 71cm
8	14" 36cm	16" 41cm	18" 46cm	20" 51cm	22" 56cm	24" 61cm
10	10.5" 27cm	12" 31cm	14" 36cm	16" 41cm	18" 46cm	20" 51cm
12	10.5" 27cm	12" 31cm	14" 36cm	16" 41cm	18" 46cm	20" 51cm

↑ Number of plant holders on chain

Note: Reference guide only; actual plant spacing may vary. Adjust as needed.

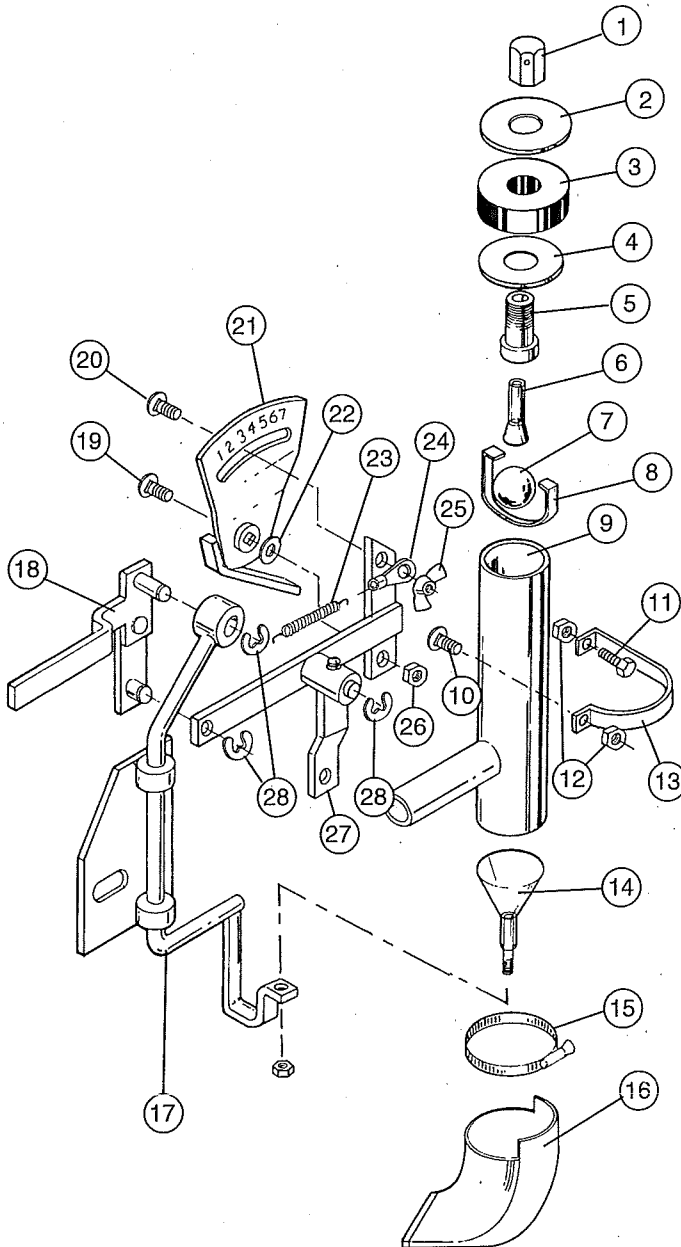
## Packing Wheels and Soil Scraper



Ref#	Part #	Description
28	10079	Guide, right chain closing rod bottom
	10224	Guide, complete left chain closing rod (includes Ref # 25, 26, 29-31)
	10225	Guide, complete right chain closing rod (includes Ref # 27-31)
29	1380010	Bolt, 3/8 x 3/4 carriage
30	1180004	Washer, 3/8 flat
31	1480005	Nut, 3/8 hex
32	10365	Chain, pack wheel drive
33	10344	Sprocket, pack wheel drive
34	10138	Bushing, packing wheel
35	10357	Axle, packing wheel
36	10083	Blades, pack wheel scraper (pair)
37	10084	Crossbar, pack wheel scraper blade
38	10049	Spring, pack wheel adjustment
39	1180003	Washer, 5/16 flat
40	1480017	Nut, 5/16 wing
41	1380001	Bolt, 5/16 x 2-1/2 carriage
42	1880004	Cotter, 1/4 x 1-1/4

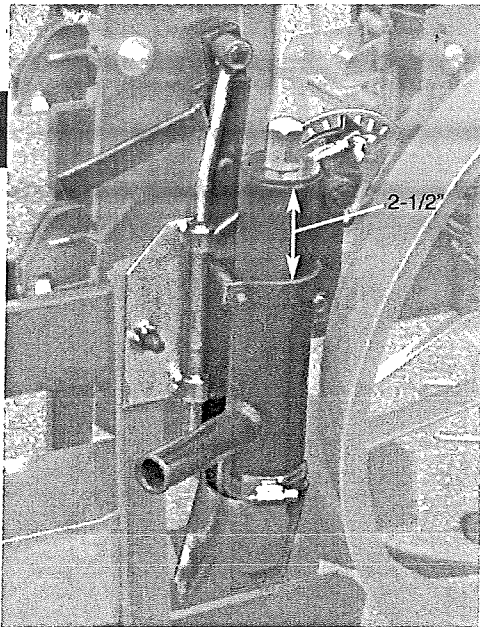
Ref#	Part #	Description
43	1680005	Bushing, 7/8
44	1380010	Bolt, 3/8 x 3/4 carriage
	10082	Complete scraper assembly, (includes Ref # 31, 36 - 41 & 44)
45	10228	Tire, rubber packing wheel
46	10229	Wheel, rubber pack
47	10230	Hub, rubber packing wheel (includes Ref # 33, 34 & 53)
	10231	Complete rubber pack wheel, (includes Ref # 45 - 47 & 53)
48	1280038	Bolt, 5/16 x 3/4 HHCS
49	1780009	Screw, 3/8 x 5/8 soc set
50	1480016	Nut, 3/8 wing
51	1480013	Nut, 7/16 hex
52	10127	Wheel, steel pack (includes Ref # 33 & 34)
53	1780008	Screw, 5/8 x 1 set
54	10039	Brace, left upright
55	10038	Sprocket, upper conveyor
56	10040	Brace, right upright

# Start-rite Water Valve



Ref#	Part #	Description
1	10151	Cap, air vent
2	10015	Washer, air vent cap
3	10011	Gasket, air vent rubber
4	1180008	Washer, 5/8 flat
5	10048 10093	Seat, air vent brass Assembly, air vent complete (includes Ref #: 3 - 5)
6	10092	Valve, brass air
7	10096	Float, air shutoff ball
8	10095	Support, brass ball
9	10012	Reservoir, for water
10	1380006	Bolt, 5/16 x 3 carriage
11	1280001	HHCS, 5/16 x 5/8
12	1480002	Nut, 5/16 hex
13	10063	Clamp, water reservoir
	10114	Reservoir, water reservoir complete (includes Ref # 1 - 13)
14	10094	Valve, lower rubber (includes locking nut)
15	10087	Clamp, water spout
16	10086	Outlet spout, water reservoir
17	10153	Rod, water trip control
18	10155	Control, manual water shutoff
19	1380011	Bolt, 5/16 x 5/8 carriage flat top
20	1380002	Bolt, 1/4 x 3/4 carriage
21	10147	Panel, water trip indicator
22	1080004	Washer, 3/8 flat
23	10152	Spring, water trip
24	10014	Anchor, water trip spring
25	1480018	Nut, 1/4 wing
26	1480003	Nut, 5/16 hex lock
27	10148	Assembly, water trip rocker
28	10052	Ring, water trip retaining
	10150	Complete assembly, water trip (includes Ref #: 17 - 28)
	10115	Complete assembly, water valve (includes Ref #: 1 - 28)





## Operation of water valve

The valve is designed to give an ample supply of water for most plant spacings. Should more water be desired, merely move the indicator to a higher number. Moving the indicator to a lower number will decrease the amount of water used. A setting of '1' will shut the valve off. The manual shutoff lever will shutoff the flow of water when the unit is stopped in a position where the water trip is engaged.

## Removal of parts

The valve is designed so all parts can be removed without taking it off the unit frame. The upper air valve (10092) and ball float (10096) can be replaced by removing the valve top. The valve top can be removed by turning the air vent cap (10151) counterclockwise until loose. Do not remove the cap from the brass vent seat (10048). When the vent cap is loose, the entire upper mechanism can be lifted off.

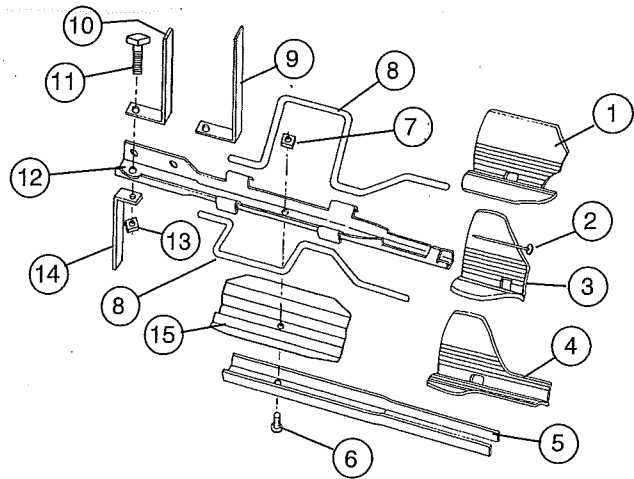
To remove the lower valve (10094), you must first remove the water reservoir spout (10086). Loosen the lock nut on the bottom of the valve and remove the water trip control rod. The valve can then be removed through the top of the reservoir. When reinstalling the lower valve, it is important that the plastic sleeve is in place and the lock nut tightened only enough to prevent it from coming off. If the lock nut is too tight, the lower valve will not seat properly and the valve will leak water.

## Maintenance

Grease the water trip rocker assembly before each use. All water trip linkage should move easily. Make sure all hose clamps are tight to prevent leakage.

After planting, remove the top of the valve and flush with water to clean. This is especially true when using fertilizer or chemicals in your water.

## Plant Holders



Ref #	Part #	Description
1	10020	Gripper, strawberry
2	10056	Nail, rubber gripper holding
3	10055	Gripper, standard rubber
4	10021	Gripper, small cell plants
5	10023	Fork, plant holder extension
6	1780003	Screw, 10-24 mach slot
7	1480008	Nut, 10-24 sq hd
8	10057	Rod, rubber gripper closing (pair)
9	10027	Spacer, plant holder (for 8 holder chain)
10	10026	Spacer, plant holder (for 10 & 12 holder chain)
11	1280038	Bolt, 5/16 x 3/4 sq hd
12	10058	Frame, plant holder
13	1480002	Nut, 5/16 hex
14	10025	Spacer, plant holder (for 6 holder chain)
15	10059	Cap, plant holder frame
	10007	Guide, bulb holder front (for chain units)(not shwn)
	10008	Guide, bulb holder front (for disc units)(not shwn)
	10037	Rod, rubber gripper closing (for 10020 gripper) (pair, not shown).

### Part # 10054 Plant Holder

Standard holder, for most bare rooted seedlings such as tomatoes, peppers, cabbage, tobacco and all plants with a holdable top foliage and a normal root section.

### Part # 10031 Plant Holder

For use with small cell tray or potted plants with a root section up to 1" dia. Rubber tail extension supports the root.

### Part # 10030 Plant Holder

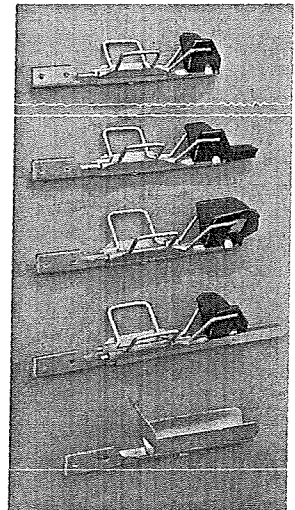
Designed for strawberries and other plants with large root section but small crown or top foliage.

### Part # 10032 Plant Holder

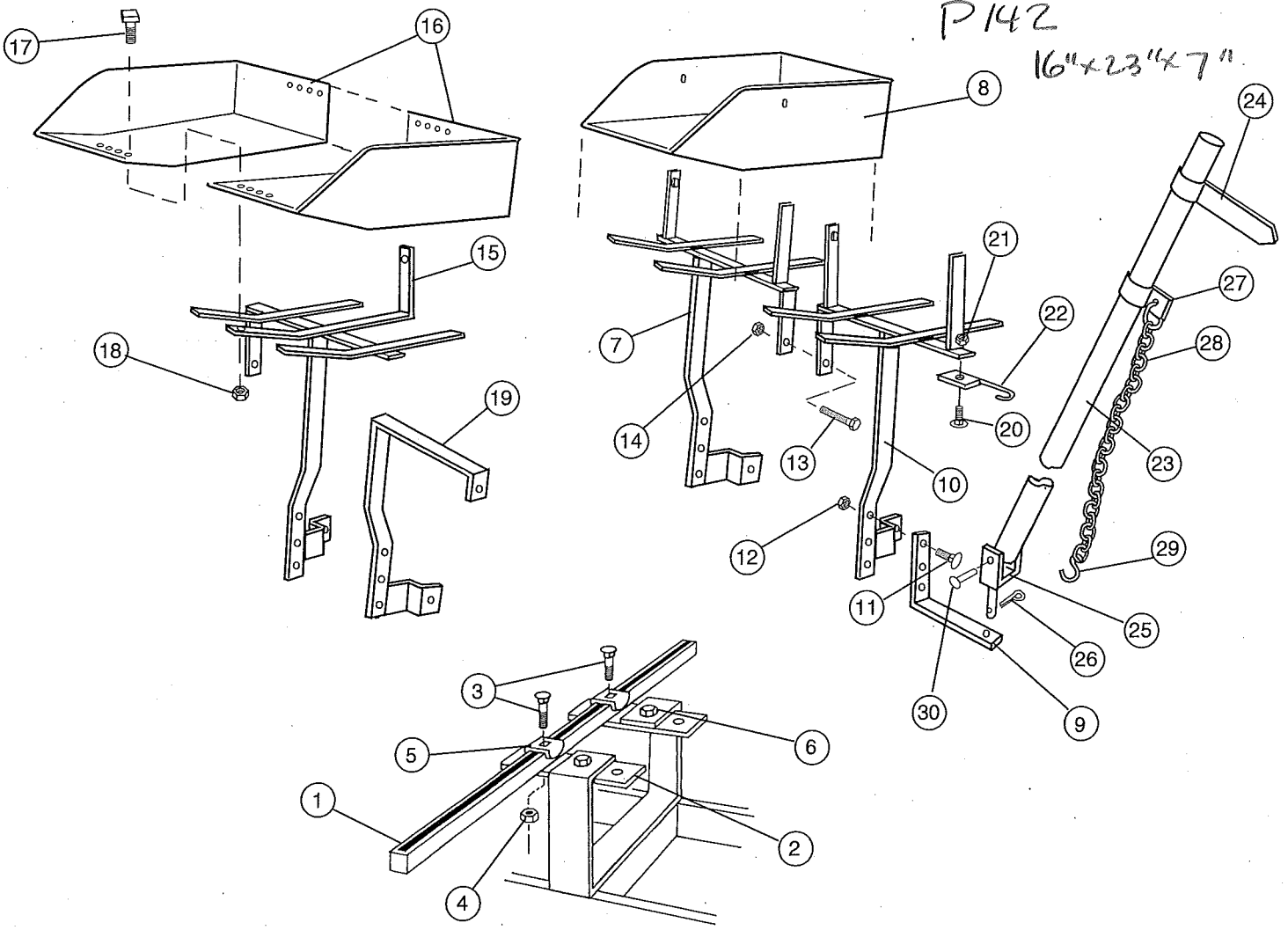
For use with larger potted plants with a root section up to 1-1/2" dia. Rubber gripper holds top of plant; dual fork supports the root.

### Part # 10033 Bulb Holder

For planting bulbs, potatoes, etc. up to 1-1/2" diameter. Must be used with a front guide attachment (not shown).



# Plant Boxes and Seat Bar



Ref #	Part #	Description
1	10213	Bar, seat mounting
2	10214	Bracket, seat bar adjustment
3	1380014	Bolt, 1/2 x 2 carriage
4	1480010	Nut, 1/2 hex
5	13021	Washer, seat bracket bent
6	1280013	HHCS, 1/2 X 1-1/4
7	10215	Stand, plant box right side
8	10219	Box, standard plant holder
9	10223	Footrest, unit
10	10216	Stand, plant box left side
11	1380005	Bolt, 3/8 x 1-1/4 carriage
12	1480005	Nut, 3/8 hex
13	1280031	Bolt, 7/16 x 5-1/2 HHCS
14	1480013	Nut, 7/16 hex
15	10221	Stand, adjustable center plant box

Ref #	Part #	Description
16	10220	Box, adjustable plant holder
17	1280038	Bolt, 5/16 x 3/4 sq hd
18	1480002	Nut, 5/16 hex
19	10043	Bracket, support
20	13800P3	Bolt, 3/8 x 1 carriage
21	1480005	Nut, 3/8 hex
22	13102	Marker pipe, hook bracket
23	13103	Marker pipe, with yoke
24	13104	Marker blade
25	13105	Marker pipe, swivel yoke
26	188000Y	Cotter key, 1/4 x 1-1/4
27	13106	Chain clamp
28	13107	Pipe chain, with "S" hook
29	1980025	"S" hook, for chain
30	0001580008	Rivet, for #25 yoke (through pipe)