

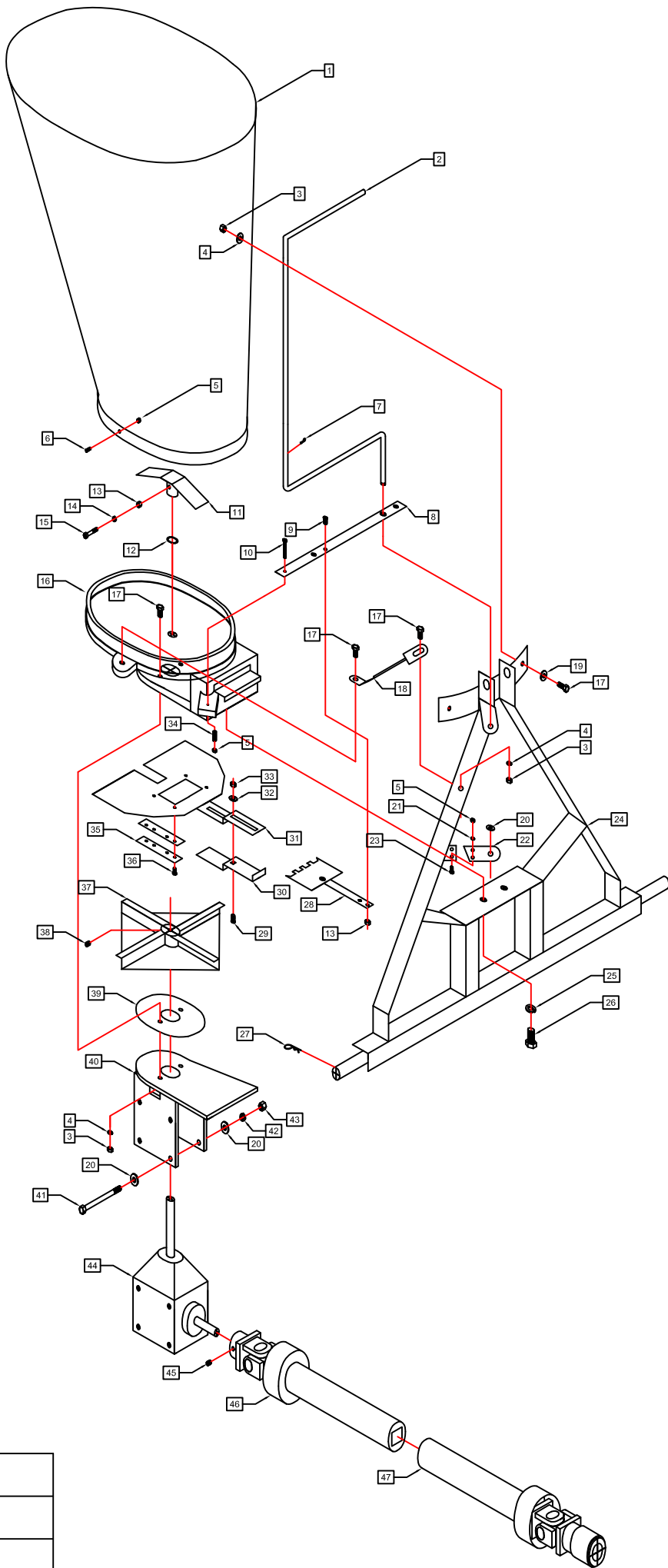
OWNERS MANUAL

Model # - M-12



KASCO
MANUFACTURING CO., INC.

170 W 600 N
Shelbyville, IN 46176
(317) 398-4636 or
(317) 398-7973
FAX (317) 398-2107



Model # m-12

Tolerance: +/- n/a

Date: 2/26/12

Rev.# 1

Scale:

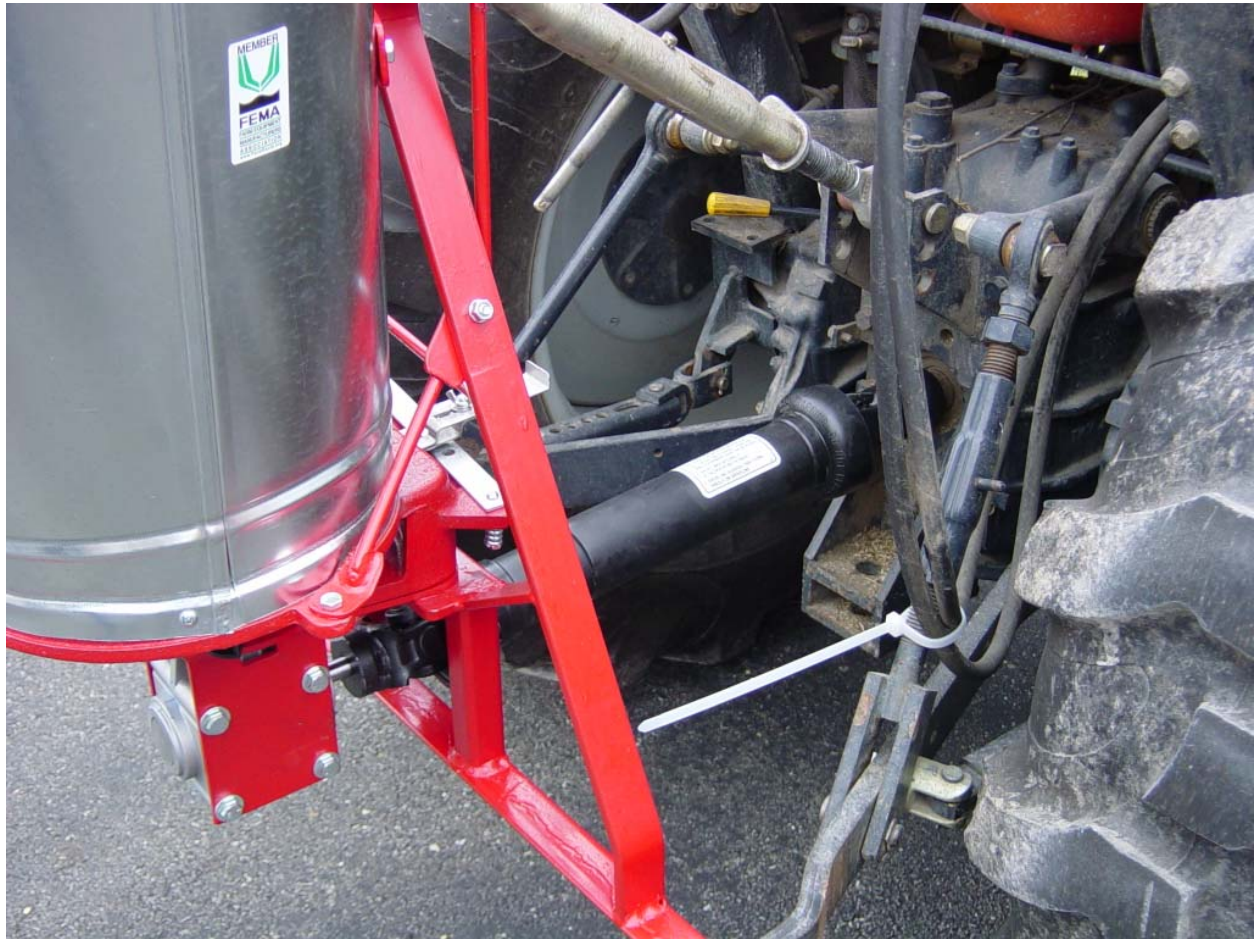
User: JH



M-12 PARTS LIST

Drawing #	Part#	Part Description	Number Required
1	M100	Hopper (3bu)	1
2	M101	Handle	1
3	516N	5/16" Nut	8
4	516LW	5/16" Lock Washer	8
5	10N	#10 Nut	7
6	1034PMS	#10 x 3/4" Phillips Truss Head machine Screw	4
7	18CP	cotter pin	1
8	792	Control handle	1
9	505	1/4"x1/2" Panhead Screw	1
10	806	3/16"x1 3/4" machine screw	1
11	M102	Agitator	1
12	406	Leather Washer	1
13	14N	1/4" Nut	2
14	14LW	1/4" Lock Washer	2
15	142HHCS	1/4"x2" Bolt	1
16	599	Cast Iron Base	1
17	5161HHCS	5/16"x1" Bolt	8
18	M103 L/R	Brace Rods	1L/1R
19	516FW	5/16" Flat Washer	8
20	38FW	3/8" Flat Washer	9
21	10LW	#10 Lock Washer	2
22	M104	Handle Plate	1
23	1012PMS	#10x1/2" Phillips Machine Screw	2
24	M105	Main Frame	1
25	12LW	1/2" Lock Washer	2
26	12112HHCS	1/2"x1 1/2" Bolt	2
27	14LP	1/4" Lynch Pin	2
28	504	Seed Gate	1
29	1412CB	1/4"x1/2" Carriage Bolt	1
30	803S	Opening Gauge Control Plate	1
31	802S	Pivot Plate	1
32	14FW	1/4" Flat Washer	1
33	14WN	1/4" Wing Nut	1
34	807	Compression Spring	1
35	509	Seed Gate Guides	4
36	516	1/4"x1/2" Flathead Machine Screw	4
37	174	Fan	1
38	502	1/4"x3/8"Set Screw	2
39	M106	Spacer Plate	1
40	M107	Gearbox Mounting Bracket	1
41	38412HHCS	3/8"x4 1/2" Bolt	4
42	38LW	3/8" Lock Washer	5
43	38N	3/8" Nut	4
44	M108	Gearbox	1
45	n/a	PTO Set Screw	1
46	414FP	PTO Broadcaster End	1
47	414MP	PTO Tractor Side	1
48	414P	Complete PTO Shaft (46+47)	1

M-12 ASSEMBLY INSTRUCTIONS



- 1) Remove seeder from box.
- 2) Remove (2) $\frac{1}{2}$ "x $1\frac{1}{2}$ " bolts and lock washers from cast iron base.
- 3) Install control handle (remember to install washer and mounting tab)
- 4) Attach mounting tab with (2) #10x $\frac{1}{2}$ " machine screws, lock washers and nuts.
- 5) Mount Frame to casting with (2) $\frac{1}{2}$ "x $1\frac{1}{2}$ " bolts and lockwashers. (Make sure control rod is in second hole of control arm)
- 6) Install cotter pin into control handle.
- 7) Attach hopper to frame with (2) $\frac{5}{16}$ "x 1" bolts with washers and nuts.
- 8) Attach brace rods with (4) $\frac{5}{16}$ "x 1" bolts with lockwashers and nuts.

TO MOUNT MODEL 3-PT M-12

1. To mount on 3-point hitch of tractor: Fasten one side of the seeder to the lower 3-point hitch arm, then fasten the other side. Place the tractor end of the power take-off shaft into the seeder end of the power take-off shaft. "CAUTION" – Now check to see that the power take-off shaft (part No. 414P) is not too long before raising the seeder up with the 3-point hitch. If it is too long you will need to cut equal amounts off of both ends of the power take-off shaft before attaching the upper center link arm to the seeder and raising the seeder up with the 3-point hitch. Herd Seeder Company will not be responsible for damage to the seeder due to the power take-off shaft bottoming out so make sure this does not happen.

OPERATING INSTRUCTIONS

1. Broadcaster should be operated level, or tilted slightly forward toward tractor. Broadcaster may be run a few inches above or below tractor. P.T.O., but not enough to bind universal joints.
2. Sway-bars or blocks should be used to keep unit from swaying from side to side.
3. To prevent the hopper from rushing when fertilizer is used, fill the space where hopper and base meet, with grease, remove any excess.
4. Be sure to run tractor full throttle- the P.T.O. never below 540 R.P.M.! Operate P.T.O. only when using Broadcaster.
5. Broadcaster should be greased hourly and more often if fertilizer or nitrates are being spread. (DO NOT GREASE PARTS!)
6. Keep in mind the rate your tractor travels in M.P.H. In using the Broadcasting chart, the seed opening must be opened wide for fast speeds and set narrower for slow speeds. (Settings given are for a speed of 4 M.P.H.)
7. Do not attempt to adjust, while machine is in use.
8. To center spread of material: The seed plate is fastened to bottom of casting by two bolts. This was designed because different seeds and fertilizers, or materials all leave the fan differently, according to weight, size and quality, and the spread would not be evenly divided behind tractor. Normal setting of the adjustable plate used for center spread, is when the mark on casting is in line with rivet in seed opening plate.
 - (A) Right-hand and left-hand reference is determined by standing at the rear of the Broadcaster and facing the direction of tractor travel.
 - (B) If the seed or material spread should be strong to the right side, loosen pivot plate and move towards the right side.
 - (C) If material spread is too much to the left side, loosen pivot plate and move towards the left side.
 - (D) Do not move pivot plate more than ¼" before checking, a small movement changes the pattern very much.
 - (E) Be sure and tighten bolts on seed plate.
9. You may lower the Broadcaster to fill hopper, then raise it to proper level to operate.
10. After operating Broadcaster a few minutes, check and tighten all set-screws.
11. This Model 3-pt. M-12 Broadcaster is not recommended for spreading granular insecticides and herbicides, Our electric models I-92 and I-44 were specially designed for this purpose.
12. Do not attempt to spread granular herbicides with this Model 3-PT. M-12 for the spread cannot be properly centered, due to the lightness of the material. Also, the agitator will grind up the material causing uneven feeding and dusting of material.

MAINTENANCE

1. When this 3-PT. M-12 is being used for nitrates, fertilizer or any type of highly corrosive material, be sure to clean thoroughly when through by flushing out with water. Lubricate seed opening guides and plate, and also, all parts that may corrode, before storing. In doing this, your Broadcaster will give much better service when you are ready to use it next time, and also, it will prolong the life of the machine.
2. This Broadcaster was thoroughly tested and will do the job efficiently and properly if the instructions are followed. A little extra time spent in setting up this machine the first time, and in reading and following operating instructions thoroughly, will pay dividends over the years, for these Broadcasters were built for years of service.
3. Check gearbox fluid after every 10 hours of use. Gearbox should be half full of 80 W 90 gear oil.

M-12 SEEDING CHART

SEEDING CHART

For Models M-96 and F-160

HERD SURE-FEED BROADCASTERS

MATERIAL	WEIGHT Lbs./Bu.	SPREAD WIDTHS	AMOUNT Per ACRE	OPENING WIDTH	TIME REQUIRED Per ACRE	TRACTOR SPEED
Alfalfa, Clover or Sw. Clover	60	18'	8 lbs	3/16"	6 min 52 sec.	4 M.P.H.
Bahia Grass	45	14'	10 1/2 lbs	1/4"	5 min 54 sec.	6 M.P.H.
<small>NOTE: Teeth must be removed from seed gate for even feeding.</small>						
Blue Grass	14	12'	1 bu	1/2"	10 min 18 sec.	4 M.P.H.
Brome Grass	14	12'	1 bu	1/2"	10 min 18 sec.	4 M.P.H.
Fertilizer	-	18'	83 lbs	5/8"	6 min 52 sec.	4 M.P.H.
Fescue or Rye Grass	24	14'	17 lbs.	1/2"	8 min 50 sec.	4 M.P.H.
Ladino Clover	60	18'	1 lbs	1/32"	6 min 52 sec.	4 M.P.H.
Lespedeza	60	18'	8 lbs	3/16"	6 min 52 sec.	4 M.P.H.
Oats	32	24'	2 bu	1"	5 min 9 sec.	4 M.P.H.
Orchard Grass	14	12'	1 bu	3/8"	10 min 18 sec.	4 M.P.H.
Rye	56	26'	1 bu	1/2"	4 min 45 sec.	4 M.P.H.
Timothy	45	16'	6 lbs	3/16"	7 min 44 sec.	4 M.P.H.
Vetch	60	26'	1 bu	3/8"	4 min 45 sec.	4 M.P.H.
Wheat	60	26'	1 bu	1/2"	4 min 45 sec.	4 M.P.H.

This chart is for normal broadcasting at tractor P.T.O. speed of 540-580 RPM.
Slight variations in tractor speed and quality and weight or material will vary the settings and widths shown on chart.
Check application rate after spreading a round or an acre. (Chart shows time necessary to cover one acre.)

HERD SEEDER COMPANY, INC

2383 South U.S. 35, P.O. Box 448

Logansport, IN 46947

Part No. 989 A

TEL 574-753-6311

HERD LIMITED WARRANTY

This Herd Broadcaster was thoroughly tested before it left the factory. We warrant each broadcaster sold by us to be free from defects in material and workmanship when used according to our directions. Our obligation under this warranty is limited to making good at the factory any defective part or parts thereof which shall within three months after delivery of such Herd Broadcaster to the original purchaser, to be returned to us. No person or company is authorized to make further warranty.

This Warranty shall not apply to any Herd Broadcaster which shall have been repaired or altered outside of our factory in any way so as to affect its stability or reliability, nor which has been subject to misuse, negligence or accidents, or was caused by damage while in possession of the consumer or resulted from failure to the consumer to provide reasonable and necessary maintenance.