



SURE-FEED BROADCASTER MODEL I-258

**Instructions for Assembly, Mounting,
Operating, and Maintenance.**

The Herd Model I-258 Broadcaster is designed to be mounted to farm tractors, pickup trucks, UTVs, or garden tractors. For mounting recommendations, please contact us. Use of this seeder with any mounting not manufactured and recommended by the factory voids warranty. Any questions about the safe operation of this broadcaster should be directed to the manufacturer.



Shown with optional 2" receiver hitch



1-800-458-9129
www.kascomfg.com



MODEL I-258 General Instructions

1. For Normal broadcasting of seeds, this model I-258 seeder requires no changes. It was assembled at the factory for this purpose.
2. This model may be mounted via one of our mounting kits (i.e. #660 2" receiver hitch, Carton JPH-1, etc).
3. An electronic speed control (#812) may be purchased as an option to control the width of the spread of material. This will allow the spread pattern to be narrowed by a slower fan speed.
4. To center the spread pattern, pivot plate #802SI can be rotated left or right. To do this, loosen the two capscrews holding the pivot plate to the base of the seeder. While facing the hopper and looking at the Herd Seeder Co. decal, if the spread pattern of the material being spread is heavy to your right, then move the pivot plate to a lower letter. If the spread pattern of the material is heavy to the left, move the pivot plate to a higher letter.
5. Be sure the battery charge is up and the generator/alternator is operating efficiently, so that the broadcaster will operate at the necessary RPMs. The motor will use approximately 8 to 10 amps when spreading.
6. This unit is not recommended for fertilizer or salt as the corrosive material must be kept off the electric motor.

ASSEMBLY INSTRUCTIONS

1. Place the broadcaster motor side up, on a level surface for assembly.
2. Turn the handle (part #729) around toward the seeder base and remove the flathead screw and jamnut. Place flathead screw first through the hole in the seed gate linkage, then through the hole in the handle. Tighten with the jam nut until snug. Make sure the jam nut is up, facing you, and not too tight, as it must pivot at this point.
3. Check the opening gauge control plate (part #803S) for correct fit. It is possible the gauge could have been bent in shipping. This gauge is used to set the seed gate opening width to regulate the amount of seed flowing through the seed gate onto the spinner fan. The seeder is now ready to be mounted.

MOUNTING #794 SWITCH

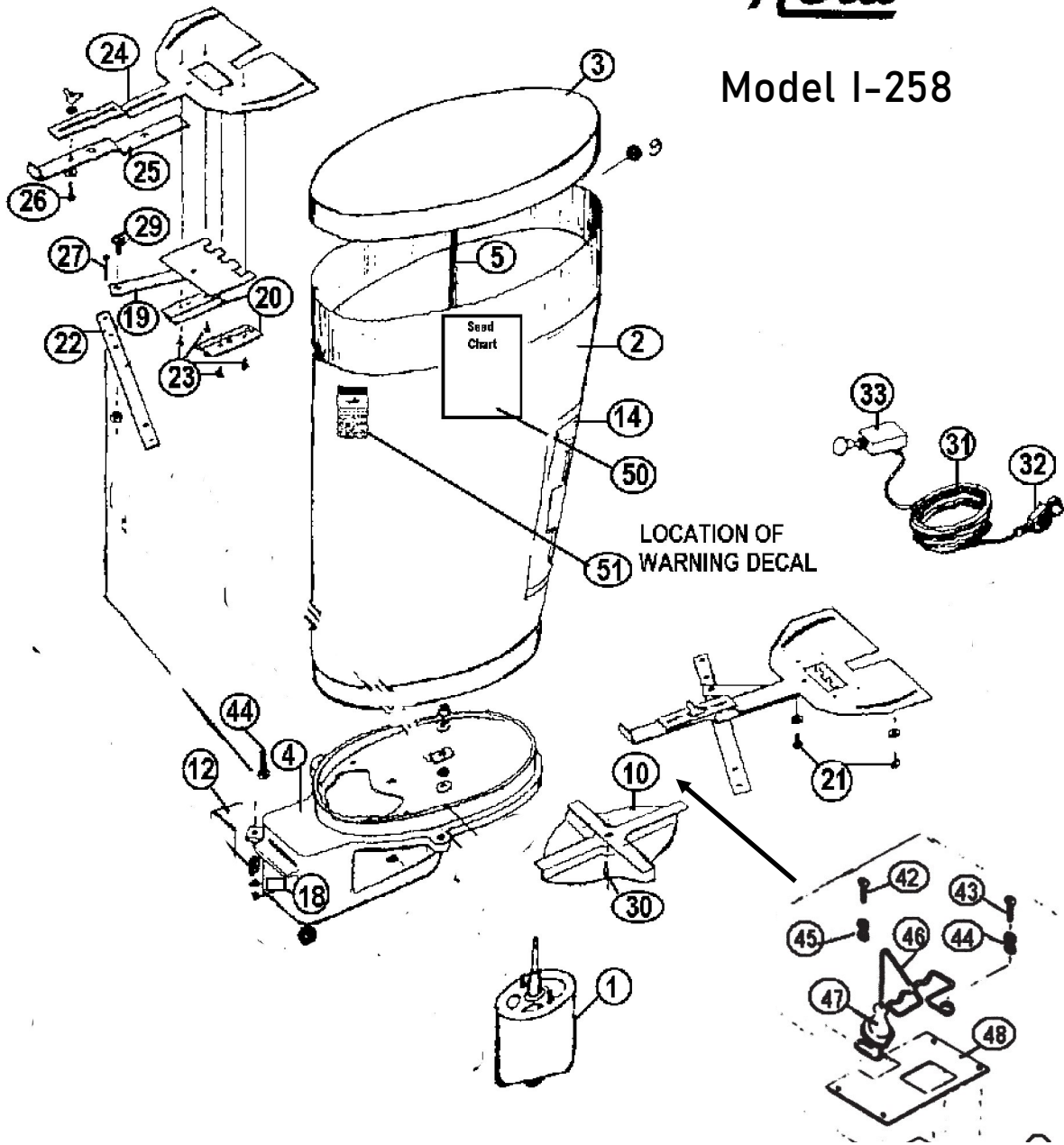
1. The push-pull switch (part #794) can be mounted next to the driver's seat, in a convenient spot. It can also be mounted next to the broadcaster on one of the remaining holes on the cross angle iron.
2. When the optional #811 Electronic Speed Control is used, FOLLOW THE INSTRUCTIONS SUPPLIED WITH THE #811 KIT EXACTLY. Failure to follow instructions exactly will result in motor failure and will void the warranty.

WIRING INSTRUCTIONS

1. Run the #754 wire from the motor terminal to the switch or rheostat, then run a wire from the switch or rheostat to the positive (+) battery terminal. Use 14 gauge wire or heavier.
2. You can use the battery clamp #755 to connect the positive (+) wire from the switch or rheostat to the positive (+) battery terminal for convenience.
3. A second ground must be run between the frame of the seeder and the frame of the vehicle.

Herd

Model I-258



PART LISTING FOR I-258

DRAWING #	PART NUMBER	DESCRIPTION
1	#713	MOTOR
2	#981C	HOPPER
3	#796	LID WITH COTTER
4	#597	GREY IRON BASE FOR I-258
5	#913	LID SPRING WITH SCREW, WASHER, NUT
10	#501	FAN
14	#831	HERD SURE-FEED BROADCASTER DECAL
19	#504	OPENING PLATE WITH CONNECTING LINKAGE
20	#509	GUIDE ASSEMBLY FOR SEED GATE (2 pairs required)
21	#516	1/4" X 1/2" HHCS WITH WASHER (2)
22	#792	CONTROL HANDLE
23	#510	#10-24 X 3/8 ROUNDHEAD MACHINE SCREW WITH WASHER
24	#802S	PIVOT PLATE
25	#803S	OPENING GAUGE CONTROL PLATE WITH BOLT, NUT, WASHER
26	#515	1/4 X 1/2" CARRIAGE BOLT WITH WING NUT, WASHER
27	#806A	#10-24 X 1-3/4" MACHINE SCREW WITH NUT, WASHER
29	#505	1/4 X 1/2" PAN HEAD BOLT WITH LOCKNUT
30	#502	1/4 X 3/8" SOCKET SCREW
33	#814	WIRING HARNASS
33	#794	PUSH PULL SWITCH
42	#781	LEFT-HANDED THREAD MACHINE SCREW
43	#507	#10-24 X 3/8 ROUNDHEAD MACHINE SCREW WITH WASHER
46	#209	VIBRATING AGITATOR
47	#508L	NIPPLE, USED ON AGITATOR
48	#517	BLOCKING PLATE (OPTIONAL)
50	#989D	SEEDING CHART FOR I-258
51	#1091	WARNING- SPINNING BLADE DECAL
(not shown)	#780	WHIZ NUT #10-24 FOR MOTOR
(not shown)	#541	SWITCH BRACKET
(not shown)	#807	COMPRESSION SPRING, USED ON HANDLE BOLT
(not shown)	#408A	#10 X 3/4" PHILLIPS TRUSS HEAD MACHINE SCREW WITH NUT, used on
44,45	#503	BRONZE BUSHING, USED ON FAN AND PIVOT PLATE

ADDITIONAL TIPS AND TROUBLE-SHOOTING

1. Causes of packing material in the bottom of hopper:
 - ⇒ Filling unit at barn then driving to field
 - ⇒ Using material that has collected moisture from storage, or material being used on extremely damp days.
 - ⇒ Use of poor grade material
 - ⇒ Using hopper extension when material is not used at a fast rate
2. Cause of material blowing on operator during spreading:
 - ⇒ Unit mounted too high about ground. This will cause the fan draft to pick up objectionable odors from material, including dust, and carry them back to the operator.
 - ⇒ Using material that is too dusty
 - ⇒ Driving into wind. You should operate vehicle at a slight angle so that the material blows to one side
3. Hopper extension is recommended for oats only.
4. If the motor does not operate correctly, check connection, battery, generator, and switch. Make sure unit is grounded securely to vehicle.
5. The opening must be opened wider for faster speeds in MPH of vehicle, and set narrower for slower speeds, to ensure proper amount of material on the ground.
6. If spread is too far to the left when facing broadcaster, move pivot plate so that the opening aligns with a higher letter. If spread center is to the right, move pivot plate so that the opening aligns with a lower letter. Be sure to tighten pivot plate capscrews after adjusting.
7. The poorer grade of material, the narrower the spread and more difficulties will be encountered. Therefore, we recommend you use good, dust-free material.

MAINTENANCE

1. Store this model in a dry place so that the motor will not draw dampness. Be sure to check motor so that it runs freely when it is to be used next. Run broadcaster empty a few minutes before using after long periods of storage.
2. Clean inside of hopper and seed plate with a dry or lightly dampened clean rag.
3. Do not allow moisture/water to set on the motor shaft. This can cause internal damage to the motor and will void warranty.

CHART FOR BROADCASTING SEEDS - I-258			
Seed/Material	Opening Size	Sows per Acre	Width
Alfalfa	3/16"	5-1/2#	28 feet
Ammonium Nitrate	3/8"	80#	24 feet
Australian Pea	3/8"	1 bushel	34 feet
Bahia Grass	3/16"	19 #	18 feet
Blue Grass	1/2"	9-1/2#	14 feet
Brome Grass	1/2"	12#	28 feet
Clover	3/16"	5-1/2#	28 feet
Flax/ Millet	1/4"	10#	30 feet
Ladino Clover	1/32"	1#	28 feet
Lespedeza	3/16"	6#	28 feet
Oats	1"	64#	26 feet
Orchard Grass	3/8"	9-1/2#	18 feet
Red Top	3/16"	1-1/2#	18 feet
Rye	1/2"	42#	32 feet
Rye Grass	3/8"	1 bushel	21 feet
Sweet Sudan Grass	1/2"	20#	28 feet
Timothy	3/16"	6#	36 feet
Turnip Seed	1/4"	10#	36 feet
Vetch	3/8"	40#	36 feet
Wheat	1/2"	45#	32 feet

The above chart is a reference only. The width of the spread varies according of the quality and weight of the seed/material, fan speed, and wind conditions. All widths given above are conservative. After making one run through your field, check spread and check battery/grounding connections.

When measuring opening width, measure from the inset of tooth on the seed gate, not from the tip of the teeth.

CAUTION:

When spreading bahia grass, teeth must be removed from seed gate for even feeding. For every 1/16" increase in opening, the amount going through the opening will increase approximately 100% over the last setting.

LIMITED WARRANTY

Kasco Mfg. Co., Inc. warrants all its products marketed under the “Herd” trademark against defects in material and workmanship for three (3) months after date of retail purchase, except those components not manufactured by Kasco, as those parts are warranted only to the extent of the original manufacturer’s warranty. Our obligation under this warranty is limited to making good at the factory any defective part or parts thereof, which shall within three (3) months after delivery of such broadcaster to the original purchaser, to be returned to us.

Should any part manufactured by Kasco prove defective within three months from date of retail purchase, supposed defective part shall be returned freight paid to Kasco for consideration. If found to be defective by Kasco, credit will be issued through the proper channels, distributor and/or dealer.

Kasco will not assume liability for any labor costs, loss or damage caused by a defective part, consequential damages, or operational delays.

Altering or misuse of a part will void this warranty. Repairing a part without the expressed permission of Kasco voids this warranty. Use of any mounting kit not manufactured by or recommended by the factor will void all warranty.

Kasco neither assumes nor authorizes any person to assume for Kasco any other obligations or liability in connection with the sale of its equipment

Kasco reserves the right to make improvements in design or changes in specifications at any time without incurring any obligations to owners of equipment previously sold.



**170 West 600 North
Shelbyville, IN 46176
800-458-9129
www.kascomfg.com**