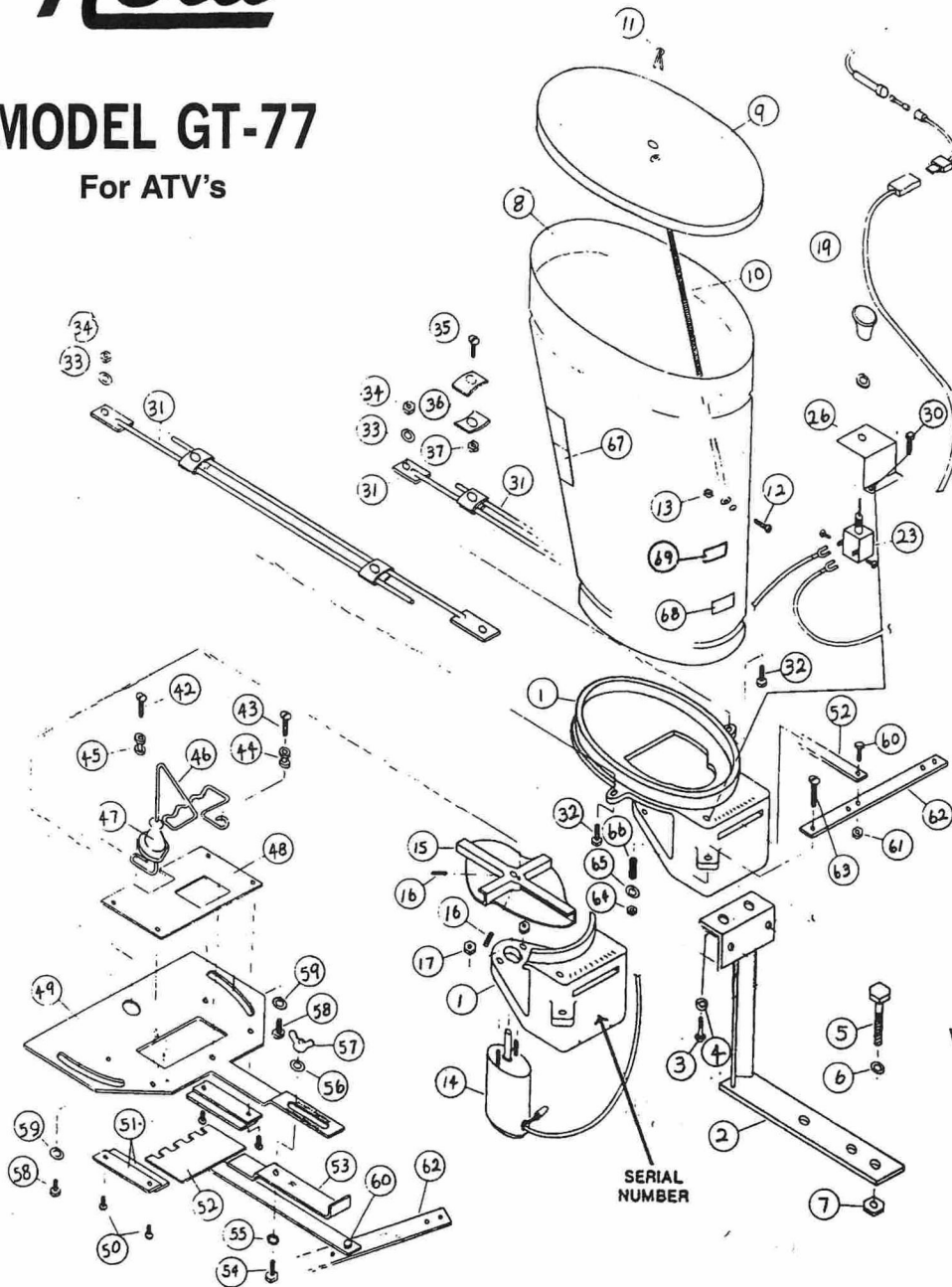


Herd

MODEL GT-77

For ATV's



69



Warning Decal - If missing
Call 219/753-6311 for free
replacement.



“CAUTION” KEEP HANDS, FINGERS AND LOOSE CLOTHING WELL AWAY FROM SPINNING FAN OR INJURY MAY RESULT.

For your own record fill in the following:

Date Purchased _____

Serial Number _____

Purchased From _____

Model Number _____

PARTS and ACCESSORIES FOR MODEL GT-77 BROADCASTER for A.T.V.'s

Shown in Drawing

When ordering parts, order by both part name and number . . . not drawing number.

<u>Drawing Number</u>	<u>Part Number</u>	<u>Name of Part</u>	<u>Number Needed</u>
1.	500	Grey-Iron Base for GT-77	1
2.	511	Stand(Supplied with Mounting Carton D, JD-1 amd U only).....	1
3. & 4.	410A	1/2" x 1" Hexhead Capscrew w/Lock Washer	2
5,6,7.	514	1/2" x 1-3/4" Hexhead Capscrew, Lock Washer & Nut	1
8.	911	Hopper.....	1
9. & 11.	912	Lid & Cotter Key	1
10,12,13.	913	Lid Spring and Bolt w/Nut	1
14.	778	12-Volt Motor	1
15.	501	Fan 4-Bladed, 5/16" Shaft Hole, w/St. St. Setscrews.....	1
16.	502	1/4" x 3/8" Socket Screw, S.S. (Included with 501 Fan)	2
17.	779	Whiz Nut (10-32) - Used on Motor	2
19.	812	Complete Wiring Assembly.....	1
23.	794	Push-Pull Switch	1
26.	541	Switch Bracket	1
30.	107	1/4" x 1/2" Bracket Bolt w/Washer	1
31.	512	Brace Rod - 5/16" Hole in end (Used on Carton "D" only)	4
32,33,34.	407	5/16" x 1" Hexhead Capscrew w/Washer & Nut	2
35,36,37.	924	Brace rod Clamp, Complete (Used on Carton "D" only).....	2
42.	781	Round Head Machine Screw, Left-Hand Thread - Used to Bolt Bronze Bushing to Fan	1
43.	507	3/16" x 3/8" Round-head Machine Screw, St. St., w/Washer.....	1
44. & 45.	503	Bronze Agitator Bushing - Used on Fan & Pivot Plate.....	2
46.	209	Agitator - Stainless Steel.....	1
47.	508L	Nipple - Used on Agitator.....	1
48.	517	Blocking Plate - Optional (Must be purchased separately) (Standard with Logic and Award and Seeder).....	1
49.	802S	Pivot Plate - Stainless Steel	1
50.	510	3/16" x 3/8" Round-head Machine Screw, St. St.	4
51.	509	Guide Assemblies for Seed Gate (1 Set consists of 2) - Stainless Steel	2 Sets
52.	504	Opening Plate w/Connecting Linkage - St. St.....	1
53.	803S	Opening Gauge Control Plate - works with Pivot Plate 802S - Stainless Steel (Not included with Logic and Award Seeder).....	1
54,55,			
56. & 57.	515	1/4" x 1/2" HH Capscrew, Stainless Steel- w/Wing Nut & Washer (Not included with Logic and Award Seeder).....	1
58. & 59.	516	1/4" x 1/2" Hexhead Capscrew, St. St. - w/Washer	2
60. & 61.	505	1/4" x 1/2" Button Head Bolt, St. St. - w/Locking Nut	1
62.	792	Control Handle.....	1
63,64,65.	806A	3/16" x 1-3/4" Machine Screw, w/Nut & Washer.....	1
66.	807	Compression Spring - Used on Handle Bolt	1
67.	831	"HERD Sure-Feed Broadcaster" Decal	1
68.	210	Decal - Model GT-77.....	1
69.	1091	"WARNING" Decal	1