

*Important!*

*Do Not Destroy!*

*Please Read!*

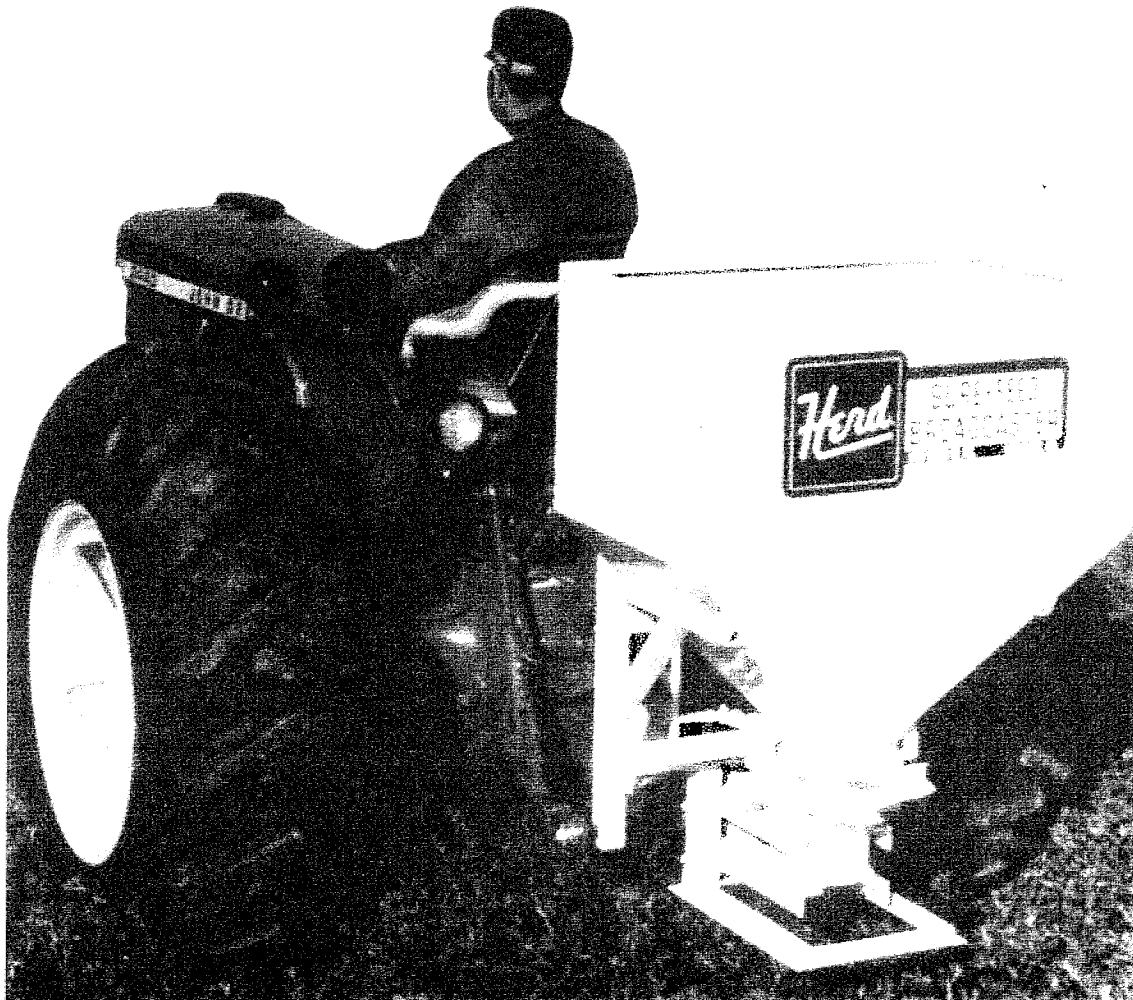
# *Herd*

# SURE-FEED BROADCASTER

*Herd* MODEL 750

CAPACITY: 750 LBS., 12 CU. FT., 9.6 BU.

Instructions For  
Assembly, Mounting, Seeding,  
Operating and Maintenance.



*Repair  
Parts List*



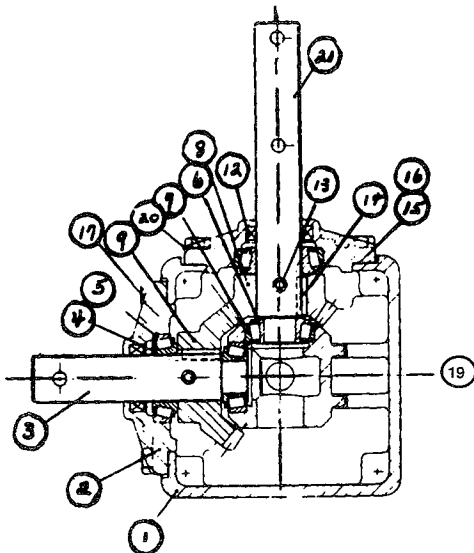
[www.herdseeder.com](http://www.herdseeder.com)  
**HERD SEEDER COMPANY, INC.**

PHONE No. 574-753-6311  
FAX No. 574-722-4106

P.O. BOX 448  
2383 South U.S. 35  
LOGANSPOUT, INDIANA 46947-0448

16.	148	FAN, COMPLETE WITH SPRING PIN .....	1
17.	149	OPENING CONTROL PLATE, WITH LINKAGE .....	1
18.	150P*	25-1/4" SHIELDED POWER TAKE-OFF SHAFT FOR 1-3/8" PTO WITH 1" DRIVEN END .....	1
19.	150FP	BROADCASTER END OF 25-1/4" POWER TAKE-OFF SHAFT .....	1
20.	150MP	TRACTOR END OF 25-1/4" POWER TAKE-OFF SHAFT .....	1
21.	2000	GEAR BOX, COMPLETE - FOR 540 RPM (SEE CUT ON GEAR BOX FOR PARTS) (SAME AS 151) <sup>c</sup> .....	1
	2000M	GEAR BOX, COMPLETE - FOR 1,000 RPM (SAME AS 151M) (OPTIONAL) .....	1
22.	152	WASHER - 1" BORE, USED ON FAN SHAFT IN HOPPER .....	1
23.	154	"Z" ANGLES USED TO CARRY GEAR BOX - LEFT SIDE .....	2
	153	"Z" ANGLES USED TO CARRY GEAR BOX - RIGHT SIDE (NOT SHOWN IN DRAWING) .....	2
24.	212	HANDLE ASSEMBLY FOR 750 .....	1
25.	211	HOPPER FOR MODEL 750 (11-1/2 CU. FT. CAPACITY) .....	1
	214	FRAME, LESS CONTROL HANDLE (PRICE ON REQUEST) .....	
26.	158	LIME AGITATOR W/BOLT, USED WITH DEHYDRATED LIME OR DOLOMITE (OPTIONAL) .....	1
27.	159	"L" BASE CLAMP - LOWER .....	2
28.	160	"L" BASE CLAMP - UPPER (WELDED TO HOPPER) .....	2
29.	418	1/2" x 3" MACHINE BOLT WITH NUTS AND FLAT WASHERS .....	8
30.	419	3/8" x 1" MACHINE BOLT WITH LOCK WASHERS .....	8
31.	407A	5/16" x 1" MACHINE BOLT WITH NUT AND WASHER .....	2
32.	420	5/16" x 3/4" CARRIAGE BOLT WITH NUT AND LOCK WASHER .....	8
33.	421	5/16" x 1-1/4" CARRIAGE BOLT WITH NUT .....	1
34.	422	5/16" x 1-3/4" MACHINE BOLT WITH NUT (USED IN AGITATOR 147) .....	1
35.	1093	DEFLECTOR - 22" LONG (NOT SHOWN IN DRAWING) .....	1
36.	92P	PLASTIC SHIELD FOR TRACTOR HALF OF WEASLER P.T.O. SHAFT (INCLUDES #79P & 80P) .....	1
	95	PLASTIC SHIELD FOR TRACTOR HALF OF G & G - P.T.O. SHAFT (INCLUDES #46 & 47) .....	1
37.	93P	PLASTIC SHIELD FOR SEEDER HALF OF WEASLER P.T.O. SHAFT (INCLUDES #79P & 80P) .....	1
	94	PLASTIC SHIELD FOR SEEDER HALF OF G & G P.T.O. SHAFT (INCLUDES #46 & 47) .....	1
38.	215	FERTILIZER INSTRUCTION DECAL FOR MODEL 750 .....	1
39.	216	MODEL NUMBER DECAL - FOR 750 .....	1
40.	989C	SEEDING CHART DECAL .....	1
41.	222	ASSEMBLY "C" COMPLETE, OF BASE PLATE 144 AND PARTS .....	1
42.	223	HOPPER BASE RING (MUST BE WELDED TO HOPPER) .....	1
43.	86A	5/16" x 1" CAPSCREW WITH 2 NUTS AND FLAT WASHER .....	1
44.	1123	STAINLESS STEEL COMPRESSION SPRING - USED BETWEEN AGITATOR AND WASHER .....	1
45.	1126	1/4" x 3/8" HEXHEAD CAPSCREW .....	1
46.	96	YOKE ONLY, FOR TRACTOR HALF OF WEASLER P.T.O. SHAFT .....	1
	101	YOKE ONLY, FOR TRACTOR HALF OF G & G P.T.O. SHAFT .....	1
47.	97	YOKE ONLY, FOR BROADCASTER HALF OF WEASLER P.T.O. SHAFT .....	1
	103	YOKE ONLY, FOR BROADCASTER HALF OF G & G P.T.O. SHAFT .....	1

**PARTS FOR 2000 (OR 151 GEARBOX WITH 1" SHAFTS:  
FOR MODEL 750**

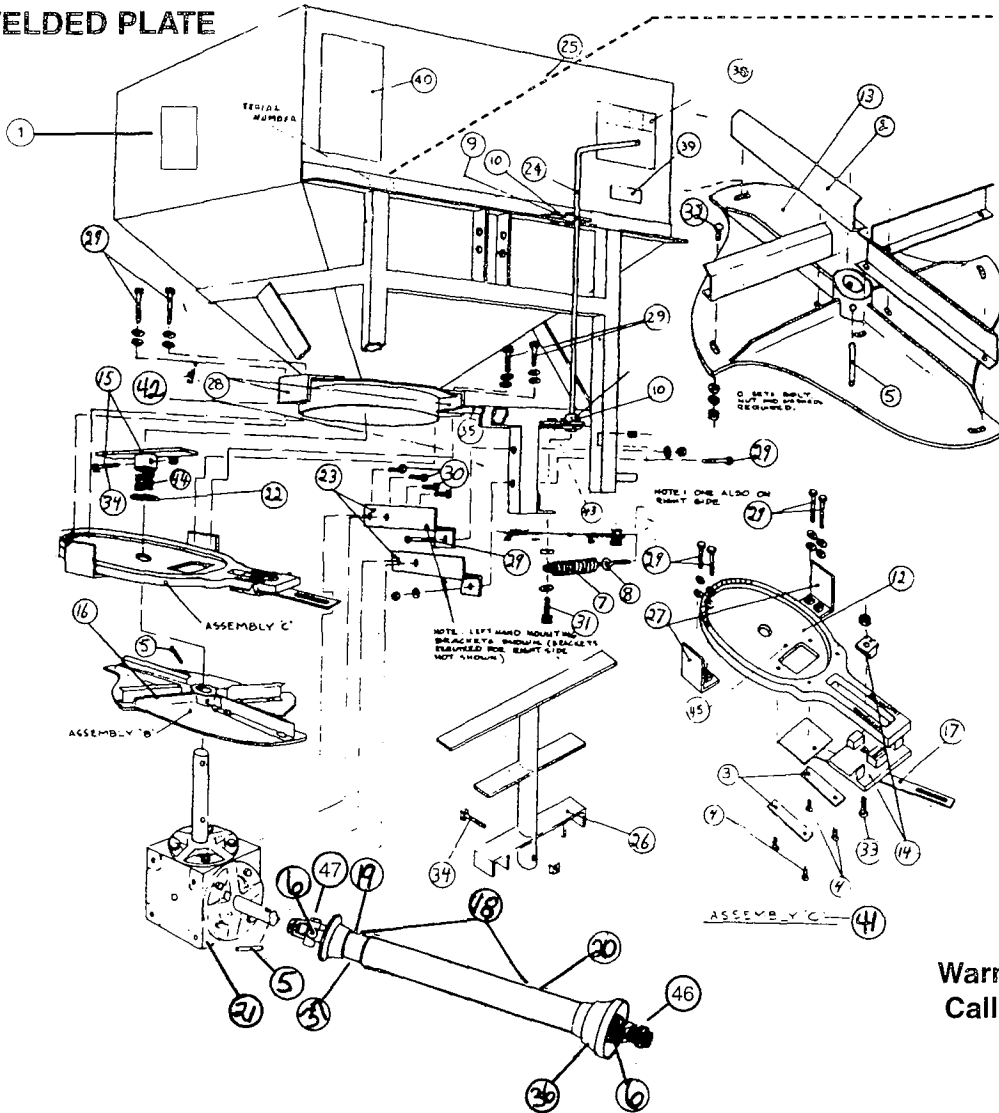


1.	2017	HOUSING.....	1
2.	2016	CAP.....	2
3.	2018	SHORT SHAFT, DRIVE .....	1
4.	2013	BEARING CONE - LARGE (L44643) .....	2
5.	2012	BEARING CUP - LARGE (L44610) .....	2
6.	2011	BEARING CONE - SMALL (LM11749) .....	2
7.	2010	BEARING CUP - SMALL (LM11710) .....	2
8.	2014	GEAR, STEEL, 14-TOOTH .....	1
9.	2019	GEAR, STEEL, 19-TOOTH .....	1
12.	2009	OIL SEAL .....	2
13.	2005	ROLL PIN .....	2
14.	2008	KEY .....	2
15.	2006	GASKET - .014.....	VAR.
16.	2007	GASKET - .005 .....	VAR.
17.	2002	5/16" x 1" HEXHEAD CAPSCREW .....	8
19.	2003	VENTED PIPE PLUG .....	1
20.	2001	5/16" LOCKWASHER .....	8
21.	2015	LONG SHAFT - VERTICAL DRIVEN .....	1
	2020	SHIM.....	VAR

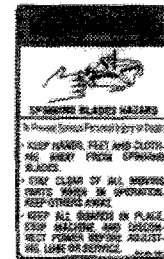
DESIGNS SUBJECT TO CHANGE WITHOUT NOTICE.

**SERIAL NUMBER LOCATED  
ON WELDED PLATE**

**SERIAL NUMBER LOCATED  
ON WELDED PLATE, JUST  
BELOW MODEL NO. DECAL**



**Herd**  
MODEL 750



**Warning Decal - If missing  
Call 574/753-6311 for free  
replacement.**

**CAUTION:** KEEP all guards and shields in place at all times. Disengage power take-off and shut off tractor engine before making any adjustments or repairs to seeder. KEEP hands, fingers and loose clothing well away from any and all moving parts at all times.

**PARTS FOR MODEL 750 BROADCASTER SHOWN IN PHOTO: (750 LB., 9.6 BU., OR 12 CU. FT. CAPACITY)**

(WHEN ORDERING PARTS, BE SURE TO GIVE BOTH MODEL NUMBER AND SERIAL NUMBER. SEE TOP OF PAGE FOR LOCATION OF SERIAL AND MODEL NUMBERS).

NO.	PART NO.	NAME	NO. REQ
1.	1091	WARNING SPINNING BLADES DECAL.....	1
2.	102	BLADES FOR FAN, WITH BOLTS (420) .....	4
3.	106	SEED GATE GUIDES.....	2
4.	107	1/4" X 1/2" CAP SCREWS - TO HOLD CONTROL PLATE TO BASE PLATE .....	4
5.	111	5/16" X 2" SPRING PIN, FOR DRIVEN END OF POWER TAKE-OFF SHAFT AND FAN .....	2
6.	78	REPAIR KIT "W" FOR P.T.O. SHAFT (PIN & BLOCK TYPE) FOR WEASLER P.T.O. ....	2
	843	CROSS & BEARING REPAIR KIT (G & G P.T.O. SHAFT) .....	2
	79P	NYLON BEARING FOR PLASTIC SHIELD OF WEASLER P.T.O. SHAFT .....	2
	46	BEARING SHIELD KIT, NYLON BEARING, SNAP RING & THRUST WASHER - FOR G & G .....	2
	80P	BEARING RETAINER FOR PLASTIC SHIELD OF WEASLER P.T.O. SHAFT .....	2
7.	116	TENSION SPRING .....	1
8.	117	EYE-BOLT .....	1
9.	407	5/16" X 1" MACHINE BOLTS - W/NUT & LOCKWASHER .....	1
10.	213	BRACKET FOR CONTROL HANDLE, UPPER & LOWER .....	2
12.	144	HOPPER BASE PLATE .....	1
13.	145	FAN BASE ONLY (TO WHICH BLADES FASTEN) .....	1
14.	146	SEED OPENING GAUGE, WITH BOLT (COMPLETE) .....	1
	146B	BOTTOM PART ONLY OF 146 SEED GAUGE .....	1
	146U	UPPER PART ONLY OF 146 SEED GAUGE .....	1
15.	147	REGULAR AGITATOR WITH BOLT & NUT.....	1