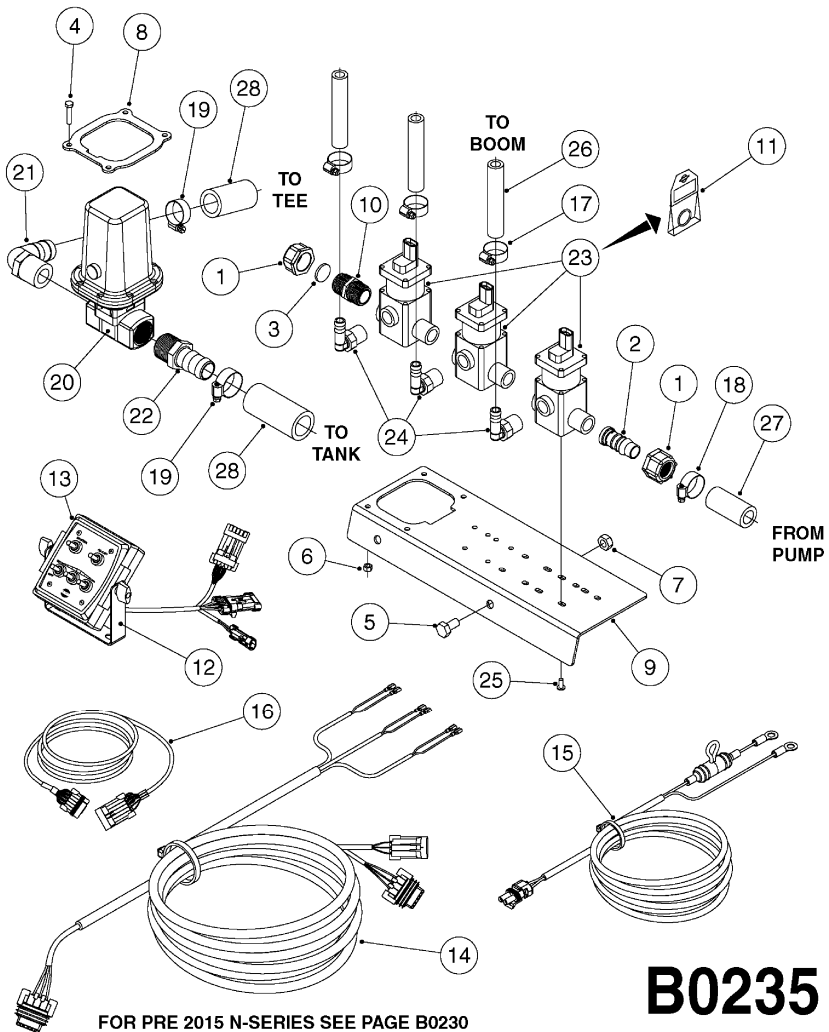


Pos.	parts-n°	order qty	description
1	320283	1	NUT 3/4" BSP
2	330691	1	3/4' RG X 3/4' STRAIGHT TAIL
3	390542	1	PLUG WASHER FOR 3/4'CAP NUT
4	410686	1	BOLT M6 X 30 G304 SS
5	420626	1	SCREW M10 X 20 DIN 933 S/LESS
6	460261	1	NUT HEX M6X1.00 LOCK DIN985 A2 SS
7	460423	1	NUT M10 NYLOC SS G304
8	16231703	1	PLATE, FLAT, 1/8" 99X116, RED
9	16231903	1	BRACKET, EC CONTROL, N-SERIES '17, RED
10	23005703	1	FITT, 3/4" POLY NIPPLE
11	24004103	1	O-RING F.SOLENOID
12	26001503	1	HC FOAM MARKER CONSOLE MT.KIT
13	26010503	1	HARDI 3-SEC VAL CONTR CONSOLE
14	26010603	1	SPRAYMATE II HARDI BRANCH CABL
15	26010703	1	SPRAYMATE II BATTERY CABLE
16	26010803	1	SPRAYMATE II 15'10PIN M/P CABL
17	28029803	1	CLAMP HOSE GEAR P1/2" 6708
18	28029903	1	CLAMP HOSE GEAR P3/4"-S1" 6712
19	28030003	1	CLAMP HOSE GEAR P1" 6716
20	28032903	1	SPRAYMATE II 1"SERVOVALV 150M
21	28033803	1	FITTING, 1"X1"NPT 90° ELBOW



Pos.	parts-n°	order qty	description
22	28039203	1	FITTING, 1" NPT/BARB BANJO
23	28085803	1	SOLENOID VALVE, TIR, 3/4X1/2X3/4
24	28093603	1	FITTING, 1/2"MPT X 1/2" HB 90
25	44076200	1	PT SCREW 50X16
26	92702103	1	HOSE R X1/2" X300PSI WP X0012"
27	92703203	1	HOSE R X3/4" X300PSI WP X0012"
28	92712403	1	HOSE R X1" X300PSI WP X0012"