



Agoparts: www.HARDI-INTERNATIONAL.com

MERCURY MERCURY Cannon

Country-Code 00

Date 21.12.2009 13:45

MERCURY Cannon





MERCURY MERCURY Cannon

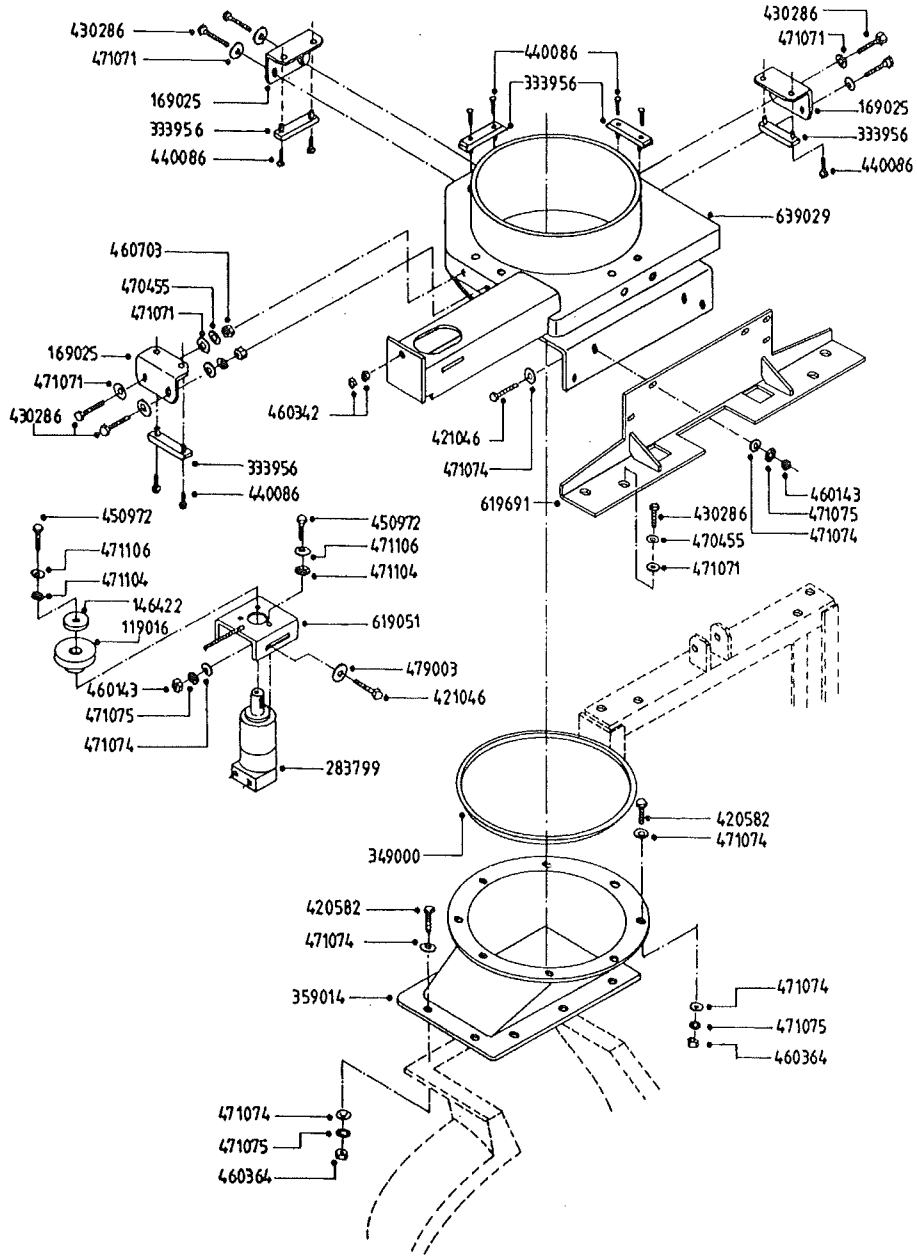
Page 0.1

Date 21.12.2009 13:45

main group	page-n°	date	description
Blower unit mistblower	4_437 4_438 4_439 4_440 4_441 4_442	20:6--0 20:6--0 20:6--0 20:6--0 20:6--0 20:6--0	CANON - L - P540 SOPORTE CANON - L - P540 SALIDA AIRE CANON P540 / P540D CIRCUITO HIDRAULICO CANON - T - M - P540D SOPORTE CANON - T - P540D SALIDA AIRE CANON - M - P540D SALIDA AIRE



CANON - L - P540 SOPORTE
4_437, 20:6-:-0





CANON - L - P540 SOPORTE
4_437, 20:6--:0

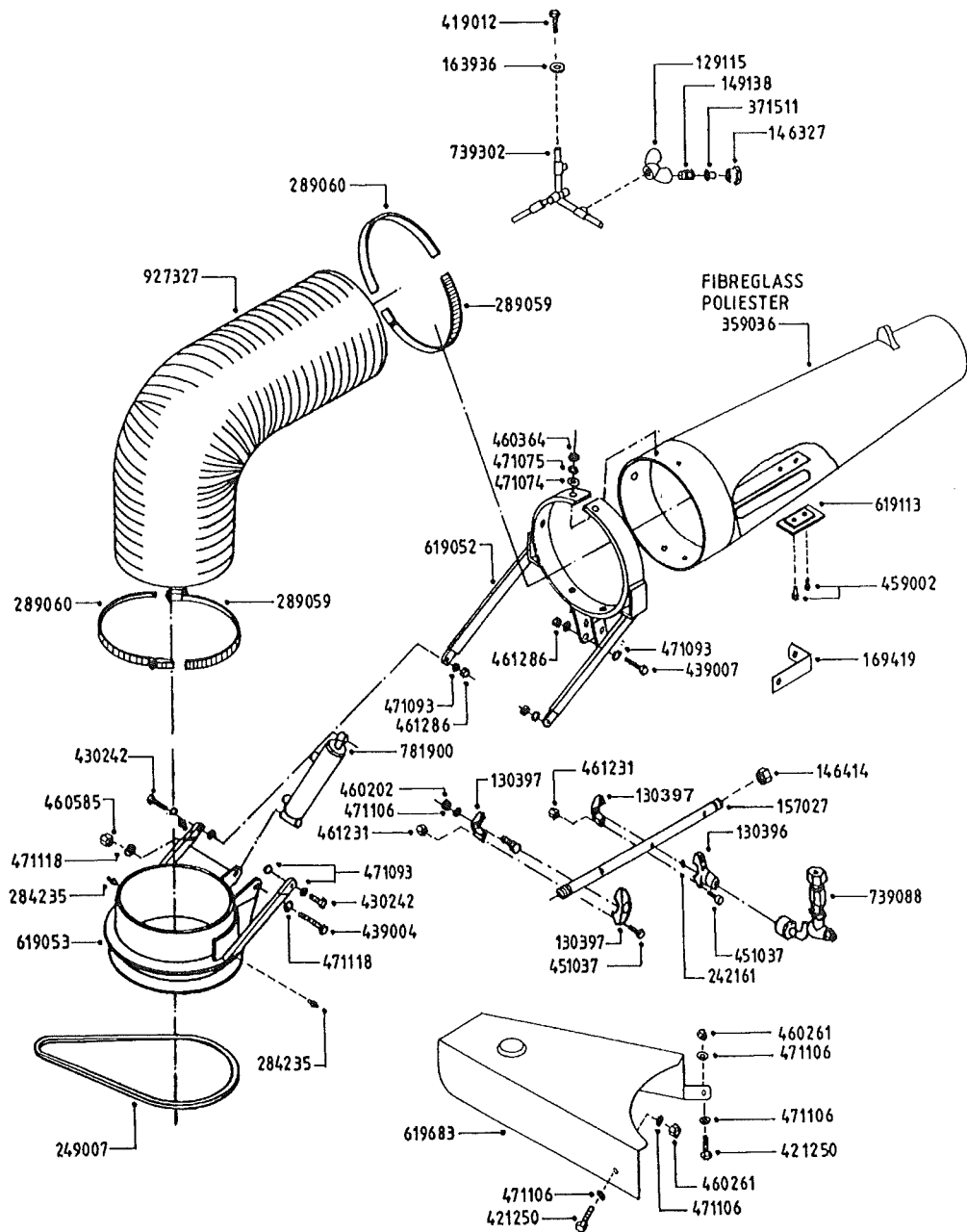
Page 1
Date 21.12.2009 13:45

parts-n°	order qty	description
119016	1	0430155 PULLEY 1 C/A D.68
146422	1	DISC FOR CENTRIFUGAL PUMP
169025	1	STOP BRACKET'S CANNON
283799	1	HY-MOTOR F/COMBI-SWING
333956	1	SLIDE SHOE
349000	1	SEALED RING FOR CANNON
359014	1	AIR DISTRIBUTOR CANNON
420582	1	M 8 X 20 MACH.SCREW DEL.
421046	1	M 8 X 25 SET SCREW
430286	1	M12X30 HEXAGON-HD. SCREW GALV
440086	1	SCREW 4,2X16,0 STAINLESS
450972	1	M.6X15 ALLEN SCREW GALV.
460143	1	M8 SELF LOCK NUT CONTR.UN.GALV
460342	1	M10 NUT GALV.
460364	1	M 8 NUT GALV.
460703	1	M12 SELF LOCK NUT MFC 840
470455	1	SPRING DISC BLACK M12
471071	1	SUPPORT DISC M12 GALVANIZED
471074	1	SUPPORT DISC M8 ELZ
471075	1	LOCK - WASHER M8
471104	1	STAR DISC D-6
471106	1	DISC D 6 ELZ
479003	1	O-RING 8X20X3
619051	1	BRACKET HYDRAULIC MOTOR
619691	1	ESCUADRA SUJECI.CAÑON SIMPLE MR/
639029	1	BRACKET BASE CANNON



CANON - L - P540 SALIDA AIRE
4_438, 20:6-:-0

Page 0
Date 21.12.2009 13:45





CANON - L - P540 SALIDA AIRE
4_438, 20:6--0

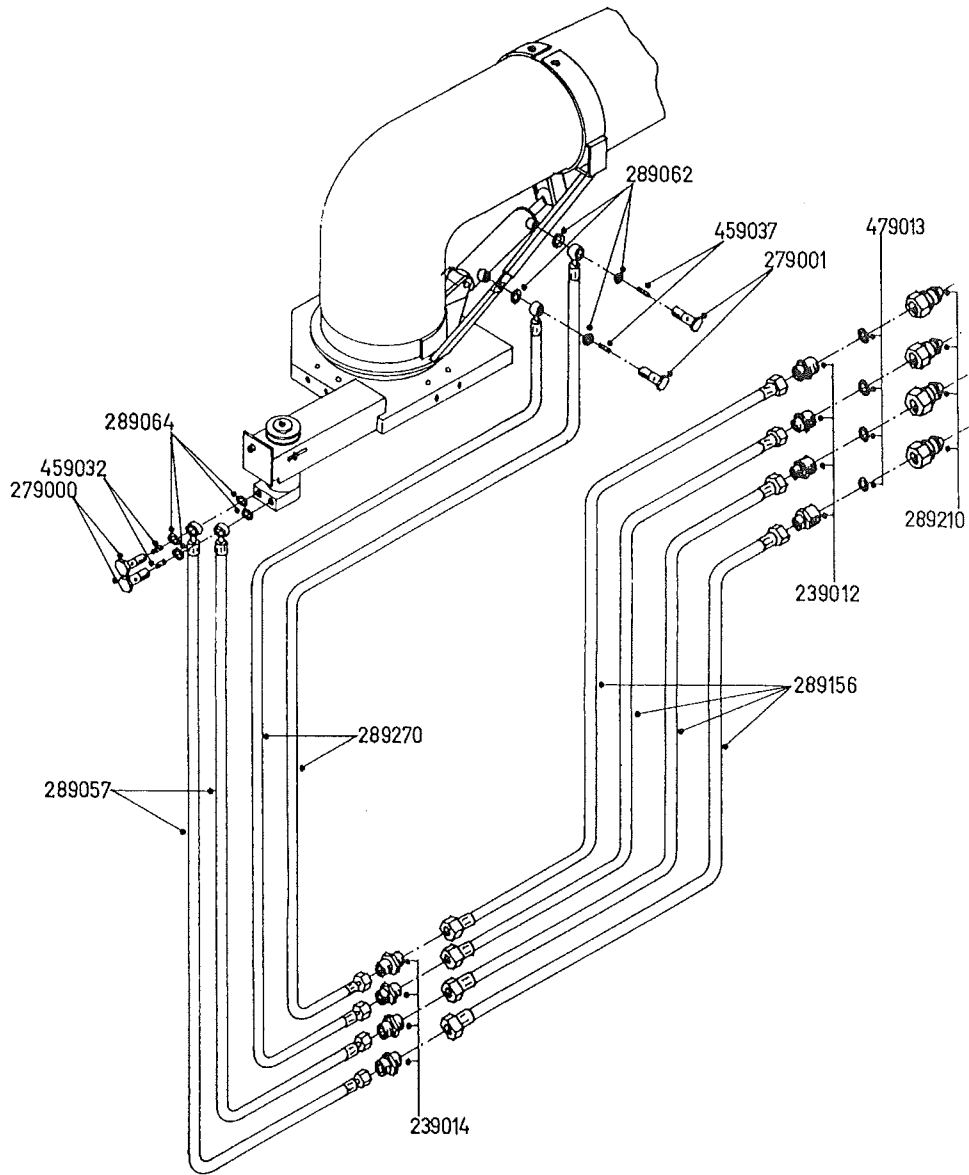
Page 1
Date 21.12.2009 13:45

parts-n°	order qty	description
129115	1	DOUBLE NOZZLE HOLDER 3/8
130396	1	NOZZLE HOUSE DOUBLE
130397	1	NOZZLE HOLDER
146327	1	UNION NUT 3/8" BRASS
146414	1	FINAL STOPPER 22 X 100
149138	1	CONNECTING PIECE F.TRI-JET
157027	1	NOZZLE TUBE CANNON BOTTOM
163936	1	WASHER D 15/6,2 X 1
169419	1	ANGULO SOPORTE TUBO "CAÑON L"
242161	1	O-RING 6 X 3,0
249007	1	BELT FOR CANNON
284235	1	LUBRICATE NIPPLE M 6/100
289059	1	STRAP 130-150
289060	1	STRAP 140-160
359036	1	"CANNON SPOUT" "L" POLIESTER"
371511	1	1299-14 CONE NOZZL.CERAM.ORANG
419012	1	TORN. 5 X 20 C/HEXAG.INOX
421250	1	MACHINE SCREW M6X35 ELZ
430242	1	M14X 45 HEXAGON HEAD SCREW
439004	1	M. 16 X 100 MACH. SCREW GAL
439007	1	BOLT HEX M14 X 70 GALV.
451037	1	HEXAGON SCREW 6X20
459002	1	N10 X 1/2" MASH.SCREW
460202	1	M 6 NUT GALV.
460261	1	M 6 SELF LOCK NUT GALV.
460364	1	M 8 NUT GALV.
460585	1	M16 SELF LOCK NUT GALV.
461231	1	BRASS NUT M6
461286	1	SAFETY NUT M14
471074	1	SUPPORT DISC M8 ELZ
471075	1	LOCK - WASHER M8
471093	1	DISC GALVANISED D-14
471106	1	DISC D 6 ELZ
471118	1	TENSION DISC D 16
619052	1	0130615 SPOUT BRACKET F.CANON
619053	1	0130612 CONSOLE TURNABL CANNON
619113	1	MOUNT PLATE F.AIR SLOT CANNON
619683	1	CTO.CAPO PROTECTOR CANON
739088	1	DOUB.NOZZ.HOLD.NON DR.ADJUST.
739302	1	NOZZLEHOLDER F. CANNON
781900	1	HYDRAULICPISTON150
927327	1	AIR HOSE D 300 CANON



CANON P540 / P540D CIRCUITO
HIDRAULICO
4_439, 20:6--:0

Page 0
Date 21.12.2009 13:45

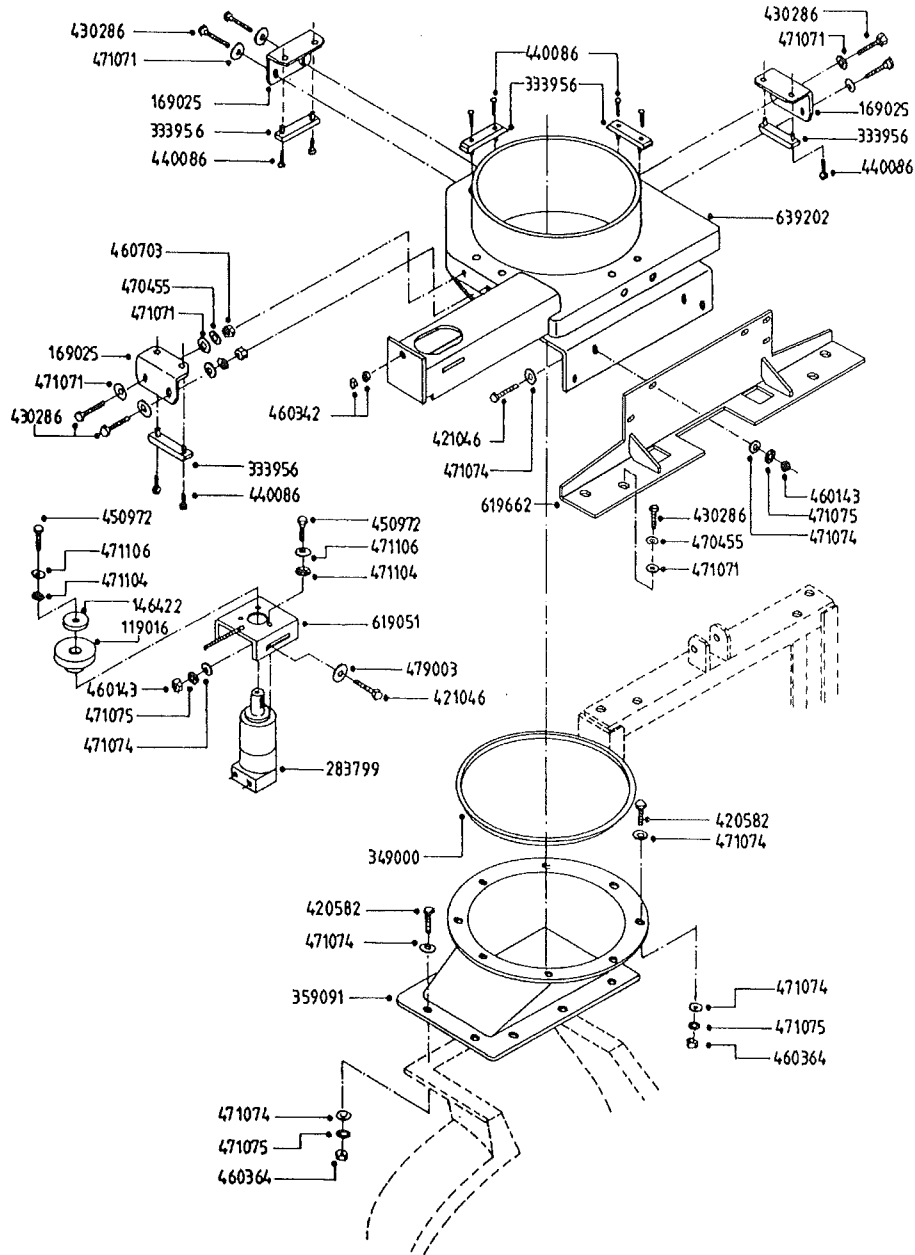




CANON P540 / P540D CIRCUITO
HIDRAULICO
4_439, 20:6--0

Page 1
Date 21.12.2009 13:45

parts-n°	order qty	description
239012	1	CONNECT.PIECE 1/2-3/8 PRESSURE
239014	1	CONNECT.PIECE 3/8-3/8 PRESSURE
279000	1	1/4HYDRAULICSCREEW
279001	1	3/8HYDSCREW
289057	1	HYDR-HOSE 6X5770 OR 1/4'TL3/8'
289062	1	WASHER BUNA HYDR. 3/8'
289064	1	WASHER BUNA HYDR. 1/4'
289156	1	HYDRAULIC HOSE 3/8' - 1400MM
289210	1	RAPID CLUTCH 1/2' MALE
289270	1	HYDRAULIC HOSE 3/8' - 4600MM
459032	1	ALLEN SCREW M 8X6
459037	1	ALLEN SCREW M 10X8
479013	1	WASHER BUNA HYDR. 1/2'





CANON - T - M - P540D SOPORTE
4_440, 20:6--:0

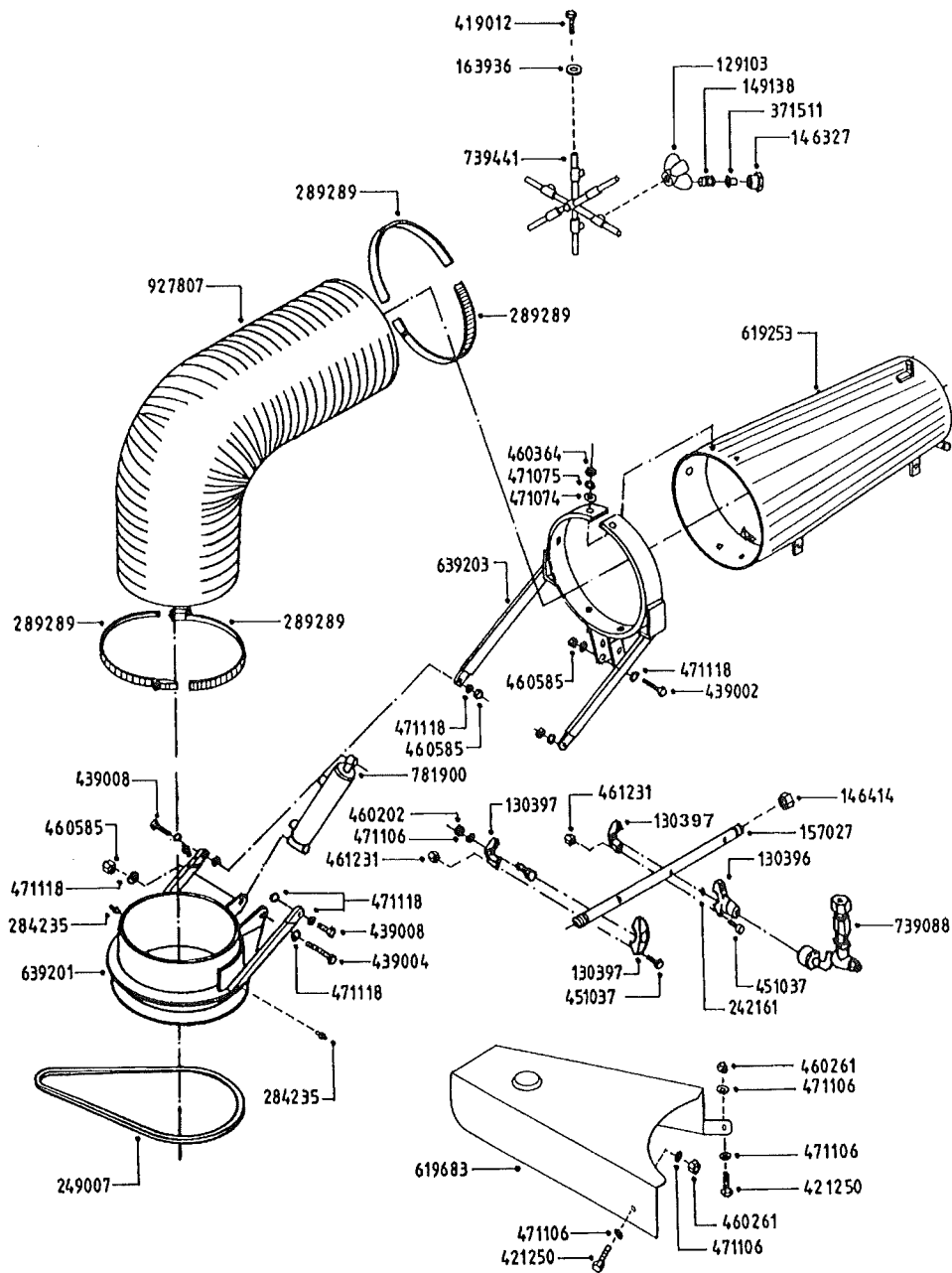
Page 1
Date 21.12.2009 13:45

parts-n°	order qty	description
119016	1	0430155 PULLEY 1 C/A D.68
146422	1	DISC FOR CENTRIFUGAL PUMP
169025	1	STOP BRAKETS CANNON
283799	1	HY-MOTOR F/COMBI-SWING
333956	1	SLIDE SHOE
349000	1	SEALED RING FOR CANNON
359091	1	CONNECTING PIECE DT / HOSE
420582	1	M 8 X 20 MACH.SCREW DEL.
421046	1	M 8 X 25 SET SCREW
430286	1	M12X30 HEXAGON-HD. SCREW GALV
440086	1	SCREW 4,2X16,0 STAINLESS
450972	1	M.6X15 ALLEN SCREW GALV.
460143	1	M8 SELF LOCK NUT CONTR.UN.GALV
460342	1	M10 NUT GALV.
460364	1	M 8 NUT GALV.
460703	1	M12 SELF LOCK NUT MFC 840
470455	1	SPRING DISC BLACK M12
471071	1	SUPPORT DISC M12 GALVANIZED
471074	1	SUPPORT DISC M8 ELZ
471075	1	LOCK - WASHER M8
471104	1	STAR DISC D-6
471106	1	DISC D 6 ELZ
479003	1	O-RING 8X20X3
619051	1	BRACKET HYDRAULIC MOTOR
619662	1	ESCUADRA SUJECION CAÑON DOBLE MR
639202	1	FIXT.F. HYDR.HEAD CANNON DT



CANON - T - P540D SALIDA AIRE
4_441, 20:6--0

Page 0
Date 21.12.2009 13:45





CANON - T - P540D SALIDA AIRE
4_441, 20:6--:0

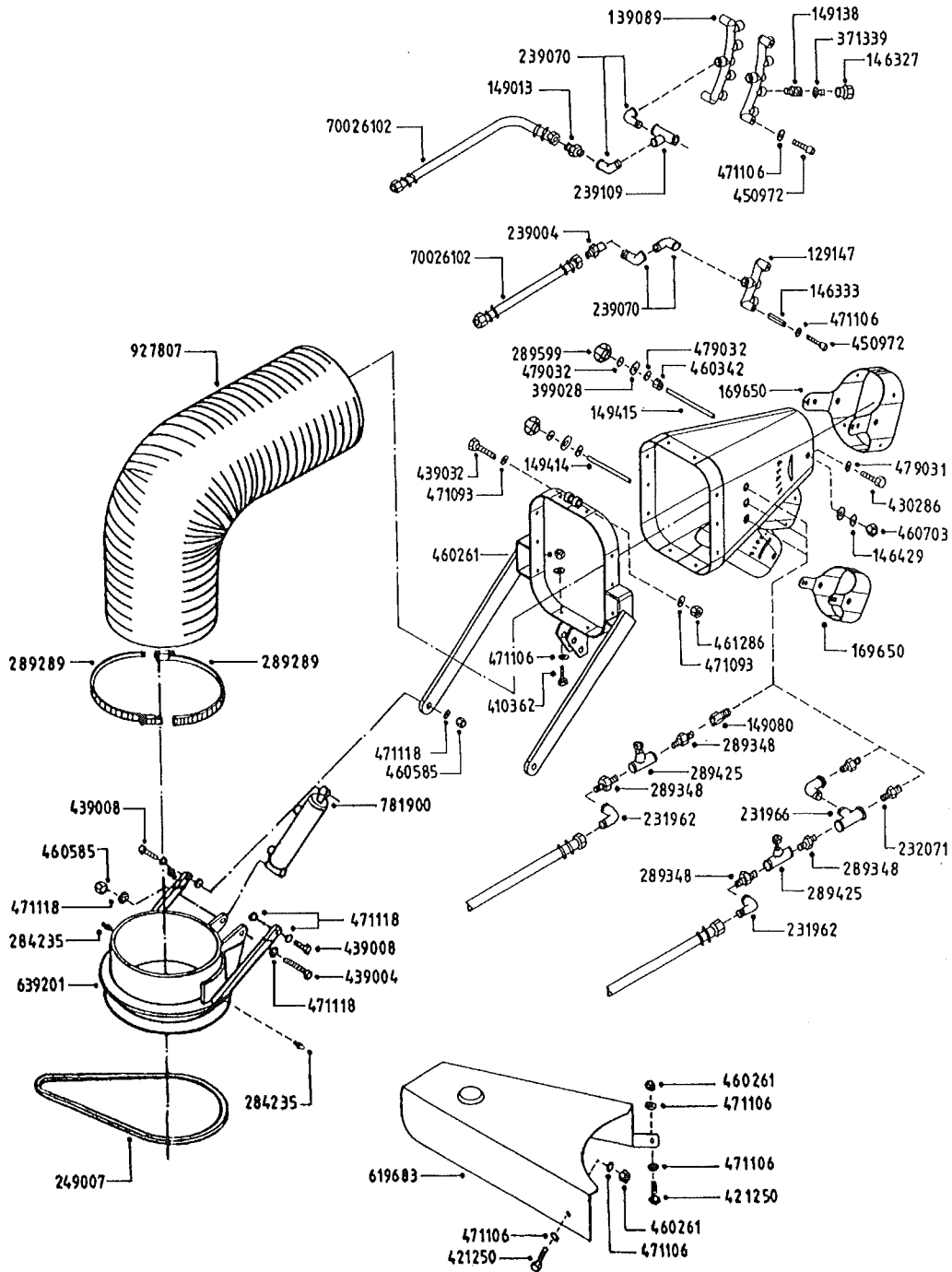
Page 1
Date 21.12.2009 13:45

parts-n°	order qty	description
129103	1	TRI-JET 3/8'
130396	1	NOZZLE HOUSE DOUBLE
130397	1	NOZZLE HOLDER
146327	1	UNION NUT 3/8' BRASS
146414	1	FINAL STOPPER 22 X 100
149138	1	CONNECTING PIECE F.TRI-JET
157027	1	NOZZLE TUBE CANNON BOTTOM
163936	1	WASHER D 15/6,2 X 1
242161	1	O-RING 6 X 3,0
249007	1	BELT FOR CANNON
284235	1	LUBRICATE NIPPLE M 6/100
289289	1	STRAP160-180
371511	1	1299-14 CONE NOZZL.CERAM.ORANG
419012	1	TORN. 5 X 20 C/HEXAG.INOX
421250	1	MACHINE SCREW M6X35 ELZ
439002	1	M. 16 X 70 MACH. SCREW GALV
439004	1	M. 16 X 100 MACH. SCREW GAL
439008	1	M-16X45 MACH.SCREW GALV.
451037	1	HEXAGON SCREW 6X20
460202	1	M 6 NUT GALV.
460261	1	M 6 SELF LOCK NUT GALV.
460364	1	M 8 NUT GALV.
460585	1	M16 SELF LOCK NUT GALV.
461231	1	BRASS NUT M6
471074	1	SUPPORT DISC M8 ELZ
471075	1	LOCK - WASHER M8
471106	1	DISC D 6 ELZ
471118	1	TENSION DISC D 16
619253	1	619253
619683	1	CTO.CAPO PROTECTOR CANON
639201	1	HYDR.HEAD F. HOSE CANNON DT
639203	1	BRACKETAIRSPOUTCANNON
739088	1	DOUB.NOZZ.HOLD.NON DR.ADJUST.
739441	1	739441
781900	1	HYDRAULICPISTON150
927807	1	SPIRALHOSED350GREY



CANON - M - P540D SALIDA AIRE
4_442, 20:6-:-0

Page 0
Date 21.12.2009 13:45





CANON - M - P540D SALIDA AIRE
4_442, 20:6-:-0

Page 1
Date 21.12.2009 13:45

parts-n°	order qty	description
129147	1	HYDROPNEUMATIC MANIFOLD 3 OUT.
139089	1	MANIFOLD
146327	1	UNION NUT 3/8' BRASS
146333	1	THREADED PART M6X20 BRASS
146429	1	SPECIAL DISC 50X4-M-12
149013	1	NIPPLE 1/2' - 3/8' M-M
149080	1	UNION M-F 1/2'
149138	1	CONNECTING PIECE F.TRI-JET
149414	1	VARILLA TRAS.DEF.PRINC.CAÑON -24
149415	1	VARILLA TRAS.DEF.SECUNDA.CAÑON-1
169650	1	CHAPA DEFL.BOCA SECUNDARIA CAÑON
231962	1	BRASS BENDING 1/2'
231966	1	T-PIECE 1/2'
232071	1	HEXAGON NIPPLE 1/2'
239004	1	BUSHING 1/2'-3/8'
239070	1	CODO FIG.92 LATON 3/8
239109	1	TE LATON 3/8" GAS
249007	1	BELT FOR CANNON
284235	1	LUBRICATE NIPPLE M 6/100
289289	1	STRAP160-180
289348	1	ADAPTER 1/2" - 1/4"
289425	1	NON-DRIP
289599	1	POMO TERMOPLASTICO M.10 (4711504
371339	1	CONE NOZZLE W/SWIRL BROWN
399028	1	CASQUILLO NYLON D.40x12x9 mm
410362	1	M6 X 20 HEXAGON-HEADED SCREW .
421250	1	MACHINE SCREW M6X35 ELZ
430286	1	M12X30 HEXAGON-HD. SCREW GALV
439004	1	M. 16 X 100 MACH. SCREW GAL
439008	1	M-16X45 MACH.SCREW GALV.
439032	1	TORN.14 X 65 C/HEXAG.(12.9 DIN-9
450972	1	M.6X15 ALLEN SCREW GALV.
460261	1	M 6 SELF LOCK NUT GALV.
460342	1	M10 NUT GALV.
460585	1	M16 SELF LOCK NUT GALV.
460703	1	M12 SELF LOCK NUT MFC 840
461286	1	SAFETY NUT M14
471093	1	DISC GALVANISISED D-14
471106	1	DISC D 6 ELZ
471118	1	TENSION DISC D 16
479031	1	WASHER
479032	1	WASHER D.10X30X2
619683	1	CTO.CAPO PROTECTOR CANON
639201	1	HYDR.HEAD F. HOSE . CANNON DT
781900	1	HYDRAULICPISTON150
927807	1	SPIRALHOSED350GREY
70026102	1	HOSEUNITY80BAR.D.12x400