



MASCHIO GASPARDO S.p.A.



FBR

OPERATOR'S MANUAL - PARTS BOOK

SICKLE BAR MOWER

Cod. G19502741 2008-12



TABLE OF CONTENTS

Description

Description of the sickle bar mower	5
Assembly drawing	6

Technical specification

Technical specification	7
Handling	7

Safety labels

Safety-Alert labels	8
Identification machine	8
Machine safety labels	8

Machine safety labels and position

Machine safety labels and position	9
--	---

Preparing the tractor

Preparing the tractor	10
Parking instruction	10
Stay clear of rotating drivelines	10

Installing

Installing sickle bar mower on tractor	10
PTO shaft adaptation	12
Stability of sickle bar and tractor during transport	13
Parking instruction	14
Stay clear of rotating drivelines	14

Removing

Removing sickle bar mower	15
---------------------------------	----

Operating

Operate safely	16
Wear appropriate clothing	17
Stay clear of rotating drivelines	17
Adapting the sickle bar mower	18
Adjustment	19
Mowing	20
Hazard bar	21
Using the lifting device	22
Operation of lifting device	22
Mowing on flat ground	23
Mowing on slopes	24
How to choose between sickle bars	25

Operating - Quick Coupler

Quick Coupler	26
Removing sickle bar mower with Quick Coupler	26

Service Machine Safely

Practice safe maintenance.....	27
Wear appropriate clothing	27
Stay clear of rotating PTO shaft	27
Maintenance	27

Service

Lubrication	29
Routine maintenance	29
Every 8 work hours	29
Every 50 work hours	29
Periodically (6 months)	29
After each mowing job	29
Cleaning and oiling the sickle bar	30
Checking the clearance tolerance.....	30
Storage	31
Extra maintenance	32
Replacement of section-holding bar	32
Replacement of sections	32
Replacement of bar holding removable tooth .	33
Replacement of removable tooth	33
Replacement of belts	33
Replacement of pulleys	33

Transport on road

Transport on road	34
-------------------------	----

Demolition and disposal

Demolition and disposal	35
-------------------------------	----

Assembly

Assembly	36
----------------	----

Spare parts

Spare parts	45
-------------------	----

Warranty

Warranty	56
Warranty for replacement parts	57

TO THE DEALER:

Assembly and proper installation of this product is the responsibility of the MASCHIO dealer. Read manual instruction and safety rules. Make sure all items on the Dealer's Pre-Delivery Check List in the Operator's Manual are completed before releasing equipment to the owner.

The dealer must complete the Warranty Registration, located on the MASCHIO website. **Warranty claims will be denied if the Warranty Registration has not been completed.**

TO THE OWNER:

Read this manual before operating your frontier equipment. The information presented will prepare you to do a better and a safer job. Keep this manual handy for ready reference. Require all operators to read this manual carefully and become acquainted with all the adjustment and operating procedures before attempting to operate. Replacement manuals can be obtained from your selling dealer.

The equipment you have purchased has been carefully engineered and manufactured to provide dependable and satisfactory use. Like all mechanical products, it will require cleaning and upkeep. Lubricate the unit as specified. Observe all safety information in this manual and safety decals on the equipment.

For service, your authorized MASCHIO dealer has trained mechanics, genuine MASCHIO service parts, and the necessary tools and equipment to handle all your needs.

Use only genuine MASCHIO service parts. Substitute parts will void the warranty and may not meet standards required for safe and satisfactory operation. Record the model number and serial number of your equipment in the spaces provided:


Model: _____ **Date of Purchase** _____


Serial Number: (see Safety Decal section for location) _____


Provide this information to your dealer to obtain correct repair parts.

Throughout this manual, the term **IMPORTANT** is used to indicate that failure to observe can cause damage to equipment. The terms **CAUTION**, **WARNING** and **DANGER** are used in conjunction with the Safety-Alert Symbol, (a triangle with an exclamation mark), to indicate the degree of hazard for items of personal safety.

! This Safety-Alert Symbol indicates a hazard and means ATTENTION! BECOME ALERT! YOUR SAFETY IS INVOLVED!

 **DANGER** Indicates an imminently hazardous situation that, if not avoided, will result in death or serious injury.

 **WARNING** Indicates a potentially hazardous situation that, if not avoided, could result in death or serious injury, and includes hazards that are exposed when guards are removed.

 **CAUTION** Indicates a potentially hazardous situation that, if not avoided, may result in minor or moderate injury.

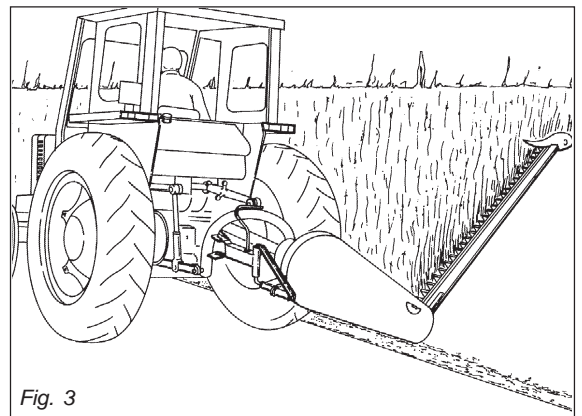
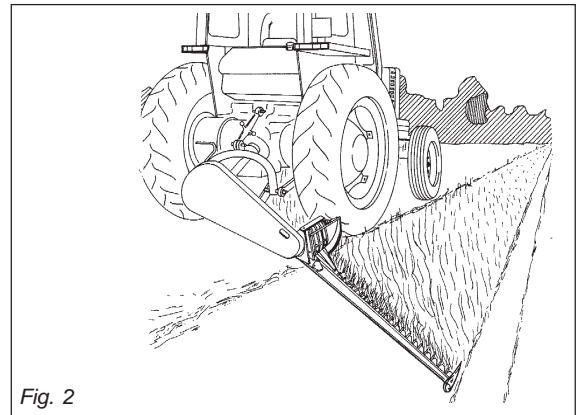
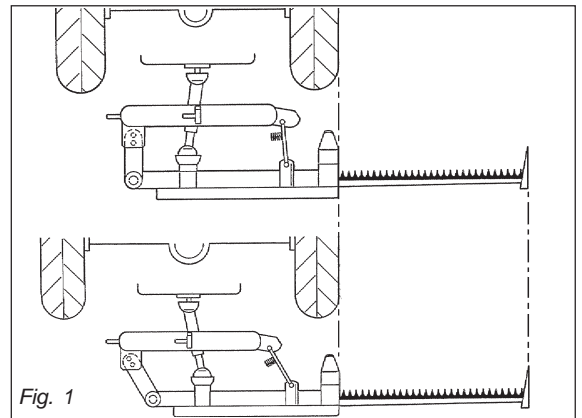
IMPORTANT Indicates that a failure to observe can cause damage to equipment.

NOTE Indicates helpful information.

DESCRIPTION

Description of the sickle bar mower

This agricultural implement can only operate by means of a cardan shaft applied to the pto of an agricultural tractor equipped with lift and universal three-point hitch. Since it is movable, the mowing machine can be easily mounted on tractors with different gauges or on tracked vehicles (Fig. 1). The two-motion tooth-blade system used in mowing machines, makes possible a scissors cut which leads to a high speed operation on any crop. The original tooth-blade motion guarantees a sharp and clean cut on any type of grass, be it damp or flattened. It is thanks to the total absence of soil which this mowing system does not raise, sharp because the stems are not frayed. The sickle bar may also be used with the cutting arm tilted for working on canals, ditches and embankments (Fig. 2 and 3).



! ATTENTION
The sickle bar is suitable only for the uses indicated. Any other use different from that described in these instructions could cause damage to the machine and represent a serious hazard for the user.

It is therefore advisable to strictly comply with the following instructions in order to prevent faults which could jeopardize the correct and long-lasting operation of the implement. Compliance with the instructions in this handbook is also important since **the Manufacturer declines all and every responsibility for damage to persons or property caused by negligence and failure to comply with these instructions.**

The Manufacturer shall, however, remain at the customers' disposal for immediate and thorough assistance together with anything else that may be required in order to ensure the correct operation and maximum efficiency of the implement.

The Manufacturer reserves the right to make any modifications and improvements to the implement as may be considered opportune, without being obliged to immediately inform the user.

DESCRIPTION

Assembly drawing

- 1 External shoe;
- 2 Mowing guide;
- 3 Cutting arm;
- 4 Upper 3rd point hitches;
- 5 Gauge varying articulation;
- 6 Chassis;
- 7 Tirant;
- 8 Lower 3rd point hitches;
- 9 Hazard bar;
- 10 Support;
- 11 Identification label;
- 12 Cover;
- 13 Protective casing for connecting-rod systems;
- 14 Support;
- 15 Hinge (pivot point);
- 16 Blade guard;
- 17 PTO;
- 18 Lift link adjuster chain;
- 19 Bar height adjuster chain;
- 20 Hoisting arm.

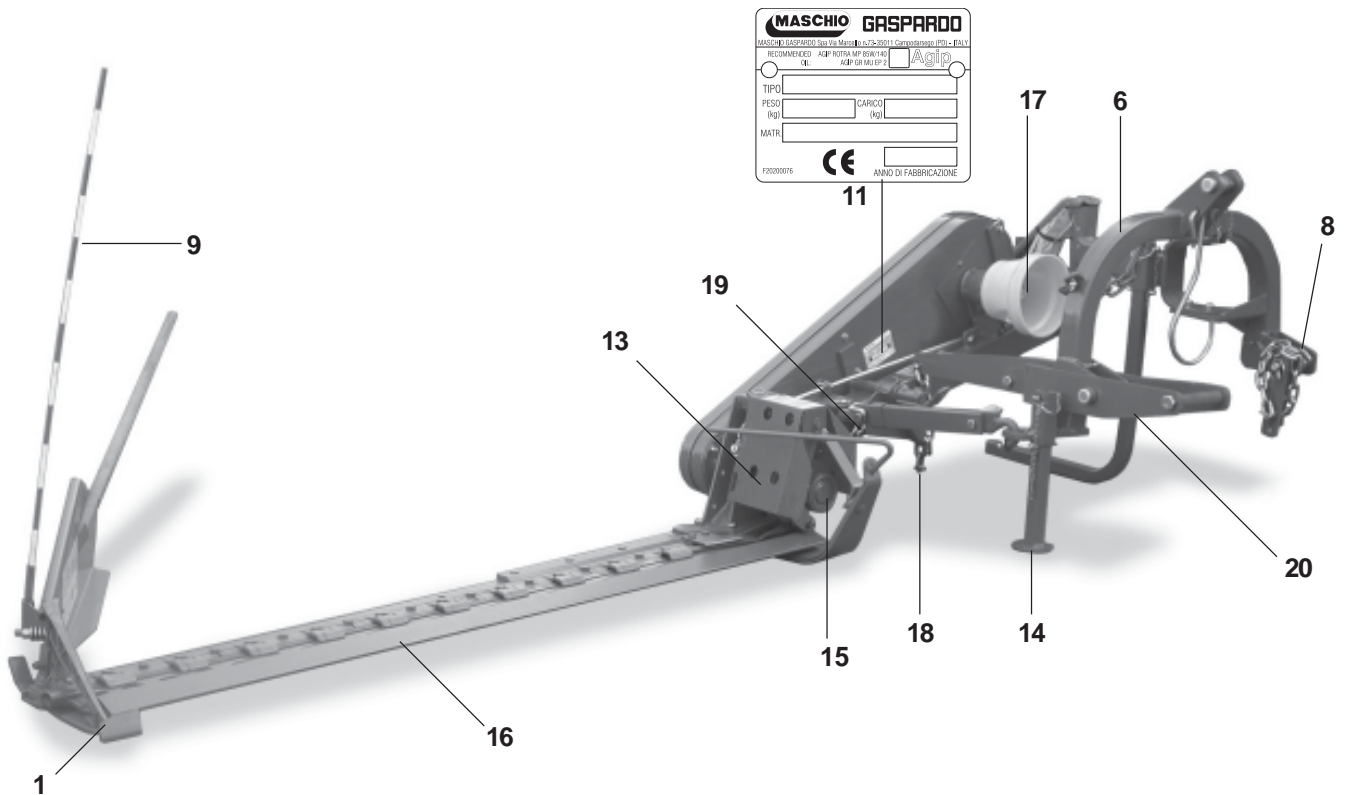
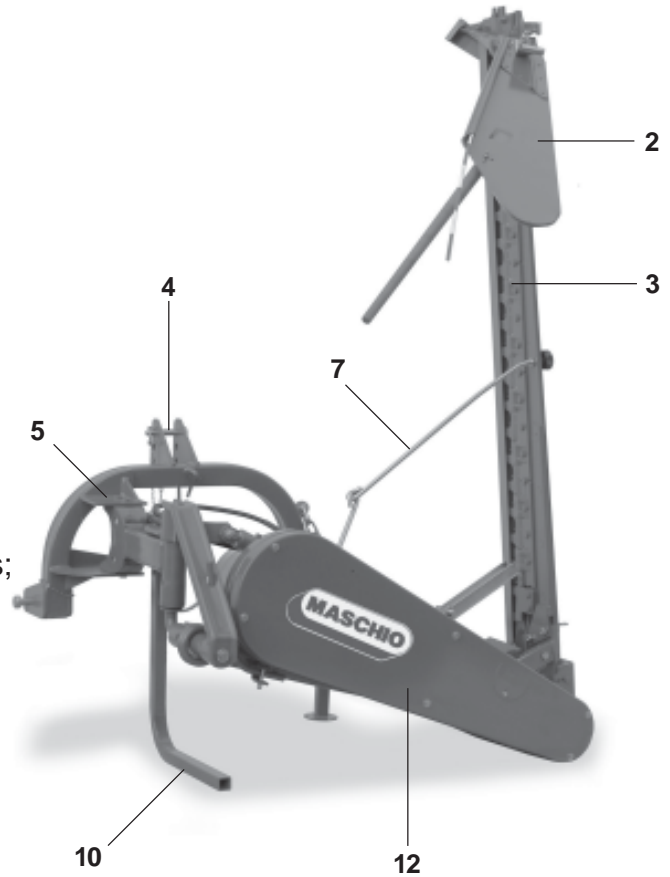
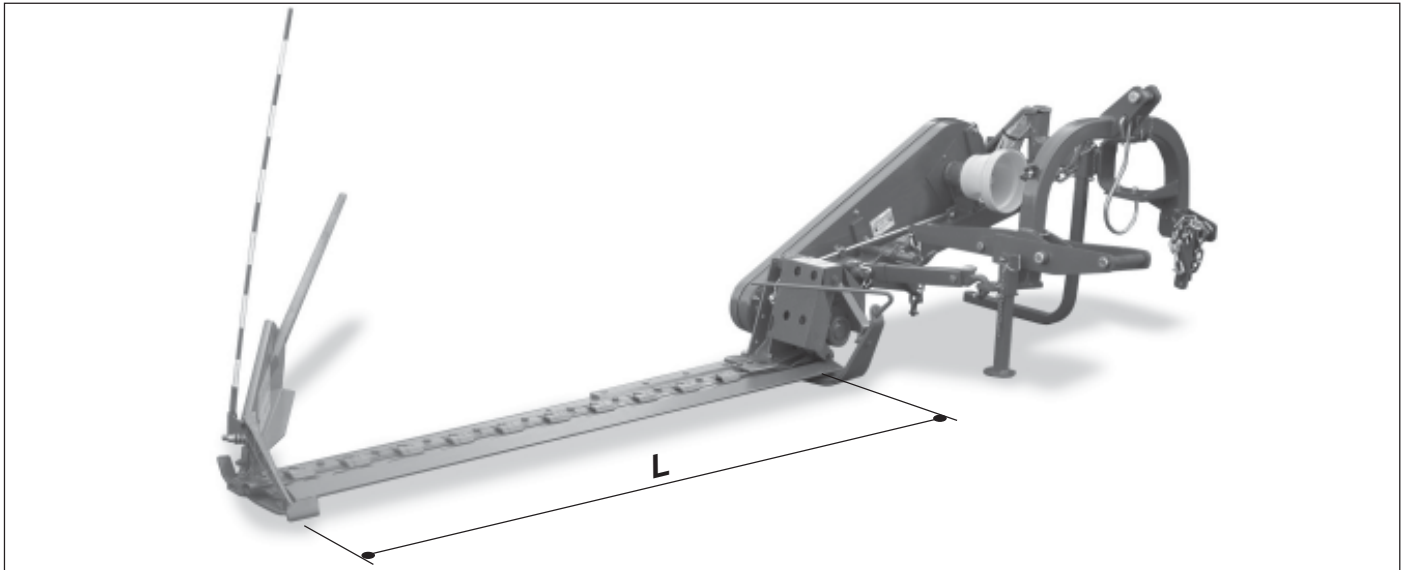


Fig. 4

TECHNICAL SPECIFICATIONS



Model	Work/width inches L	Tractor HP min. - max.	Weight lbs.	Tooth number	Sections number	Side Drive	Work speed miles/h	PTO Input speed	Hitch	Acoustic power level uttered bay machine (Weighed A) L_{WA}	Continuous equivalent acoustic radiation pressure level (Weighed A) in the "worker's position" L_{PA}
FBR 1.30	51.2	25 - 50	423	9	18	Belts B-93	6.2 ÷ 7,5	540	Cat. "I" Cat. "II"	110.7 dB	91.7 dB
FBR 1.45	57.1	25 - 50	429	10	20	Belts B-93	6.2 ÷ 7,5	540	Cat. "I" Cat. "II"	110.7 dB	91.7 dB
FBR 1.75	68.9	25 - 50	456	12	24	Belts B-93	6.2 ÷ 7.5	540	Cat. "I" Cat. "II"	110.7 dB	91.7 dB
FBR 2.05	80.7	25 - 50	470	14	28	Belts B-93	6.2 ÷ 7.5	540	Cat. "I" Cat. "II"	110.7 dB	91.7 dB

Handling

During handling operations, use suitable personal protection devices:



If the machine is handled, it must be lifted by hooking (Fig. 5) onto the appropriate holes with a suitable winch or crane of sufficient capacity. Because of the danger involved, this operation should be carried out by trained and responsible personnel. The mass of the machine is on the identification label (11 Fig. 4).

Stretch the rope to keep the machine level.

The lifting points can be detected by finding the symbol (8 page 9).

During handling operations make sure the implement has the required safety devices and guards.



Fig. 5

SAFETY LABELS

Safety-alert labels

Read and recognize safety information.

Be alert to the potential for personal injury when you see this safety-alert labels.



On your machine safety labels, the words DANGER, WARNING, and CAUTION are used with a safety symbols. DANGER identifies the most serious hazards. In this manual, the word CAUTION and this symbol call attention to safety messages.

Identification machine

Identification label

Machine safety labels

1) CAUTION: AVOID INJURY

- Read Operator's Manual
- Ballast power unit per operator's manual
- Know location and function of controls
- Keep all shields in place
- Stay clear of power driven parts
- Never carry riders
- Keep people and pets a safe distance away from machine

BEFORE DISMOUNTING OR SERVICING

- Shut off engine and remove key
- Lock brake for park
- Lower or block up machine

2) CAUTION

- 1 Keep all shields in place.
- 2 Disengage and shut off all engine and/or motor power before servicing or unclogging machine.
- 3 Keep hands, feet and clothing away from power-driven parts.

3) DANGER: CRUSHING AND PINCH POINTS

MOVING MACHINERY PARTS CAN:

- 1° PINCH OR CRUSH OR FALL
- 2° WHICH MAY CAUSE INJURY OR DEATH.

4) DANGER

Entanglement in rotating driveline can cause serious injury or death.
Keep all shields in place.
Avoid contact with rotating parts.

5) DANGER: KEEP AWAY - SHARP BLADES

- Do not put hands or feet near the cutterbar. Blade contact can result in serious injury.
- Stay away until all motion has stopped and the mower is securely blocked up.
- Keep fingers clear of cutterbar when folding cutterbar for transport.

6) CAUTION

Operate only with 540 rpm PTO

MASCHIO		GASPARDO	
MASCHIO GASPARDO Spa Via Marcello n.73-35011 Campodarsego (PD) - ITALY			
RECOMMENDED	AGIP ROTRA MP 85W/140	<input type="checkbox"/>	Agip
OIL:	AGIP GR MU EP 2		
TIPO	<input type="text"/>		
PESO (kg)	<input type="text"/>	CARICO (kg)	<input type="text"/>
MATR.	<input type="text"/>		
F20200076		<input type="text"/>	ANNO DI FABBRICAZIONE

MACHINE SAFETY LABELS AND POSITION

1

! CAUTION

AVOID INJURY

- READ OPERATOR'S MANUAL
- Ballast power unit per operator's manual
- Know location and function of controls
- Keep all shields in place
- Stay clear of power driven parts
- Never carry riders
- Keep people and pets a safe distance away from machine

BEFORE DISMOUNTING OR SERVICING

- Shut off engine and remove key
- Lock brake for park
- Lower or block up machine

2

! CAUTION

1. Keep all shields in place.
2. Disengage and shut off all engine and/or motor power before servicing or unclogging machine.
3. Keep hands, feet and clothing away from power-driven parts.

3

! DANGER



CRUSHING AND PINCH POINTS
MOVING MACHINERY PARTS CAN PINCH OR CRUSH OR FALL - WHICH MAY CAUSE INJURY OR DEATH.

4

! DANGER



Entanglement in rotating driveline can cause serious injury or death.
Keep all shields in place.
Avoid contact with rotating parts.

5

! DANGER

KEEP AWAY SHARP BLADES

- Do not put hands or feet near the cutterbar.
- Blade contact can result in serious injury.
- Stay away until all motion has stopped and the mower is securely blocked up.
- Keep fingers clear of cutterbar when folding cutterbar for transport.

6

! CAUTION

Operate only with 540 rpm PTO

7



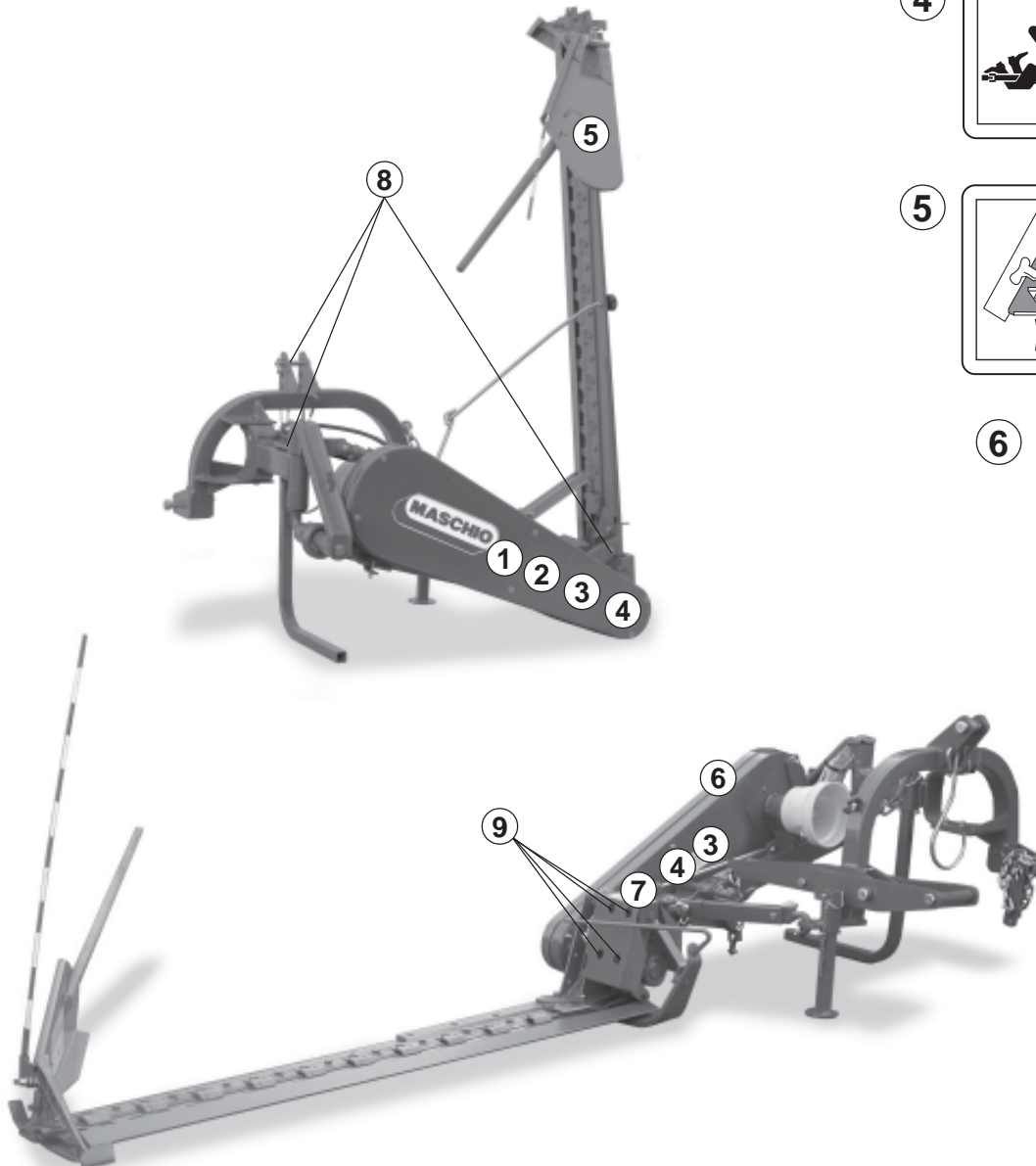

8



9



GREASE



- 7) High noise level. Use adequate acoustic protection.
- 8) Coupling point for lifting.
- 9) Greasing point.

PREPARING THE TRACTOR

Preparing the tractor



CAUTION: Avoid injury. Proper ballastings is required for safe operation of your sickle bar mower

IMPORTANT: Refer to the tractor operator manual for proper ballasting information and tire inflation

- A 540 rpm PTO
- Refer to the tractor operator manual for correct ballasting and tire pressure, depending on installed equipment.

Parking instruction

- Stop vehicle on a level surface, not on a slope.
- Disengage PTO.
- Engage the park brake.
- STOP the engine.
- Remove the key.
- Before you leave the operator's seat, wait for engine and all moving parts to STOP.

Stay clear of rotating drivelines

Entanglement in rotating driveline can cause serious injury or death:

- Wear close fitting clothing.
- STOP the engine and be sure PTO driveline is stopped before getting near it.

Installing sickle bar on tractor

The sickle bar can be hitched to I, II or quick coupler category tractor equipped with a universal three-point coupling.



DANGER

Application of any implement to a tractor is a very dangerous operation and must only be carried out with the utmost care in compliance with the instructions.

The correct tractor/sickle bar position is established by setting the implement at such a distance from the tractor that the universal coupling remains 2-4 inches from its maximum closing position. Now proceed in the following way:

1. Back tractor into position and align draft links (A, Fig. 6) with draft link brackets on sickle bar.



CAUTION: Before you work around hitch:

- STOP engine.
- LOCK park brake.
- FIRMLY block mower on horizontal surface.

2. Connect the upper third-point and correctly regulate by adjusting the top link (B, Fig. 7). Place plate (C, Fig. 7) at the left side of the hitch integral with the same pin. Lock in place with the snap-in split pins (D, Fig. 8).

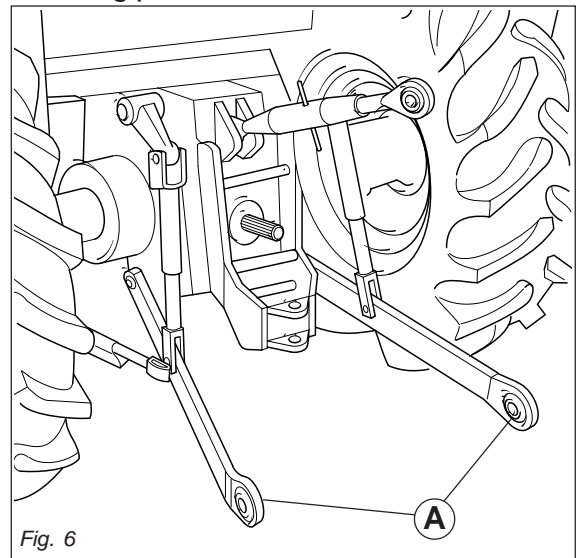


Fig. 6

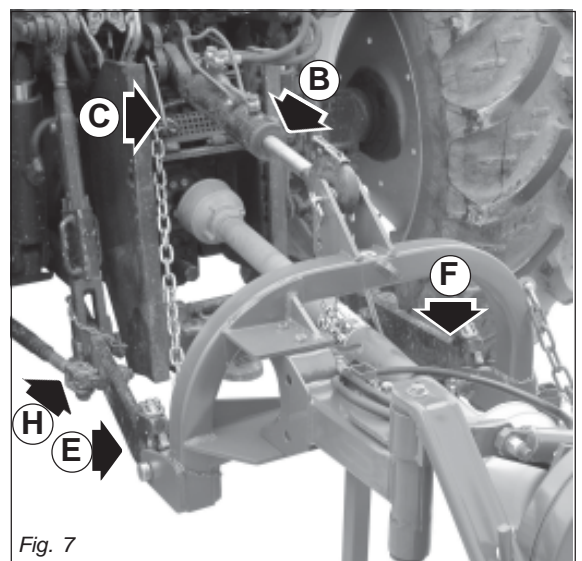


Fig. 7

INSTALLING

- Hook the oscillating arms of the tractor to pins (E and F, Fig. 7). Lock in place with the snap-in split pins (G Fig. 8)
- Lock the lift links using the relative chains (H, Fig. 7) and couplings parallel to the tractor. This operation must be carried out to prevent the machine from moving in a horizontal direction.

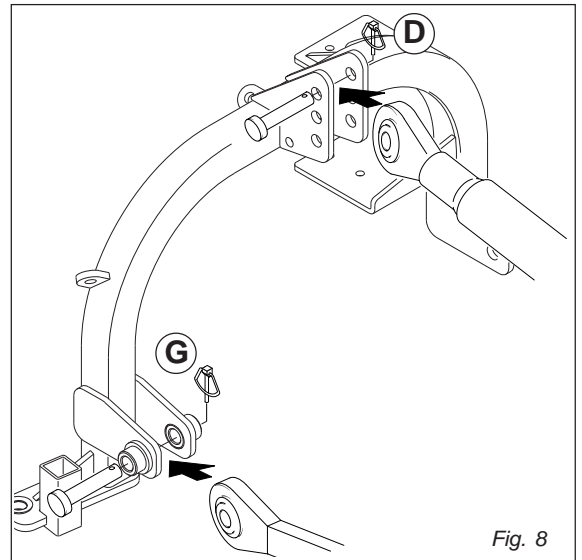


Fig. 8

- Install PTO shaft to tractor (Fig. 9).

IMPORTANT: Sickle bar MUST BE level front to rear.

Make sure PTO shaft is locked on the tractor PTO prior to engagement (I). Check that the guard (L) is free to turn and fix it with the relative latch (L1).

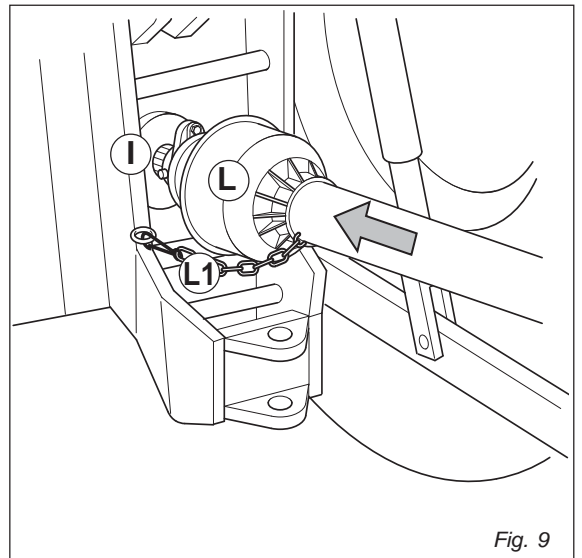


Fig. 9

- Remove the guard over the cutters (16, Fig. 4) and remove the tirant (7, Fig.4).
- Lift-up sickle bar.
- Remove spring locking pin (M, Fig. 10) from parking stand.
- Remove support (N and O, Fig. 10) and remount them, upside-down in their seat .
- Fasten with spring locking pin (M, Fig. 10).

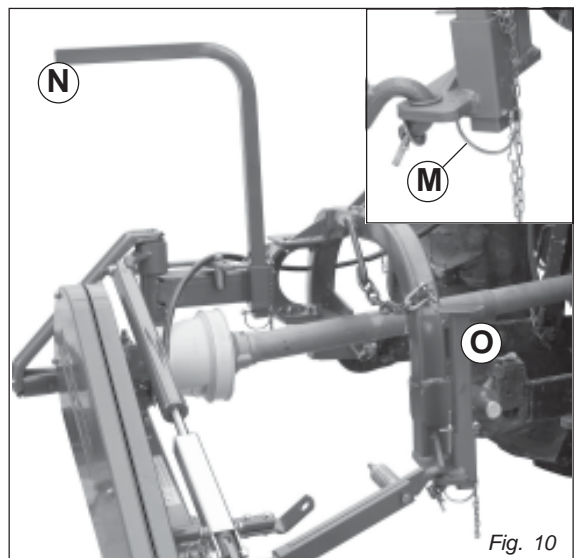


Fig. 10

INSTALLING

PTO shaft adaption

The PTO shaft, supplied with the machine, is of standard length. Therefore it might be necessary to adapt the PTO shaft. Consult your dealer for the eventual adaptation.

- The equipment installed can only be controlled by means



CAUTION

- When the PTO shaft is fully extended, the two tubes must overlap by at least 6 inches (Q Fig. 11). When fully inserted, the minimum play must be $1\frac{37}{64}$ inches (R Fig.11).
- If the implement is used on another tractor, always check the above and that the guards completely cover the rotating parts of the PTO shaft.

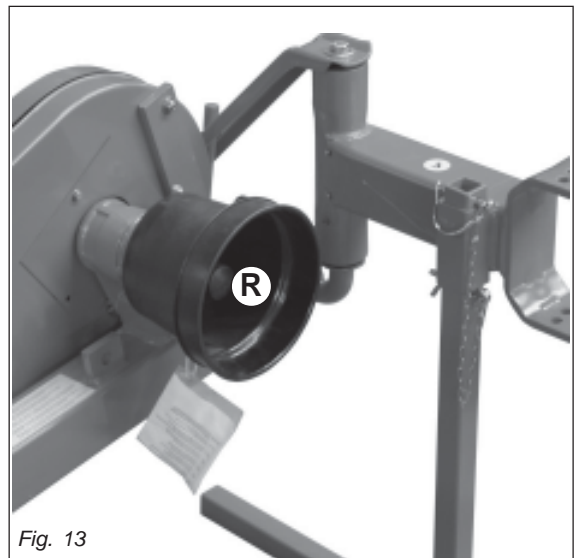
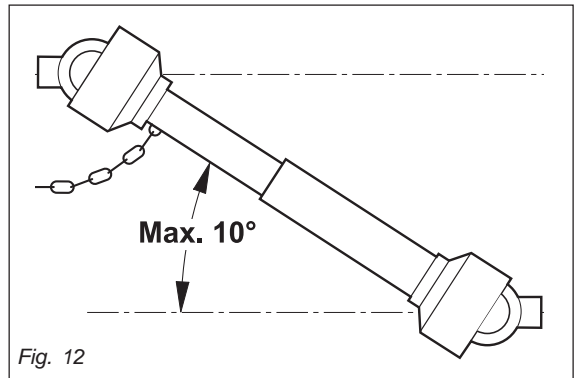
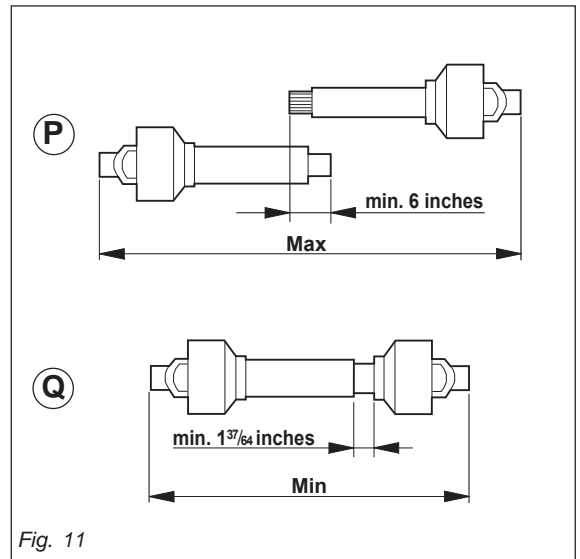


ATTENTION

Comply with the manufacturer's instructions when transporting the mowing machine.

of the PTO shaft complete with the necessary overload safety (i.e. clutch) devices and guards fastened with the appropriate chain.

- Only the PTO shaft supplied by the Manufacturer must be used.
- The engine must not be running when installing and removing the PTO shaft.
- Care must be taken regarding the safety and correct assembly of the PTO shaft.
- Use the chain provided to stop the PTO shaft from rotating.
- Always check carefully that the PTO shaft guard is always in position, both during transportation and operation.
- Frequently and set intervals check the PTO shaft guard, it must always be in excellent condition.
- Before engaging the PTO, check that the set rpm corresponds to that indicated by the sticker on the equipment.
- Before inserting the PTO, make sure that there are no people or animals nearby and that the rpm selected corresponds to that permitted. Never exceed the maximum admissible speed.
- Watch out for the rotating universal joint.
- Do not insert the PTO with the engine off or synchronized with the wheels.
- Always disconnect the PTO when the cardan shaft is at too wide an angle (never more than 10° , Fig. 12) and when it is not being used.
- Only clean and grease the PTO shaft when the power take-off is disconnected, the engine is off, the hand brake pulled and the key removed.
- When not in use, place the PTO shaft on the support provided for it.
- After having dismantled the PTO, place the protective cover on the PTO shaft (R, Fig. 13).



INSTALLING

Stability of sickle bar and tractor during transport

When a sickle bar is coupled to a tractor, so becoming an integral part of it for the purposes of road travel, the stability of the sickle bar-tractor complex may change and cause driving or operating difficulties (rearing up or side-slipping of the tractor). The condition of equilibrium can be restored by placing a sufficient number of ballasts on the front of the tractor so that the weights on the two tractor axles are distributed sufficiently evenly. To work in safety the instructions given in the highway code should be followed; these prescribe that at least 20% of the weight of the tractor alone should be borne by the front axle and that the weight on the arms of the hoist should not be more than 30% of the weight of the tractor itself. These factors are summarized in the following formulas:

$$Z > \frac{(M \times s) - (0.2 \times T \times i)}{(d+i)}$$

The symbols have the following meanings (please see Fig. 14 for reference):

- M** (Kg) Mass weighing on arms off hoist with full load (weight + mass, see *Identification Label Machine* - page 8).
- T** (Kg) Mass of tractor.
- Z** (Kg) Total mass of ballast.
- i** (m) Tractor wheelbase, that is, the horizontal distance between the tractor axles.
- d** (m) Horizontal distance between the centre of gravity of the ballast and the front axle of the tractor.
- s1** (m) Horizontal distance between the inferior point of attachment of the equipment and the posterior axle of the tractor (equipment supported to the ground).
- s2** (m) Horizontal distance between the barycentre of the equipment and the inferior point of attachment of the equipment (equipment supported to the ground).

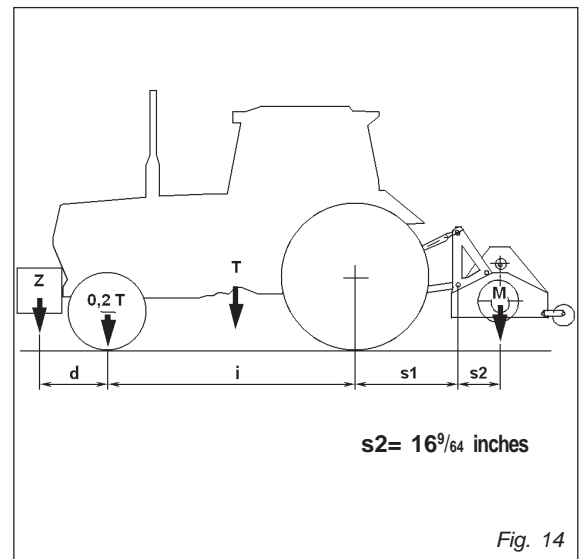


Fig. 14

The amount of ballast that should be applied according to the formula is the minimum required for circulation on the road. If for reasons of tractor performance or to improve the set-up of the sickle bar during operation it is thought necessary to raise these values, please refer to the registration document of the tractor to check its limits. When the formula for calculating the ballast gives a negative result it will not be necessary to add any weight. In any case, as long as the limits of the tractor are respected, a suitable quantity of weights may be applied in order to ensure greater stability during travel. Check that the tractor tyres are suitable for the load.

INSTALLING

Parking instructions

- Stop vehicle on a level surface, not on a slope.
- Disengage PTO.
- Engage the park brake.
- STOP the engine.
- Remove the key.
- Before you leave the operator's seat, wait for engine and all moving parts to STOP.

Stay clear of rotating drivelines

Entanglement in rotating driveline can cause serious injury or death:

- Wear close fitting clothing.
- STOP the engine and be sure PTO driveline is stopped before getting near it.



REMOVING

Removing sickle bar mower

The sickle bar must be set-up on flat and compact ground, supported by the relative supports (A and B, Fig. 15).

1. Raise sickle bar.
2. Put parking stand (A and B, Fig. 15) in the DOWN position: install spring locking pin in order to secure parking stand (C, Fig. 15).
3. Lower sickle bar to the ground.



CAUTION: Before you work around hitch:

- STOP engine.
- LOCK park brake.
- FIRMLY block mower on horizontal surface.

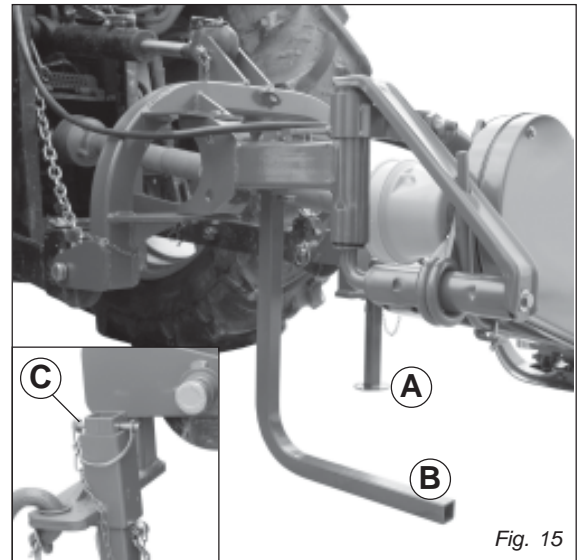


Fig. 15

4. Unhook the PTO shaft (, Fig. 16) from the tractor and put in on the special hook.
5. Remove quik-lock pin (D, Fig. 17) and pin (E, Fig. 17) from center link (F, Fig. 17).

NOTE: Put quik-lock pins and pins back into brackets on sickle bar for storage.

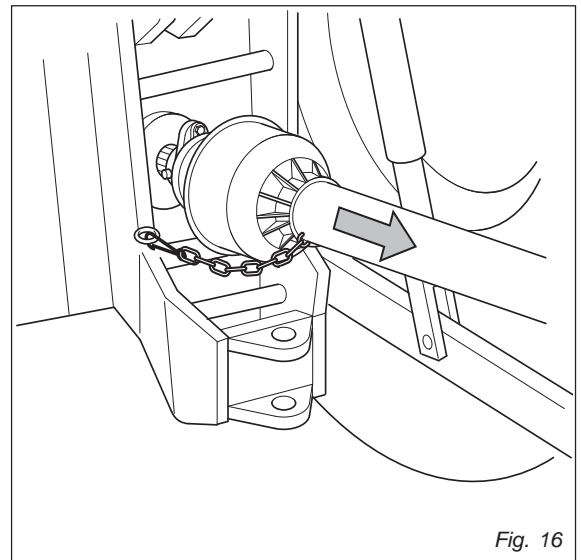


Fig. 16

6. Remove draft links (J, Fig. 17) from draft link brackets (G, Fig. 17) by removing quiklock pins (H, Fig. 17) and pins (I, Fig. 17).

NOTE: Put quik-lock pins and pins back into brackets on sickle bar for storage.

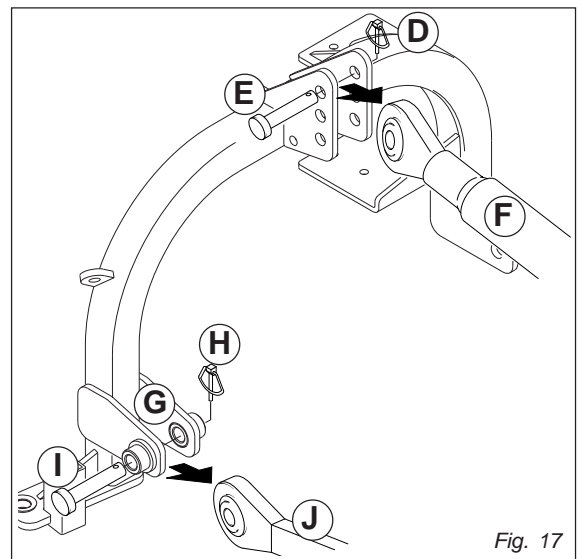


Fig. 17

7. Drive tractor forward slowly.

OPERATING

Operate safely

Carefully read all the instructions before using the machine; if in doubt, contact the technicians of the Manufacturer's dealer. The manufacturer declines all responsibility for the non-observance of the safety and accident prevention regulations described below.

General norms

- 1) Pay close attention to the danger signs in this manual and on the sickle bar.
- 2) The labels with the instructions attached to the machine give abbreviated advice for avoiding accidents.
- 3) Carefully observe, with the help of the instructions, the safety and accident prevention regulations.
- 4) Avoid touching moving parts in any way whatsoever.
- 5) Any work on and adjustment to the machine must always be done with the engine switched off and the tractor blocked.
- 6) People or animals must not, under any circumstances, be transported on the equipment.
- 7) It is strictly prohibited to drive the tractor, or allow it to be driven or with the equipment attached by persons not in possession of a driver's license, an expert or in poor conditions of health.
- 8) Before starting the tractor and the equipment, check that all safety devices for transport and use are in perfect working order.
- 9) Before starting up the equipment, check the area surrounding the machine to ensure that there are no people, especially children or pets, nearby, and ensure that you have excellent visibility.
- 10) Use suitable clothing. Avoid loose clothing or garments with parts that could in any way get caught in the rotating or moving parts of the machine.
- 11) Before starting work, familiarize yourself with the control devices and their functions.
- 12) Only start working with the equipment if all the protective devices are in perfect condition, installed and in the safe position.
- 13) It is absolutely prohibited to stand within the machine's radius of action where there are moving parts.
- 14) It is absolutely forbidden to use the equipment without the guards.
- 15) Before leaving the tractor, lower the implement coupled to the lift unit, stop the engine, engage the hand brake, remove the ignition key from the control panel, cover the cutters and outer skid with the relative guards. Raise the mowing bar (transport protection) according with the instructions given in this handbook.
- 16) The driver's seat must never be left when the tractor engine is running.
- 17) Before operating the mowing machine, check that the support struts (A and B, Fig. 15 page 15) have been removed from underneath the implement. Make sure that the sickle bar has been correctly mounted and adjusted. Check that the machine is in perfect order and that all components subject to wear and deterioration are efficient.
- 18) Before releasing the equipment from the third point attachment, put the hoist command lever into the locked position and lower the support feet.
- 19) Only operate during daylight or with proper artificial light.
- 20) All operations must be carried out by expert personnel, equipped with protective gloves, in a clean and dust-free environment.
- 21) Do not climb onto the machine while it is running, even if it is stationary.
- 22) Before approaching the mowing bar, disengage the pto, switch off the tractor, engage the parking brake and check that the cutters are at a complete standstill.
- 23) The coupled implement may only be controlled through the PTO shaft complete with the necessary safety devices for overloads and with the guards fixed with the relative latch.
- 24) During maintenance and work operations, make sure that no other person goes near the tractor and the implement and accidentally works the controls with the risk of causing injury to persons and damage to property.
- 25) As a precaution, always set adequate supports under the implement during assembly, servicing, cleaning or assembly work with the mowing bar raised.

OPERATING

- 26) DO NOT wear radio or music headphones while operating the machine. Safe operation requires your full attention.
- 27) DO NOT operate the tractor and sickle bar when you are tired or ill.

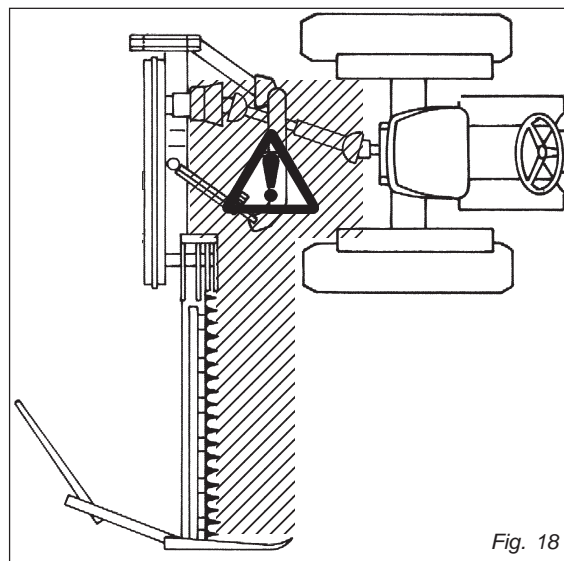
Tractor hitch

- 1) Hook the equipment to a suitable, sufficiently-powered tractor by means of the appropriate device (lifter), in conformity with applicable standards.
- 2) The class of the equipment attachment pins must be the same as that of the lifter attachment.
- 3) Take care when working within the range of the lifting arms as this is a very dangerous area.
- 4) Be very careful when hooking and unhooking the equipment.



5) **It is absolutely forbidden to stand between the tractor and linkage for acting the lifting controls from the outside (Fig. 18).**

- 6) It is absolutely forbidden to stand in the space between the tractor and the equipment (Fig. 18) with the engine running.
- 7) The attaching of additional equipment onto the tractor brings about a different distribution of weight on the axles. Check the compatibility of the tractor performance with the weight that the mower transfers onto the three-point linkage. If in doubt consult the tractor Manufacturer.
- 8) Comply with the maximum admissible weight for the axle, the total mobile weight, transport regulations and the highway code.



Wear appropriate clothing

- Wear close fitting clothing and safety equipment appropriate for the job.
- Loud noise can cause impairment or loss of hearing, wear a suitable protective device such as earplugs.



Stay clear of rotating drivelines

Entanglement in rotating driveline can cause serious injury or death:

- Wear close fitting clothing
- Stop the engine and be sure PTO shaft is stopped before getting near it.



CAUTION: Before you work around hitch:

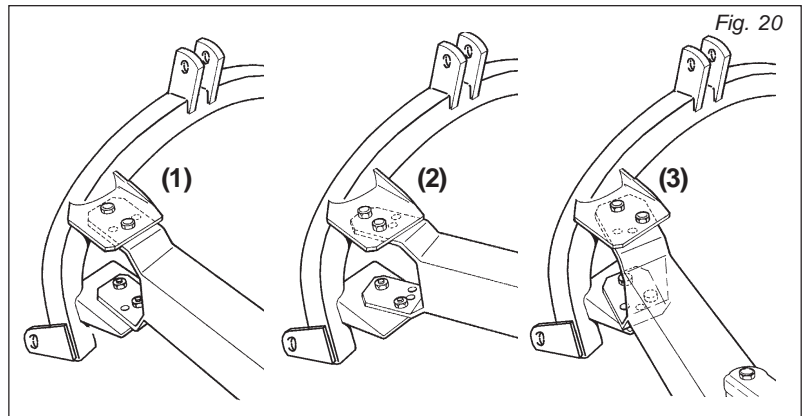
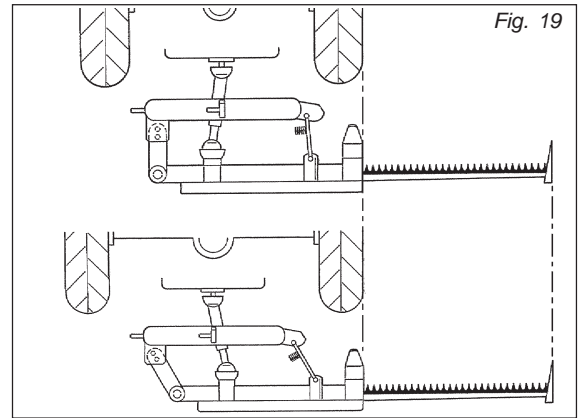
- **STOP** engine.
- **LOCK** park brake.
- **FIRMLY** block mower on horizontal surface.

OPERATING

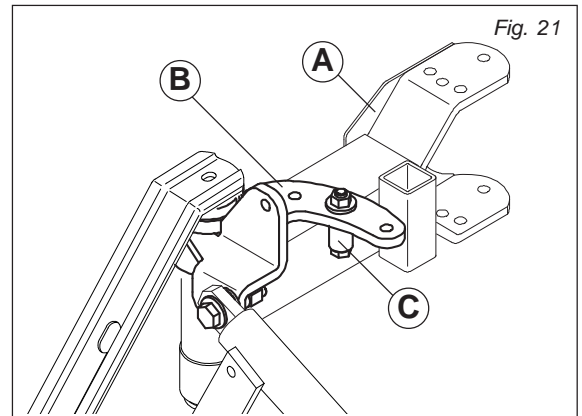
Adapting the sickle bar

To ensure optimum use, the sickle bar must completely project from the tractor (Fig. 19); three situations are shown in the Figure 20:

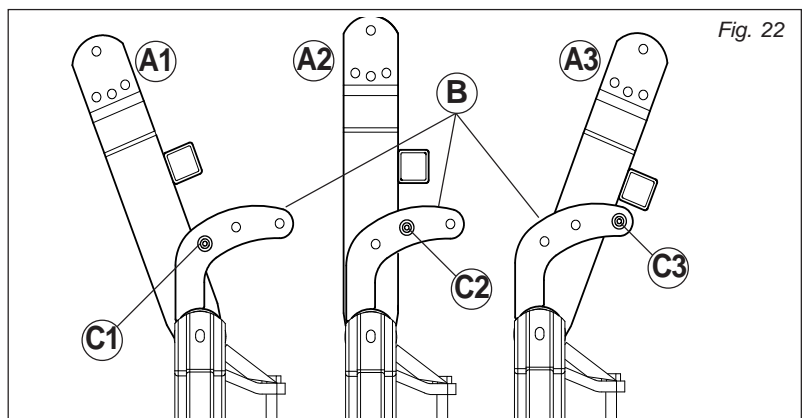
- 1) hitching to a tractor normally used for mowing jobs;
- 2) hitching to a large tractor;
- 3) hitching to a small tractor or to certain types of tracked vehicle.



When the frame joint is moved (A, Fig. 21), the position of the stop bushing (C, Fig. 21) of the cylinder linkage must consequently be changed, according to the cases shown in figures 21 and 22.



Connections between frame joint and stop bushing for the movement of the mowing bar.



OPERATING

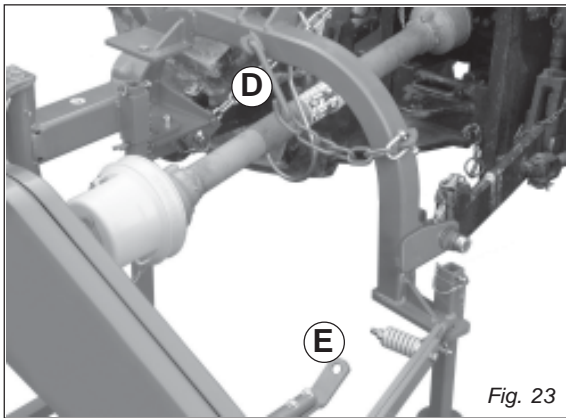


Fig. 23

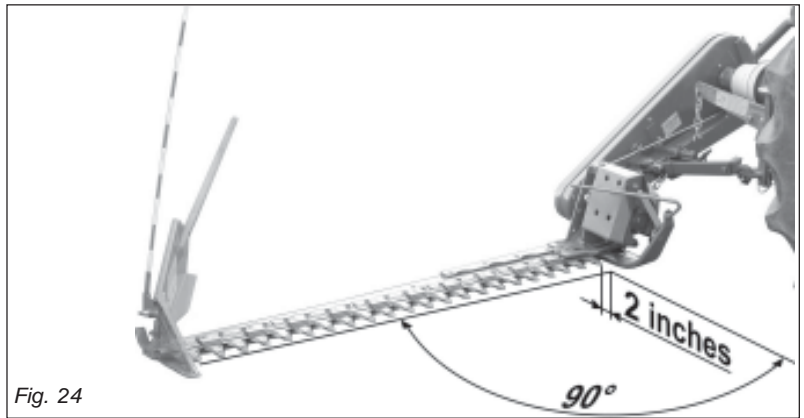


Fig. 24

Adjustment

- Remove safety hook (D, Fig. 23), required only for transportation, and fit it back in the slot positioned above the chasis. Reduce to the minimum length in order to hook it in (E, Fig. 23) with the sickle bar to lower.
- Fit the sickle bar by adjusting the tractor tie-rods so that, when the sickle bar attachment is fitted to the three points on the tractor, the external tip of the cutting arm is approximately 2 inches forward with respect to the arm base (Fig. 24).
- Using chain (F, Fig. 25), adjust the height of the sickle bar attachment with respect to the tractor. Attach the appropriate link to the special plate hole (G, Fig. 25). Adjust the height of the mower on the basis of the height shown in Figure 25. Mark the link used so that the same position may be used each time the sickle bar is fitted to the tractor.
- Adjust inclination of the cutting arm teeth using tie rod (H, Fig. 26).

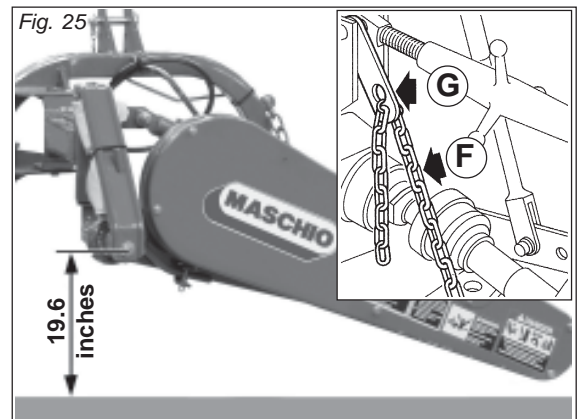


Fig. 25

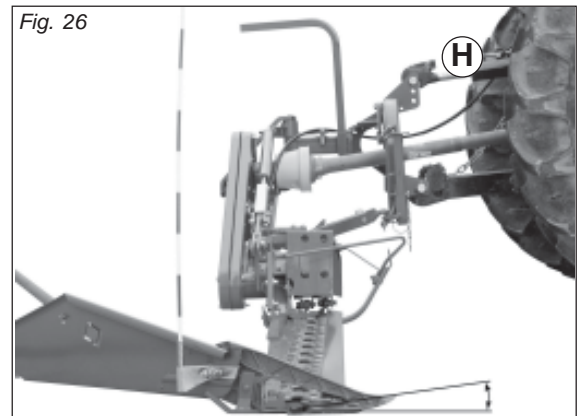


Fig. 26

- Adjust the cutting height (Fig. 27) by moving the mowing bar on the holes of the inner mowing bar support (I), and, turning the nut of the outer mowing bar support (J), bring it level with the ground.

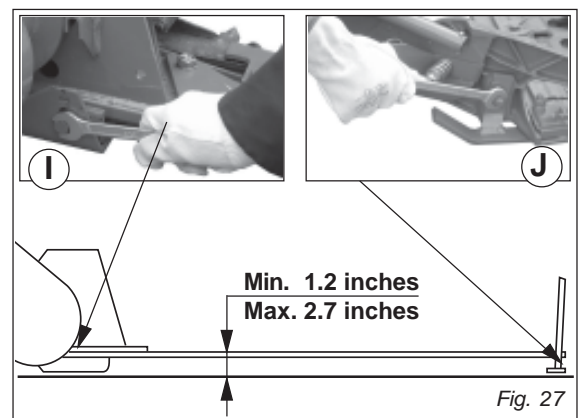
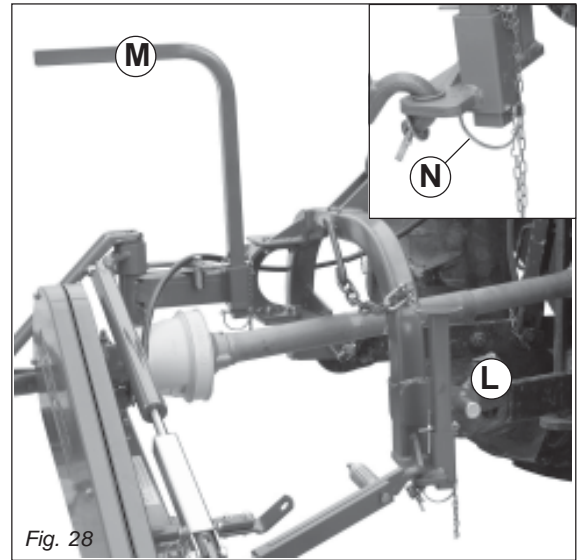


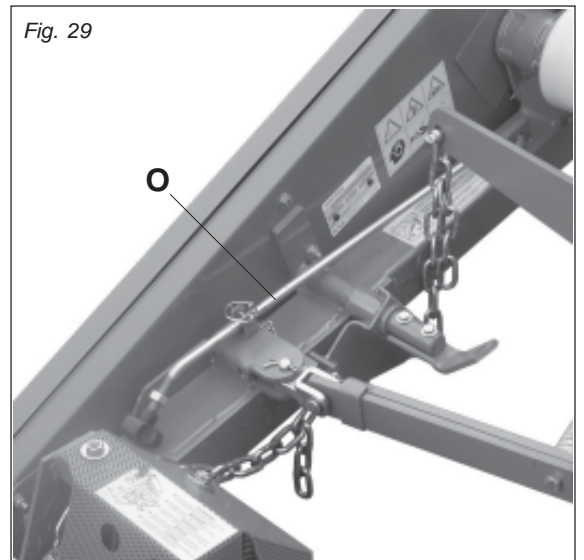
Fig. 27

Mowing

- Remove the supports (L and M, Fig. 28) and remount them, upside-down in their seat. Install spring locking pin in order to secure parking stand (N).

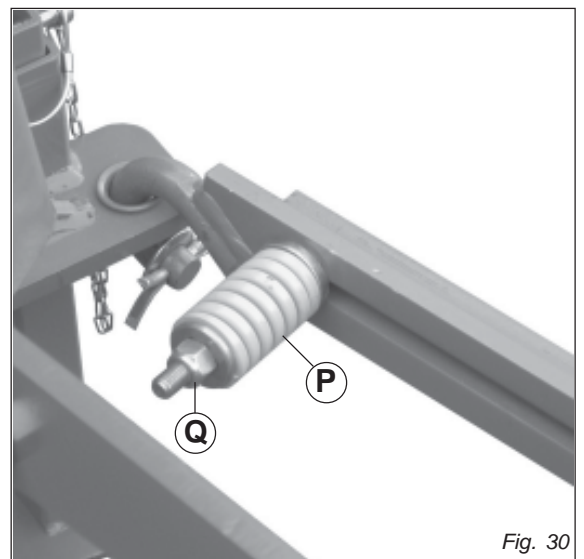


- Remove tie rod (O, Fig. 29) from the cutting arm and secure it in its seat.
- The sickle bar is fitted with a safety device for protection against obstacles. If this device is tripped by impact with an obstacle, stop the tractor without raising the cutting arm. Check that the cardan shaft has not become separated, if so, reassemble it. **Position the safety tie rod parallel to the ground, and reverse the tractor until the safety tie rod hooks up again.** If the tie rod releases easily, adjust spring (P, Fig. 30) using nut (Q, Fig. 30) which should be tightened half turn at a time.



For successful mowing and to avoid jamming, we advise you to:

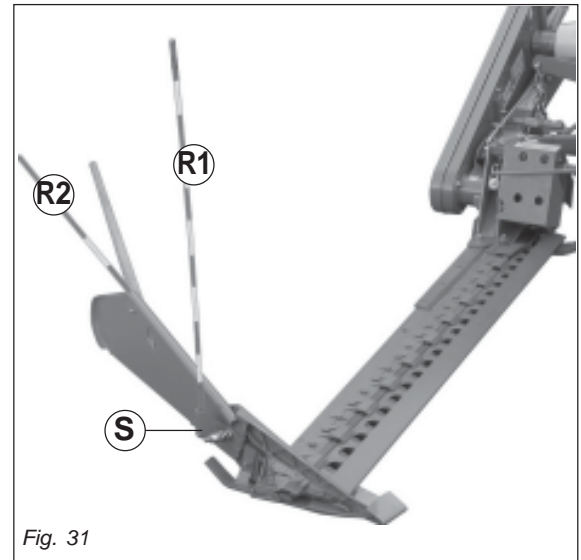
- **Set and maintain the power take-off at a constant rate of 540 rpm to ensure correct blade frequency;**
- compatibly with the soil conditions and the type of grass, maintain a steady work speed: no slower than 5 mph to favor the discharging of the mown grass and no faster than 6.2 mph to avoid breaking or damaging the machine's structure.
- if the grass is tangled or flattened, keep the cutting bar grazing the ground.



OPERATING

Hazard bar

The hazard bar has been included with the equipment of the machine for safety reasons, to indicate the space occupied by the mower at work. For working, position the hazard bar in position (R1, Fig. 31) and lock it in place with the screw (S). For transport put it in position (R2).



ATTENTION

If the blades becomes jammed, it is advisable to operate carefully wearing suitable personal protection. All the maintenance, adjustments and work preparation operations, must be carried out with the tractor strictly switched off and properly stationary, with the ignition key turned off and the sickle bar on the ground.



CAUTION

- Always raise the implement in order to reverse or change direction.
- The cutting arm should not be raised abruptly in order to avoid damaging the cutting blades.
- Power take-off must not exceed 540 r.p.m.
- Never run the engine at maximum power while mowing.
- In order to prevent breakages or damage, the speed of the tractor must never exceed 6.2 mph when the implement is working.



DANGER

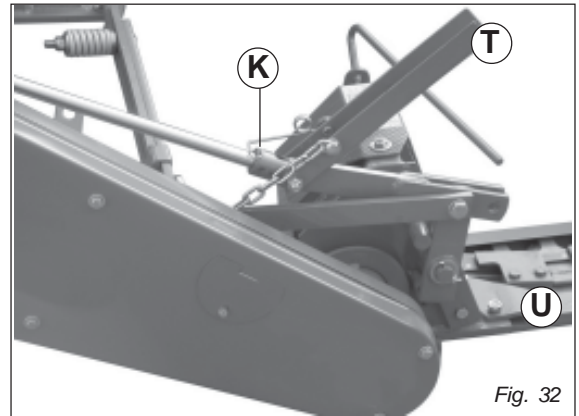
The mowing machine has sharp cutting blades. Always make sure that there are no persons, domestic animals, electrical cables, pipes and so forth, within the field of action of the implement.

OPERATING

Using the lifting device

Once you have positioned the equipment, prepare it for mowing:

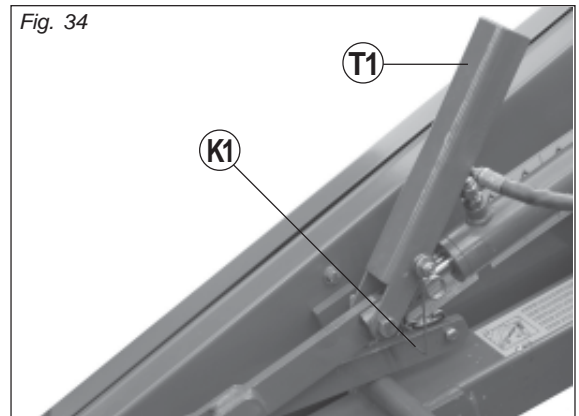
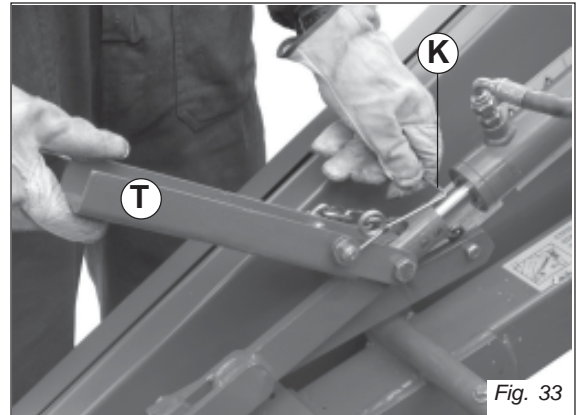
- release the blade tie rod;
- remove the support prop;
- remove the blade protection.




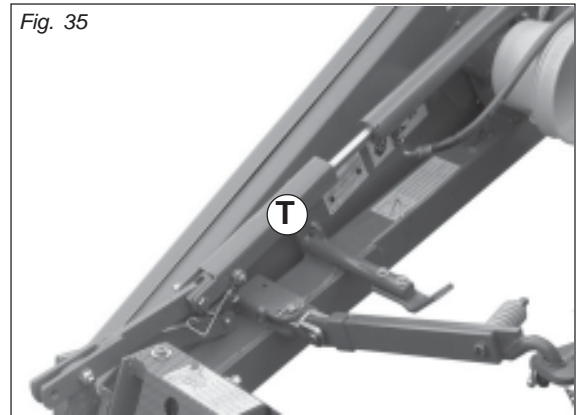
Operation of lifting device

To operate the device, put the spring (K, Fig. 33) in position (K1, Fig. 34) (under the cylinder rod), so that the cylinder bracket (T, Fig. 33) is released forwards towards position (T1, Fig. 34).

Climb into the tractor and operate the hydraulic distributor to lower the blade (U, Fig. 32) into the mowing position.



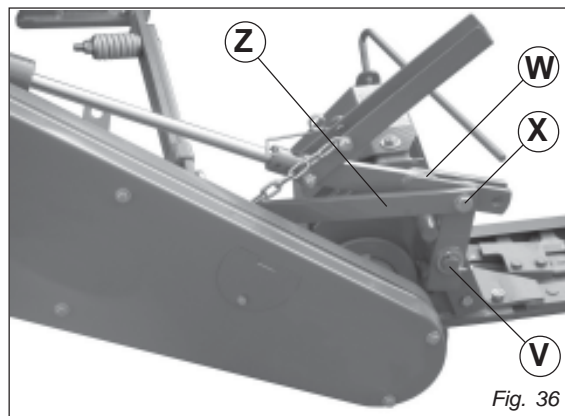
 **CAUTION:** While working regularly check that the bracket (T) is still resting along the cylinder rod (Fig. 35).



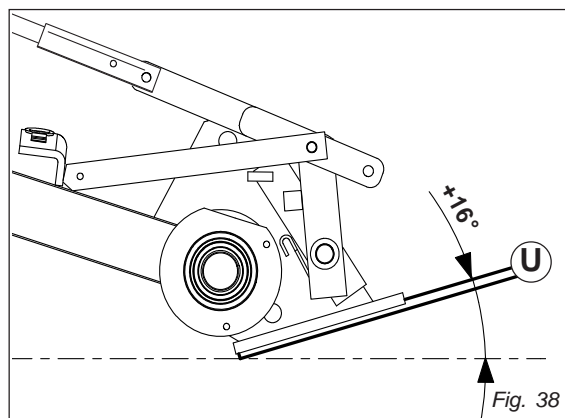
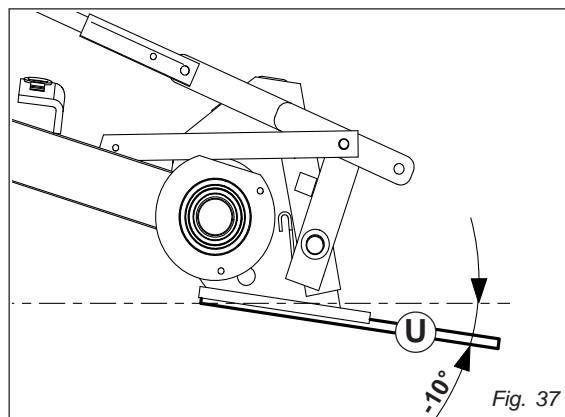
OPERATING

Mowing on flat ground (or ground with small depressions)

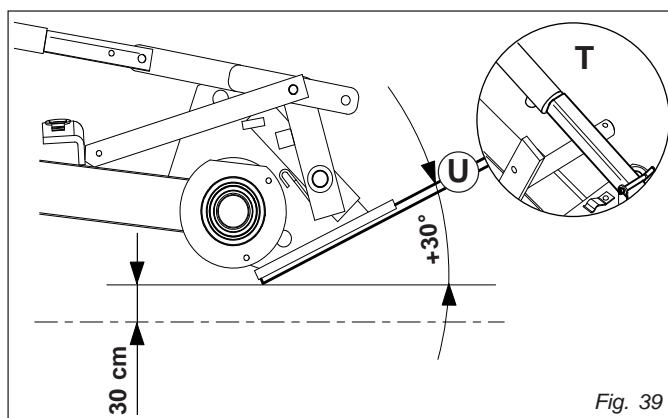
For mowing on flat ground, couple the lever (V) with tie rod (W) and the rod (Z) in position (X) of Figure 36. Lastly insert the lifting device as described in the previous paragraph.



With the rapid lifting device engaged, the bar (U, Fig. 37) has a negative inclination of -10° and a positive one of $+16^\circ$ (Fig. 38) with respect to the horizontal plane during mowing. This system has been devised for mowing quickly and safely on flat ground or ground with small depressions.



The operation of the lifting device up to the stop of the bracket on the cylinder (T, Fig. 39) allows the equipment to be raised by approx. 12 inches from the ground and, at the same time, an inclination of the blade (U, Fig. 39) of $+30^\circ$, so that the end of field maneuvers can be carried out.



OPERATING

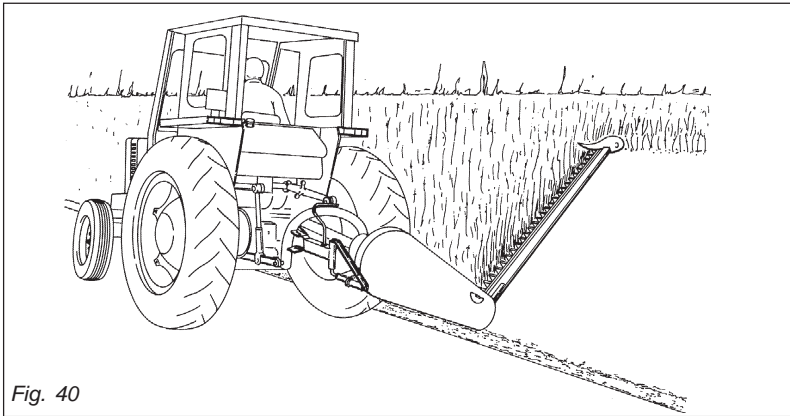


Fig. 40

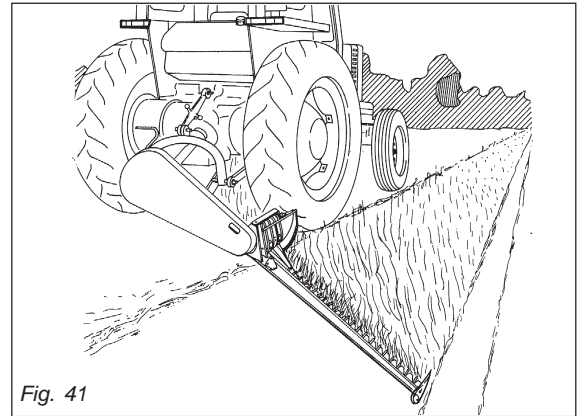


Fig. 41

Mowing on slopes

Figures 40 and 41 show various types of mowing on sloping ground (banks, canals, etc.).



CAUTION: For mowing on surfaces that are not parallel to the tractor plane, we recommend removing the moving guide from the outer mowing bar support. To mount pulling of Fig. 42 in order to improve the excursion and use of the sickle bar.

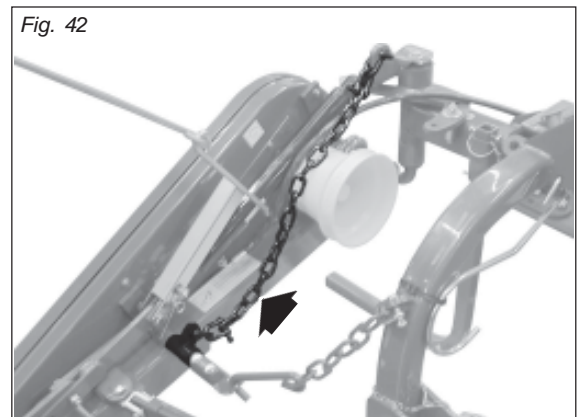


Fig. 42

For mowing on sloping ground, disable the lifting (V) device as shown in Figure 43 and couple the lever (W) with tie rod (Z) and the rod (X) in position (Y) as shown in Figure 43.

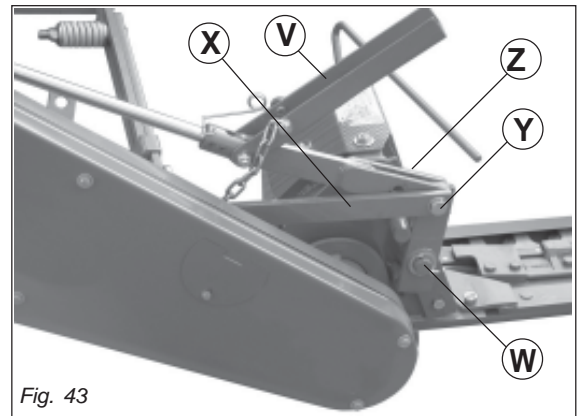


Fig. 43

In this way the bar can be adjusted with the hydraulic cylinder to mow at different angles: from -75° to $+90^{\circ}$ with respect to the horizontal plane formed by the tractor (Fig. 44).

IMPORTANT:
The sickle bar can operate in each position between -75° to $+90^{\circ}$.

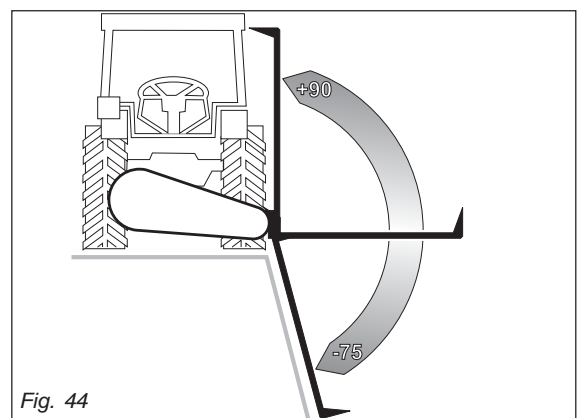
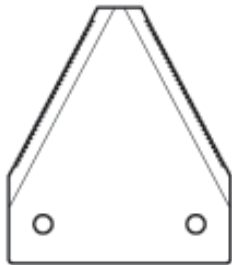


Fig. 44

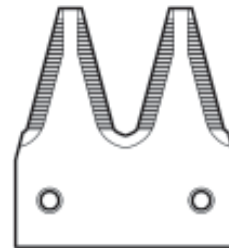
OPERATING

How to choose between sickle bars

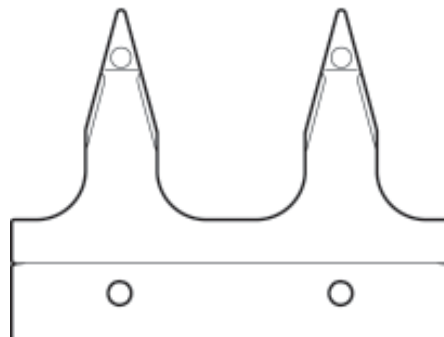
TYPE OF THE GROUND		TYPE OF THE FORAGE			
		Dry and lignificated (gramineae)	Humid, packed and low (cat coat)	Humid and packed (Lucerne-Clover)	Big and high (forage of the sorghum, corn)
Level	Normal	DSS - SD/SN	DSS - SD	DSS - SN	DSS - SN
	Stny field	DSS - SD/SN	DSS - SD	DSS - SN	DSS - SN
Hill	Normal	DSS - SD/SN	DSS - SD	DSS - SN	DSS - SN
	Stny field	DSS - SD/SN	DSS - SD	DSS - SN	DSS - SN
Mountain	Normal	DSS - SD/SN	DSS - SD	DSS - SN	DSS - SN
	Stny field	DSS - SD/SN	DSS - SD	DSS - SN	DSS - SN



Normal Section (SN)



Self sharpening double section (SD)



Replaceable Normal tooth (DSS)

OPERATING - QUICK COUPLER

Quick Coupler

The Quick Coupler must be used only with hydraulic lifting system.

- 1) Install hitch Quick Coupler (A, Fig. 45) on the tractor (see tractor operator manual).
- 2) Parking the sickle bar on a flat and compact ground supported by the relative supports. Then slowly move the tractor back until the Quick Coupler (A) is in range with the point hitches (B and C, Fig. 45).
- 3) Raise the Quick Coupler (A, Fig. 45) and make sure that sickle bar hitch is in the right position (E, Fig. 46).

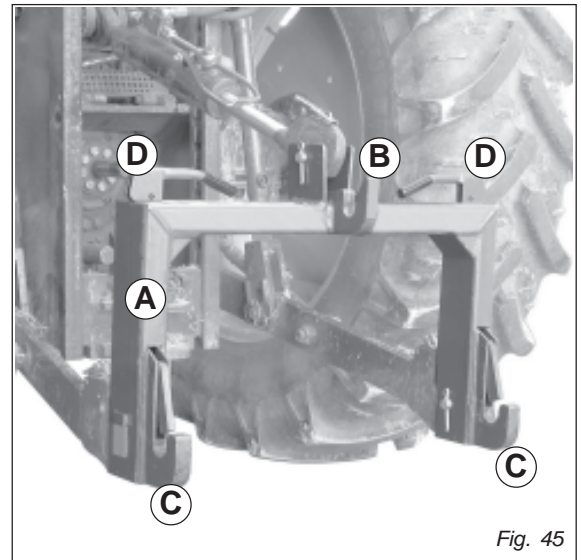


Fig. 45

CAUTION: Before you work around hitch:

- STOP engine.
- LOCK park brake.
- FIRMLY block mower on horizontal surface.

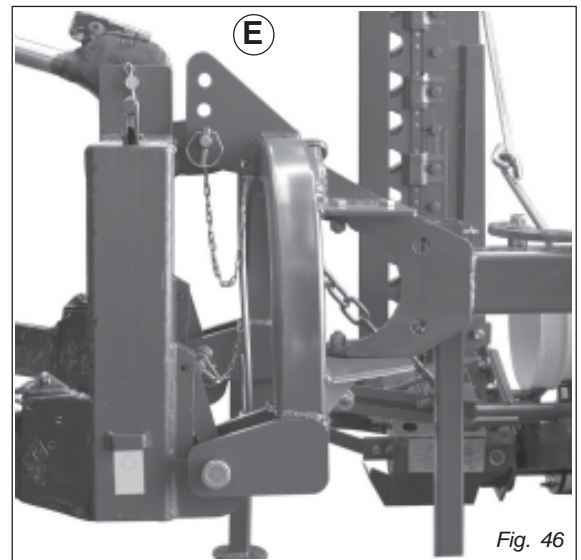


Fig. 46

Removing sickle bar mower with Quick Coupler

1. Raise sickle bar.
2. Put parking stand (F and G, Fig. 47) in the DOWN position: install spring locking pin in order to secure parking stand (H, Fig. 47).
3. Lower sickle bar to the ground.
4. Raise the two Quick Coupler levers (D, Fig. 45) to unloch sickle bar.
5. Lower Quick Coupler till further free the sickle bar.

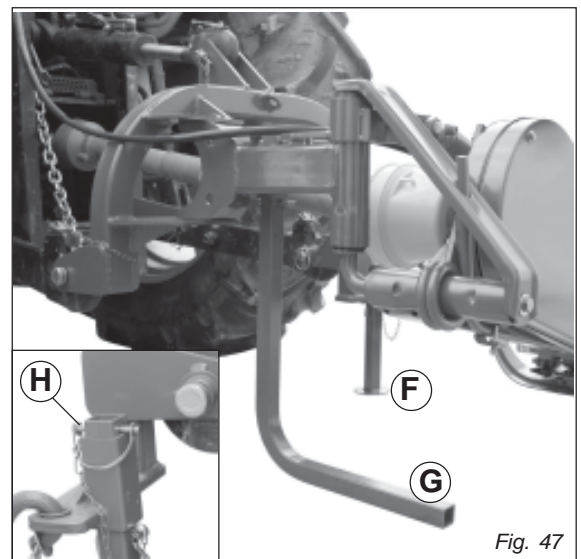


Fig. 47

SERVICE MACHINE SAFETLY

Practice safe maintenance

- Understand service procedure before doing work. Keep area clean and dry. To avoid ...
- Never lubricate, service, or adjust machine while it is moving. Keep safety devices in place and in working condition. Keep hardware tight.
- To prevent from getting caught, keep hands, feet, clothing, jewelry, and long hair away from any moving parts.
- Before servicing machine, lower it to the ground. Disengage all power and stop the vehicle engine. Lock vehicle park brake and remove the key.
- Securely support any machine elements that must be raised for maintenance.
- Keep all parts in good condition and properly installed. Fix damage immediately. Replace worn or broken parts. Remove any buildup of grease, oil, or debris.
- Unauthorized modifications to the machine may impair its function and safety.



Wear appropriate clothing

- Wear close fitting clothing and safety equipment appropriate for the job.
- Loud noise can cause impairment or loss of hearing, wear a suitable protective device such as earplugs.
- Do not wear radio or music headphones while servicing the machine. Safe servicing requires your full attention.



Stay clear of rotating PTO shaft

Entanglement in rotating driveline can cause serious injury or death:

- Stop the engine and be sure PTO shaft is stopped before getting near it.



Maintenance

Various servicing operations are listed in the following paragraphs. Lower running costs and longer machine life depend on constant and methodical compliance with these operations.

During work and maintenance operations, use suitable personal protective gear:



CAUTION

- **The given frequencies are indicative and refer to normal conditions of use. They may therefore be subject to variations in relation to the type of service, a more or less dusty environment, seasonal factors, etc.**
- **In the case of heavy-duty conditions, the maintenance operations should obviously be more frequent.**
- **Before injecting grease into the lubricators, the greasing points must be thoroughly cleaned to prevent mud, dust or foreign bodies from mixing with the lubricant, thus reducing lubricating effect.**



ATTENTION

It is absolutely essential to disengage the tractor pto, lower the mowing machine, switch off the tractor, ensure that this is at a complete standstill and remove the key before servicing, adjusting the implement for work. All assembly operations must be carried out on a work bench.

- **Always keep oils and greases well away from children's reach.**
- **Always thoroughly read the warnings and precautions indicated on the containers.**
- **Avoid contact with the skin.**
- **Always thoroughly and fully wash after use.**
- **The utilized oils should be treated in compliance with the current laws in force.**

SERVICE MACHINE SAFETLY

- Do not proceed with maintenance and cleaning if the power take-off has not been disconnected first, the engine power off, the hand brake pulled and the tractor blocked with a wooden block or stone of the right size under the wheels.
- Periodically check that the bolts and nuts are tight, and if necessary tighten them again. For this it would be advisable to use a torque wrench, respecting the values of 52 Nm for M10 bolts, resistance class 8.8, and 143 Nm for M14 bolts resistance class 8.8 (Table 1: **Bolts tightening torques**).
- During assembling, maintenance, cleaning, fitting, etc., with the mowing machine raised, place adequate supports under the equipment as a precaution.
- The spare parts must correspond to the manufacturer's specifications. **Use only original spares.**

Bolts tightening torques - settings given in Nm (lb-ft)

(Table 1)

Fine pitch screws (metric)	CLASS			
	6.6	8.8	10.9	12.9
M8 x 1	15 (11)	26 (19)	36 (26.5)	44 (32.5)
M10 x 1.25	30 (22)	52 (38)	74 (54)	88 (65)
M12 x 1.25	51 (37.5)	91 (67)	127 (94)	153 (113)
M14 x 1.5	81 (60)	143 (105)	201 (148)	241 (178)
M16 x 1.5	120 (88)	214 (158)	301 (222)	361 (266)
M18 x 1.5	173 (127)	308 (227)	433 (319)	520 (384)
M20 x 1.5	242 (178)	431 (318)	606 (447)	727 (536)
M22 x 1.5	321 (237)	571 (421)	803 (592)	964 (711)
M24 x 2	411 (303)	731 (539)	1028 (758)	1234 (910)
M27 x 2	601 (443)	1070 (790)	1504 (1110)	1806 (1333)
M30 x 2	832 (614)	1480 (1090)	2081 (1535)	2498 (1843)

Lubrication



- WARNING:**
- Firmly block sickle bar on horizontal surface.
 - Always keep oils and greases well away from children's reach.
 - Always thoroughly read the warnings and precautions indicated on the containers. Avoid contact with the skin.
 - Always thoroughly and fully wash after use. The utilized oils should be treated in compliance with the current anti-pollution laws.

Routine maintenance

- During the first working hours, check that the screws are tight (Fig. 60).

Every 8 work hours

- Grease points (A and B, Fig. 48).
- Grease the PTO shaft and its telescoping parts.
- Adjust belt tension periodically by adjusting nut (A, Fig. 49). Check tension via the viewing panel on the belt guard. Belt slack must not exceed 1 inch. It is essential to close the inspection hatch with the relative lid after the belts have been examined.

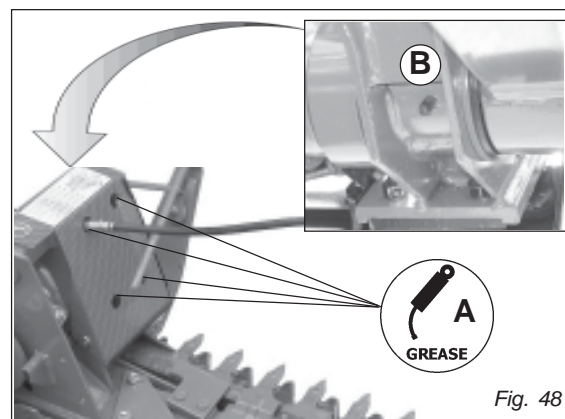


Fig. 48

Every 50 work hours

- Check the tightness of the connecting rod bolts regularly (Fig. 50).
- Checking the clearance tolerance

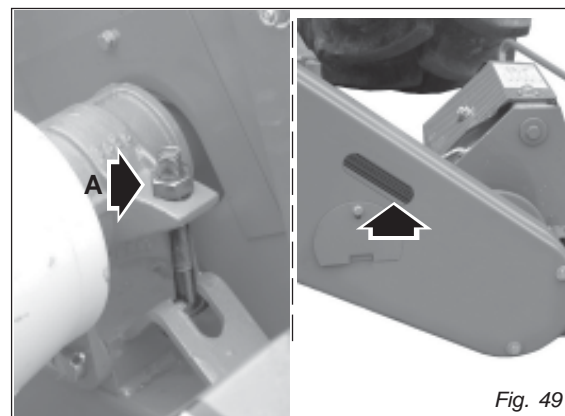


Fig. 49

Periodically (6 months)

- Grease point (A and B, Fig. 48).

After each mowing job

- Clean and oil the mowing bar blades according to the instructions in the chapter entitled: "Cleaning and oiling the cutters".

Lubricants

- It is advisable to use **SAE 85W/140 OIL** or equivalent for the reduction unit (or gear box) and side transmission.
- It is advisable to use **GR MU EP 2 GREASE** or equivalent for all greasing points.

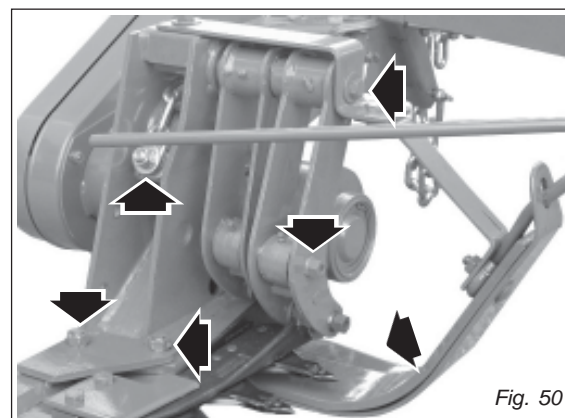


Fig. 50

Cleaning and oiling the cutters

DANGER

Mowing bar cleaning and oiling are very dangerous operations. Always comply with the following instructions:

- Switch off the tractor, remove the starter key and disengage the pto;
- Brake the tractor and make sure it is unable to move;
- Lift the implement by means of the lift links in a flat place where it cannot slip;
- Operate the mowing bar, checking that there are no persons or animals in the vicinity;
- **Wash the mowing bar with a jet of pressurized water, standing at least 5 feet away from the implement;**
- Check the condition of the cutters;
- **When the mowing bar is dry, oil the cutters with very viscous oil;**
- Operate the mowing bar for a few seconds, checking that there are no persons or animals in the vicinity;
- Switch off the tractor, remove the starter key and disengage the pto;
- Fit the guards over the cutters and outer skid (C Fig. 51)

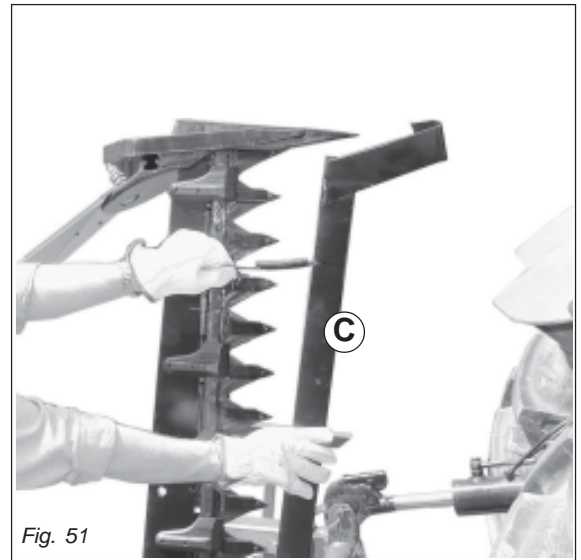


Fig. 51

Checking the clearance tolerance



ATTENTION

It is absolutely essential to disengage the tractor pto, lower the mowing machine, switch off the tractor, ensure that this is at a complete standstill and remove the key before servicing, adjusting the implement for work. All assembly operations must be carried out on a work bench.

Every 50 hours of operation, the clearance between the tooth and upper blade guide must be checked. Too much clearance allows material to enter the cutting blade, leading to the possible breakage of the various parts of the cutting blade, as well as compromising cutting quality. Too little clearance creates excessive sliding friction on the blade as it slides, leading to the possible breaking of the tooth holding bar, the blade head or parts of the hinge. The check is to run between the tooth and the upper blade guide. The optimal clearance is determined by the passing of a shim (Fig. 52). If a shim cannot pass between the tooth and upper blade guide, a shim must be added (Fig. 55). If, on the other hand, two coupled shim can pass (Fig. 53), a shim must be removed in order to restore optimal clearance conditions.

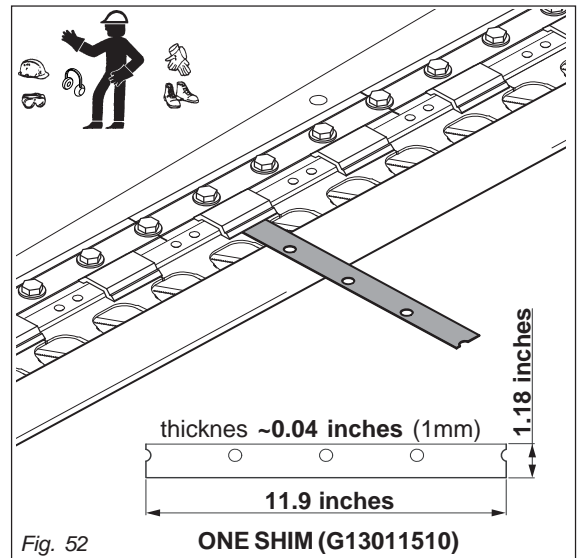


Fig. 52

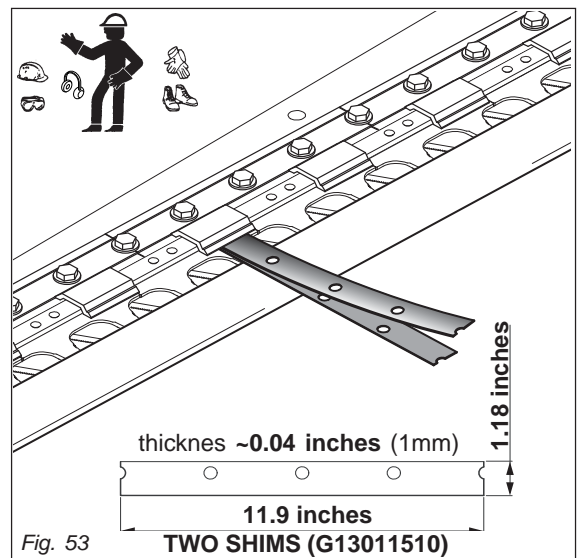


Fig. 53

To restore the correct tolerance:

- unscrew the blade guide (Fig. 54);
- remove one or more shims (Fig. 55);
- put the blade guide back in the same position.

IMPORTANT: When replacing the teeth or the tooth-holding bar, carry out the check described above. When required, put back the shims to avoid striping or damage.

Fig. 54

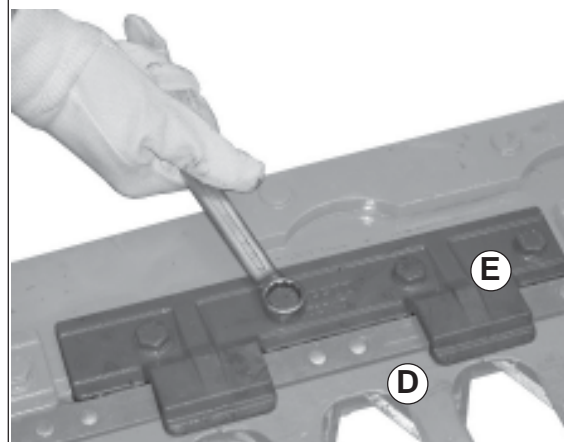


Fig. 55



Storage

It is advisable to proceed in the following way at the end of the season or if the machine is to remain inactive for a long period of time:

- Treat the implement in compliance with the instructions given in the chapter entitled: "**Cleaning and oiling the cutters**".
- Carefully check for any damaged or worn parts and replace these as necessary.
- Fully torque all screws and bolts.
- Apply a little lubricant to the unpainted parts.
- Protect the entire implement with a cover.
- Lastly, store the implement in a dry place where it cannot be tampered with by unauthorized persons; the mowing machine must be set-up on flat and compact ground, supported by the relative supports (F and G, Fig. 56).

Careful compliance with these instructions will be all to the advantage of the user who will be sure to use an implement in perfect conditions when work begins again.

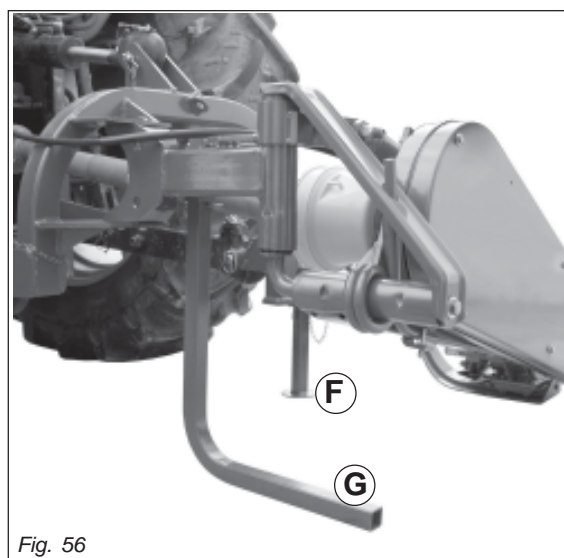


Fig. 56

Extra maintenance

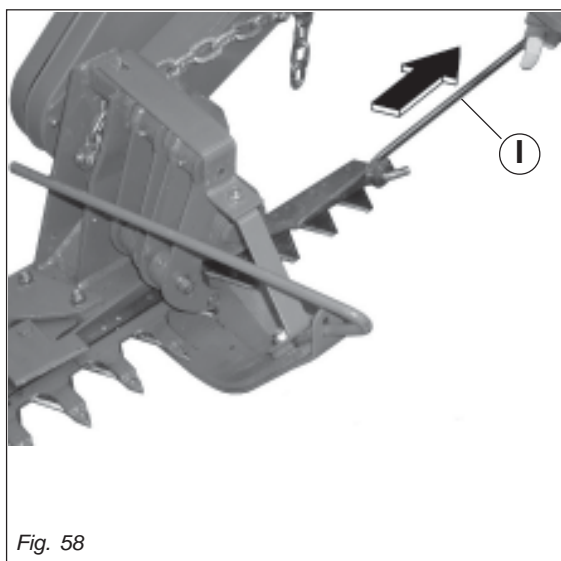
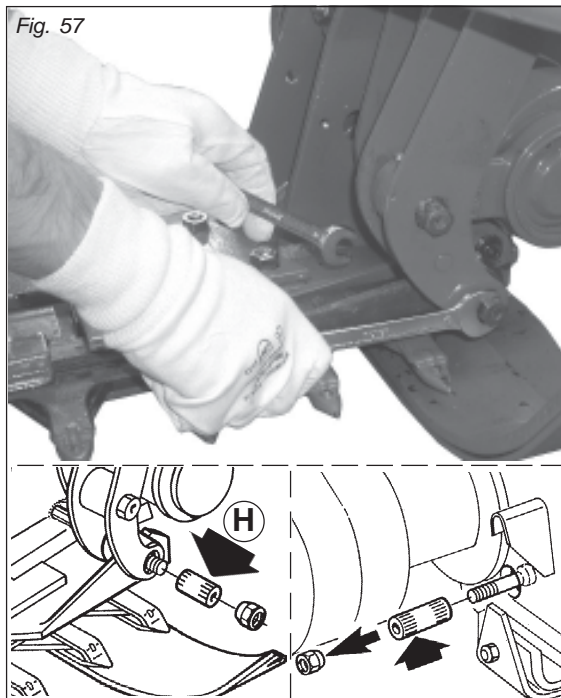


ATTENTION

It is absolutely essential to disengage the tractor pto, lower the mowing machine, switch off the tractor, ensure that this is at a complete standstill and remove the key before servicing, adjusting the implement for work. All assembly operations must be carried out on a work bench.

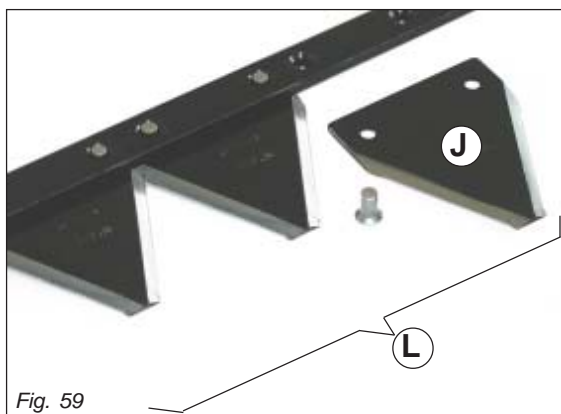
Replacement of section-holding bar (L fig. 59)

- With the implement resting on the ground, open the mowing bar.
- Remove the expansion pin (H, Fig. 57) and pull out the section-holding bar (Fig. 58) with the hooking tie rod (I Fig. 58).
- Insert the new section-holding bar and lock it in place with the expansion pin. Lubricate the cutters with very viscous oil during the assembly phase.



Replacement of sections (J fig. 59)

- With the implement resting on the ground, open the cutter bar.
- Remove the expansion pin (H, Fig. 57) and slide out the section-holding bar (Fig. 58).
- Remove the damaged section using a pin punch (7 Fig. 4 on page 6).
- Rivet a new section with the rivets provided (J Fig. 59).
- Insert the section-holding bar and lock it in place with the expansion pin.





ATTENTION

It is absolutely essential to disengage the tractor pto, lower the mowing machine, switch off the tractor, ensure that this is at a complete standstill and remove the key before servicing, adjusting the implement for work. All assembly operations must be carried out on a work bench.

Replacement of bar holding removable tooth

- With the implement resting on the ground, raise the mowing bar and secure it with the hooking tie rod.
- Unscrew all the tooth fastening screws (Fig. 60).
- Remove all the teeth (Fig. 61).
- Remove the expansion pin and slide out the bar.
- Insert the new tooth-holding bar and lock it in place with the expansion pin.
- Reposition the teeth and fasten them with the screws.



Fig. 60



Fig. 61

Replacement of removable tooth

- With the implement resting on the ground, raise the mowing bar and secure it with the hooking tie rod.
- Unscrew the screws of the tooth to be replaced (Fig. 60).
- Slide out the tooth (Fig. 61), put in the new one and lock it in place with the screws. For this it would be advisable to use a torque wrench, respecting the values of 30 Nm.

Replacement of belts

- Unscrew the screws (O, Fig. 62) and remove the protective casing.
- Loosen the belt tensioner completely (P, Fig. 62).
- Replace the worn belts with new ones.
- Put these at the optimum tension using the belt tensioner. Belt play should not exceed 1 inch.
- Put the protective casing back in position and fix it in place with the screws (O, Fig. 62).

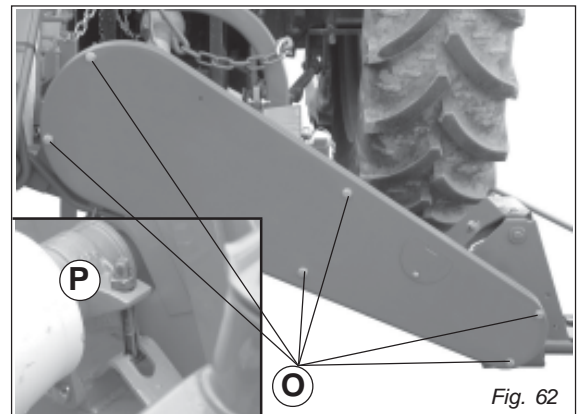


Fig. 62

Replacement of pulleys

Notes for replacement of pulleys, if necessary.

- Unscrew the screws (O, Fig. 62) and remove the protective casing.
- Loosen the belt tensioner completely (P, Fig. 62).
- Remove the belts.

To replace the driving pulley (Q, Fig. 63), turn it clockwise; viceversa, turn the driven pulley (R, Fig. 63) counterclockwise.

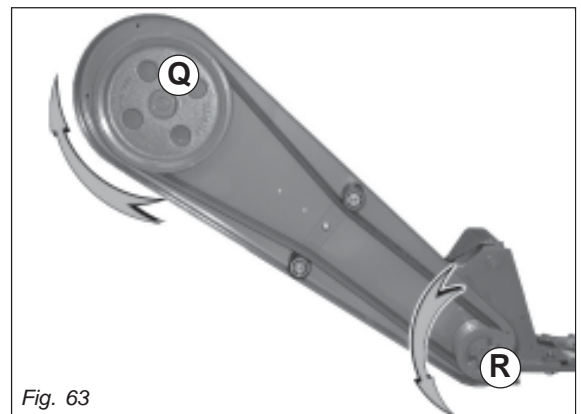


Fig. 63

TRANSPORT ON THE ROAD

Transport on road

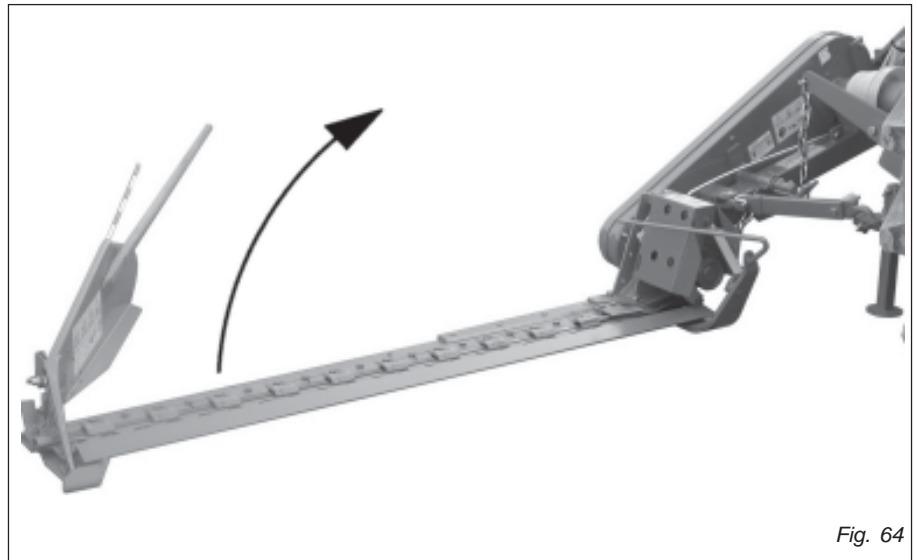


Fig. 64

For transport, adjust and fix the chains of the side lifting arms of the tractor; lift the mowing bar (Fig. 64); secure it with the hooking tie rod (A, Fig. 65); slide in the safety hook (B, Fig. 65); cover the cutting blades and the outer mowing bar support with the guards provided (Fig. 66); lift the implement; put the hydraulic lifting command lever in the locked position.

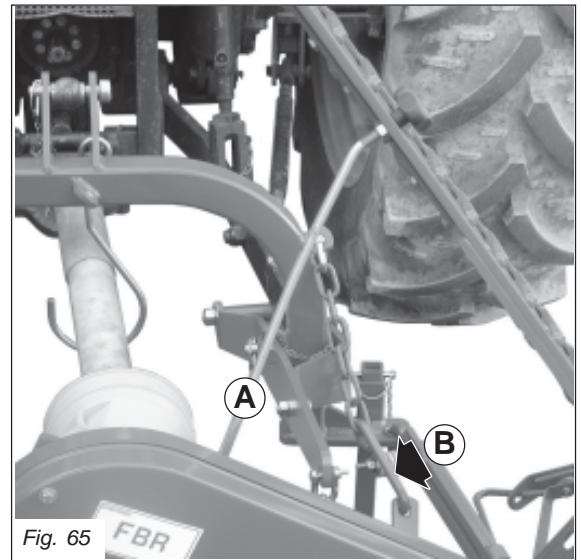


Fig. 65

Transport on Road

- When driving on public roads, be sure to follow the highway code of the country involved.
- Any transport accessories must be provided with suitable signs and guards.
- It is very important to remember that road holding capacity as well as direction and braking capacity can be influenced, sometimes considerably, by equipment being either carried or towed.
- When negotiating curves, be aware of the variation in centrifugal force exerted in a position other than that of the center of gravity, with and without the equipment in tow. Also pay greater attention on sloping roads or ground.
- For displacements beyond the work area, the equipment must be placed in the transportation position.
- When the dimensions of carried or partially-carried equipment conceal the tractor's signalling and lighting devices, these must also be installed on the equipment itself, in conformity with regulations of the highway code of the country involved. When in operation make sure that the lighting system is in perfect working order.

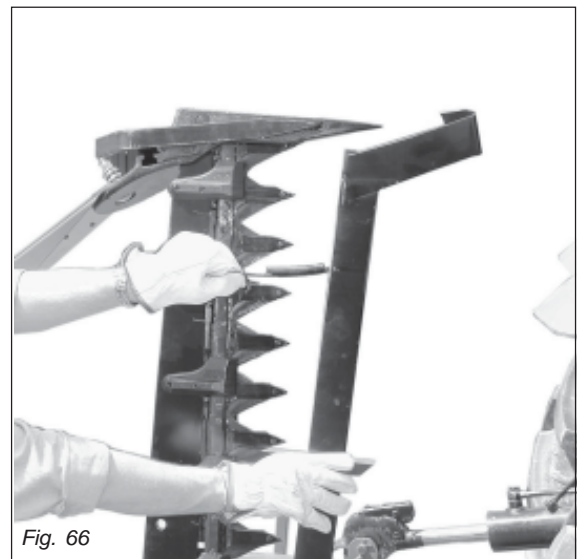


Fig. 66

DEMOLITION AND DISPOSAL

Demolition and disposal

This operation is to be carried out by the customer.

Before demolishing the machine, you are advised to carefully check its physical condition and ascertain whether there are any parts of the structure that may be susceptible to structural collapse or breakage during demolition.

The customer should operate in compliance with the environment protection laws in force in his/her country.



CAUTION

The machine demolition operations should be carried out by skilled personnel only, equipped with suitable protective clothing (safety footwear and gloves) and auxiliary tools and equipment. All the disassembly operations for demolition should be carried out with the machine stopped and detached from the tractor.

Before demolishing the machine, you are advised to render harmless all the parts that may be a source of danger and therefore:

- scrap the structure using specialized firms,
- remove any electrical apparatus according to the laws in force,
- collect oils and greases separately, to be disposed of through specialized firms, in accordance with the regulations of the country in which the machine was used.

When the machine is demolished the identification label must be destroyed together with this manual.

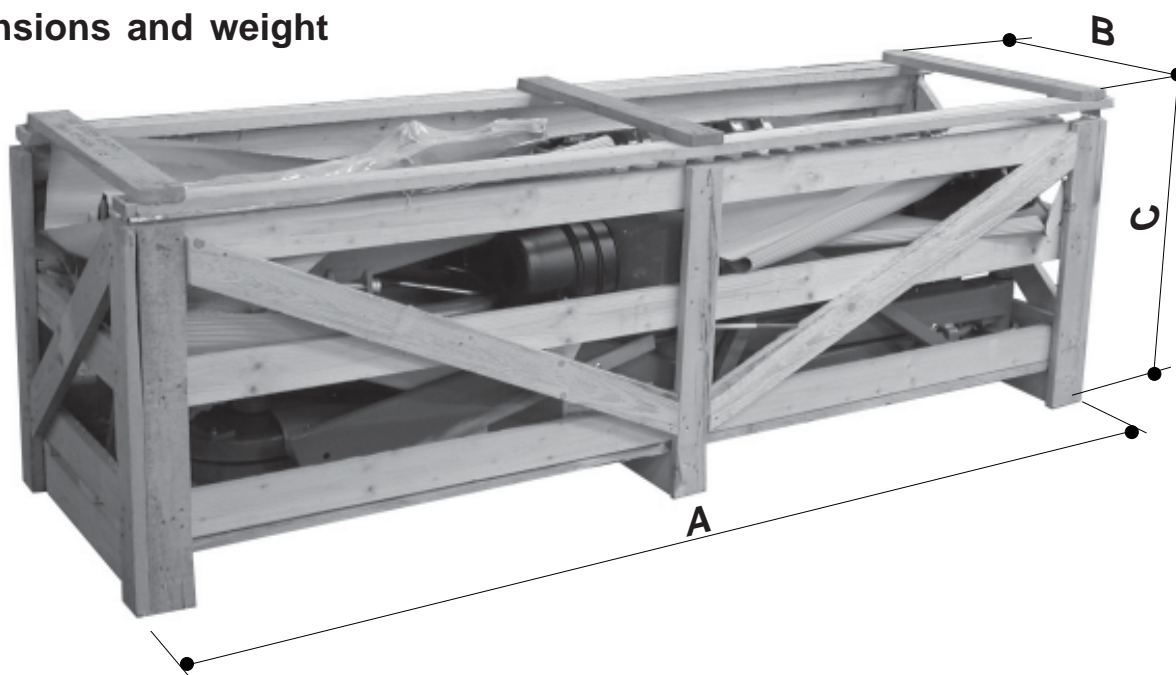
ASSEMBLY


Foreword

This chapter describes the phases involved in assembling a crated mower. When handling and assembling the unit, and subsequently during use and maintenance, always use suitable personal protection devices (A): always wear suitable clothing and the indicated protections. See the operating manual supplied with the unit for indication of the symbols used in this manual. When handling the unit, lift it by hooking up the special attachments and using a suitable hoist or crane rated for the weight of the unit. This operation is quite dangerous and must only be performed by prepared, responsible personnel. The machine weight is indicated on the ID label. The hook-up points are identified by the "hook" symbol (B). When moving the unit, make certain that all protections and safety devices are in place.

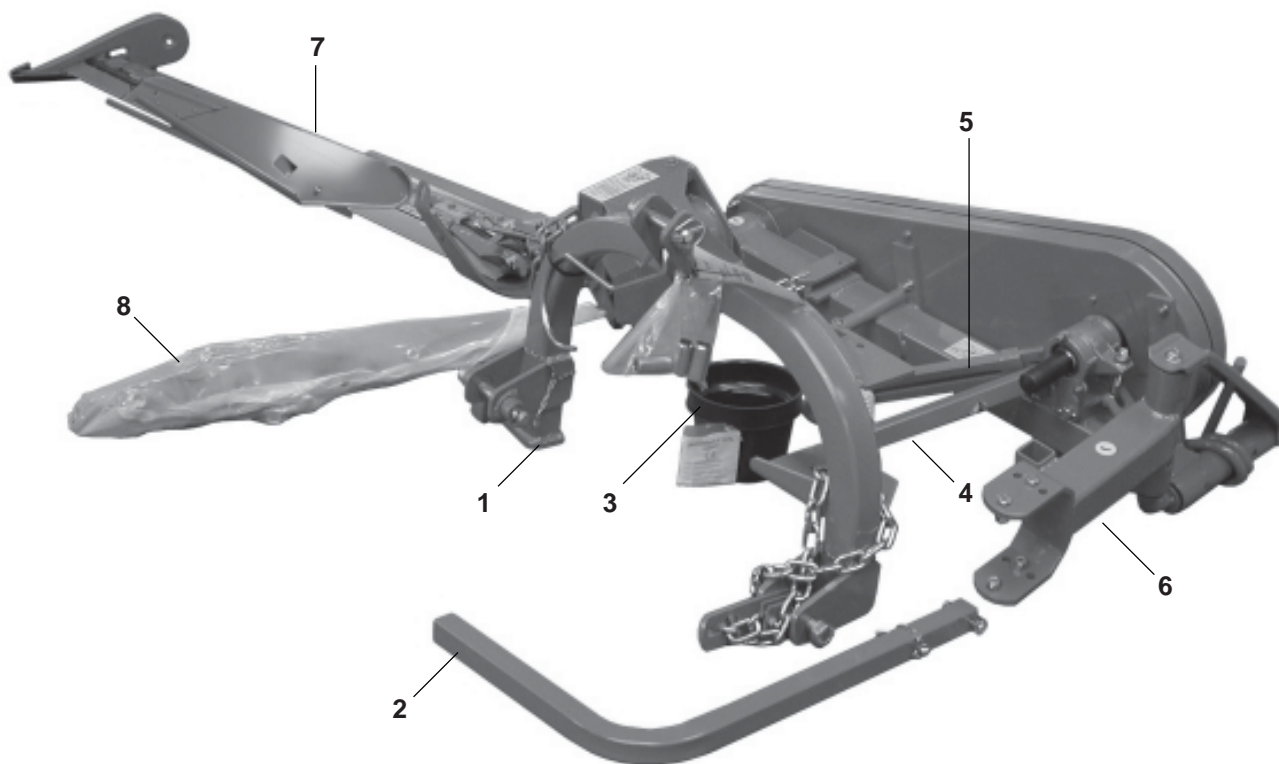


Dimensions and weight



TYPE TYPE	A (mm - inch)	B (mm - inch)	C (mm - inch)	 (kg - lb)
FBR 1.30 (X2)	2340 - 92	700 - 27.5	740 - 29	460 - 1012
FBR 1.45 (X2)	2340 - 92	700 - 27.5	740 - 29	480 - 1056
FBR 1.75 (X2)	2340 - 92	700 - 27.5	740 - 29	520 - 1144
FBR 2.05 (X2)	2340 - 92	700 - 27.5	740 - 29	560 - 1232
FBR 1.30 (X5)	2340 - 92	1400 - 55.1	1000 - 39.4	950 - 2090
FBR 1.45 (X5)	2340 - 92	1400 - 55.1	1000 - 39.4	1000 - 2200
FBR 1.75 (X5)	2340 - 92	1400 - 55.1	1000 - 39.4	1100 - 2420
FBR 2.05 (X5)	2340 - 92	1400 - 55.1	1000 - 39.4	1200 - 2640

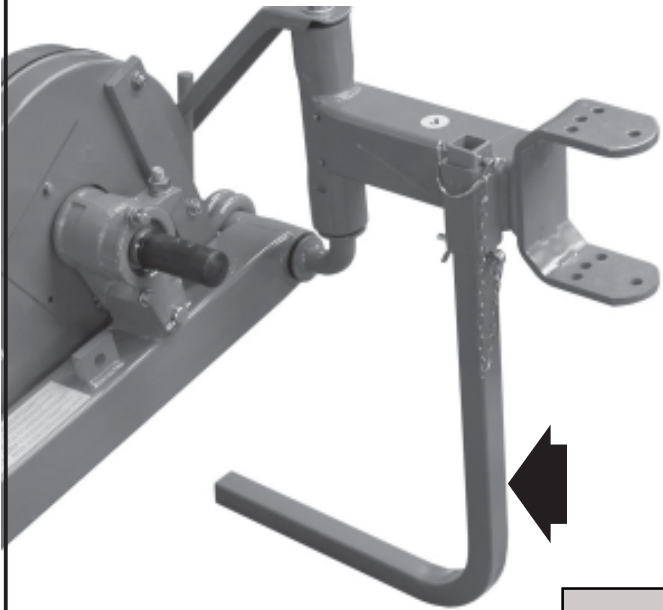
Sickle bar components



- 1) THIRD POINT LINKAGE FRAME.
- 2) SUPPORT.
- 3) POWER PTO PLATE.
- 4) FRONT PLATE.
- 5) TRIP TIE-ROD.
- 6) REAR FRAME.
- 7) BLADE HOLDER.
- 8) MECHANICAL LIFTING SYSTEM
- 8) HYDRAULIC LIFTING SYSTEM

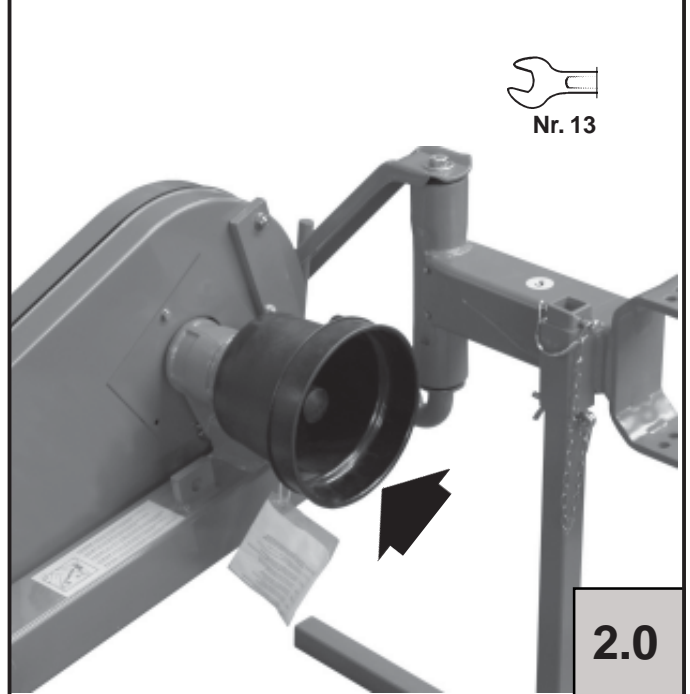
ASSEMBLY

Install the support on the third point linkage frame



1.0

Install the plate on the power take-off



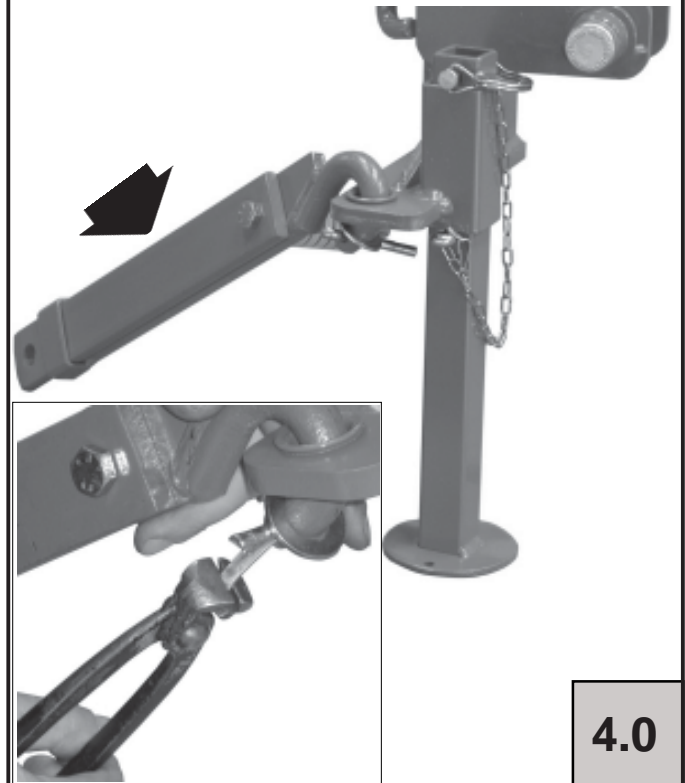
2.0

Install the support on the third point linkage frame



3.0

Install the trip tie-rod on the third point linkage frame



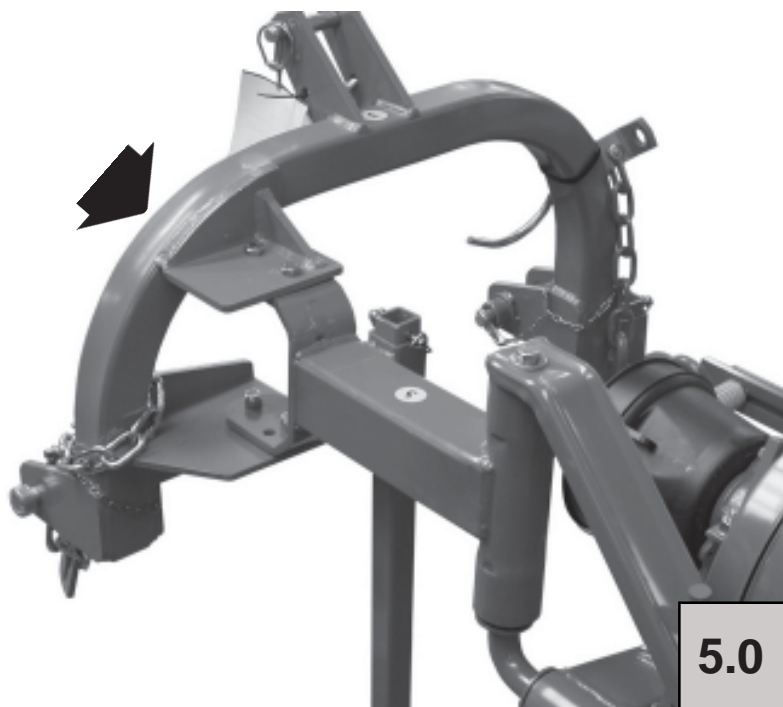
4.0

ASSEMBLY

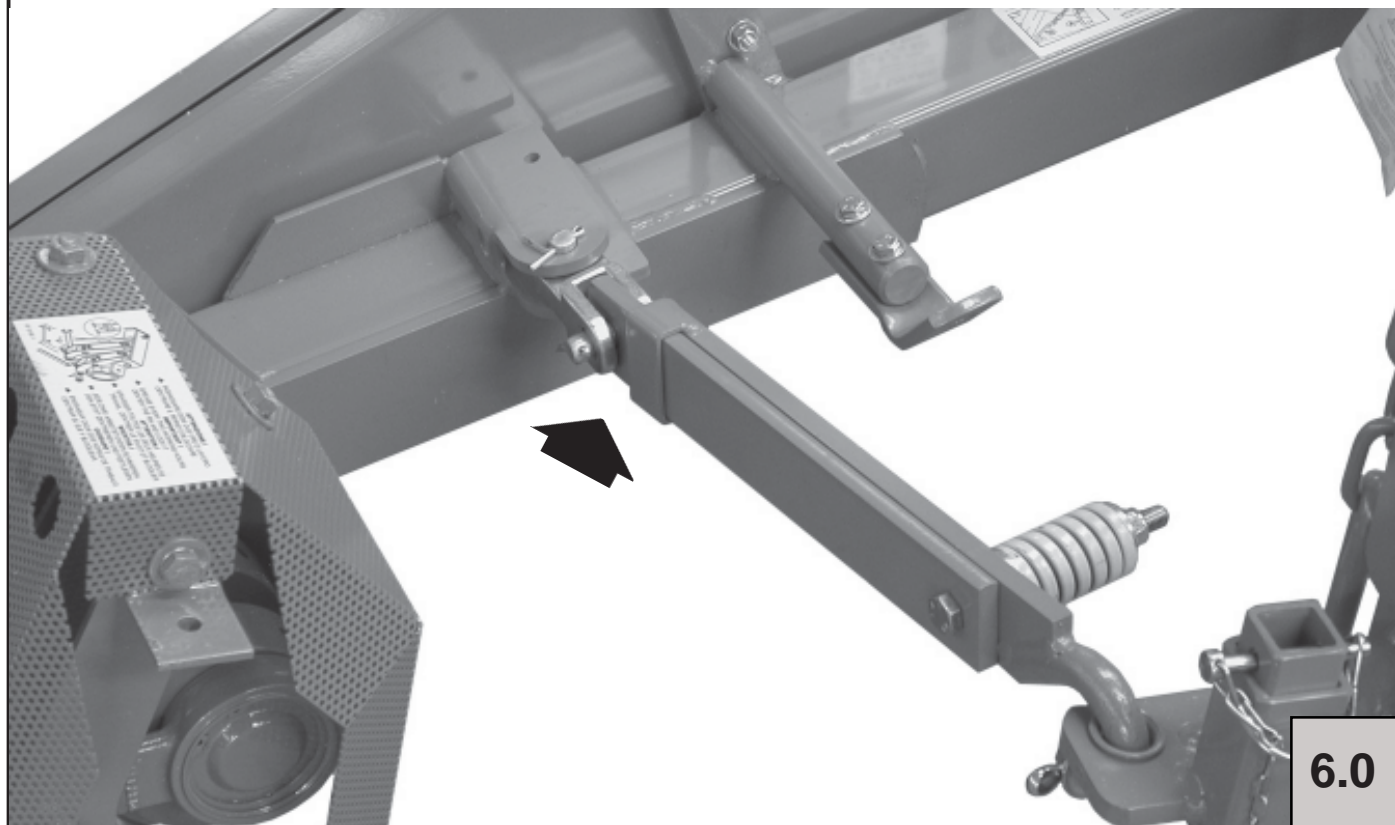
Secure the third point linkage frame to the rear frame



Two skilled people are required to perform this operation. (weight more than 55 lb - 25 kg)



Connect the trip tie-rod to the rear frame



ASSEMBLY

Sickle bar

Remove the protection and the supplementary blade. Withdraw the blades from the blade holder

7.a

DANGER
KEEP AWAY SHARP BLADES
- Do not put hands or feet near the cutterbar.
- Blade contact can result in serious injury.
- Stay away until all motion has stopped and the mower is securely blocked up.
- Keep fingers clear of cutterbar when folding cutterbar for transport.

DANGER
CRUSHING AND PINCH POINTS
MOVING MACHINERY PARTS CAN PINCH OR CRUSH OR FALL WHICH MAY CAUSE INJURY OR DEATH.

Remove the protection from the connecting rod system

7.b

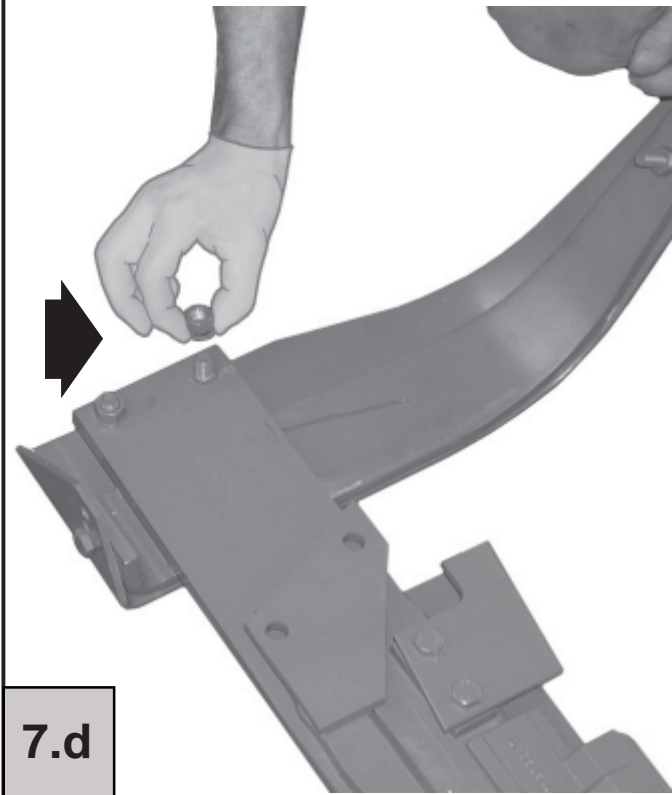
Nr. 10-13-17

Remove the blade holder expansion pins and securing screws

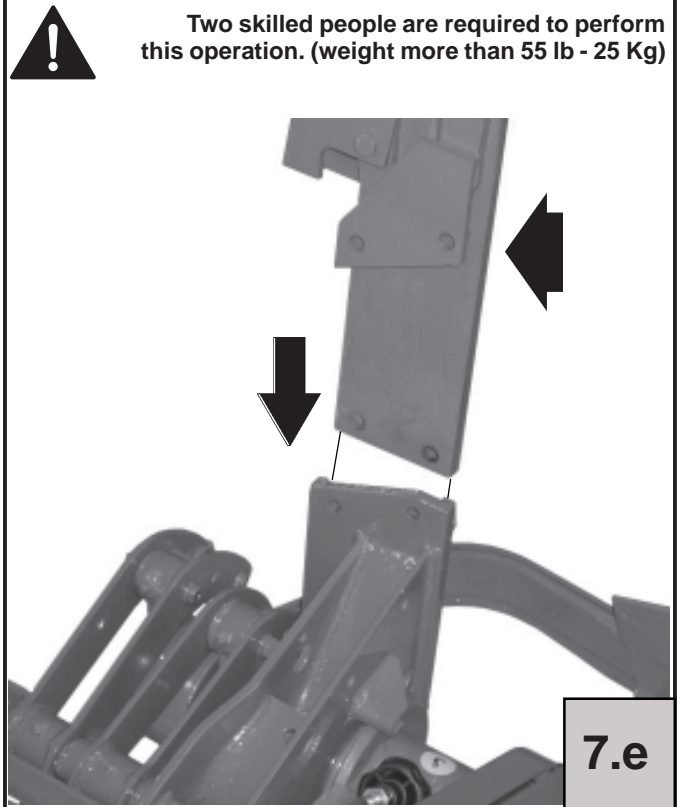
7.c

ASSEMBLY

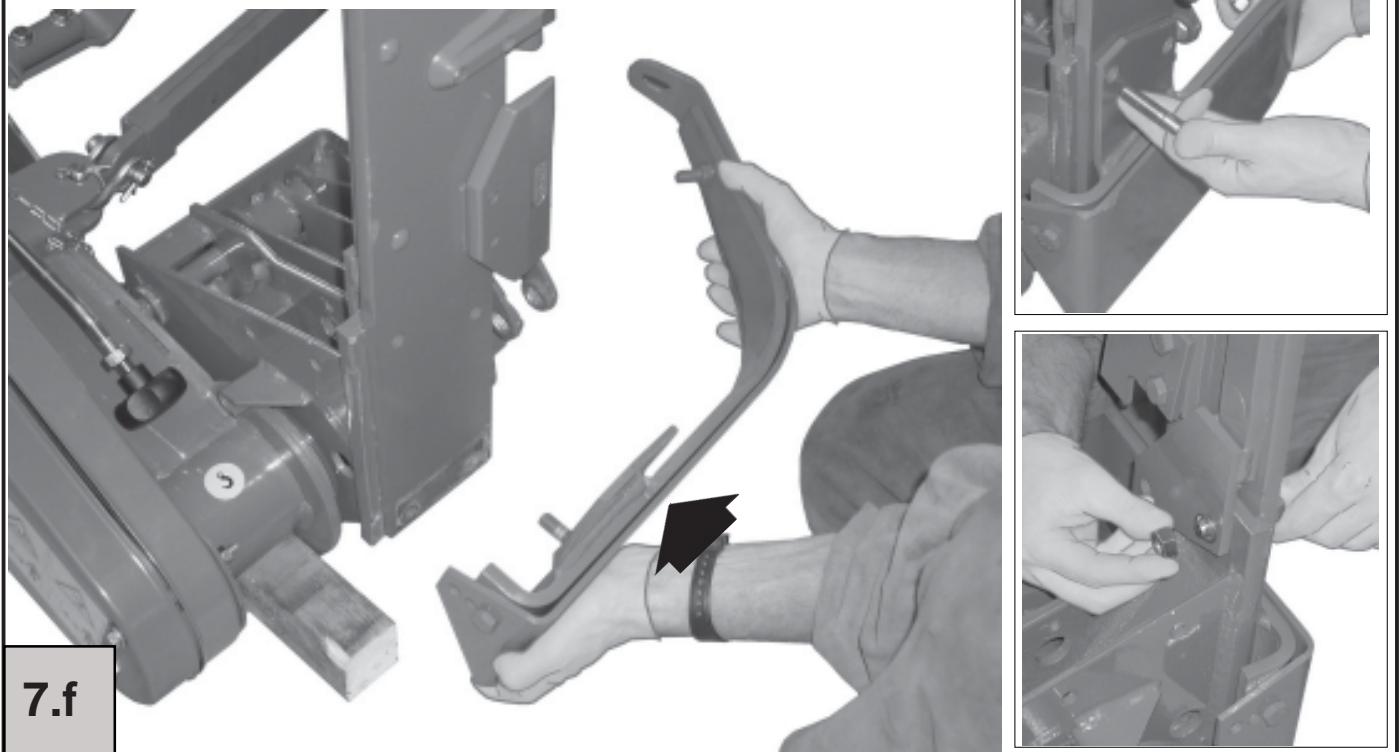
Remove the blade holder nuts and washers



Insert the blade holder vertically into the hinge guide

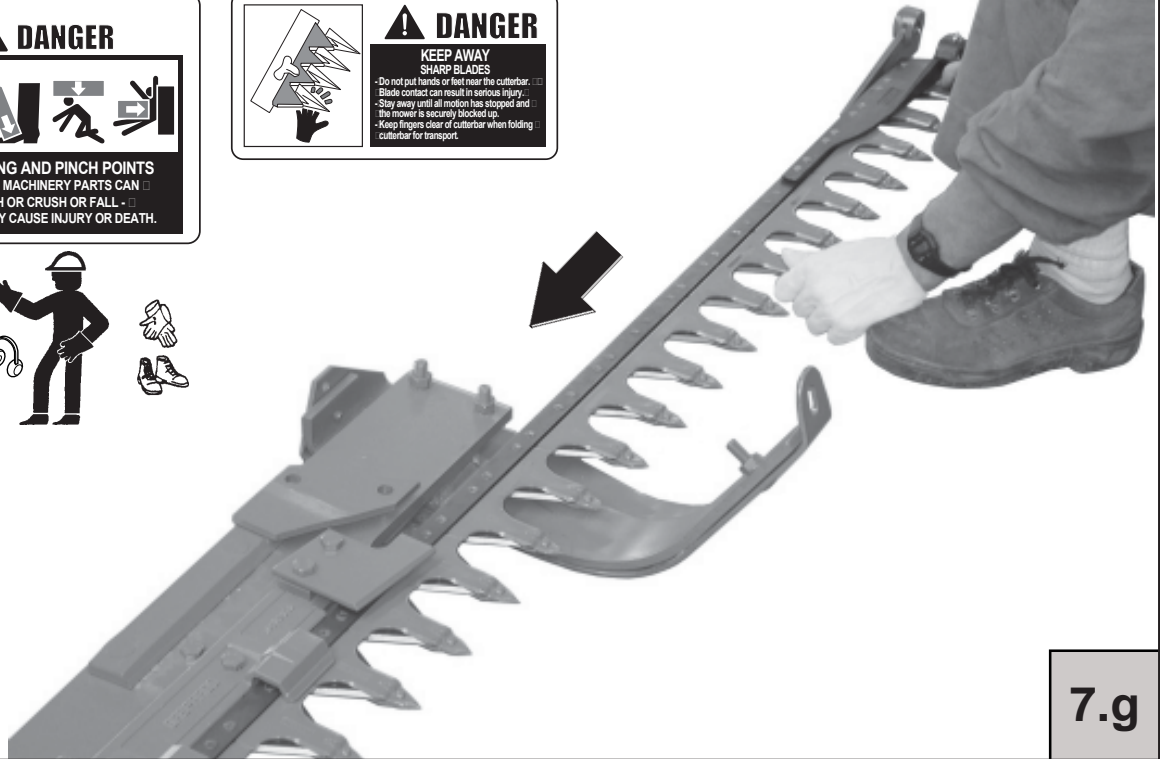


Insert the internal slide on the blade holder and secure it with the supplied screws, nuts and washers



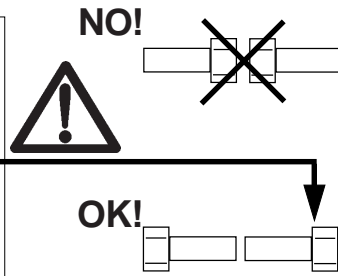
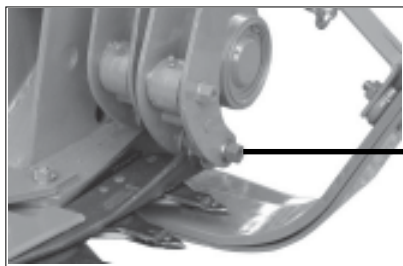
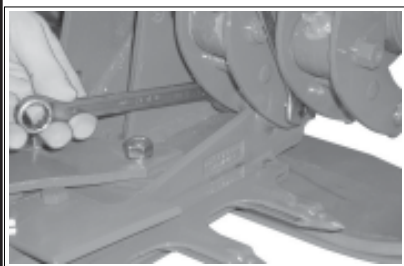
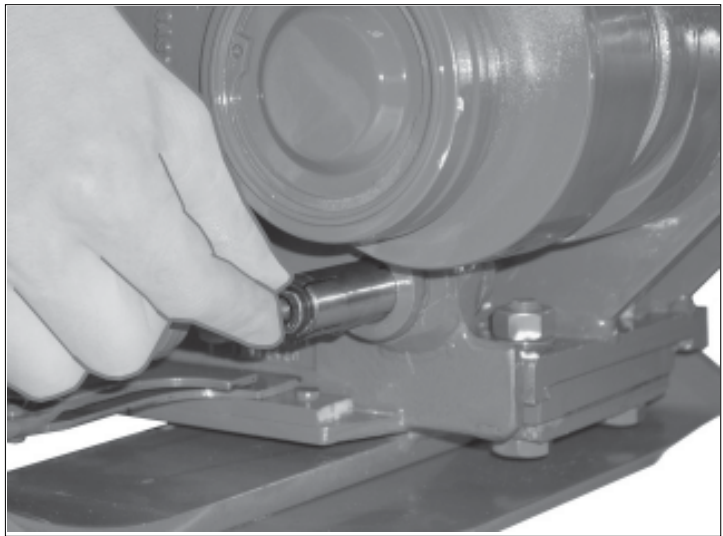
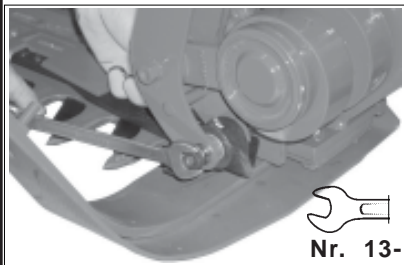
ASSEMBLY

Reinstall the blade-tooth and blade-coupling section on the blade holder



7.g

Center the blade head with the hinge forks and insert the well lubricated expansion pins



7.h

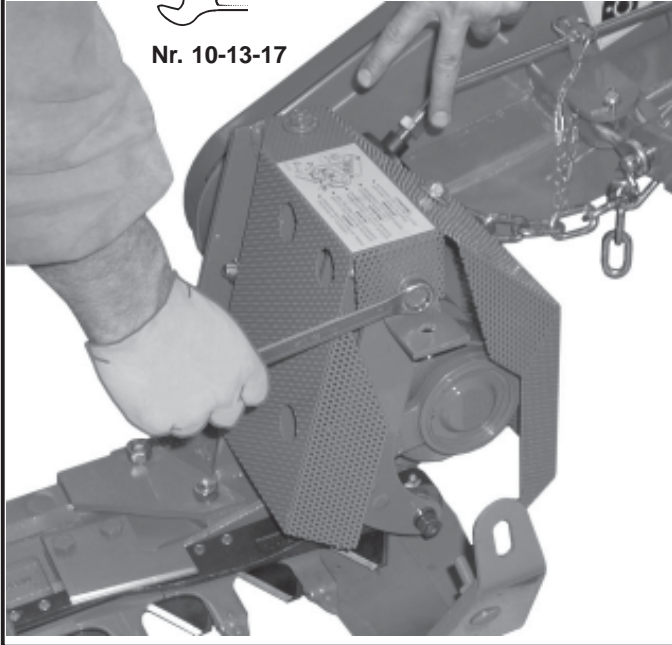
ASSEMBLY

7.i

Reinstall the protection on the connecting rod



Nr. 10-13-17



7.l

Install the grass guard bar



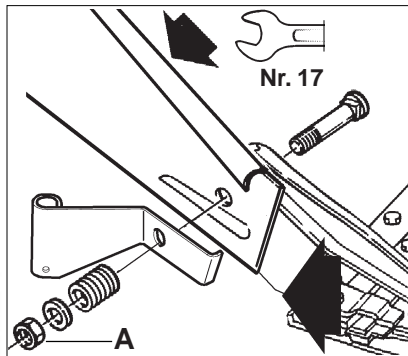
Nr. 17



Install the moving guide and hazard bar



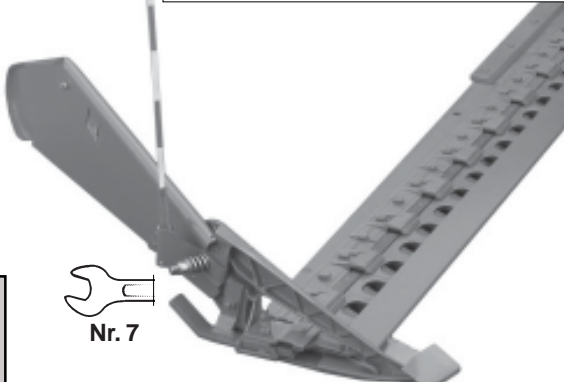
Do not tighten securing nut (A) on the moving guide completely: allow for proper movement of the guide.



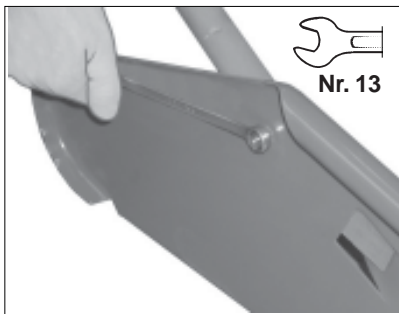
7.m



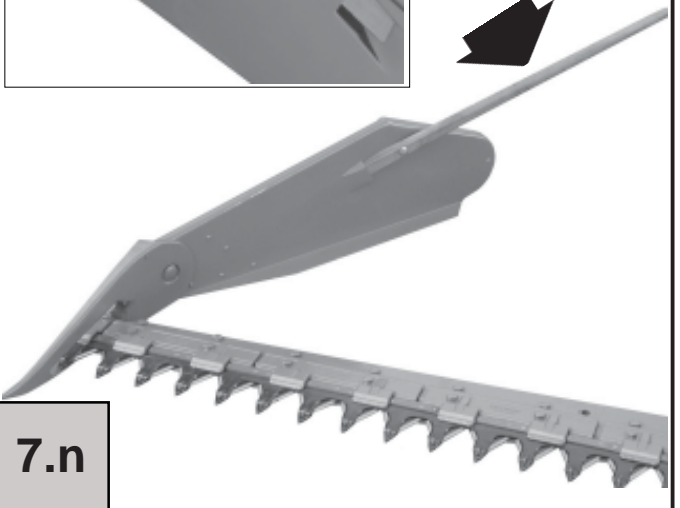
Nr. 7



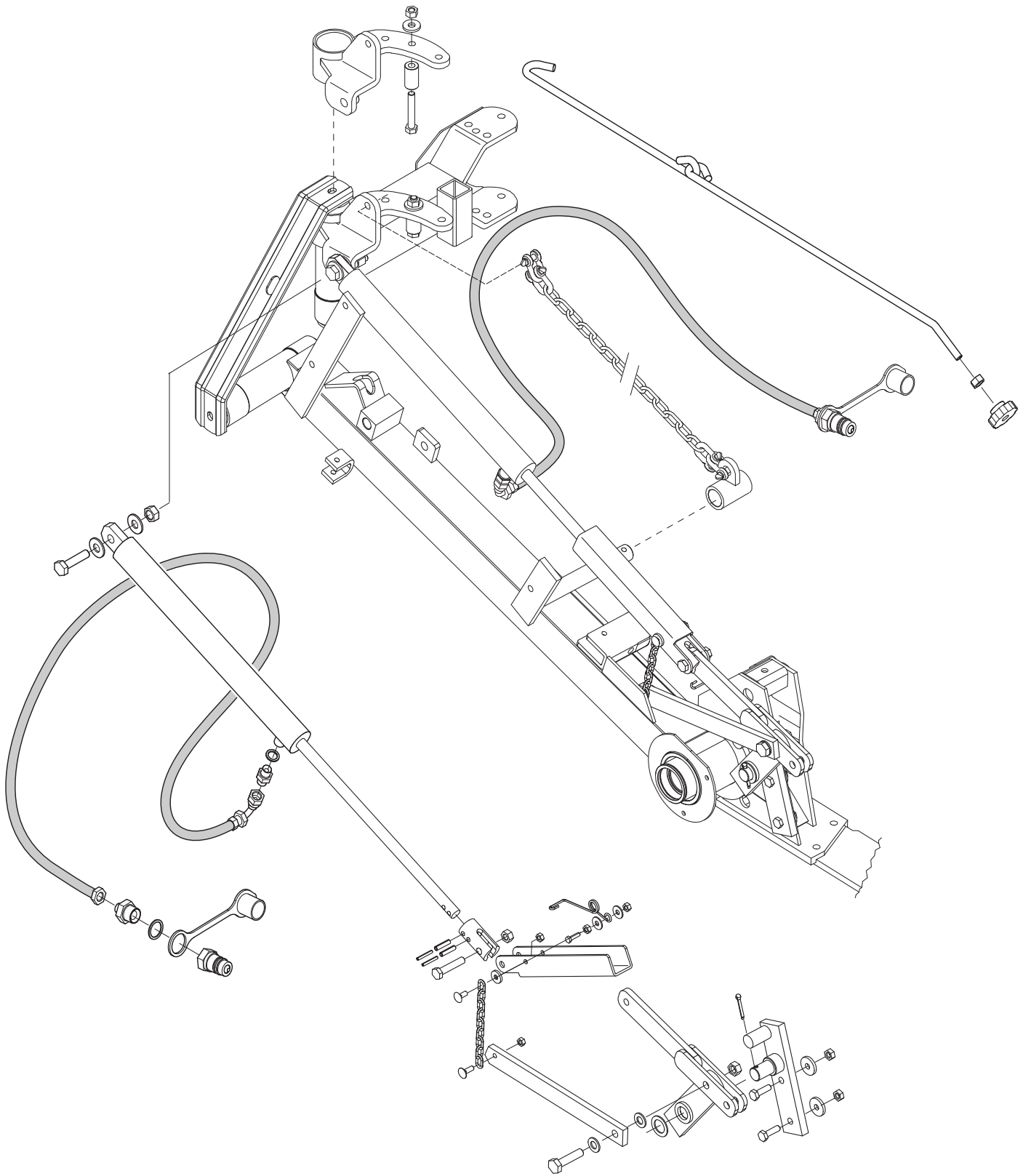
Secure the stay on the moving guide



7.n



ASSEMBLY



SPARE PARTS

Spare parts

Orders must be transmitted through our area dealers and should always include the following indications:

- **Type, model and serial number of the machine.** These data are punched on the data plate with which every implement is equipped.
- **Code number of the required spare part.** This will be found in the spare parts catalogue.
- **Description of the part and required quantity.**
- **Means of dispatch.** If this item is not indicated, the Manufacturer, while dedicating particular care to this service, shall not be held responsible for delays in delivery caused by cases of force majeure. Transport expenses shall always be at the consignee's charge. The goods travel at the purchaser's risk and peril even when sold ex destination.

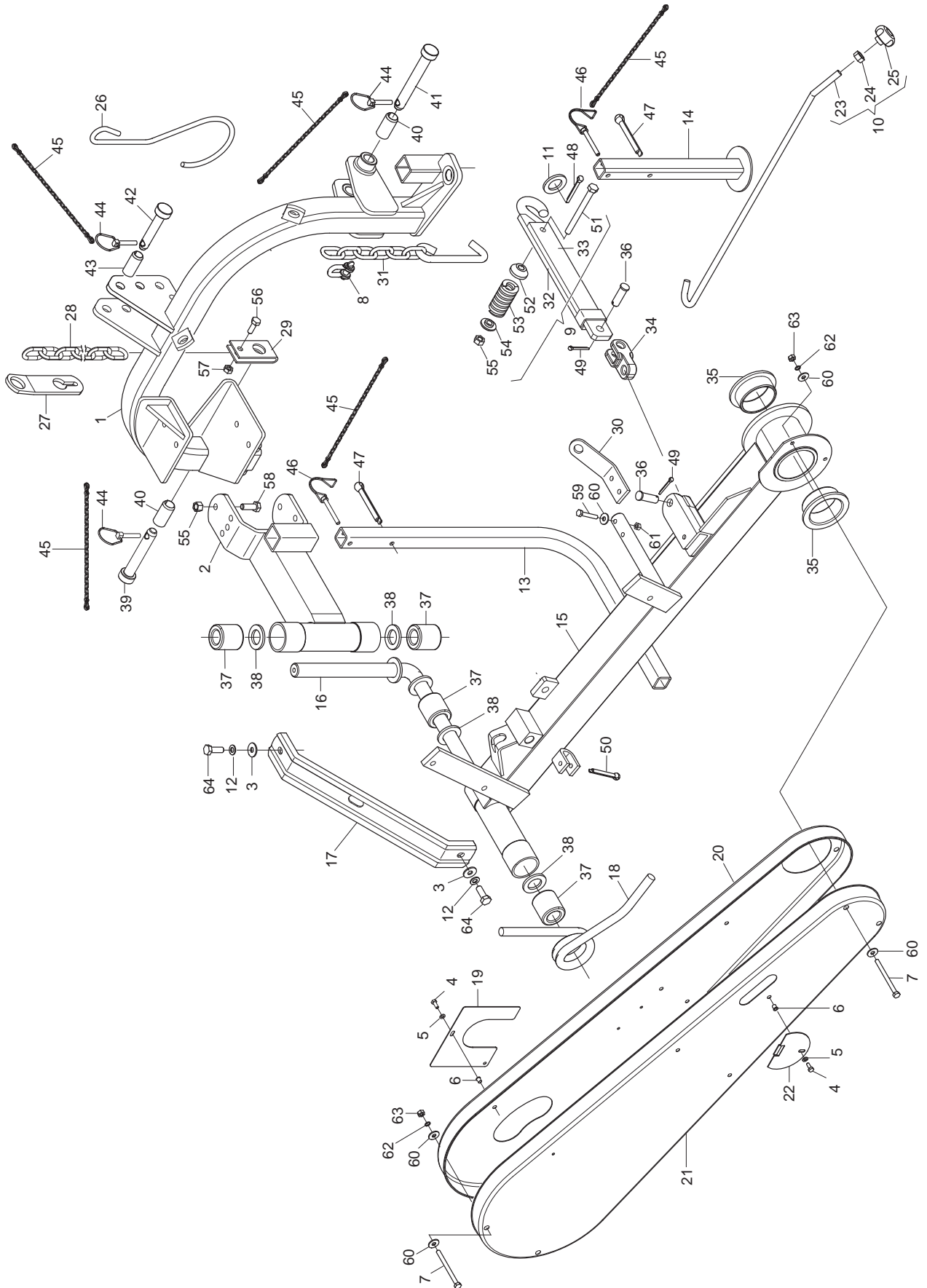
NOTE: The terms Right or Left indicated in the descriptions refer to the implement when viewed from the rear side.

Table index

Frame	Tav. 951/12	pag. 46
Transmission	Tav. 951/21	pag. 48
Hinge	Tav. 951/31	pag. 50
Cutting blade (replaceable tooth)	Tav. 951/55	pag. 52
Hydraulic lifting system	Tav. 951/63	pag. 54

SPARE PARTS

TAV. 951/12



SPARE PARTS

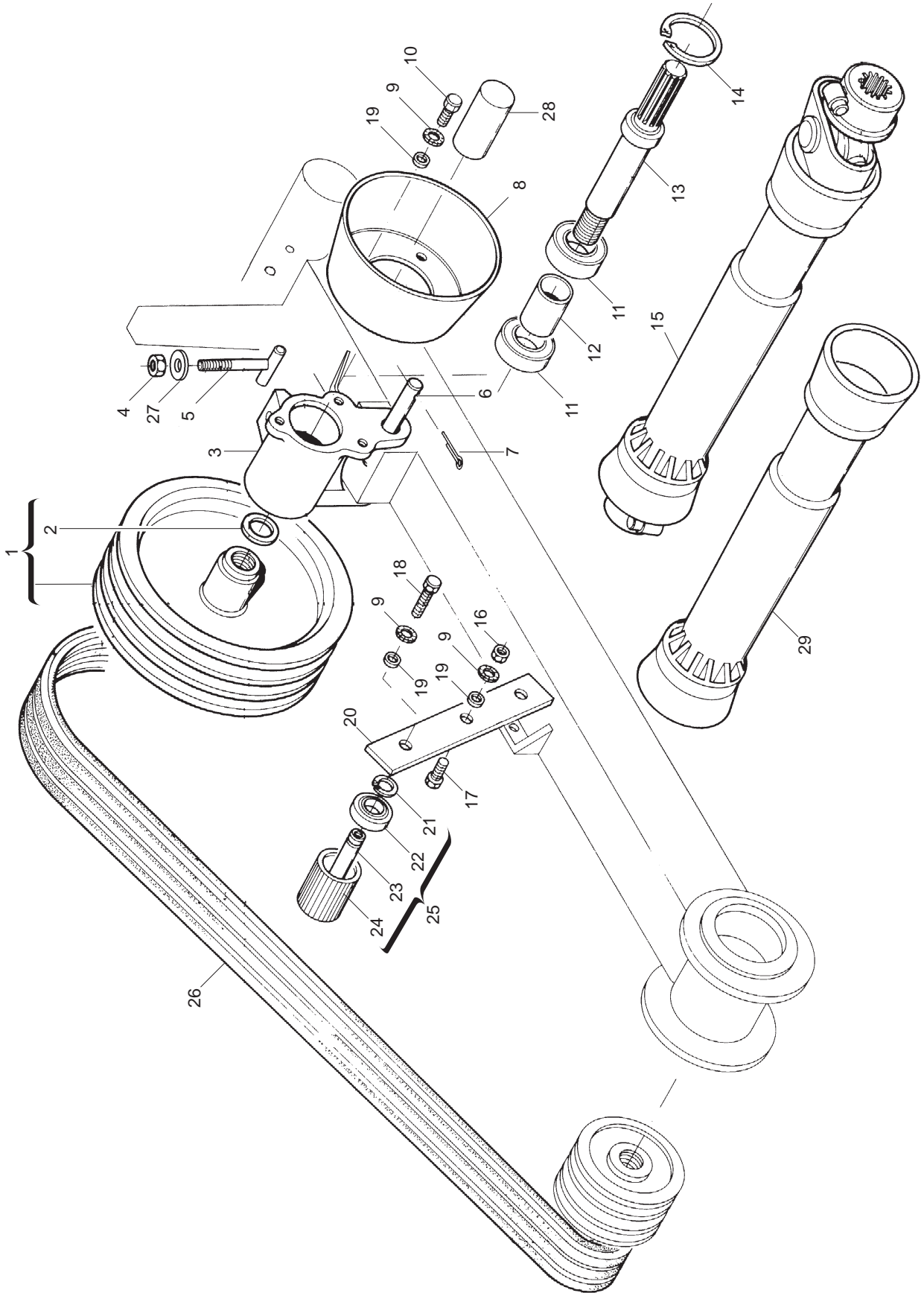
TAV. 951/12

FRAME

Pos.	Cod.	Description	Pos.	Cod.	Description
1	G12217591	FBR FRAME	39	F20100047	PIN
2	G12217821	JOINT	40	G21010042	BUSHING 1.-2. POINT
3	G12217600	LONG ARM	41	F20100115	GASPARDO PIN 22X144 ZN
4	G12217610	SHORT ARM	42	F20100035	PIN
5	G12217620	ARM SPACER	43	G12217660	THIRD POINT BUSH
6	G21120006	LIFTER ROCKER	44	F02200507	SNAP PIN D 9 B/83
7	G12210460	ARM SIDE CHAIN L.600	45	G13812311	CHAIN WITH SPRING CATCH
8	F02250667	CLEVIS- 3/8- GALVANISED- ART.	46	F02200562	SPLIT PIN D.8X70 ZB
9	F01020323	SCREW M20X200 U5737 8.8 ZB	47	F02200272	SPLIT PIN 10 X60 1336 GALVAN.
10	F01222092	SELF LOCKING NUT M20X2,5 980V	48	F02200259	SPLIT PIN 8X45 1336
11	F01020566	BOLT M16X2X40	49	F02200195	SPLIT PIN 4 X25 1336 GALVAN.
12	F012220266	NUT M16X 2 D980 8 ZG	50	F02200260	SPLIT PIN 8 X60 1336 GALVAN.
13	G12217810	PROP TUBE	51	F01020176	BOLT M 12X130
14	G12217650	FRONT PROP	52	G21120301	CONE DISCONNECT FB940
15	G12217800	HINGE BEARING ARM	53	F02400013	SPRING G 38X75 SPECIAL SPRINGS
16	G21030010	ARM ARTICULATION	54	G22310047	REAR ARM BUSHING DP
17	G21120212	JOINT ELEMENT FB/S	55	F01230058	SELF LOCKING NUT M12X1,25
18	G21120319	HINGE ARM SPRING FB940	56	F01020476	BOLT M 10X30
19	G12236470	DRIVEN AXLE PULLY PROTECTION	57	F01220033	NUT M10X 1,5 D980 8 ZB
20	G21120215	INNER PROTECTION CASE FB/S	58	F01020512	SCREW M 12X35
21	G21120216	OUTER PROTECTION CASE FB/S	59	F01020072	BOLT M 8X1,25X50 U5737 8.8 ZG
22	G21120217	INSPECTION OPENING COVER-GUARD	60	G20970140	WASHER 20X2X8,5
23	G12216400	TIE ROD	61	F01230034	SELF LOCKING NUT M8X1,25
24	F01200306	NUT M14X2	62	F01430059	WASHER D8 DIN 6798 D.INT.ZN
25	F06220011	6-LOBE HANDWHEEL M14	63	F01200244	NUT M8
26	F20120400	SHAFT HOOK	64	F01020510	BOLT M 12X30
27	G21030007	TRACTOR COUPLING PLATE	65	F01430071	WASHER D12 DIN 6798 D.INT.ZN
28	G21030035	CHAIN L.900	66	G20970035	WASHER 32X4X13
29	G21030034	FRAME COUPLING	67	F01020403	BOLT M 6X16
30	G21120308	SAFETY HOOK COUPLING FB940	68	F01410037	PLANE WASHER D.6
31	G12217710	SAFETY CHAIN HOOK	69	F02250680	THREADED INSERT M6X13 ZN
32	G12217680	SLIDING ROD	70	F01020092	BOLT 8 X110 5737 8.G GALVANIZ.
33	G12217761	SNAP TIE ROD GUIDE	71	G12217691	TRIP TIE-ROD
34	G12217950	FORK FOR TRIP TIE-ROD	72	G21120211	CUTTER BAR TIE ROD FB/S
35	G66248064	HINGE ARM BUSHING FB.	73	F01410124	PLANE WASHER D20 UNI 6592 ZN
36	F20100504	U BOLT PIN D.16X45	74	G12217970	NARROW ROADWAY ARM
37	G21030027	RUBBER BLOCKS	75	G12217980	ARM SPACER
38	G20970067	WASHER 54X5X32	76	F01020317	BOLT M20X2,5X150

SPARE PARTS

TAV. 951/21



SPARE PARTS

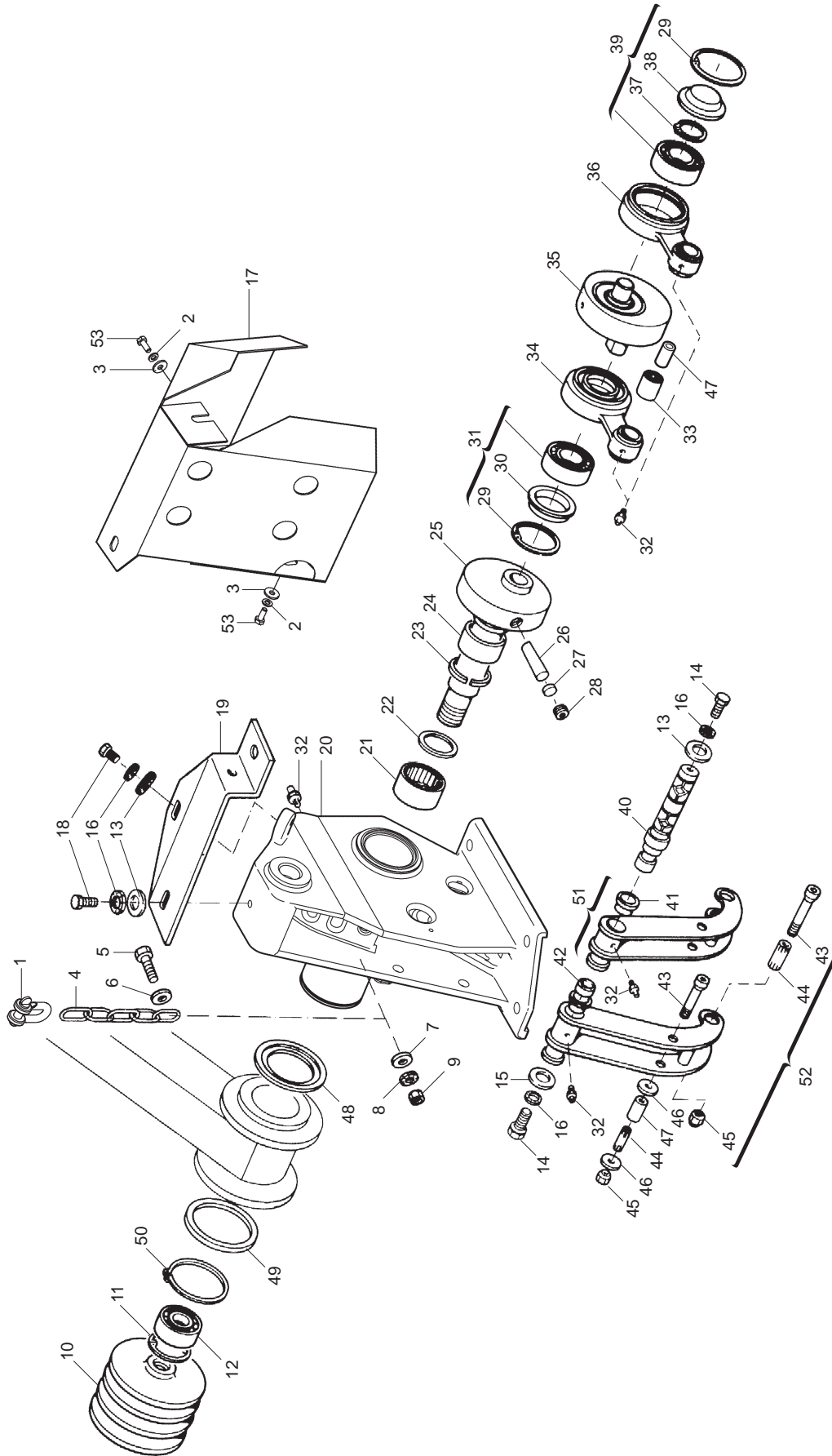
TAV. 951/21

TRANSMISSION

Pos.	Cod.	Description	Pos.	Cod.	Description
1	G21120117	3 GROOVE DRIVING PULLEY			
2	G20970129	WASHER 48X3X30-5			
3	G21030015	PTO SUPPORT			
4	F01200306	NUT M14X2			
5	G21120318	BELT REGISTER ASSY. FB940			
6	G21120013	INTERM. TRANSM. SUPP. PIN			
7	F02200227	SPLIT PIN 5 X30 1336 GALVAN.			
8	F05150403	POWER TAKE-OFF PROTECTION HOUS			
9	F01430059	WASHER D8 DIN 6798 D.INT.ZN			
10	F01020432	BOLT M8X16			
11	F04010174	BEARING 6206 2RS			
12	G21030020	SPACER			
13	G21120152	POWER TAKE-OFF FB			
14	F02050392	SEEGER RING E. 62X 2 U7437 C70			
15	F08011755	UNIVERSAL JOINT B3 1000AM			
16	F01200244	NUT M8			
17	F01060043	BOLT 8 X35 5732 4.6 GALVANIZED			
18	F01020440	BOLT M8 X25 5739 8.8 ZN			
19	G20970140	WASHER 20X2X8,5			
20	G21120226	BELT TIGHTENER ROLLERS SUPPORT			
21	F02050056	SEEGER RING E. 17X 1 U7435 C70			
22	F04010161	BEARING 6203			
23	G21120119	3 GROOVE P.TIGHTEN. PIN			
24	G66248107	BELT TIGHTENER L.70 FB			
25	G21120121	TIGHTENER ROLLER 3G. CP			
26	F06010240	BELT- B 93			
27	F01410088	WAS.M14 15X 28X2,5 U6592 ZB			
28	G66248227	POWER TAKE-OFF PROTECTION HOUS			
29	F08011124	SAFETY GUARDAM			

SPARE PARTS

TAV. 951/31



SPARE PARTS

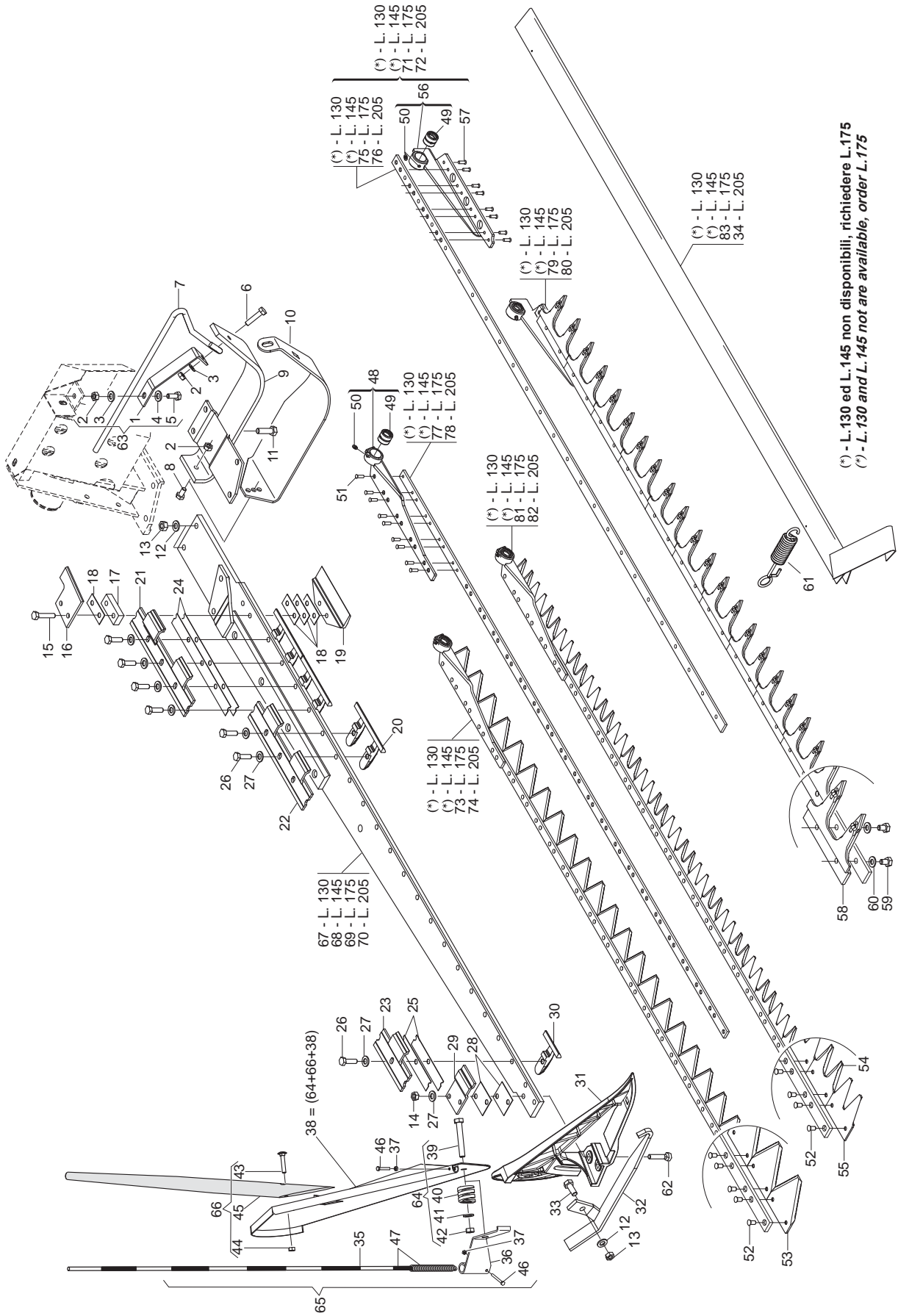
TAV. 951/31

HINGE

Pos.	Cod.	Description	Pos.	Cod.	Description
1	F02250667	CLEVIS- 3/8- GALVANISED- ART.	39	G21120154	KIT- EXT. CONN. ROD BEARING FB
2	F01430047	WASHER D6 DIN 6798 D.INT.GALV.	40	G21120224	HINGE BLADE SHAFT - ASSY.
3	F01420036	FLAT WASHER 6-6X 18X2 6593 ZN	41	G21120067	BRONZE BUSHING
4	G12210460	ARM SIDE CHAIN L.600	42	G21120225	BLADES SPACER FB/S
5	F01020514	BOLT M12X1,75X40	43	G21120071	PIN FASTENING BOLT
6	G20970007	WASHER 35X8X13	44	G21120069	EXPANSION PIN FB
7	G20970035	WASHER 32X4X13	45	G21120068	CONICAL NUT
8	F01430071	WASHER D12 DIN 6798 D.INT.ZN	46	G20970519	BOTTOMED WASHER 39X20-25X5X1
9	F01200293	NUT M12	47	G21120137	INTERNAL RING FB
10	G21120118	3-GROOVE DRIVEN PULLEY	48	G21120018	ANTERIOR WASHER
11	F02050392	SEEGER RING E. 62X 2 U7437 C70	49	G20970023	WASHER 102X2X75-2
12	F04010171	BEARING 6206 Z	50	F02050642	STOP RING 75 UNI 7435-75
13	F01420060	WASHER 10,5X30	51	G21120070	BLADE W/ BUSHINGS
14	F01020479	BOLT M 10X35	52	G21120156	KIT- BLADE FASTENING PIN FB
15	G18701140	WASHER 11 X 35 X 5	53	F01020403	BOLT M 6X16
16	F01430023	WASHER D10 DIN 6798 D.INT.ZN			
17	G12236490	CONNECTING-ROD SYSTEM GUARD			
18	F01020472	BOLT 10X25 5739 8.G GALVANIZED			
19	G21120221	BLADE SHAFT SUPPORT FB/S			
20	G12236500	HINGE			
21	F04010363	BEARING DHK 5025			
22	F03011069	SEALING RING DH 50X58X4			
23	F04010409	SHOULDER RING WR 45			
24	F04100131	INTERNAL IR. RING 45X50X35			
25	G21120223	HINGE SPINDLE FB/S			
26	G21120126	CONIC PIN FB			
27	G21120136	PIN SPACER FB			
28	G21120127	PIN GRUB-SCREW FB			
29	F02050403	SEEGER RING E.72X2,5 U7437 C70			
30	G66248111	DUST COVER HINGE FB			
31	G21120153	KIT- INT. CONN. ROD BEARING FB			
32	F01100011	SPHERE NIPPLE M6X1/A			
33	F04010362	BEARING DHK 2538			
34	G21120128	PIN HINGE CONNECTING ROD FB			
35	G21170020	HINGE ECCENTRIC			
36	G21170021	OUTER CONNECTING ROD			
37	F02050112	SEEGER RING 30X 1,5 U7435 C70			
38	G21120028	PROTECTION PLUG			

SPARE PARTS

TAV. 951/55



SPARE PARTS

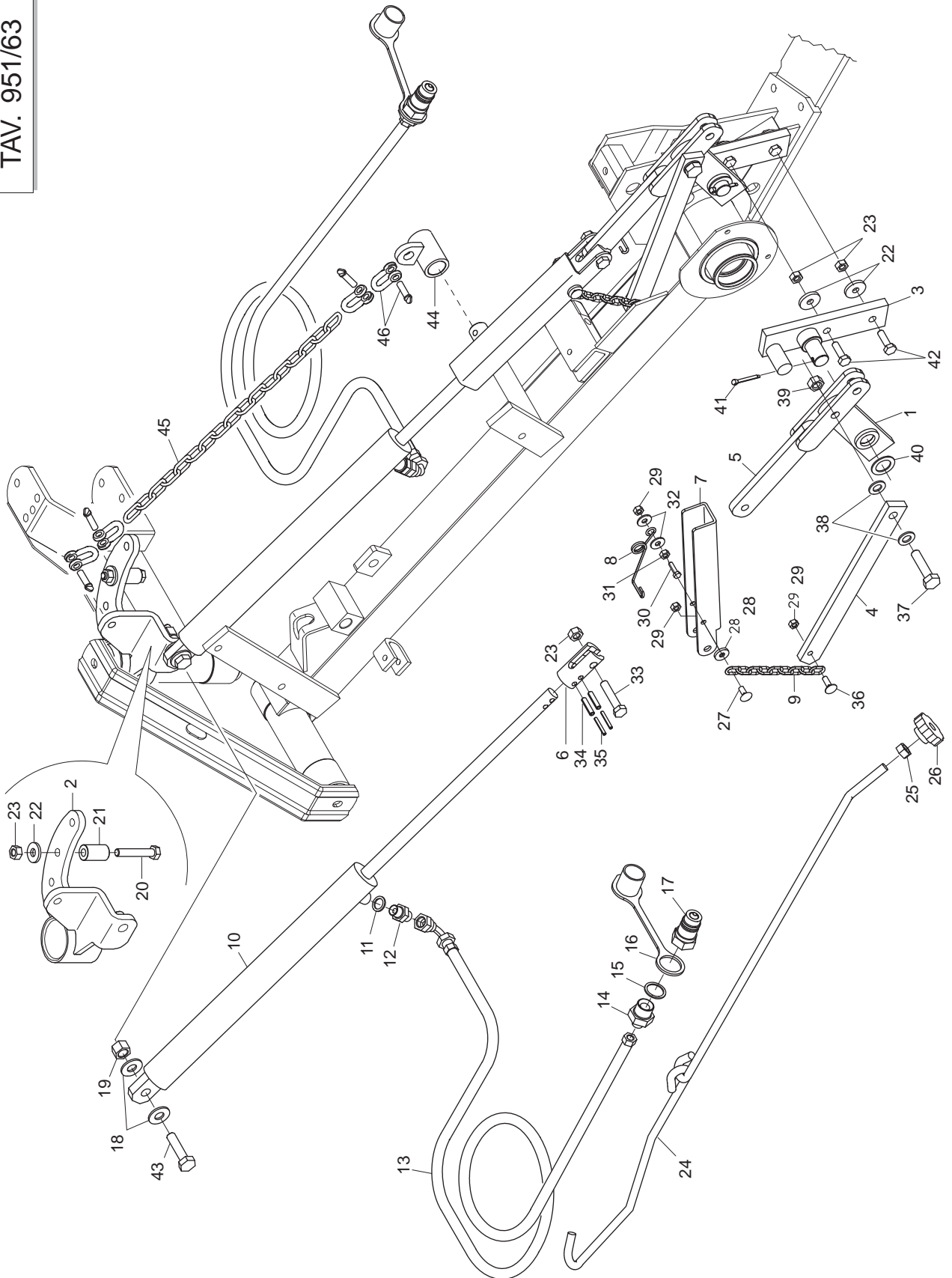
TAV. 951/55

CUTTING BLADE (REPLACEABLE TOOTH)

Pos.	Cod.	Description	Pos.	Cod.	Description
1	G21120321	INNER SLIDE SPACER FB940	43	F01060045	BOLT 8X40 5732 4.6 GALVANIZED
2	F01200270	NUT M10	44	F01230034	SELF LOCKING NUT M8X1,25
3	F01430023	WASHER D10 DIN 6798 D.INT.ZN	45	G20800061	SWATHBOARD ROD ASSY.
4	F01410064	WASHER 10,5X21	46	F01020011	SCREW 4X35 5737 8.G ZN
5	F01020472	BOLT 10X25 5739 8.G GALVANIZED	47	G13011660	INDICATIN BAR
6	F01060077	BOLT 10X45 5732 4.8 GALVANIZED	48	G13013190	COMPL. BLADE HEAD SECTIONS
7	G21120322	HINGE PROTECTION FB940	49	G21120048	BUSHING--BLADE HEAD 28X20X24
8	F01020472	BOLT 10X25 5739 8.G GALVANIZED	50	F01100011	SPHERE NIPPLE M6X1/A
9	G21120323	INTERNAL RUNNER FB940	51	F02250520	PACK BLAD.MOUNT.TSC 6 X19-8 KG
10	G21120324	RUNNER WIDE INT. SLIDE FB940	52	F02250519	PACK BLAD.MOUNT.TSC 6 X13-8
11	F01020154	BOL. M12X1,75X 45 5737 8.8 ZB	53	G21120243	CUT SECTION FB/S
12	F01430071	WASHER D12 DIN 6798 D.INT.ZN	54	G13013550	LOWER DOUBLE POINT SECTION
13	F01200293	NUT M12	55	G13013540	UPPER DOUBLE POINT SECTION
14	F01220033	NUT M10X 1,5 D980 8 ZB	56	G13013230	COMPL. BLADE HEAD w/ REMV. TEE
15	F01020114	BOLT 10X50 5737 8.G GALVANIZED	57	F02250520	PACK BLAD.MOUNT.TSC 6 X19-8 KG
16	G21120312	UPPER INNER BLADE GUIDE FB940	58	G13013830	SPECIAL REMOVABLE TEETH
17	G13011600	INT. BLADE GUIDE SUPPORT	59	F01010222	SCREW 8X1X12 5740 10.9
18	G21120044	SHIMS- LOWER INT. GUIDE	60	F01460138	CONTACT ELAST. WASHER D8
19	G21120045	INNER LOWER BLADE GUIDE	61	G65337002	TRACTION SPRING GUARD FS
20	G13013151	LOWER DOUBLE BLADE GUIDE	62	F01030501	SCREW TSQST 10X45 8.8
21	G19203311	UPPER BLADE INT. GUIDE REMOVAB	63	G13013120	COMPLETE SPACER
22	G19203301	UPPER BLADE GUIDE REMOVABLE TI	64	G21120133	SWATHBOARD BOLT ASSY. FB
23	G13011501	UPPER BLADE GUIDE EXT.REMOVAB	65	G21120134	SWATHBOARD - ASSY. FB
24	G13011510	SHIM FOR UPPER BLADE GUIDE	66	G20800061	SWATHBOARD ROD ASSY.
25	G13011520	UPPER EXT. BLADE GUIDE SHIM	67	G13013390	REMV. TOOTH-HOLDING BAR 1.30
26	F01020480	SCREW 10X35 5739 8.G	68	G13013410	REMV. TOOTH-HOLDING BAR 1.45
27	F01410064	WASHER 10,5X21	69	G13013431	REMV. TOOTH-HOLDING BAR 1.75
28	G21120040	SHIMSMM.1 UPPER EXT. GUIDE	70	G13013471	REMV. TOOTH-HOLDING BAR 2.05
29	G21120039	UPPER OUT. BLADE GUIDE	71	G13013340	BLADE HEAD-TOOTH-HOLDING BAR 1
30	G13013511	LOWER SINGLE BLADE GUIDE	72	G13013350	BLADE HEAD-TOOTH-HOLDING BAR 2
31	G19200903	OUTER BAR SUPPORT FBR	73	G13013580	COMPL. SECTION-HOLDING BAR 1.7
32	G21120038	EXT. RUNNER SLIDE	74	G13013590	COMPL. SECTION-HOLDING BAR 2.0
33	F01020512	SCREW 12X35	75	G13013300	REMV. TOOTH-HOLDING BAR 1.75
34	G21120112	COMPLETE PROTECTION MT 2,05	76	G13013310	REMV. TOOTH-HOLDING BAR 2.05
35	G13011640	INDICATION BAR	77	G21120246	ROD SECTIONS MT. 1.75 FB/S
36	G13011650	INDICATION BAR SUPPORT	78	G21120247	ROD SECTIONS MT. 2.05 FB/S
37	F01230016	NORM.SELF-LOCKING NUT 4 GALVAN	79	G13013771	COMPL. REMV.-TOOTHED BLADE FBR
38	G21120134	SWATHBOARD - ASSY. FB	80	G13013781	COMPL. REMV.-TOOTHED BLADE FBR
39	F01060105	BOLT 12X80 5732 4.6 GALVANIZED	81	G13013670	DOUBLE-TIP SECTION BLADE R.T 1
40	G65338001	ZN SWATHBOARD COMP. SPRING. F	82	G13013680	DOUBLE SECTION BLADE GUIDE P.D
41	F01410076	PLANE WASHER D12 UNI 6592 ZN	83	G21120054	GUARD - PROTECTION MT.1-75
42	F01230058	SELF LOCKING NUT M12X1,25			

SPARE PARTS

TAV. 951/63



SPARE PARTS

HYDRAULIC LIFTING SYSTEM

TAV. 951/63

Pos.	Cod.	Description	Pos.	Cod.	Description
1	G12217880	LIFTING ROD	39	F01230072	SELF LOCKING NUT M14X1,5
2	G12218070	CYLINDER LINKAGE DEVICE	40	G20970070	WASHER 40X2X26
3	G12217860	LIFTING PLATE	41	F02200228	SPLIT PIN 5 X35 1336 GALVAN.
4	G12217910	LIFTING ARTICULATION BAR	42	F01020152	BOLT M12X1,75X 40 5737 8.8 ZB
5	G12217900	FORK LEVER CONNECTION	43	F01020260	BOLT M16X2X70 U5737 8.8 ZG
6	G12216820	CYLINDER COUPLING	44	G12218030	TIE-ROD BUSH
7	G12217920	LIFTING BAR EDGE	45	G12210460	ARM SIDE CHAIN L.600
8	G18903780	UPPER HOOK TORSION SPRING	46	F02250667	CLEVIS-3/8- GALVANISED-ART.
9	G12217930	CHAIN D.5 L.194			
10	G14911000	CYLINDER D.40-D.20-380			
11	F03151238	1/4 COPPER WASHER			
12	G16011690	UPRIGHT 1/4" NIPPLE WITH GRUB			
13	G23440517	PIPE 1/4R2 C-F 1/4 L2000 HL/ID			
14	F03150211	NIPPLE 1/4-1/2			
15	F03151237	1/2 COPPER WASHER			
16	F05150325	COVER 1/2			
17	F03150935	QUICK CONNECT MALE CONE 1/2 CO			
18	G20970111	WASHER 29,8X2X16,5			
19	F01230084	SELF LOCKING NUT M16X1,5			
20	F01020166	BOLT 12X80 5737 8.G GALVANIZED			
21	G18802150	BOSHING 12.3X25X42			
22	G20970085	WASHER 40X4X13			
23	F01230058	SELF LOCKING NUT M12X1,25			
24	G12217450	BLADE TIE ROD ZN			
25	F01200306	NUT M14X2			
26	F06220011	6-LOBE HANDWHEEL M14			
27	F01060040	BOLT 8 X20 5732 4.6 GALVANIZED			
28	G20970104	WASHER 21X4X8-5			
29	F01220022	SELF LOCKING NUT M8X1,25 980V			
30	F01020441	SCREW 8 X25 5739 8.G			
31	F01200244	NUT M8			
32	F01420048	PLANE WASHER D.8			
33	F01020162	BOLT M12X1,75X65 U5737 8.8 ZG			
34	F02100141	PIN EL. 8 X36 DIN 1481			
35	F02100089	PIN EL. 5 X36 DIN 1481			
36	F01060041	BOLT 8 X25 5732 4.6 GALVANIZED			
37	F01020207	BOLT M 14X70			
38	F01410088	WAS.M14 15X 28X2.5 U6592 ZB			

WARRANTY

WARRANTY

MASCHIO GASPARDO warrants this product to be free from defect in material and workmanship. Except as otherwise set forth below, the duration of this Warranty shall be for TWELVE (12) MONTHS COMMENCING ON THE DATE OF DELIVERY OF THE PRODUCT TO THE ORIGINAL PURCHASER.

Under no circumstances will this Warranty apply in the event that the product, in the good faith opinion of MASCHIO GASPARDO, has been subjected to improper operation, improper maintenance, misuse, or an accident. This Warranty does not apply in the event that the product has been materially modified or repaired by someone other than MASCHIO GASPARDO, a MASCHIO GASPARDO authorized dealer or distributor, and/or a MASCHIO GASPARDO authorized service center. This Warranty does not cover normal wear or tear, or normal maintenance items. This Warranty also does not cover repairs made with parts other than those obtainable through MASCHIO GASPARDO.

This Warranty is extended solely to the original purchaser of the product. Should the original purchaser sell or otherwise transfer this product to a third party, this Warranty does not transfer to the third party purchaser in any way. There are no third party beneficiaries of this Warranty.

MASCHIO GASPARDO makes no warranty, express or implied, with respect to engines, batteries, tires or other parts or accessories not manufactured by FRONTIER. Warranties for these items, if any, are provided separately by their respective manufacturers.

MASCHIO GASPARDO' obligation under this Warranty is limited to, at MASCHIO GASPARDO' option, the repair or replacement, free of charge, of the product if MASCHIO GASPARDO, in its sole discretion, deems it to be defective or in noncompliance with this Warranty. **The product must be returned to MASCHIO GASPARDO S.p.A. with proof of purchase within thirty (30) days after such defect or noncompliance is discovered or should have been discovered, routed through the dealer and distributor from whom the purchase was made, transportation charges prepaid.** MASCHIO GASPARDO shall complete such repair or replacement within a reasonable time after MASCHIO GASPARDO receives the product.

THERE ARE NO OTHER REMEDIES UNDER THIS WARRANTY. THE REMEDY OF REPAIR OR REPLACEMENT IS THE SOLE AND EXCLUSIVE REMEDY UNDER THIS WARRANTY.

THERE ARE NO WARRANTIES WHICH EXTEND BEYOND THE DESCRIPTION ON THE FACE OF THIS WARRANTY. MASCHIO GASPARDO MAKES NO OTHER WARRANTY, EXPRESS OR IMPLIED, AND MASCHIO GASPARDO SPECIFICALLY DISCLAIMS ANY IMPLIED WARRANTY OF MERCHANTABILITY AND/OR ANY IMPLIED WARRANTY OF FITNESS FOR A PARTICULAR PURPOSE.

MASCHIO GASPARDO shall not be liable for any incidental or consequential losses, damages or expenses, arising directly or indirectly from the product, whether such claim is based upon breach of contract, breach of warranty, negligence, strict liability in tort or any other legal theory. Without limiting the generality of the foregoing, MASCHIO GASPARDO specifically disclaims any damages relating to (i) lost profits, business, revenues or goodwill; (ii) loss of crops; (iii) loss because of delay in harvesting; (iv) any expense or loss incurred for labor, supplies, substitute machinery or rental; or (v) any other type of damage to property or economic loss.

This Warranty is subject to any existing conditions of supply which may directly affect MASCHIO GASPARDO' ability to obtain materials or manufacture replacement parts.

No agent, representative, dealer, distributor, serviceperson, salesperson, or employee of any company, including without limitation, MASCHIO GASPARDO, its authorized dealers, distributors, and service centers, is authorized to alter, modify, or enlarge this Warranty.

This Warranty is effective only if the warranty registration is returned within ten (10) days.

For warranty services contact your selling dealer.

WARRANTY

WARRANTY FOR REPLACEMENT PARTS

MASCHIO warrants this product to be free from defect in material and workmanship for a period of ninety (90) days from the date of delivery of the product to the original purchaser.

Under no circumstances will this Warranty apply in the event that the product, in the good faith opinion of MASCHIO GASPARDO, has been subjected to improper operation, improper maintenance, misuse, or an accident. This Warranty does not cover normal wear or tear, or normal maintenance items.

This Warranty is extended solely to the original purchaser of the product. Should the original purchaser sell or otherwise transfer this product to a third party, this Warranty does not transfer to the third party purchaser in any way. There are no third party beneficiaries of this Warranty.

MASCHIO GASPARDO' obligation under this Warranty is limited to, at MASCHIO GASPARDO' option, the repair or replacement, free of charge, of the product if MASCHIO GASPARDO, in its sole discretion, deems it to be defective or in noncompliance with this Warranty. **The product must be returned to MASCHIO GASPARDO with proof of purchase within thirty (30) days after such defect or noncompliance is discovered or should have been discovered, routed through the dealer and distributor from whom the purchase was made, transportation charges prepaid.** MASCHIO GASPARDO shall complete such repair or replacement within a reasonable time after MASCHIO GASPARDO receives the product. THERE ARE NO OTHER REMEDIES UNDER THIS WARRANTY THE REMEDY OF REPAIR OR REPLACEMENT IS THE SOLE AND EXCLUSIVE REMEDY UNDER THIS WARRANTY.

THERE ARE NO WARRANTIES WHICH EXTEND BEYOND THE DESCRIPTION ON THE FACE OF THIS WARRANTY. MASCHIO GASPARDO MAKES NO OTHER WARRANTY, EXPRESS OR IMPLIED, AND MASCHIO GASPARDO SPECIFICALLY DISCLAIMS ANY IMPLIED WARRANTY OF MERCHANTABILITY AND/OR ANY IMPLIED WARRANTY OF FITNESS FOR A PARTICULAR PURPOSE.

MASCHIO GASPARDO shall not be liable for any incidental or consequential losses, damages or expenses, arising directly or indirectly from the product, whether such claim is based upon breach of contract, breach of warranty, negligence, strict liability in tort or any other legal theory. Without limiting the generality of the foregoing, MASCHIO GASPARDO specifically disclaims any damages relating to (i) lost profits, business, revenues or goodwill; (ii) loss of crops; (iii) loss because of delay in harvesting; (iv) any expense or loss incurred for labor, supplies, substitute machinery or rental; or (v) any other type of damage to property or economic loss.

This Warranty is subject to any existing conditions of supply which may directly affect MASCHIO GASPARDO' ability to obtain materials or manufacture replacement parts.

No agent, representative, dealer, distributor, service person, salesperson, or employee of any company, including without limitation, MASCHIO GASPARDO, its authorized dealers, distributors, and service centers, is authorized to alter, modify, or enlarge this Warranty.

For warranty services contact your selling dealer.

ALWAYS USE ORIGINAL SPARE PARTS



DEALER:



MASCHIO GASPARDO SpA
Sede legale e stabilimento produttivo
Via Marcello, 73 - 35011
Campodarsego (Padova) - Italy
Tel. +39 049 9289810
Fax +39 049 9289900
Email: info@maschio.com
www.maschionet.com

MASCHIO GASPARDO SpA
Stabilimento produttivo
Via Mussons, 7 - 33075
Morsano al Tagliamento (PN) - Italy
Tel. +39 0434 695410
Fax +39 0434 695425
Email: info@gaspardo.it



G19502741

MASCHIO DEUTSCHLAND GMBH
Äußere Nürnberger Straße 5
D - 91177 Thalmässing
Deutschland
Tel. +49 (0) 9173 79000
Fax +49 (0) 9173 790079

MASCHIO FRANCE Sarl
1, Rue de Mérignan ZA
F - 45240 La Ferte St. Aubin
France
Tel. +33 (0) 2.38.64.12.12
Fax +33 (0) 2.38.64.66.79

MASCHIO IBERICA S.L.
Calle Cabernet, 10
Poligono Industrial Clot de Moja
Olerdola - 08734 Barcelona
Tel. +34 93.81.99.058
Fax +34 93.81.99.059

MASCHIO-GASPARDO USA Inc
120 North Scott Park Road
Eldridge, IA 52748 - USA
Ph. +1 563 2859937
Fax +1 563 2859938
e-mail: info@maschio.us

000 МАСКИО-ГАСПАРДО РУССИЯ
Улица Пушкина, 117 Б
404126 Волжский
Волгоградская область
Тел. +7 8443 525065
факс. +7 8443 525064

MASCHIO-GASPARDOROMANIA S.R.L.
Strada Înfrăţirii, F.N.
315100 Chisineu-Cris (Arad) - România
Tel. +40 257 307030
Fax +40 257 307040
e-mail: maschio@maschio.ro

MASCHIO-GASPARDO POLAND
MASCHIO-GASPARDO UCRAINA
GASPARDO BIELORUSSIA
MASCHIO MIDDLE EAST

MASCHIO-GASPARDO CANADA Inc
GASPARDO-MASCHIO TURCHIA
MASCHIO-GASPARDO CINA
MASCHIO-GASPARDO KOREA