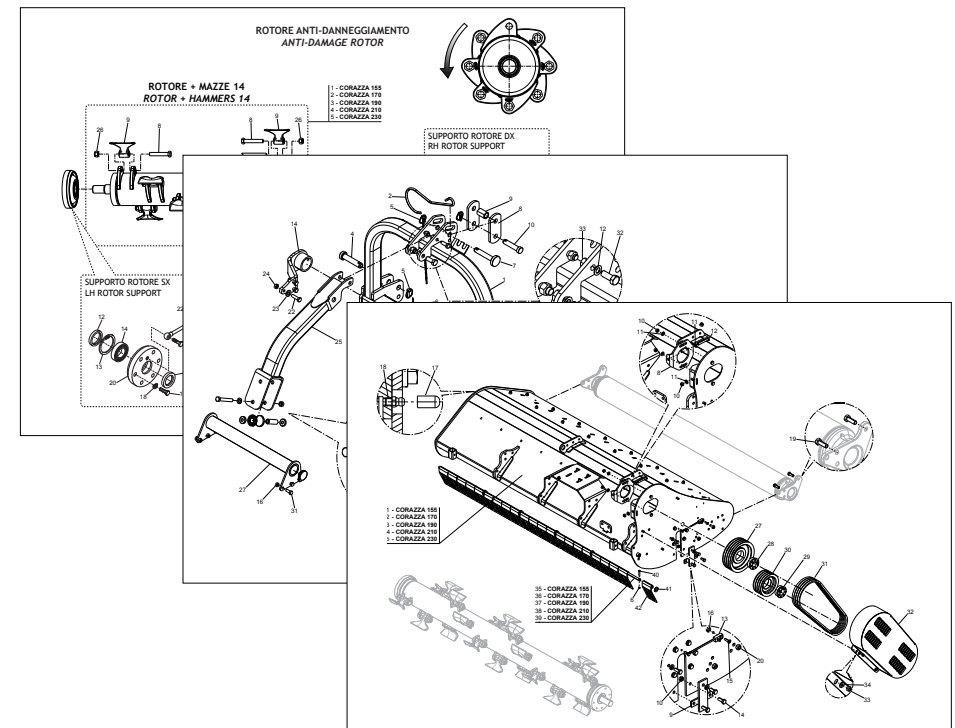


**MASCHIO GASPARDO S.p.A.**



# CORAZZA

**Cod: F07021008**

**2017-05**

- \*) Valido per Paesi UE
- \*) Valid for EU member countries
- \*) Valable dans les Pays UE
- \*) Gilt für EU-Mitgliedsländer
- \*) Válido para Países UE

- IT** PARTI DI RICAMBIO
- EN** SPARE PARTS
- DE** ERSATZTEILE
- FR** PIÈCES DÉTACHÉES
- ES** PIEZAS DE REPUESTO

ITALIANO	ENGLISH	DEUTSCH	FRANÇAIS	ESPAÑOL
<b>PARTI DI RICAMBIO</b>	<b>SPARE PARTS</b>	<b>ERSATZTEILE</b>	<b>PIECES DÉTACHÉES</b>	<b>RESPUESTOS</b>
Le ordinazioni delle parti di ricambio vanno fatte presso i nostri concessionari di zona e devono essere sempre corredate dalle seguenti indicazioni:	<i>Orders must be transmitted through our area dealers and should always include the following indications:</i>	Die Bestellungen müssen bei unseren Gebietshändler angegeben werden. Bei der Bestellung sind stets die folgenden Angaben zu machen:	<i>Les ordres doivent être effectués auprès de nos concessionnaires de zone en précisant les indications suivantes:</i>	Los pedidos han de efectuarse en nuestros concesionarios de zona y deben incluir siempre las siguientes indicaciones:
- <b>Tipo, modello e numero di matricola dell'attrezzatura.</b> Tali dati sono stampigliati nell'apposita targhetta di cui è dotata ogni attrezzatura.	- <b>Type, model and serial number of the machine.</b> <i>These data are punched on the data plate with which every implement is equipped.</i>	- <b>Typ, Modell und Serien-Nummer des Geräts.</b> Diese Daten stehen auf dem Typenschild, mit dem jedes Gerät versehen ist.	- <b>Type, modèle et numéro de série de la machine.</b> <i>Ces données sont gravées sur la plaque d'identification de chaque outil.</i>	- <b>Tipo, modelo y número de matrícula del equipo.</b> Dichos datos están impresos en la relativa placa presente en el equipo.
- <b>Numero di codice della parte richiesta</b> rilevabile dal catalogo ricambi.	- <b>Code number of the required spare part.</b> <i>This will be found in the spare parts catalogue.</i>	- <b>Artikel Nr. der erforderlichen Ersatzteile.</b> Diese stehen im Ersatzteil-Katalog.	- <b>Numéro de code de la pièce détachée</b> indiqué sur le catalogue des pièces détachées.	- <b>Número de código de la parte requerida</b> presente en el catálogo respuestas.
- <b>Descrizione del particolare e quantità richiesta.</b>	- <b>Description of the part and required quantity.</b>	- <b>Beschreibung des Ersatzteils und die erforderliche Stückzahl.</b>	- <b>Description de la pièce et quantité requise.</b>	- <b>Descripción de la pieza y cantidad requerida.</b>
- <b>Numero della tavola.</b>	- <b>Table number.</b>	- <b>Tafelnummer.</b>	- <b>Numéro de plan.</b>	- <b>Numero de ilustración.</b>
- <b>Mezzo di trasporto.</b> Nel caso questa voce non sia specificata, la Ditta Costruttrice, pur dedicando a questo servizio una particolare cura, non risponde di eventuali ritardi di spedizione dovuti a cause di forza maggiore. Le spese di trasporto si intendono sempre a carico del destinatario. La merce viaggia a rischio e pericolo del committente anche se venduta franco destino.	- <b>Means of dispatch.</b> <i>If this item is not indicated, the Manufacturer, while dedicating particular care to this service, shall not be held responsible for delays in delivery caused by cases of force majeure. Transport expenses shall always be at the consignee's charge. The goods travel at the purchaser's risk and peril even when sold ex destination.</i>	- <b>Versandmittel.</b> Wenn dieser Punkt nicht spezifiziert wird, haftet die Herstellerfirma nicht für etwaigen Lieferverzug aufgrund höherer Gewalt, auch wenn er diesen Service besonders aufmerksam abwickelt. Die Frachtkosten gehen dagegen immer zu Lasten des Empfängers. Die Ware reist auf Gefahr und Risiko des Auftraggebers, auch wenn frei Haus Verkauft vereinbart worden ist.	- <b>Moyen d'expédition.</b> <i>Si cette rubrique n'est pas indiquée, le Constructeur, bien que soucieux de ce service, ne répond pas des retards d'expédition pour des causes de force majeure. Les frais de transport sont toujours à la charge du destinataire. La marchandise voyage aux risques et périls de l'acheteur même si vendue franco de port.</i>	- <b>Medio de transporte.</b> En caso que este ítem no esté especificado, el Fabricante, aún prestando la debidas consideraciones para este aspecto, no responde por eventuales retardos de env'ío debidos a causas de fuerza mayor. Los gastos de transporte se consideran siempre a cargo del destinatario. La mercadería viaja bajo riesgo y peligro del comprador, incluso cuando se vende franco destino.
<b>NOTA:</b> Il termine <b>(Dx) Destro</b> o <b>(Sx) Sinistro</b> della macchina o di parti di essa, è inteso guardando la macchina dalla parte posteriore. Le eccezioni saranno indicate.	<b>NOTE:</b> <i>The symbols (Dx) right and (Sx) left, concerning the machine or single parts of it, are referred, as in the figure, to a rear view of them. Exceptions will be indicated.</i>	<b>N.B.:</b> Die Merkzeichen <b>(Dx) rechts</b> und <b>(Sx) links</b> betreffen eine rückwärtige Aussicht der Maschine oder Teile von ihr (siehe Bild). Ausnahmen werden gezeigt.	<b>N.B.:</b> <i>Les références (Dx) droit et (Sx) gauche de la machine ou des parties de la même, est entendue, comme de la figure, en regardant la machine de derriere dans le sens de marche.</i>	<b>N.B.:</b> La referencia <b>(Dx) derecha</b> o <b>(Sx) izquierda</b> de la máquina o de sus componentes, se entiende, como en la figura, mirando la máquina por la parte trasera. Se indicarán las excepciones.

**INDICE**

<b>N° Tavola</b>	<b>Descrizione</b>	<b>Pagina</b>
TAV.011	ASSIEME GENERALE .....	5
TAV.020	TELAIO .....	7
TAV.030	TERZO PUNTO FISSO .....	9
TAV.040	TERZO PUNTO SPOSTABILE MECCANICO .....	11
TAV.050	MOLTIPLICATORE 540 rpm - MASCHIO .....	13
TAV.060	MOLTIPLICATORE 540 rpm - BONDIOLI .....	15
TAV.070	RULLO .....	17
TAV.080	ROTORE .....	19
TAV.090	ROTORE MULTIAGGRESSIVO .....	21
TAV.100	ROTORE SPIRALE CON SUPPORTI ANTI-DANNEGGIAMENTO ...	23
TAV.110	KIT SPOSTAMENTO IDRAULICO .....	25
TAV.120	SLITTE, LAMIERA ANTIUSURA E KIT DENTI DI RACCOLTA .....	27
TAV.130	RUOTE FISSE ANTERIORI E STERZANTI POSTERIORI .....	29
TAV.140	KIT CAT I ED ASTA CROMATA .....	31
TAV.150	CARDANO WALTERSCHEID .....	33
TAV.160	CARDANO BONDIOLI .....	35

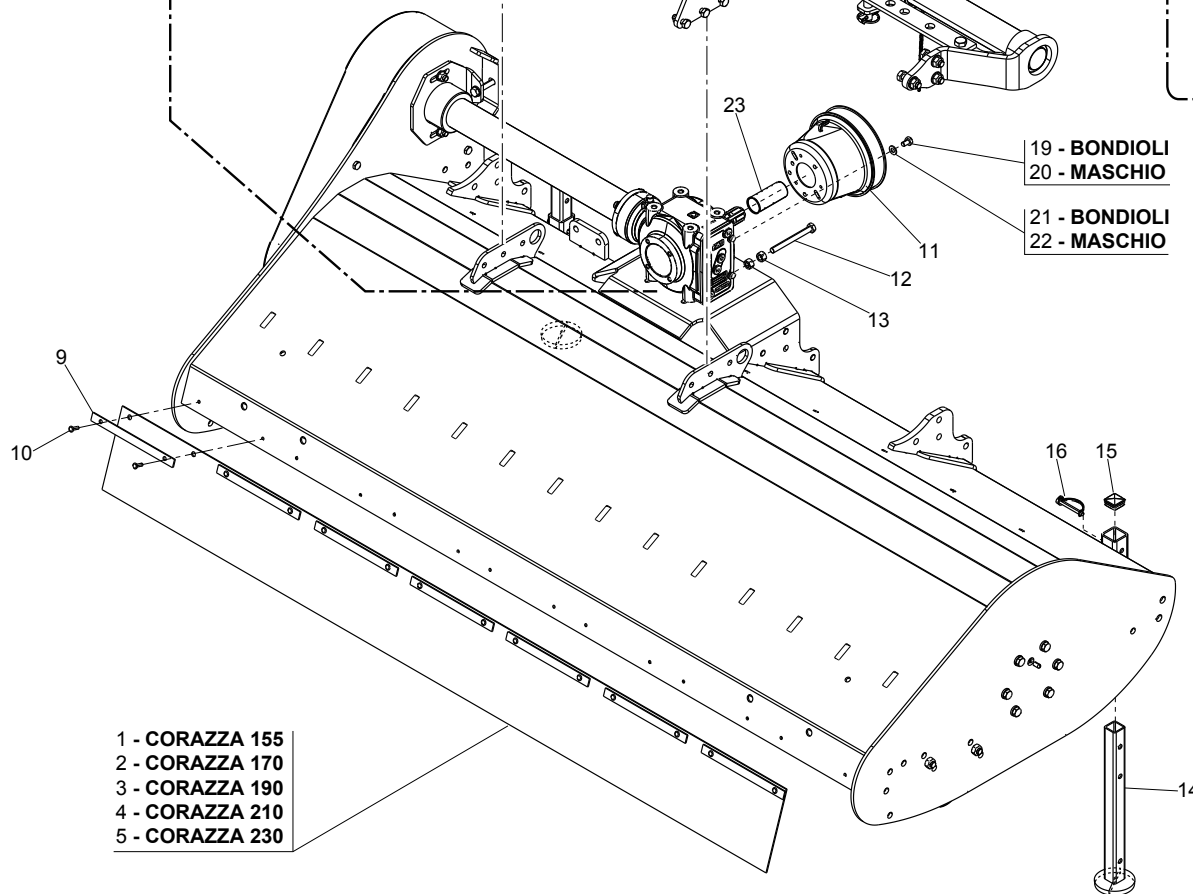
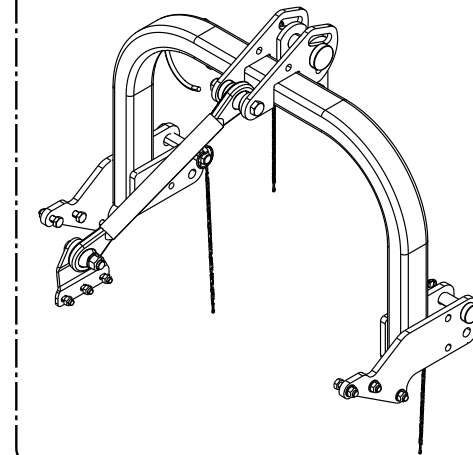
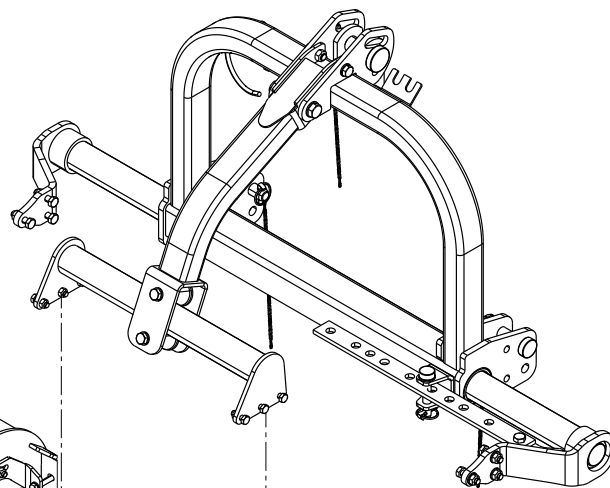
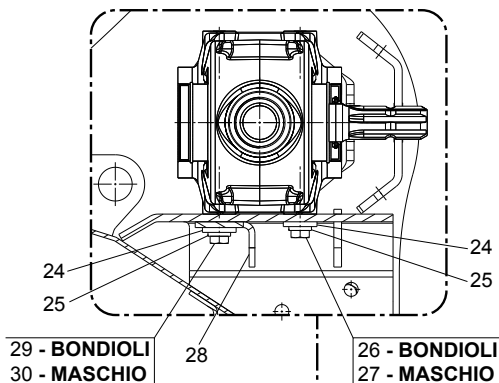
**INDEX**

<b>N° Table</b>	<b>Description</b>	<b>Page</b>
TAV.011	GENERAL ASSEMBLY.....	5
TAV.020	FRAME.....	7
TAV.030	FIXED 3RD POINT HITCH.....	9
TAV.040	MECHANICAL OFFSET 3RD POINT HITCH.....	11
TAV.050	GEARBOX 540 RPM - MASCHIO.....	13
TAV.060	GEARBOX 540 RPM - BONDIOLI .....	15
TAV.070	ROLLER.....	17
TAV.080	ROTOR.....	19
TAV.090	MULTIAGGRESSIV ROTOR.....	21
TAV.100	SPIRAL ROTOR WITH ANTI-DAMAGE FLAIL SUPPORTS.....	23
TAV.110	HYDRAULIC OFFSET KIT.....	25
TAV.120	SKIDS, DOUBLE SKIN AND COLLECTING RAKES.....	27
TAV.130	FRONT FIX AND REAR STEERING WHEELS .....	29
TAV.140	CAT I KIT AND CHROME PLATED ROD.....	31
TAV.150	WALTERSCHEID CARDAN SHAFT .....	33
TAV.160	BONDIOLI CARDAN SHAFT .....	35

# TAV.011

## TERZO PUNTO SPOSTAMENTO MECCANICO MECHANICAL OFFSET 3RD POINT HITCH

## TERZO PUNTO FISSO FIXED 3RD POINT HITCH

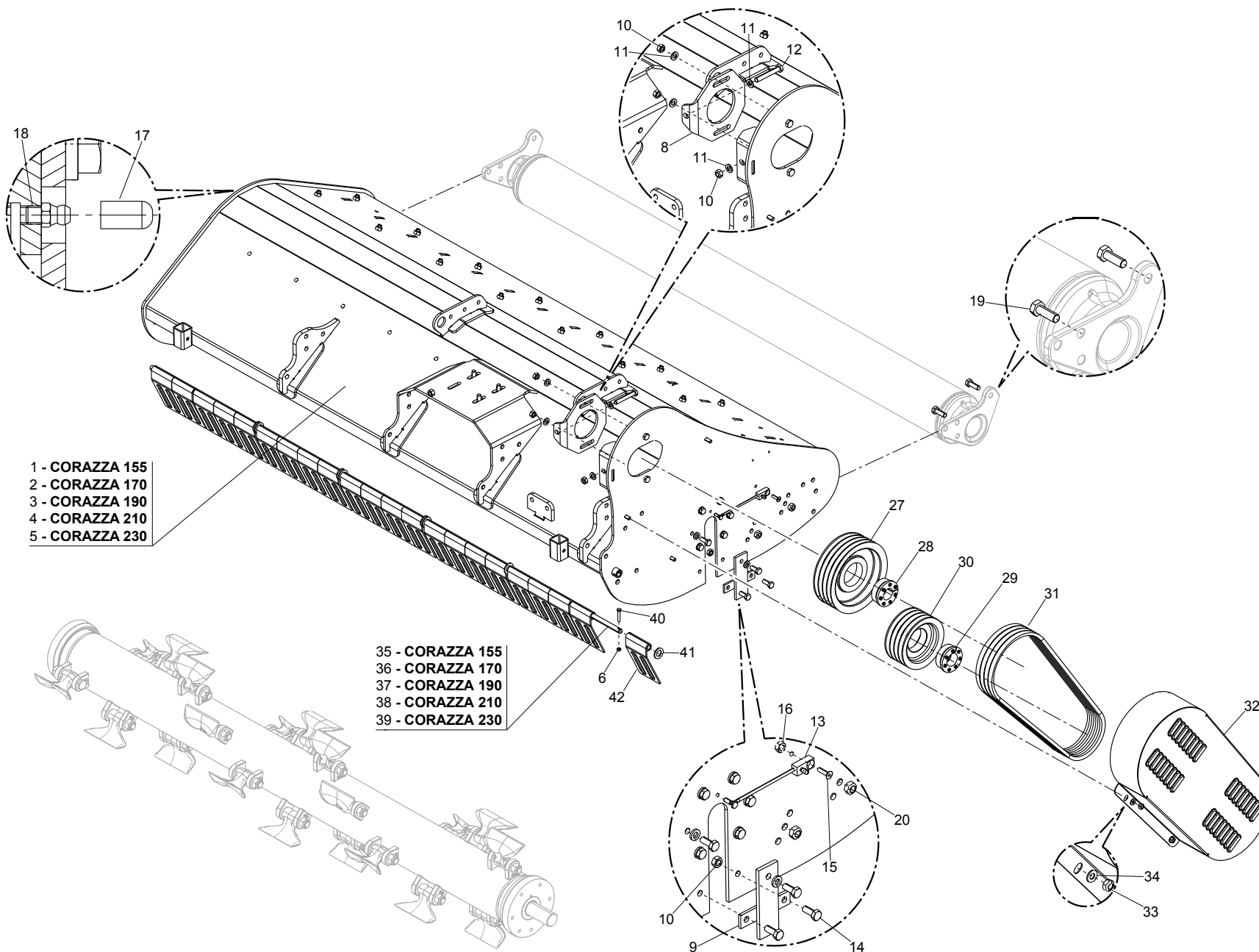


**ASSIEME GENERALE  
GENERAL ASSEMBLY**

**TAV.011**

Pos.	Cod.	Descrizione	Description	Description	Benennung	Description
1	T24155681R	PROTEZ. POSTERIORE PVC L=1530	REAR GUARD PVC L=1530			
2	T24175681R	PROTEZ. POSTERIORE PVC L=1680	REAR GUARD PVC L=1681			
3	T24195681R	PROTEZ. POSTERIORE PVC L=1880	REAR GUARD PVC L=1880			
4	T24215681R	PROTEZ. POSTERIORE PVC L=2080	REAR GUARD PVC L=2080			
5	T24235681R	PROTEZ. POSTERIORE PVC L=2280	REAR GUARD PVC L=2280			
9	M07400953R	PIATTO PER ATTACCO GOMMA	PLATE	PLAT	PLATTE	PLATO
10	F02250160R	RIVETTO STR. 6,4X22 ACCIAIO	RIVET	RIVET	KUPFERNIET	REMACHE
11	F05150403R	CUFFIA PROTEZ.CARDANO X GRUPPO	POWER TAKE-OFF PROTECTION HOUS	PROTECTEUR PRISE DE PUISSANCE	SCHUTZKASTEN KRAFTABTRIEB	ENVOLTURA PROTECCI N T. DE P.
12	F01010301R	VITE M12X1,25X120 U5740 8.8ZN	SCR. M12X1,25X120 U5740 8.8ZN	VIS M 12X1,25X120	SCHRAUBE M 12X1,25X120	TORNILLO M 12X1,25X120
13	F01200073R	DADO M12X1,25 U5587 CL8 ZN	NUT M12X1,25 U5587 6SZN	ECROU M12X1,25 U5587 6S ZN	MUTTER M12X1,25 U5587 6S ZN	TUERCA M12X1,25 U5587 6S ZN
14	M56400922R	COMP. PIEDINO L=424,3	SUPPORT ASSEMBLY L=424,3	SUPPORT L=424,3	STANDER L=424,3	SOPORTE L=424,3
15	F05100025R	TAPPO AD ALETTE 35X35 PLT NERO	PLUG	BOUCHON FERMETURE	VERSCHLUSSPFROPFEN	TAPONCLAUSURA
16	F02200562R	SPINA SICUR.D. 8X70 ZN	SNAP PIN D.8X 70 ZN	FICHE EL. D.8X70 ZN	SCHERSTIFT D.8X 70 ZN	CLAVIJA D.8X 70 ZN
19	F01020468R	VITE M10X1,5X16 U5739 8.8ZN	SCR. M10X1,5X16 U5739 8.8ZN	RONDELLE M10X1,5 X 16	DUEBEL M10X1,5 X 16	TORNILLO M10X1,5X16 U5739 8
20	F01020432R	VITE M8X1,25X16 U5739 8.8ZN	SCR. M8X1,25X16 U5739 8.8ZN	VIS M8 X1,25X16 U5739 8.8 ZN	SCHRAUBE M8X1,25X16U5739 8.8ZN	TORNILLO M8X1,25X16 U5739 8.8
21	F01410062R	ROS.M10 10,5X 18X 2 U6592 ZN	WASHER M10 10,5X 18X 2 U6592	RONDELLE M10 10,5X18X2 ZN	DICHTUNGSRING M10 10,5X18X2 ZN	ARAND.M10 10,5X 18X 2 U6592 ZN
22	F01410051R	ROS.M8 8,4X 17X1,6 U6592 ZN	WASHER M8 8,4X17X1,6 U6592 ZN	RONDELLE M8 8,4X17X1,6 ZN	SCHIEBE M8 8,4X17X1,6 U6592 ZN	ARAND.M8 8,4X 17X1,6 U6592 ZN
23	M38100146R	MANICOTTO PROTEZIONE PDF 1 3 8	P.T.O. PROTECTION	MANCHON DE PROTECTION P.T.O.	ZAPFWELLENSCHUTZ P.T.O.	MANGUITO PROTECCION P.T.O.
24	F01500011R	ROS. 13 X35X5 D6340 C50 ZN	WASHER D. 12	RONDELLE D.12	SCHIEBE D.12	ARANDELA D.12
25	F01480123R	ROS.G 12,5X22,9X 4 FLZNNC-240H	WASHER M12 ZGP EXTRA P.	RONDELLE M12 ZGP EXTRA P.	UNTERLEGSCHIEBE M12 ZGP EXTRA	ARANDELA M12 ZGP EXTRA P.
26	F01020512R	VITE M12X1,75X35 U5739 8.8ZN	SCR. M12X1,75X35 U5739 8.8ZN	VIS M12X1,75X35 5739 8.8 ZN	SCHR. M12X1,75X35 5739 8.8 ZN	TORNILLO M12X1,75X35 U5739 8
27	F01010288R	VITE M12X1,25X35 U5740 8.8ZN	SCR. M12X1,25X35 U5740 8.8ZN	VIS M12X1,25X35 U5740 8.8 ZN	SCHR.M12X1,25X35 U5740 8.8 ZN	TORN.M12X1,25X35 U5740 8.8 ZN
28	M34400718R	PIASTRA TENDICINGHIA	PLATE GEARBOX TENSIONING			
29	F01020528R	VITE M12X1,75X40 U5739 10.9ZN	BOLT M12X1,75X40 U5739 10.9ZN	VIS M12X1,75X40 U5739 10.9 ZN	SCHR.M12X1,75X40 U5739 10.9 ZN	TORN.M12X1,75X40 U5739 10.9 ZN
30	F01010291R	VITE M12X1,25X40 U5740 8.8ZN	SCR. M12X1,25X40 U5740 8.8ZN	VIS M12X1,25X40 U5740 8.8 ZN	SCHR.M12X1,25X40 U5740 8.8 ZN	TORN. M12X1,25X40 U5740 8.8 ZN

# TAV.020

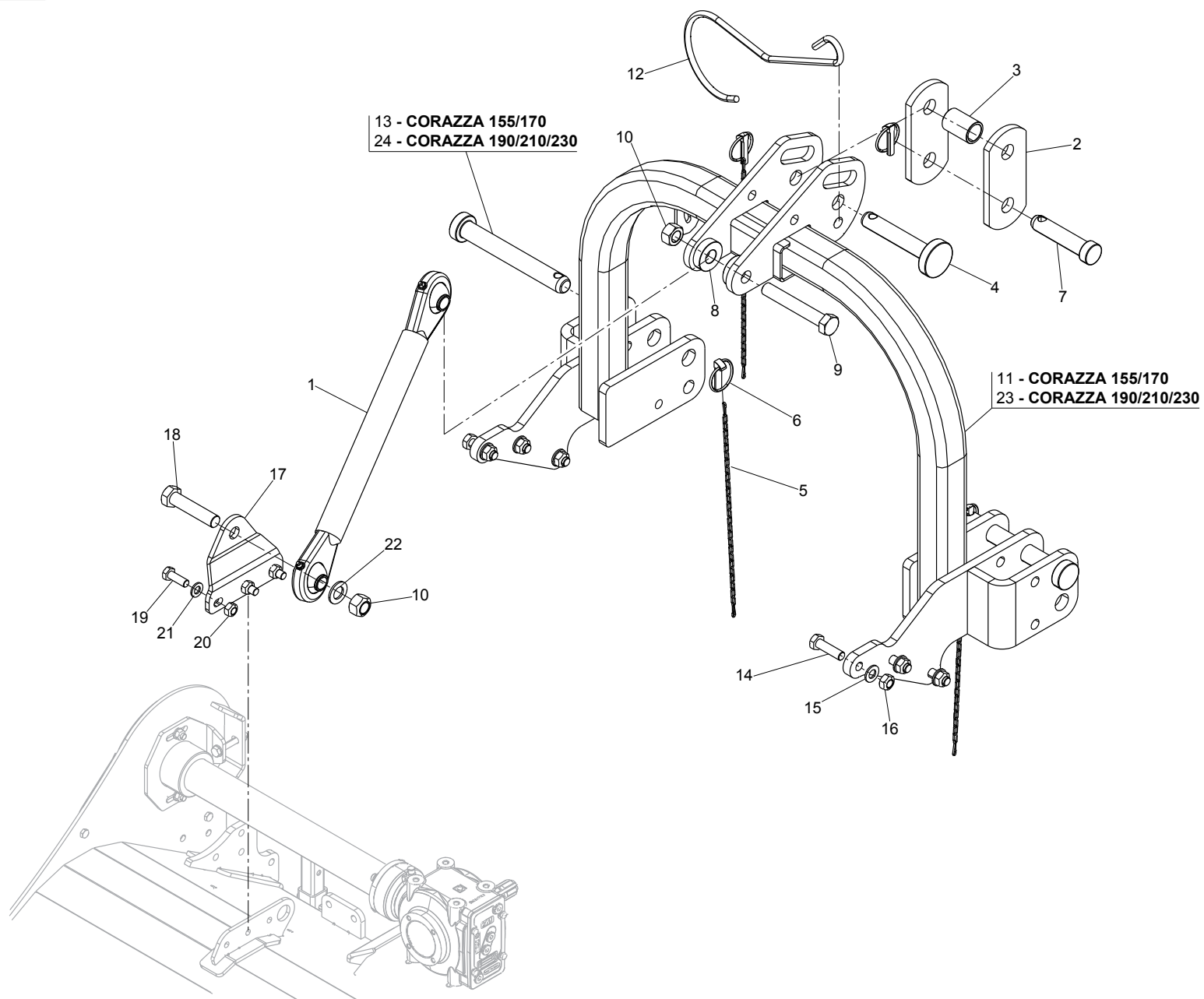


**TELAIO  
FRAME**

**TAV.020**

Pos.	Cod.	Descrizione	Description	Description	Benennung	Description
1	M09715501R	TELAIO CORAZZA MOD155	FRAME ARMOUR 155			
2	M09717501R	TELAIO CORAZZA MOD170	FRAME ARMOUR 170			
3	M09719501R	TELAIO CORAZZA MOD190	FRAME CORAZZA 190			
4	M09721501R	TELAIO CORAZZA MOD210	FRAME CORAZZA 210			
5	M09723501R	COMPOSTO TELAIO CORAZZA MOD230	FRAME CORAZZA 230			
6	F01220011R	DADO M6X1 D980 8ZN	NUT M6X1 D980 8ZN	ECROU M6X1 D980 8 ZN	MUTTER M6X1 D980 8 ZN	TUERCA M6X1 D980 8 ZN
8	T16005526R	SUPPORTO TENDICINGHIA	BELT STRETCHER	SUPPORT TENDEUR DE COURROIE	HALTERUNG	SOPORTE
9	T24005110R	CHIUSURA LATERALE	REAR LATERAL PANEL	CAPOT ARRIERE LATERAL	HINTERE BLECH	PLANCHA LATERALE
10	F01220047R	DADO M12X1,25 D980 8ZN	NUT M12X1,25 D980 8ZN	ECROU M12X1,25 D980 8 ZN	MUTTER M12X1,25 D980 8 ZN	TUERCA M12X1,25 D980 8 ZN
11	F01410076R	ROS.M12 13X 24X2,5 U6592 ZN	WASHER 12 13X 24X2,5 U6592 ZN	RONDEL. M12 13X24X2,5 U6592 ZN	SCHIEBE M12 13X24X2,5 U6592 ZN	ARAND.M12 13X 24X2,5 U6592 ZN
12	F01010298R	VITE M12X1,25X80 U5740 8.8ZN	SCR. M12X1,25X80 U5740 8.8ZN	VIS M12X1,25X80 U5740 8.8 ZN	SCHR.M12X1,25X 80 U5740 8.8 ZN	TORN.M12X1,25X 80 U5740 8.8ZN
13	T24004000R	ASSIEME INGRASSATORE	GREASE NIPPLE	GRAISSEUR	SCHMIERNIPPEL	ENGRASADOR
14	F01010283R	VITE M12X1,25X30 U5740 8.8ZN	SCR. M12X1,25X30 U5740 8.8ZN	VIS M 12X1,25X30	SCHRAUBE M 12X1,25X30	TORNILLO M 12X1,25X30
15	F01030058R	VITE M8X1,25X30 U5933 10.9ZD	SCR. M8X1,25X30 U5933 10.9ZD	VIS M8 X1,25 X30 U5933 10,9 ZD	SCHRAUBE M8X1,25X30 U5933 10,9	TORNILLO M8X1,25X30 U5933 10,9
16	F01220022R	DADO M8X1,25 D980 8ZN	NUT M8X1,25 D980 8ZN	ECROU M8X 1,25 D980 8 ZN	MUTTER M8X 1,25 D980 8 ZN	TUERCA M8X 1,25 D980 8 ZN
17	F05100193R	CAPPUCCIO 5,95X19,05 GIALLO	CAP	BOUCHON	DECKEL	CORCHO
18	F01100011R	ING.M 6X1 7663-A 9SMNPB28 ZN	GREASE NIPPLE M6X1 7663-A ZN	GRAISS. A BILLE M6X1 7663A ZN	SCHMIERBUECHE M6X1 7663-A ZN	ENG.M 6X1 7663-A 9SMNPB28 ZN
19	F01010318R	VITE M14X1,5X40 U5740 8.8ZN	SCR. M14X1,5X40 U5740 8.8ZN	VIS M 14X1,5X40	SCHRAUBE M 14X1,5X40	TORNILLO M 14X1,5X40
20	F01220059R	DADO M14X1,5 D980 8ZN	NUT M14X1,5 D980 8ZN	ECROU M14X 1,5 D980 8 ZN	MUTTER M14X 1,5 D980 8 ZN	TUERCA M14X 1,5 D980 8 ZN
27	T40005134R	PULEGGIA SM D=236	PULLEY	POULIE	SCHIEBE	ROLDANA
28	F06060038R	CALETTATORE AUTOCENTR.40X80	SELF CENTR.CLAMP.EL.40X80			
29	F06060039R	CALETTATORE AUTOCENTR.45X80	SELF CENTR.CLAMP.EL.45X80	EMBOITEMENT AUTOBLOCANT 45X80		
30	T22003005R	PULEGGIA ROTORE SPB DP=170 4V	DRIVING PULLEY	POULIE TIRANTE	ZIEHEN RIEMEN	ROLDANA DE TIRAR
31	F06010040R	CINGHIA XPB LI=1550	BELT XPB 1550	COURROIE XPB 1550	TREIBRIEMEN XPB 1550	CORREA XPB 1550
32	T24003100R	CARTER TRASMISSIONE	TRANSMISSION CARTER	CARTER TRANSMISSION	GEHAEUSE	CARTER TRANSMISSION CARTER
33	F01220034R	DADO M10X1,25 D980 8ZN	NUT M10X1,25 D980 8ZN	ECRO.M10X1,25 D980 8 ZB	MUTT.M10X1,25 D980 8 ZB	TUER.M10X1,25 D980 8 ZB
34	F01410062R	ROS.M10 10,5X 18X 2 U6592 ZN	WASHER M10 10,5X 18X 2 U6592	RONDELLE M10 10,5X18X2 ZN	DICHTUNGSRING M10 10,5X18X2 ZN	ARAND.M10 10,5X 18X 2 U6592 ZN
35	T24155085R	ASTA BANDELLE CR 155	PROTECTION FLAP BAR CR155	TIGE PALETTE PROTECTION CR155	DAS TURBAND STANGE CR155	VARILLA BANDA CR155
36	T24175085R	ASTA BANDELLE CR 170	PROTECTION FLAP BAR CR170	TIGE PALETTE PROTECTION CR170	DAS TURBAND STANGE CR170	VARILLA BANDA CR170
37	T24195085R	ASTA BANDELLE CR 190	PROTECTION FLAP BAR CR190	TIGE PALETTE PROTECTION CR190	DAS TURBAND STANGE CR190	VARILLA BANDA CR190
38	T24215085R	ASTA BANDELLE CR 210	PROTECTION FLAP BAR CR210	TIGE PALETTE PROTECTION CR210	DAS TURBAND STANGE CR210	VARILLA BANDA CR210
39	T24235085R	ASTA BANDELLE CR 230	PROTECTION FLAP BAR CR230	TIGE PALETTE PROTECTION CR230	DAS TURBAND STANGE CR230	VARILLA BANDA CR230
40	F01040066R	VITE M6X1X35 U5931 8.8ZN	SCREW M6X1X35 U5931 8.8ZN	VIS M6X1X35 U5931 8.8ZN	SCHRAUBE M6X1X35 U5931 8.8ZN	TORNILLO M6X1X35 U5931 8.8ZN
41	F01410100R	ROS.M16 17X 30X 3 U6592 ZN	WASHER M16 17X30X3 U6592 ZN	RONDELLE M16 17X30X3 ZN	SCHRAUBE M16 17X 30X3 U6592 ZN	ARAND.M16 17X 30X 3 U6592 ZN
42	M24400518R	BANDELLA PROTEZ. 93X170 ZG	PROTECTION BAR	BANDE PROTECTION	SCHUTZWORNE	ALETA PROTECCION

# TAV.030



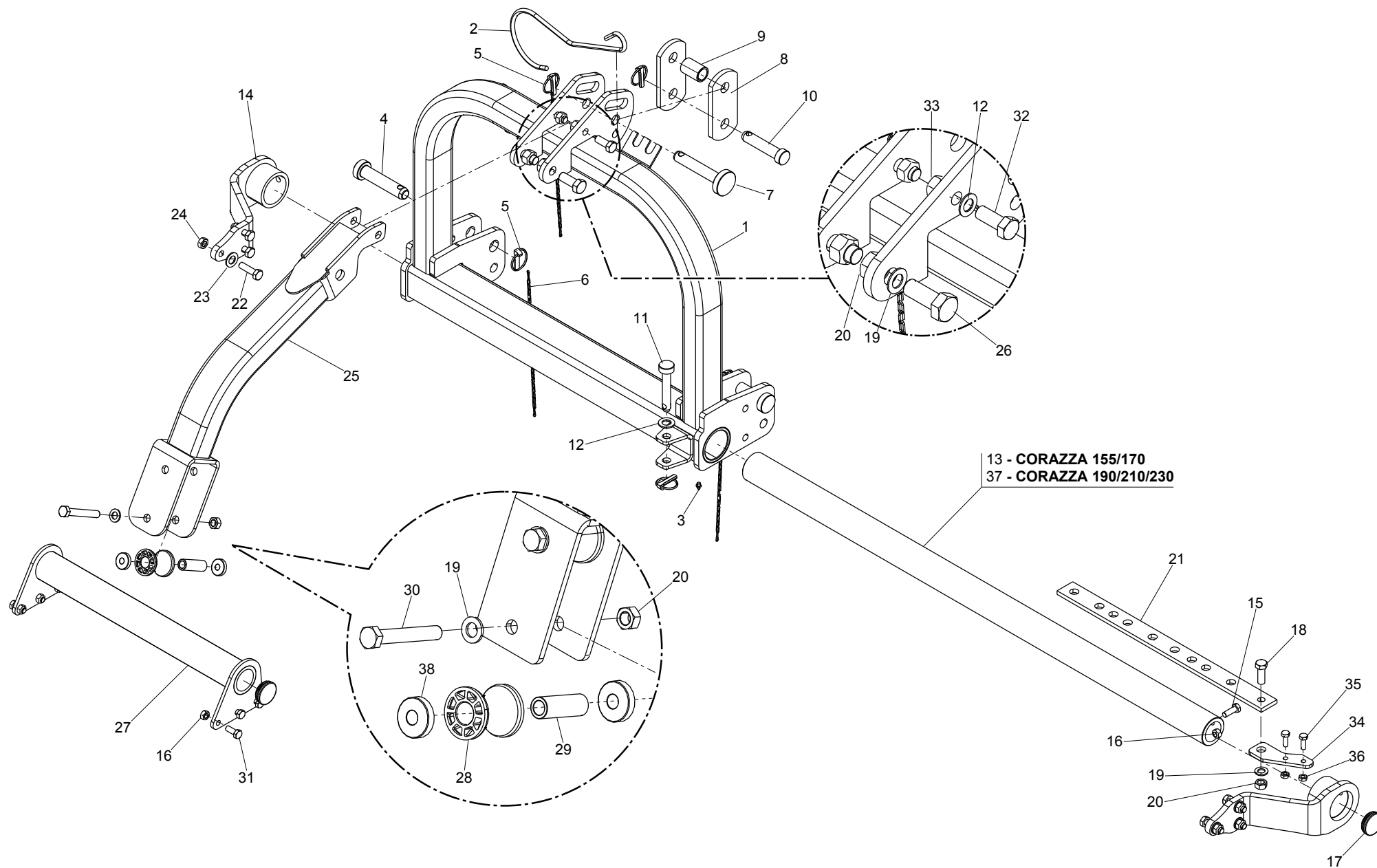


**TERZO PUNTO FISSO  
FIXED 3RD POINT HITCH**

**TAV.030**

Pos.	Cod.	Descrizione	Description	Description	Benennung	Description
1	M24400544R	TIRANTE 3 PUNTO	3RD POINT TIE ROD			
2	T30005107R	PIATTO ATTACCO 3 PUNTO CR	REAR SUPPORT 3RD POINT CR	BARRE CR	HINTERSTANGE 3. PUNKT CR	ASTA POSTERIOR 3 PUNTO CR
3	M68100932R	BUSSOLA	BUSHING	BOUSSOLE	BUECHSE	BRUJULA
4	F20100133R	PERNO D25 L122 C43 TEST.D60 ZN	PIN D25 L122 C43 ZN	BOULON D25 L122 C43 ZN	BOLZEN D25 L122 C43 ZN	PERNO D25 L122 C43 ZN
5	M58100930R	CATENELLA L=476	ASSEMBLY CHAIN DMP L=476	CHAINE L=476	KETTE L=476	CADENA L=476
6	F02200529R	SPINA SCATTO D.11 H58 ZN	SNAP PIN D.11 H58 ZN	FICHE A DETENTE D.11 H58 ZN	EINRASTSTIFT D.11 H58 ZN	CLAVIJA DE MUELLE D.11 H58 ZN
7	M07400515R	PERNO ATT.TIRANTE 3 2 CAT. ZG	PIN	GOUJON	BOLZEN	PERNO
8	M19400536R	DISTANZ.D=50 D=22,5 L=14 ZG	SPACER	ENTRETOISE	DISTANZSTUECK	DISTANCIADOR
9	F01010177R	VITE M20X1,5X130 U5738 8.8ZN	SCR. M20X1,5X130 U5738 8.8ZN	VIS M 20X1,5X130	SCHRAUBE M 20X1,5X130	TORNILLO M 20X1,5X130
10	F01220093R	DADO M20X1,5 D980 8ZN	NUT M20X1,5 D980 8ZN	ECROU AUTOBL.M20X1,5 ZN	SELB.MUTTER M20X1,5 D980 8ZN	TUERCA AUTOBL.M20X1,5 D980 8ZN
11	M09700548R	CASTELLO 3 PTO FISSO 155-170	CASTLE THIRD FIXED PO.155-170			
12	F20120400R	GANCIO SOSTEGNO CARDANO	SHAFT HOOK SUPPORT	SUPPORT CARDAN	GELENKWELLE - HACKEN	SOPORTE CARDAN
13	F20100077R	PERNO D28 L194 C43 TEST.D45 ZN	PIN D=28 L=200	GOUJON D=28 L=200	STIFT D=28 L=200	PERNO D=28 L=200
14	F01010082R	VITE M14X1,5X50 U5738 8.8ZN	SCR. M14X1,5X50 U5738 8.8ZN	VIS M14X1,5X50 ZN	SCHRA.M14X1,5X50 U5738 8.8 ZN	TORN. M14X1,5X50 U5738 8.8 ZN
15	F01410088R	ROS.M14 15X 28X2,5 U6592 ZN	WAS.M14 15X 28X2,5 U6592 ZB	RON.M14 15X 28X2,5 U6592 ZB	SCH.M14 15X 28X2,5 U6592 ZB	ARA.M14 15X 28X2,5 U6592 ZB
16	F01220059R	DADO M14X1,5 D980 8ZN	NUT M14X1,5 D980 8ZN	ECROU M14X 1,5 D980 8 ZN	MUTTER M14X 1,5 D980 8 ZN	TUERCA M14X 1,5 D980 8 ZN
17	M09700539R	STAFFA ATTACCO TIRANTE	ROD BRACKET			
18	F01010173R	VITE M20X1,5X90 U5738 8.8ZN	SCR. M20X1,5X90 U5738 8.8ZN	VIS M 16X1,5X90	SCHRAUBE M 16X1,5X90	TORNILLO M 16X1,5X90
19	F01010288R	VITE M12X1,25X35 U5740 8.8ZN	SCR. M12X1,25X35 U5740 8.8ZN	VIS M12X1,25X35 U5740 8.8 ZN	SCHR.M12X1,25X35 U5740 8.8 ZN	TORN.M12X1,25X35 U5740 8.8 ZN
20	F01220047R	DADO M12X1,25 D980 8ZN	NUT M12X1,25 D980 8ZN	ECROU M12X1,25 D980 8 ZN	MUTTER M12X1,25 D980 8 ZN	TUERCA M12X1,25 D980 8 ZN
21	F01410076R	ROS.M12 13X 24X2,5 U6592 ZN	WASHER 12 13X 24X2,5 U6592 ZN	RONDEL. M12 13X24X2,5 U6592 ZN	SCHEIBE M12 13X24X2,5 U6592 ZN	ARAND.M12 13X 24X2,5 U6592 ZN
22	F01410124R	ROS.M20 21X 37X 3 U6592 ZN	WASHER M20 21X 37X 3 U6592 ZN	RONDEL.M20 21X37X3 ZN	MUTTER M20 21X 37X 3 U6592 ZN	ARAND.M20 21X 37X 3 U6592 ZN
23	M09700530R	CASTELLO TERZO PUNTO	CASTLE THIRD POINT			
24	F20100074R	PERNO D28 L109 C43 SPINA 3 P.	PIN FOR BAR LINKAGE	GOUJON ATTELAGE BARRE	VERB.BOLZEN SCHUTZHOLM	PERNO ATAQUE BARRA

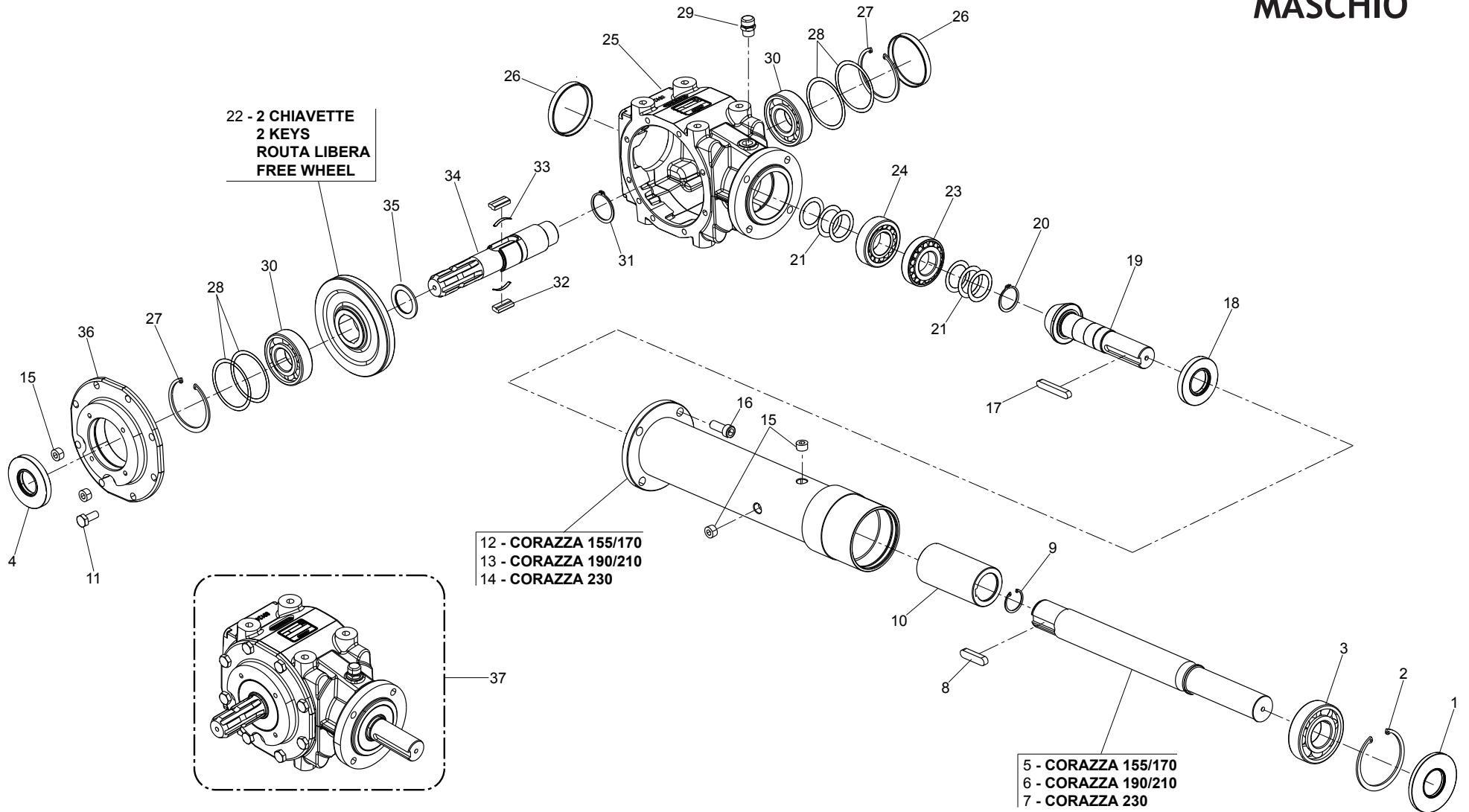
# TAV.040



**TERZO PUNTO SPOSTABILE MECCANICO  
MECHANICAL OFFSET 3RD POINT HITCH**

**TAV.040**

Pos.	Cod.	Descrizione	Description	Description	Benennung	Description
1	M24400552R	CASTELLO 3 P CHIARA CR	COMPL. LEFT 3RD POINT CHIARA			
2	F20120400R	GANCIO SOSTEGNO CARDANO	SHAFT HOOK SUPPORT	SUPPORT CARDAN	GELENKWELLE - HACKEN	SOPORTE CARDAN
3	F01100048R	ING.M 8X1,25 7663A 9SMNPB28 Z	GREASE NIPPLE M8X1,25 U7663A	GRAISSEUR A BILLES M8X1,25	SCHMIERBUECHSE M8X1,25 7663A	ENG.M 8X1,25 7663A 9SMNPB28 Z
4	F20100075R	PERNO PER BIELLA D.28 ZN	PIN D.28 ZN	BOULON D.28 ZN	BOLZEN D.28 ZN	PERNO D.28 ZN
5	F02200529R	SPINA SCATTO D.11 H58 ZN	SNAP PIN D.11 H58 ZN	FICHE A DETENTE D.11 H58 ZN	EINRASTSTIFT D.11 H58 ZN	CLAVIJA DE MUELLE D.11 H58 ZN
6	M58100930R	CATENELLA L=476	ASSEMBLY CHAIN DMP L=476	CHAINE L=476	KETTE L=476	CADENA L=476
7	F20100133R	PERNO D25 L122 C43 TEST.D60 ZN	PIN D25 L122 C43 ZN	BOULON D25 L122 C43 ZN	BOLZEN D25 L122 C43 ZN	PERNO D25 L122 C43 ZN
8	T30005107R	PIATTO ATTACCO 3 PUNTO CR	REAR SUPPORT 3RD POINT CR	BARRE CR	HINTERSTANGE 3. PUNKT CR	ASTA POSTERIOR 3 PUNTO CR
9	M68100932R	BUSSOLA	BUSHING	BOUSSOLE	BUECHSE	BRUJULA
10	M07400515R	PERNO ATT.TIRANTE 3 2 CAT. ZG	PIN	GOUJON	BOLZEN	PERNO
11	F20100035R	PERNO D19 L90 C43 TEST.D35 ZN	BOLT D19 L86 C43 ZN	BOULON D19 L86 C43	BOLZEN D19 L86 C43	PERNO D19 L86 C43
12	F01410124R	ROS.M20 21X 37X 3 U6592 ZN	WASHER M20 21X 37X 3 U6592 ZN	RONDEL.M20 21X37X3 ZN	MUTTER M20 21X 37X 3 U6592 ZN	ARAND.M20 21X 37X 3 U6592 ZN
13	M24415533R	ASTA SCOR.CHIARA 160 L=1467 ZN	GUIDE ROD CHIARA 160 L=1467 ZN			
14	M09700575R	CENTINA SPOSTAMENTO AVVITATA	OFFSET BOLTED PLATE			
15	F01010288R	VITE M12X1,25X35 U5740 8.8ZN	SCR. M12X1,25X35 U5740 8.8ZN	VIS M12X1,25X35 U5740 8.8 ZN	SCHR.M12X1,25X35 U5740 8.8 ZN	TORN.M12X1,25X35 U5740 8.8 ZN
16	F01220047R	DADO M12X1,25 D980 8ZN	NUT M12X1,25 D980 8ZN	ECROU M12X1,25 D980 8 ZN	MUTTER M12X1,25 D980 8 ZN	TUERCA M12X1,25 D980 8 ZN
17	F05100203R	TAPPO PLT X TUBO D.60,3X4,5	PLT PLUG TUBE D.60,3X4,5			
18	F20110044R	VITE M16X1,5X50 SPEC 12.9ZF	BOLT M16X1,5X50 SPEC 12.9ZF	VIS M16X1,5X50 SPEC 12.9ZF	SCHRAU. M16X1,5X50 SPEC 12.9ZF	TORN. M16X1,5X50 SPEC 12.9ZF
19	F01410100R	ROS.M16 17X 30X 3 U6592 ZN	WASHER M16 17X30X3 U6592 ZN	RONDELLE M16 17X30X3 ZN	SCHRAUBE M16 17X 30X3 U6592 ZN	ARAND.M16 17X 30X 3 U6592 ZN
20	F01220070R	DADO M16X1,5 D980 10ZN	NUT M16X1,5 D980 8ZN	ECRO.M16X1,5 D980 8ZN	MUTTER M16X1,5 D980 8ZN	TUER.M16X1,5 D980 8ZN
21	M34400516R	ASTA SPOST.MECCANICO	MECH. OFFSET BAR	BARRE DE DEPLACEMENT MECAN.	MECH.VERSCHIEBUNG STANGE	
22	F01010082R	VITE M14X1,5X50 U5738 8.8ZN	SCR. M14X1,5X50 U5738 8.8ZN	VIS M14X1,5X50 ZN	SCHRA.M14X1,5X50 U5738 8.8 ZN	TORN. M14X1,5X50 U5738 8.8 ZN
23	F01410088R	ROS.M14 15X 28X2,5 U6592 ZN	WAS.M14 15X 28X2,5 U6592 ZB	RON.M14 15X 28X2,5 U6592 ZB	SCH.M14 15X 28X2,5 U6592 ZB	ARA.M14 15X 28X2,5 U6592 ZB
24	F01220059R	DADO M14X1,5 D980 8ZN	NUT M14X1,5 D980 8ZN	ECROU M14X 1,5 D980 8 ZN	MUTTER M14X 1,5 D980 8 ZN	TUERCA M14X 1,5 D980 8 ZN
25	M09700576R	TIRANTE CASTELLO 3 PUNTO	TIE ROD			
26	F01010339R	VITE M16X1,5X40 U5740 8.8ZN	SCR. M16X1,5X40 U5740 8.8ZN	VIS M 16X1,5X40	SCHRAUBE M 16X1,5X40	TORNILLO M 16X1,5X40
27	M09700522R	SCORRIMENTO POSTERIORE	REAR SLIDING			
28	M25400542R	RULLINO DI SCORRIMENTO	SLIDING ROLLER	ROLLER DE GLISSE	ROLLER	RODILLO DESLIZAMIENTO
29	M03400939R	DISTANZ. D=25 D=16,5 L=72	SPACER D=25 D=16,5 L=72	ENTRETOISE D=25 D=16,5 L=72	DISTANZSTUECK D=25 D=16,5 L=72	DISTANCIADOR D=25 D=16,5 L=72
30	F01010128R	VITE M16X1,5X130 U5738 8.8ZN	SCR. M16X1,5X130 U5738 8.8ZN	VIS M 16X1,5X130 U5738 8.8 ZN	SCHRAU.M16X1,5X130 U5738 8.8ZN	TORN. M16X1,5X130 U5738 8.8ZN
31	F01010283R	VITE M12X1,25X30 U5740 8.8ZN	SCR. M12X1,25X30 U5740 8.8ZN	VIS M 12X1,25X30	SCHRAUBE M 12X1,25X30	TORNILLO M 12X1,25X30
32	F01010381R	VITE M20X1,5X50 U5740 8.8ZN	SCR. M20X1,5X50 U5740 8.8ZN	VIS M20X1,5X50	SCHRAUBE M20X1,5X50	TORNILLO M20X1,5X50
33	F01220093R	DADO M20X1,5 D980 8ZN	NUT M20X1,5 D980 8ZN	ECROU AUTOBL.M20X1,5 ZN	SELB.MUTTER M20X1,5 D980 8ZN	TUERCA AUTOBL.M20X1,5 D980 8ZN
34	M09700546R	PIASTRINA ATT.ASTA SPOSTAMENTO	ATTACK PLATE ROD			
35	F01010250R	VITE M10X1,25X30 U5740 8.8ZN	SCR. M10X1,25X30 U5740 8.8ZN	VIS M10X1,25X30 U5740 8.8 ZB	SCHR.M10X1,25X30 U5740 8.8 ZB	TORN.M10X1,25X30 U5740 8.8 ZB
36	F01220034R	DADO M10X1,25 D980 8ZN	NUT M10X1,25 D980 8ZN	ECRO.M10X1,25 D980 8 ZB	MUTT.M10X1,25 D980 8 ZB	TUER.M10X1,25 D980 8 ZB
37	M24423533R	ASTA SCOR.18-19-21-23 L1685 ZN	SLIDING ROD 18-19-21-23 ZN			
38	M09700577R	DISTANZ. D=45 D=17 L=8 ZN	SPACER D=45 D=17 L=8 ZN			

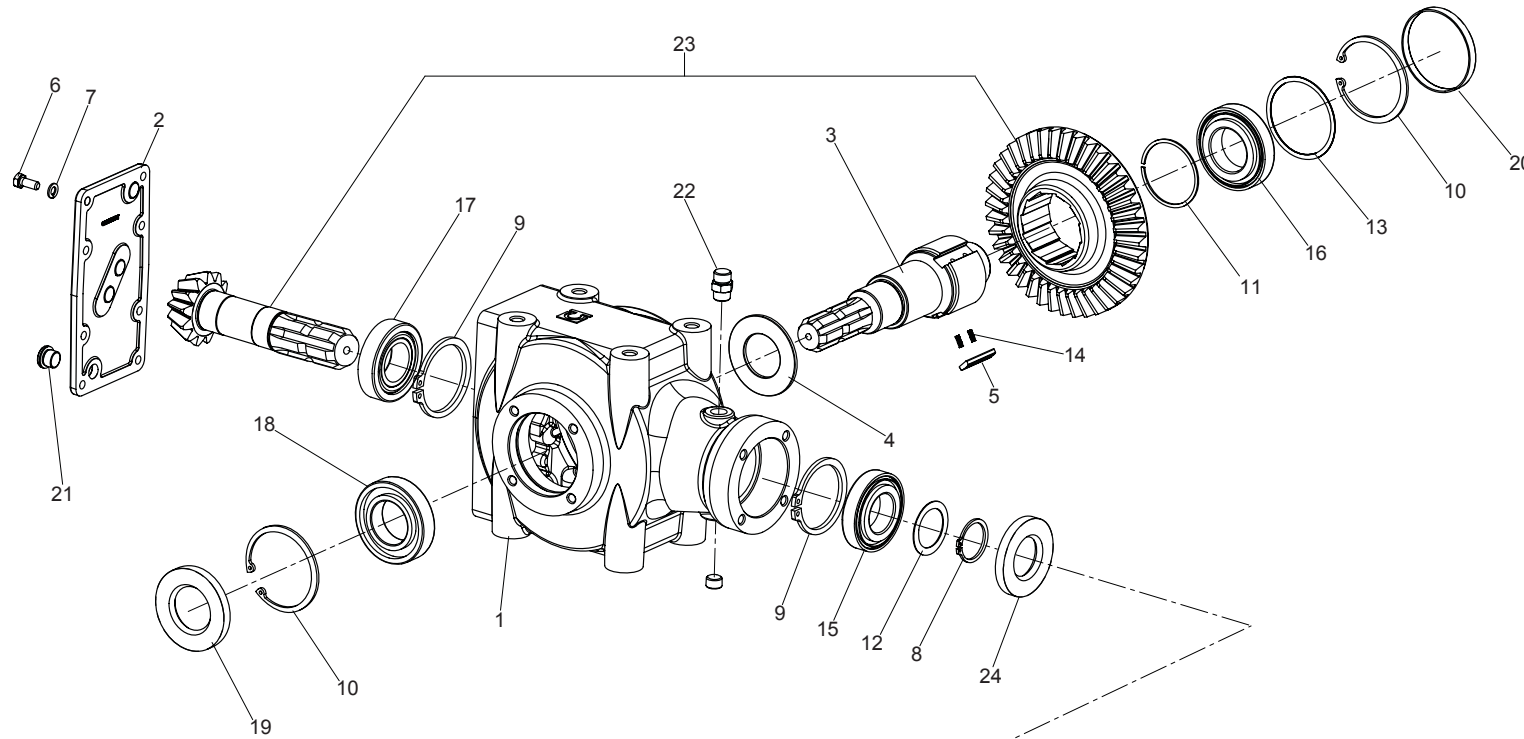


**MOLTIPLICATORE 540 rpm - MASCHIO  
GEARBOX 540 rpm - MASCHIO**

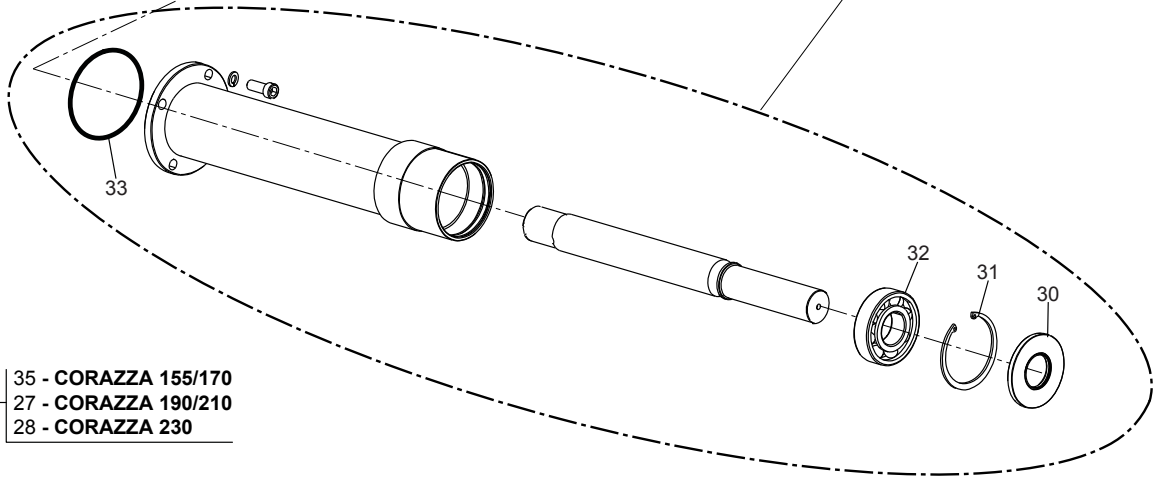
**TAV.050**

Pos.	Cod.	Descrizione	Description	Description	Benennung	Description
1	F03010280R	ANEL. T.AS 40X 90X 7 D3760NBR	RING T.AS 40X 90X 7 D3760 NBR	BAGUE T.AS 40X 90X 7 D3760 NBR	SCHUTZRING 40X90X7 D3760 NBR	ANILLO T.A 40X 90X 7 D3760 NBR
2	F02050447R	ANELLO E. DI 90X 3 U7437 C70	SEEGER RING DI 90X3 U7437 C70	BAGUE SEEGER DI 90X3 U7437 C70	SEEGERRING DI 90X 3 U7437 C70	ANILLO SEEGER DI 90X3 U7437
3	F04010218R	CUSC.D40 D90 B23 6308	BEARING D40 D90 B23 6308	ROULEMENT 6308	LAGER 6308	COJINETE 6308
4	F03010265R	ANELLO T.AS 35X 80X10 D3760NBR	RING T.AS 35X80X10 D3760 NBR	BAGUE T.AS 35X 80X10 D3760 NBR	SCHUTZRING 35X80X10 D3760 NBR	INEL T.AS 35X80X10 D3760 NBR
5	T24151218R	ALBERO RINVIO D=45 L=272	SHAFT D=45 L=272	ARBRE D=45 L=272	ZENTRALWELLE D=45 L=272	ARBOL D=45 L=272
6	T24191218R	ALBERO RINVIO D=45 L=437	SHAFT D=45 L=437	ARBRE D=45 L=437	ZENTRALWELLE D=45 L=437	ARBOL D=45 L=437
7	T24231218R	ALBERO RINVIO D=45 L=607	SHAFT D=45 L=607	ARBRE D=45 L=607	ZENTRALWELLE D=45 L=607	ARBOL D=45 L=607
8	F02150132R	LINGUETTA 12X 8X 50 U6604A	PARALLEL KEY 12X8X50 U6604A	CLAVETTE 12X8X50	KEIL 12X8X50	LLAVE 12X8X50
9	F02050315R	ANELLO E. DI 34X 1,5 U7437 C70	SEEGER RING 34X1,5 U7437 C70	SEEGER E. 34X 1,5 U7437 C70	SEEGERING E. 34X 1,5 U7437 C70	ANILLO E. 34 X1,5 U7437 C70
10	T40000029R	0.312.7000.00 BOCCOLA COLLEGA	LINKAGE BUSHING			
11	F01010244R	VITE M10X1,25X25 U5740 8.8ZN	SCR. M10X1,25X25 U5740 8.8ZN	VIS M 10X1,25X25	SCHRAUBE M 10X1,25X25	TORNILLO M 10X1,25X25
12	T24151209R	DISTANZIALE TRASMISSIONE L=421	TRANSMISSION SPACER L=421	ENTRETOISE TRANSMISSION L=421	ANTRIEBSDISTANZSTUECK L=421	DISTANCIADOR TRASMISION L=421
13	T24191209R	DISTANZIALE TRASMISSIONE L=589	TRANSMISSION SPACER L=589	ENTRETOISE TRANSMISSION L=589	ANTRIEBSDISTANZSTUECK L=589	DISTANCIADOR TRASMISION L=589
14	T24231209R	DISTANZIALE TRASMISSIONE L=759	TRANSMISSION SPACER L=759	ENTRETOISE TRANSMISSION L=759	ANTRIEBSDISTANZSTUECK L=759	DISTANCIADOR TRASMISION L=759
15	M29100112R	TAPPO SCARICO OLIO	OIL OUTLET PLUG	BOUCHON DE VIDANGE HUILE	OELABLASSPFROPFEN	TAPON DESCARGADO ACEITE
16	F01040121R	VITE M10X1,5X35 U5931 8.8ZN	SCREW M10X1,5X35 U5931 8.8 ZN	VIS M10X1,5X35 U5931 8.8 ZN	SCHRAUB.M10X1,5X35 U5931 8.8ZN	TORN. M10X1,5X35 U5931 8.8ZN
17	F02150106R	LINGUETTA 10X 8X 65 U6604A	KEY 10X 8X 65 U6604A	CLAVETTE 10X 8X 65 U6604A	FEDER 10X 8X 65 U6604A	LLAVE 10X 8X 65 U6604A
18	F03010088R	ANELLO T.AS.35X 72X10 D3760NB	OIL SEAL 35X72X10	PARA-HUILLE 35X72X10	OELABDICHTUNG 35X72X10	PARA-ACEITE 35X72X10
19	M07400003R	PIGNONE CONICO	BEVEL PINION	PIGNON CONIQUE	KEGELRITZEL	PINON CONICO
20	M07400004R	SEEGER 35X33X2.5	SEEGER RING 35X33X2.5	BAGUE SEEGER D 35X33X2,5	SEEGERRING D 35X33X2.5	ANILLO D 35X33X2,5
21	M07400002R	KIT SPESSORI 0,3 4 5	REINFORCEMENTS	RENFORTS	VERSTAERKERUNGEN	RENFUERZOS
22	M07400007R	0.311.6220.00 CORONA Z36 M4.35	RING BEVEL GEAR	COURONNE CONIQUE	KEGELRADKRANZ	CORONA CONICA
23	F04050014R	CUSC.D35 D72 T18,25 30207	BEARING D35 D72 T18,25 30207	ROULEMENT 30207	LAGER 30207	COJINETE 30207
24	F04050070R	CUSC.D35 D72 T24,25 32207	BEARING D35 D72 T24,25 32207	ROULEMENT 32207	LAGER 32207	COJINETE 32207
25	M03400020R	CORPO RIDUTTORE INT.	GEARBOX			
26	F03011026R	TAPPO CHIUSURA D=80 X 10 GA	COVER D. 80X10	BOUCHON 80X10	DECKEL 80X10	CORCHO 80X10
27	F02050425R	ANELLO E. DI 80X 2,5 U7437 C70	SEEGER RING D.80	BAGUE SEEGER D.80	SEEGERRING D.80	ANILLO E. DI 80X 2,5 U7437 C70
28	M07400006R	3 4 5.00 KIT SPESSORI	REINFORCEMENTS	RENFORTS	VERSTAERKERUNGEN	RENFUERZOS
29	F03150718R	TAPPO 3 8 GAS CON SFIATO	GAS BREATHER PLUG 3 8	BOUCHON D HUILE SOUPIRAIL	OELENTLUEFFTERSTOPFEN	TAPON ACEITE
30	F04010216R	CUSC.D35 D80 B21 6307	BEARING D35 D80 B21 6307	ROULEMENT 6307	LAGER 6307	COJINETE 6207
31	M03400007R	ANELLO EL.SIC. X ALB 42 UNI743	SEEG.42X39,5X1,75.			
32	M07400005R	LINGUETTA	PARALLEL KEY	CLAVETTE	FEDER	LLAVE
33	M03400009R	MOLLA	SPRING	RESSORT	FEDER	MUELLE
34	M07400001R	0.311.3201.00 1 3 8 Z6 ALBERO	SHAFT	ARBRE	ZENTRALWELLE	ARBOL
35	M03400008R	SPESS. 48X35,3X1	0.259.7510.00 SHIMS 48X35,3X1			
36	T24001208R	FLANGIA CORPO TRASMISSIONE	GEARBOX COVER	COUVERCLE BOITE A VITESSES	GETRIEBEDECKEL	TAPA CAJA CAMBIO
37	M07400201R	MOLTIPLICATORE COMER GIRAFFA	GEARBOX	BOITE DE VITESSE	WECHSELGETRIEBEGEHAEUSE	CAJA CAMBIO

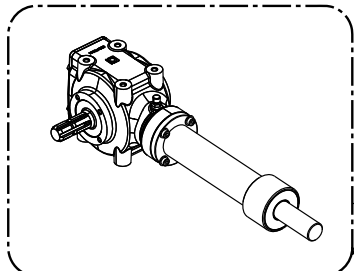
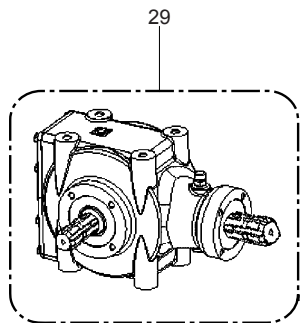
**BONDIOLI**



- 34 - CORAZZA 155/170
- 25 - CORAZZA 190/210
- 26 - CORAZZA 230



- 35 - CORAZZA 155/170
- 27 - CORAZZA 190/210
- 28 - CORAZZA 230

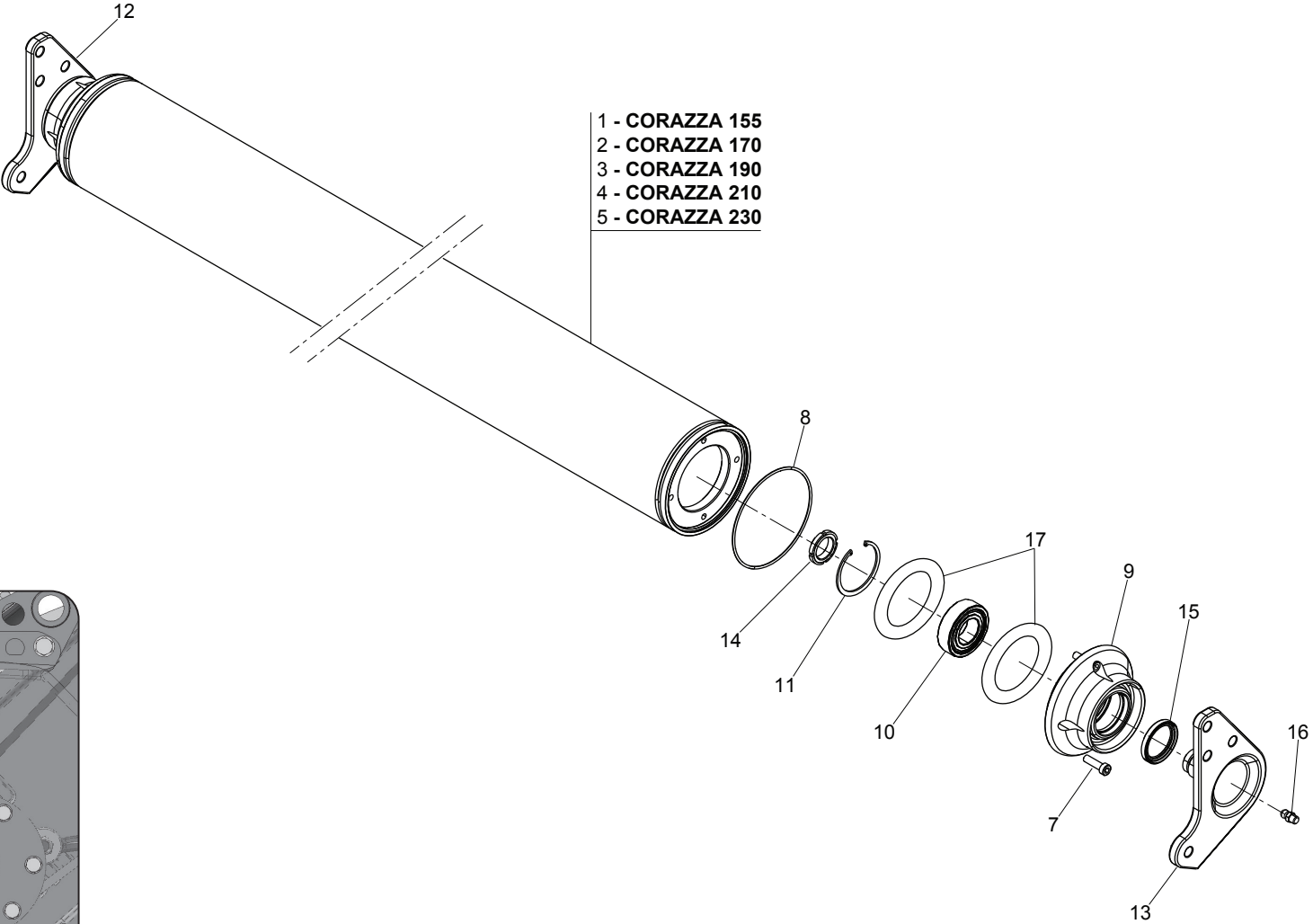


**MOLTIPLICATORE 540 rpm - BONDIOLI**  
**GEARBOX 540 rpm - BONDIOLI**

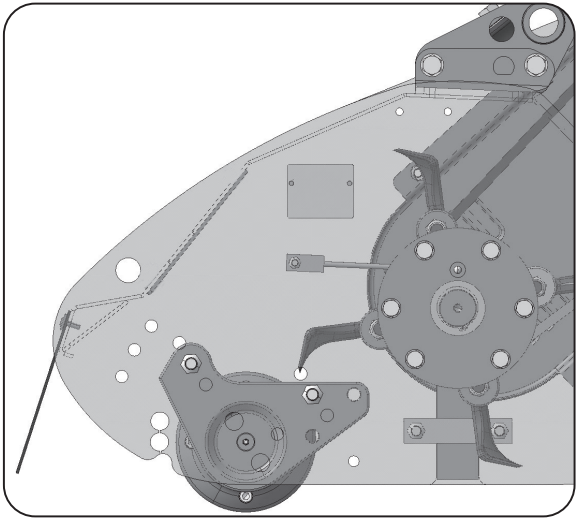
**TAV.060**

Pos.	Cod.	Descrizione	Description	Description	Benennung	Description
1	M30500151R	SCATOLA	GEARBOX	BOITE DE VITESSE	WECHSELGETRIEBEGEHAEUSE	CAJA CAMBIO
2	F03060331R	KIT COPERTURA 2061 CON TAPPI	KIT COVER 2061 WITH PLUGS			
3	M30500152R	ALBERO	SHAFT	ARBRE	ZENTRALWELLE	ARBOL
4	M30500103R	DISTANZIALE	SPACER	ENTRETOISE	DISTANZSTUECK	DISTANCIADOR
5	M30500104R	PIASTRINA	PLATE	PLAQUETTE	PLATTE	PLAQUITA
6	F01020436R	VITE M8X1,25X20 U5739 8.8ZN	SCR. M8X1,25X20 U5739 8.8ZN	VIS M8X1,25X 20 U5739 8.8 ZN	SCHRAUBE M8X1,25X20U5739 8.8ZN	TORNILLO M8X1,25X20 U5739 8.8
7	F01480099R	ROS.G 8,4X14,4X2,7 FLZNNC-240H	GROWER WASHER D.8	RONDELLE GROWER D.8	SCHLEIBE GROWER D.8	ARANDELA GROWER D.8
8	F03012216R	ANELLO SEEGER 35X2.50 DIN471 2	SNAP RING 35X2.50 DIN 471 2			
9	F02050403R	ANELLO E. DI 72X 2,5 U7437 C7	SEEGER RING E.72X2.5 U7437 C70	SEEGER E. 72X 2,5 U7437 C70	SEEGERING E. 72X 2,5 U7437 C70	ANILLO E. DI 72X 2,5 U7437 C7
10	F02050425R	ANELLO E. DI 80X 2,5 U7437 C70	SEEGER RING D.80	BAGUE SEEGER D.80	SEEGERRING D.80	ANILLO E. DI 80X 2,5 U7437 C70
11	M30500109R	ANELLO E. D.50 M3200	ELASTIC RING D.50	BAGUE ELASTIQUE D.50	RING D.50	ANILLO D.50
12	F06280033R	KIT SPESSORE E.35	SHIM KIT E.35			
13	F06280035R	KIT SPESSORE I.80	SHIM KIT I.80			
14	F02400084R	MOLLA X RUOTA LIBERA BONDIOLI	SPRING FOR FREE WHEEL BONDIOLI			
15	F04010175R	CUSC.D35 D72 B17 6207	BEARING D35 D72 B17 6207	ROULEMENT 6207	LAGER 6207	COJINETE 6207
16	F04010180R	CUSC.D40 D80 B18 6208	BEARING D40 D80 B18 6208	ROULEMENT 6208	LAGER 6208	COJINETE 6208
17	F04050014R	CUSC.D35 D72 T18,25 30207	BEARING D35 D72 T18,25 30207	ROULEMENT 30207	LAGER 30207	COJINETE 30207
18	F04050017R	CUSC.D40 D80 T19,75 30208	BEARING D40 D80 T19,75 30208	ROULEMENT D40 D80 T19,75 302	LAGER D40 D80 T19,75	COJINETE D40 D80 T19,75 3020
19	F03010277R	ANELLO T.AS 40X 80X10 D3760NBR	OIL SEAL 40X80X10 NBR	BOURAGE 40X80X10 NBR	OELABDICHTUNG 40X80X10 NBR	ANILLO T.AS 40X 80X10 D3760NBR
20	F03011026R	TAPPO CHIUSURA D=80 X 10 GA	COVER D. 80X10	BOUCHON 80X10	DECKEL 80X10	CORCHO 80X10
21	F03150719R	TAPPO 3 8 GAS	GAS CAP 3 8	BOUCHON	DECKEL	CORCHO
22	F03150606R	TAPPO SFIATO 1 4 GAS POT58	OIL BREATHING PLUG 1 4 GAS	BOUCHON REFOUL. GAZ POT58	ENTLSFTUNGSPFROPFEN 1 4 GAS PO	TAP N PURGADOR 1 4 GAS POT58
23	M30500153R	COPIA CONICA	BEVEL GEAR PAIR	COUPLE CONIQUE	KEGELRITZELSATZ	PAR CONICO
24	F03010265R	ANELLO T.AS 35X 80X10 D3760NBR	RING T.AS 35X80X10 D3760 NBR	BAGUE T.AS 35X 80X10 D3760 NBR	SCHUTZRING 35X80X10 D3760 NBR	INEL T.AS 35X80X10 D3760 NBR
25	M28419102R	PROLUNGA ALBERO TRASMISSIONE	TRANS. SHAFT EXTENSION	RALLONGE ARBRE DE TRANSMISS.	VERLZNGERUNG ANTRIEBSWELLE	EXTENSION ARBOL TRANS.
26	M28423102R	PROLUNGA TRASMISSIONE L=800	TRANS. EXTENSION L=800			
27	M28419202R	CORPO MOLT.540 RPM L=780	COMPL.GEARBOX L=780	BOITE DE VITESSE COMPL.L=780	WECHSELGETRIEBE KOMPL.L=780	CAJA CAMBIO COMPLETA L=780
28	M28423202R	CORPO MULTIP.540 RPM L=960	GEARBOX 540 RPM L=960			
29	M28400101R	SCATOLA MOLTIPL.540 BONDIOLI	GEARBOX	BOITE DE VITESSE	WECHSELGETRIEBEGEHAEUSE	CAJA CAMBIO
30	F03010283R	ANEL. T.AS 40X 90X10 D3760NBR	RING 40X 90X10 D3760NBR			
31	F02050447R	ANELLO E. DI 90X 3 U7437 C70	SEEGER RING DI 90X3 U7437 C70	BAGUE SEEGER DI 90X3 U7437 C70	SEEGERRING DI 90X 3 U7437 C70	ANILLO SEEGER DI 90X3 U7437
32	F04010218R	CUSC.D40 D90 B23 6308	BEARING D40 D90 B23 6308	ROULEMENT 6308	LAGER 6308	COJINETE 6308
33	M30500161R	ANELLO OR 72.69X2.62	GASKET OR 72.69X2.62	BAGUE OR 72.69X2.62	RING OR 72.69X2.62	ANILLO OR 72.69X2.62
34	M28415102R	PROLUNGA ALBERO TRASMISSIONE	TRANS. SHAFT EXTENSION	RALLONGE ARBRE DE TRANSMISS.	VERLZNGERUNG ANTRIEBSWELLE	EXTENSION ARBOL TRANS.
35	M28415202R	CORPO MOLT.540 RPM L=616	COMPL.GEARBOX L=616	BOITE DE VITESSE COMPL.L=616	WECHSELGETRIEBE KOMPL.L=616	CAJA CAMBIO COMPLETA L=616

**TAV.070**



- 1 - CORAZZA 155
- 2 - CORAZZA 170
- 3 - CORAZZA 190
- 4 - CORAZZA 210
- 5 - CORAZZA 230



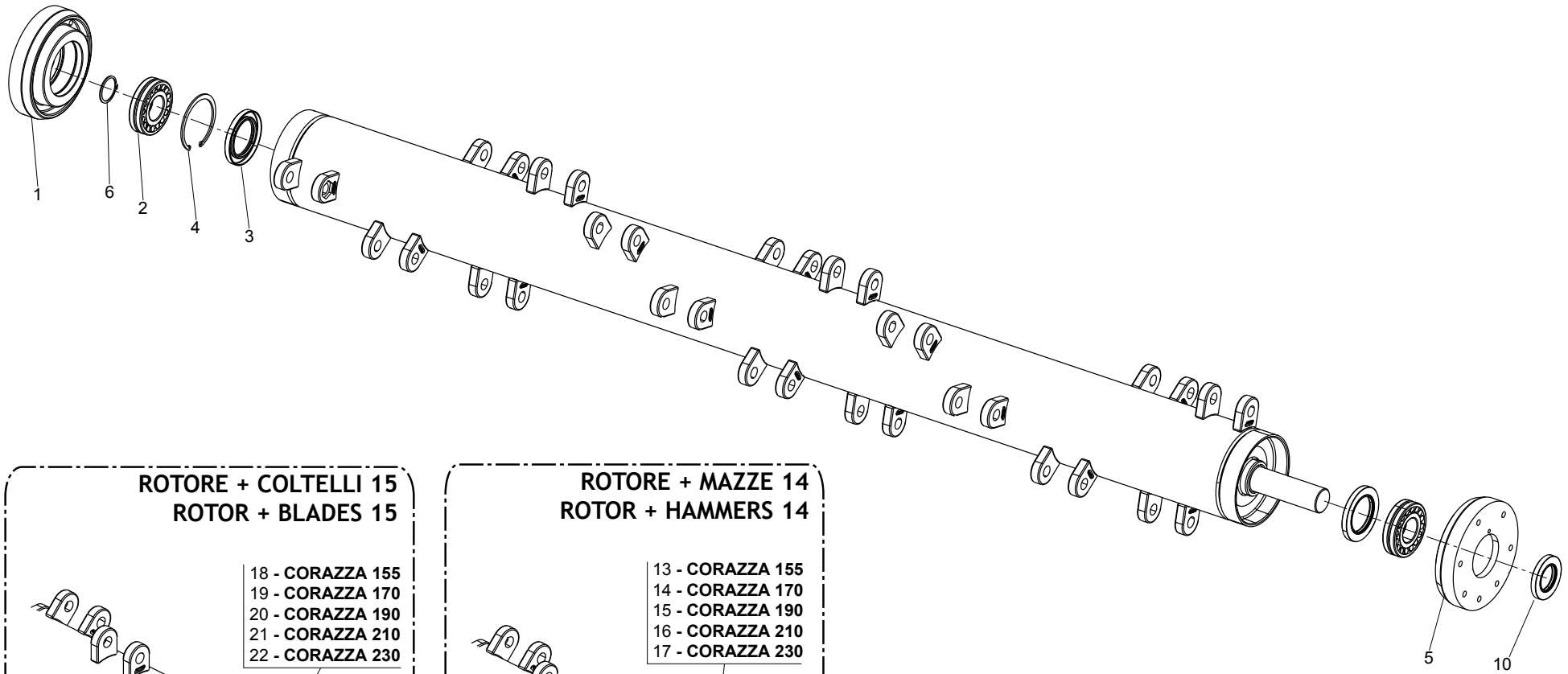


**RULLO  
ROLLER**

**TAV.070**

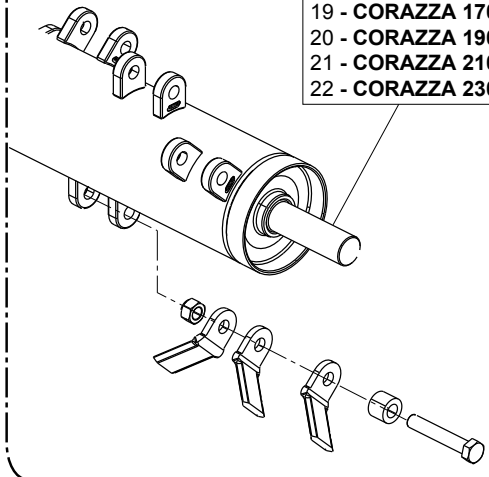
Pos.	Cod.	Descrizione	Description	Description	Benennung	Description
1	M30415601R	ASSIEME RULLO MOD.150	COMPLETE ROLLER MOD. 150			
2	M30417601R	ASSIEME RULLO MOD.170	ASSE ROLL MOD.170			
3	M30419601R	ASSIEME RULLO MOD.190	ROLL 190			
4	M30421601R	ASSIEME RULLO MOD.210	ROLL 210			
5	M30423601R	ASSIEME RULLO MOD.230	ROLL MOD. 230			
7	F01030285R	VITE M10X1.25X35 U5931 8.8DLS	SCREW M10X1.25X35 DLS			
8	F03010758R	ANEL. OR 148,82X3,53 NBR 70	GASKET OR 148,82X3,53 NBR 70	BAGUE OR 148,82X3,53 NBR 70	RING OR 148,82X3,53 NBR 70	ANILLO OR 148,82X3,53 NBR 70
9	M30400607R	SUPPORTO CUSCINETTO RULLO	ROLLER BEARING SUPPORT			
10	F04010327R	CUSC.D40 D80 B23 62208 2RS1	BEARING D40 D80 B23 62208 2RS2		BEARING D40 D80 B23 62208 2RS2	
11	F02050425R	ANELLO E. DI 80X 2,5 U7437 C70	SEEGER RING D.80	BAGUE SEEGER D.80	SEEGERRING D.80	ANILLO E. DI 80X 2,5 U7437 C70
12	M30400631R	STAFFA RULLO SX	LEFT STIRRUP			
13	M30400630R	STAFFA RULLO DX	RIGHT STIRRUP			
14	F02010022R	GHIERA AU.GUK M35X1,5 T.4H ZN	SELF LOCKING NUT M35X1,5	COLLIER AUTOBL. M35X1,5	SELBSTSP. NUTMUTTER M35X1,5	VIROLA AUTOBL. M35X1,5
15	F03010160R	ANELLO T.A. 50X 65X 8 D3760NBR	OIL SEAL 50X65X8	PARE-HUILE 50X65X8	OELABDICHTUNG 50X65X8	PARA-ACEITE 50X65X8
16	F01100011R	ING.M 6X1 7663-A 9SMNPB28 ZN	GREASE NIPPLE M6X1 7663-A ZN	GRAISS. A BILLE M6X1 7663A ZN	SCHMIERBUECHE M6X1 7663-A ZN	ENG.M 6X1 7663-A 9SMNPB28 ZN
17	M30400617R	ROSETTA SPESS. D=80 D=42 0,5	WASHER SPACER D=80 D=42 0,5			

**TAV.080**



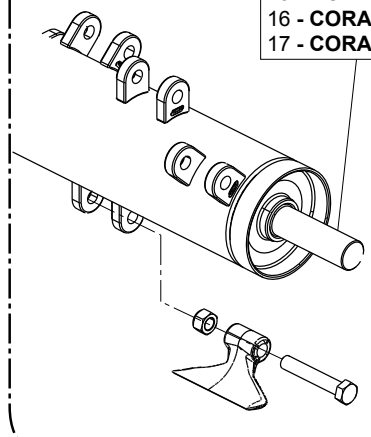
**ROTORE + COLTELLI 15  
ROTOR + BLADES 15**

- 18 - CORAZZA 155
- 19 - CORAZZA 170
- 20 - CORAZZA 190
- 21 - CORAZZA 210
- 22 - CORAZZA 230

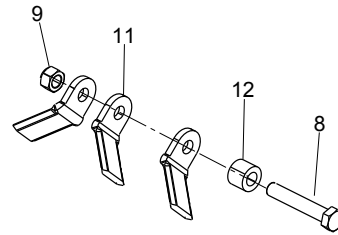


**ROTORE + MAZZE 14  
ROTOR + HAMMERS 14**

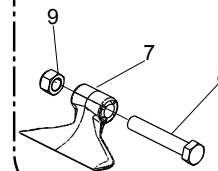
- 13 - CORAZZA 155
- 14 - CORAZZA 170
- 15 - CORAZZA 190
- 16 - CORAZZA 210
- 17 - CORAZZA 230



**COLTELLO 15  
BLADE 15**



**MAZZA 14  
HAMMER 14**

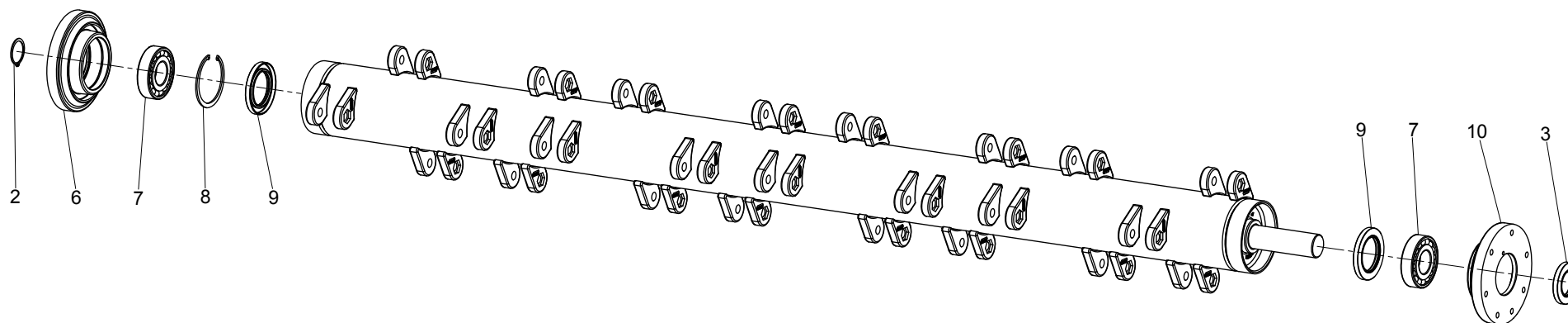


**ROTORE  
ROTOR**

**TAV.080**

Pos.	Cod.	Descrizione	Description	Description	Benennung	Description
1	T30004007R	SUPPORTO ROTORE DX	RIGHT ROTOR SUPPORT			
2	F04010031R	CUSC.D45 D100 B25 21309	BEARING D45 D100 B25 21309	ROULEMENT D45 D100 B25	LAGER D45 D100 B25	COJINETE D45 D100 B25
3	F03010218R	ANELLO T.A. 65X100X10 D3760NBR	OIL SEAL 65X100X10	PARE-HUILE 65X100X10 D3760NBR	OELABDICHTUNG 65X100X10 D3760	ANILLO 65X100X10
4	F02050471R	ANELLO E. DI100X 3 U7437 C70	SEEGER RING D.100	BAGUE SEEGER D.100	SEEGERRING D.100	ANILLO SEEGER D.100
5	T30004008R	SUPPORTO ROTORE SX	LEFT ROTOR SUPPORT	SUPPORT ROTOR	ROTORHALTER	SOPORTE ROTOR
6	F02050191R	ANELLO E. DE 45X1,75 U7435 C70	RING 45X1,75 U7435 C70	BAGUE ELASTIQUE UNI 7435	EXT.RING DE 45X1,75 U7435 C70	ANILLO DE 45X1,75 U7435 C70
7	M03400410R	MAZZA 14	HAMMER 14	MARTEAU DE 14 POUR BISONTE		MARTILLO 14
8	F20110092R	VIT. M20X1,5X116 SPEC. BR.8.8	BOLT M20X1,5X116 SPEC. BR.8.8	VIS M20X1,5X116 BR	BOZEN M20X1,5X116 SPEC. BR.8.8	TORNILLO AUTOBL. M20X1
9	F01230258R	DADO M20X1,5 U7474 8SZN	NUT M20X1,5 U7474 8SZN	ECROU AUTOBL.M20X1,5 ZN	SELBSTSPERR.MUTTER M20X1,5	DADO AUTOBL. M20X1,5
10	F03010139R	ANELLO T.A. 45X 80X10 D3760NBR	OIL SEAL 45X 80X10 D3760NBR	BOURRAGE 45X 80X10 D3760NBR	OELABDICHTUNG 45X 80X10 D3760	JUNTA DE ACEITE 45X 80X10
11	M03400406R	COLTELLO 15 A Y	BLADE Y 15	COUTEAU Y 15	MESSER Y 15	CUCHILLO Y 15
12	M03400407R	DISTANZIALE	BUSHING	BOUCLE	BUECHSE	ARANDELA
13	MSP000047R	COM.ROT.CR155-GF160 M14 NO SUP	ROTOR CR155-GF160 M14 NO SUP			
14	MSP000050R	COM.ROT.CORAZZA170 M14 NO SUP	CORAZ.ROTOR AS.HAMMER14 NO SUP			
15	MSP000053R	COM.ROT.CORAZZA190 M14 NO SUP	CORAZ.ROTOR 190 M14 NO SUP			
16	MSP000056R	COM.ROT.CR210-GF210 M14 NO SUP	ASS.ROTOR CR210-GF210 M14			
17	MSP000059R	COM.ROT.CORAZZA230 M14 NO SUP	CORAZ.ROTOR 230 M14 NO SUP			
18	M097154021R	COM.ROT.CR155-GF160 C15 NO SUP	ROTOR CR155-GF160 C15 NO SUP			
19	MSP000051R	COM.ROT.CORAZZA170 C15 NO SUP	CORAZ.ROTOR 170 C15 NO SUP			
20	M097194021R	COM.ROT.CORAZZA190 C15 NO SUP	CORAZ.ROTOR 190 C15 NO SUP			
21	M097214021R	COM.ROT.CR210-GF210 C15 NO SUP	ROTOR CR210-GF210 C15 NO SUP			
22	M097234021R	COM.ROT.CORAZZA230 C15 NO SUP	CORAZ.ROTOR 230 C15 NO SUP			

**ROTORE MULTIAGGRESSIVO  
MULTIAGGRESSIV ROTOR**



**ROTORE + MAZZE 20  
ROTOR + HAMMERS 20**

- 13 - CORAZZA 155
- 14 - CORAZZA 170
- 15 - CORAZZA 190
- 16 - CORAZZA 210

**ROTORE + COLTELLI 18  
ROTOR + BLADES 18**

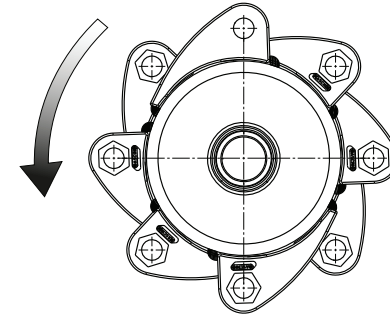
- 17 - CORAZZA 155
- 18 - CORAZZA 170
- 19 - CORAZZA 190
- 20 - CORAZZA 210

**ROTORE MULTIAGGRESSIVO  
MULTIAGGRESSIV ROTOR**

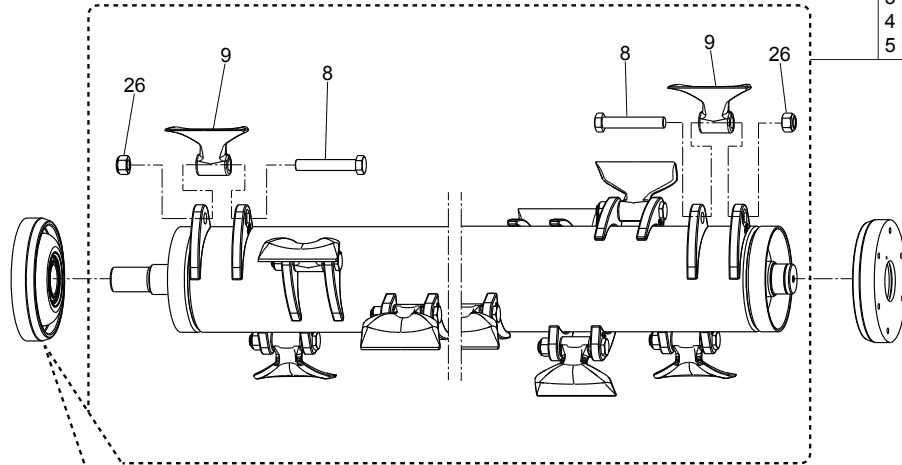
**TAV.090**

Pos.	Cod.	Descrizione	Description	Description	Benennung	Description
1	F01230084R	DADO M16X1,5 D982 6ZN	NUT M16X1,5 D982 6ZN	ECROU AUTOBL.M16X1,5 ZN	SELBSTSPERR.MUTTER M16X1,5	DADO AUTOBL. M16X1,5
2	F02050191R	ANELLO E. DE 45X1,75 U7435 C70	RING 45X1,75 U7435 C70	BAGUE ELASTIQUE UNI 7435	EXT.RING DE 45X1,75 U7435 C70	ANILLO DE 45X1,75 U7435 C70
3	F03010139R	ANELLO T.A. 45X 80X10 D3760NBR	OIL SEAL 45X 80X10 D3760NBR	BOURRAGE 45X 80X10 D3760NBR	OELABDICHTUNG 45X 80X10 D3760	JUNTA DE ACEITE 45X 80X10
4	F20110093R	VIT. M16X1.5X95 SPEC. BR.10.9	BOLT M16X1.5X95 SPEC. BR.10.9	VIS M16X1.5X95 BR	SCHRAUBE M16X1.5X95 SPEC.	TORNILLO M16X1.5X95 SPEC.
5	M30400415R	MAZZA 20 STAMPATA MAG	HAMMER 20 MAG			
6	M25400409R	SUPPORTO ROTORE LATO ESTERNO	ROTOR SUPPORT SIDE PANEL	SUPPORT ROTOR PARTIE LATERALE	ROTORHALTER SEITENWAND	SOPORTE ROTOR FLANCO
7	F04010031R	CUSC.D45 D100 B25 21309	BEARING D45 D100 B25 21309	ROULEMENT D45 D100 B25	LAGER D45 D100 B25	COJINETE D45 D100 B25
8	F02050471R	ANELLO E. D1100X 3 U7437 C70	SEEGER RING D.100	BAGUE SEEGER D.100	SEEGERRING D.100	ANILLO SEEGER D.100
9	F03010218R	ANELLO T.A. 65X100X10 D3760NBR	OIL SEAL 65X100X10	PARE-HUILE 65X100X10 D3760NBR	OELABDICHTUNG 65X100X10 D3760	ANILLO 65X100X10
10	M25400410R	SUPPORTO ROTORE LATO TRASMISS.	ROTOR SUPPORT TRANSM. SIDE	SUPPORT ROTOR COTE TRANSM.	ROTORHALTER TRANSMISSIONSEITE	SOPORTE ROTOR LADO TRASMISSION
11	M07400954R	COLTELLO 18	KNIFE*18	COUTEAU 18 GALVANISE P		
12	T21004046R	DISTANZIALE COLTELLO ZPG	SPACER KNIFE	DIUTEAU TIPE ZN		
13	M304154011R	COM.ROT.CR BL155-GF160 MAG M20	ROTOR CR BL155-GF160 MAG*M20			
14	M304174011R	COM.ROT.CR BL155-GF160 MAG M20	ROTOR CR BL155-GF160 MAG*M20			
15	MSP000119R	COM.ROT.CR BL190-GF185 MAG M20	ROTOR CR BL190-GF185 MAG*M20			
16	MSP000122R	COM.ROT.CR BL210-GF210 MAG M20	ROTOR CR BL210-GF210 MAG*M20			
17	MSP000114R	COM.ROT.CR BL155-GF160 MAG C18	ROTOR CR BL155-GF160 MAG*C18			
18	MSP000117R	COM.ROT.BL170-CR170 MAG C18	ROTOR BL170-CR170 MAG*C18			
19	M304194021R	COM.ROT.CR BL190-GF185 MAG C18	ROTOR CR BL190-GF185 MAG*C18			
20	MSP000123R	COM.ROT.CR BL210-GF210 MAG C18	ROTOR CR BL210-GF210 MAG*C18			

**ROTORE ANTI-DANNEGGIAMENTO  
ANTI-DAMAGE ROTOR**

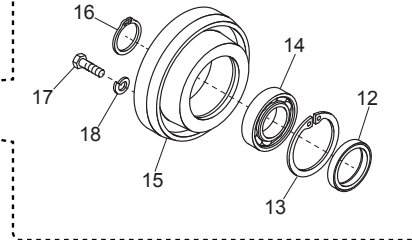


**ROTORE + MAZZE 14  
ROTOR + HAMMERS 14**

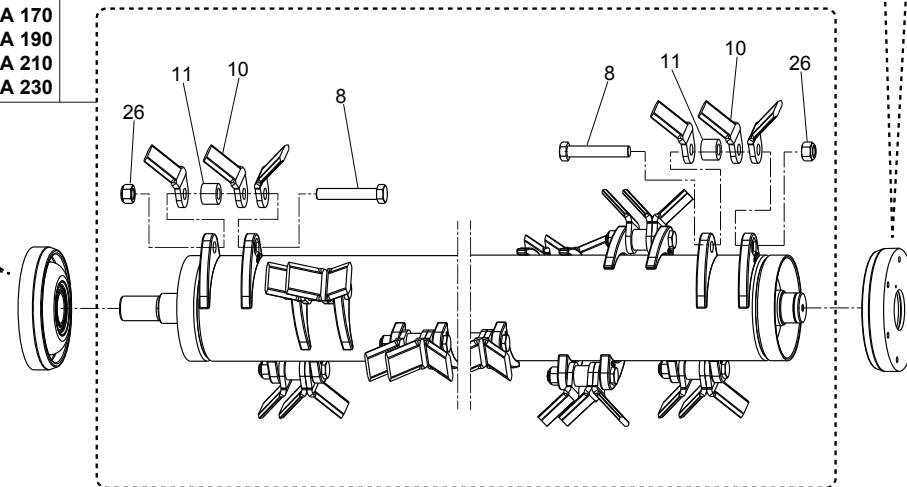


- 1 - CORAZZA 155
- 2 - CORAZZA 170
- 3 - CORAZZA 190
- 4 - CORAZZA 210
- 5 - CORAZZA 230

**SUPPORTO ROTORE DX  
RH ROTOR SUPPORT**

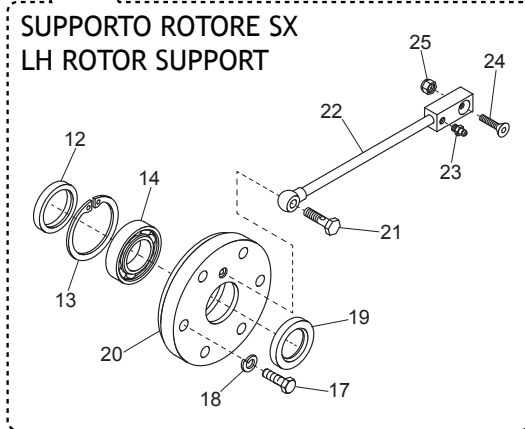


**ROTORE + COLTELLI 15  
ROTOR + BLADES 15**



- 27 - CORAZZA 155
- 28 - CORAZZA 170
- 29 - CORAZZA 190
- 30 - CORAZZA 210
- 31 - CORAZZA 230

**SUPPORTO ROTORE SX  
LH ROTOR SUPPORT**



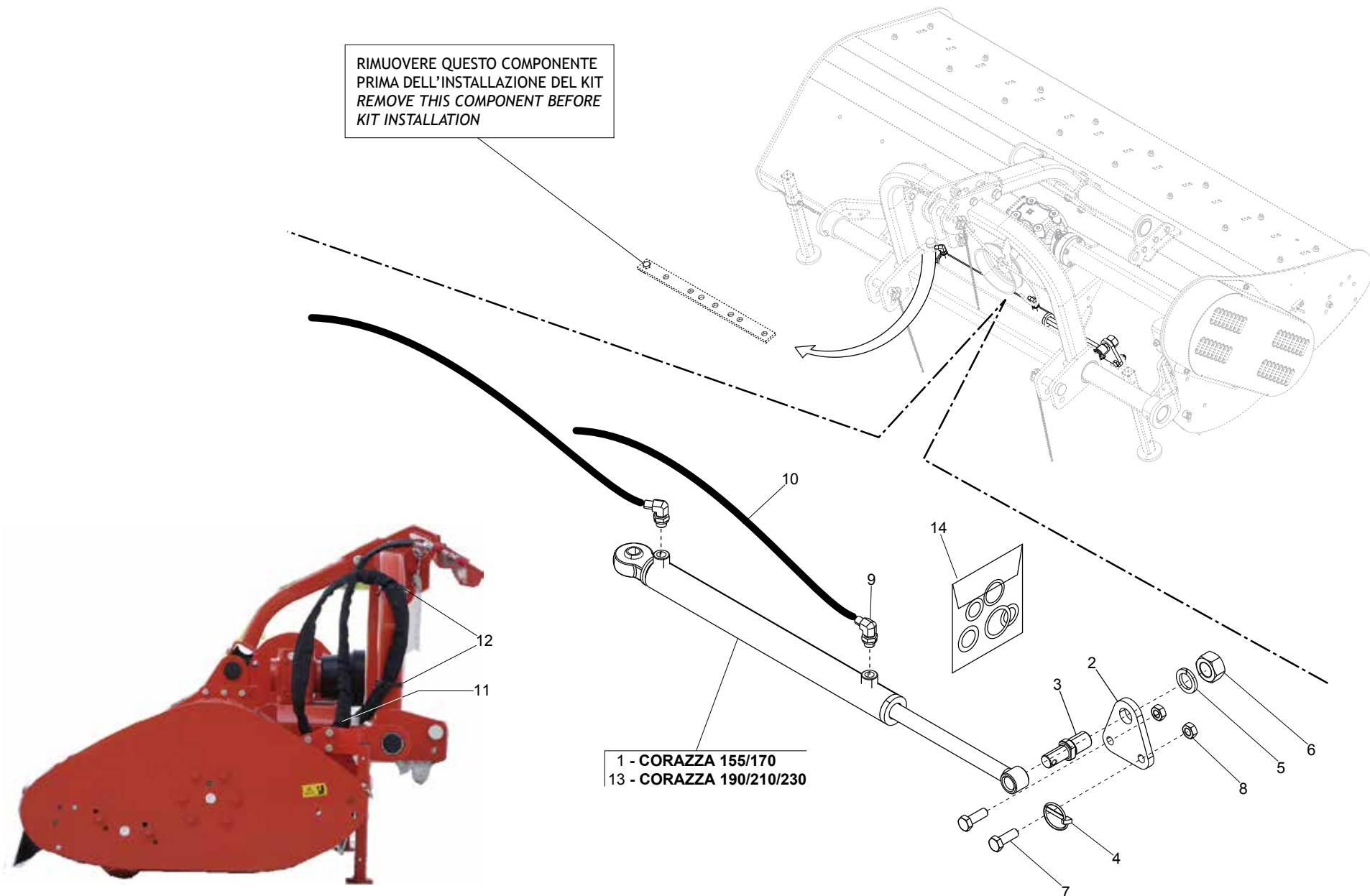
**ROTORE SPIRALE CON SUPPORTI ANTI-DANNEGGIAMENTO  
SPIRAL ROTOR WITH ANTI-DAMAGE FLAIL SUPPORTS**

**TAV.100**

Pos.	Cod.	Descrizione	Description	Description	Benennung	Description
1	M30415418R	COMP.ROT.SPECIALE M14S NO SUP	ROTOR CR-GF M14S NO SUP			
2	M30417418R	COMP.ROT.SPECIALE M14S NO SUP	ROTOR CR-GF M14S NO SUP			
3	M30419418R	COMP.ROT.SPECIALE M14S NO SUP	ROTOR CR-GF M14S NO SUP			
4	M30421418R	COMP.ROT.SPECIALE M14S NO SUP	ROTOR CR-GF M14S NO SUP			
5	M30423418R	COMP.ROT.SPECIALE M14S NO SUP	ROTOR CR-GF M14S NO SUP			
8	F20110092R	VIT. M20X1.5X116 SPEC. BR.8.8	BOLT M20X1.5X116 SPEC. BR.8.8	VIS M20X1.5X116 BR	BOZEN M20X1.5X116 SPEC. BR.8.8	TORNILLO AUTOBL. M20X1
9	M03400410R	MAZZA 14	HAMMER 14	MARTEAU DE 14 POUR BISONTE		MARTILLO 14
10	M03400406R	COLTELLO 15 A Y	BLADE Y 15	COUTEAU Y 15	MESSER Y 15	CUCHILLO Y 15
11	M03400407R	DISTANZIALE	BUSHING	BOUCLE	BUECHSE	ARANDELA
12	F03010218R	ANELLO T.A. 65X100X10 D3760NBR	OIL SEAL 65X100X10	PARE-HUILE 65X100X10 D3760NBR	OELABDICHTUNG 65X100X10 D3760	ANILLO 65X100X10
13	F02050471R	ANELLO E. DI100X 3 U7437 C70	SEEGER RING D.100	BAGUE SEEGER D.100	SEEGERRING D.100	ANILLO SEEGER D.100
14	F04010031R	CUSC.D45 D100 B25 21309	BEARING D45 D100 B25 21309	ROULEMENT D45 D100 B25	LAGER D45 D100 B25	COJINETE D45 D100 B25
15	T30004007R	SUPPORTO ROTORE DX	RIGHT ROTOR SUPPORT			
16	F02050191R	ANELLO E. DE 45X1,75 U7435 C70	RING 45X1,75 U7435 C70	BAGUE ELASTIQUE UNI 7435	EXT.RING DE 45X1,75 U7435 C70	ANILLO DE 45X1,75 U7435 C70
17	F01010283R	VITE M12X1,25X30 U5740 8.8ZN	SCR. M12X1,25X30 U5740 8.8ZN	VIS M 12X1,25X30	SCHRAUBE M 12X1,25X30	TORNILLO M 12X1,25X30
18	F01480123R	ROS.G 12,5X22,9X 4 FLZNNC-240H	WASHER M12 ZGP EXTRA P.	RONDELLE M12 ZGP EXTRA P.	UNTERLEGSCHIEBE M12 ZGP EXTRA	ARANDELA M12 ZGP EXTRA P.
19	F03010139R	ANELLO T.A. 45X 80X10 D3760NBR	OIL SEAL 45X 80X10 D3760NBR	BOURRAGE 45X 80X10 D3760NBR	OELABDICHTUNG 45X 80X10 D3760	JUNTA DE ACEITE 45X 80X10
20	T30004008R	SUPPORTO ROTORE SX	LEFT ROTOR SUPPORT	SUPPORT ROTOR	ROTORHALTER	SOPORTE ROTOR
21	T24004003R	VITE FORATA PER INGRASSAGGIO	BOLT	VIS	SCHRAUBE	TORNILLO
22	T24004000R	ASSIEME INGRASSATORE	GREASE NIPPLE	GRAISSEUR	SCHMIERNIPPEL	ENGRASADOR
23	F01100011R	ING.M 6X1 7663-A 9SMNPB28 ZN	GREASE NIPPLE M6X1 7663-A ZN	GRAISS. A BILLE M6X1 7663A ZN	SCHMIERBUECHE M6X1 7663-A ZN	ENG.M 6X1 7663-A 9SMNPB28 ZN
24	F01030058R	VITE M8X1,25X30 U5933 10.9ZD	SCR. M8X1,25X30 U5933 10.9ZD	VIS M8 X1,25 X30 U5933 10,9 ZD	SCHRAUBE M8X1,25X30 U5933 10,9	TORNILLO M8X1,25X30 U5933 10,9
25	F01220022R	DADO M8X1,25 D980 8ZN	NUT M8X1,25 D980 8ZN	ECROU M8X 1,25 D980 8 ZN	MUTTER M8X 1,25 D980 8 ZN	TUERCA M8X 1,25 D980 8 ZN
26	F01230258R	DADO M20X1,5 U7474 8SZN	NUT M20X1,5 U7474 8SZN	ECROU AUTOBL.M20X1,5 ZN	SELBSTSPERR.MUTTER M20X1,5	DADO AUTOBL. M20X1,5
27	M30415419R	COMP.ROT.SPECIALE C15S NO SUP	ROTOR CR-GF C15S NO SUP			
28	M30417419R	COMP.ROT.SPECIALE C15S NO SUP	ROTOR CR-GF C15S NO SUP			
29	M30419419R	COMP.ROT.SPECIALE C15S NO SUP	ROTOR CR-GF C15S NO SUP			
30	M30421419R	COMP.ROT.SPECIALE C15S NO SUP	ROTOR CR-GF C15S NO SUP			
31	M30423419R	COMP.ROT.SPECIALE C15S NO SUP	ROTOR CR-GF C15S NO SUP			

# TAV.110

RIMUOVERE QUESTO COMPONENTE  
PRIMA DELL'INSTALLAZIONE DEL KIT  
REMOVE THIS COMPONENT BEFORE  
KIT INSTALLATION



- 1 - CORAZZA 155/170
- 13 - CORAZZA 190/210/230

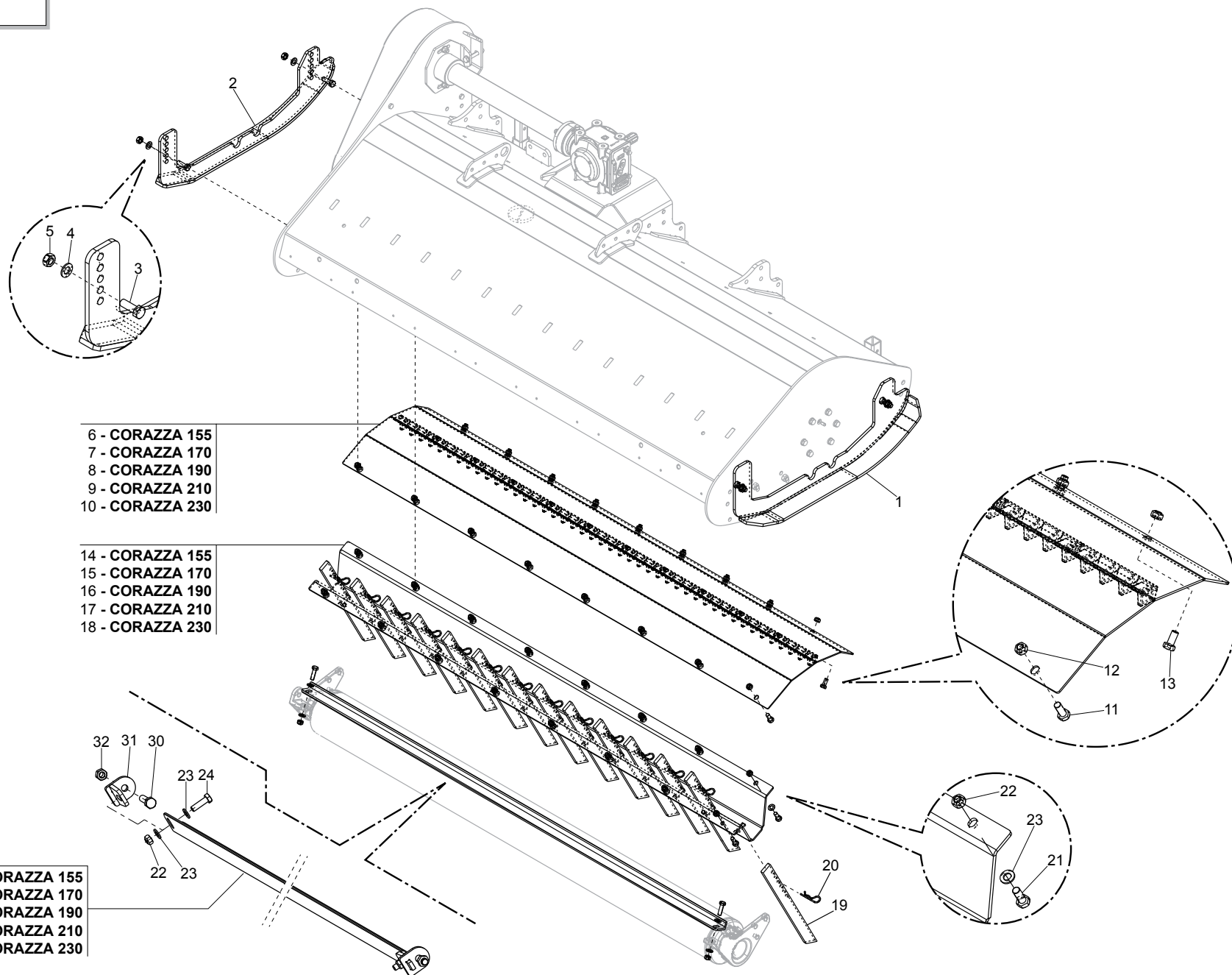


**KIT SPOSTAMENTO IDRAULICO  
HYDRAULIC OFFSET KIT**

**TAV.110**

Pos.	Cod.	Descrizione	Description	Description	Benennung	Description
1	T24139730R	CILINDRO CORAZZA 155 - 170	HYDRAULIC CYLINDER 155-170			
2	M09700538R	ATTACCO CILINDRO	MOUNT CYLINDER			
3	T24009731R	PERNO ATTACCO CILINDRO ZPG	CYLINDER FITTING PIN	GOUJON ATTELAGE CYLINDRE	BOLZEN ZUR ZYLINDERBEFESTIGUNG	TORNILLO JUNTA CILINDRO
4	F02200485R	SPINA SCATTO D.6 SPEC. ZG	SNAP PIN D.6 ZN	GOUPILLE D.6	SPLINT D.6	RODETE D.6
5	F01480250R	ROS.G 28X42 X 5 U1751B ZN	GROWER WASHER D.28X42	RONDELLE GROWER D.28X42	SCHEIBE GROWER D.28X42	ARANDELA GROWER D.28X42
6	F01200388R	DADO M27X2 U5589 CL8 ZN 6SZN	NUT M27X2 U5589 6SZN	ECROU M27X2	MUTTER M27X2	DADO M27X2
7	F01010318R	VITE M14X1,5X40 U5740 8.8ZN	SCR. M14X1,5X40 U5740 8.8ZN	VIS M 14X1,5X40	SCHRAUBE M 14X1,5X40	TORNILLO M 14X1,5X40
8	F01220059R	DADO M14X1,5 D980 8ZN	NUT M14X1,5 D980 8ZN	ECROU M14X 1,5 D980 8 ZN	MUTTER M14X 1,5 D980 8 ZN	TUERCA M14X 1,5 D980 8 ZN
9	F03150842R	ADATT.A 90 ORIENT.3 8-1 4	90 ADAPTOR 3 8-1 4	ADAPTEUR 90	PASSTUECK 90	ADAPTADOR 90
10	F03060008R	KIT TUBAZ.IDR.X CR-BS-BL-BV	HYDRAULIC PIPE KIT CR-BS-BL-BV	KIT TUBE	HYDRAUL.ROHR KIT	KIT TUBO
11	F05150055R	FASCETTA POLYA. 3,6X200 NERA	WHITE BAND	BANDE BIANCHE	WEIBE BAND	BANDA POLYA. 3,6X200 NEGRA
12	F05150069R	FASC.NERA 9X430 RTA.ART.5329	BLACK BAND	BANDE NOIR 9X430	SCHWARZER BAND 9X430	CINTA NEGRO
13	T24199730R	CILINDRO CR190 210 230	CYLINDER CR190 210 230	VERIN CR190 210 230	ZILINDER CR190 210 230	CILINDRO CR190 210 230
14	F03100115R	SERIE GUARNIZ.CILID.T24199730	SERIE GASKET CILID.T24199730			

# TAV.120



- 6 - CORAZZA 155
- 7 - CORAZZA 170
- 8 - CORAZZA 190
- 9 - CORAZZA 210
- 10 - CORAZZA 230

- 14 - CORAZZA 155
- 15 - CORAZZA 170
- 16 - CORAZZA 190
- 17 - CORAZZA 210
- 18 - CORAZZA 230

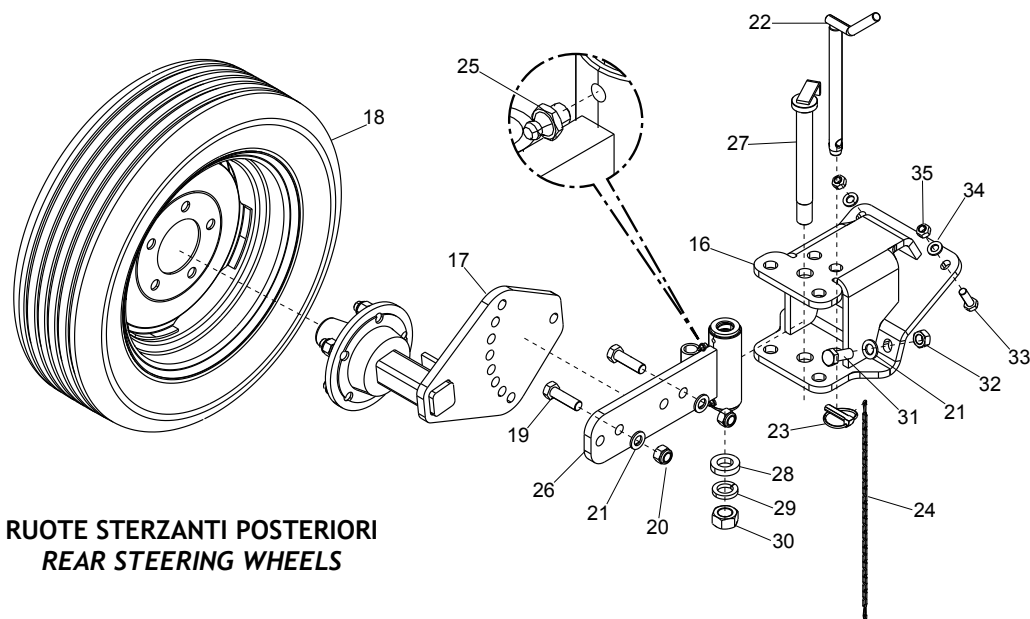
- 25 - CORAZZA 155
- 26 - CORAZZA 170
- 27 - CORAZZA 190
- 28 - CORAZZA 210
- 29 - CORAZZA 230

**SLITTE, LAMIERA ANTIUSURA E KIT DENTI DI RACCOLTA  
SKIDS, DOUBLE SKIN AND COLLECTING RAKES**

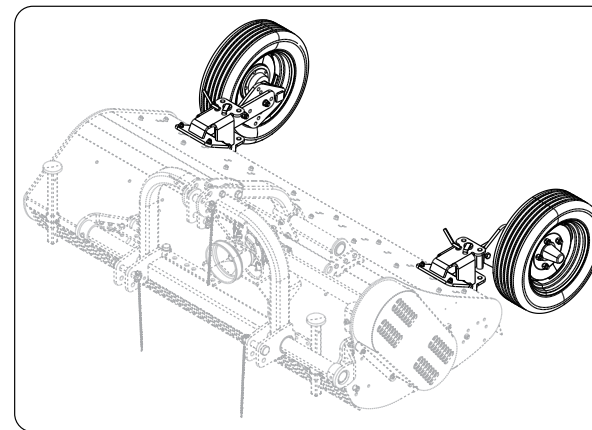
**TAV.120**

Pos.	Cod.	Descrizione	Description	Description	Benennung	Description
1	M09700562R	SLITTA DX	RIGHT SKID			
2	M09700563R	SLITTA SX	LEFT SKID			
3	F01010318R	VITE M14X1,5X40 U5740 8.8ZN	SCR. M14X1,5X40 U5740 8.8ZN	VIS M 14X1,5X40	SCHRAUBE M 14X1,5X40	TORNILLO M 14X1,5X40
4	F01410088R	ROS.M14 15X 28X2,5 U6592 ZN	WAS.M14 15X 28X2,5 U6592 ZB	RON.M14 15X 28X2,5 U6592 ZB	SCH.M14 15X 28X2,5 U6592 ZB	ARA.M14 15X 28X2,5 U6592 ZB
5	F01220059R	DADO M14X1,5 D980 8ZN	NUT M14X1,5 D980 8ZN	ECROU M14X 1,5 D980 8 ZN	MUTTER M14X 1,5 D980 8 ZN	TUERCA M14X 1,5 D980 8 ZN
6	M09715513R	LAM.ANTIUS CONTROC155	WEAR RESISTANT SHEET			
7	M09717513R	LAM.ANTIUS CONTROC170	WEAR RESISTANT SHEET 170			
8	M09719513R	LAM.ANTIUS CONTROC190	WEAR RESISTANT SHEET 190			
9	M09721513R	LAM.ANTIUS CONTROC 210	WEAR RESISTANT SHEET 210			
10	M09723513R	LAM.ANTIUS CONTROC 230	WEAR RESISTANT SHEET 230			
11	M71100532R	VITE M12X1,25X 25 SPEC.8.8 ZN	BOLT M12X1,25X25	VIS M12X1,25X25	SCHRAUBE M12X1,25X25	TORNILLO M12X1,25X25
12	F01220047R	DADO M12X1,25 D980 8ZN	NUT M12X1,25 D980 8ZN	ECROU M12X1,25 D980 8 ZN	MUTTER M12X1,25 D980 8 ZN	TUERCA M12X1,25 D980 8 ZN
13	F01010283R	VITE M12X1,25X30 U5740 8.8ZN	SCR. M12X1,25X30 U5740 8.8ZN	VIS M 12X1,25X30	SCHRAUBE M 12X1,25X30	TORNILLO M 12X1,25X30
14	M09715510R	LAMIERA SUP.ROSTRI CORAZZA 155	PLATE CORAZZA 155			
15	M09717510R	LAMIERA SUP.ROSTRI CORAZZA 170	PLATE CORAZZA 170			
16	M09719510R	LAMIERA SUP.ROSTRI CORAZZA 190	PLATE SUP. CORAZZA 190			
17	M09721510R	LAMIERA SUP.ROSTRI CORAZZA 210	PLATE SUP. CORAZZA 210			
18	M09723510R	LAMIERA SUP.ROSTRI CORAZZA 230	PLATE SUP. CORAZZA 230			
19	T21005015R	ROSTRO	COLLECTING RAKE	DENT DE RATEAU	SCHNABEL	ROSTRO
20	F02200374R	COPIGLIA R 4X 82 ZN	SPRING SPLIT PIN 4X82	GOUPILLE 4X82	SPLINT 4X82	PASADOR 4X82
21	F01010283R	VITE M12X1,25X30 U5740 8.8ZN	SCR. M12X1,25X30 U5740 8.8ZN	VIS M 12X1,25X30	SCHRAUBE M 12X1,25X30	TORNILLO M 12X1,25X30
22	F01220047R	DADO M12X1,25 D980 8ZN	NUT M12X1,25 D980 8ZN	ECROU M12X1,25 D980 8 ZN	MUTTER M12X1,25 D980 8 ZN	TUERCA M12X1,25 D980 8 ZN
23	F01410076R	ROS.M12 13X 24X2,5 U6592 ZN	WASHER 12 13X 24X2,5 U6592 ZN	RONDEL. M12 13X24X2,5 U6592 ZN	SCHEIBE M12 13X24X2,5 U6592 ZN	ARAND.M12 13X 24X2,5 U6592 ZN
24	F01010291R	VITE M12X1,25X40 U5740 8.8ZN	SCR. M12X1,25X40 U5740 8.8ZN	VIS M12X1,25X40 U5740 8.8 ZN	SCHR.M12X1,25X40 U5740 8.8 ZN	TORN. M12X1,25X40 U5740 8.8 ZN
25	M22416602R	RASCHIA FANGO BV 160 ZG	MUD SCRAPER BV 160	DECROTTOIR POUR BOUE BV 160	ABSTREIFER FUR SCHLAMM BV 160	RASCADOR PARA FANGO BV 160
26	M22417602R	RASCHIA FANGO BV 170 ZG	MUD SCRAPER BV 170	DECROTTOIR POUR BOUE BV 170	ABSTREIFER FUR SCHLAMM BV 170	RASCADOR PARA FANGO BV 170
27	M22419602R	RASCHIA FANGO BV 190 ZG	MUD SCRAPER BV 190	DECROTTOIR POUR BOUE BV 190	ABSTREIFER FUR SCHLAMM BV 190	RASCADOR PARA FANGO BV 190
28	M22421602R	RASCHIA FANGO BV 210 ZG	MUD SCRAPER BV 210	DECROTTOIR POUR BOUE BV 210	ABSTREIFER FUR SCHLAMM BV 210	RASCADOR PARA FANGO BV 210
29	M34422601R	RASCHIA FANGO TORNADO 230	MUD SCRAPER TORNADO 230			
30	F01010320R	VITE M14X1,5X50 U5740 8.8ZN	SCR. M14X1,5X50 U5740 8.8ZN			
31	M30400619R	SUPPORTO RASCHIA RULLO	SCRAPER SUPPORT			
32	F01220059R	DADO M14X1,5 D980 8ZN	NUT M14X1,5 D980 8ZN	ECROU M14X 1,5 D980 8 ZN	MUTTER M14X 1,5 D980 8 ZN	TUERCA M14X 1,5 D980 8 ZN

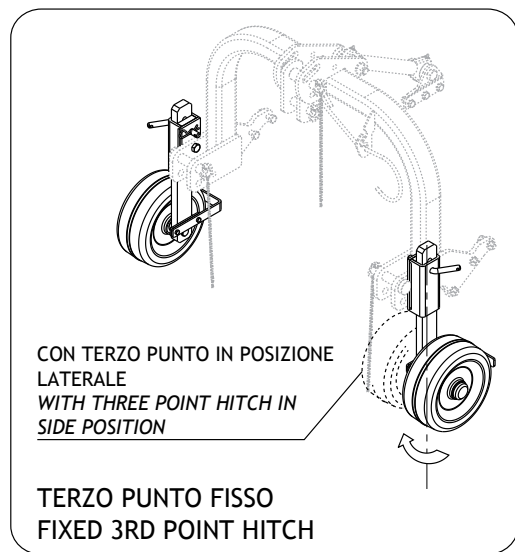
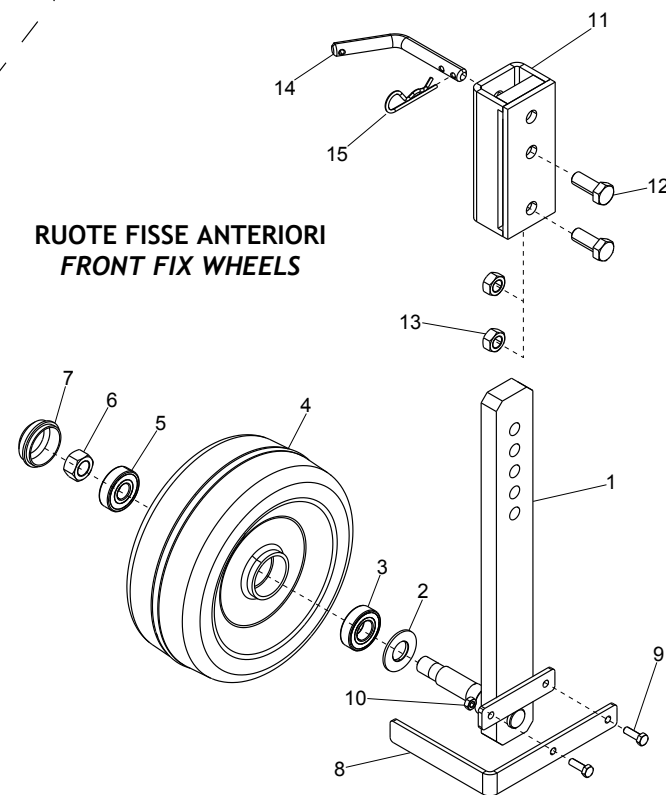
**TAV.130**



**RUOTE STERZANTI POSTERIORI  
REAR STEERING WHEELS**

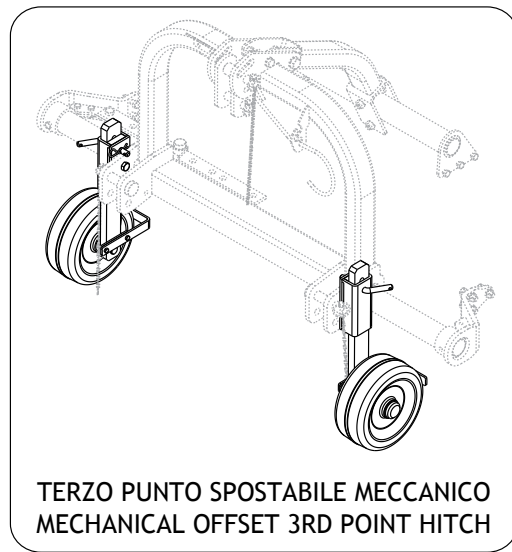


**RUOTE FISSE ANTERIORI  
FRONT FIX WHEELS**



**CON TERZO PUNTO IN POSIZIONE  
LATERALE  
WITH THREE POINT HITCH IN  
SIDE POSITION**

**TERZO PUNTO FISSO  
FIXED 3RD POINT HITCH**



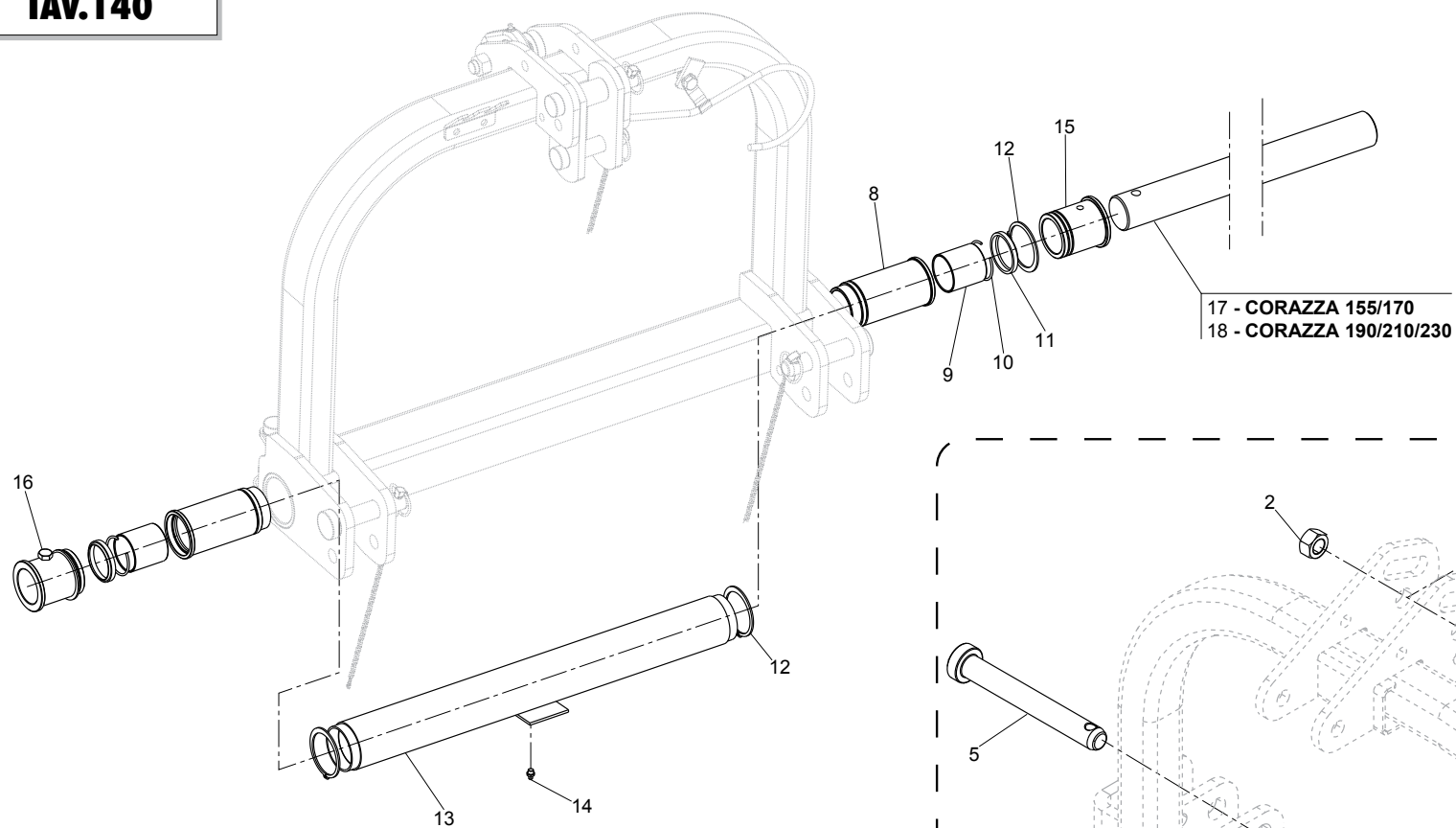
**TERZO PUNTO SPOSTABILE MECCANICO  
MECHANICAL OFFSET 3RD POINT HITCH**

**RUOTE FISSE ANTERIORI E STERZANTI POSTERIORI  
FRONT FIX AND REAR STEERING WHEELS**

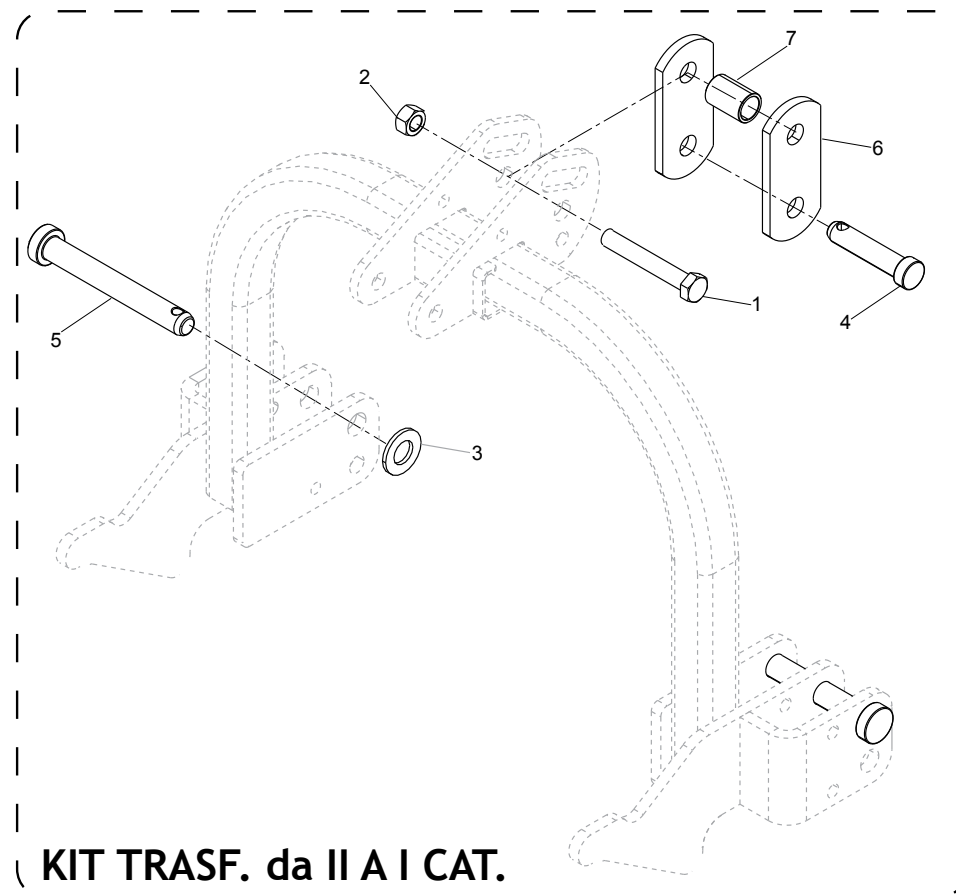
**TAV.130**

Pos.	Cod.	Descrizione	Description	Description	Benennung	Descripcion
1	M09700557R	BRACCIO RUOTA	ARM WHEEL			
2	M19100621R	DISTANZIALE	SPACER	ENTRETOISE	DISTANZSTUECK	DISTANCIADOR
3	F04010170R	CUSC.D25 D52 B15 6205 2RS EX	BEARING D25 D52 B15 6205 2RS	ROULEMENT 6205 2RS	LAGER 6205 2RS	COJIN.D25 D52 B15 6205 2RS EX
4	M68100713R	COMP. RUOTA	WHEEL	ROUE	RAD	RUEDA
5	F04010208R	CUSCINETTO 6304 2RS	COJINETE 6304 2RS			
6	F01220093R	DADO M20X1,5 D980 8ZN	NUT M20X1,5 D980 8ZN	ECROU AUTOBL.M20X1,5 ZN	SELB.MUTTER M20X1,5 D980 8ZN	TUERCA AUTOBL.M20X1,5 D980 8ZN
7	F03151006R	CALOTTA D.52	COVER	COUVERCLE	DECKEL	TAPA
8	M09700560R	RASCHIATERRA	SOIL SCRAPPER			
9	F01020440R	VITE M8X1,25X25 U5739 8.8ZN	SCR. M8X1,25X25 U5739 8.8ZN	VIS M8X1,25X25 U5739 8.8 ZN	SCHRAUBE M8X1,25X25U5739 8.8ZN	TORNILLO M8X1,25X25 U5739 8.8
10	F01220022R	DADO M8X1,25 D980 8ZN	NUT M8X1,25 D980 8ZN	ECROU M8X 1,25 D980 8 ZN	MUTTER M8X 1,25 D980 8 ZN	TUERCA M8X 1,25 D980 8 ZN
11	M09700552R	SUPPORTO	SUPPORT			
12	F01010339R	VITE M16X1,5X40 U5740 8.8ZN	SCR. M16X1,5X40 U5740 8.8ZN	VIS M 16X1,5X40	SCHRAUBE M 16X1,5X40	TORNILLO M 16X1,5X40
13	F01220070R	DADO M16X1,5 D980 10ZN	NUT M16X1,5 D980 8ZN	ECRO.M16X1,5 D980 8ZN	MUTTER M16X1,5 D980 8ZN	TUER.M16X1,5 D980 8ZN
14	M26100713R	PERNO BLOCCAGGIO RUOTA	WHEEL ADJUSTER PIN	GOIJON	BOLZEN	PERNO
15	F02200374R	COPIGLIA R 4X 82 ZN	SPRING SPLIT PIN 4X82	GOUPILLE 4X82	SPLINT 4X82	PASADOR 4X82
16	M09700612R	COMPOSTO ATTACCO RUOTA	ATTACK WHEEL			
17	M32400550R	COMP.SEMIASSE RUOTA	COMPL. WHEEL SEMIAXLE SHAFT			
18	F06120109R	RUOTA 185 60 R 14 CER.F5 DECL	WHEEL 85 60 R 14 CER.F5 DECL	ROUE 185 60 R 14 CER.F5 DECL	RAD 185 60 R 14 CER.F5 DECL	RUEDA 185 60 R 14 CER.F5 DECL
19	F01010115R	VITE M16X1,5X55 U5738 8.8ZN	SCR. M16X1,5X55 U5738 8.8ZN	VIS M16X1,5 X55 U5738 8.8ZN	SCHRAU. M16X1,5X55 U5738 8.8ZN	TORN. M16X1,5X55 U5738 8.8ZN
20	F01230084R	DADO M16X1,5 D982 6ZN	NUT M16X1,5 D982 6ZN	ECROU AUTOBL.M16X1,5 ZN	SELBSTSPERR.MUTTER M16X1,5	DADO AUTOBL. M16X1,5
21	F01410100R	ROS.M16 17X 30X 3 U6592 ZN	WASHER M16 17X30X3 U6592 ZN	RONDELLE M16 17X30X3 ZN	SCHRAUBE M16 17X 30X3 U6592 ZN	ARAND.M16 17X 30X 3 U6592 ZN
22	T40005192R	ASSIEME PERNO BLOCC. RUOTA ZPG	PIN	AXE	BOLZEN	PERNO
23	F02200529R	SPINA SCATTO D.11 H58 ZN	SNAP PIN D.11 H58 ZN	FICHE A DETENTE D.11 H58 ZN	EINRASTSTIFT D.11 H58 ZN	CLAVIJA DE MUELLE D.11 H58 ZN
24	M58100930R	CATENELLA L=476	ASSEMBLY CHAIN DMP L=476	CHAINE L=476	KETTE L=476	CADENA L=476
25	F01100048R	ING.M 8X1,25 7663A 9SMNPB28 Z	GREASE NIPPLE M8X1,25 U7663A	GRAISSEUR A BILLES M8X1,25	SCHMIERBUECHSE M8X1,25 7663A	ENG.M 8X1,25 7663A 9SMNPB28 Z
26	T22008107R	COMP.M.ASSIEME SNODO RUOTE	ASSY WHEEL ART.W BUSHINGS			
27	T24008152R	PERNO	PIN	AXE	BOLZEN	PERNO
28	T24008102R	BOCCOLA DISTANZIALE ZN	BUSHING SPACER ZN			
29	F01480189R	ROS.G 25X39,5X 6 FLZNNC-240H	GROWER WASHER D.24	RONDELLE GROWER D.24	SCHEIBE GROWER D.24	ARANDELA GROWER D.24
30	F01200377R	DADO M24X2 U5588 CL8 ZN 6.8ZN	NUT M24X2 U5588 6.8ZN	ECROU M24X2 U5586 6.8 ZN	MUTTER M24X2 U5588 6.8 ZN	TUERCA M24X2 U5588 6.8 ZN
31	F01010339R	VITE M16X1,5X40 U5740 8.8ZN	SCR. M16X1,5X40 U5740 8.8ZN	VIS M 16X1,5X40	SCHRAUBE M 16X1,5X40	TORNILLO M 16X1,5X40
32	F01220070R	DADO M16X1,5 D980 10ZN	NUT M16X1,5 D980 8ZN	ECRO.M16X1,5 D980 8ZN	MUTTER M16X1,5 D980 8ZN	TUER.M16X1,5 D980 8ZN
33	F01010288R	VITE M12X1,25X35 U5740 8.8ZN	SCR. M12X1,25X35 U5740 8.8ZN	VIS M12X1,25X35 U5740 8.8 ZN	SCHR.M12X1,25X35 U5740 8.8 ZN	TORN.M12X1,25X35 U5740 8.8 ZN
34	F01410076R	ROS.M12 13X 24X2,5 U6592 ZN	WASHER 12 13X 24X2,5 U6592 ZN	RONDEL. M12 13X24X2,5 U6592 ZN	SCHEIBE M12 13X24X2,5 U6592 ZN	ARAND.M12 13X 24X2,5 U6592 ZN
35	F01220047R	DADO M12X1,25 D980 8ZN	NUT M12X1,25 D980 8ZN	ECROU M12X1,25 D980 8 ZN	MUTTER M12X1,25 D980 8 ZN	TUERCA M12X1,25 D980 8 ZN

**TAV.140**



**ASTA CROMATA**



**KIT TRASF. da II A I CAT.**

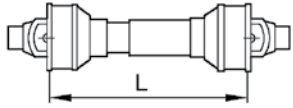

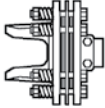
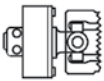

**KIT CAT I ED ASTA CROMATA  
CAT I KIT AND CHROME PLATED ROD**

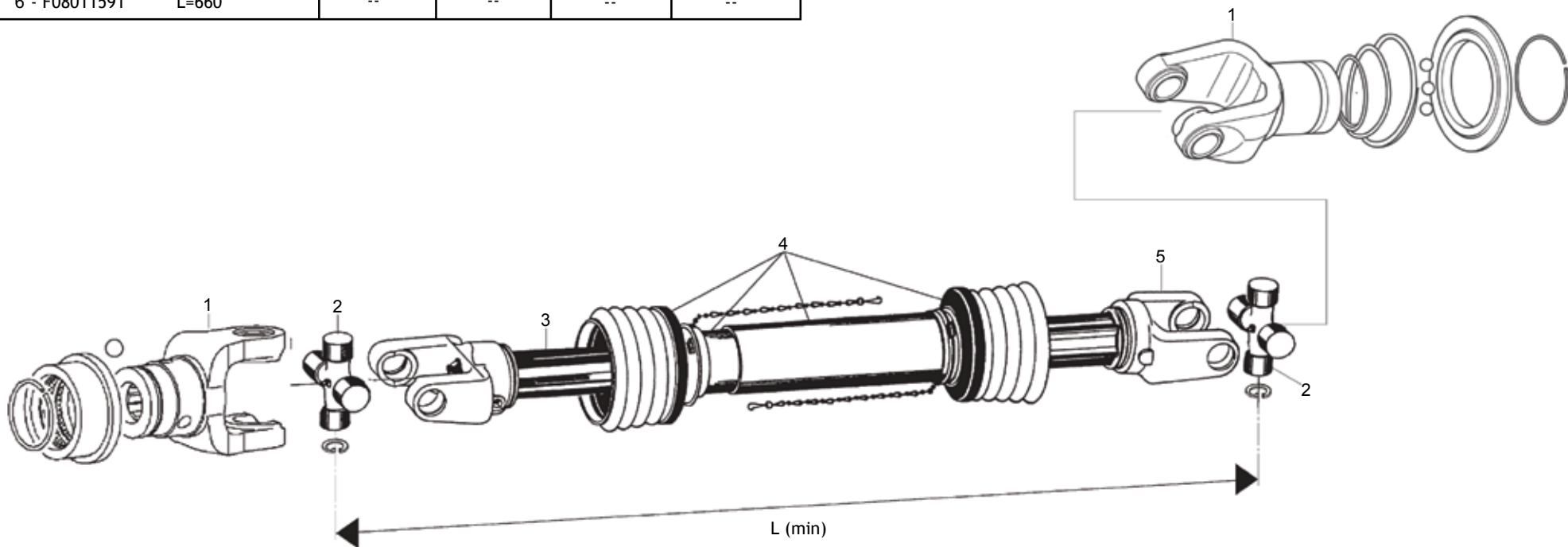
**TAV.140**

Pos.	Cod.	Descrizione	Description	Description	Benennung	Description
1	F01010158R	VITE M18X1,5X120 U5738 8.8ZN	SCR. M18X1,5X120 U5738 8.8ZN	VIS M18X1,5X120	SCHRAUBE M18X1,5X120	TORNILLO M18X1,5X120
2	F01220081R	DADO M18X1,5 D980 8ZN	NUT M18X1,5 D980 8ZN	ECROU AUTOBL. M18X1,5 980-V	SELBSTSP.MUTT. M18X1,5 980-V	DADO AUTOBL. M18X1,5 980-V
3	F01410135R	ROS.M22 23X 39X 3 U6592 ZN	WASHER M22 23X 39X 3 U6592 ZN	ROND. M22 23X 39X3 U6592 ZN	SCHEI. M22 23X 39X3 U6592 ZN	ARANDELLA M22 23X39X3 U6592 ZN
4	F20100035R	PERNO D19 L90 C43 TEST.D35 ZN	BOLT D19 L86 C43 ZN	BOULON D19 L86 C43	BOLZEN D19 L86 C43	PERNO D19 L86 C43
5	F20100115R	PERNO D22 L144 C40 TEST.D35 ZN	GASPARDO PIN 22X144 ZN	GROUPILLE GASPARDO 22X144 ZN	GASPARDO-STIFT 22X144 ZN	PASADOR GASPARDO 22X144 ZN
6	M33400568R	BIELLA	CONNECTING ROD	BIELLE	PLEUEL	BIELA
7	M40200515R	BOCCOLA UNIONE 3 P.	BUSH 3 POINT	BAGUE 3EME POINT	BUECHSE DREIPUNKT	BRUJULA 3 PUNTO
8	T24005721R	BOCCOLA D=57 D=71,6 L147	BUSHING D=57 D=71,6 L147	BOUCLE D=57 D=71,6 L147	BUECHSE D=57 D=71,6 L147	ARANDELA D=57 D=71,6 L147
9	F04150044R	BOCCOLA D=60 D55 L=60 AUTOLUB	BUSHING D=60 D55 L=60 AUTOLUB*	BOUCLE D=60 D55 L=60 AUTOLUB*	BUECHSE D=60 D55 L=60 AUTOLUB*	ARANDELA D=60 D55 L=60 AUTOLUB
10	T20009670R	ANELLO DI FERMO	LOCKRING	BAGUE DE BLOCAGE	FESTSTELLRING	OJO DE BLOQUE
11	F03010897R	RASCH. PW55 1G 55X65.00X7,00	SCRAPER PW55 1G 55X65.00X7	DECROTTOIR PW55 1G 55X65.00X7	ABSCHABER PW55 1G 55X65.00X7	RASPADOR PW55 1G 55X65.00X7
12	F02050237R	ANELLO E. DE 70X 2,5 U7435 C70	SEEGER RING D.70	BAGUE SEEGER D.70	SEEGERRING D.70	ANILLO SEEGER D.70
13	T24005717R	DISTANZIALE	SPACER	ENTRETOISE	DISTANZSTUECK	DISTANCIADOR
14	F01100048R	ING.M 8X1,25 7663A 9SMNPB28 Z	GREASE NIPPLE M8X1,25 U7663A	GRAISSEUR A BILLES M8X1,25	SCHMIERBUECHSE M8X1,25 7663A	ENG.M 8X1,25 7663A 9SMNPB28 Z
15	T24005720R	BOCCOLA	BUSHING	BOUCLE	BUECHSE	ARANDELA
16	F01010288R	VITE M12X1,25X35 U5740 8.8ZN	SCR. M12X1,25X35 U5740 8.8ZN	VIS M12X1,25X35 U5740 8.8 ZN	SCHR.M12X1,25X35 U5740 8.8 ZN	TORN.M12X1,25X35 U5740 8.8 ZN
17	T24155716R	ASTA SCORRIMENTO	SLIDING ROD	TIGE DE GLISSEMENT	GLEITSTANGE	BARRA DESLIZAMIENTO
18	T24215716R	ASTA SCOR.TO CROM. CR210	SLIDING BAR CR210			

**TAV.150**

## WALTERSCHEID - STANDARD

				
6 - F08011591 L=660	--	--	--	--





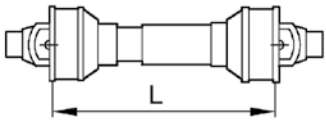
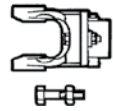
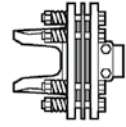
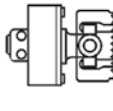
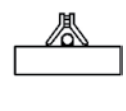
**CARDANO WALTERSCHEID  
WALTERSCHEID CARDAN SHAFT**

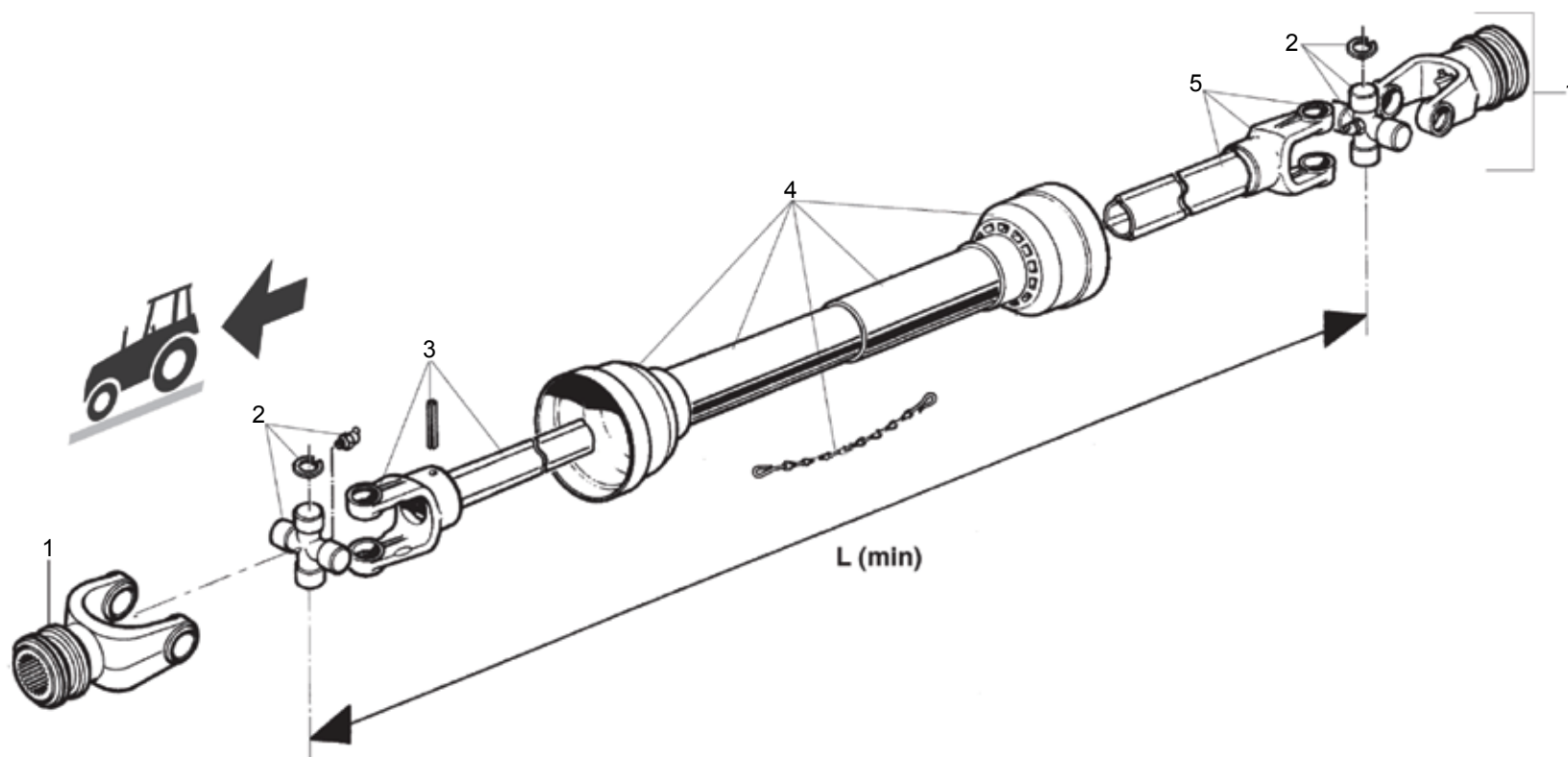
**TAV.150**

Pos.	Cod.	Descrizione	Description	Description	Benennung	Descripcion
1	F08010457R	FORCELLA COMPLETA DI PULSANTE	LINKAGE FORK	FOURCHE ATTELAGE	GABELSTUECK	HORQUILLA ATAQUE
2	F08010683R	CROCIERA COMPLETA W2300	SPIDER ASSY	CROISIERE COMPL.	GELENKKREUZ KOMPL.	CRUCETA COMPL.
3	F08010814R	FORCELLA TUBO PROFILATO INT.	YOKE WITH EXTERNAL PIPE		GABEL	
4	F08010851R	PROTEZIONE COMPLETA	PROTECTION ASSY	PROTECTION COMPL.	KOMPL. SCHUTZ	PROTECCION COMPL.
5	F08010544R	FORCELLA CON TUBO ESTERNO SALD	YOKE WITH EXTER. WELDING PIPE		GABEL	
6	F08011591R	CARD.GKN 180356	UNIVERSAL PTO SHAFT GKN 180356			

**TAV.160**

## BONDIOLI - OPTIONAL

				
6 - F08011822 L=710	--	--	--	--



**CARDANO BONDIOLI  
BONDIOLI CARDAN SHAFT**

**TAV.160**

Pos.	Cod.	Descrizione	Description	Description	Benennung	Description
1	F08010471R	FORCELLA ATTACCO	LINKAGE FORK	FOURCHE ATTELAGE	GABELSTUECK	HORQUILLA ATAQUE
2	F08010685R	CROCIERA COMPLETA	SPIDER ASSY	CROISIERE COMPL.	GELENKKREUZ KOMPL.	CRUCETA COMPLETA
3	F08010559R	FORCELLA TUBO INTERNO	FORK WITH INTERNAL PIPE	FOURCHE AVEC TUBE INTERIEUR	GABELST. INNENROHR	HORQUILLA TUBO INTERIOR
4	F08010834R	PROT. COMPLETA BOS8	PROTECTION ASSY	PROTECTION COMPL.	KOMPL. SCHUTZ	PROTECCION COMPL.
5	F08010489R	08006021 FORCELLA TUBO EST.	FORK WITH EXTERNAL PIPE	FOURCHE AVEC TUBE EXT.	GABELST. AUSSENROHR	HORQUILLA TUBO EXT.
6	F08011657R	ALBERO CARDANICO COMPLETO	COMPLETE PTO SHAFT			

**USATE SEMPRE RICAMBI ORIGINALI  
ALWAYS USE ORIGINAL SPARE PARTS  
IMMER DIE ORIGINAL-ERSATZTEILE VERWENDEN  
EMPLOYEZ TOUJOURS LES PIECES DE RECHANGE ORIGINALES  
UTILIZAR SIEMPRE REPUESTOS ORIGINALES**



**Servizio Assistenza Tecnica - After Sales Service  
Servizio Ricambi - Spare Parts Service**



**maschio.com**

DEALER:



**MASCHIO GASPARDO SpA**  
**Registered Office and Production Plant**  
Via Marcello, 73 - 35011 Campodarsego (Padova) - Italy  
Tel. +39 049 9289810  
Fax +39 049 9289900  
info@maschio.com  
www.maschionet.com

**MASCHIO DEUTSCHLAND GMBH**  
Äußere Nürnberger Straße 5  
D - 91177 Thalmässing - Deutschland  
Tel. +49 (0) 9173 79000  
Fax +49 (0) 9173 790079  
dialog@maschio.de  
www.maschionet.de

**MASCHIO FRANCE Sarl**  
1 rue Denis Papin ZA  
F - 45240 La Ferte St. Aubin  
France  
Tel. +33 (0) 2.38.64.12.12  
Fax +33 (0) 2.38.64.66.79  
info@maschio.fr

**000 МАСКИО-ГАСПАРДО РУССИЯ**  
04130, Россия,  
Волгоградская область,  
г. Волжский, ул. Пушкина, 117 «б».  
Тел.: +7 8443 203100  
факс: +7 8443 203101  
e-mail: info@maschio.ru

**MASCHIO GASPARDO SpA**  
**Production Plant**  
Via Mussons, 7 - 33075 Morsano al Tagliamento (PN) - Italy  
Tel. +39 0434 695410  
Fax +39 0434 695425  
info@gaspardo.it

**MASCHIO GASPARDO NORTH AMERICA Inc.**  
112 3rd Avenue East  
DeWitt - IA 52742  
Ph. +1 563 6596400  
Fax +1 563 6596404  
info@maschio.us

**MASCHIO-GASPARDO ROMANIA S.R.L.**  
Strada Înfrăţirii, F.N.  
315100 Chisineu-Cris (Arad) -România  
Tel. +40 257 307030  
Fax +40 257 307040  
info@maschio.ro

**MASCHIO IBERICA S.L.**  
**MASCHIO-GASPARDO POLAND**  
**MASCHIO-GASPARDO UCRAINA**  
**GASPARDO-MASCHIO TURCHIA**  
**MASCHIO-GASPARDO CINA**  
**MASCHIO-GASPARDO INDIA**