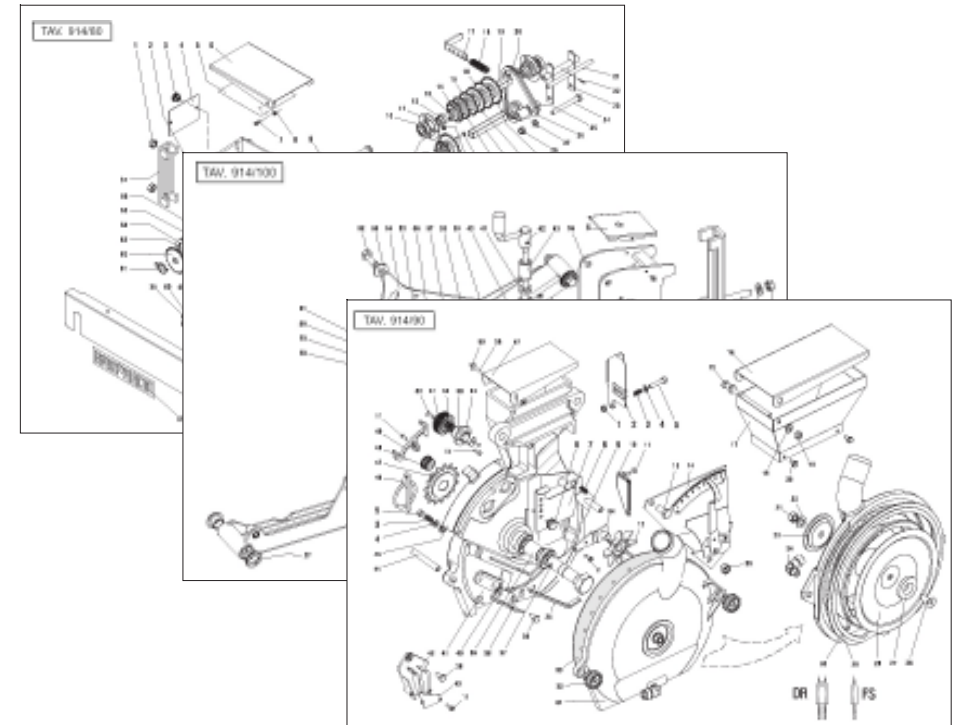


GASPARDO

MASCHIO GASPARDO S.p.A.

OLIMPIA ORIENTTA-C



Cod: G19530932 2011-08

- *) Valido per Paesi UE
- *) Valid for EU member countries
- *) Valable dans les Pays UE
- *) Gilt für EU-Mitgliedsländer
- *) Válido para Países UE

- IT** PARTI DI RICAMBIO
- EN** SPARE PARTS
- DE** ERSATZTEILE
- FR** PIÈCES DÉTACHÉES
- ES** PIEZAS DE REPUESTO

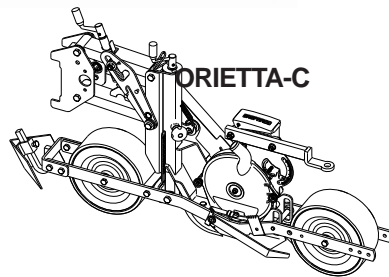
ITALIANO	ENGLISH	DEUTSCH	FRANÇAIS	ESPAÑOL
PARTI DI RICAMBIO	SPARE PARTS	ERSATZTEILE	PIECES DÉTACHÉES	RESPUESTOS
<p>Le ordinazioni delle parti di ricambio vanno fatte presso i nostri concessionari di zona e devono essere sempre corredate dalle seguenti indicazioni:</p> <ul style="list-style-type: none"> - Tipo, modello e numero di matricola dell'attrezzatura. Tali dati sono stampigliati nell'apposita targhetta di cui è dotata ogni attrezzatura. - Numero di codice della parte richiesta rilevabile dal catalogo ricambi. - Descrizione del particolare e quantità richiesta. - Numero della tavola. - Mezzo di trasporto. Nel caso questa voce non sia specificata, la Ditta Costruttrice, pur dedicando a questo servizio una particolare cura, non risponde di eventuali ritardi di spedizione dovuti a cause di forza maggiore. Le spese di trasporto si intendono sempre a carico del destinatario. La merce viaggia a rischio e pericolo del committente anche se venduta franco destino. <p>NOTA: Il termine (Dx) Destro o (Sx) Sinistro della macchina o di parti di essa, è inteso guardando la macchina dalla parte posteriore. Le eccezioni saranno indicate.</p>	<p><i>Orders must be transmitted through our area dealers and should always include the following indications:</i></p> <ul style="list-style-type: none"> - Type, model and serial number of the machine. <i>These data are punched on the data plate with which every implement is equipped.</i> - Code number of the required spare part. <i>This will be found in the spare parts catalogue.</i> - Description of the part and required quantity. - Table number. - Means of dispatch. <i>If this item is not indicated, the Manufacturer, while dedicating particular care to this service, shall not be held responsible for delays in delivery caused by cases of force majeure. Transport expenses shall always be at the consignee's charge. The goods travel at the purchaser's risk and peril even when sold ex destination.</i> <p>NOTE: <i>The symbols (Dx) right and (Sx) left, concerning the machine or single parts of it, are referred, as in the figure, to a rear view of them. Exceptions will be indicated.</i></p>	<p>Die Bestellungen müssen bei unseren Gebietshändlern aufgegeben werden. Bei der Bestellung sind stets die folgenden Angaben zu machen:</p> <ul style="list-style-type: none"> - Typ, Modell und Serien-Nummer des Geräts. Diese Daten stehen auf dem Typenschild, mit dem jedes Gerät versehen ist. - Artikel Nr. der erforderlichen Ersatzteile. Diese stehen im Ersatzteil-Katalog. - Beschreibung des Ersatzteils und die erforderliche Stückzahl. - Tafelnummer. - Versandmittel. Wenn dieser Punkt nicht spezifiziert wird, haftet die Herstellerfirma nicht für etwaigen Lieferverzug aufgrund höherer Gewalt, auch wenn er diesen Service besonders aufmerksam abwickelt. Die Frachtkosten gehen dagegen immer zu Lasten des Empfängers. Die Ware reist auf Gefahr und Risiko des Auftraggebers, auch wenn frei Haus Verkauft vereinbart worden ist. <p>N.B.: Die Merkzeichen (Dx) rechts und (Sx) links betreffen eine rückwärtige Aussicht der Maschine oder Teile von ihr (siehe Bild). Ausnahmen werden gezeigt.</p>	<p><i>Les ordres doivent être effectués auprès de nos concessionaires de zone en précisant les indications suivantes:</i></p> <ul style="list-style-type: none"> - Type, modèle et numéro de série de la machine. <i>Ces données sont gravées sur la plaque d'identification de chaque outil.</i> - Numéro de code de la pièce détachée indiqué sur le catalogue des pièces détachées. - Description de la pièce et quantité requise. - Numéro de plan. - Moyen d'expédition. <i>Si cette rubrique n'est pas indiquée, le Constructeur, bien que soucieux de ce service, ne répond pas des retards d'expédition pour des causes de force majeure. Les frais de transport sont toujours à la charge du destinataire. La marchandise voyage aux risques et périls de l'acheteur même si vendue franco de port.</i> <p>N.B.: <i>Les références (Dx) droit et (Sx) gauche de la machine ou des parties de la même, est entendue, comme de la figure, en regardant la machine de derriere dans le sens de marche.</i></p>	<p>Los pedidos han de efectuarse en nuestros concesionarios de zona y deben incluir siempre las siguientes indicaciones:</p> <ul style="list-style-type: none"> - Tipo, modelo y número de matrícula del equipo. Dichos datos están impresos en la relativa placa presente en el equipo. - Número de código de la parte requerida presente en el catálogo respuestos. - Descripción de la pieza y cantidad requerida. - Numero de ilustración. - Medio de transporte. En caso que este ítem no esté especificado, el Fabricante, aún prestando la debidas consideraciones para este aspecto, no responde por eventuales retardos de env'o debidos a causas de fuerza mayor. Los gastos de transporte se consideran siempre a cargo del destinatario. La mercadería viaja bajo riesgo y peligro del comprador, incluso cuando se vende franco destino. <p>N.B.: La refencia (Dx) derecha o (Sx) izquierda de la máquina o de sus componentes, se entiende, como en la figura, mirando la máquina por la parte trasera. Se indicarán las excepciones.</p>



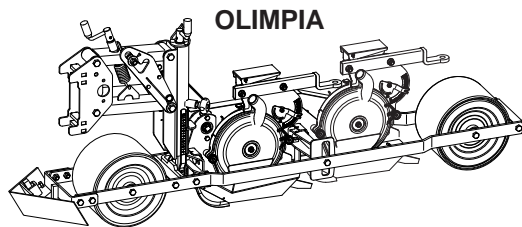
(1)



(2)

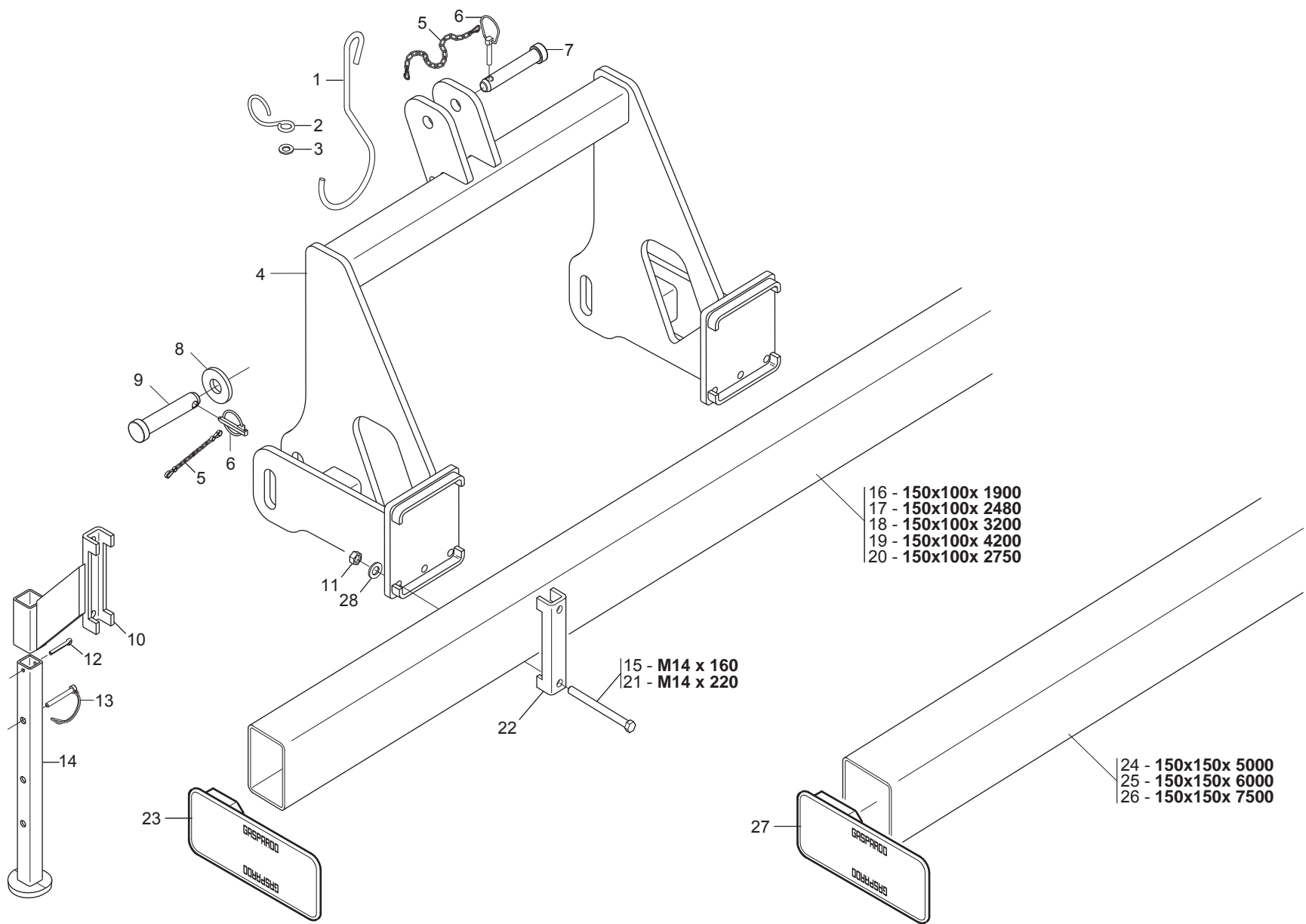


(3)



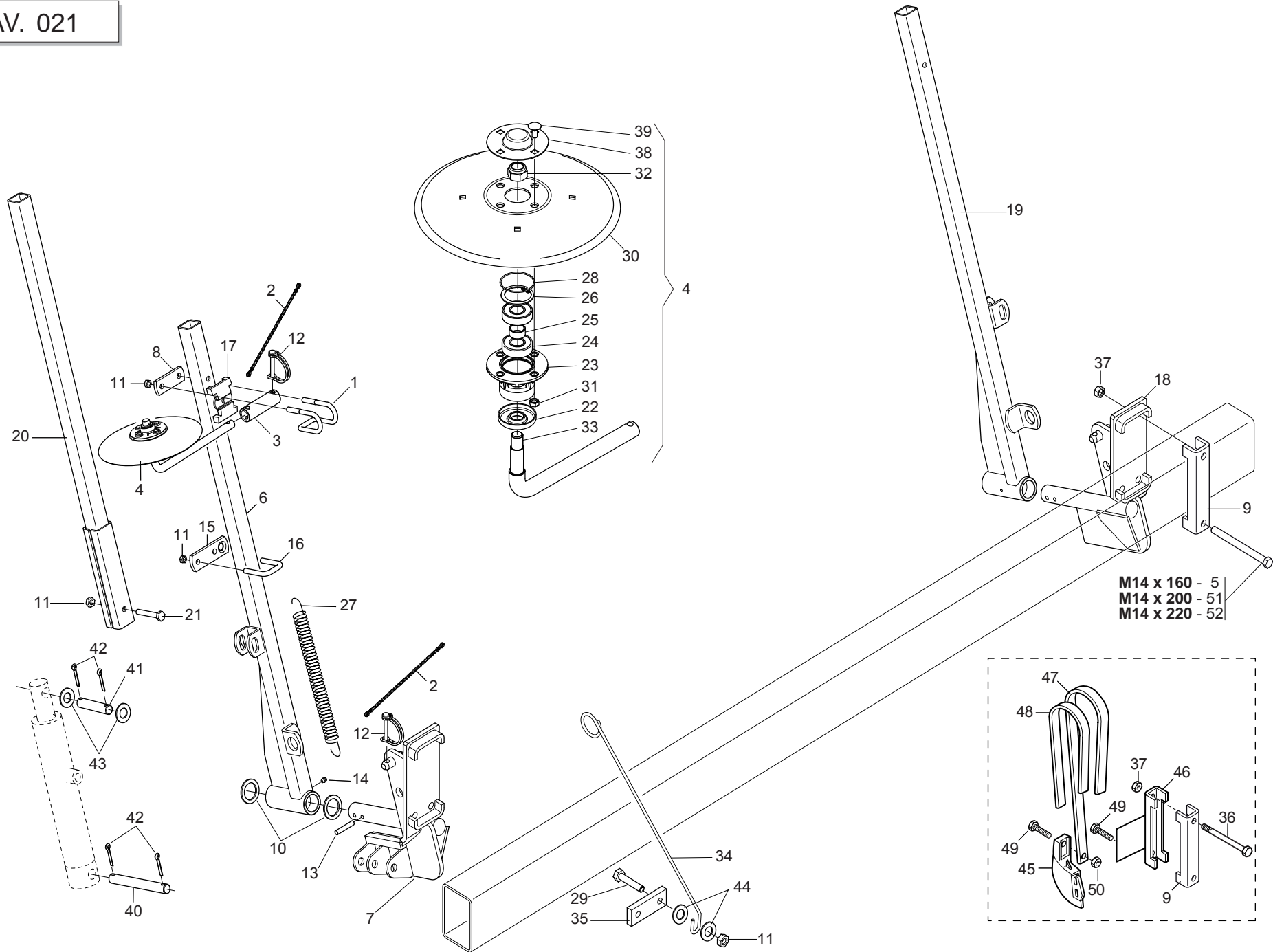
(4)

Nr. Tav.	Descrizione - Description	Pag.
(1) {	TAV. 011 Telaio ed attacco 3 punti	4
	TAV. 021 Segnafile	6
	TAV. 032 Segnafile rinforzato	8
	TAV. 042 Comando segnafile oleodinamico	10
	TAV. 051 Comando segnafile meccanico	12
(2) {	TAV. 271 Telaio pieghevole	14
	TAV. 281 Impianto telaio pieghevole	16
	TAV. 291 Segnafile per telaio pieghevole	18
	TAV. 311 Impianto segnafile per telaio pieghevole	20
(3) {	TAV. 091 Distributore semi	22
	TAV. 101 Telaio elemeto	24
	TAV. 112 Falcioni assolcatori	28
	TAV. 122 Bilanciere e ruote di compressione	30
	TAV. 132 Ruotini di compressione	32
(4) {	VARIANTI OLIMPIA	
	TAV. 231 Elemento seminatore «N»	34
	TAV. 330 Elemento seminatore «W»	38
TAV. 242 Ruote e ruotini di compressione	40	
TAV. 062 Depressore	42	
TAV. 071 Impianto aspirazione e soffiaggio	46	
TAV. 081 Ruota di trasmissione	48	
TAV. 141 Supporti serbatoi spandiconcime plastica	52	
TAV. 151 Serbatoi spandiconcime plastica	54	
TAV. 181 Microgranulatore	58	
TAV. 191 Trasmissione spandiconcime e microgranulatore	62	
TAV. 201 Concimazione pneumatica	64	
TAV. 210 Speedy set	66	
TAV. 221 Rullo anteriore	68	
TAV. 251 Accessori	70	
TAV. 321 Cardani	72	
TAV. 260 Dischi di semina	74	



TELAIO ED ATTACCO TERZO PUNTO
TAV. 011

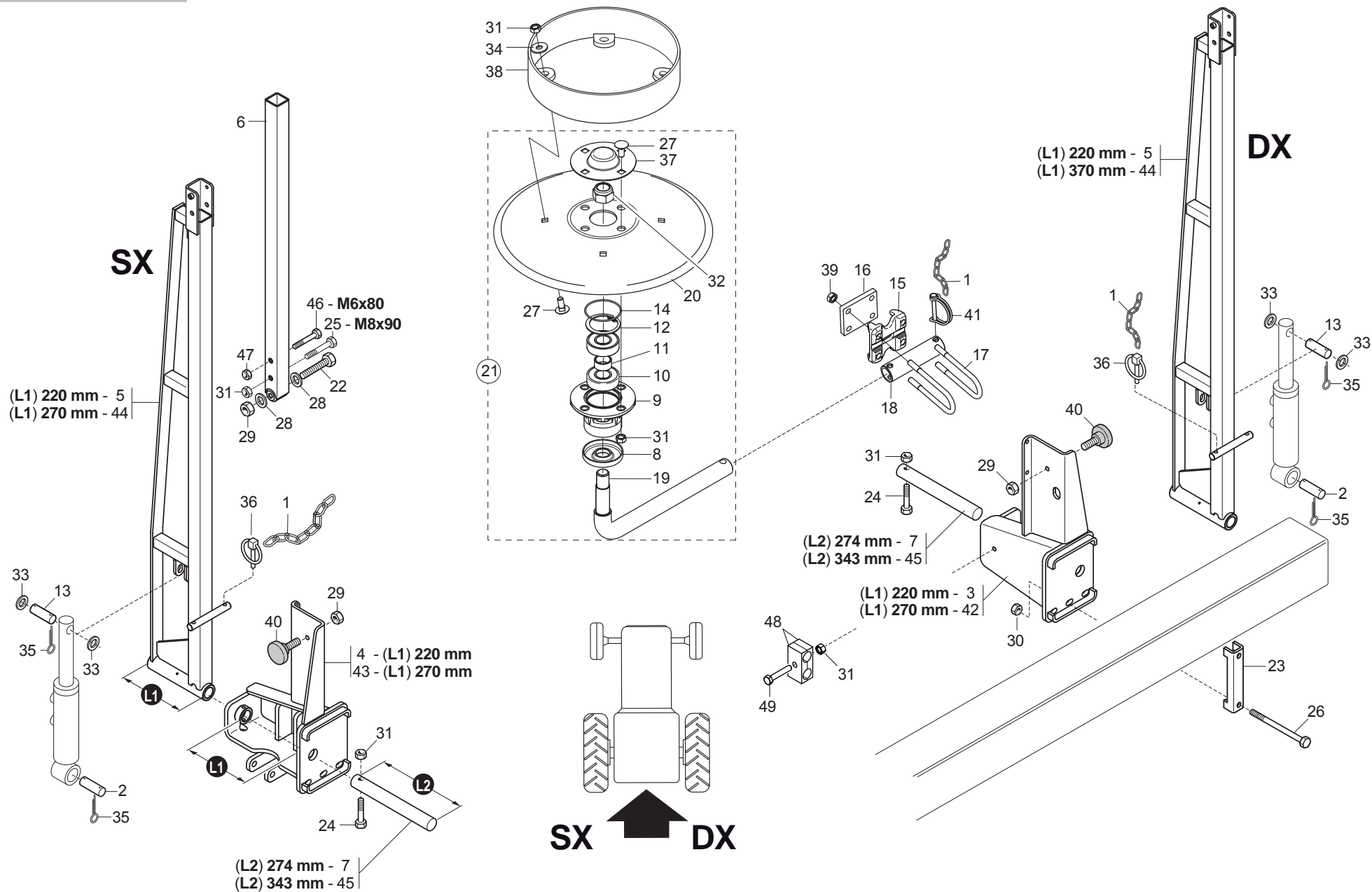
Pos.	Cod.	Descrizione	Description	Description	Benennung	Descripcion
1	F20120400	GANCIO SOSTEGNO CARDANO	SHAFT HOOK SUPPORT	SUPPORT CARDAN	GELENKWELLE - HACKEN	SOPORTE CARDAN
2	G65336004	MOLLA SPEC.ZN AGG.SEMINAT. SP	SPEC SPRING- ZN ADD. SEEDER SP	RESSORT SPEC. ZN ATTELAGE SEME	SPEZIALFEDER ZN SZELEM. KUPPL.	MUELLE ESPEC. ZN CONEX. SEMBRA
3	F01410088	ROS.M14 15X 28X2,5 U6592 ZN	WAS.M14 15X 28X2,5 U6592 ZB	RON.M14 15X 28X2,5 U6592 ZB	SCH.M14 15X 28X2,5 U6592 ZB	ARA.M14 15X 28X2,5 U6592 ZB
4	G16610462	ASS.TERZO PUNTO 2 CATEGORIA				
5	G13812311	CATENELLA CON MOSCHETTONE	CHAIN WITH SPRING CATCH	CHAINETTE AVEC MOUSQUETON	KETTE MIT KARABINERHAKEN	CADENA CON GANCHO
6	F02200507	SPINA SCATTO D. 9 B/83 ZN	SNAP PIN D9 B/83 ZN	FICHE A DETENTE D9 B/83 ZN	EINRASTSTIFT D9 B/83 ZN	CLAVIJA DE MUELLE D9 B/83 ZN
7	F20100133	PERNO D25 L122 C43 ZN	PIN D25 L122 C43 ZN	BOULON D25 L122 C43 ZN	BOLZEN D25 L122 C43 ZN	PERNO D25 L122 C43 ZN
8	G20970120	RONDELLA 70X8X28,5	WASHER 70X8X28-5	RONDELLE 70X8X28-5	UNTERLEGSSCHEIBE 70X8X28-5	ARANDELA 70X8X28-5
9	F20100136	>PERNO D28 L109 C43 ZN	BOLT D28 L109 C43 ZN	BOULON D28 L109 C43 ZN	BOLTZEN D28 L109 C43 ZN	PERNO D28 L109 C43 ZN
10	G15112711	SUPPORTO PUNTELLO	PROP SUPPORT	SUPPORT ETRESILLON	STsTZLAGER	STsTZLAGER
11	F01200306	DADO M14X 2 U5588 6.8 ZN	NUTM14X2	ECROU M14X2	MUTTER M14X2	DADO M14X2
12	F02200246	COPIGLIA 6X 45 U1336 ZN	PIN 6 X45 U1336 ZN	GOUPILLE 6 X45 U1336 ZN	SPLINT 6 X45 U1336 ZN	CLAVIJA 6 X45 U1336 ZN
13	F02200584	SPINA SICUR. D. 12X70 ZN	PIN D12 L70 ZN	FICHE D12 L70 ZN	STIFT D12 L70 ZN	CLAVIJA D12 L70 ZN
14	G10710032	PUNTELLO	PROP	ETRESILLON	STsTZE	PUNTAL
15	F01020225	VITE M14X2X160 U5737 8.8 BR	SCREW M 14 X160 5737 8.G	VIS M 14 X160 5737 8.G	SCHRAUBE M 14 X160 5737 8.G	TORNILLO M 14 X160 5737 8.G
16	G16610040	TUBO RET.150X100X1900	RECTANGULAR PIPE 150X100X1900	TUBE RECTANGULAIRE 150X100X190	RECHTECK.ROHR150X100X1900	TUBO RECT.150X100X1900
17	G16610050	TUBO R.150X100X2480	RECTANGULAR PIPE 150X100X2480	TUBE RECT.150X100X6X2480	R. ROHR150X100X6X2480	TUBO RECT.150X100X6X2480
18	G14217400	TUBO TELAIO 150X100X3200	FRAME PIPE 150X100X3200	TUBE BATI 150X100X3200	ROHR RAHMEN 150X100X3200	TUBO BASTIDOR 150X100X3200
19	G16610070	TUBO R.150X100X4200	RECTANGULAR PIPE 150X100X4200	TUBE RECT.150X100X4200	R. ROHR150X100X4200	TUBO RECT.150X100X4200
20	G16610080	TUBO R.150X100X6X2750	RECTANGULAR PIPE 150X100X6X275	TUBE RECT.150X100X6X2750	R. ROHR150X100X6X2750	TUBO RECT.150X100X6X2750
21	F01020236	VITE M14X2X220 U5737 8.8 BR	SCREW M14X2X220 U5737 8.8 BR	VIS M14X2X220 U5737 8.8 BR	SCHRAUBE M14X2X220 U5737 8.8	TORNILLO M14X2X220 U5737 8.8
22	G15110091	SCONTRO A U	STRIKER	BRIDE 150 MM	ANSCHLAG	ELEMENTO DE EMPALME
23	G16610110	TAPPO TELAIO 150X100 COMPL.	COMPL. FRAME PLUG 150X100 B319	BOUCHON CH-SSIS 150X100 COMPL.	PFROPFEN RAHMEN 150X100 KOMPL.	TAPÉN BASTIDOR 150X100 COMPL.
24	G15210690	TUBO TELAIO FISSO 150X5000	FIXED FRAME PIPE 150X5000	PIPE BATI FIXE 150X5000	ROHR FIXER RAHMEN 150X5000	TUBO BASTIDOR FIJO 150X5000
25	G15210740	TUBO TELAIO FISSO 150X6000	FIXED FRAME PIPE 150X6000	TUBE BATI FIXE 150X6000	ROHR FIXER RAHMEN 150X6000	TUBO BASTIDOR FIJO 150X6000
26	G15211790	TUBO TELAIO FISSO L.7500 Q.150	FIXED FRAME PIPE L.7500 Q.150	TUBE BATI FIXE L.7500 Q.150	ROHR FIXER RAHMEN L.7500 Q.150	TUBO BASTIDOR FIJO L.7500 Q150
27	G19003000	TAPPO PER TELAIO 150	CAP FOR FRAME 150	BOUCHON POUR BATI 150	PFROPFEN FOR RAHMEN 150	TAPON PARA BASTIDOR 150
28	G20970142	RONDELLA 32X4X15,5	WASHER 32X4X15-5	RONDELLE 32X4X15-5	UNTERLEGSSCHEIBE 32X4X15-5	ARANDELA 32X4X15-5



SEGNAFILE

TAV. 021

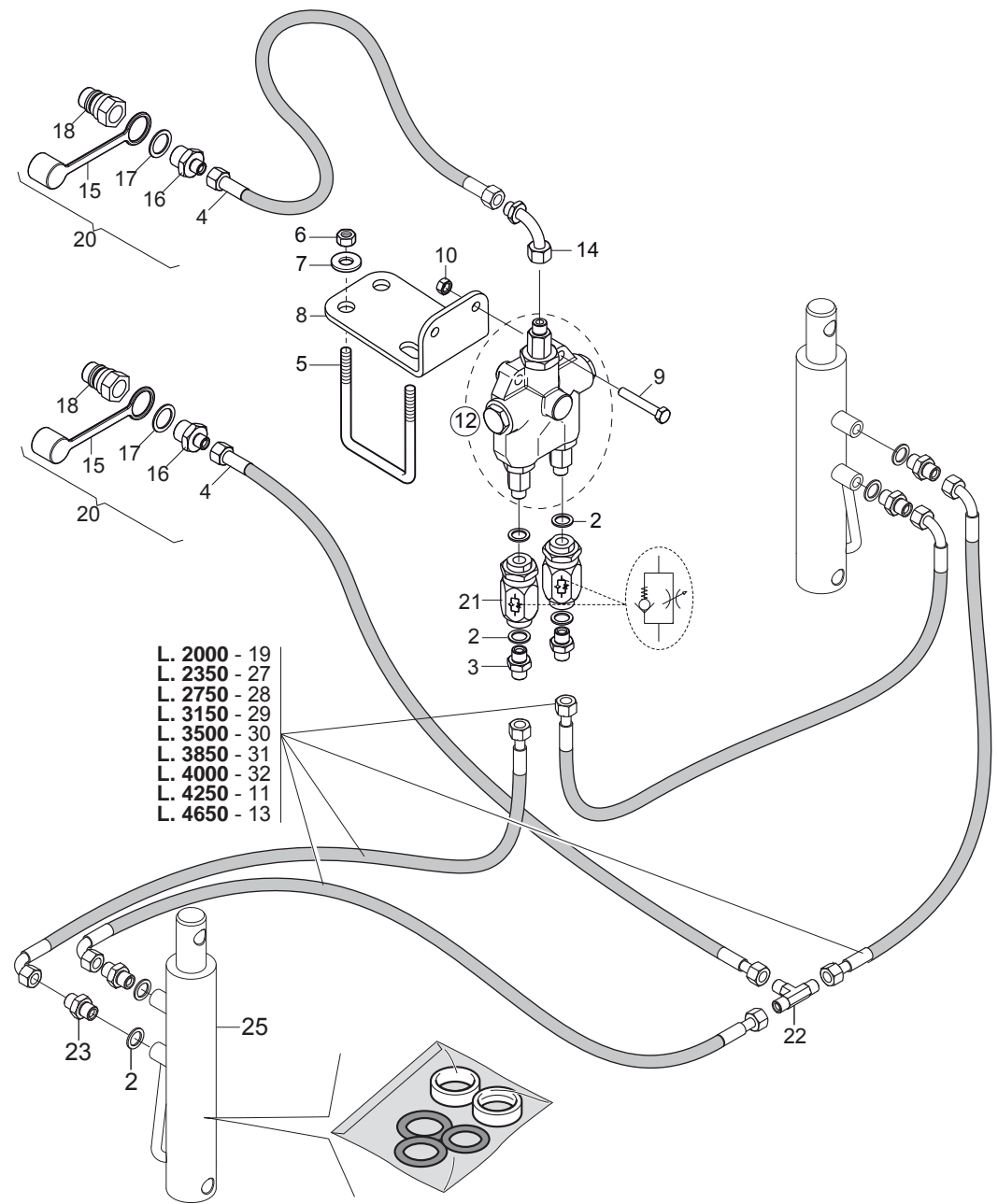
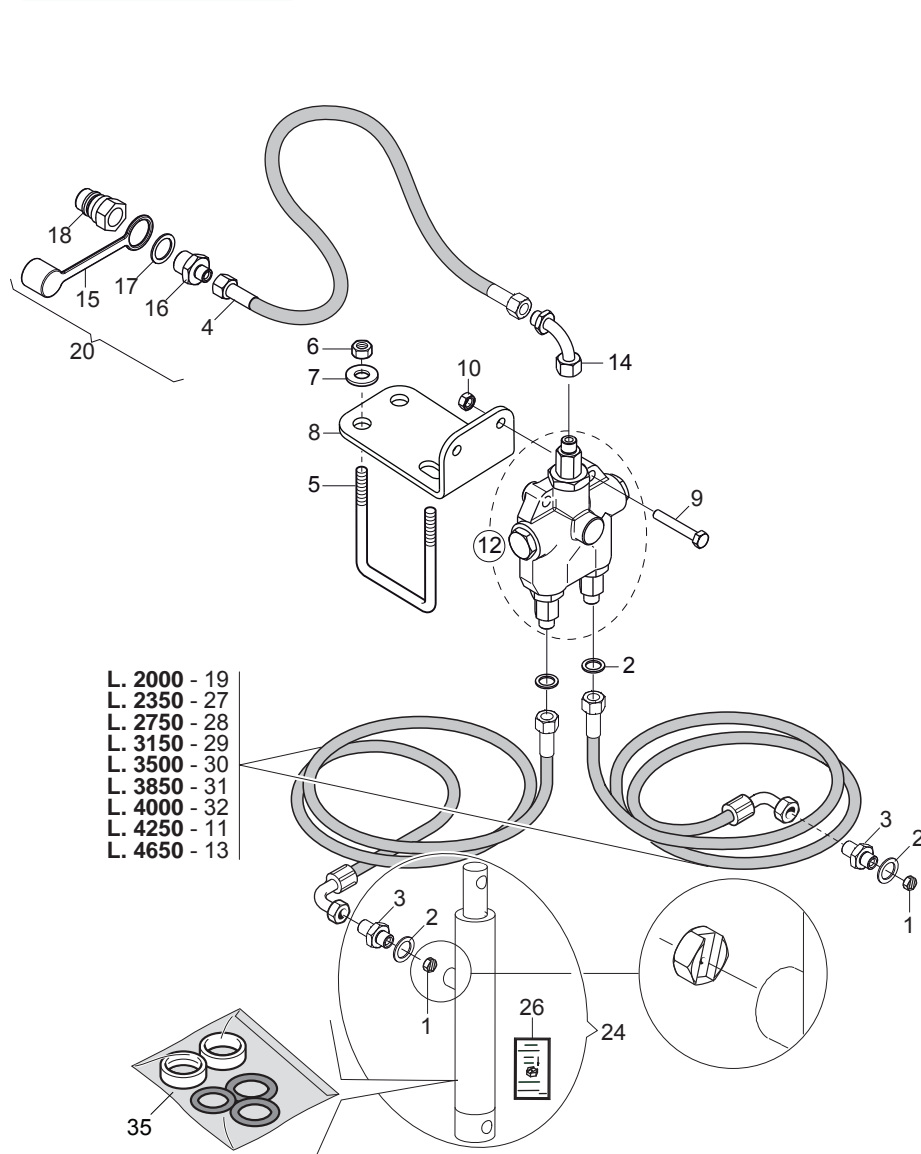
Pos.	Cod.	Descrizione	Description	Description	Benennung	Description
1	G16610230	CAVALLOTTO MANICOTTO DISCO	DISK SLEEVE U BOLT	ETRIER MANCHON DISQUE	_BERBR_KUNUNG MUFFE SCHEIBE	ABRAZADERA MANGUITO DE DISCO
2	G13812311	CATENELLA CON MOSCHETTONE	CHAIN WITH SPRING CATCH	CHAINETTE AVEC MOUSQUETON	KETTE MIT KARABINERHAKEN	CADENA CON GANCHO
3	G17111290	MANICOTTO DISCO	DISK SLEEVE U BOLT	MANCHON DISQUE	SCHEIBENMUFFE	MANGUITO DISCO
4	G16610200	DISCO D.320 COMPL	DISK D.320 COMPL	DISQUE D.320 COMPLET	SCHEIBE D.320 KOMP	DISCO D.320 COM
5	F01020225	VITE M14X2X160 U5737 8.8 BR	SCREW M 14 X160 5737 8.G	VIS M 14 X160 5737 8.G	SCHRAUBE M 14 X160 5737 8.G	TORNILLO M 14 X160 5737 8.G
6	G15412691	BRACCIO SEGNAFILE SX	LH FOLDING ARM	BRAS PLIANT GCH.	KLAPPBARER ARM LI.	BRAZO PLEGABLE IZQ.
7	G15412682	ASS.SUPP.SEGNAFILE SX				
8	G23440198	SCONTRIO ATTACCO BRACCIO HL/2	STRIKER PLATE ARM ATTACH. HL/2	BUTEE FIXATION BRAS HL/2	ARMKUPPLUNGSANSCHLAG HL/2	ELEMENTO DE EMPALME CONEXIN BC
9	G15110091	SCONTRIO A U	STRIKER	BRIDE 150 MM	ANSCHLAG	ELEMENTO DE EMPALME
10	G18701600	RONDELLA 35,5 X50 X3 ZN	WASHER 35.5 X 50 X 3- GALVANIZ	RONDELLE 35-5 X50 X3 ZN	UNTERLEGSSCHEIBE 35-5 X50 X3	ARANDELA 35-5 X50 X3 ZN
11	F01200270	DADO M10X 1,5 U5588 6.8 ZN	NUT M10X 1,5 U5588 6.8 ZN	ECROU M10X 1,5 U5588 6.8 ZN	MUTTER M10X 1,5 U5588 6.8 ZN	TUERCA M10X 1,5 U5588 6.8 ZN
12	F02100312	SPINA DI SICUREZZA D.8X45 ZN	SAFETY PIN D.8X45 ZN	FICHE EL.DE SECURITE D.8X45 ZN	SCHERSTIFT D.8X45 ZN	CLAVIJA DE SEGURIDAD D 8X45 ZN
13	F02100146	SPINA E.P. 8X 55 U6873 C70 BR	PIN EL. .8 X55 DIN 1481	FICHE EL.8 X55 DIN 1481	SPANNSTIFT 8 X55 DIN 1481	CLAVIJA EL.8 X55 DIN 1481
14	F01100011	ING.M 6X1 7663-A 95MNPB28 ZN	GREASE NIPPLE M6X1 7663-A ZN	GRAISS. A BILLE M6X1 7663A ZN	SCHMIERBUECHE M6X1 7663-A ZN	ENGRAS. DE ESFERAS M6X1 7663-A
15	G15412810	ATTACCO FUNE SEGNAFILE	ROW MARKER ROPE LINKAGE	FIXATION CABLE TRACEUR	SEILKUPPLUNG SPURANZEIGER	CONEXIÓN CABLE MARCADOR DE FIL
16	F20110705	CAV.Q.M10X 1,5X 30 51X 62 ZN	U-BOLT GALVAN	CAVALIER ZN	BsGELBOLZEN ZN	PERNO EN U ZN
17	G19203740	ELEMENTO FISSAGGIO GAMBO ZN.	GALVAN. SHANK FASTENING ELEMEN	ELEMENT FIXATION TIGES ZN	BEFESTIGUNGSELEMENT SCHZCHTE Z	ELEMENTO SUJECIN VµSTAGOS ZN
18	G15412852	ASS.SUPP.SEGNAFILE DX				
19	G15412861	BRACCIO SEGNAFILE DX	RH FOLDING ARM	BRAS PLIANT DRT.	KLAPPBARER ARM RE.	BRAZO PLEGABLE DER.
20	G15412780	PROLUNGA BRACCIO SEGNAFILE	ROWMARKER EXTENSION	RALLONGE TRACEUR SOL.	VERLZNGERUNG SPURREISSER	PROLONG. MARC. DE FILAS
21	F01020122	VITE M10X1,5X70 U5737 8.8 ZN	SCREW M10X1,5X 70 U5737 8.8 ZN	VIS 10X 1,5X 70 U5737 8.8 ZN	SCHR.10X 1,5X 70 U5737 8.8 ZN	TORN.10X 1,5X 70 U5737 8.8 ZN
22	G16610430	FONDELLO ZN.	BOTTOM ZN.			
23	G16610160	SUPP.CUSCINETTI DISCO SEGN.ZN.	GALVAN. ROWMARKER DISK BEARING	SUPPORT ROULEMENTS DISQUE TRAC	SCHEIBENLAGERHALTERUNG	SOPORTE COJINETE DE DISCO MARC
24	F04010156	CUSC.d20 D47 B14 6204 2RSH	BEARING d20 D47 B14 6204 2RSH			
25	G18801270	BOCCOLA 21 X25 X12 ZN				
26	F02050370	ANELLO E. DI 47X1,75 U7437 C70	SEEGER RING 47X 1,75 U7437 C70	SEEGER E. 47X 1,75 U7437 C70	SEEGERING E. 47X1,75 U7437 C70	ANILLO E. 47X 1,75 U7437 C70
27	G65337004	MOLLA TRAZ.SOLLEV. FU	TRACTION SPRING LIFT. FU	RESSORT TRACT. LEVAGE FU	ZUGFEDER HEBUNG FU	MUELLE TRAC. LEVDEL. FU
28	F03010576	ANELLO OR 50,52X1,78 NBR	GASKET OR 50,52X1,78 NBR	BAGUE OR 50,52X1,78 NBR	RING OR 50,52X1,78 NBR	MUELLE OR 50,52X1,78 NBR
29	F01020476	VITE M10X1,5X30 U5739 8.8 ZN	SCREW M10X1,5 X 30 5739 8.8 ZN	VIS M10X1,5 X 30 5739 8.8 ZN	SCHRA. M10X1,5X 30 5739 8.8 ZN	TORN. M10X1,5 X 30 5739 8.8 ZN
30	G16610170	DISCO SEGNAFILE D.320	ROW MARKER DISK D.320	DISQUE TRACEUR D320	SPURREISSERSSCHEIBE D. 320	DISCO MARCADOR DE FILAS O 320
31	F01200244	DADO M 8X1,25 U5588 6.8 ZN	NUT M8 X1,25 U5588 6.8 ZN	ECROU M8 X1,25 U5588 6.8 ZN	MUTTER M8 X1,25 U5588 6.8 ZN	TUERCA M8 X1,25 U5588 6.8 ZN
32	F01230098	DADO M18X 2,5 D982 8 ZN	NUT M18X 2,5 D982 8 ZN	ECROU M18X 2,5 D982 8 ZN	MUTTER M18X 2,5 D982 8 ZN	TUERCA M18X 2,5 D982 8 ZN
33	G16610180	PERNO REGGIDISCO SEGNAF.	ROWMAKER DISC-HOLDER PIN	PIVOT PORTE-DISQUE TRACEUR	SCHEIBENTRAGBOLZEN	PERNO SOPORTE DISCO MARCAFILA
34	G18902260	GUIDACORDA ZN MT				
35	G15470810	SUPPORTO GUIDACORDA SP	ROPE GUIDE SUPPORT SP	SUPPORT GUIDE-CORDE SP	HALTERUNG SEILFSHRUNG SP	SOPORTE GUIACUERDA SP
36	F01020236	VITE M14X2X220 U5737 8.8 BR	SCREW M14X2X220 U5737 8.8 BR	VIS M14X2X220 U5737 8.8 BR	SCHRAUBE M14X2X220 U5737 8.8	TORNILLO M14X2X220 U5737 8.8
37	F01200306	DADO M14X 2 U5588 6.8 ZN	NUT M14X2	ECROU M14X2	MUTTER M14X2	DADO M14X2
38	G16610190	CHIUSURA CUSCINETTO ZN				
39	F01060040	VITE M8X1,25X20 U5732 4.6 ZG	SCREW M8X1,25X20 U5732 4.6 ZN	VIS M8X1,25X20 U5732 4.6 ZN	SCHRA. M8X1,25X20 U5732 4.6 ZN	TORN. M8X1,25X20 U5732 4.6 ZN
40	G15413020	SPINA 15X120 ZN	GALVANIZED PIN 15X120	GOUPILLE 15X120 ZN	STIFT 15X120 ZN	CLAVIJA 15X120 ZN
41	G15413010	SPINA 15X62 ZN	PIN 15X62 ZN	GOUPILLE 15X62 ZN	BOLZENSTIFT 15X62 ZN	PASADOR 15X62 ZN
42	F02200194	COPIGLIA 4X 25 U1336 ZN	SPLIT PIN 4 X25 1336 GALVAN.	GOUPILLE 4 X25 1336 ZN	SPLINT 4 X25 1336 ZN	PASADOR 4 X25 1336 ZN
43	G20970142	RONDELLA 32X4X15,5	WASHER 32X4X15-5	RONDELLE 32X4X15-5	UNTERLEGSSCHEIBE 32X4X15-5	ARANDELA 32X4X15-5
44	G20970111	RONDELLA 29,8X2X16,5	WASHER 29,8X2X16,5	RONDELLE 29,8X2X16,5	UNTERLEGSSCHEIBE 29,8X2X16,5	ARANDELA 29,8X2X16,5
45	G13811261	FALCIONE SEGNAFILE INT.	INNER ROWM. CUTTER	HACHOIR TRACEUR INT.	SZSCHAR SPURREISSER INNEN	GUADADADORA MARCADOR DE HILE
46	G15470231	SUPPORTO MOLLA PIATTA CON.150*	CONC. FLAT SPRING SUPPORT 150	SUPP. RESSORT PLAT FUMAGE 150	HALTERUNG DsNGERPLATTENFEDER 1	SOPORTE MUELLE CHATO DE ABONO1
47	G18901092	GAMBO CONCIMAZ.MOLLA PIATTA SP	FLAT SPRING MANURING LEG SP	TIGE FUMAGE RESSORT PLAT SP	SCHAFT DsNGUNG FLACHE FEDER SP	VµSTAGO ABONO MUELLE CHATO SP
48	G18902861	RINF.MOLLA PIATTA CONCIM.SP	MANUR.PLATE SPRING REINFORCE.S	RENF. RESSORT PLAT FUMAGE SP	VERSTZRKUNG FLACHFEDER DsNGUNG	REFUERZO MUELLE ABONO SP
49	F01020512	VITE M12X1,75X35 U5739 8.8 ZN	SCREW M12X1,75X35 5739 8.8 ZN	VIS M12X1,75X35 5739 8.8 ZN	SCHR. M12X1,75X35 5739 8.8 ZN	TORN. M12X1,75X35 5739 8.8 ZN
50	F01200293	DADO M12X1,75 U5588 6.8 ZN	NUT M12X1,75 U5588 6.8 ZN	ECROU M12X1,75 U5588 6.8 ZN	MUTTER M12X1,75 U5588 6.8 ZN	TUERCA M12X1,75 U5588 6.8 ZN
51	F01020233	VITE M14X2X200 U5737 8.8 BR	SCREW M14X 2X200 U5737 8.8 ZB	VIS M14X2X 200 U5737 8.8 ZB	SCHRAUBE M14X 2X200 U5737 8.8	TORNILLO M14X2X200 5737 8.8 ZB
52	F01020236	VITE M14X2X220 U5737 8.8 BR	SCREW M14X2X220 U5737 8.8 BR	VIS M14X2X220 U5737 8.8 BR	SCHRAUBE M14X2X220 U5737 8.8	TORNILLO M14X2X220 U5737 8.8



SEGNAFIL RINFORZATO

TAV. 032

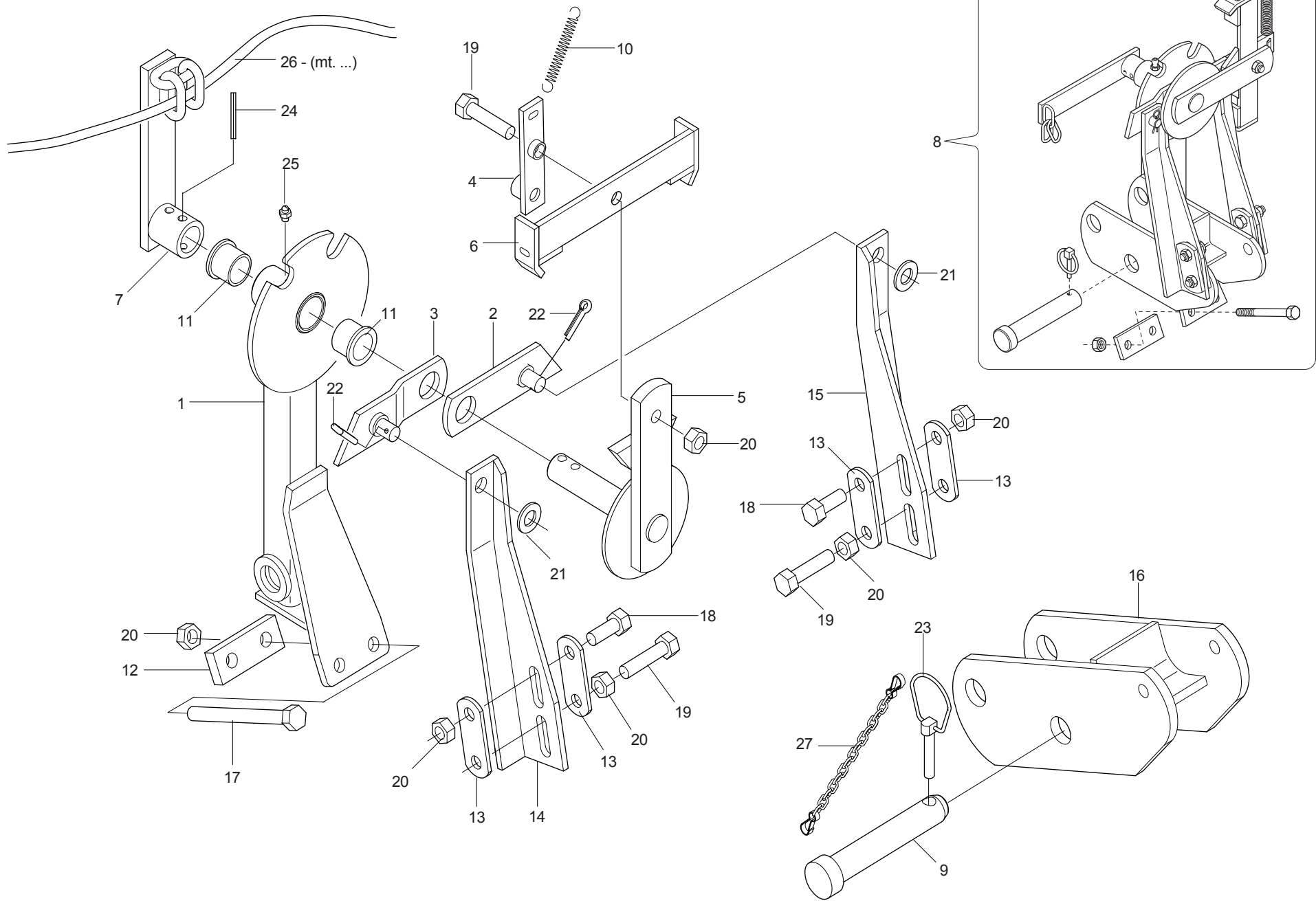
Pos.	Cod.	Descrizione	Description	Description	Benennung	Descripcion
1	G13812311	CATENELLA CON MOSCHETTONE	CHAIN WITH SPRING CATCH	CHAINETTE AVEC MOUSQUETON	KETTE MIT KARABINERHAKEN	CADENA CON GANCHO
2	G15413020	SPINA 15X120 ZN	GALVANIZED PIN 15X120	GOUPILLE 15X120 ZN	STIFT 15X120 ZN	CLAVIJA 15X120 ZN
3	G15411381	SUPPORTO BRACCIO DX	RIGHT ARM SUPPORT	RACLEUR GCH BAGUE	HALTERUNG ARM RE	SOPORTE BRAZO DER
4	G15411391	SUPPORTO BRACCIO SX	LEFT ARM SUPPORT	SUPPORT BRAS GCH	HALTERUNG ARM LI	SOPORTE BRAZO IZQ
5	G15411471	BRACCIO SEGNAFILE FRANCIA	FRENCH ROWMARKER ARM	BRAS TRACEUR	SPURREISSERARM	BRAZO MARCADOR DE FILAS
6	G16072220	BRACCIO SEGNAFILE	ROW MARKER BEAM	BRAS TRACEUR	REIHENANREISSARM	BRAZO MARCADOR DE FILAS
7	G14215830	ASSE SEGNAFILE ZN	GALVAN. ROWMAKER AXLE	AXE BRAS TRACEUR ZN	REISSERASCHE	EJE MARCADOR DE FILAS
8	G16610430	FONDELLO ZN.	BOTTOM ZN.			
9	G16610160	SUPP.CUSCINETTI DISCO SEGN.ZN.	GALVAN. ROWMARKER DISK BEARING	SUPPORT ROUEMENTS DISQUE TRAC	SCHEIBENLAGERHALTERUNG	SOPORTE COJINETE DE DISCO MARC
10	F04010156	CUSC.d20 D47 B14 6204 2RSH	BEARING d20 D47 B14 6204 2RSH			
11	G18801270	BOCCOLA 21 X25 X12 ZN				
12	F02050370	ANELLO E. DI 47X1,75 U7437 C70	SEEGER RING 47X 1,75 U7437 C70	SEEGER E. 47X 1,75 U7437 C70	SEEGERING E. 47X1,75 U7437 C70	ANILLO E. 47X 1,75 U7437 C70
13	G15413010	SPINA 15X62 ZN	PIN 15X62 ZN	GOUPILLE 15X62 ZN	BOLZENSTIFT 15X62 ZN	PASADOR 15X62 ZN
14	F03010576	ANELLO OR 50,52X1,78 NBR	GASKET OR 50,52X1,78 NBR	BAGUE OR 50,52X1,78 NBR	RING OR 50,52X1,78 NBR	ANILLO OR 50,52X1,78 NBR
15	G19204230	SUPPORTO MANICOTTO TQ.50				
16	G17111330	SCONTR0 90X70 -10 4F11 66X46	STOP TEETH 90X70 -10 4F11 66X4	BUT+E 90X70 -10 4TROUS 11 66X4	ANSCHLAG 90X70 -10 4F11 66X46	DIENTE DE PARADA 90X70 -10 4F1
17	F20110860	CAV.T.M10X 1,5X 30 46X128,5ZN	U BOLT M10X46 ZN	CAVALIER M10X46 ZN	VERBINDUNG M10X46 ZN	PERNO EN U M10X46 ZN
18	G17111290	MANICOTTO DISCO	DISK SLEEVE U BOLT	MANCHON DISQUE	SCHEIBENMUFFE	MANGUITO DISCO
19	G16610180	PERNO REGGIDISCO SEGNAF.	ROWMAKER DISC-HOLDER PIN	PIVOT PORTE-DISQUE TRACEUR	SCHEIBENTRAGBOLZEN	PERNO SOPORTE DISCO MARCAFILE
20	G16610170	DISCO SEGNAFILE D.320	ROW MARKER DISK D.320	DISQUE TRACEUR D320	SPURREISSERSCHEIBE D. 320	DISCO MARCARDOR DE FILAS O 320
21	G16610222	MONT.DISCO D.320 LIM.	ROWMARKET DISC D.320 ASSEMBLY			
22	F01020168	VITE M12X1,75X90 U5737 8.8 ZN	SCREW M12X1,75X90 U5737 8.8 ZN	VIS M12X1,75X90 U5737 8.8 ZN	SCHR.M12X1,75X90 U5737 8.8 ZN	TORN. M12X1,75X90 U5737 8.8 ZN
23	G19204030	SCONTR0 FISS.150 2F D15				
24	F01020077	VITE M 8X1,25X60 U5737 8.8 ZN	SCREW M8X1,25X60 U5737 8.8 ZN	VIS M8X1,25X60 U5737 8.8 ZN	SCHRA. M8X1,25X60 U5737 8.8 ZN	TORN. M8X1,25X60 U5737 8.8 ZN
25	F01020088	VITE M 8X1,25X90 U5737 8.8 ZN	SCREW M8X1,25 X90 U5737 8.8 ZN	VIS M8X1,25 X90 U5737 8.8 ZN	SCHRA. M8X1,25X90 U5737 8.8 ZN	TORN. M8X1,25 X90 U5737 8.8 ZN
26	F01020236	VITE M14X2X220 U5737 8.8 BR	SCREW M14X2X220 U5737 8.8 BR	VIS M14X2X220 U5737 8.8 BR	SCHRAUBE M14X2X220 U5737 8.8	TORNILLO M14X2X220 U5737 8.8
27	F01060040	VITE M8X1,25X20 U5732 4.6 ZG	SCREW M8X1,25X20 U5732 4.6 ZN	VIS M8X1,25X20 U5732 4.6 ZN	SCHRA. M8X1,25X20 U5732 4.6 ZN	TORN. M8X1,25X20 U5732 4.6 ZN
28	F01410076	ROS.M12 13X 24X2,5 U6592 ZN	WASHER D12 U6592 ZN	RONDELLE D12 U6592 ZN	SCHEIBE D12 U6592 ZN	ARANDELA D12 U6592 ZN
29	F01200293	DADO M12X1,75 U5588 6.8 ZN	NUT M12X1,75 U5588 6.8 ZN	ECROU M12X1,75 U5588 6.8 ZN	MUTTER M12X1,75 U5588 6.8 ZN	TUERCA M12X1,75 U5588 6.8 ZN
30	F01200306	DADO M14X 2 U5588 6.8 ZN	NUT M14X2	ECROU M14X2	MUTTER M14X2	DADO M14X2
31	F01200244	DADO M 8X1,25 U5588 6.8 ZN	NUT M8 X1,25 U5588 6.8 ZN	ECROU M8 X1,25 U5588 6.8 ZN	MUTTER M8 X1,25 U5588 6.8 ZN	TUERCA M8 X1,25 U5588 6.8 ZN
32	F01230098	DADO M18X 2,5 D982 8 ZN	NUT M18X 2,5 D982 8 ZN	ECROU M18X 2,5 D982 8 ZN	MUTTER M18X 2,5 D982 8 ZN	TUERCA M18X 2,5 D982 8 ZN
33	F01410088	ROS.M14 15X 28X2,5 U6592 ZN	WAS.M14 15X 28X2,5 U6592 ZB	RON.M14 15X 28X2,5 U6592 ZB	SCH.M14 15X 28X2,5 U6592 ZB	ARA.M14 15X 28X2,5 U6592 ZB
34	F01420048	ROS.M8 8,4X 24X 2 U6593 ZN	WASHER M8 8,4X 24X 2 U6593 ZN	RONDELLE M8 8,4X 24X2 U6593 ZN	SCHEIBE M8 8,4X 24X 2 U6593 ZN	ARANDELA M8 8,4X 24X2 U6593 ZN
35	F02200227	COPIGLIA 5X 30 U1336 ZN	SPLIT PIN 5 X30 1336 GALVAN.	GOUPILLE 5 X30 1336 ZN	SPLINT 5 X30 1336 ZN	PASADOR 5 X30 1336 ZN
36	F02200507	SPINA SCATTO D. 9 B/83 ZN	SNAP PIN D9 B/83 ZN	FICHE A DETENTE D9 B/83 ZN	EINRASTSTIFT D9 B/83 ZN	CLAVIJA DE MUELLE D9 B/83 ZN
37	G16610190	CHIUSURA CUSCINETTO ZN				
38	G16610210	ASS.LIMITATORE PROFONDITA'	LIMITER DEPTH COUPLYNG	GR. ASS. LIMITEUR DE PROFONDEU	TIEFENBEGRENZERKOMPLEX	CONJ. LIMITADOR DE PROFUNDIDAD
39	F01200270	DADO M10X 1,5 U5588 6.8 ZN	NUT M10X 1,5 U5588 6.8 ZN	ECROU M10X 1,5 U5588 6.8 ZN	MUTTER M10X 1,5 U5588 6.8 ZN	TUERCA M10X 1,5 U5588 6.8 ZN
40	F05150459	PARACOLPI CIL.75X25 M12 SH70	BUFFER-CYL. 75X25 M12 781103	TAMPON CIL. 75X25 M12 781103	PUFFER ZYL. 75X25 M12 781103	PARACHOQ. CIL.75X25 M12 781103
41	F02100312	SPINA DI SICUREZZA D.8X45 ZN	SAFETY PIN D.8X45 ZN	FICHE EL.DE SECURITE D.8X45 ZN	SCHERSTIFT D.8X45 ZN	CLAVIJA DE SEGURIDAD D 8X45 ZN
42	G16611090	SUPPORTO BRACCIO SEGN.RINF.DX				
43	G16611100	SUPPORTO BRACCIO SEGN.RINF.SX				
44	G16611150	BRACCIO SEGNAFILE RINF.				
45	G16611250	PERNO D.32X343				
46	F01020050	VITE M6X1X80 U5737 8.8 ZN	SCREW M6X 1X80 U5737 8.8 ZN	VIS 6 X80 5737 8.G ZN	SCHRAUBE 6 X80 5737 8.G ZN	TORNILLO 6 X80 5737 8.G ZN
47	F01220011	DADO M 6X 1 D980 8 ZN	NUT M6X1 D980 8 ZN	ECROU M6X1 D980 8 ZN	MUTTER M6X1 D980 8 ZN	TUERCA M6X1 D980 8 ZN
48	F03150996	COPPIA COLLARI X TUBO D.18				
49	F01040101	VITE M 8X1,25X40 U5931 8.8 ZN	SCREW M8X1,25X40 U5931 8.8 ZN	VIS M8X1,25X40 U5931 8.8 ZN	SCHRAUBE M8X1,25X40 U5931 8.8	TORNILLO M8X1,25X40 U5931 8.8



COMANDO SEGNAFILE OLEODINAMICO

TAV. 042

Pos.	Cod.	Descrizione	Description	Description	Benennung	Description
1	G15413050	STROZZATORE A PASTIGLIA D.0,8	PAD VENTURI D.0,8	ETRANGLEUR D.0,8	DROSSEL D.0,8	ESTRANGULADOR D.0,8
2	F01500012	RONDELLA IN RAME 1/4"	WASHER 13 X19X1,5 - 1/4"	RONDELLE	SCHEIBE	ARANDELA
3	F03150266	NIPPLO MM CIL-CIL 1/4-1/4 ZN	NIPPLE GALV.CYL.MALE 1/4 ZN	NIPPLE MALE CYL. 1/4 ZN	NIPPELZYL.1/4 ZN	NIPLE MACHO CIL.1/4 ZN
4	G22270463	TUB.TR.1/4R2 F-F 1/4 L1500 LM	TUBE TR.1/4R2 F-F1/4 L1500 LM	TUB.TR.1/4R2 F-F 1/4 L1500 LM	ROHR1/4R2 F-F 1/4 L1500 LM	TUB.TR.1/4R2 F-F 1/4 L1500 LM
5	F20110770	CAV.Q.M14X 2X 50 96X119 ZN	U BOLT M14X2X50 96X119 ZN	BRIDE U M14X2X50 96X119 ZN	ANSCHLANG U M14X2X50 96X119 ZN	EL.DE EMPALME M14X2X50 96X119
6	F01200306	DADO M14X 2 U5588 6.8 ZN	NUT M14X2	ECROU M14X2	MUTTER M14X2	DADO M14X2
7	G20970142	RONDELLA 32X4X15,5	WASHER 32X4X15-5	RONDELLE 32X4X15-5	UNTERLEGSCHIEBE 32X4X15-5	ARANDELA 32X4X15-5
8	G15412351	SUPPORTO VALVOLA				
9	F01020068	VITE M 8X1,25X40 U5737 8.8 ZN	SCREW M8X1,25X40 U5737 8.8 ZN	VIS M 8X1,25X40 U5737 8.8 ZN	SCHRA. M8X1,25X40 U5737 8.8 ZN	TORNIL.M8X1,25X40 U5737 8.8 ZN
10	F01200244	DADO M 8X1,25 U5588 6.8 ZN	NUT M8 X1,25 U5588 6.8 ZN	ECROU M8 X1,25 U5588 6.8 ZN	MUTTER M8 X1,25 U5588 6.8 ZN	TUERCA M8 X1,25 U5588 6.8 ZN
11	G15413070	TUBO 1/4R2 CF1/4- F1/4 4250	PIPE 1/4R2 CF1/4-F1/4 4250	TUBE 1/4R2 CF1/4-F1/4 4250	SCHLAUCH 1/4R2 CF1/4-F1/4 4250	TUBO 1/4R2 CF1/4-F1/4 4250
12	G16611050	VALVOLA SEGNAFILE CN COMPL	ROWMARKER VALVE ASSY.	SOUPAPE TRACEUR COMPL.	KOMPL. SPURREISSEVENTIL	V-LVULA MARC. DE FILAS COMPL
13	G15413080	TUBO 1/4 C-F L.4650	TUBE 1/4 C-F L.4650	TUBE 1/4 C-F L.4650	ROHR 1/4 C-F L.4650	TUBO 1/4 C-F L.4650
14	F03150859	CURVA 90°F.GIREV.1/4 - M.1/4	ELBOW 90° F. SWIVEL 1/4 -M.1/4	COUDE 90° F.TOURN.1/4 - M.1/4	KNIESTsCK 90[F.DREHB.1/4 - M.	CURVA 90 F.GIRAT.1/4 - M.1/4
15	F05150325	CAPPUC.F X INN.M RAP.1/2 ROSSO	COVER CONNECT F 1/2 RED	COUVERCLE CONNEXION F 1/2 ROSE	DECKEL W 1/2 SCHNELLKUPP. ROT	PAC PROTECCION F 1/2 ROJO
16	F03150211	NIPPLO MM CIL-CIL 1/2-1/4 ZN	NIPLE MM CIL-CIL 1/4-1/2 ZN	NIPLE MM 1/4-1/2 ZN	NIPLE GG 1/4-1/2 ZN	NIPLE MM 1/4-1/2 ZN
17	F03151237	ROS. 21 X27X1,5 RAME -1/2"	COPPER WASHER 21X27X1,5 1/2	RONDELLE CUIVRE 21X27X1,5 1/2	SCHEIBE KUPFER 21X27X1,5 1/2	ARANDELA COBRE 21X27X1,5 1/2
18	F03150935	INNESTO RAP.MASCH.1/2 A VALV.	QUICK CONNECT MALE CONE 1/2	CONNEXION RAPIDE MALE CONE 1/2	SCHNELLKUPP.GEWINDE KONISC 1/2	ACOPLAMIEN.RAP.MACHO CONO 1/2
19	G23440517	TUBO 1/4R2 C-F 1/4 L2000 HL/ID	PIPE 1/4R2 C-F 1/4 L2000 HL/ID	TUBE 1/4R2 C-F 1/4 L2000 HL/ID	ROHR 1/4R2 C-F 1/4 L2000 HL/ID	TUBO 1/4R2 C-F 1/4 L2000 HL/ID
20	G13811211	TUBO X COLLEG. AL TRATTORE	PIPE FOR CONNECTION TO TRACTOR	TUBE POUR CONN. AU TRACTEUR	ROHR F. KUPPLUNG AM SCHLEPPER	TUBO P/CONEXIN AL TRACTOR T
21	F03151226	REGOL.DI FLUSSO VRF 1/4' GAS	1/4' GAS VALVE VRF	SOUPAPE REG DEBIT VRF 1/4" GAZ	VENITL VRF 1/4' GAS	VæLVULA VRF 1/4' GAS
22	F03151219	RACCORDO -T- MASCHIO 1/4 ZN	MALE T-UNION 1/4 ZN	CONNECTION A T	T VERBINDUNG	JUNTURA A T
23	G16011690	NIPPLO MM 1/4-1/4 FORO 1,0	UPRIGHT 1/4" NIPPLE WITH GRUB	MONTANT NIPPLE 1/4 AVEC GRAIN	STZNDER NIPPEL 1/4 MIT STIFT 8	MONT.NIPLE 1/4 TORNIL.SIN CABE
24	G15413110	CILINDRO SEGNAFILE SP COMPL.	ROW MARKER CYLINDER SP	CYLINDRE TRACEUR SP	SYLINDER REIHENANREISSER SP	CILINDRO MARCADOR DE FILAS
25	G16610140	CILINDRO DE 30X40 -155	CYLINDER D.E.30-40-155	CYLINDRE D.E. 30-40/155	ZYLINDER D.E.30-40/155	CILINDRO D.E. 30-40/155
26	G19702710	DECAL.POSIZIONE STROZZATORE	VENTURI POSITION STICKER	DECALCOM POSITION TAQUET	ABZIEHBILD POSIZION DROSSELSTE	CALCOMAN-A. POSICIÉN ESTRANGUL
27	G22505140	TUBO 1/4R2 C-F 1/4 L.2350 LM	PIPE 1/4R1 C-F 1/4 L.2350 LM	TUBE 1/4R1 C-F 1/4 L. 2350 LM	ROHR 1/4R1 C-F 1/4 L.2350 LM	TUBO 1/4R1 C-F 1/4 L.2350 LM
28	G15210553	TUBO 1/4R2 CF45 1/4-F 1/4 2750	PIPE 1/4R2 CF45 1/4-F 1/4 2750			
29	G15210950	TUBO 1/4 R2 C-F 1/4 L.3150	PIPE 1/4-R2 C-F 1/4 M.3150	TUBE 1/4-R2 C-F 1/4 M.3150	ROHR 1/4-R2 C-F 1/4 M.3150	TUBO 1/4-R2 C-F 1/4 M.3150
30	G15210561	TUBO 1/4R2 CF1/4- F1/4 3500	PIPE 1/4R2 CF1/4- F1/4 3500	TUBE 1/4R2 CF1/4- F1/4 3500	ROHR 1/4R2 CF1/4- F1/4 3500	TUBO 1/4R2 CF1/4- F1/4 3500
31	G15413060	TUBO 1/4R2 CF1/4- F1/4 3850	TUBE 1/4R2 CF1/4-F1/4 3850	TUYAU 1/4R2 CF1/4-F1/4 3850	SCHLAUCH 1/4R2 CF1/4-F1/4 3850	TUBO 1/4R2 CF1/4-F1/4 3850
32	G16012650	TUBO R2 1/4 C-F L.4000	PIPE 1/4 R2 C-F 1/4 L.4000	TUBE 1/4 R2 C-F 1/4 L. 4000	ROHR 1/4 R2 C-F 1/4 L 4000	TUBO 1/4 R2 C-F 1/4 L.4000

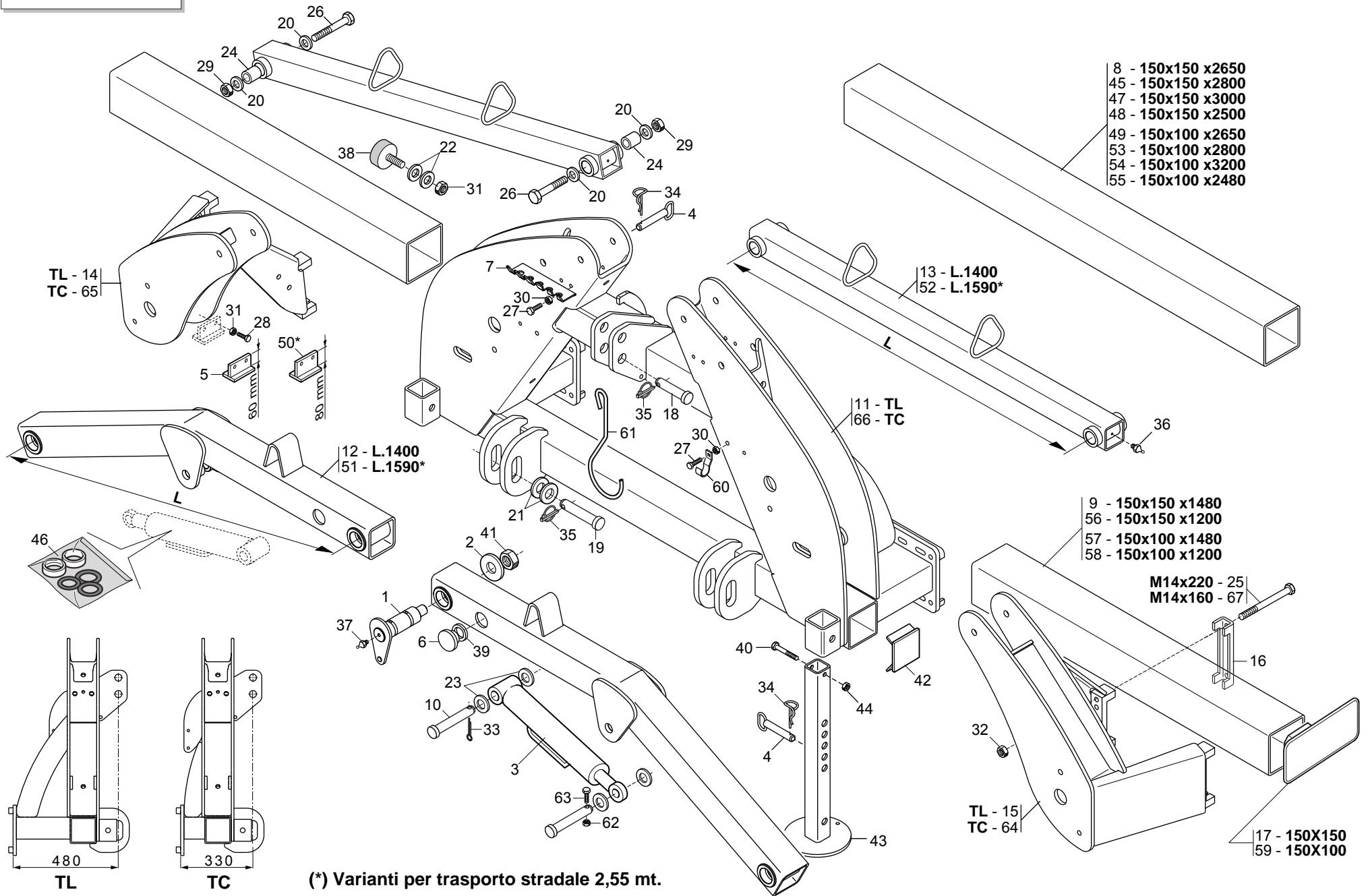


COMANDO SEGNAFILE MECCANICO

TAV. 051

Pos.	Cod.	Descrizione	Description	Description	Benennung	Descripcion
1	G15410921	COMANDO SEGNAF.SP				
2	G15410950	LEVA PIANA	FLAT LEVER	LEVIER PLAT	FLACHER HEBEL	PALANCA PLANA
3	G15410960	LEVA STAMPATA	PRESSED LEVER	LEVIER IMPRESSION	GEPRESSTER HEBEL	PALANCA MOLDEADA
4	G15410990	LEVA SCATTO SEGNAFILE	ROWMARKER SNAP LEVER	LEVIER DETENTE TRACEUR	SCHNAPPHEBEL REIHENANREISSER	PALANCA DISPARO MARCADOR DE FI
5	G15411110	SUPPORTO LEVA SCATTO	SNAP LEVER SUPPORT	SUPPORT LEVIER DETENTE	HALTERUNG SCHNAPPHEBEL	SOPORTE PALANCA DISPARADOR
6	G15411120	FERMO LEVE AGGANCIO	LEVERS HOOK UP STOP	ARRET LEVIER ACCORCHAGE	FESTSTELLVORRICHTUNG KUPPLUNGS	BLOQUEO PALANCA ENGANCHE
7	G15411130	FERMO CORDE SEGNAFILE SP	ROWMARKER ROPE STOP SP	ARRET CORDES TRACEUR SP	FESTSTELLVOR. SEILE REIHENANRE	BLOQUEO CUERDAS MARCADOR FILAS
8	G15411141	SCATTO AUTOMATICO SP 530 COMPL				
9	F20100133	PERNO D25 L122 C43 ZN	PIN D25 L122 C43 ZN	BOULON D25 L122 C43 ZN	BOLZEN D25 L122 C43 ZN	PERNO D25 L122 C43 ZN
10	G18902680	MOLLA TRAZ.ZN SERBATOIO SV290	GALV.TANK TRACT.SPRING SV290	RESSORT RAZ.ZN RESERVOIR SV290	ZUGFEDER ZN BEHZLTER SV290	MUELLE TRAC.ZN DEPOSITO SV290 A
11	G21120067	BOCCOLA IN BRONZO	BRONZE BUSHING	BOITE EN BRONZE	BRONZEBsCHSE	CASQUILLO DE BRONCE
12	G22220124	SCONTR0	STRIKER PLATE	BUTEE	ANSCHLAG	ELEMENTO DE EMPALME
13	G22220132	SCONTR0 BRACCI	STRIKER PLATE- ARMS	BUTEE BRAS	ARME ANSCHLAG	ELEMENTO DE EMPALME BRAZOS
14	G22270021	BRACCIO INF.SX COMANDO SEGNAF.	ARM-LOWER LEFT ROWMARK. CONTR.	BRAS INF. GCH. COMMANDE TRACEU	LINKER UNT. ARM SPURREISSERSTE	BRAZO INF.IZQ. MANDO MARC. FIL
15	G22270022	BRACCIO INF.DX COMANDO SEGNAF.	RIGHT LOWER ARM-ROWMARK.CONTR.	BRAS INF. DRT. COMMANDE TRACEU	RECHTER UNT. ARM SPURREISSERST	BRAZO INF.DER. MANDO MARC. FIL
16	G13810342	ATTACCO COMANDO 3° PUNTO	CONTROL COUPLING 3. POINT	FIXATION COMMANDE 3 POINT K	UPPLUNG STEUERUNG 3. PUNKT C	ONEXIN MANDO 3PUNTO OPR
17	F01020182	VITE M12X1,75X160 5737 8.8 BR	BOLT 12X160 5737 8.G	VIS 12X160 5737 8.G	SCHRAUBE 12X160 5737 8.G	TORNILLO 12X160 5737 8.G
18	F01020510	VITE M12X1,75X30 U5739 8.8 ZN	BOLT M 12X30	VIS M 12X30	SCHRAUBE M 12X30	TORNILLO M 12X30
19	F01020517	VITE M12X1,75X50 U5739 8.8 ZN	SCRE M12X1,75X50 5739 8.8 ZN	VIS M12X1,75X50 5739 8.8 ZN	SCHRA. M12X1,75X50 5739 8.8 ZN	TORN. M12X1,75X50 5739 8.8 ZN
20	F01200293	DADO M12X1,75 U5588 6.8 ZN	NUT M12X1,75 U5588 6.8 ZN	ECROU M12X1,75 U5588 6.8 ZN	MUTTER M12X1,75 U5588 6.8 ZN	TUERCA M12X1,75 U5588 6.8 ZN
21	F01410088	ROS.M14 15X 28X2,5 U6592 ZN	WAS.M14 15X 28X2,5 U6592 ZB	RON.M14 15X 28X2,5 U6592 ZB	SCH.M14 15X 28X2,5 U6592 ZB	ARA.M14 15X 28X2,5 U6592 ZB
22	F02200227	COPIGLIA 5X 30 U1336 ZN	SPLIT PIN 5 X30 1336 GALVAN.	GOUPILLE 5 X30 1336 ZN	SPLINT 5 X30 1336 ZN	PASADOR 5 X30 1336 ZN
23	F02200507	SPINA SCATTO D. 9 B/83 ZN	SNAP PIN D9 B/83 ZN	FICHE A DETENTE D9 B/83 ZN	EINRASTSTIFT D9 B/83 ZN	CLAVIJA DE MUELLE D9 B/83 ZN
24	F02100141	SPINA E.P. 8X 36 U6873 C70 BR	PIN EL. 8X 36 U6873 C70 BR	FICHE EL. 8X 36 U6873 C70 BR	SPANNSTIFT 8X 36 U6873 C70 BR	CLAVIJA EL. 8X 36 U6873 C70 BR
25	F01100011	ING.M 6X1 7663-A 9SMNPB28 ZN	GREASE NIPPLE M6X1 7663-A ZN	GRAISS. A BILLE M6X1 7663A ZN	SCHMIERBUECHE M6X1 7663-A ZN	ENGRAS. DE ESFERAS M6X1 7663-A
26	F05150399	CORDA POLIPROPILENE D.12	POLIPROPILENE 12 CABLE	CORDE POLIPROPILENE 12	SEIL POLIPROPILENE 12	CUERDA POLIPROPILENE 12
27	G13812311	CATENELLA CON MOSCHETTONE	CHAIN WITH SPRING CATCH	CHAINETTE AVEC MOUSQUETON	KETTE MIT KARABINERHAKEN	CADENA CON GANCHO

TAV. 271

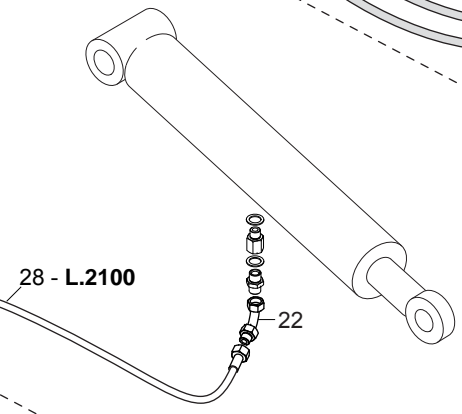
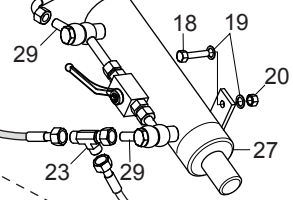
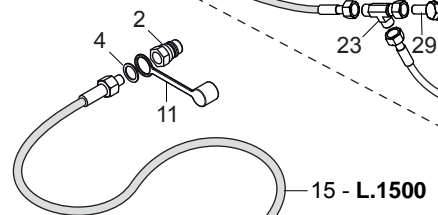
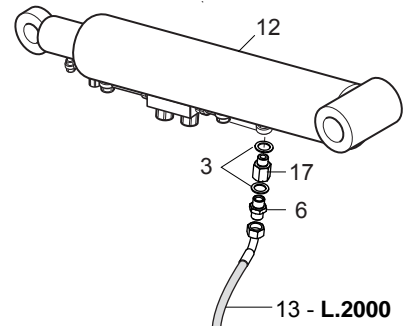
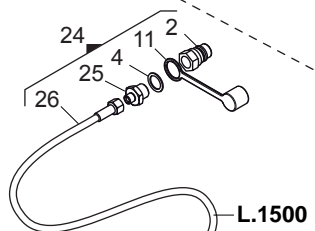
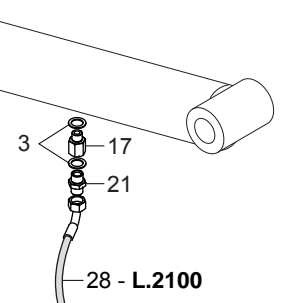
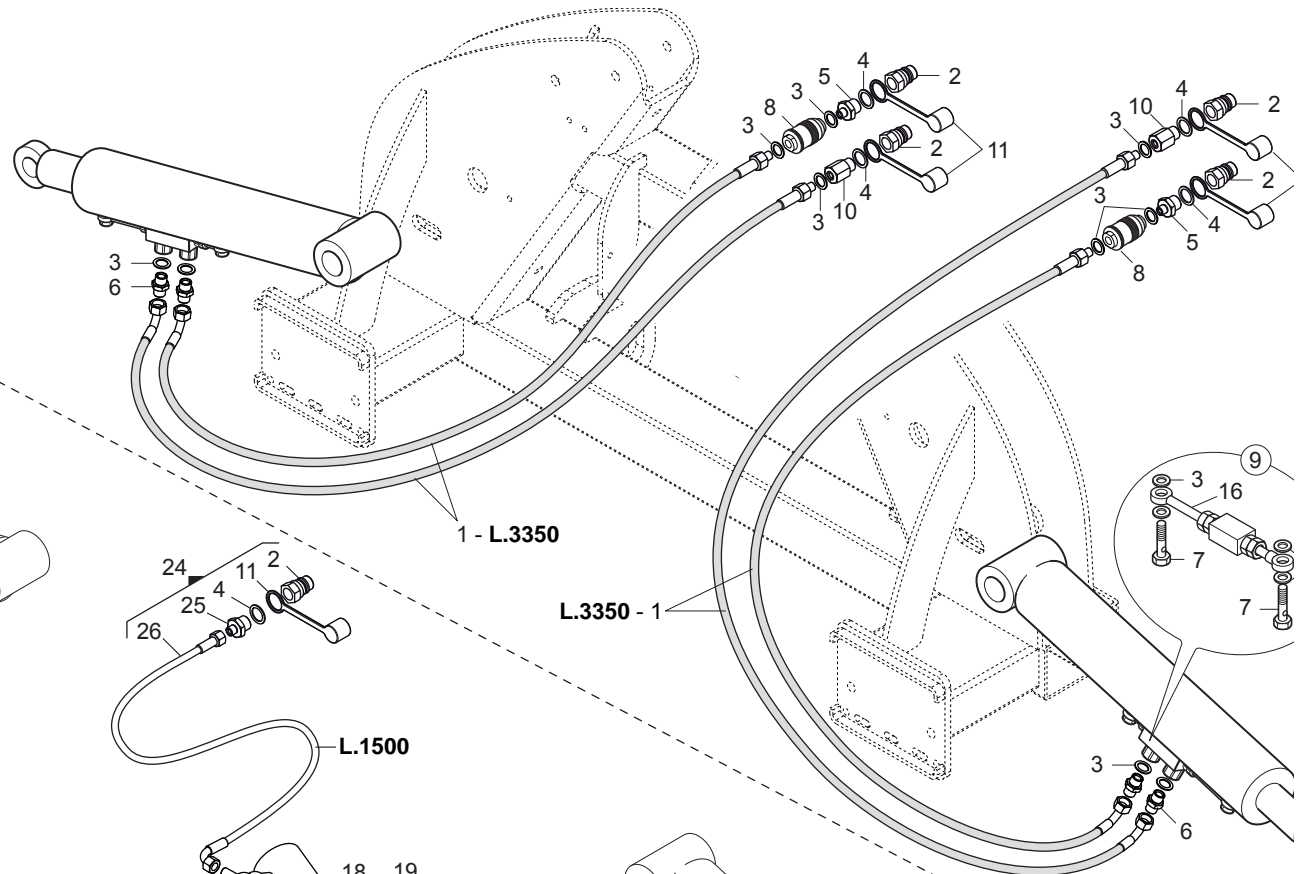


TELAIO PIEGHEVOLE

TAV. 271

Pos.	Cod.	Descrizione	Description	Description	Benennung	Descripcion
1	G14219550	SPINA ROTAZIONE				0
2	G14219500	FLANGIA				0
3	G14215302	CILINDRO DE 40X80X335	CYLINDER 40X80X335	CYLINDRE 40X80X335	ZYLINDER 40X80X335	CILINDRO 40X80X335
4	G14215360	SPINA DI SICUREZZA	PIN D20 L173,5	FICHE D20 L173,5	STIFT D20 L173,5	CLAVIJA D20 L173,5
5	G14215570	FERMO TELAIO MOBILE	MOBILE FRAME STOP	ARRET BATI MOBILE	FESTSTELLVORRICHTUNG MOBILER R	BLOQUEO BASTIDOR MVIL
6	G14216730	PLAstra SCORRIMENTO	SLIDING PLATE	PLAQUE GLISSEMENT	GLEITPLATTE	PLACA DE DESPLAZAMIENTO
7	G14217560	SUPPORTO 5 TUBI	5 PIPE SUPPORT	SUPPORT 5 TUBES	5 ROHR HALTERUNG	SOPORTE 5 TUBOS
8	G14215170	TELAIO FISSO	FIXED FRAME	BATIFIXE	FIXER RAHMEN	BASTIDOR FIJO
9	G14215541	TUBO Q.150X8X1480	SQUARE TUBE 150X1480	TUBE CARR+ 150X1480	ROHR Q.150X1480	TUBO CUADRADO 150X1480
10	F20100076	PERNO D28 L154 C40 ZN	BOLT D28 L154 C40 ZN	BOULON D28 L154 C40 ZN	BOLZEN D28 L154 C40 ZN	PERNO D28 L154 C40 ZN
11	G14219530	TELAIO PORTANTE SI-MTI				0
12	G14216613	BRACCIO INFERIORE	LOWER ARM	BRAS INFERIEUR	UNTERER ARM	BRAZO INFERIOR
13	G14216641	BRACCIO SUPERIORE	TOP ARM	BRAS SUPERIEUR	OBERER ARM	BRAZO SUPERIOR
14	G14216714	SUPPORTO TELAIO MOBILE DX				0
15	G14216724	SUPPORTO TELAIO MOBILE SX				0
16	G15110091	SCONTRIO A U	STRIKER	BRIDE 150 MM	ANSCHLAG	ELEMENTO DE EMPALME
17	G19003000	TAPPO PER TELAIO 150	CAP FOR FRAME 150	BOUCHON POUR BATI 150	PFFROPFEN FOR RAHMEN 150	TAPON PARA BASTIDOR 150
18	F20100124	PERNO D32 L135 C40 ZN	BOLT D32 L135 C40 ZN	BOULON D32 L135 C40 ZN	BOLZEN D32 L135 C40 ZN	PERNO D32 L135 C40 ZN
19	F20100141	PERNO D36 L128 C43 ZN	BOLT D36 L128 C43 ZN	BOULON D36 L128 C43 ZN	BOLTZEN D36 L128 C43 ZN	PERNO D36 L128 C43 ZN
20	G20970043	RONDELLA 50X8X20,5 ZN	WASHER 50X8X20,5 ZN	RONDELLE 50X8X20,5 ZN	UNTERLEGSCHLEIBE 50X8X20,5 ZN	ARANDELA 50X8X20,5 ZN
21	G18701810	RONDELLA 38X70X10	WASHER 38X70X10	RONDELLE 38X70X10	UNTERLEGSCHLEIBE 38X70X10	ARANDELA 38X70X10
22	G20970126	RONDELLA 75X2,5X14,5	WASHER 75X2,5X14,5	RONDELLE 75X2,5X14,5	UNTERLEGSCHLEIBE 75X2,5X14,5	ARANDELA 75X2,5X14,5
23	G18701580	RONDELLA 30,5 X76 X4	WASHER 30,5 X 76 X 6	RONDELLE 30-5 X78 X6	UNTERLEGSCHLEIBE 30-5 X78 X6	ARANDELA 30-5 X78 X6
24	G18801380	BOCCOLA 20,25X40 X121	BUSHING 20,25X40 X121			
25	F01020236	VITE M14X2X220 U5737 8.8 BR	SCREW M14X2X220 U5737 8.8 BR	VIS M14X2X220 U5737 8.8 BR	SCHRAUBE M14X2X220 U5737 8.8	TORNILLO M14X2X220 U5737 8.8
26	F01020322	VITE M20X2,5X190 U5737 10.9 ZD	SCREW M20X2,5X190 5737 10.9 ZN	VIS M20X2,5X190 5737 10.9 ZN	SCHRA.M20X2,5X190 5737 10.9 ZN	TORN. M20X2,5X190 5737 10.9 ZN
27	F01020476	VITE M10X1,5X30 U5739 8.8 ZN	SCREW M10X1,5 X 30 5739 8.8 ZN	VIS M10X1,5 X 30 5739 8.8 ZN	SCHRA. M10X1,5 X 30 5739 8.8 ZN	TORN. M10X1,5 X 30 5739 8.8 ZN
28	F01020510	VITE M12X1,75X30 U5739 8.8 ZN	BOLT M 12X30	VIS M 12X30	SCHRAUBE M 12X30	TORNILLO M 12X30
29	F01230131	DADO M20X 2,5 D982 6 ZN	NUT M20X 2,5 D982 6 ZN	ECROU M20X 2,5 D982 6 ZN	MUTTER M20X 2,5 D982 6 ZN	TUERCA M20X 2,5 D982 6 ZN
30	F01200270	DADO M10X 1,5 U5588 6.8 ZN	NUT M10X 1,5 U5588 6.8 ZN	ECROU M10X 1,5 U5588 6.8 ZN	MUTTER M10X 1,5 U5588 6.8 ZN	TUERCA M10X 1,5 U5588 6.8 ZN
31	F01200293	DADO M12X1,75 U5588 6.8 ZN	NUT M12X1,75 U5588 6.8 ZN	ECROU M12X1,75 U5588 6.8 ZN	MUTTER M12X1,75 U5588 6.8 ZN	TUERCA M12X1,75 U5588 6.8 ZN
32	F01200306	DADO M14X 2 U5588 6.8 ZN	NUT M14X2	ECROU M14X2	MUTTER M14X2	DADO M14X2
33	F02200272	COPIGLIA 10X 60 U1336 ZN	SPLIT PIN 10 X60 1336 GALVAN.	GOUPILLE 10 X60 1336 ZN	SPLINT 10 X60 1336 ZN	PASADOR 10 X60 1336 ZN
34	F02200374	COPIGLIA R 4X 82 ZN	SPRING SPLIT PIN 4X82	GOUPILLE 4X82	SPLINT 4X82	PASADOR 4X82
35	F02200507	SPINA SCATTO D. 9 B/83 ZN	SNAP PIN D9 B/83 ZN	FICHE A DETENTE D9 B/83 ZN	EINRASTSTIFT D9 B/83 ZN	CLAVIJA DE MUELLE D9 B/83 ZN
36	F01100011	ING.M 6X1 7663-A 9SMNPB28 ZN	GREASE NIPPLE M6X1 7663-A ZN	GRAISS. A BILLE M6X1 7663A ZN	SCHMIERBUECHE M6X1 7663-A ZN	ENGRAS. DE ESFERAS M6X1 7663-A
37	F01100061	ING.M10X1 7663-A 9SMNPB28 ZN	GREASE NIPPLE M10X1 7663-A ZN	GRAISSEUR M10X1 7663-A ZN	SCHMIERBUECHSE M10X1 7663-A ZN	ENGRASADOR M10X1 7663-A ZN
38	F05150459	PARACOLPI CIL.75X25 M12 SH70	BUFFER-CYL. 75X25 M12 781103	TAMPON CIL. 75X25 M12 781103	PUFFER ZYL. 75X25 M12 781103	PARACHOQ. CIL.75X25 M12 781103
39	G18701770	RONDELLA 50 X90 X0,5	WASHER 50 X90 X0,5	RONDELLE 50 X90 X0,5	UNTERLEGSCHLEIBE 50 X90 X0,5	ARANDELA 50 X90 X0,5
40	F01020166	VITE M12X1,75X80 U5737 8.8 ZN	SCREW M12X1,75X80 U5737 8.8 ZN	VIS M12X1,75X80 U5737 8.8 ZN	SCHRA.M12X1,75X80 U5737 8.8 ZN	TORN. M12X1,75X80 U5737 8.8 ZN
41	F01230291	DADO M30X 2 D985 ZN	SELF-LOCK NUT M30X2 DIN 985 ZN	ECROU AUTOB. M30X2 DIN 985 ZN	SELBSTSP. MU. M30X2 DIN 985 ZN	TUERCA AUTOB. M30X2 DIN 985 ZN
42	G15413210	TAPPO TELAIO 120 COMPL.				
43	G15817000	PUNTELLO TELAIO PIEGH.				
44	F01220048	DADO M12X1,75 D980 8 ZN	NUT M12X1,75 D980 8 ZN	ECROU M12X1,75 D980 8 ZN	SCHLEIBE M12X1,75 D980 8 ZN	TUERCA M12X1,75 D980 8 ZN
45	G22505031	TUBO TELAIO L=2800	FRAME PIPE L=2800	TUBE BATI L=2800	ROHR RAHMEN L=2800	TUBO BASTIDOR L=2800
46	F03100178	KIT GUARNIZ.CILINDRO 14216770	KIT O-RING CYLINDER 15312720	KIT GARNIT. CYLINDRE 15312720	KIT DICHT.OR ZYLINDER15312720	SET JUNTA OR CILINDRO15312720
47	G16610100	TUBO TELAIO FISSO L.3000 Q.150	FIXED FRAME PIPE L.3000 Q.150	TUBE BATI FIXE L.3000 Q.150	ROHR FIXER RAHMEN L.3000 Q.150	TUBO BASTIDOR FIJO L.3000 Q150
48	G15211690	TUBO TELAIO FISSO L.2500 Q.150	FIXED FRAME PIPE L.2500 Q.150	TUBE BATI FIXE L.2500 Q.150	ROHR FIXER RAHMEN L.2500 Q.150	TUBO BASTIDOR FIJO L.2500 Q150
49	G14217260	TUBO R.150X100X6X2650	RECTANGULAR PIPE 150X100X6X2650	TUBE RECT. 150X100X 6X2650	R. ROHR 150X100X 6X2650	TUBO RECT. 150X100X 6X2650
50	G14218890	FERMO TELAIO	FRAME STOP	ARRET BATI	FESTSTELLVORRICHTUNG	BLOQUEO BASTIDOR
51	G14218851	BRACCIO INF.LUNGO	LOWER ARM LONG	BRAS LONG INFERIEUR	UNTERER LARGER ARM	BRAZO LARGO INFERIOR
52	G14218830	BRACCIO SUPPORTO LUNGO	LONG SUPPORT ARM COUPLING	BRAS SUPPORT LONG	LARGERALTERUNGSARM	BRAZO SOP. LARGO
53	G14217390	TUBO R.150X100X6X2800	RECTANGULAR PIPE 150X100X2800	TUBE RECT. 150X100X 6X2800	R. ROHR 150X100X 6X2800	TUBO RECT. 150X100X 6X2800
54	G14217400	TUBO TELAIO 150X100X3200	FRAME PIPE 150X100X3200	TUBE BATI 150X100X3200	ROHR RAHMEN 150X100X3200	TUBO BASTIDOR 150X100X3200
55	G16610050	TUBO R.150X100X2480	RECTANGULAR PIPE 150X100X2480	TUBE RECT.150X100X6X2480	R. ROHR150X100X6X2480	TUBO RECT.150X100X6X2480
56	G14219190	TUBO Q.150X 8X1200				
57	G14217270	TUBO R.150X100X6X1480	RECTANGULAR PIPE 150X100X 1480	TUBE RECT.150X100X 6X1480	R. ROHR 150X100X 6X1480	TUBO RECT. 150X100X 6X1480
58	G14218860	TUBO R.150X100X6X1200	RECTANGULAR PIPE 150X100X 1200	TUBE RECT.150X100X 6X1200	R. ROHR 150X100X 6X1200	TUBO RECT. 150X100X 6X1200
59	G16610110	TAPPO TELAIO 150X100 COMPL.	COMPL. FRAME PLUG 150X100 B319	BOUCHON CH-SSIS 150X100 COMPL.	PFFROPFEN RAHMEN 150X100 KOMPL.	TAPEN BASTIDOR 150X100 COMPL.
60	F20120401	FASCETTA FERMA CARDANO ZN	SHAFT HOOK SUPPORT	SUPPORT CARDAN	GELENKWELLE HACKEN HALTER	SOPORTE CARDAN
61	F20120400	GANCIO SOSTEGNO CARDANO	SHAFT HOOK SUPPORT	SUPPORT CARDAN	GELENKWELLE - HACKEN	SOPORTE CARDAN
62	F01220033	DADO M10X 1,5 D980 8 ZN	NUT M10X 1,5 D980 8 ZN	ECROU M10X 1,5 D980 8 ZN	MUTTER M10X 1,5 D980 8 ZN	TUERCA M10X 1,5 D980 8 ZN
63	F01020109	VITE M10X1,5X 35 U5737 8.8 ZN	SCREW M10X1.5X35 U5737 8.8 ZB	VIS M10X1.5X 35 U5737 8.8 ZB	SCHRAUBE M10X1.5X35 U5737 8.8	TORNILLO M8X150 U5737 8.8 ZB
64	G14219860	TELAIO MOBILE SX TC				
65	G14219850	TELAIO MOBILE DX TC				
66	G14219880	TELAIO PORTANTE TC				
67	F01020225	VITE M14X2X160 U5737 8.8 BR	SCREW M 14 X160 5737 8.G	VIS M 14 X160 5737 8.G	SCHRAUBE M 14 X160 5737 8.G	TORNILLO M 14 X160 5737 8.G

VARIANTI PER IMPIANTO
BASSA PRESSIONE

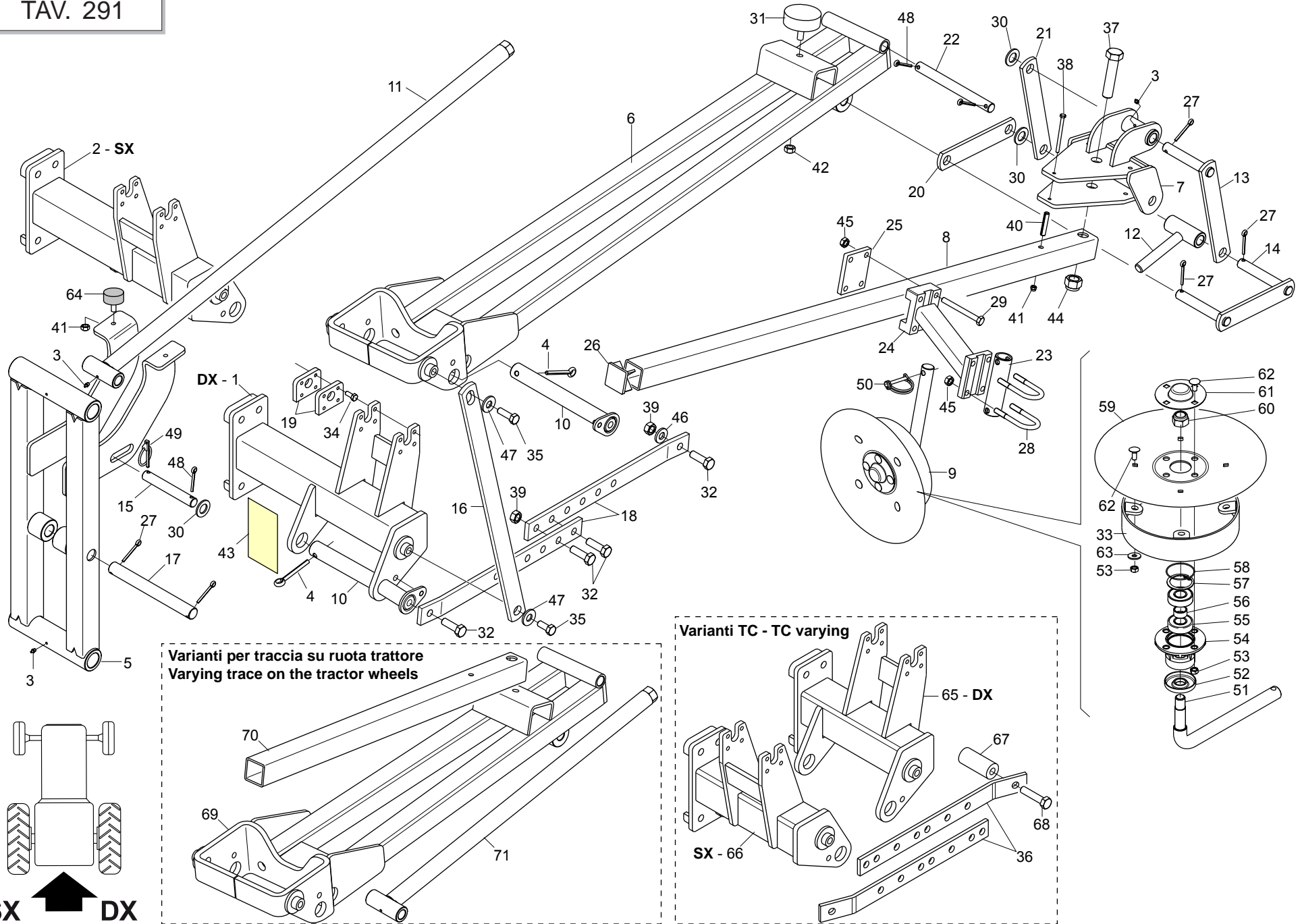


VARIANTI PER CILINDRO
DOPPIO STADIO



IMPIANTO TELAIO PIEGHEVOLE
TAV. 281

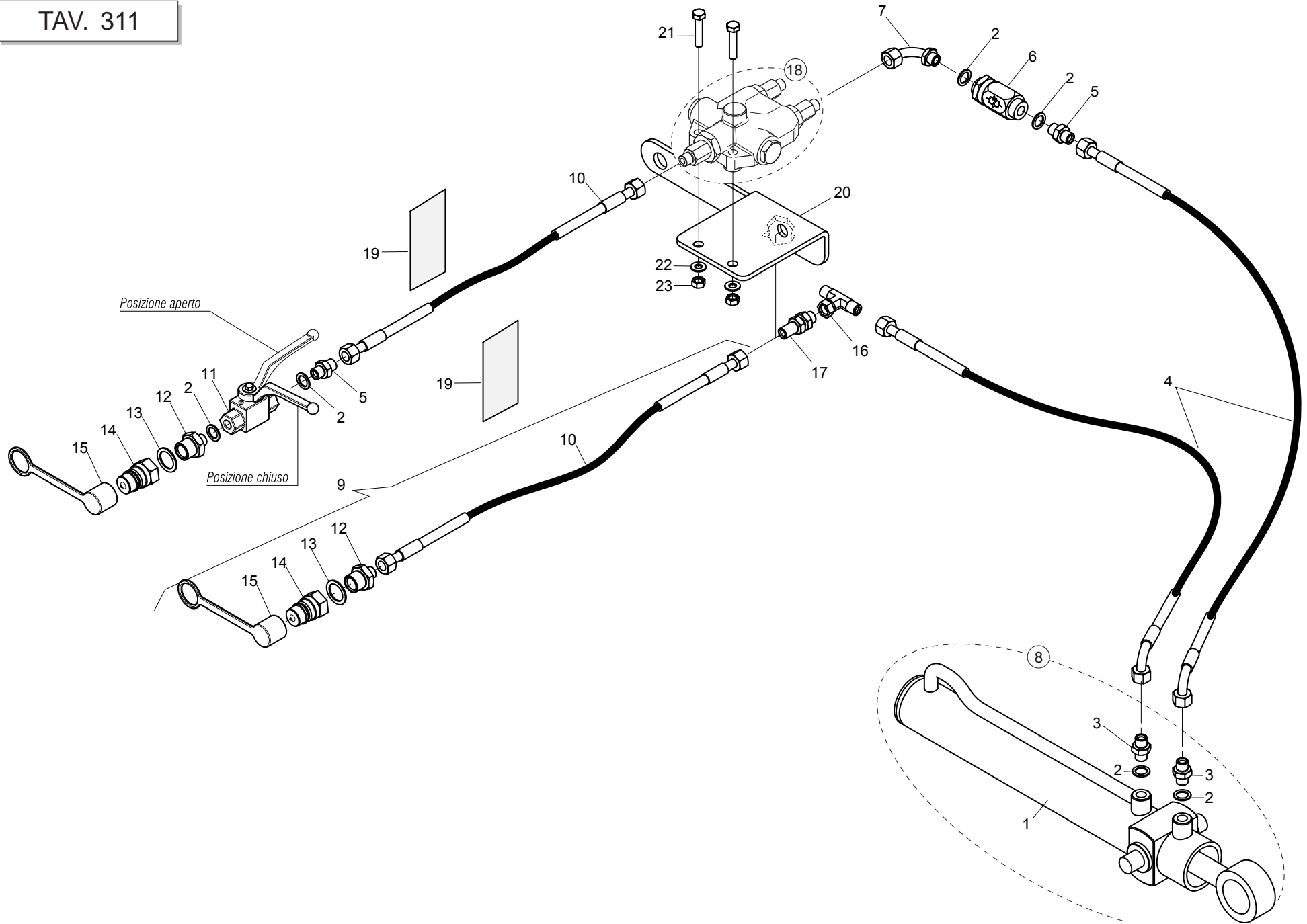
Pos.	Cod.	Descrizione	Description	Description	Benennung	Description
1	G14217120	TUBO 3/8R2 CF3/8- M3/8 3350	PIPE 3/8R2 CF3/8- M3/8 L.3350	TUBE 3/8R2 CF3/8- M3/8 L.3350	ROHR 3/8R2 CF3/8- M3/8 L.3350	TUBO 3/8R2 CF3/8- M3/8 L.3350
2	F03150935	INNESTO RAP.MASCH.1/2 A VALV.	QUICK CONNECT MALE CONE 1/2	CONNEXION RAPIDE MALE CONE 1/2	SCHNELLKUPP.GEWINDE KONISC 1/2	ACOPLAMIENTO.RAP.MACHO CONO 1/2
3	F03151240	ROS. 17 X23X1,5 RAME -3/8"	COPPER WASHER 17X23X1,5 3/8"	RONDELLE CUIVRE 17X23X1,5 3/8"	SCHEIBE KUPFER 17X23X1,5 3/8"	ARADNDELA COBRE 17X23X1,5 3/8"
4	F03151237	ROS. 21 X27X1,5 RAME -1/2"	COPPER WASHER 21X27X1,5 1/2	RONDELLE CUIVRE 21X27X1,5 1/2	SCHEIBE KUPFER 21X27X1,5 1/2	ARANDELA COBRE 21X27X1,5 1/2
5	F03150222	NIPPLO MM CIL-CIL 1/2-3/8 ZG	NIPPLE M-M CYL-CYL 1/2-3/8 ZN	NIPPLE H-H CIL-CIL 1/2-3/8 ZN	NIPPEL M-M CIL-CIL 1/2-3/8 ZN	NIPLE H-H CIL-CIL 1/2-3/8 ZN
6	F03150321	NIPPLO MM CIL-CIL 3/8-3/8 ZG				
7	F03151223	RACCORDO VITE CAVA 3/8	UNION SCREW 3/8	VIS 3/8	SCHRAUBE 3/8	TORNILLO CAVA 3/8
8	F03151252	STROZZATORE UNIDIREZ.VSRU 3/8	BI-DIRECTIONAL VENTURI 3/8	ETRANGLEUR BIDIRECTIONN. 3/8	ZWEIS. DROSSEL 3/8	ESTRANGULADOR BIDIRECCION.3/8
9	F03150589	KIT VALVOLA DI BLOCCO 3/8 DE	PIL. BLOCK VALVE VBPDE38EC	SOUPAPE BLOC GUIDEE VBPDE38EC	GEST. SPERRVENTIL VBPDE38EC	VæLVULA BLOQUE PIL.VBPDE38EC
10	F03151213	RACCORDO RIDUZIONE M 1/2-F 3/8	M 1/2-F 3/8 CONNECTION PIPE	RACCORD REDUCTION FINALEM 1/2-	ANSCHLUSS REDUKTIONM 1/2-F 3/8	UNION REDUCCION M ç-F 3/8
11	F05150325	CAPPUC.F X INN.M RAP.1/2 ROSSO	COVER CONNECT F 1/2 RED	COUVERCLE CONNEXION F 1/2 ROSE	DECKEL W 1/2 SCHNELLKUPP. ROT	PAC PROTECCION F 1/2 ROJO
12	G14217511	CILINDRO DOPPIO STADIO SI-MTI				
13	G15312621	TUBO 3/8 R2 F3/8-C3/8 L.2000	PIPE 3/8 R2 F3/8-C3/8 L2000	TUBE 3/8 R2 F3/8-C3/8 L2000	ROHR 3/8 R2 F3/8-C3/8 L2000	TUBO 3/8 R2 F3/8-C3/8 L2000
14	F03151220	RACCORDO -T- MASCHIO 3/8 ZN	MALE T-UNION 3/8 ZN	RACCORD -T- MALE 3/8 ZN	ANSCHLUSSTsCK-T-GEWINDE 3/8 ZN	UNION -T-MACHO 3/8 ZN
15	G22280116	TUBO 3/8-R2 F3/8-M1/2 MT.1.50	PIPE 3/8-R1 F3/8-M1/2 MT.1-50	TUBE 3/8-R1 F3/8-M1/2 M. 1-50	ROHR 3/8-R1 F3/8-M1/2 M 1-50	TUBO 3/8-R1 F3/8-M1/2 MT.1-50
16	F03151211	RACCORDO OCCHIO 3/8 D.12 L.300	EYE UNION 3/8 D.12 L.300	RACCORD OEIL 3/8 D.12 L.300	TSENVERBINDUNGSSTsCK 3/8 D.12	UNIN OJO 3/8 O.12 L.300 R
17	F03151212	RACCORDO PROLUNGA CORTA 3/8 ZN	SHORT EXTENSION UNION 3/8 ZN	RACCORD RALLONGE COURTE 3/8 ZN	ANSCHL.KURZE VERLZNG. 3/8 ZN	UNIN PROLONG. CORTA 3/8 ZN P
18	F01020479	VITE M10X1,5X35 U5739 8.8 ZN	SCREW M10X1,5X35 U5739 8.8 ZN	VIS M10X1,5X35 U5739 8.8 ZN	SCHR. M10X1,5X35 U5739 8.8 ZN	TORN. M10X1,5X35 U5739 8.8 ZN
19	F01420060	ROS.M10 10,5X 30X2,5 U6593 ZN	WASHER 10,5X30	RONDELLE 10,5X30	SCHEIBE 10,5X30	ARANDELA 10,5X30
20	F01230048	DADO M10X 1,5 D982 8 ZN	NUT M10X 1,5 D982 8 ZN	ECROU M10X 1,5 D982 8 ZN	SCHEIBE M10X 1,5 D982 8 ZN	TUERCA M10X 1,5 D982 8 ZN
21	F03150310	NIPPLO MM CIL-CIL 3/8-1/4 ZN	NIPPLE CYL.MALE3/8-1/4 ZN	NIPPLE MALE CYL.3/8-1/4 ZN	NIPPELZYL.3/8-1/4 ZN	NIPLE MACHO CIL.3/8-1/4 ZN
22	F03150859	CURVA 90°F.GIREV.1/4 - M.1/4	ELBOW 90° F. SWIVEL 1/4 -M.1/4	COUDE 90° F.TOURN.1/4 - M.1/4	KNIESTsCK 90[F.DREHB.1/4 - M.	CURVA 90 F.GIRAT.1/4 - M.1/4
23	F03151217	RACCORDO -T- LATER.M-M-FG 1/4	T M-FG-M LATER.CONNECTION PIPE	RACCORD T M-FG-M 1/4	ANSCHLUSST M-FG-M 1/4	UNION T M-HG-M 1/4
24	G13811211	TUBO X COLLEG. AL TRATTORE	PIPE FOR CONNECTION TO TRACTOR	TUBE POUR CONN. AU TRACTEUR	ROHR F. KUPPLUNG AM SCHLEPPER	TUBO P/CONEXIN AL TRACTOR T
25	F03150211	NIPPLO MM CIL-CIL 1/2-1/4 ZN	NIPLE MM CIL-CIL 1/4-1/2 ZN	NIPLE MM 1/4-1/2 ZN	NIPLE GG 1/4-1/2 ZN	NIPLE MM 1/4-1/2 ZN
26	G22270463	TUB.TR.1/4R2 F-F 1/4 L1500 LM	TUBE TR.1/4R2 F-F1/4 L1500 LM	TUB.TR.1/4R2 F-F 1/4 L1500 LM	ROHR1/4R2 F-F 1/4 L1500 LM	TUB.TR.1/4R2 F-F 1/4 L1500 LM
27	G14219220	CILINDRO DI SPINTA	CYLINDER	CYLINDRE	ZYLINDER	CILINDRO
28	G15210541	TUBO 1/4R2 CF1/4- F1/4 2100				
29	F03151182	OCCHIO FILETTATO CONICO 1/4 G	CONICAL UNION BOLT HOLLOW 1/4	RACCORD VIS CREUSE 1/4 G CONIQ	ANSCHLUSS GEWINDEHOHLSCHR.1/4	UNIN TORNILLO RANURA 1/4 G C+N



SEGNAFI LE PER TELAIO PIEGHEVOLE

TAV. 291

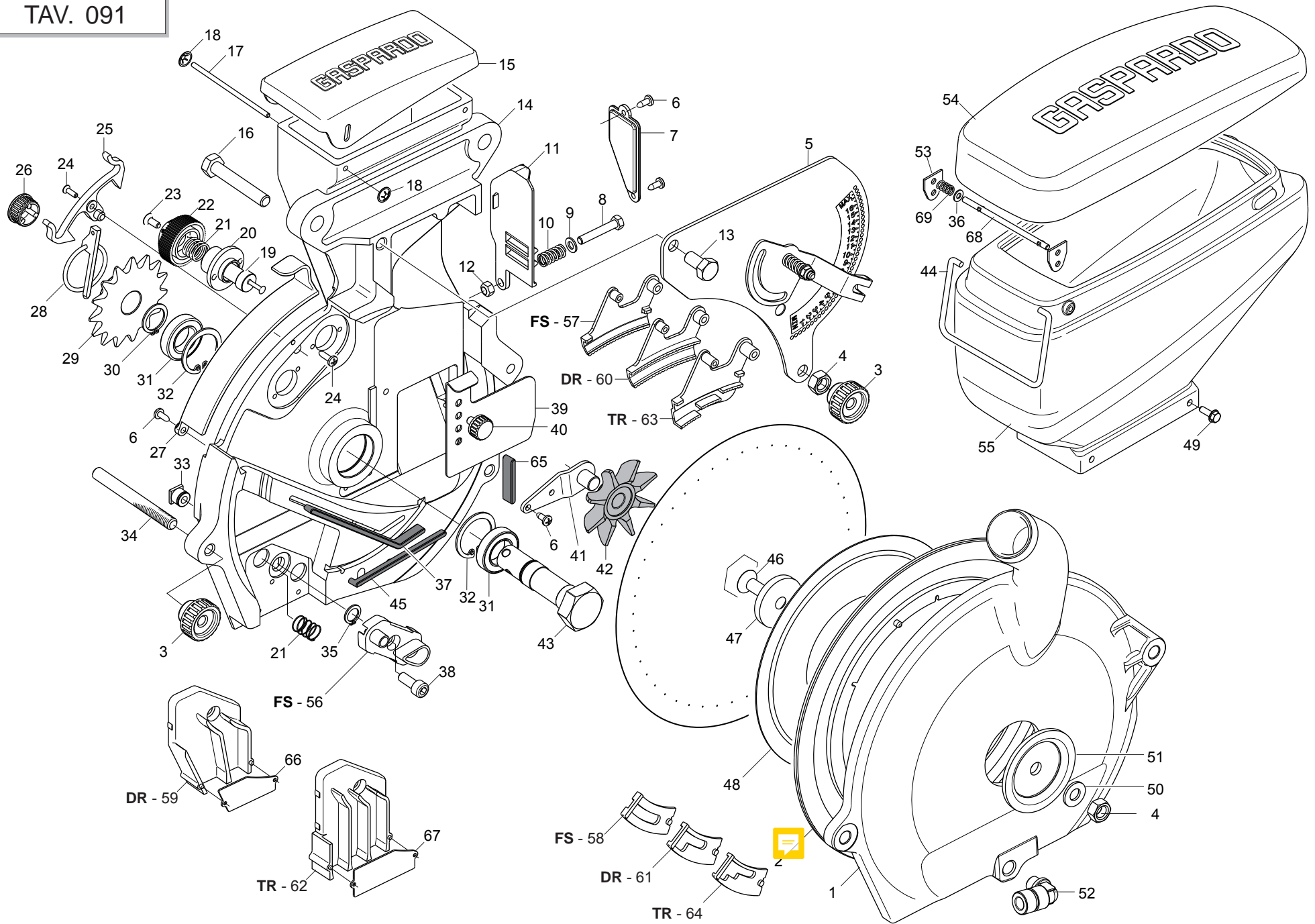
Pos.	Cod.	Descrizione	Description	Description	Benennung	Descripcion
1	G14218073	SUPPORTO DX LUNGO	RIGHT SUPPORT LONG	SUPPORT DRT LONG	HALTERUNG RE LANGES	SOPORTE DER LARGO
2	G14218083	SUPPORTO SX LUNGO	LEFT SUPPORT LONG	SUPPORT GCH LONG	HALTERUNG LI LANGES	SOPORTE IZQ LARGO
3	F01100011	ING.M 6X1 7663-A 9SMNPB28 ZN	GREASE NIPPLE M6X1 7663-A ZN	GRAISS. A BILLE M6X1 7663A ZN	SCHMIERBUICHE M6X1 7663-A ZN	ENGRAS. DE ESFERAS M6X1 7663-A
4	F02200260	COPIGLIA 8X 60 U1336 ZN	SPLIT PIN 8 X60 1336 ZN	GOUPILLE 8 X60 1336 ZN	SPLINT 8 X60 1336 ZN	PASADOR 8 X60 1336 ZN
5	G14218321	BRACCIO SPINTA	PRESS. ARM	POUSSEE BRAS	ARMSCHUB	APRIETE BRAZO
6	G14218112	SECONDO BRACCIO	2.ARM	2.BRAS	2.ARM	2.ARM
7	G14218372	TESTA TERZO BRACCIO	ARM COUPLING	FIXATION BRAS	ARMKUPPLUNG	CONEXIEN BRAZO
8	G14218121	TUBO TERZO BRACCIO	THIRD ARM TUBE	TUBE TROISIEME BRAS	ROHR DRITTER ARM	TUBO TERCER BRAZO
9	G16610222	MONT.DISCO D.320 LIM.	ROWMARKET DISC D.320 ASSEMBLY			
10	G14218190	SPINA ROTAZIONE ZN	ROTATION PIN ZN	GOUPILLE ROTATION ZN	ROTATIONSSTIFT ZN	PASADOR ROTACIEN ZN
11	G14218520	TIRANTE ROTAZIONE	ROTATION TIE ROD	TRINGLE ROTATION	ROTATIONS SPANNSTANGE	ROTATIONS SPANNSTANGE
12	G14218210	REGOLAZIONE TIRANTE	TIE ROD ADJUSTMENT	REGLAGE TIRANT	SPANNSTANGENSTELLUNG	REGULACION TIRANTE
13	G14218470	ASTA ROTAZIONE SUP.	UPPER ROTATION ROD	TIGE DE ROTATION SUP.	ROTATIONSTANGE OBEN	VARILLA DE ROTACIEN SUPERIOR
14	G14218450	ASTA ROTAZIONE INF.	LOWER ROTATION ROD	TIGE DE ROTATION INF.	ROTATIONSTANGE UNTEN	VARILLA DE ROTACIEN INFERIOR
15	G14218750	SPINA D.20 X124 ZN	GALVANIZED PIN D.20 X124	GOUPILLE D.20 X124 ZN	STIFT D.20 X124 ZN	CLAVIJA D.20 X124 ZN
16	G14218162	TIRANTE ROTAZIONE				
17	G14218200	SPINA DI SPINTA ZN	PRESS. PIN	POUSSEE BROCHE	STIFTSCHUB	APRIETE CLAVIJA
18	G14215840	TIRANTE SEGNAFI LE	ROWMARKER TIE ROD	TRINGLE TRACEUR	SPANNSTANGE SPURREISSER	TIRANTE MARCADOR DE FILAS
19	G14218150	PIASTRINA FISSAGGIO CILINDRO	SECURING PLATE	PLAQUE FIXATION	BEFESTIGUNGSPLATTE	PLACA FIJACI-N
20	G14218430	ASTA ROTAZIONE INFERIORE	LOWER ROTATION ROD	TIGE DE ROTATION INF.	ROTATIONSTANGE UNTEN	VARILLA DE ROTACIEN INFERIOR
21	G14218460	ASTA ROTAZIONE SUPERIORE	UPPER ROTATION ROD	TIGE DE ROTATION SUP.	ROTATIONSTANGE OBEN	VARILLA DE ROTACIEN SUPERIOR
22	G14215850	SPINA 20 X194 ZN	GALVANIZED PIN 20 X194	GOUPILLE 20 X194 ZN	STIFT 20 X194 ZN	CLAVIJA 20 X194 ZN
23	G17111290	MANICOTTO DISCO	DISK SLEEVE U BOLT	MANCHON DISQUE	SCHIEBENMUFFE	MANGUITO DISCO
24	G14219030	SUPPORTO ESTERNO DISCO	DISC EXT. SUPPORT	SUPPORT EXT. DISQUE	ZUSSERE HALTERUNG SCHEIBEN	SOPORTE EXT. DISCO
25	G17111330	SCONTRO 90X70 -10 4F11 66X46	STOP TEETH 90X70 -10 4F11 66X4	BUT+E 90X70 -10 4TROUS 11 66X4	ANSCHLAG 90X70 -10 4F11 66X46	DIENTE DE PARADA 90X70 -10 4F1
26	F20120349	PUNTALE Q.50 ALETT.POLIT.NERO	CAP	BOUCHON	DECKEL	CORCHO
27	F02200229	COPIGLIA 5X 45 U1336 ZN	SPLIT PIN 5X 45 U1336 ZN	GOUPILLE 5 X45 1336 ZN	SPLINT 5X 45 U1336 ZN	PASADOR 5 X45 U1336 ZN
28	F20110855	CAV.T.M10X 1,5X 25 46X58,5 ZN				
29	F01020132	VITE M10X1,5X 90 U5737 10,9 ZD	SCREW M10X1,5X90 U5737 10,9 ZN	VIS M10X1,5X90 U5737 10,9 ZN	SCHRA.M10X1,5X90 U5737 10,9 ZN	TORN. M10X1,5X90 U5737 10,9 ZN
30	F01410124	ROS.M20 21X 37X 3 U6592 ZN	WASHER M20 21X37X3 U6592 ZN	RONDELLE M20 21X37X3 U6592 ZN	SCHIBE M20 21X37X3 U6592 ZN	ARANDELA M20 21X37X3 U6592 ZN
31	F05150459	PARACOLPI CIL.75X25 M12 SH70	BUFFER-CYL. 75X25 M12 781103	TAMPON CIL. 75X25 M12 781103	SCHIFFER ZYL. 75X25 M12 781103	PARACHOQ. CIL.75X25 M12 781103
32	F01020544	VITE M14X2X40 U5739 8,8 ZN	BOLT M14X2X40	VIS M14X2X40	SCHRAUBE M14X2X40	TORNILLO M14X2X40
33	G16610210	ASS.LIMITATORE PROFONDITA'	LIMITER DEPTH COUPLING	GR. ASS. LIMITEUR DE PROFONDEU	TIEFENBEGRENZERKOMPLEX	CONJ. LIMITADOR DE PROFUNDIDAD
34	F01020436	VITE M 8X1,25X 20 U5739 8,8 ZN	SCREW M8X1,25X20 U5739 8,8 ZN	VIS M8X1,25X20 U5739 8,8 ZN	SCHRA. M8X1,25X20 U5739 8,8 ZN	TORN. M8X1,25X20 U5739 8,8 ZN
35	F01020252	VITE M16X2X50 U5737 8,8 ZN	SCREW M16X 2X 50 U5737 8,8 ZN	VIS M16X 2X 50 U5737 8,8 ZN	SCHRAUBE M16X2X50 U5737 8,8 ZN	TORNILLO M16X2X50 U5737 8,8 ZN
36	G14217050	TIRANTE SUPPORTO SEGNAF.	ROW MARKER SUPPORT TIE ROD	TRINGLE ROW SUPPORT TRACEUR	SPANNSTANGE HALTERUNG SPURR.	TIRANTE SOPORTE MARCADOR
37	F01020312	VITE M20X2,5X100 U5737 8,8 ZN	SCREW M20X2,5X100 U5737 8,8 ZN	VIS M20X2,5X100 U5737 8,8 ZN	SCHRA.M20X2,5X100 U5737 8,8 ZN	TORN. M20X2,5X100 U5737 8,8 ZN
38	F01020086	VITE M 8X1,25X80 U5737 8,8 ZN	BOLT M8X1X80	VIS M8X1X80	SCHRAUBE M8X1X80	TORNILLO M8X1X80
39	F01200306	DADO M14X 2 U5588 6,8 ZN	NUT M14X2	ECROU M14X2	MUTTER M14X2	DADO M14X2
40	F02100197	SPINA E.P. 14X 50 U6873 C70 BR	PIN E.P. 14X 50 U6873 C70 BR	GOUPILLE E.P. 14X50 U6873 C70	SPANNSTIFT E.P. 14X50 6873 C70	
41	F01230034	DADO M 8X1,25 D982 8	SELF LOCK.NUT M8X1,25 D982 8ZN	ECROU AUTOBL.M8X1,25 D982 8 ZN	SELBST.MUTT.M8X1,25 D982 8 ZN	TUERCA AUTO. M8X1,25 D982 8 ZN
42	F01220048	DADO M12X1,75 D980 8 ZN	NUT M12X1,75 D980 8 ZN	ECROU M12X1,75 D980 8 ZN	SCHIBE M12X1,75 D980 8 ZN	TUERCA M12X1,75 D980 8 ZN
43	F20030078	DECALCOM.CADUTA UTENSILI	øTOOLS FALLING DOWNø TRANSFER	DECALC. CHUTE OUTILS	AUFKLEBERABSTURZ WERKZEUGE	ETIQUETA ADHES. CAIDA HERRAMIE
44	F01230131	DADO M20X 2,5 D982 6 ZN	NUT M20X 2,5 D982 6 ZN	ECROU M20X 2,5 D982 6 ZN	MUTTER M20X 2,5 D982 6 ZN	TUERCA M20X 2,5 D982 6 ZN
45	F01200270	DADO M10X 1,5 U5588 6,8 ZN	NUT M10X 1,5 U5588 6,8 ZN	ECROU M10X 1,5 U5588 6,8 ZN	MUTTER M10X 1,5 U5588 6,8 ZN	TUERCA M10X 1,5 U5588 6,8 ZN
46	G20970142	RONDELLA 32X4X15,5	WASHER 32X4X15-5	RONDELLE 32X4X15-5	UNTERLEGSSCHEIBE 32X4X15-5	ARANDELA 32X4X15-5
47	G18700450	RONDELLA 17 X45 X6 ZN	WASHER 17X45X6 ZN	RONDELLE 17X45X6 ZN	SCHEIBE 17X45X6 ZN	ARANDELA 17X45X6 ZN
48	F02200226	COPIGLIA 5X 25 U1336 ZN	SPLIT PIN 5 X25 1336 GALVAN.	GOUPILLE 5 X25 1336 ZN	SPLINT 5 X25 1336 ZN	PASADOR 5 X25 1336 ZN
49	F02200463	SPINA SCATTO D. 5 B/81 ZN	SNAP PIN D5 B/81 ZN	FICHE A DETENTE D5 B/81 ZN	EINRASTSTIFT D5 B/81 ZN	CLAVIJA DE MUELLE D5 B/81 ZN
50	F02100312	SPINA DI SICUREZZA D.8X45 ZN	SAFETY PIN D.8X45 ZN	FICHE EL.DE SECURITE D.8X45 ZN	SCHRSTSTIFT D.8X45 ZN	CLAVIJA DE SEGURIDAD D.8X45 ZN
51	G16610180	PERNO REGGIDISCO SEGNAF.	ROWMAKER DISC-HOLDER PIN	PIVOT PORTE-DISQUE TRACEUR	SCHIEBENTRAGBOLZEN	PERNO SOPORTE DISCO MARCAFILA
52	G18802790	BOCCOLA 25 X20 X7 ZN B.	BUSHING 25 X20 X7 ZN B.	BOITE 25 X20 X7 ZN B.	B.CHSE 25 X20 X7 ZN B.	CASQUILLO 25 X20 X7 ZN B
53	F01200244	DADO M 8X1,25 U5588 6,8 ZN	NUT M8 X1,25 U5588 6,8 ZN	ECROU M8 X1,25 U5588 6,8 ZN	MUTTER M8 X1,25 U5588 6,8 ZN	TUERCA M8 X1,25 U5588 6,8 ZN
54	G16610160	SUPP.CUSCINETTI DISCO SEGN.ZN.	GALVAN. ROWMARKER DISK BEARING	SUPPORT ROULEMENTS DISQUE TRAC	SCHEIBENLAGERHALTERUNG	SOPORTE COJINETE DE DISCO MARC
55	F04010156	CUSC.d20 D47 B14 6204 2RSH	BEARING d20 D47 B14 6204 2RSH			
56	G18801270	BOCCOLA 21 X25 X12 ZN				
57	F02050370	ANELLO E. DI 47X1,75 U7437 C70	SEEGER RING 47X 1,75 U7437 C70	SEEGER E. 47X 1,75 U7437 C70	SEEGERING E. 47X1,75 U7437 C70	ANILLO E. 47X 1,75 U7437 C70
58	F03010576	ANELLO OR 50,52X1,78 NBR	GASKET OR 50,52X1,78 NBR	BAGUE OR 50,52X1,78 NBR	RING OR 50,52X1,78 NBR	ANILLO OR 50,52X1,78 NBR
59	G16610170	DISCO SEGNAFI LE D.320	ROW MARKER DISK D.320	DISQUE TRACEUR D320	SPURREISSERSCHIBE D. 320	DISCO MARCADOR DE FILAS O 320
60	F01230098	DADO M18X 2,5 D982 8 ZN	NUT M18X 2,5 D982 8 ZN	ECROU M18X 2,5 D982 8 ZN	MUTTER M18X 2,5 D982 8 ZN	TUERCA M18X 2,5 D982 8 ZN
61	G16610190	CHIUSURA CUSCINETTO ZN				
62	F01060040	VITE M8X1,25X20 U5732 4,6 ZG	SCREW M8X1,25X20 U5732 4,6 ZN	VIS M8X1,25X20 U5732 4,6 ZN	SCHRA. M8X1,25X20 U5732 4,6 ZN	TORN. M8X1,25X20 U5732 4,6 ZN
63	F01420048	ROS.M8 8,4X 24X 2 U6593 ZN	WASHER M8 8,4X 24X 2 U6593 ZN	RONDELLE M8 8,4X 24X2 U6593 ZN	SCHIBE M8 8,4X 24X 2 U6593 ZN	ARANDELA M8 8,4X 24X2 U6593 ZN
64	G16242560	PARACOLPI 30X8 M8X30	BUFFER 30X8 M8X30	PARE-CHOC30X8 M8X30	STOSSZIMPFER 30X8 M8X30	PARAGOLPES 30X8 M8X30
65	G14218233	SUPPORTO DX CORTO	RIGHT SUPPORT SHORT	SUPPORT DRT COURT	HALTERUNG RE KURZER	SOPORTE DER CORTO
66	G14218243	SUPPORTO SX CORTO	LEFT SUPPORT SHORT	SUPPORT GCH COURT	HALTERUNG LI KURZER	SOPORTE IZQ CORTO
67	G14217020	BOCCOLA 15 X35 X80	BUSHING 15 X35 X80	BOITE 15 X35 X80	B.CHSE 15 X35 X80	CASQUILLO 15 X35 X80
68	F01020218	VITE M14X2X130 U5737 8,8 ZN	SCREW M14X 2X130 5737 8,8 ZN	VIS M14X130	SCHRAUBE M 14X130	TORNILLO M 14X130
69	G14218982	SECONDO BRACCIO CORTO				
70	G14219001	TUBO TERZO BRACCIO CORTO	THIRD ARM TUBE SHORT	TUBE TROISIEME BRAS COURT	ROHR DRITTER ARM KURZER	TUBO TERCER BRAZO CORTO
71	G14218162	TIRANTE ROTAZIONE				



IMPIANTO SEGNAFILE PER TELAIO PIEGHEVOLE

TAV. 311

Pos.	Cod.	Descrizione	Description	Description	Benennung	Descripcion
1	G14218300	CILINDRO SEGNAFILE	ROW MARKER CYLINDER	CYLINDRE TRACEUR	SYLINDER REIHENANREISSER	CILINDRO MARCADOR DE FILAS
2	F01500012	RONDELLA IN RAME 1/4"	WASHER 13 X19X1,5 - 1/4"	RONDELLE	SCHEIBE	ARANDELA
3	G16011690	NIPPLO MM 1/4-1/4 FORO 1,0	UPRIGHT 1/4" NIPPLE WITH GRUB	MONTANT NIPPLE 1/4 AVEC GRAIN	STZNDER NIPPEL 1/4 MIT STIFT 8	MONT.NIPLE 1/4 TORNIL.SIN CABE
4	G16012650	TUBO R2 1/4 C-F L.4000	PIPE 1/4 R2 C-F 1/4 L.4000	TUBE 1/4 R2 C-F 1/4 L. 4000	ROHR 1/4 R2 C-F 1/4 L 4000	TUBO 1/4 R2 C-F 1/4 L.4000
5	F03150266	NIPPLO MM CIL-CIL 1/4-1/4 ZN	NIPPLE GALV.CYL.MALE 1/4 ZN	NIPPLE MALE CYL. 1/4 ZN	NIPPELZYL.1/4 ZN	NIPLE MACHO CIL.1/4 ZN
6	F03151226	REGOL.DI FLUSSO VRF 1/4' GAS	1/4' GAS VALVE VRF	SOUPAPE REG DEBIT VRF 1/4" GAZ	VENITL VRF 1/4' GAS	VæLVULA VRF 1/4' GAS
7	F03150859	CURVA 90°F.GIREV.1/4 - M.1/4	ELBOW 90° F. SWIVEL 1/4 -M.1/4	COUDE 90° F.TOURN.1/4 - M.1/4	KNIESTsCK 90[F.DREHB.1/4 - M.	CURVA 90 F.GIRAT.1/4 - M.1/4
8	G14218300	CILINDRO SEGNAFILE	ROW MARKER CYLINDER	CYLINDRE TRACEUR	SYLINDER REIHENANREISSER	CILINDRO MARCADOR DE FILAS
9	G13811211	TUBO X COLLEG. AL TRATTORE	PIPE FOR CONNECTION TO TRACTOR	TUBE POUR CONN. AU TRACTEUR	ROHR F. KUPPLUNG AM SCHLEPPER	TUBO P/CONEXIN AL TRACTOR T
10	G22270463	TUB.TR.1/4R2 F-F 1/4 L1500 LM	TUBE TR.1/4R2 F-F 1/4 L1500 LM	TUB.TR.1/4R2 F-F 1/4 L1500 LM	ROHR1/4R2 F-F 1/4 L1500 LM	TUB.TR.1/4R2 F-F 1/4 L1500 LM
11	F03151245	RUBINETTO F-F 1/4	COCK F.-F. 1/4"	ROBINET F.-F. 1/4"	HAHN F.-F. 1/4"	GRIFO H.-H. 1/4"
12	F03150211	NIPPLO MM CIL-CIL 1/2-1/4 ZN	NIPLE MM CIL-CIL 1/4-1/2 ZN	NIPLE MM 1/4-1/2 ZN	NIPLE GG 1/4-1/2 ZN	NIPLE MM 1/4-1/2 ZN
13	F03151237	ROS. 21 X27X1,5 RAME -1/2"	COPPER WASHER 21X27X1,5 1/2	RONDELLE CUIVRE 21X27X1,5 1/2	SCHEIBE KUPFER 21X27X1,5 1/2	ARANDELA COBRE 21X27X1,5 1/2
14	F03150935	INNESTO RAP.MASCH.1/2 A VALV.	QUICK CONNECT MALE CONE 1/2	CONNEXION RAPIDE MALE CONE 1/2	SCHNELLKUPP.GEWINDE KONISC 1/2	ACOPLAMIENT.RAP.MACHO CONO 1/2
15	F05150325	CAPPUC.F X INN.M RAP.1/2 ROSSO	COVER CONNECT F 1/2 RED	COUVERCLE CONNEXION F 1/2 ROSE	DECKEL W 1/2 SCHNELLKUPP. ROT	PAC PROTECCION F 1/2 ROJO
16	F03151216	RACCORDO -T- CENTR.M-FG-M 1/4	UNION T M-M-F 1/4' ZN	RACCORD T M-M-F 1/4' ZN	ANSCHLUSStsCK TM-M-F 1/4' ZN	UNIN T M-M-F 1/4' ZN R
17	F05010359	PASSAPARETE 1/4M-1/4M	PASS WALL 1/4M -1/4M			
18	G16611050	VALVOLA SEGNAFILE CN COMPL	ROWMARKER VALVE ASSY.	SOUPAPE TRACEUR COMPL.	KOMPL. SPURREISSERVENTIL	V-LVULA MARC. DE FILAS COMPL
19	G19702880	DECAL.MOVIMENT.SEGNAFILE	STICKER	DECALCOMANIE	ABZIEHBILDER	CALCOMANIAS
20	G14217082	SUPPORTO VALVOLA	VALVE SUPPORT	SUPPORT SOUPAPE	VENTILHALTERUNG	SOPORTE V+LVULA
21	F01020068	VITE M 8X1,25X40 U5737 8.8 ZN	SCREW M8X1,25X40 U5737 8.8 ZN	VIS M 8X1,25X40 U5737 8.8 ZN	SCHRA. M8X1,25X40 U5737 8.8 ZN	TORNIL.M8X1,25X40 U5737 8.8 ZN
22	F01410051	ROS.M8 8,4X 17X1,6 U6592 ZN	WASHER M8 8,4X17X1,6 U6592 ZN	RONDEL. M8 8,4X17X1,6 U6592 ZN	SCHEIBE M8 8,4X17X1,6 U6592 ZN	ARANDELA M8 8,4X17X1,6 U6592ZN
23	F01200244	DADO M 8X1,25 U5588 6.8 ZN	NUT M8 X1,25 U5588 6.8 ZN	ECROU M8 X1,25 U5588 6.8 ZN	MUTTER M8 X1,25 U5588 6.8 ZN	TUERCA M8 X1,25 U5588 6.8 ZN

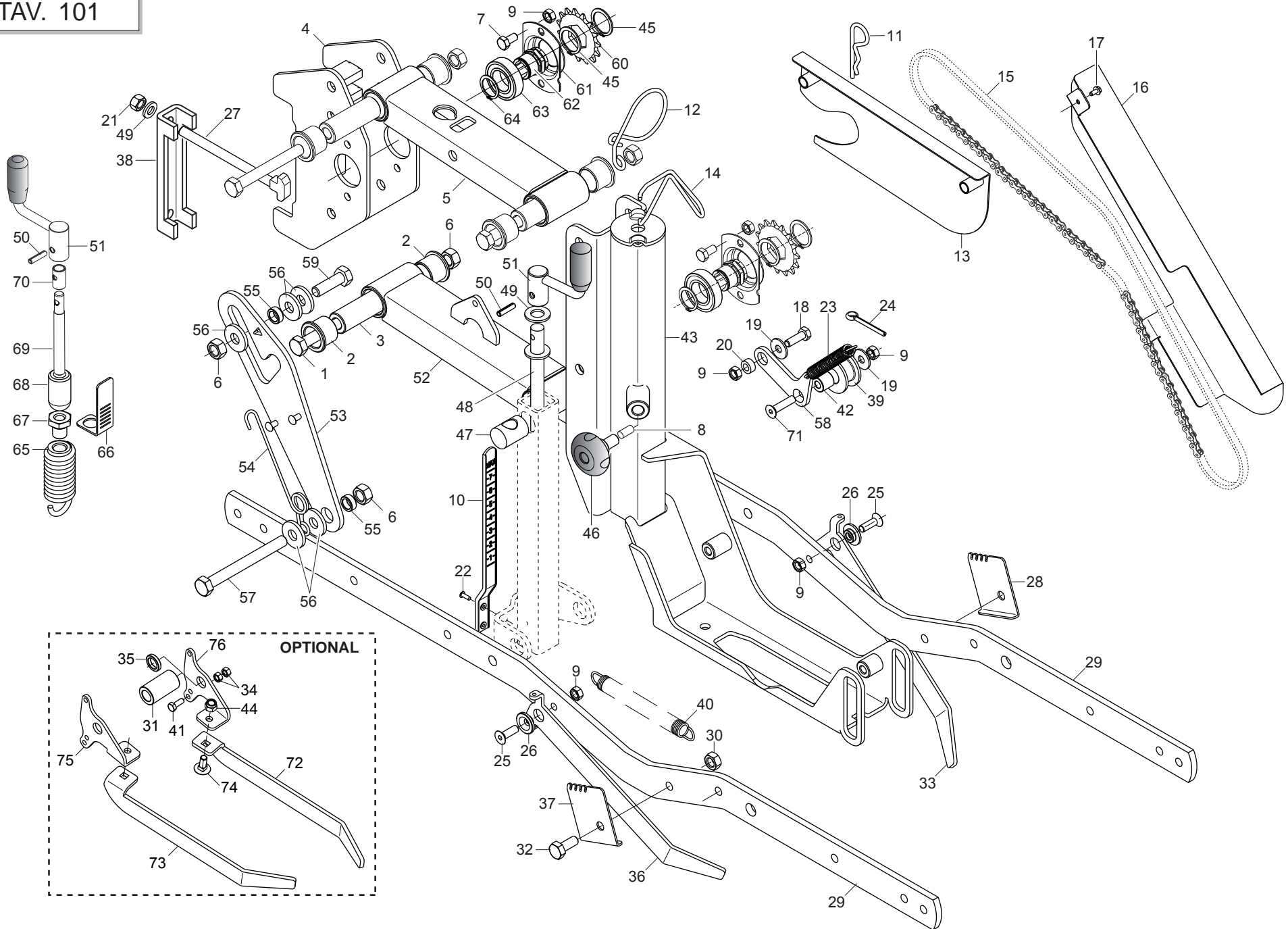


DISTRIBUTORE SEMI

TAV. 091

Pos.	Cod.	Descrizione	Description	Description	Benennung	Description
1	G15826062	COPERCHIO CORPO DISTR.R1"LAV."				
2	G19005920	GUARNIZIONE COPERCHIO				EMPAQUES DE CUBIERTA
3	F06220037	VOLANTINO ZIGR.D.26-M8 FEM				FOLLETO ZIGR.D.26-M8
4	F01200244	DADO M 8X1,25 U5588 6.8 ZN	NUT M8 X1,25 U5588 6.8 ZN	ECROU M8 X1,25 U5588 6.8 ZN	MUTTER M8 X1,25 U5588 6.8 ZN	TUERCA M8 X1,25 U5588 6.8 ZN
5	G15829600	GRUPPO SELETTORE COMPL				
6	F01070047	VITE M3,5X1,34X9,5 U6954 4.8NI	BOLT 3-5X 9-5 DIN 7981	VIS 3-5X 9-5 DIN 7981	SCHRAUBE 3-5X 9-5 DIN 7981	TORNILLO 3-5X 9-5 DIN 7981
7	G19004640	FINESTRA LIVELLO SEME "R"	SEED LEVEL OPENING "R"	FENETRE DE NIVEAU DES GRAINES	SAMENINSPEKTIONSFENSTER "R"	VENTANA DE NIVEL SEMILLAS
8	F01020383	VITE M5X0,8X30 U5739 8.8 ZN	SCREW M5X 0,8X 30 U5739 8.8 ZN	VIS 5X30 5739 8.G ZN	SCHRAUBE 5X30 5739 8.G ZN	TORNILLO 5X30 5739 8.G ZN
9	F01410023	ROS.M5 5,3X 10X 1 U6592 ZN	WASHER D5 UNI 6592 ZN	RONDELLE D5 UNI 6592 ZN	UNTERLEGSCHLEIBE D5 UNI 6592 ZN	ARANDELA D5 UNI 6592 ZN
10	G18904240	MOLLA APERTURA PORTA CONTROLLO	SPRING	RESSORT	FEDER	MUELLE
11	G19004880	FINESTRA DISTRIBUTORE	DISTRIBUTOR OPENING	DISTRIBUTOR DISTRIBUTEUR	VERTEILERFENSTER	VENTANA DISTRIBUIDOR
12	F01230019	DADO M 5X 0,8 D982 8 ZN	NORM.SELF-LOCKING NUT 5 GALVAN	ECROU AUTOB.NOR.5 ZN	SELBSTSP.MUTTER NOR.5 ZN	TUERCA AUTOB. NOR. 5 ZN
13	F01020429	VITE M 8X1,25X14 U5739* 8.8 ZN	BOLT 8X14 5739 8.G GALVANIZ.	VIS 8X14 5739 8.G ZN	SCHRAUBE 8X14 5739 8.G ZN	TORNILLO 8X14 5739 8.G ZN
14	G15826052	CORPO DISTRIBUTORE R1 "LAVOR."				
15	G19005610	COPERCHIO TRAMOGGIA DISTRIBUT.	SEED DISTRIBUTOR COVER			
16	F01020452	VITE M 8X1,25X50 U5739 8.8 ZN	SCREW M8X1,25X50 U5739 8.8 ZN	VIS M8X1,25X50 U5739 8.8 ZN	SCHRA. M8X1,25X50 U5739 8.8 ZN	TORN. M8X1,25X50 U5739 8.8 ZN
17	G15828220	PERNO COPERCHIO DISTRIB.ZN	DISTRIBUTOR COVER PIN	PIVOT COUVERCLE DISTRIBUTEUR	BOLZEN DECKEL SZAPPARAT	PERNO TAPA DISTRIBUIDOR
18	F02050649	FISSATORE ELAST.ALBERO D.3 S.S	D.3 S.S ELASTIC SHAFT FASTENE	FIXATEUR ELAST. ARBRE D.3 S.S	WELLE, ELASTISCHE BEFESTIGUNG	FIJADOR EL-STICO -RBOL D.3.S.S
19	G22250145	PUNTA SELETTORE ECCENTRICO SV				SELECTOR EXCENTRICO SV
20	G15825840	SUPPORTO SELETTORE SEM.ORTAG.				
21	G18901220	MOLLA COMP.SELETT.ECCEN. SV				
22	G19002121	POMELLO GRADUATO SELET.ECC.SV				
23	F01030011	VITE M4X0,7X10 U5933 10.9 ZD				
24	F01070049	VITE M3,5X1,27X13 U6954 4.8NI	BOLT 3,5X1,27X 13 6954 4.8NI	VIS 3,5X1,27X 13 6954 4.8NI	SCHRAUBE 3.5X1.27X 13 6954 4.8	TORNILLO 3.5X1.27X 13 6954 4.8
25	G19004580	SCATTO SELETTORE DR "R"				
26	F05100190	TAPPO FORO SELETTORE >	SELECTOR HOLE PLUG	BOUCHON TROU SELECTEUR	PFFROPFEN LOCHWZLER	TAPN AGUJERO SELECTOR
27	G19203870	PORTELLINO ISPEZIONE DISCO	DISC INSPECTION DOOR			
28	F02200463	SPINA SCATTO D. 5 B/81 ZN	SNAP PIN D5 B/81 ZN	FICHE A DETENTE D5 B/81 ZN	EINRASTSTIFT D5 B/81 ZN	CLAVIJA DE MUELLE D5 B/81 ZN
29	G15827421	INGRANAGGIO Z.15 COMPL.				
30	F02050056	ANELLO E. DE 17X 1 U7435 C70	SEEGER RING E. 17X 1 U7435 C70	SEEGER E. 17 X 1 U7435 C70	SEEGERING E. 17X 1 U7435 C70	INEL E 17X 1 U7435 C70
31	F04010308	CUSC.D17 D30 B7 61903 2RS1>	BEARING 61903-2RS1	PALIER 61903-2RS1	LAGER 61903-2RS1	COJINETE 61903-2RS1
32	F02050293	ANELLO E. DI 30X 1,2 U7437 C70	SEEGER RING 30X1,2 U7437 C70	SEEGER E. 30X 1,2 U7437 C70	SEEGERING E. 30X 1,2 U7437 C70	ANILLO E. 30 X1,2 U7437 C70
33	G15829490	PERNO ESPULSORE				
34	G10521111	PRIGIONIERO CORPO DISTR.	DISTR. CASING STUD BOLT . SV	PRISONNIER CORPS DISTRIB.	STIFTSCHRAUBE SZAPPARATKTRPER	TIRANTE CUERPO DISTR.
35	F02050651	ANELLO E. DE 10X 1 U7435 C70	SEEGER RING ARR.10 U7435-75	SEEGER ARR. 10 UNI 7435-75	SEEGERING ARR.10 UNI 7435-75	ANILLO ARR.10 UNI 7435-75
36	F01410011	ROS.M4 4,3X 9X0,8 U6592 ZN	PLANE WASHER 4,5X 9 6592	RONDELLE 4,5X 9 6592	SCHLEIBE 4,5X 9 6592	ARANDELA 4,5X 9 6592
37	G19004650	GUARNIZIONE SEME "R"	SEED SEAL "R"	GARNITURE GRAINES "R"	SAMEN DIHCHTUNG "R"	JUNTA SEMILLAS "R"
38	F01040060	VITE M6X1X14 U5931 8.8 ZN	BOLT 6X14 5931 8.G GALVANIZED	VIS 6X14 5931 8.G ZN	SCHRAUBE 6X14 5931 8.G ZN	TORNILLO 6X14 5931 8.G ZN
39	G15826040	PORTELLO ALIMENTAZIONE	POWER FLAP	PORTILLON ALIMENTATION	ZUF_HRUNGSDECKEL	REGISTRO ALIMENTACIEN
40	F06220036	VOLANTINO ZIGR. D.15-M5 X10 >	KNURLED FLYWHEEL D.15-M5 X10	VOLANT CANNEL+ D.15-M5 X10	GER-ND. HANDRAD D.15-M5 X10	VOLANTE ESTR. D.15-M5 X10
41	G10521094	SUPPORTO AGITATORE ORIETTA	AGITATOR SUPPORT ORIETTA			
42	G15828430	ASS.AGITATORE R				
43	G15828391	TRASCINATORE D				
44	G15882120	CERNIERA COPERCHIO IX				
45	G19005620	GUARNIZIONE CAVA DISCO "R"	GASKET FOR DISC R			
46	F01030055	VITE M 8X1,25X20 U5933 10.9 ZD	SCREW M8X1,25X20 U5933 10.9 ZD	VIS M 8X20	SCHRAUBE M 8X20	TORNILLO M 8X20
47	G18701890	RONDELLA D.8,5 SVASATA ZN	FLARED WASHER D.8.5 ZN.	RONDELLE D.8,5 +VAS+E ZN.	F-CHERSCHLEIBE D.8,5 ZN.	ARANDELA I 8,5 ABOCINADA ZN.
48	G15828290	CAPPELLOTTA TENUTA GUARNIZ.DR				
49	F01070078	VITE M4,2X1,41X13 U6950 4.8ZN	SELFTHREADING BOLT 4,2X13 TE	VIS AUTOTARADEUSE.4-2X13 TE	SELBSTSCHNEID. SCHRAUBE 4-2X13	TORNILLO AUTOR.4-2X13 TE
50	F01430059	ROS.M8 8,4X 15X0,8 U8842J ZN	WASHER M8 8,4X15X0,8 U8842J ZN	ROND. M8 8,4X 15X0,8 U8842J ZN	SCHLEIBE M8 8,4X15X0,8 U8842JZN	ARAND. M8 8,4X15X0,8 U8842J ZN
51	G16620470	TAPPO CENTRALE H=7,5	CENTRAL PLUG H=7.5	BOUCHON CENTRAL H=7,5	ZENTRALER PFFROPFEN H=7,5	TAPEN CENTRAL H=7,5
52	F03151196	RACC.SUPERAPIDO 90° 1/8G-8				
53	G15882430	PIASTA RINF.COPERCHIO TRAM. IX				
54	G19006100	COPERCHIO				
55	G19006090	RIALZO TRAMOGGIA				
56	G19004891	ESPULSORE SEME FS ORIETTA	SEED EJECTOR SR ORIETTA			
57	G19005530	PATTINO SELETTORE FS				
58	G19005930	TASSELLO FS				
59	G19005022	ESPULSORE SEME DR ORIETTA	SEED EMISSION DR ORIETTA			
60	GA5820110	PATTINO SELETTORE DR LAV.				
61	G19005940	TASSELLO DR	CAP DOUBLE ROW			
62	G19005880	ESPULSORE SEME 3F				
63	G19005550	PATTINO SELETTORE 3F				
64	G19005950	TASSELLO TR				
65	G19006350	PATTINO DISCO				
66	G15881540	CARTERINO ESPULSORE DR				
67	G15881550	CARTERINO ESPULSORE TR				
68	G15882540	ASSE FISS.COPERCHIO RIALZO IX				
69	G65338044	MOLLA COMP.ZN PRESS.SELETT. SV	ZN SELCT. PRESS. COMP. SPRING	RESSORT COMPL. ZN PRESS. SELEC	DRUCKFEDER ZN WZHLERDRUCK SV	MUELLE COMP.ZN PRES. SELECT. S

TAV. 101

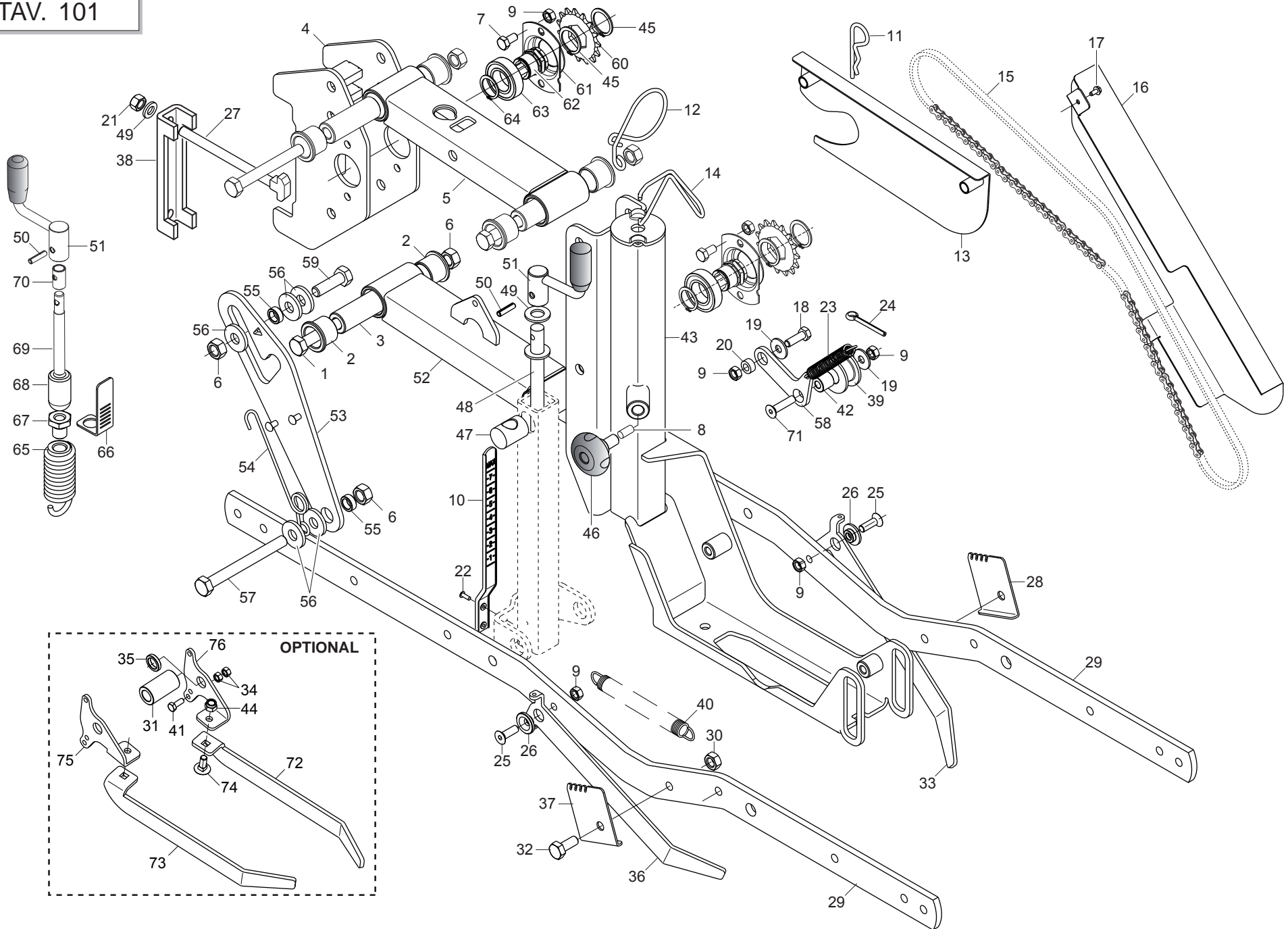


TELAIO ELEMENTO

TAV. 101

Pos.	Cod.	Descrizione	Description	Description	Benennung	Descripcion
1	F01020170	VITE M12X1,75X100 5737 8.8 ZN	SCREW M12X1,75X100 5737 8.8 ZN	VIS M12X1,75X100 5737 8.8 ZN	SCHRA.M12X1,75X100 5737 8.8 ZN	TORN. M12X1,75X100 5737 8.8 ZN
2	G66349003	BOCCOLA SINT.	BUSHING- SINTERED	BOITE FRITTEE	SYNTH. BUECHSE	CASQUILLO SINT.
3	G22250405	PERNO BRACCIO INFERIORE SV/2	PIN- LOWER ARM SV/2	PIVOT BRAS INF. SV/2	ZAPFEN UNTERER ARM SV/2	PERNO BRAZO INFERIOR SV/2
4	G15828250	ATTACCO TELAI0	FRAME COUPLING	FIXATION BATI	KUPPLUNG RAHMEN	CONEXIN BASTIDOR
5	G15827900	BRACCIO SUP.PARALLELOGRAMMA				
6	F01220048	DADO M12X1,75 D980 8 ZN	NUT M12X1,75 D980 8 ZN	ECROU M12X1,75 D980 8 ZN	SCHEIBE M12X1,75 D980 8 ZN	TUERCA M12X1,75 D980 8 ZN
7	F01020432	VITE M 8X1,25X16 U5739 8.8 ZN	SCREW M8X 1.25X16 U5739 8.8 ZN	VIS M 8X16	SCHRAUBE M 8X16	TORNILLO M 8X16
8	G14820991	FERMO REGOLAZIONE	ADJUSTMENT STOP	BUTEE REGLAGE	EINSTELLUNGSSPERRE	BLOQUEO REGULACIÖN
9	F01200244	DADO M 8X1,25 U5588 6.8 ZN	NUT M8 X1,25 U5588 6.8 ZN	ECROU M8 X1,25 U5588 6.8 ZN	MUTTER M8 X1,25 U5588 6.8 ZN	TUERCA M8 X1,25 U5588 6.8 ZN
10	F19003400	ASTA INDICAZIONE PROFONDITA'	DEPTH INDICATING ROD	TIGE INDICATION PROFONDEUR	TIEFENANZEIGESTAB	VARILLA INDICACIÖN PROFUNDIDAD
11	F02200363	COPIGLIA R 3X 62 ZN	SPRING SPLIT PIN 3X 62 ZN	GOUPILLE R 3X62	SPLINT R 3X62	CHAVETA R 3X62
12	G18903140	MOLLA GUIDATUBO	PIPE GUIDE SUPPORT	RESSORT GUIDE-TUBE	FEDER ROHRFöHRUNG	MUELLE GUA TUBOS A
13	G15827930	CARTER ANT.				
14	G65336100	MOLLA SPEC.FERMO MANIGLIA SP	SPEC SPRING HANDLE STOP SP	RESSORT SPEC. ARRET POIGNEE SP	SPEZIALFEDER GRIFFSPERRE SP	MUELLE ESPEC. BLOQUEO MANIJA S
15	F06080223	SP.CAT.1/2-3/16 108M.ISO 083-1				
16	G15881270	CARTER LATERALE				
17	F01070011	VITE M4,2X1,41X9,5 U6950 4.8NI	BOLT- SELF-TAPPING 4-2X9-5T.E.	VIS AUTOTAR. 4-2X9-5 T. E. COU	SELBSTSCHNEID. SCHRAUBE 4-2X9-	TORNILLO AUTORROSC. 4-2X9-5
18	F01020440	VITE M 8X1,25X25 U5739 8.8 ZN	BOLT M8X1,25X25 U5739 8.8 ZN	VIS M8X1,25X25 U5739 8.8 ZN	SCHRA. M8X1,25X25 U5739 8.8 ZN	TORNIL.M8X1,25X25 U5739 8.8 ZN
19	F01420048	ROS.M8 8,4X 24X 2 U6593 ZN	WASHER M8 8,4X 24X 2 U6593 ZN	RONDELLE M8 8,4X 24X2 U6593 ZN	SCHEIBE M8 8,4X 24X 2 U6593 ZN	ARANDELA M8 8,4X 24X2 U6593 ZN
20	G20980050	BOCCOLA 15X7X8,5 ZN	BUSHING 15X7X8-5 ZN	BOITE 15X7X8-5 ZN	BsCHSE 15X7X8-5 ZN	CASQUILLO 15X7X8-5 ZN
21	F01200306	DADO M14X 2 U5588 6.8 ZN	NUT M14X 2 U5588 6.8 ZN	ECROU M14X2	MUTTER M14X2	DADO M14X2
22	F02250077	RIVETTO STR. 3X 14 U9200A AL	3X14 ALUMINIUM PULL RIVET	RIVET A RUPTURE 3X14 ALUMINIUM	REISSNIETE3X14 ALL.	REMACHE DESGAR. 3X14 ALL.
23	G65337035	MOLLA TENDICATENA RUOTA DP				RESORTE TENSION CADENA DE RUED
24	F02200165	COPIGLIA 3X 35 U1336 ZN	SPLIT PIN 3 X35 1336 GALVAN.	GOUPILLE 3 X 35 1336 ZN	SPLINT 3 X35 1336 ZN	PASADOR 3 X35 1336 ZN *
25	F01030056	VITE M 8X1,25X25 U5933 10.9 ZD	BOLT 8X25 5933 10.9 GALVANIZED	VIS 8X25 5933 10.9 ZN	SCHRAUBE 8X25 5933 10.9 ZN	TORNILLO 8X25 5933 10.9 ZN
26	G15821110	BOCCOLA SUPPORTO COPRISEME	SEED COVER SUPP. BUSHING	BOITE SUPPORT COUVRE-SEMENCE	BsCHSE SAMENABDECKERHALTER.	CASQUILLO SOPORTE CUBRESEMILLA
27	G16610010	VITE A MARTELLO M14X165	WINGED SCREW M14X165	VIS A TETE MARTEAU M14X165	ZWEIFLÖGEL- SCHRAUBEN M14X165	TORNILLO DE MARIPOSA M14X165
28	G15829970	ATTACCO DX MOLLA COPRISEME				
29	G15829820	BRACCIO BILANCIERE				
30	F01200270	DADO M10X 1,5 U5588 6.8 ZN	NUT M10X 1,5 U5588 6.8 ZN	ECROU M10X 1,5 U5588 6.8 ZN	MUTTER M10X 1,5 U5588 6.8 ZN	TUERCA M10X 1,5 U5588 6.8 ZN
31	G19006460	DISTANZIALE D15-25X45				
32	F01020472	VITE M10X1,5X25 U5739 8.8 ZN	BOLT 10X25 5739 8.G GALVANIZED	VIS 10X25 5739 8.G ZN	SCHRAUBE 10X25 5739 8.G ZN	TORNILLO 10X25 5739 8.G ZN
33	G15881090	COPRISEME DX				
34	F01200232	DADO M 6X 1 U5588 6.8 ZN	NUT 6 UNI 5588 6.8 GALVANIZED	ECROU 6 UNI 5588 6.8 ZN	MUTTER 6 UNI 5588 6.8 ZN	TUERCA 6 UNI 5588 6.8 ZN
35	G19005300	DISTANZIALE 15X22X4,5				
36	G15881080	COPRISEME SX				
37	G15829960	ATTACCO SX MOLLA COPRISEME				
38	G15110091	SCONTRO A U	STRIKER	BRIDE 150 MM	ANSCHLAG	ELEMENTO DE EMPALME
39	G19005110	RULLO TENDICATENA				RODILLO TENSION CADENA
40	G18902520	MOLLA TRAZ.ZN RASCHIATERRA				RESORTE TRAZ.ZN RASTRILLO
41	F01020403	VITE M6X1X16 U5739 8.8 ZN	SCREW M6X1X16 U5739 8.8 ZN	VIS M6X1X16 U5739 8.8 ZN	SCHRAUBE M6X1X16 U5739 8.8 ZN	TORNILLO M6X1X16 U5739 8.8 ZN
42	G18801450	BOCCOLA 8,25 X18 X17	BUSHING 8,25 X 18 X 17	BOITE 8,25 X18 X17	BsCHSE 8,25 X18 X17	CASQUILLO 8,25 X18 X17
43	G15829790	ASS.TELAIETTO SEMINATORE				
44	F01230034	DADO M 8X1,25 D982 8	SELF LOCK.NUT M8X1,25 D982 8ZN	ECROU AUTOBL.M8X1,25 D982 8 ZN	SELBST.MUTT.M8X1,25 D982 8 ZN	TUERCA AUTO. M8X1,25 D982 8 ZN
45	F02050615	ANELLO E. DE 28X 1,5 U7435 C70	STOP RING 28 UNI 7435-75	BAGUE DE SERRAGE 28 UNI 7435-7	DRAHTSPRENGRING 28 UNI 7435-75	ANILLO PARADA 28 UNI 7435-75
46	F06220010	VOLANTINO 4 LOBI M12X25	8-LOBE HANDWHEEL M12X25	VOLANT 8 LOBES M12X25	HANDRAD 8 BUCKEL M12X25	VOLANTE 8 LOBI M12X25
47	G22230063	ELEMENTO ARTICOLATO	ARTICULATED ELEMENT	ELEMENT ARTICULE	ELEMENKT ELEMENT	ELEMENTO ARTICULADO
48	G22230062	VITE DI REGOLAZIONE	ADJUSTMENT BOLT	VIS DE REGLAGE	EINSTELLSCHRAUBE	TORNILLO DE REGULACIN S
49	F01410088	ROS.M14 15X 28X2,5 U6592 ZN	WAS.M14 15X 28X2,5 U6592 ZB	RON.M14 15X 28X2,5 U6592 ZB	SCH.M14 15X 28X2,5 U6592 ZB	ARA.M14 15X 28X2,5 U6592 ZB
50	F02100109	SPINA E.P. 6X 24 U6873 C70 BR	PIN EL. .6 X24 DIN 1481	FICHE EL. 6 X24 DIN 1481	SPANNSTIFT 6 X24 DIN 1481	CLAVIJA EL.6 X24 DIN 1481
51	G22270235	MANIGLIA REGOLAZIONE B4	ADJUSTMENT HANDLE B4	POIGNEE REGLAGE B4	EINSTELLGRIFF B4	MANIJA REGULACIN B4 M
52	G15827940	BRACCETTO INF.				
53	G15829681	ASTAAGGANCIO				
54	G18902880	MOLLA FERMO PARALLELO SP				
55	G20980082	BOCCOLA 18X7X12,25	BUSHING 18X7X12-25	BOITE 18X7X12-25	BsCHSE 18X7X12-25	CASQUILLO 18X7X12-25

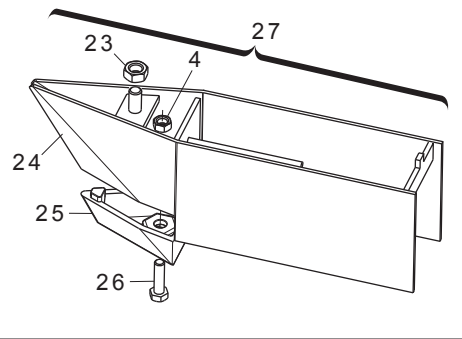
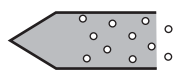
TAV. 101



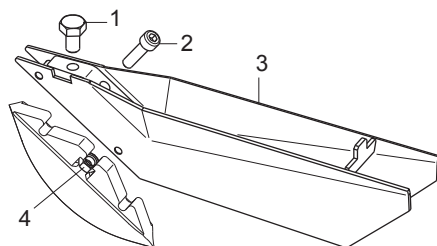
TELAIO ELEMENTO
TAV. 101

Pos.	Cod.	Descrizione	Description	Description	Benennung	Descripcion
56	G20970035	RONDELLA 32X4X13	WASHER 32X4X13	RONDELLE 32X4X13	UNTERLEGSCHIEBE 32X4X13	ARANDELA 32X4X13
57	F01020174	VITE M12X1,75X120 5737 8.8 ZN				
58	G15881320	BRACCIO TENDICATENA				
59	F01020528	VITE M12X1,75X40 U5739 10.9 ZD	SCREW M12X1,75X40 U5739 10.9ZN	VIS M12X1,75X40 U5739 10.9 ZN	SCHR.M12X1,75X40 U5739 10.9 ZN	TORN.M12X1,75X40 U5739 10.9 ZN
60	G22250190	CORONA ASSE SEMINAT.Z-15 SV	PLANTING UNIT AXLE Z-15 RING G	COURONNE AXE SEMEUR Z-15 SV	KRANZ SZELEMENTACHSE Z-15 SV	CORONA EJE SEMBR. Z-15 SV
61	G15725030	SUPPORTO CUSCINETTO	BEARING SUPPORT	SUPPORT PALIER	LAGERHALTERUNG	SOPORTE COJINETE
62	G22250441	MOZZO CORONA SEMINATORE SV/2	PLANTING UNIT CROWN HUB SV/2	MOYEU COURONNE SEMEUR SV/2	KRANZNABE SZELEMENT SV/2	CUBO CORONA SEMBRADOR SV/2
63	F04010135	CUSC.D25 D47 B12 6005 2RS EX>	BEARING D25 D47 B12 6005 2RS	0		
64	F02050101	ANELLO E. DE 25X 1,2 U7435 C70	SEEGER RING E. 25X1,2 7435 C70	SEEGER E. 25X 1,2 U7435 C70	SEEGERING E. 25X 1,2 U7435 C70	ANILLO E. 25X 1,2 U7435 C70
65	G15828660	ASS.MOLLA ALLEGGERIMENTO	LIGHTENING SPRING COUPLING	ASS. RESSORT ALLEGEMENT	ERLEICHTERUNGSFEDERKOMPLEX	CONJ. MUELLE DE ALIGERAMIENTO
66	G15829290	INDICE MOLLA PARALLELOGR. ZN				
67	G15220120	VITE REGOLAZIONE ZN	REGULATION BOLT	VIS RÉGLAGE ZN	STELLSCHRAUBE ZN	TORNILLO REGULACIÓN ZN
68	G15828760	BOCCOLA TENDITORE 14,00X25X 45	BUSHING- TIGHTENER	BOITE TENDEUR	BsCHSE SPANNER	CASQUILLO TENSOR
69	G22505063	VITE REGOL.RUOTE POSTERIORI	BOLT- REAR WHEEL ADJUSTM.	VIS REGLAGE ROUES ARRIERES	EINSTELLSCHRAUBE HINTERRZDER	TORNILLO REGUL. RUEDAS TRASERA
70	G22505061	BOCCOLA VITE DI REGOLAZIONE	BUSHING	BOITE VIS DE REGLAGE	BsCHSE EINSTELLSCHRAUBE	CASQUILLO TORNILLO DE REGULACI
71	F01030060	VITE M 8X1,25X35 U5933 10.9 ZD	SCREW M8X1,25X35 U5933 8.8 ZD	VIS 8X35 5933 8.8 ZN	SCHRAUBE 8X35 5933 8.8 ZN	TORNILLO 8X35 5933 8.8 ZN
72	G15829851	COPRISEME REGOLABILE SX				
73	G15829861	COPRISEME REGOLABILE DX				
74	F01060040	VITE M8X1,25X20 U5732 4.6 ZG	SCREW M8X1,25X20 U5732 4.6 ZN	VIS M8X1,25X20 U5732 4.6 ZN	SCHRA. M8X1,25X20 U5732 4.6 ZN	TORN. M8X1,25X20 U5732 4.6 ZN
75	G15882440	SUPP.DX COPRISEME REGOLABILE				
76	G15882450	SUPP.SX COPRISEME REGOLABILE				

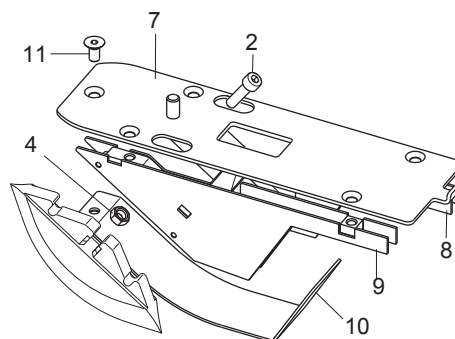
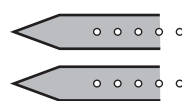
FS



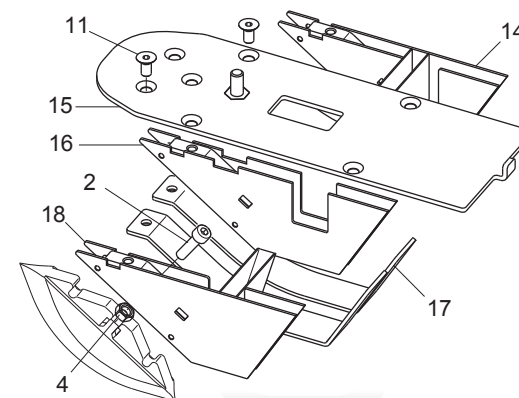
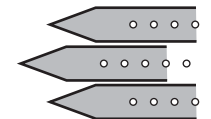
F



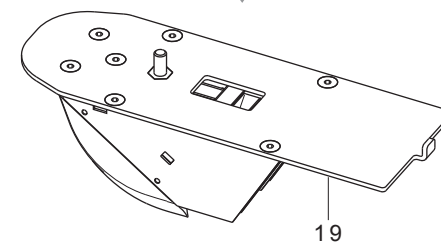
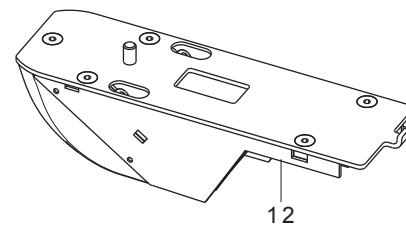
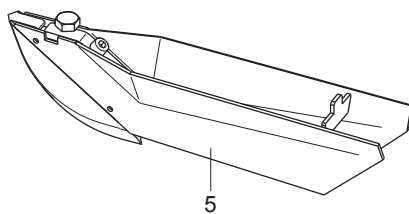
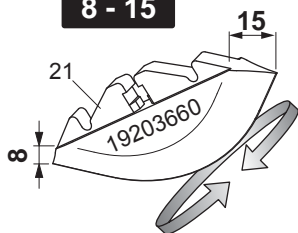
DR



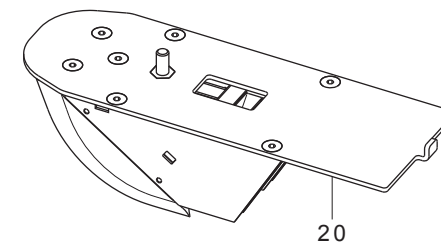
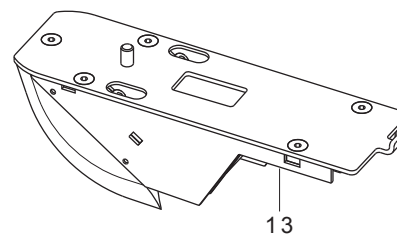
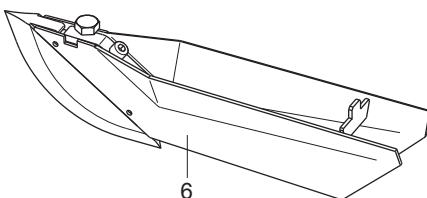
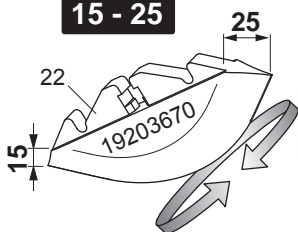
TR



8 - 15



15 - 25

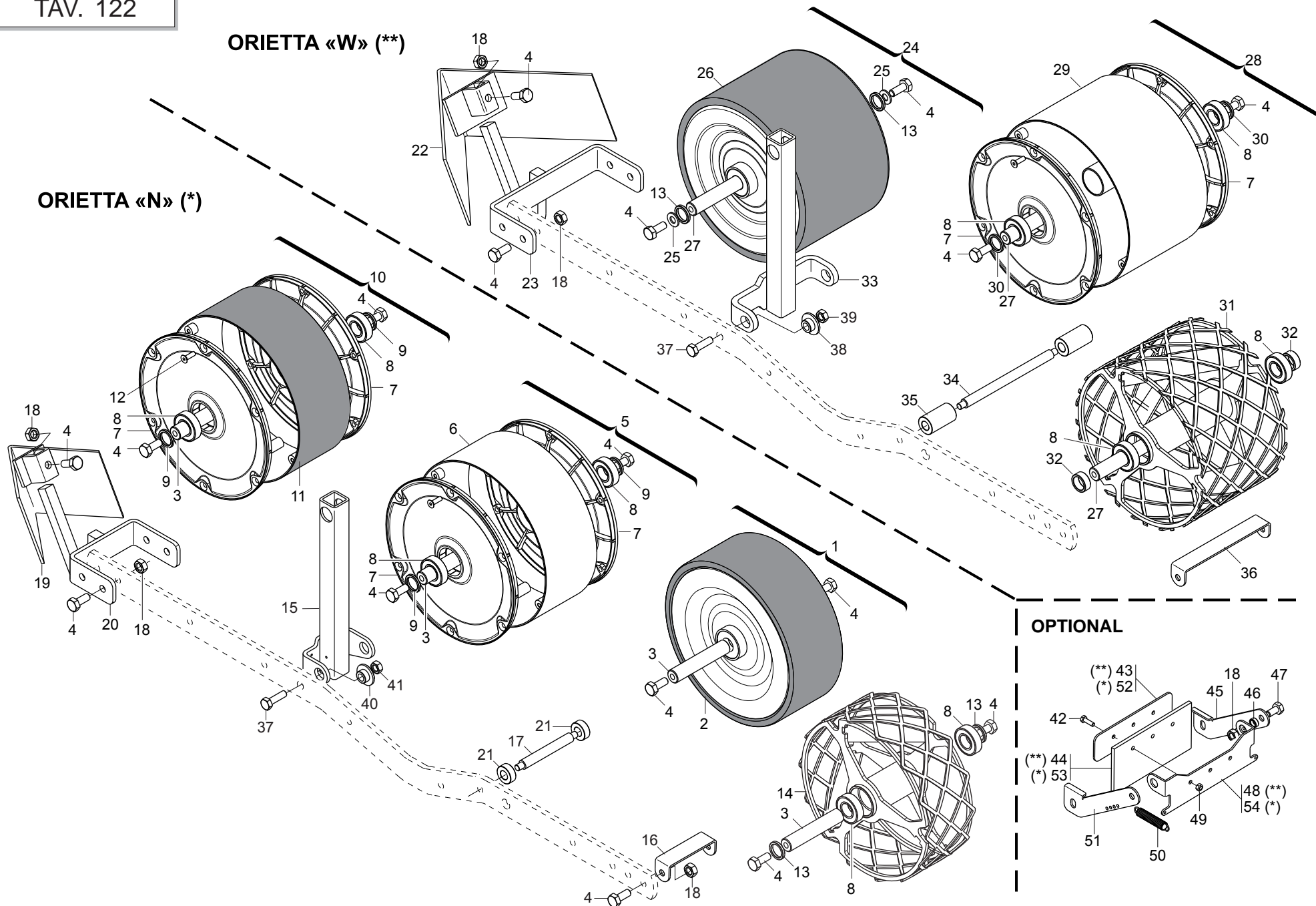


FALCIONI ASSOLCATORI
TAV. 112

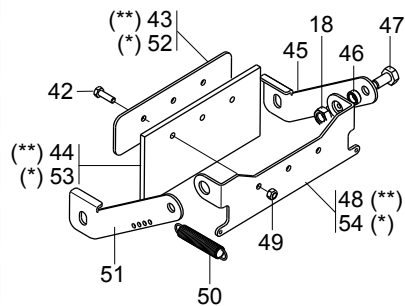
Pos.	Cod.	Descrizione	Description	Description	Benennung	Descripcion
1	F01020468	VITE M10X1,5 X16 U5739 8.8 ZN	SCREW M10X1,5X16 U5739 8.8 ZN	VIS M10X1,5X16 U5739 8.8 ZN	SCHRA. M10X1,5X16 U5739 8.8 ZN	TORN. M10X1,5X16 U5739 8.8 ZN
2	F01040098	VITE M 8X1,25X30 U5931 8.8 BR	SCREW 8 X30 5931 8.G	VIS 8 X30 5931 8.G	SCHRAUBE 8 X30 5931 8.G	TORNILLO 8 X30 5931 8.G
3	G15828350	ASS.LAMIERE FALCIONE FS-03	COULTER SHEET ASS. FS-03	GR. T+LES SOC FS-03	BLECHE S-SCHAR FS-03	CONJ. CHAPAS BOTA FS-03
4	F01200244	DADO M 8X1,25 U5588 6.8 ZN	NUT M8 X1,25 U5588 6.8 ZN	ECROU M8 X1,25 U5588 6.8 ZN	MUTTER M8 X1,25 U5588 6.8 ZN	TUERCA M8 X1,25 U5588 6.8 ZN
5	G15828400	FALCIONE FILA SINGOLA H14	H14 SINGLE ROW COULTER	HACHOIR RANG SIMPLE H14	EINZELREIHENS-SCHAR H 14	ARADO FILA SENCILLA H14
6	G15828410	FALCIONE FS-03 H14/25	FS-03 H14/25 COULTER	HACHOIR TRANSMISSION-03 H14/25	S-SCHAR FS-03 H14/25	ARADO FS-03 H14/25
7	G15881601	SUPPORTO FALCIONE DR7 '11				
8	G15881620	ASS.RIGA DX.FALCIONE DR '06	RIGHT CUTTER LINE ASS. DR	GR. REGLE DROITE DE HACHOIR D	STAB RE SZSCHAR DR	CONJ. VARILLA DER. GUADA#ADORA
9	G15881610	ASS.RIGA SX.FALCIONE DR '06	LEFT CUTTER LINE ASS. DR	GR. REGLE GAUCHE DE HACHOIR D	STAB LI SZSCHAR DR	CONJ. VARILLA IZQ. GUADA#ADORA
10	G15881630	ASS.SLITTA FALCIONE DR7 '06				
11	F01030054	VITE M 8X1,25X16 U5933 10.9 ZD	BOLT 8X16 UNI5933 10.9 GALVANI	VIS 8X16 UNI 5933 10.9 ZN	SCHRAUBE 8X16 UNI 5933 10.9 ZN	TORNILLO 8X16 UNI 5933 10.9 ZN
12	G15881691	FALCIONE DR7 H08/15 '11 COMPL				
13	G15881591	FALCIONE DR7 H15/25 '11 COMPL				
14	G15881472	ASS.RIGA DX FALCIONE TR	RIGHT CUTTER LINE ASS. TR	GR. REGLE DROITE DE HACHOIR TR	STAB RE SZSCHAR TR	CONJ. VARILLA DER. GUADA#ADORA
15	G15881450	ASS.TOP FALCIONE TR				
16	G15881481	ASS.RIGA CENTRALE FALCIONE TR				
17	G15881740	ASS.SLITTA TR				
18	G15881492	ASS.RIGA SX FALCIONE TR	LEFT CUTTER LINE ASS. TR	GR. REGLE GAUCHE DE HACHOIR TR	STAB LI SZSCHAR TR	CONJ. VARILLA IZQ. GUADA#ADORA
19	G15882020	MONT.FALCIONE TR-10 H 8-15				
20	G15881440	MONT.FALCIONE TR-10 H15-25				
21	G19203660	TAGLIENTE FALCIONE FS03 H8/15	CUTTER EDGE FS03 H8/15	COUPEUR HACHOIR FS03 H8/15	SCHARSCHNEIDE FS03 H8/15	AFIL. HOJA DE CORTE FS03 H8/15
22	G19203670	TAGLIENTE FALCIONE FS03 H15/25				
23	F01200270	DADO M10X 1,5 U5588 6.8 ZN	NUT M10X 1,5 U5588 6.8 ZN	ECROU M10X 1,5 U5588 6.8 ZN	MUTTER M10X 1,5 U5588 6.8 ZN	TUERCA M10X 1,5 U5588 6.8 ZN
24	G15827310	ASS.FALCIONE FASCIA 6				
25	G19203640	PUNTALE FALCIONE A FASCIA "R"				
26	F01020450	VITE M 8X1,25X40 U5739 8.8 ZN	SCREW M8X 1,25X40 5739 8.8 ZN	VIS M 8X40	SCHRAUBE M 8X40	TORNILLO M 8X40
27	G15827340	FALCIONE A FASCIA 6 CON VITE				

ORietta «W» ()**

ORietta «N» (*)



OPTIONAL



RUOTE DI COMPRESSIONE

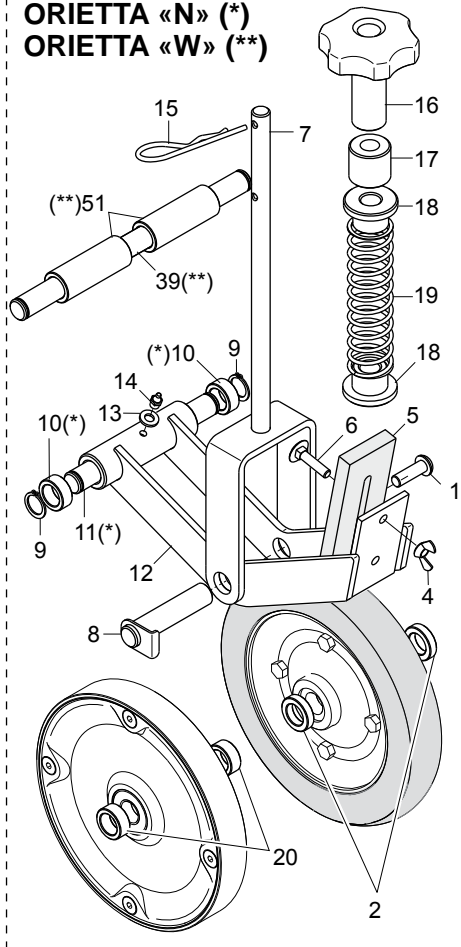
TAV. 122

Pos.	Cod.	Descrizione	Description	Description	Benennung	Descripcion
1	G15826830	MONT.RUOTA IN GOMMA D.250X100				
2	G15826820	RUOTA IN GOMMA 250X100	RUBBER WHEEL 250X100	ROUE EN CAOUTCHOUC 250X100	GUMMIRAD 250X100	RUEDA DE CAUCHO 250X100
3	G15826561	ASSE RUOTA 250X100	AXLE	AXE	ACHSE	EJE
4	F01020472	VITE M10X1,5X25 U5739 8.8 ZN	BOLT 10X25 5739 8.G GALVANIZED	VIS 10X25 5739 8.G ZN	SCHRAUBE 10X25 5739 8.G ZN	TORNILLO 10X25 5739 8.G ZN
5	G15829430	MONT.RUOTA INOX D.250X100 FL.				
6	G15829330	ASS.ANELLO INOX D.250X100	RING D.250X100	BAGUE D.250X100	RING D.250X100	ANILLO D.250X100
7	G19005320	FIANCO RUOTA D.250				
8	F04010131	CUSC.D20 D42 B12 6004-2RSH EX>	BEARING D20 D42 B12 6004-2RSH	ROULEMENT 6004	LAGER 6004	COJINETE 6004
9	G19005080	DISTANZIALE RUOTE INOX R	INOX R WHEEL SPACER	ENTRETOISE ROUE INOX R	DISTANZSTsCK RAD INOX R	DISTANCIADOR RUEDA INOX R
10	G15829580	MONT.RUOTA GOMMA D.250X100 FL.				
11	G15829410	TUBO GOMMATO D.250X100				
12	F01030038	VITE M6X1X20 U5933 10.9 ZD	SCREW M6X 1X20 U5933 10.9 ZD	VIS M 6X20	SCHRAUBE M 6X20	TORNILLO M 6X20
13	G19005081	DISTANZIALE RUOTE INOX R				
14	G15881340	ASS.RUOTA IN GRIGLIA 250X100				
15	G15829920	ASS.SUPPORTO BILANCIERE				
16	G15829950	RASCHIATERRA				
17	G15829890	ASSE POSTERIORE BILANCIERE				
18	F01200270	DADO M10X 1,5 U5588 6.8 ZN	NUT M10X 1,5 U5588 6.8 ZN	ECROU M10X 1,5 U5588 6.8 ZN	MUTTER M10X 1,5 U5588 6.8 ZN	TUERCA M10X 1,5 U5588 6.8 ZN
19	G10525830	SPIANATERRA	SOIL LEVELLER	NIVELEUSE	ERDEBNER	NIVELADORA
20	G15882040	ASS.SUPPORTO SPARTIZOLLE				
21	G19005160	BOCCOLA FINECORSIA BILANCIERE	LIMIT SWITCH ROCKER BUSHING	DOUILLE BUTEE BALANCIE	ENDANSCHLAGSBUCHSE TANDEMWAGEN	CASQUILLO FIN DE CARRERA BALAN
22	G15821861	SPIANATERRA				
23	G15829690	SUPPORTO SPARTIZOLLE				
24	G15829160	RUOTA 250X170 COMPL.				
25	F01420060	ROS.M10 10,5X 30X2,5 U6593 ZN	WASHER 10,5X30	RONDELLE 10,5X30	SCHEIBE 10,5X30	ARANDELA 10,5X30
26	G15827960	RUOTA GOMMA 250X170 MOZZO 180				
27	G15827980	ASSE RUOTA 250X170	WHEEL AXLE 250X170	AXE ROUE 250X170	RADACHSE 250X170	EJE RUEDA 250X170
28	G15829760	MONT.RUOTA INOX D.250X170 FL.				
29	G15829770	ASS.ANELLO INOX D.250X170	RING D.250X170	BAGUE D.250X170	RING D.250X170	ANILLO D.250X170
30	G19005600	DISTANZIALE D.20 XD.27 X10.5				
31	G15881380	ASS.RUOTA IN GRIGLIA 250X170				
32	G19005600	DISTANZIALE D.20 XD.27 X10.5				
33	G15827870	SUPPORTO BILANCIERE				
34	G15881810	ASSE POSTERIORE BILANCIERE 187				
35	G19005960	DIST.D.15 X30 X53				
36	G15827970	RASCHIATERRA				
37	F01020512	VITE M12X1,75X35 U5739 8.8 ZN	SCREW M12X1,75X35 5739 8.8 ZN	VIS M12X1,75X35 5739 8.8 ZN	SCHR. M12X1,75X35 5739 8.8 ZN	TORN. M12X1,75X35 5739 8.8 ZN
38	G15224630	BOCCOLA BRACCIO	ARM BUSHING	BOITE BRAS	BsCHSE ARM	CASQUILLO BRAZO
39	F01200293	DADO M12X1,75 U5588 6.8 ZN	NUT M12X1,75 U5588 6.8 ZN	ECROU M12X1,75 U5588 6.8 ZN	MUTTER M12X1,75 U5588 6.8 ZN	TUERCA M12X1,75 U5588 6.8 ZN
40	G15421231	BOCCOLA BRACCIO SUPERIORE	UPPER ARM BUSHING	BOITE BRAS SUPERIEURE	OBERE ARMBsCHSE	CASQUILLO BRAZO SUPERIOR
41	F01220048	DADO M12X1,75 D980 8 ZN	NUT M12X1,75 D980 8 ZN	ECROU M12X1,75 D980 8 ZN	SCHEIBE M12X1,75 D980 8 ZN	TUERCA M12X1,75 D980 8 ZN
42	F01020404	VITE M6X1X20 U5739 8.8 ZN	SCREW M 6X 1X20 U5739 8.8 ZN	VIS 6X20 5739 8.G ZN	SCHRAUBE 6X20 5739 8.G ZN	TORNILLO 6X20 5739 8.G ZN
43	G15882181	PIASTRA 175X45				
44	G15882191	RASCHIATORE IN GOMMA				
45	G15882160	SUPPORTO DX				
46	G20980037	BOCCOLA 15X10,25X8	BUSHING 15X10,25X8	BOITE 15X10,25X8	BsCHSE 15X10,25X8	CASQUILLO 15X10,25X8
47	F01020470	VITE M10X1,5X20 U5739 8.8 ZN	BOLT M 10X20	VIS M 10X20	SCHRAUBE M 10X20	TORNILLO M 10X20
48	G15882171	SUPPORTO RASCHIATERRA GOMMA				
49	F01220011	DADO M 6X 1 D980 8 ZN	NUT M6X1 D980 8 ZN	ECROU M6X1 D980 8 ZN	MUTTER M6X1 D980 8 ZN	TUERCA M6X1 D980 8 ZN
50	G18904170	MOLLA SPORTELLO GRANDE	LARGE HATCH SPRING	RESSORT PORTILLON GRAND	GROSSE Klappe FEDER	MUELLE DE PORTILLO GRANDE
51	G15882150	SUPPORTO SX				
52	G15882730	PIASTRA				
53	G15882740	RASCHIATORE IN GOMMA				
54	G15882750	SUPP.RASCHIATERRA IN GOMMA				

TAV. 132

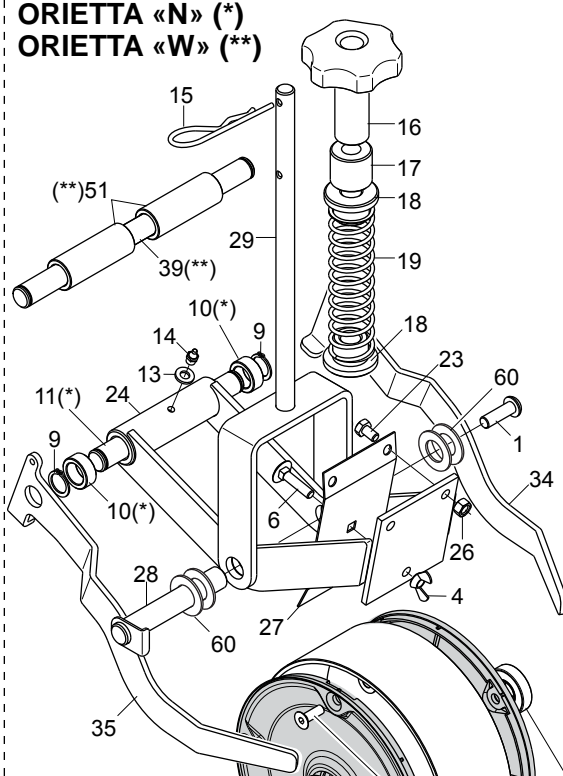
FILA SINGOLA - SINGLE ROW

ORIETTA «N» (*)
ORIETTA «W» ()**



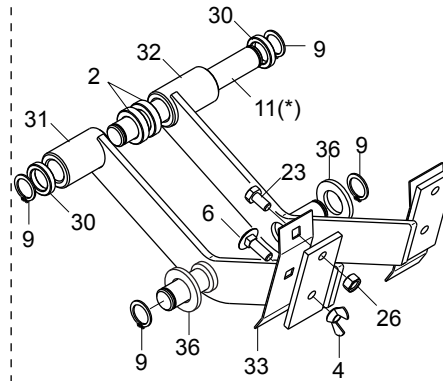
SEMINA A FASCIA - BROAD SEEDING

ORIETTA «N» (*)
ORIETTA «W» ()**



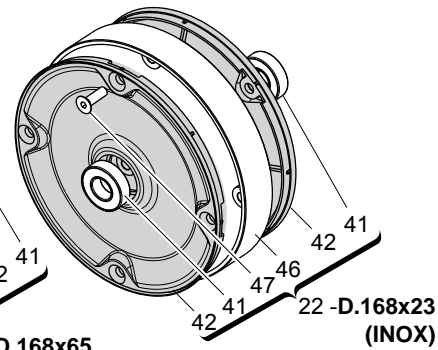
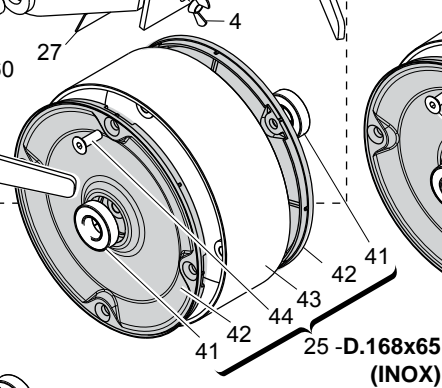
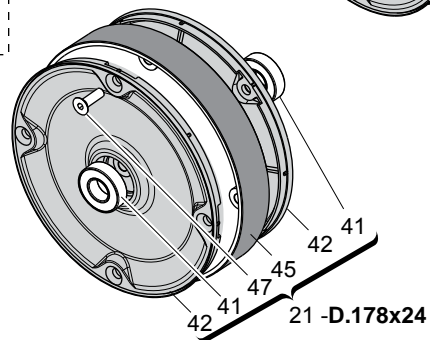
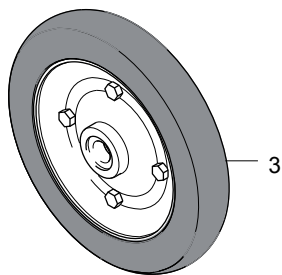
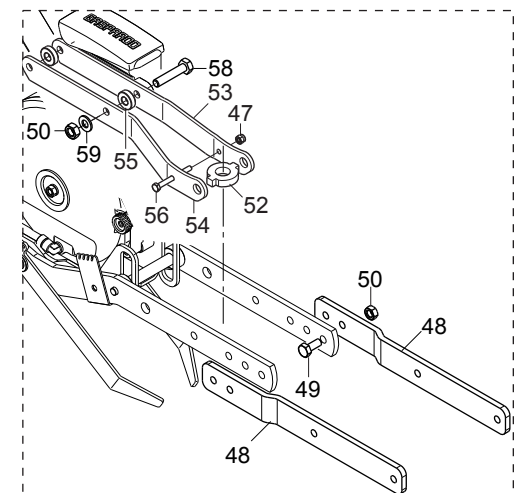
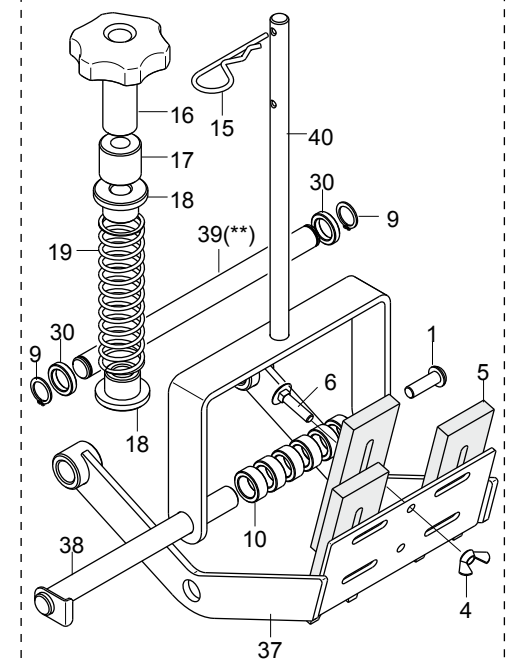
FILA DOPPIA - DOUBLE ROW

ORIETTA «N» (*)



FILA DOPPIA E TRIPLA - DOUBLE AND TRIPLE ROW

ORIETTA «W» ()**

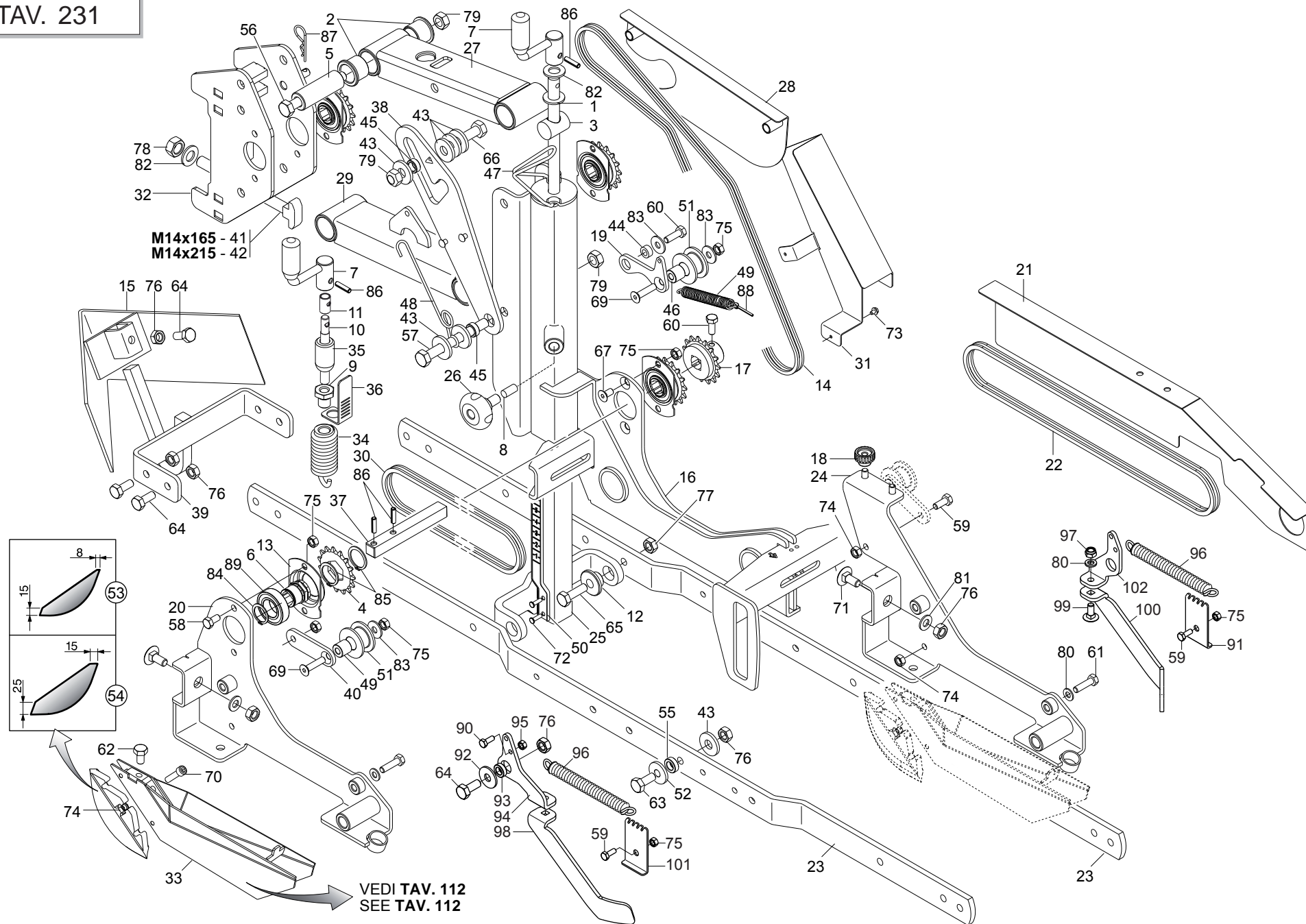


RUOTINI DI COMPRESSIONE

TAV. 132

Pos.	Cod.	Descrizione	Description	Description	Benennung	Descripcion
1	F01030211	VITE M8X1,25X25 U7380 10.9 ZD	BOLT 8X25 U7380 10.9 GALVANIZ	VIS 8X25 U7380 10.9 ZN	SCHRAUBE 8X25 U7380 10.9 ZN	TORNILLO 8X25 U7380 10.9 ZN
2	G19005290	DISTANZIALE 15X24X6				
3	F06120066	RUOTINO FLEX 170 X 30	WHEEL FLEX 170X 30			
4	F01240012	DADO M 6X 1 U5448 5.8 ZN	NUT 6 UNI 5448 5.8 ZN	ECROU 6 UNI 5448 5.8 ZN	MUTTER 6 UNI 5448 5.8 ZN	TUERCA 6 UNI 5448 5.8 ZN
5	G15828440	RASCHIATERRA RUOTINI FS	WHEEL SOIL-SCRAPER FS	RACLEUR ROUE FS	ERDSCHABER FS	RASCADOR RUEDA FS
6	F01060069	VITE M10X1,5X30 U5732 4.6 ZN	BOLT 10X30 5732 4.6	BOULON 10X30 5732 4.6	SCHRAUBE 10X30 5732 4.6	PERNO 10X30 5732 4.6
7	G15827491	STELO PRESSORE R	PRESSURE STEM ASS.	GR. TIGE	SCHAFT	CONJ. VµSTAGO
8	G15828740	ASS.ASSE RUOTINO	WHEEL AXIS ASS.	GR. AXE ROUE	RADACHSE	CONJ. EJE RUEDA
9	F02050034	ANELLO E. DE 15X 1 U7435 C70	ELASTIC RING DE 15X 1	BAGUE ELASTIQUE DE 15X 1	RING DE 15X 1	ANILLO DE 15X 1
10	G19005970	DIST.D.15 X22 X 9				
11	G15827480	ASSE COPRISEME	SEED-COVER AXLE	AXE COUVRE-GR.	SAMENABDECK ASCHE	CUBRESEMILLAS EJE
12	G15825251	SUPP.RUOTINO PREMISEME FS	STRIP SEED PRESS WHEEL SUPPORT	ASS. SUPPORT ROUET RECOUVREUR	SAMENANDRUCKROLLENHALTERUNGSKO	CONJ.. SOPORTE RODILLO PRENSA
13	F01410037	ROS.M6 6.4X12,5X1,6 U6592 ZN	PLANE WASHER D.6	RONDELLE D.6	SCHLEIBE D.6	ARANDELA D.6
14	F20110500	INGRASS.A SFERE M6X1 LUNGO	SPHERE NIPPLE M6X1 LONG	GRAISSEUR A BILLES M6X1 LONG	KUGELFETTBsCHSE M6X1 LANG	ENGRASADOR ESFERAS M6X1 LARGO
15	F02200363	COPIGLIA R 3X 62 ZN	SPRING SPLIT PIN 3X 62 ZN	GOUPILLE R 3X62	SPLINT R 3X62	CHAVETA R 3X62
16	G19004530	VOLANTINO PRESSORE (SEM.ORT.R)	HANDWHEEL	VOLANT	HANDRAD	VOLANTE
17	G66248100	RULLO TEND. SP	TIGHTENER ROLLER SP	ROULEAU TENDEUR SP	SPANNERROLLE SP	RODILLO TENSOR SP
18	G19004560	BOCCOLA MOLLA PRESSORE	SPRING BUSHING	RESSORT	FEDER	CASQUILLO MUELLE
19	G18903670	MOLLA COMPRESSIONE RUOTINO	COMPR. WHEEL SPRING	RESSORT COMPRESSION ROUET	FEDER DsNGUNG ROLLE	MUELLE COMPRESIN RUEDECILLA A
20	G19005160	BOCCOLA FINECORSIA BILANCIERE	LIMIT SWITCH ROCKER BUSHING	DOUILLE BUTEE BALANCIE	ENDANSCHLAGSBUCHSE TANDEMWAGEN	CASQUILLO FIN DE CARRERA BALAN
21	G15829590	MONT.RUOTA GOMMAD.162X24 FL.				
22	GA5820270	RUOTA INOX D.168X23 COMPL				
23	F01020398	VITE M6X1X12 U5739 8.8 ZN	BOLT M6X12	VIS M6X12	SCHRAUBE M6X12	TORNILLO M6X12
24	G15826010	BRACCIO PREMISEME FASCIA	STRIP SEED PRESS ARM COUPLING	ASS. BRAS ROUE INTERMEDIAIRE P	SAMENANDRUCKARMB_GELKOMPLEX	CONJ. PRENSA SEMILLAS FAJA
25	G15829451	RUOTA INOX D.162X65 FL.COMPL				
26	F01200232	DADO M 6X 1 U5588 6.8 ZN	NUT 6 UNI 5588 6.8 GALVANIZED	ECROU 6 UNI 5588 6.8 ZN	MUTTER 6 UNI 5588 6.8 ZN	TUERCA 6 UNI 5588 6.8 ZN
27	G22250178	RASCHIATERRA RUOTINO LARGO SV	WIDE WHEEL SOIL-SCRAPER SV	RACLEUR ROUET LARGE SV	ERDSCHABER BREITE ROLLE SV	RASCADOR RUEDECILLA LARGA SV
28	G15828830	ASS.ASSE RUOTINO A FASCIA	SEM."R" BANDS WHEEL AXIS ASS.	GR. AXE ROUE BANDES SEM."R"	RADACHSE BsNDE SEM."R"	CONJ. EJE RUEDA FAJA SEM."R"
29	G15828151	STELO PRESSORE RUOT.FASCIA	STRIP WHEEL PRESSURE STEM ASS.	GR. TIGE ROUE BRIDE	SCHAFT RAD BAND	CONJ. VµSTAGO RUEDA BANDA
30	G19005300	DISTANZIALE 15X22X4,5				
31	G15825430	BRACCIO SX.PREMISEME DR	DR LEFT-SIDE SEED PRESS ARM CO	ASS. BRAS GAUCHE ROUE INTERMED	ARMKOMPLEX LINKS SAMENANDR_CKE	CONJ.. BRAZO SX PRENSASEMILLAS
32	G15825440	BRACCIO DX.PREMISEME DR	DR RIGHT-SIDE SEED PRESS ARM C	ASS. BRAS DROIT ROUE INTERMEDI	ARMKOMPLEX RECHTS SAMENANDR_CK	CONJ. BRAZO DX PRENSASEMILLAS
33	G10122392	RASCHIATERRA				
34	G15881931	COPRISEME A FASCIA DX				
35	G15881921	COPRISEME A FASCIA SX				
36	F01410100	ROS.M16 17X 30X 3 U6592 ZN	WASHER M16 17X30X3 U6592 ZN	RONDELLE M16 17X30X3 U6592 ZN	SCHLEIBE M16 17X30X3 U6592 ZN	ARANDELA M16 17X30X3 U6592 ZN
37	G15881800	ASS.SUPPORTO RASCHIATERRA				
38	G15881780	ASS.ASSE RUOTINO TR	WHEEL AXIS TR	AXE ROUE TR	RADACHSE TR	EJE RUEDA TR
39	G15881840	PERNO RUOTE PREMISEME TR ZN				
40	G15881750	ASS.PRESSORE RUOTINI TR				
41	F04010125	CUSC.D15 D32 B9 6002 2RS1	BEARING D15 D32 B9 6002 2RS1	PALIER 6002 2RS1	LAGER 6002 2RS1	COJINETE 6002 2RS1
42	G19005331	FIANCO RUOTA D.168				
43	G15882720	ANELLO INOX 168X65				
44	F01030038	VITE M6X1X20 U5933 10.9 ZD	SCREW M6X 1X20 U5933 10.9 ZD	VIS M6X20	SCHRAUBE M6X20	TORNILLO M6X20
45	G15829420	TUBO GOMMATO D.162X24				
46	GA5820280	ANELLO INOX 168X23				
47	F01030041	VITE M6X1X10 U5933 10.9 ZD	BOLT 6x10 5933 10.9 GALVANIZ.	VIS 6x10 5933 10.9 ZN	SCHRAUBE 6x10 5933 10.9 ZN	TORNILLO 6x10 5933 10.9 ZN
48	G15827610	PROLUNGA BILANCIERE				
49	F01020472	VITE M10X1,5X25 U5739 8.8 ZN	BOLT 10X25 5739 8.G GALVANIZED	VIS 10X25 5739 8.G ZN	SCHRAUBE 10X25 5739 8.G ZN	TORNILLO 10X25 5739 8.G ZN
50	F01200270	DADO M10X 1,5 U5588 6.8 ZN	NUT M10X 1,5 U5588 6.8 ZN	ECROU M10X 1,5 U5588 6.8 ZN	MUTTER M10X 1,5 U5588 6.8 ZN	TUERCA M10X 1,5 U5588 6.8 ZN
51	G15882300	DISTANZIALE 15-25X50				
52	G15882480	SUPP.BASCULANTE				
53	G15882470	PIATTO DX SUPP.BASCULANTE				
54	G15882490	PIATTO SX SUPP.BASCULANTE				
55	G18801680	BOCCOLA 11 X25 X7,5 ZN	BUSHING 11X25X7,5 GALVA	BOITE 11X25X7,5 ZN	BsCHSE 11X25X7,5 ZN	CASQUILLO 11X25X7,5 ZN
56	F01020043	VITE M6X1X60 U5737 8.8 ZN	SCREW M6X 1X60 U5737 8.8 ZN	VIS 6 X60 5737 8.G ZN	SCHRAUBE 6 X60 5737 8.G ZN	TORNILLO 6 X60 5737 8.G ZN
57	F01230022	DADO M 6X 1 D982 8 ZN	NORM.SELF-LOCKING NUT 6 GALVAN	ECROU AUTOB.NOR.6 ZN	SCHRAUBE AUTOB. NOR.6 ZN	TUERCA AUTOB. NOR. 6 ZN
58	F01020114	VITE M10X1,5X50 U5737 8.8 ZN	SCREW M10X 1,5X50 U5737 8.8 ZN	VIS M10X 1,5X50 U5737 8.8 ZN	SCHRA.M10X 1,5X50 U5737 8.8 ZN	TORN. M10X 1,5X50 U5737 8.8 ZN
59	F01410064	ROS.M10 10,5X 20X 2 U6592 ZN	WASHER M10 10,5X20X2 U6592 ZN	RONDELL.M10 10,5X20X2 U6592 ZN	SCHLEIBE M10 10,5X20X2 U6592 ZN	ARAND. M10 10,5X20X2 U6592 ZN
60	G20970149	RONDELLA D.15X28X1,5	WASHER D.15X28X1-5	RONDELLE D. 15X28X1-5	UNTERLEGSCHLEIBE D.15X28X1-5	ARANDELA D.15X28X1-5

TAV. 231

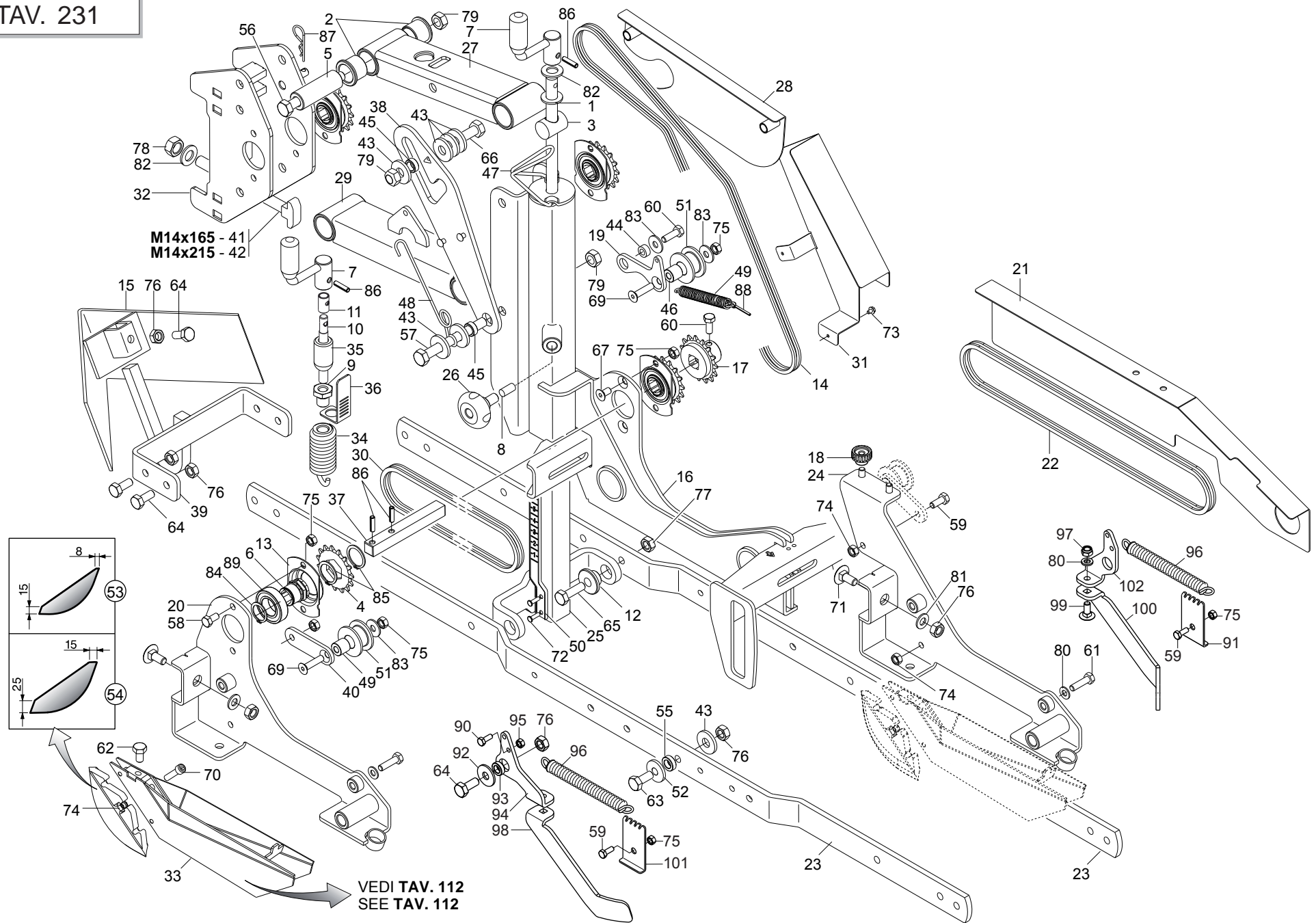


ELEMENTO OLIMPIA

TAV. 231

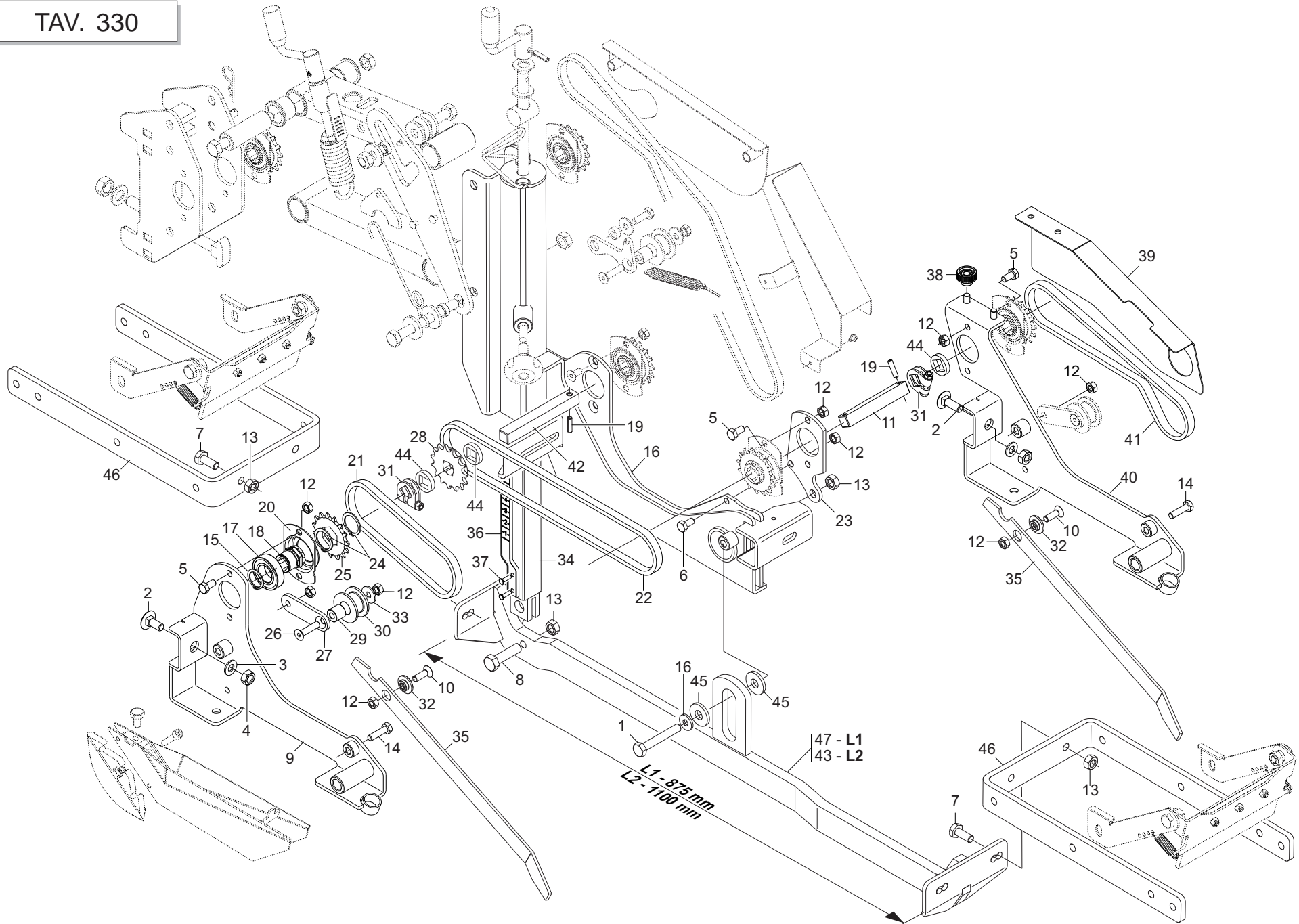
Pos.	Cod.	Descrizione	Description	Description	Benennung	Descripcion
1	G22230062	VITE DI REGOLAZIONE	ADJUSTMENT BOLT	VIS DE REGLAGE	EINSTELLSCHRAUBE	TORNILLO DE REGULACION S
2	G66349003	BOCCOLA SINT.	BUSHING- SINTERED	BOITE FRITTEE	SYNTH. BUECHSE	CASQUILLO SINT.
3	G22230063	ELEMENTO ARTICOLATO	ARTICULATED ELEMENT	ELEMENT ARTICULE	GELENKELEMENT	ELEMENTO ARTICULADO
4	G22250190	CORONA ASSE SEMINAT.Z-15 SV	PLANTING UNIT AXLE Z-15 RING G	COURONNE AXE SEMEUR Z-15 SV	KRANZ SZELEMENTACHSE Z-15 SV	CORONA EJE SEMBR. Z-15 SV
5	G22250405	PERNO BRACCIO INFERIORE SV/2	PIN- LOWER ARM SV/2	PIVOT BRAS INF. SV/2	ZAPFEN UNTERER ARM SV/2	PERNO BRAZO INFERIOR SV/2
6	G22250441	MOZZO CORONA SEMINATORE SV/2	PLANTING UNIT CROWN HUB SV/2	MOYEU COURONNE SEMEUR SV/2	KRANZNABE SZELEMENT SV/2	CUBO CORONA SEMBRADOR SV/2
7	G22270235	MANIGLIA REGOLAZIONE B4	ADJUSTMENT HANDLE B4	POIGNEE REGLAGE B4	EINSTELLGRIFF B4	MANIJA REGULACION B4 M
8	G14820991	FERMO REGOLAZIONE	ADJUSTMENT STOP	BUTEE REGLAGE	EINSTELLUNGSSPERRE	BLOQUEO REGULACION
9	G15220120	VITE REGOLAZIONE ZN	REGULATION BOLT	VIS REGLAGE ZN	STELLSCHRAUBE ZN	TORNILLO REGULACION ZN
10	G22505063	VITE REGOL.RUOTE POSTERIORI	BOLT- REAR WHEEL ADJUSTM.	VIS REGLAGE ROUES ARRIERES	EINSTELLSCHRAUBE HINTERRZDER	TORNILLO REGUL. RUEDAS TRASERA
11	G22505061	BOCCOLA VITE DI REGOLAZIONE	BUSHING	BOITE VIS DE REGLAGE	BsCHSE EINSTELLSCHRAUBE	CASQUILLO TORNILLO DE REGULACION
12	G15224630	BOCCOLA BRACCIO	ARM BUSHING	BOITE BRAS	BsCHSE ARM	CASQUILLO BRAZO
13	G15725030	SUPPORTO CUSCINETTO	BEARING SUPPORT	SUPPORT PALIER	LAGERHALTERUNG	SOPORTE COJINETE
14	F06080087	CATENA 1/2 ISO 083 86 MAGLIE				
15	G15821861	SPIANATERRA				
16	G15827620	TELAJETTO CENTRALE				
17	G15827660	PIGNONE Z-15 ZN				
18	F06220037	VOLANTINO ZIGR.D.26-M8 FEM				FOLLETO ZIGR.D.26-M8
19	G15827680	BRACCIO TENDICATENA				
20	G15827700	ATTACCO DISTRIBUTORE ANT.				
21	G15827800	CARTER POST.SEMINATORE				
22	F06080050	CATENA 1/2 ISO 083 96 MAGLIE	CUT-DOWN CHAIN 1/2 ISO 083 96	TR. CH...1/2 ISO 083 96 MAILL	KETTENZNGE 1/2 ISO 083 96 GL	TRECHO CADENA 1/2 ISO 083 96 E
23	G15827831	BRACCIO BILANCIERE				
24	G15827860	ATTACCO DISTRIBUTORE POST.				
25	G15827870	SUPPORTO BILANCIERE				
26	F06220010	VOLANTINO 4 LOBI M12X25	8-LOBE HANDWHEEL M12X25	VOLANT 8 LOBES M12X25	HANDRAD 8 BUCKEL M12X25	VOLANTE 8 LOBI M12X25
27	G15827900	BRACCIO SUP.PARALLELOGRAMMA				
28	G15827930	CARTER ANT.				
29	G15827940	BRACCETTO INF.				
30	F06080016	CATENA 1/2 ISO 083 38 MAGLIE				
31	G15827990	CARTER CENTRALE SEMINATORE				
32	G15828250	ATTACCO TELAIO	FRAME COUPLING	FIXATION BATI	KUPPLUNG RAHMEN	CONEXIN BASTIDOR
33	G15828350	ASS.LAMIERE FALCIONE FS-03	COULTER SHEET ASS. FS-03	GR. T+LES SOC FS-03	BLECHE S-SCHAR FS-03	CONJ. CHAPAS BOTA FS-03
34	G15828660	ASS.MOLLA ALLEGGERIMENTO	LIGHTENING SPRING COUPLING	ASS. RESSORT ALLEGEMENT	ERLEICHTERUNGSFEDERKOMPLEX	CONJ. MUELLE DE ALIGERAMIENTO
35	G15828760	BOCCOLA TENDITORE 14,00X25X 45	BUSHING- TIGHTENER	BOITE TENDEUR	BsCHSE SPANNER	CASQUILLO TENSOR
36	G15829290	INDICE MOLLA PARALLELOGR. ZN				
37	G15829630	ASSE TRASMISSIONE	TRANSMISSION AXLE	AXE TRANSMISSION	ANTRIEBSACHSE	EJE TRANSMISION
38	G15829681	ASTAAGGANCIO				
39	G15829690	SUPPORTO SPARTIZOLLE				
40	G15835360	BRACCIO TENDICATENA				
41	G16610010	VITE A MARTELLO M14X165	WINGED SCREW M14X165	VIS A TETE MARTEAU M14X165	ZWEIFLÜGEL- SCHRAUBEN M14X165	TORNILLO DE MARIPOSA M14X165
42	G16610020	VITE A MARTELLO M14X215	WINGED SCREW M14X215	VIS A TETE MARTEAU M14X215	ZWEIFLÜGEL- SCHRAUBEN M14X215	TORNILLO DE MARIPOSA M14X215
43	G20970035	RONDELLA 32X4X13	WASHER 32X4X13	RONDELLE 32X4X13	UNTERLEGSCHHEIBE 32X4X13	ARANDELA 32X4X13
44	G20980050	BOCCOLA 15X7X8,5 ZN	BUSHING 15X7X8-5 ZN	BOITE 15X7X8-5 ZN	BsCHSE 15X7X8-5 ZN	CASQUILLO 15X7X8-5 ZN
45	G20980082	BOCCOLA 18X7X12,25	BUSHING 18X7X12-25	BOITE 18X7X12-25	BsCHSE 18X7X12-25	CASQUILLO 18X7X12-25
46	G18801450	BOCCOLA 8,25 X18 X17	BUSHING 8,25 X 18 X 17	BOITE 8,25 X18 X17	BsCHSE 8,25 X18 X17	CASQUILLO 8,25 X18 X17
47	G65336100	MOLLA SPEC.FERMO MANIGLIA SP	SPEC SPRING HANDLE STOP SP	RESSORT SPEC. ARRET POIGNEE SP	SPEZIALFEDER GRIFFSPERRE SP	MUELLE ESPEC. BLOQUEO MANIJA S
48	G18902880	MOLLA FERMO PARALLELO SP				
49	G18801450	BOCCOLA 8,25 X18 X17	BUSHING 8,25 X 18 X 17	BOITE 8,25 X18 X17	BsCHSE 8,25 X18 X17	CASQUILLO 8,25 X18 X17
50	G19003400	ASTA INDICAZIONE PROFONDITA'	DEPTH INDICATING ROD	TIGE INDICATION PROFONDEUR	TIEFENANZEIGESTAB	VARILLA INDICACION PROFUNDIDAD
51	G19005110	RULLO TENDICATENA				RODILLO TENSIONA CADENA
52	G19005460	BOCCOLA BILANCIERE	ROCKER BUSHING	BOITE BALANCIER	BsCHSE KIPPHEBEL	CASQUILLO BALANCN
53	G19203660	TAGLIENTE FALCIONE FS03 H8/15	CUTTER EDGE FS03 H8/15	COUPEUR HACHOIR FS03 H8/15	SCHARSCHNEIDE FS03 H8/15	AFIL. HOJA DE CORTE FS03 H8/15
54	G19203670	TAGLIENTE FALCIONE FS03 H15/25				REJA TRIPLE FS03 H15/25

TAV. 231



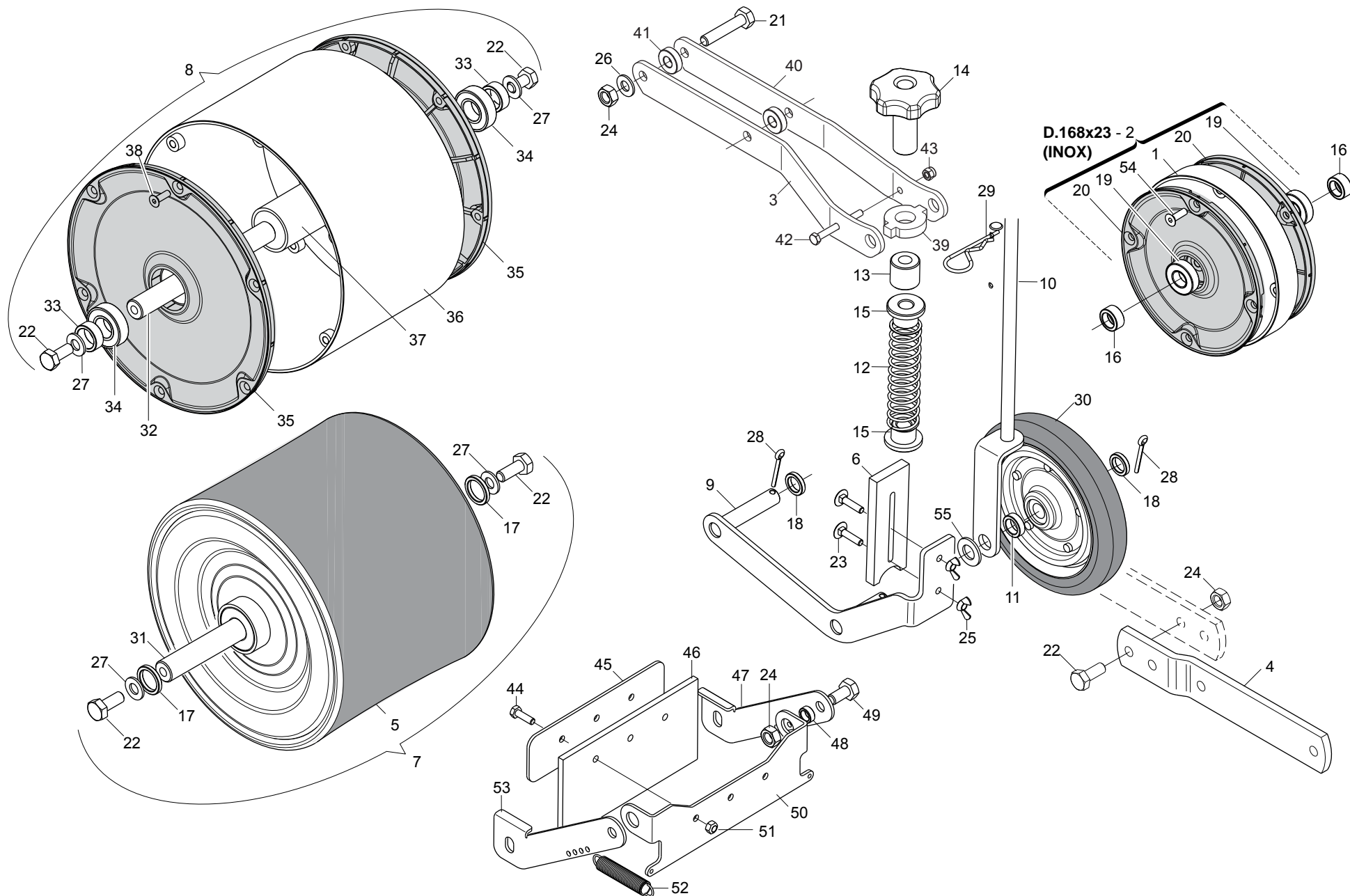
VEDI TAV. 112
SEE TAV. 112

Pos.	Cod.	Descrizione	Description	Description	Benennung	Descripcion
55	G18801610	BOCCOLA 10,25X16 X11 ZN	BUSHING 10.25 X 16 X 11- GALVA	BOITE 10-25X16 X11 ZN	BsCHSE 10-25X16 X11 ZN	CASQUILLO 10-25X16 X11 ZN
56	F01020170	VITE M12X1,75X100 5737 8.8 ZN	SCREW M12X1,75X100 5737 8.8 ZN	VIS M12X1,75X100 5737 8.8 ZN	SCHRA.M12X1,75X100 5737 8.8 ZN	TORN. M12X1,75X100 5737 8.8 ZN
57	F01020172	VITE M12X1,75X110 5737 8.8 ZN	SCREW M12X1,75X110 5737 8.8 ZN	VIS 12X110 5737 8.G ZN	SCHRAUBE 12X110 5737 8.G ZN	TORNILLO 12X110 5737 8.G ZN
58	F01020432	VITE M 8X1,25X16 U5739 8.8 ZN	SCREW M8X 1.25X16 U5739 8.8 ZN	VIS M8X16	SCHRAUBE M8X16	TORNILLO M 8X16
59	F01020436	VITE M 8X1,25X 20 U5739 8.8 ZN	SCREW M8X1,25X20 U5739 8.8 ZN	VIS M8X1,25X20 U5739 8.8 ZN	SCHRA. M8X1,25X20 U5739 8.8 ZN	TORN. M8X1,25X20 U5739 8.8 ZN
60	F01020440	VITE M 8X1,25X25 U5739 8.8 ZN	BOLT M8X1,25X25 U5739 8.8 ZN	VIS M8X1,25X25 U5739 8.8 ZN	SCHRA. M8X1,25X25 U5739 8.8 ZN	TORNIL.M8X1,25X25 U5739 8.8 ZN
61	F01020445	VITE M8X1,25X30 U5739 8.8 ZN	BOLT M8X30	VIS M 8X30	SCHRAUBE M8X30	TORNILLO M 8X30
62	F01020468	VITE M10X1,5 X16 U5739 8.8 ZN	SCREW M10X1,5X16 U5739 8.8 ZN	VIS M10X1,5X16 U5739 8.8 ZN	SCHRA. M10X1,5X16 U5739 8.8 ZN	TORN. M10X1,5X16 U5739 8.8 ZN
63	F01020479	VITE M10X1,5X35 U5739 8.8 ZN	SCREW M10X1,5X35 U5739 8.8 ZN	VIS M10X1,5X35 U5739 8.8 ZN	SCHR. M10X1,5X35 U5739 8.8 ZN	TORN. M10X1,5X35 U5739 8.8 ZN
64	F01020472	VITE M10X1,5X25 U5739 8.8 ZN	BOLT 10X25 5739 8.G GALVANIZED	VIS 10X25 5739 8.G ZN	SCHRAUBE 10X25 5739 8.G ZN	TORNILLO 10X25 5739 8.G ZN
65	F01020512	VITE M12X1,75X35 U5739 8.8 ZN	SCREW M12X1,75X35 5739 8.8 ZN	VIS M12X1,75X35 5739 8.8 ZN	SCHR. M12X1,75X35 5739 8.8 ZN	TORN. M12X1,75X35 5739 8.8 ZN
66	F01020152	VITE M12X1,75X 40 5737 8.8 ZN	SCREW M12X1,75X40 U5737 8.8 ZN	VIS M12X1,75X 40 U5737 8.8 ZN	SCHR.M12X1,75X 40 U5737 8.8 ZN	TORN.M12X1,75X 40 U5737 8.8 ZN
67	F01030054	VITE M 8X1,25X16 U5933 10.9 ZD	BOLT 8X16 UNI5933 10.9 GALVANI	VIS 8X16 UNI 5933 10.9 ZN	SCHRAUBE 8X16 UNI 5933 10.9 ZN	TORNILLO 8X16 UNI 5933 10.9 ZN
68	F01030056	VITE M 8X1,25X25 U5933 10.9 ZD	BOLT 8X25 5933 10.9 GALVANIZED	VIS 8X25 5933 10.9 ZN	SCHRAUBE 8X25 5933 10.9 ZN	TORNILLO 8X25 5933 10.9 ZN
69	F01030060	VITE M 8X1,25X35 U5933 10.9 ZD	SCREW M8X1,25X35 U5933 8.8 ZD	VIS 8X35 5933 8.8 ZN	SCHRAUBE 8X35 5933 8.8 ZN	TORNILLO 8X35 5933 8.8 ZN
70	F01040098	VITE M 8X1,25X30 U5931 8.8 BR	SCREW 8 X30 5931 8.G	VIS 8 X30 5931 8.G	SCHRAUBE 8 X30 5931 8.G	TORNILLO 8 X30 5931 8.G
71	F01060069	VITE M10X1,5X30 U5732 4.6 ZN	BOLT 10X30 5732 4.6	BOULON 10X30 5732 4.6	SCHRAUBE 10X30 5732 4.6	PERNO 10X30 5732 4.6
72	F01070050	VITE M3,5X1,27X16 U6954 4.8NI	BOLT 3,5X1,27X 16 6954 4.8NI	VIS 3,5X1,27X 16 6954 4.8NI	SCHRAUBE 3.5X1.27X 16 6954 4.8	TORNILLO 3.5X1.27X 16 6954 4.8
73	F01070073	VITE M4,2X1,41X9,5 U6954 4.8NI	BOLT 4-2X 9-5 DIN 7981	VIS 4-2X 9-5 DIN 7981	SCHRAUBE 4-2X 9,5 DIN 7981	TORNILLO 4-2X 9-5 DIN 7981
74	F01200243	DADO M 8X1,25 U5588 6.8 BR	NUT 8 UNI 5588 6.8	ECROU 8 UNI 5588 6.8	MUTTER 8 UNI 5588 6.8	TUERCA 8 UNI 5588 6.8
75	F01200244	DADO M 8X1,25 U5588 6.8 ZN	NUT M8 X1,25 U5588 6.8 ZN	ECROU M8 X1,25 U5588 6.8 ZN	MUTTER M8 X1,25 U5588 6.8 ZN	TUERCA M8 X1,25 U5588 6.8 ZN
76	F01200270	DADO M10X 1,5 U5588 6.8 ZN	NUT M10X 1,5 U5588 6.8 ZN	ECROU M10X 1,5 U5588 6.8 ZN	MUTTER M10X 1,5 U5588 6.8 ZN	TUERCA M10X 1,5 U5588 6.8 ZN
77	F01200293	DADO M12X1,75 U5588 6.8 ZN	NUT M12X1,75 U5588 6.8 ZN	ECROU M12X1,75 U5588 6.8 ZN	MUTTER M12X1,75 U5588 6.8 ZN	TUERCA M12X1,75 U5588 6.8 ZN
78	F01200306	DADO M14X 2 U5588 6.8 ZN	NUT M14X2	ECROU M14X2	MUTTER M14X2	DADO M14X2
79	F01220048	DADO M12X1,75 D980 8 ZN	NUT M12X1,75 D980 8 ZN	ECROU M12X1,75 D980 8 ZN	SCHIEBE M12X1,75 D980 8 ZN	TUERCA M12X1,75 D980 8 ZN
80	F01410051	ROS.M8 8,4X 17X1,6 U6592 ZN	WASHER M8 8,4X17X1,6 U6592 ZN	RONDEL. M8 8,4X17X1,6 U6592 ZN	SCHEIBE M8 8,4X17X1,6 U6592 ZN	ARANDELA M8 8,4X17X1,6 U6592ZN
81	F01410064	ROS.M10 10,5X 20X 2 U6592 ZN	WASHER M10 10,5X20X2 U6592 ZN	RONDELL.M10 10,5X20X2 U6592 ZN	SCHEIBE M10 10,5X20X2 U6592 ZN	ARAND. M10 10,5X20X2 U6592 ZN
82	F01410088	ROS.M14 15X 28X2,5 U6592 ZN	WAS.M14 15X 28X2,5 U6592 ZB	RON.M14 15X 28X2,5 U6592 ZB	SCH.M14 15X 28X2,5 U6592 ZB	ARA.M14 15X 28X2,5 U6592 ZB
83	F01420048	ROS.M8 8,4X 24X 2 U6593 ZN	WASHER M8 8,4X 24X 2 U6593 ZN	RONDELLE M8 8,4X 24X2 U6593 ZN	SCHEIBE M8 8,4X 24X 2 U6593 ZN	ARANDELA M8 8,4X 24X2 U6593 ZN
84	F02050101	ANELLO E. DE 25X 1,2 U7435 C70	SEEGER RING E. 25X1,2 7435 C70	SEEGER E. 25X 1,2 U7435 C70	SEEGERING E. 25X 1,2 U7435 C70	ANILLO E. 25X 1,2 U7435 C70
85	F02050615	ANELLO E. DE 28X 1,5 U7435 C70	STOP RING 28 UNI 7435-75	BAGUE DE SERRAGE 28 UNI 7435-7	DRAHTSPRENGRING 28 UNI 7435-75	ANILLO PARADA 28 UNI 7435-75
86	F02100109	SPINA E.P. 6X 24 U6873 C70 BR	PIN EL. .6 X24 DIN 1481	FICHE EL. 6 X24 DIN 1481	SPANNSTIFT 6 X24 DIN 1481	CLAVIJA EL.6 X24 DIN 1481
87	F02200342	COPIGLIA R 2X 50 ZN	SPRING SPLIT PIN 2X50 ZN	GOUPILLE R 2X50 ZN	SPLINT R 2X50 ZN	CHAVETA R 2X50 ZN
88	F02200363	COPIGLIA R 3X 62 ZN	SPRING SPLIT PIN 3X 62 ZN	GOUPILLE R 3X62	SPLINT R 3X62	CHAVETA R 3X62
89	F04010135	CUSC.D25 D47 B12 6005 2RS EX>	BEARING D25 D47 B12 6005 2RS			
90	F01020403	VITE M6X1X16 U5739 8.8 ZN	SCREW M6X1X16 U5739 8.8 ZN	VIS M6X1X16 U5739 8.8 ZN	SCHRAUBE M6X1X16 U5739 8.8 ZN	TORNILLO M6X1X16 U5739 8.8 ZN
91	G15829960	ATTACCO SX MOLLA COPRISEME				
92	F01420060	ROS.M10 10,5X 30X2,5 U6593 ZN	WASHER 10,5X30	RONDELLE 10,5X30	SCHEIBE 10,5X30	ARANDELA 10,5X30
93	G18800260	BOCCOLA 10,5X18X6 ZN				
94	G15882220	SUPPORTO COPRISEME SX				
95	F01200232	DADO M 6X 1 U5588 6.8 ZN	NUT 6 UNI 5588 6.8 GALVANIZED	ECROU 6 UNI 5588 6.8 ZN	MUTTER 6 UNI 5588 6.8 ZN	TUERCA 6 UNI 5588 6.8 ZN
96	G18902520	MOLLA TRAZ.ZN RASCHIATERRA				RESORTE TRAZ.ZN RASTRILLO
97	F01230034	DADO M 8X1,25 D982 8	SELF LOCK.NUT M8X1,25 D982 8ZN	ECROU AUTOBL.M8X1,25 D982 8 ZN	SELBST.MUTT.M8X1,25 D982 8 ZN	TUERCA AUTO. M8X1,25 D982 8 ZN
98	G15882240	COPRISEME SX				
99	F01060040	VITE M8X1,25X20 U5732 4.6 ZG	SCREW M8X1,25X20 U5732 4.6 ZN	VIS M8X1,25X20 U5732 4.6 ZN	SCHRA. M8X1,25X20 U5732 4.6 ZN	TORN. M8X1,25X20 U5732 4.6 ZN
100	G15882250	COPRISEME DX				
101	G15829970	ATTACCO DX MOLLA COPRISEME				
102	G15882230	SUPPORTO COPRISEME DX				
103	G18801610	BOCCOLA 10,25X16 X11 ZN	BUSHING 10.25 X 16 X 11- GALVA	BOITE 10-25X16 X11 ZN	BsCHSE 10-25X16 X11 ZN	CASQUILLO 10-25X16 X11 ZN



VARIANTI ELEMENTO OLIMPIA «W»
TAV. 330

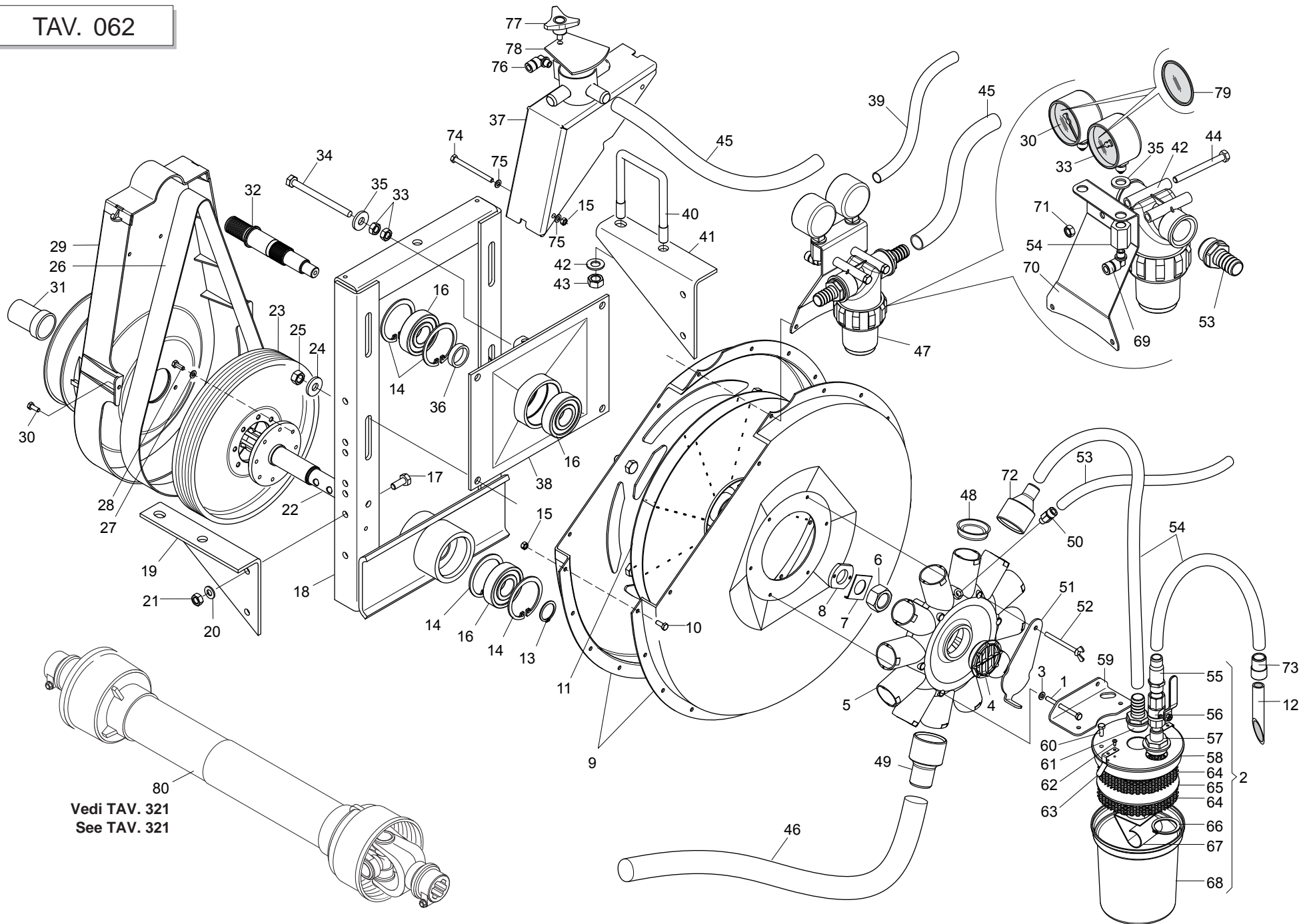
Pos.	Cod.	Descrizione	Description	Description	Benennung	Descripcion
1	F01020122	VITE M10X1,5X70 U5737 8.8 ZN	SCREW M10X1,5X 70 U5737 8.8 ZN	VIS 10X 1,5X 70 U5737 8.8 ZN	SCHR.10X 1,5X 70 U5737 8.8 ZN	TORN.10X 1,5X 70 U5737 8.8 ZN
2	F01060069	VITE M10X1,5X30 U5732 4.6 ZN	BOLT 10X30 5732 4.6	BOULON 10X30 5732 4.6	SCHRAUBE 10X30 5732 4.6	PERNO 10X30 5732 4.6
3	F01410064	ROS.M10 10,5X 20X 2 U6592 ZN	WASHER M10 10,5X20X2 U6592 ZN	RONDELL.M10 10,5X20X2 U6592 ZN	SCHLEIBE M10 10,5X20X2 U6592 ZN	ARAND. M10 10,5X20X2 U6592 ZN
4	F01200270	DADO M10X 1,5 U5588 6.8 ZN	NUT M10X 1,5 U5588 6.8 ZN	ECROU M10X 1,5 U5588 6.8 ZN	MUTTER M10X 1,5 U5588 6.8 ZN	TUERCA M10X 1,5 U5588 6.8 ZN
5	F01020432	VITE M 8X1,25X16 U5739 8.8 ZN	SCREW M8X 1.25X16 U5739 8.8 ZN	VIS M 8X16	SCHRAUBE M 8X16	TORNILLO M 8X16
6	F01020440	VITE M 8X1,25X25 U5739 8.8 ZN	BOLT M8X1,25X25 U5739 8.8 ZN	VIS M8X1,25X25 U5739 8.8 ZN	SCHRA. M8X1,25X25 U5739 8.8 ZN	TORNIL.M8X1,25X25 U5739 8.8 ZN
7	F01020472	VITE M10X1,5X25 U5739 8.8 ZN	BOLT 10X25 5739 8.G GALVANIZED	VIS 10X25 5739 8.G ZN	SCHRAUBE 10X25 5739 8.G ZN	TORNILLO 10X25 5739 8.G ZN
8	F01020485	VITE M10X1,5 X 50 5739 8.8 ZN	BOLT M 10X50	VIS M 10X50	SCHRAUBE M 10X50	TORNILLO M 10X50
9	G15827700	ATTACCO DISTRIBUTORE ANT.				
10	F01030056	VITE M 8X1,25X25 U5933 10.9 ZD	BOLT 8X25 5933 10.9 GALVANIZED	VIS 8X25 5933 10.9 ZN	SCHRAUBE 8X25 5933 10.9 ZN	TORNILLO 8X25 5933 10.9 ZN
11	G15881260	ALBERO	SHAFT	ARBRE	WELLE	EJE
12	F01200244	DADO M 8X1,25 U5588 6.8 ZN	NUT M8 X1,25 U5588 6.8 ZN	ECROU M8 X1,25 U5588 6.8 ZN	MUTTER M8 X1,25 U5588 6.8 ZN	TUERCA M8 X1,25 U5588 6.8 ZN
13	F01200270	DADO M10X 1,5 U5588 6.8 ZN	NUT M10X 1,5 U5588 6.8 ZN	ECROU M10X 1,5 U5588 6.8 ZN	MUTTER M10X 1,5 U5588 6.8 ZN	TUERCA M10X 1,5 U5588 6.8 ZN
14	F01020445	VITE M8X1,25X30 U5739 8.8 ZN	BOLT M8X30	VIS M 8X30	SCHRAUBE M 8X30	TORNILLO M 8X30
15	F02050101	ANELLO E. DE 25X 1,2 U7435 C70	SEEGER RING E. 25X1,2 7435 C70	SEEGER E. 25X 1,2 U7435 C70	SEEGERING E. 25X 1,2 U7435 C70	ANILLO E. 25X 1,2 U7435 C70
16	F01410064	ROS.M10 10,5X 20X 2 U6592 ZN	WASHER M10 10,5X20X2 U6592 ZN	RONDELL.M10 10,5X20X2 U6592 ZN	SCHLEIBE M10 10,5X20X2 U6592 ZN	ARAND. M10 10,5X20X2 U6592 ZN
17	F04010135	CUSC.D25 D47 B12 6005 2RS EX>	BEARING D25 D47 B12 6005 2RS			
18	G22250441	MOZZO CORONA SEMINATORE SV/2	PLANTING UNIT CROWN HUB SV/2	MOYEU COURONNE SEMEUR SV/2	KRANZNABE SZELEMENT SV/2	CUBO CORONA SEMBRADOR SV/2
19	F02100109	SPINA E.P. 6X 24 U6873 C70 BR	PIN EL. .6 X24 DIN 1481	FICHE EL. 6 X24 DIN 1481	SPANNSTIFT 6 X24 DIN 1481	CLAVIJA EL.6 X24 DIN 1481
20	G15725030	SUPPORTO CUSCINETTO	BEARING SUPPORT	SUPPORT PALIER	LAGERHALTERUNG	SOPORTE COJINETE
21	F06080016	CATENA 1/2 ISO 083 38 MAGLIE	CHAIN 1/2 ISO 083 38 LINKS	CHAINE 1/2 ISO 083 38 MAILLES	KETTE 1/2 ISO 083 38 GLIEDER	CADENA 1/2 ISO 083 38 ES LABNEL
22	F06080197	CATENA 1/2 ISO 083 58 MAGLIE	CHAIN 1/2 ISO 083 58 LINKS	CHAINE 1/2 ISO 083 58 MAILLES	KETTE 1/2 ISO 083 58 GLIEDER	CADENA 1/2 ISO 083 58 ES LABNEL
23	GA5820400	SUPPORTO CUSCINETTO OLIMPIA W				
24	F02050615	ANELLO E. DE 28X 1,5 U7435 C70	STOP RING 28 UNI 7435-75	BAGUE DE SERRAGE 28 UNI 7435-7	DRAHTSPRENGRING 28 UNI 7435-75	ANILLO PARADA 28 UNI 7435-75
25	G22250190	CORONA ASSE SEMINAT.Z-15 SV	PLANTING UNIT AXLE Z-15 RING G	COURONNE AXE SEMEUR Z-15 SV	KRANZ SZELEMENTACHSE Z-15 SV	CORONA EJE SEMBR. Z-15 SV
26	F01030060	VITE M 8X1,25X35 U5933 10.9 ZD	SCREW M8X1,25X35 U5933 8.8 ZD	VIS 8X35 5933 8.8 ZN	SCHRAUBE 8X35 5933 8.8 ZN	TORNILLO 8X35 5933 8.8 ZN
27	G15835360	BRACCIO TENDICATENA				
28	G22250028	PIGNONE Z-15 SV	Z-15 PINION SV	PIGNON Z-15 SV	RITZEL Z-15 SV	PIÑON Z-15 SV
29	G18801450	BOCCOLA 8,25 X18 X17	BUSHING 8,25 X 18 X 17	BOITE 8,25 X18 X17	BsCHSE 8,25 X18 X17	CASQUILLO 8,25 X18 X17
30	G19005110	RULLO TENDICATENA				
31	G22505085	FERMO ASSE IN LAMIERA	PLATE AXLE STOP	ARRET AXE EN TOLE	FESTSTELLVORRICHTUNG BLECHACHS	BLOQUEO EJE DE CHAPA
32	G15821110	BOCCOLA SUPPORTO COPRISEME	SEED COVER SUPP. BUSHING	BOITE SUPPORT COUVRE-SEMENCE	BsCHSE SAMENABDECKERHALTER.	CASQUILLO SOPORTE CUBRESEMILLA
33	F01420048	ROS.M8 8,4X 24X 2 U6593 ZN	WASHER M8 8,4X 24X 2 U6593 ZN	RONDELLE M8 8,4X 24X2 U6593 ZN	SCHLEIBE M8 8,4X 24X 2 U6593 ZN	ARANDELA M8 8,4X 24X2 U6593 ZN
34	G15881140	ASS.TUBO REGOLAZ.PROFONDITA				
35	G15827811	COPRISEME				
36	G19003400	ASTA INDICAZIONE PROFONDITA'	DEPTH INDICATING ROD	TIGE INDICATION PROFONDEUR	TIEFENANZEIGESTAB	VARILLA INDICACIÓN PROFUNDIDAD
37	F01070050	VITE M3,5X1,27X16 U6954 4.8NI	BOLT 3,5X1,27X 16 6954 4.8NI	VIS 3,5X1,27X 16 6954 4.8NI	SCHRAUBE 3.5X1.27X 16 6954 4.8	TORNILLO 3.5X1.27X 16 6954 4.8
38	F06220037	VOLANTINO ZIGR.D.26-M8 FEM				
39	G15881250	CARTER				
40	G15827860	ATTACCO DISTRIBUTORE POST.				
41	F06080023	CATENA 1/2 ISO 083 54 MAGLIE	CUT-DOWN CHAIN .1/2 ISO 083 54	TR. CH..1/2 ISO 083 54 MAILLE	KETTENZNGE 1/2 ISO 083 54 GL	TRECHO CADENA 1/2 ISO 083 54 E
42	G15829630	ASSE TRASMISSIONE	TRANSMISSION AXLE	AXE TRANSMISSION	ANTRIEBSACHSE	EJE TRANSMISIN
43	GA5820350	BILANCIERE SAGOMATO L1100				
44	G66248218	RONDELLA DISTAN.SPAND.	MAN. SPR. SPACER WASHER	RONDELLE ENTRETOISE EP. ENGRAI	ABSTANDSCHEIBE DsNGERSTREUER	ARANDELA DISTAN.ABONAD.
45	G19005460	BOCCOLA BILANCIERE	ROCKER BUSHING	BOITE BALANCIER	BsCHSE KIPPHEBEL	CASQUILLO BALANCON
46	GA5820310	SUPPORTO RUOTA COMPRESS.L170				
47	GA5820320	BILANCIERE SAGOMATO L875				



RUOTE E RUOTINI DI COMPRESSIONE

TAV. 242

Pos.	Cod.	Descrizione	Description	Description	Benennung	Descripcion
1	GA5820280	ANELLO INOX 168X23				
2	GA5820270	RUOTA INOX D.168X23 COMPL				
3	G15882490	PIATTO SX SUPP.BASCULANTE				
4	G15827610	PROLUNGA BILANCIERE				
5	G15827960	RUOTA GOMMA 250X170 MOZZO 180				
6	G15828440	RASCHIATERRA RUOTINI FS	WHEEL SOIL-SCRAPER FS	RACLEUR ROUE FS	ERDSCHABER FS	RASCADOR RUEDA FS
7	G15829160	RUOTA 250X170 COMPL.				
8	G15829760	MONT.RUOTA INOX D.250X170 FL.				
9	G15829610	BRACCIO PREMISEME				
10	G15829620	PRESSORE				
11	G18802980	BOCCOLA 15 X22 X7	BUSHING 15 X22 X7	BOITE 15 X22 X7	BsCHSE 15 X22 X7	CASQUILLO 15 X22 X7
12	G18903670	MOLLA COMPRESSIONE RUOTINO	COMPR. WHEEL SPRING	RESSORT COMPRESSION ROUET	FEDER DsNGUNG ROLLE	MUELLE COMPRESIN RUEDECILLA A
13	G66248100	RULLO TEND. SP	TIGHTENER ROLLER SP	ROULEAU TENDEUR SP	SPANNERROLLE SP	RODILLO TENSOR SP
14	G19004530	VOLANTINO PRESSORE (SEM.ORT.R)	HANDWHEEL	VOLANT	HANDRAD	VOLANTE
15	G19004560	BOCCOLA MOLLA PRESSORE	SPRING BUSHING	RESSORT	FEDER	CASQUILLO MUELLE
16	G19004961	DISTANZIALE 15X22X10				
17	G19005081	DISTANZIALE RUOTE INOX R				
18	G19005300	DISTANZIALE 15X22X4,5				
19	F04010125	CUSC.D15 D32 B9 6002 2RS1	BEARING D15 D32 B9 6002 2RS1	PALIER 6002 2RS1	LAGER 6002 2RS1	COJINETE 6002 2RS1
20	G19005331	FIANCO RUOTA D.168				
21	F01020114	VITE M10X1,5X50 U5737 8.8 ZN	SCREW M10X 1,5X50 U5737 8.8 ZN	VIS M10X 1,5X50 U5737 8.8 ZN	SCHRA.M10X 1,5X50 U5737 8.8 ZN	TORN. M10X 1,5X50 U5737 8.8 ZN
22	F01020472	VITE M10X1,5X25 U5739 8.8 ZN	BOLT 10X25 5739 8.G GALVANIZED	VIS 10X25 5739 8.G ZN	SCHRAUBE 10X25 5739 8.G ZN	TORNILLO 10X25 5739 8.G ZN
23	F01060016	VITE M6X1X30 U5732 4.6 ZN	BOLT 6X30 5732 4.6 GALVANIZED	VIS 6X30 5732 4.6 ZN	SCHRAUBE 6X30 5732 4.6 ZN	TORNILLO 6X30 5732 4.6 ZN
24	F01200270	DADO M10X 1,5 U5588 6.8 ZN	NUT M10X 1,5 U5588 6.8 ZN	ECROU M10X 1,5 U5588 6.8 ZN	MUTTER M10X 1,5 U5588 6.8 ZN	TUERCA M10X 1,5 U5588 6.8 ZN
25	F01240012	DADO M 6X 1 U5448 5.8 ZN	NUT 6 UNI 5448 5.8 ZN	ECROU 6 UNI 5448 5.8 ZN	MUTTER 6 UNI 5448 5.8 ZN	TUERCA 6 UNI 5448 5.8 ZN
26	F01410064	ROS.M10 10,5X 20X 2 U6592 ZN	WASHER M10 10,5X20X2 U6592 ZN	RONDELL.M10 10,5X20X2 U6592 ZN	SCHEIBE M10 10,5X20X2 U6592 ZN	ARAND. M10 10,5X20X2 U6592 ZN
27	F01420060	ROS.M10 10,5X 30X2,5 U6593 ZN	WASHER 10,5X30	RONDELLE 10,5X30	SCHEIBE 10,5X30	ARANDELA 10,5X30
28	F02200194	COPIGLIA 4X 25 U1336 ZN	SPLIT PIN 4 X25 1336 GALVAN.	GOUPILLE 4 X25 1336 ZN	SPLINT 4 X25 1336 ZN	PASADOR 4 X25 1336 ZN
29	F02200363	COPIGLIA R 3X 62 ZN	SPRING SPLIT PIN 3X 62 ZN	GOUPILLE R 3X62	SPLINT R 3X62	CHAVETA R 3X62
30	F06120066	RUOTINO FLEX 170 X 30	WHEEL FLEX 170X 30			
31	G15827980	ASSE RUOTA 250X170	WHEEL AXLE 250X170	AXE ROUE 250X170	RADACHSE 250X170	EJE RUEDA 250X170
32	G15826561	ASSE RUOTA 250X100	AXLE	AXE	ACHSE	EJE
33	G19005600	DISTANZIALE D.20 XD.27 X10.5				
34	F04010131	CUSC.D20 D42 B12 6004-2RSH EX>	BEARING D20 D42 B12 6004-2RSH	ROULEMENT 6004	LAGER 6004	COJINETE 6004
35	G19005320	FIANCO RUOTA D.250				
36	G15829770	ASS.ANELLO INOX D.250X170	RING D.250X170	BAGUE D.250X170	RING D.250X170	ANILLO D.250X170
37	G15829360	DISTANZIALE D.39-45 L.90,5 ZN				
38	F01030038	VITE M6X1X20 U5933 10.9 ZD	SCREW M6X 1X20 U5933 10.9 ZD	VIS M 6X20	SCHRAUBE M 6X20	TORNILLO M 6X20
39	G15882480	SUPP.BASCULANTE				
40	G15882470	PIATTO DX SUPP.BASCULANTE				
41	G18801680	BOCCOLA 11 X25 X7,5 ZN	BUSHING 11X25X7,5 GALVA	BOITE 11X25X7,5 ZN	BsCHSE 11X25X7,5 ZN	CASQUILLO 11X25X7,5 ZN
42	F01020043	VITE M6X1X60 U5737 8.8 ZN	SCREW M6X 1X60 U5737 8.8 ZN	VIS 6 X60 5737 8.G ZN	SCHRAUBE 6 X60 5737 8.G ZN	TORNILLO 6 X60 5737 8.G ZN
43	F01230022	DADO M 6X 1 D982 8 ZN	NORM.SELF-LOCKING NUT 6 GALVAN	ECROU AUTOB.NOR.6 ZN	SELBSTSP. MUTTER NOR.6 ZN	TUERCA AUTOB. NOR. 6 ZN
44	F01020404	VITE M6X1X20 U5739 8.8 ZN	SCREW M 6X 1X20 U5739 8.8 ZN	VIS 6X20 5739 8.G ZN	SCHRAUBE 6X20 5739 8.G ZN	TORNILLO 6X20 5739 8.G ZN
45	G15882180	PIASTRA				
46	G15882190	RASCHIATORE IN GOMMA				
47	G15882160	SUPPORTO DX				
48	G20980037	BOCCOLA 15X10,25X8	BUSHING 15X10,25X8	BOITE 15X10,25X8	BsCHSE 15X10,25X8	CASQUILLO 15X10,25X8
49	F01020470	VITE M10X1,5X20 U5739 8.8 ZN	BOLT M 10X20	VIS M 10X20	SCHRAUBE M 10X20	TORNILLO M 10X20
50	G15882171	SUPPORTO RASCHIATERRA GOMMA				
51	F01220011	DADO M 6X 1 D980 8 ZN	NUT M6X1 D980 8 ZN	ECROU M6X1 D980 8 ZN	MUTTER M6X1 D980 8 ZN	TUERCA M6X1 D980 8 ZN
52	G18904170	MOLLA SPORTELLO GRANDE	LARGE HATCH SPRING	RESSORT PORTILLON GRAND	GROSSE Klappe FEDER	MUELLE DE PORTILLO GRANDE
53	G15882150	SUPPORTO SX				
54	F01030041	VITE M6X1X10 U5933 10.9 ZD	BOLT 6x10 5933 10.9 GALVANIZ.	VIS 6x10 5933 10.9 ZN	SCHRAUBE 6x10 5933 10.9 ZN	TORNILLO 6x10 5933 10.9 ZN
55	F01410088	ROS.M14 15X 28X2,5 U6592 ZN	WAS.M14 15X 28X2,5 U6592 ZB	RON.M14 15X 28X2,5 U6592 ZB	SCH.M14 15X 28X2,5 U6592 ZB	ARA.M14 15X 28X2,5 U6592 ZB

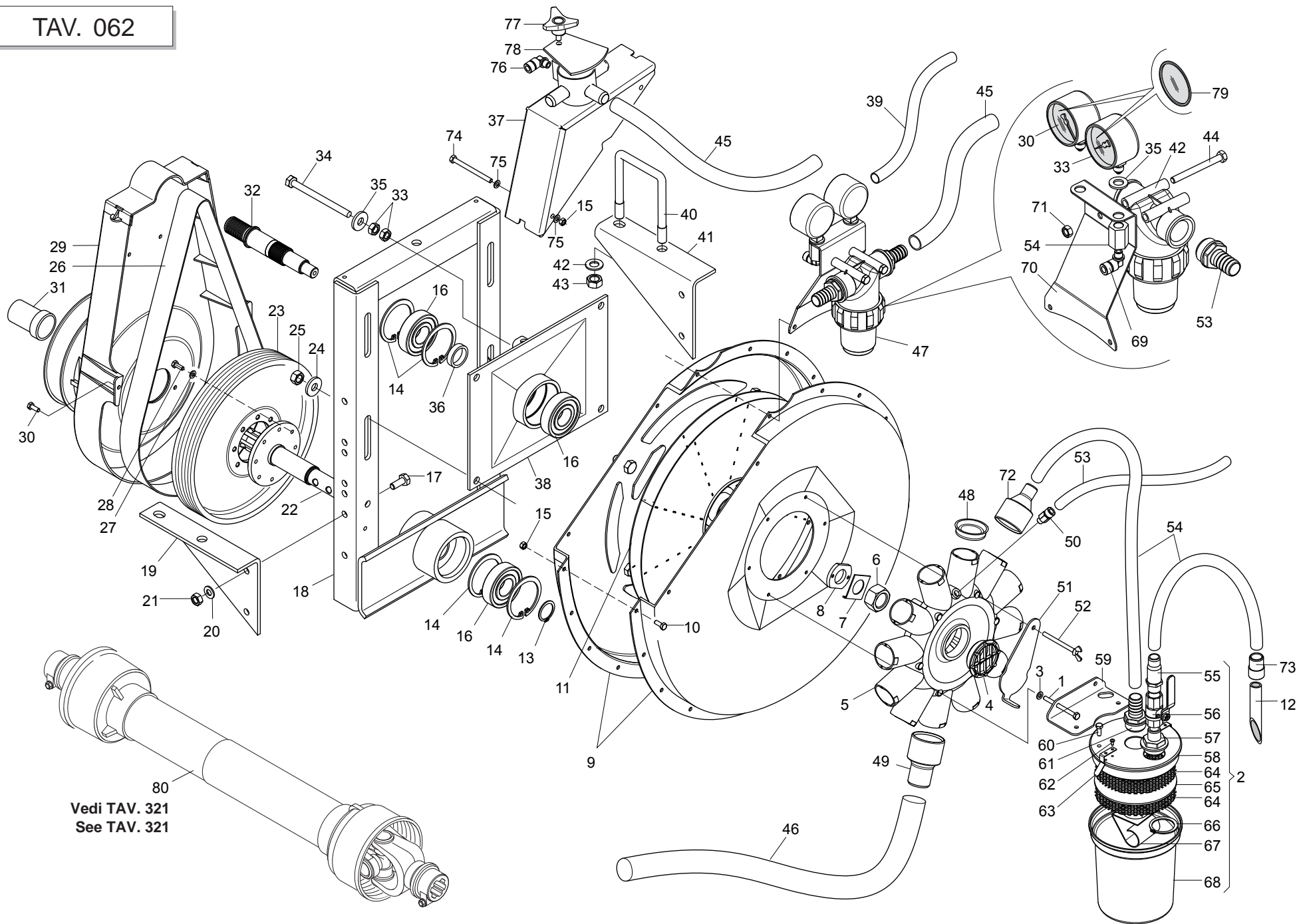


80
Vedi TAV. 321
See TAV. 321

DEPRESSORE

TAV. 062

Pos.	Cod.	Descrizione	Description	Description	Benennung	Descripcion
1	F01020047	VITE M6X1X70 U5737 8.8 ZN	SCREW M6X 1X70 U5737 8.8 ZN	VIS 6 X70 5737 8.G ZN	SCHRAUBE 6 X70 5737 8.G ZN	TORNILLO 6 X70 5737 8.G ZN
2	G15855361	ASPIRASEME COMPL	SEED SUCTION GROUP	GROUPE ASPIRATEUR DE GRAINES	GBL-SEAGGREGAT	GRUPO ASPIRASEMILLAS
3	F01430047	ROS.M6 6,4X 11X0,7 U8842J ZN	WASHER D6 DIN 6798 D.INT.GALV.	RONDELLE D6 DIN 6798 D. INT. Z	UNT. SCHEIBE D6 DIN 6798 D. IN	ARANDELA D6 DIN 6798 D.INT.ZN
4	G19005240	TAPPO ASPIRAZIONE FORATO	FLANGE	BRIDE	FLANSH	BRIDA
5	G19004480	CONVOGLIATORE 12 USCITE	CONVEYOR 12 OUTLETS	CONVOYEUR 12 SORTIES	TRICHTER MIT 12 AUSG-NGEN	TRANSPORTADOR 12 SALIDAS
6	F01230143	DADO M24X 2 D982 8 ZN	NUT M24X2 D982 8 ZN	ECROU M24X2 D982 8 ZN	MUTTER M24X2 D982 8 ZN	TUERCA M24X2 D982 8 ZN
7	G13912060	PIASTRINA DI TENUTA	STOP PLATE	PLAQUETTE DE TENUE	DICHTPLZTTCHEN	PLACA DE RETENCIN P
8	G13912050	RONDELLA DI FERMO	STOP WASHER	RONDELLE DE BLOCAGE	FESTSTELLSCHEIBE	ARANDELLA DE BLOQUEO
9	G22230335	INVOLUCRI DEPRESSORE	VACUUM PUMP CASINGS	ENVELOPPES DEPRESSEUR H	sLLEN VAKUUMPUMPE C	AJAS BOMBA VACO CA
10	F01020403	VITE M6X1X16 U5739 8.8 ZN	SCREW M6X1X16 U5739 8.8 ZN	VIS M6X1X16 U5739 8.8 ZN	SCHRAUBE M6X1X16 U5739 8.8 ZN	TORNILLO M6X1X16 U5739 8.8 ZN
11	G22230015	GIRANTE				
12	F03100277	TUBO PVC ANTIG.NEU.TRA.14X19	PIPE- ANTIFREEZE NEU.TRA.14X19	TUBE PVC TRA. 14X19	ROHR PVC FROSTSCHUTZNEU.TRA.14	TUBO PVC ANTICONG.14X19
13	F02050112	ANELLO E. DE 30X 1,5 U7435 C70	SEEGER RING 30X 1,5 U7435 C70	SEEGER E. 30 X 1,5 U7435 C70	SEEGERING E. 30X 1,5 U7435 C70	ANILLO E. 30 X 1,5 U7435 C70
14	F02050403	ANELLO E. DI 72X 2,5 U7437 C70	SEEGER RING E.72X2,5 U7437 C70	SEEGER E. 72X 2,5 U7437 C70	SEEGERING E. 72X 2,5 U7437 C70	ANILLO E. 72X 2,5 U7437 C70
15	F01220011	DADO M 6X 1 D980 8 ZN	NUT M6X1 D980 8 ZN	ECROU M6X1 D980 8 ZN	MUTTER M6X1 D980 8 ZN	TUERCA M6X1 D980 8 ZN
16	F04010215	CUSC.D30 D72 B19 6306 2RSC3 EX	BEARING D30 D72 B19 6306 2RSC3	PALIER 6306 2RS C3	LAGER 6306 2RS C3	COJINETE 6306 2RS C3
17	F01020472	VITE M10X1,5X25 U5739 8.8 ZN	BOLT 10X25 5739 8.G GALVANIZED	VIS 10X25 5739 8.G ZN	SCHRAUBE 10X25 5739 8.G ZN	TORNILLO 10X25 5739 8.G ZN
18	G15850200	INCASTELLATURA DEPRESSORE	DIFFUSION AIR PUMP FRAME	B-TI POMPE A D+PRESSION	GESTELL VAKUUMPUMPE	ARMAZÉN BOMBA VAC-O
19	G15450061	SUPPORTO SX				
20	F01430023	ROS.M10 10,5X 18X0,9 U8842J ZN	WASHER D10 DIN 6798 D.INT.ZN	RONDELLE D10 DIN 6798 D. INT.	UNT. SCHEIBE D10 DIN 6798 D.IN	ARANDELA D10 DIN 6798 D.INT.ZN
21	F01200270	DADO M10X 1,5 U5588 6.8 ZN	NUT M10X 1,5 U5588 6.8 ZN	ECROU M10X 1,5 U5588 6.8 ZN	MUTTER M10X 1,5 U5588 6.8 ZN	TUERCA M10X 1,5 U5588 6.8 ZN
22	G22270369	P.DI P.CON CODOLO	POWER TAKE-OFF- W/ SPIGOT	PRISE DE FORCE AVEC CONE	KRAFTABTRIEB MIT ENDSTsCK	TOMA DE FUERZA CON MANGO
23	G22230012	PULEGGIA MOTRICE	DRIVING PULLEY	POULIE MOTRICE 540T	ANTRIEBSSCHEIBE	POLEA MOTRIZ
24	F01420084	ROS.M14 14,5X 36X 3 U6593 ZN	GALVANIZED WASHER 14 X36 X3	RONDELLE 14 X36 X3 ZN	UNTERLEGSSCHEIBE 14 X36 X3 ZN	ARANDELA 14 X36 X3 ZN
25	F01200293	DADO M12X1,75 U5588 6.8 ZN	NUT M12X1,75 U5588 6.8 ZN	ECROU M12X1,75 U5588 6.8 ZN	MUTTER M12X1,75 U5588 6.8 ZN	TUERCA M12X1,75 U5588 6.8 ZN
26	F06010160	CINGHIA POLY V 1287 J-16 GOLE	BELT POLY V 1287 J-16 CU GAT	COURROIE POLY V 1287 J-16 GOR		BANDA POLY V 1287 J-16 GOLE
27	F01430047	ROS.M6 6,4X 11X0,7 U8842J ZN	WASHER D6 DIN 6798 D.INT.GALV.	RONDELLE D6 DIN 6798 D. INT. Z	UNT. SCHEIBE D6 DIN 6798 D. IN	ARANDELA D6 DIN 6798 D.INT.ZN
28	F01020403	VITE M6X1X16 U5739 8.8 ZN	SCREW M6X1X16 U5739 8.8 ZN	VIS M6X1X16 U5739 8.8 ZN	SCHRAUBE M6X1X16 U5739 8.8 ZN	TORNILLO M6X1X16 U5739 8.8 ZN
29	G15450342	PROTEZ.CINGHIA DEPRES.COMPLETO	BELT PROTECTION			
30	F03151288	VACUOM.0-100 MBAR C.SM.INC.D80	VACUUM METER 0-100 MBAR C.SMOR	VACUOMETRE 0-100 MBARS A/SUPPO	VAKUUMMETER 0-100 MBAR M. DZMP	VACUM. 0-100 MBAR C.ATEN.INC.V
31	G19002131	PROTEZIONE P.D.P.				
32	G15450390	PULEGGIA CONDOTTA	DRIVEN PULLEY D.28	POULIE ENTRAINEE D. 28	GETRIEBENE SCHEIBE D.28	POLEA CONDUCIDA D.28
33	F03151287	MANOM.0 A 25 MBAR C.SM.INC.D80	MANOM.0 TO 25 MBAR CUSHION D80			
34	G15450270	VITE 10X130 8.8 FIL.60 ZN	GALVANIZ. SCREW 10X130 8.8 FIL	VIS 10X130 8.8 FIL.60 ZN	SCHRAUBE 10X130 8.8 GEW.60 ZN	TORNILLO 10X130 8.8 FIL.60 ZN
35	F05150479	ROND.APPOGGIO MANOMETRI SV	PRESSURE GAUGE REST WASHER	ROND. LOGEMENT MANOMETRES SV	StsTZSCHEIBE MANOMETER SV	ARAND. SOPORTE MANOMETROS SV
36	G22230014	DISTANZIALE	SPACER	ENTRETOISE	DISTANZSTsCK	DISTANCIADOR
37	G15850140	CONVOGLIATORE	SEED FUNNEL	CONVOYEUR	TRICHTER	TRANSPORTADOR
38	G15850280	SUPPORTO PULEGGIA CONDOTTA				
39	F03100391	TUBO POLIURETANO 8-6	POLIURETHAN PIPE 8-6			
40	F20110770	CAV.Q.M14X 2X 50 96X119 ZN	U BOLT M14X2X50 96X119 ZN	BRIDE U M14X2X50 96X119 ZN	ANSCHLANG U M14X2X50 96X119 ZN	EL.DE EMPALME M14X2X50 96X119
41	G15450051	SUPPORTO DX				
42	F03151149	FILTRO LINEA 1'F 100 MESH	LINE FILTER 1'F 100 MESH	FILTRE LIGNE 1'F 100 MESH	LEITUNGSFILTER 1' F 100 MESH	FILTRO LINEA 1'F 100 MESH
43	F01200306	DADO M14X 2 U5588 6.8 ZN	NUT M14X2	ECROU M14X2	MUTTER M14X2	DADO M14X2
44	F01020086	VITE M 8X1,25X80 U5737 8.8 ZN	BOLT M8X1X80	VIS M8X1X80	SCHRAUBE M8X1X80	TORNILLO M8X1X80
45	F03100385	TUBO FLEX EOLO DIAM.22				
46	F03100500	TUBO EOLO 35 PU	TUBE EOLO 35 PU			
47	G15855370	FILTRO E MANOMETRI COMPL	FILTER AND PRESSURE GAUGE UNIT	GROUPE FILTRE ET MANOMETRES	FILTER- UND MANOMETERAGGREGAT	GRUPO FILTRO Y MANĒMETROS
48	F05050020	TAPPO SALVAFILETTO D.39	CONVEYOR PLUG D.39	BOUCHON PROTEGE-FILET D. 39	GEWINDESCHUTZPFROPFEN D.39	TAPN GUARDARROSCA D.39 D
49	G19005250	RIDUZIONE CONVOGLIATORE 45-35				
50	F03151197	RACC.SUPERAPIDO DRITTO 1/8G-8>				
51	G15855330	PORTELLO REGOLAZ.ASPIRAZIONE	ASPIRATION ADJUSTMENT FLAP	PORTE REGLAGE ASPIRATION	EINSTELLUNGSDECKEL GEBL-SE	REGISTRO REGULADOR DE ASPIRACI
52	F01090204	VITE M6X1X70 U5449 5.8 ZN	GALVAN. SCREW 6X70 5449 5.8	VIS 6X70 5449 5.8 ZN	SCHRAUBE 6X70 5449 5.8. ZN	TORNILLO 6X70 5449 5.8 ZN
53	F03151183	P/GOMMA 1"X22 M COD.2130	HOSE 1"X22 M	RACCORD PLASTIQUE 1"X22 M	P/GUMMI 1"X22 M	P/CAUCHO 1"X22 M
54	G22250274	COLLEGAMENTO MANOMETRI SP-SV	PRESSURE GAUGE CONNECT. SP-SV	RACCORD MANOMETRES SP-SV	VERBINDUNG MANOMETER SP-SV	CONEXIN MANMETROS SP-SV LE
55	F03151185	P/GOMMA PVC 1/2X20 >	PVC 1/2X20 RUBBER/TIRE-CARRIER	PORTE-ROUE PVC 1/2X20	REIFENHALTERUNG PVC 1/2X20	CARGA GOMA PVC 1/2X20

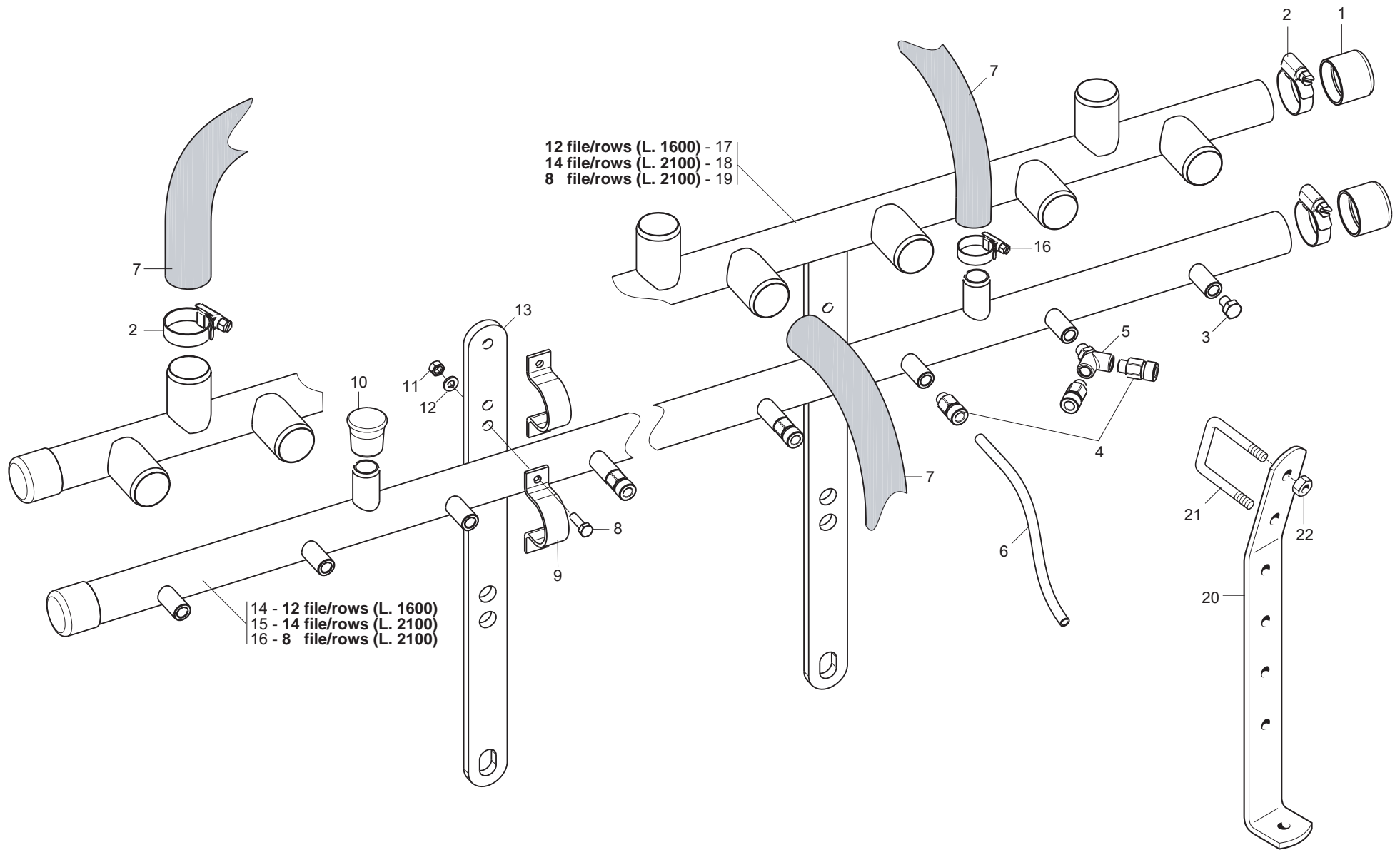


80
Vedi TAV. 321
See TAV. 321

DEPRESSORE

TAV. 062

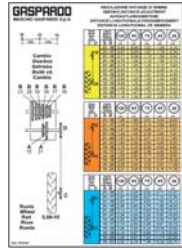
Pos.	Cod.	Descrizione	Description	Description	Benennung	Descripcion
56	F03151243	RUBINETTO	BREATHER TAP	BOUCHON REFOUL.	ENTLsFTUNGSPFROPFEN	TAPON PURGADOR
57	G15850300	RIDUZIONE G1'-G1/2'	REDUCTION G1'-G1/2'	REDUCTION G1'-G1/2'	UNTERSETZUNG G1'-G1/2'	REDUCCIN G1'-G1/2'
58	G10551031	COPERCHIO ASPIRASEMI				
59	G15855350	SUPPORTO ASPIRASEME	SEED SUCTION SUPPORT	SUPPORT ASPIRATEUR DE GRAINES	GEBL-SEHALTERUNG	SOPORTRE ASPIRA SEMILLAS
60	F01020403	VITE M6X1X16 U5739 8.8 ZN	SCREW M6X1X16 U5739 8.8 ZN	VIS M6X1X16 U5739 8.8 ZN	SCHRAUBE M6X1X16 U5739 8.8 ZN	TORNILLO M6X1X16 U5739 8.8 ZN
61	F03151183	P/GOMMA 1"X22 M COD.2130	HOSE 1"X22 M	RACCORD PLASTIQUE 1"X22 M	P/GUMMI 1"X22 M	P/CAUCHO 1"X22 M
62	F01070047	VITE M3,5X1,34X9,5 U6954 4.8NI	BOLT 3-5X 9-5 DIN 7981	VIS 3-5X 9-5 DIN 7981	SCHRAUBE 3-5X 9-5 DIN 7981	TORNILLO 3-5X 9-5 DIN 7981
63	G18904440	STAFFA FISSAGGIO BRACCI ZN				
64	G22250314	GRIGLIA FILTRO ASPIRASEMI SV	SEED SUCTION FILTER GRID SV	GRILLE FILTRE ASPIRATEUR DE GR	GITTER SAMENABSAUGERFILTER SV	REJILLA FILTRO ASPIRADOR DE SE
65	G22250315	FILTRO ASPIRASEMI SV	SEED SUCTION FILTER SV	FILTRE ASPIRATEUR DE GRAINES S	SAMENABSAUGERFILTER SV	FILTRO ASPIRADOR DE SEMILLAS S
66	F02050168	ANELLO E. DE 40X1,75 U7435 C70	SEEGER RING 40X1,75 U7435 C70	BAGUE SEEGER 40X1,75 U7435 C70	SEEGERRING 40X1,75 U7435 C70	ANIL.SEEGER 40X1,75 U7435 C70
67	G22250316	DEFLETTORE ASPIRASEMI SV	SEED SUCTION DEFLECTOR SV	DEFLECTEUR ASPIR.DE GRAINES SV	ABLENKER SAMENABSAUGER SV	DEFLECTOR ASPIRADOR DE SEMILLA
68	F05150389	CONTENIT.SOTTOVUOT.LT.2 AR.122	VACUUM CONTAINER LT.2 AR.122	CONTENEUR SOUS VIDE LT. 2 AR.	LUFTDICHTER BEHZLTER .L2 AR.	CONTENED. AL VACO LT. 2 AR.12C
69	F03150821	ADATT. OCCHIO 1/4 L.38	EYE UNION 1/4 L.38	RACCORD OEIL 1/4 L.38	TSENVERBINDUNGSSTsCK 1/4 L.38	UNIN OJO 1/4 L.38 R
70	G15855340	SUPP.FILTRO E MANOMETRI	FILTER AND PRESSURE GAUGE SUPP	SUPPORT FILTRE ET MANOMETRES	FILTER- UND MANOMETERHALTERUNG	SOPORTE FILTRO Y MANsMETROS
71	F01200244	DADO M 8X1,25 U5588 6.8 ZN	NUT M8 X1,25 U5588 6.8 ZN	ECROU M8 X1,25 U5588 6.8 ZN	MUTTER M8 X1,25 U5588 6.8 ZN	TUERCA M8 X1,25 U5588 6.8 ZN
72	G19005260	RIDUZIONE CONVOGLIATORE 45-22	CONVEYOR REDUCTION 45-22	REDUCTION DE CONVOYEUR 45-22	FTRDERERUNTERSETZUNG 45-22	REDUCCIN DE CONDUCTOR 45-22
73	G19005270	RIDUZIONE CONVOGLIATORE 22-19	CONVEYOR REDUCTION 22-19	REDUCTION DE CONVOYEUR 22-19	FTRDERERUNTERSETZUNG 22-19	REDUCCIN DE CONDUCTOR 22-19
74	F01020050	VITE M6X1X80 U5737 8.8 ZN	SCREW M6X 1X80 U5737 8.8 ZN	VIS 6 X80 5737 8.G ZN	SCHRAUBE 6 X80 5737 8.G ZN	TORNILLO 6 X80 5737 8.G ZN
75	F01420036	ROS.M6 6,4X 18X 2 U6593 ZN	FLAT WASHER 6-6X 18X2 6593 ZN	ROND. PLATE 6-6X 18X2 6593 ZN	SCHEIBE 6-6X 18X2 6593 ZN	ARAND. PLANA 6-6X 18X2 6593 ZN
76	F03151200	RACCORDO 90° C5 1/8' 6/8	UNION 90° C5 1/8' 6/8	RACCORD 90° C5 1/8" 6/8	ANSCHLUSSTsCK 90° C5 1/8' 6/8	UNION 90° C5 1/8" 6/8
77	F06220018	VOLANTINO 3LOBI D.65-M8X15	3-LOBE HANDWHEEL D.65-M8X15	VOLANT 3 LOBES D.65-M8X15	HANDRAD 3 BUCKEL D.65-M8X15	VOLANTE 3 LOBI D.65-M8X15
78	G22250118	PORTA CHIUSURA CAMERE SV	CHAMBER CLOSURE INSPECTION DOO	PORTE FERMETURE CHAMBRES SV	KAMMERN ABSCHLUSSTsR SV	PUERTA DE CIERRE CAMARAS SV
79	F03151356	VETRO VACUOM.0-100 MBAR D80				
80	F08011711	CARD.B1 Z6-Z6 L700				



IMPIANTO ASPIRAZIONE E SOFFIAGGIO

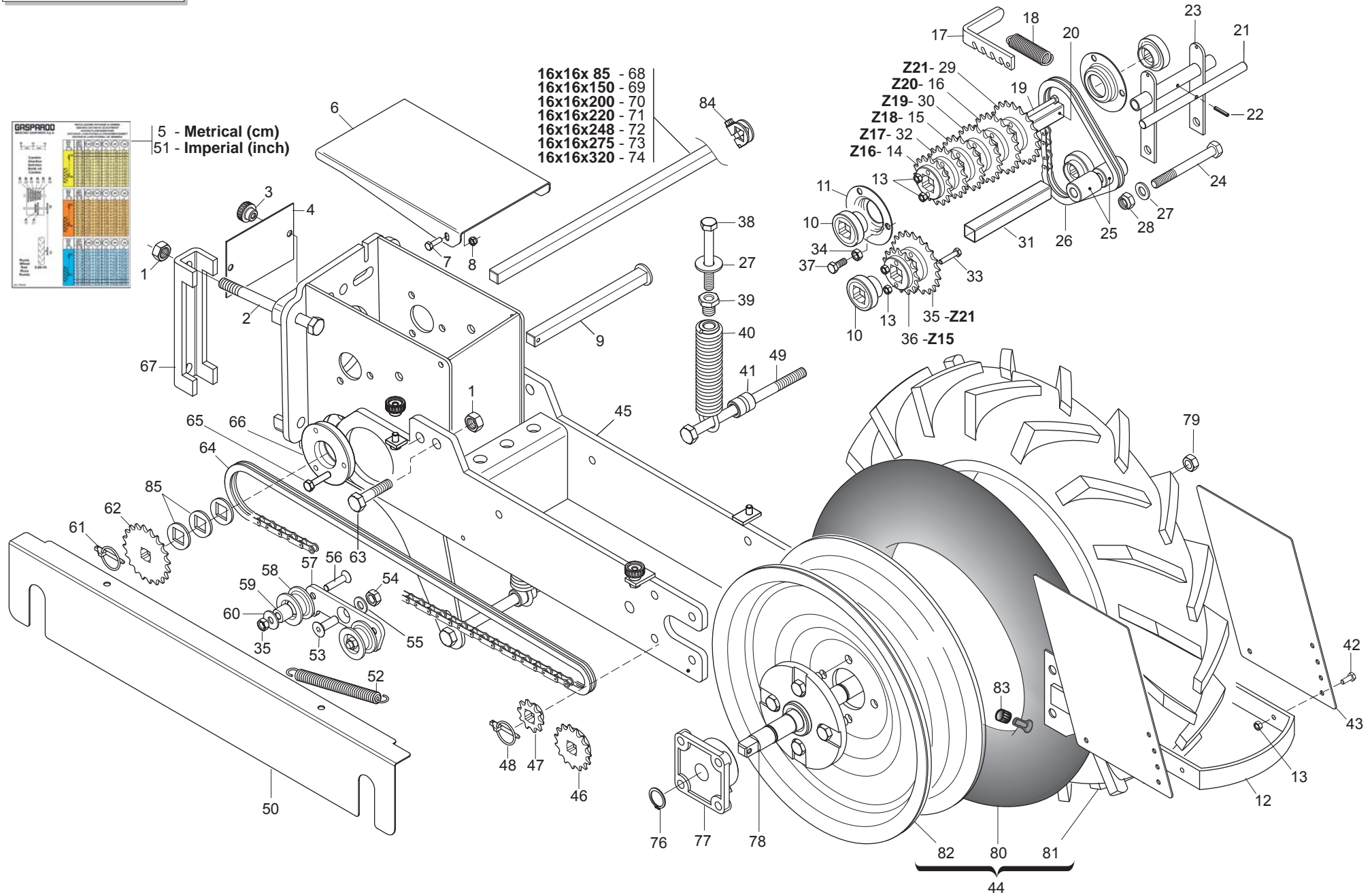
TAV. 071

Pos.	Cod.	Descrizione	Description	Description	Benennung	Descripcion
1	G66248098	TAPPO CONVOGLIATORE DEPR. SP	AIR PUMP CONVEYOR PLUG SP	BOUCHON CONVOYEUR TURBINE SP	VAKUUM FTRDERPFROPFEN SP	TAPN CONDUCTOR DEPR. SP D
2	F02300020	FASCETTA STRING. 32/50 H.9	STRING FASTEN.STRAPs 32/50 H.9	COLLIER 32/50 H.9	SHELLE 32/50 H.9	ABRAZADERA 32/50 H.8
3	F05150473	PUNTALE PVC D.20	PVC TIP D.20	EMBOUT PVC D. 20	STTSSELSCHAFT PVC D.20	PUNTAL PVC D.20
4	F03151197	RACC.SUPERAPIDO DRITTO 1/8G-8>				
5	F03151225	RACCORDO Y 1/8G F-F	UNION Y 1/8G F-F-M	RACCORD Y 1/8G F-F-M	ANSCHLUSSTsCK Y 1/8G F-F-M	UNIN Y 1/8G F-F-M
6	F03100391	TUBO POLIURETANO 8-	POLIURETHAN PIPE 8-6			
7	F03100500	TUBO EOLO 35 PU	TUBE EOLO 35 PU	TUBE EOLO 35 PU		
8	F01020404	VITE M6X1X20 U5739 8.8 ZN	SCREW M 6X 1X20 U5739 8.8 ZN	VIS 6X20 5739 8.G ZN	SCHRAUBE 6X20 5739 8.G ZN	TORNILLO 6X20 5739 8.G ZN
9	G22250091	FORCELLA SUPP.TUBI SV	FORK	FOURCHETTE SUPPORT TUBES SV	GABEL ROHRHALTERUNG SV	HORQUILLA SOPORTE TUBOS SV
10	F05150473	PUNTALE PVC D.20	PVC TIP D.20	EMBOUT PVC D. 20	STTSSELSCHAFT PVC D.20	PUNTAL PVC D.20
11	F01200232	DADO M 6X 1 U5588 6.8 ZN	NUT 6 UNI 5588 6.8 GALVANIZED	ECROU 6 UNI 5588 6.8 ZN	MUTTER 6 UNI 5588 6.8 ZN	TUERCA 6 UNI 5588 6.8 ZN
12	F01410037	ROS.M6 6,4X12,5X1,6 U6592 ZN	PLANE WASHER D.6	RONDELLE D.6	SCHEIBE D.6	ARANDELA D.6
13	G15855170	SUPPORTO RAMPASOFFIAGGIO	BLOWER RAMP SUPPORT	SUPPORT RAMPE SOUFFLAGE	GEBL-SERAMPENHALTERUNG	SOPORTE RAMPADA SOPLO
14	G15855150	RAMPASOFFIAGGIO 1600X12	1600X12 BLOW RAMP COUPLING	ASS. RAMPE SOUFFLAGE 1600X12	GEBL-SERAMPENKOMPLEX 1600X12	CONJ. RAMPADA SOPLO 1600X12
15	G15855240	RAMPASOFFIAGGIO 2100X14	2100X14 BLOW RAMP COUPLING	ASS. RAMPE SOUFFLAGE 2100X14	GEBL-SERAMPENKOMPLEX 2100X14	CONJ. RAMPADA SOPLO 2100X14
16	G15855280	RAMPASOFFIAGGIO 2100X8	2100X8 BLOW RAMP COUPLING	ASS. RAMPE SOUFFLAGE 2100X8	GEBL-SERAMPENKOMPLEX 2100X8	CONJ. RAMPADA SOPLO 2100X8
17	G15855140	RAMPASPIRAZIONE 1600X12	1600X12 BLOW RAMP COUPLING	ASS. RAMPE ASPIRATION 1600X12	GEBL-SERAMPENKOMPLEX 1600X12	CONJ. RAMPADA ASPIRACIEN 160
18	G15855230	RAMPASPIRAZIONE 2100X14	2100X14 BLOW RAMP COUPLING	ASS. RAMPE ASPIRATION 2100X14	GEBL-SERAMPENKOMPLEX 2100X14	CONJ.. RAMPADA ASPIRACIEN 210
19	G15855270	RAMPASPIRAZIONE 2100X8	2100X8 BLOW RAMP COUPLING	ASS. RAMPE ASPIRATION 2100X8	GEBL-SERAMPENKOMPLEX 2100X8	CONJ.. RAMPADA ASPIRACIEN 210
20	G15850000	SUPP.TUBI ASP. E SOFF.	PIPE SUPPORT	SUPPORT TUBES	ROHRHALTERUNG	SOPORTE TUBOS
21	F20110706	CAV.Q.M10X 1,5X 30 47X 60 ZN	DISK SUPPORT.ELEMENT U BOLT SV	CAVALIER SUPPORT DISQUE SV	VERBINDUNG SCHEIBENHALTERUNG S	PERNO EN U SOP. DISCO SV
22	F01200270	DADO M10X 1,5 U5588 6.8 ZN	NUT M10X 1,5 U5588 6.8 ZN	ECROU M10X 1,5 U5588 6.8 ZN	MUTTER M10X 1,5 U5588 6.8 ZN	TUERCA M10X 1,5 U5588 6.8 ZN



5 - Metric (cm)
51 - Imperial (inch)

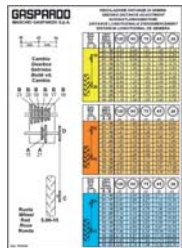
- 16x16x 85 - 68
- 16x16x150 - 69
- 16x16x200 - 70
- 16x16x220 - 71
- 16x16x248 - 72
- 16x16x275 - 73
- 16x16x320 - 74



RUOTA DI TRASMISSIONE

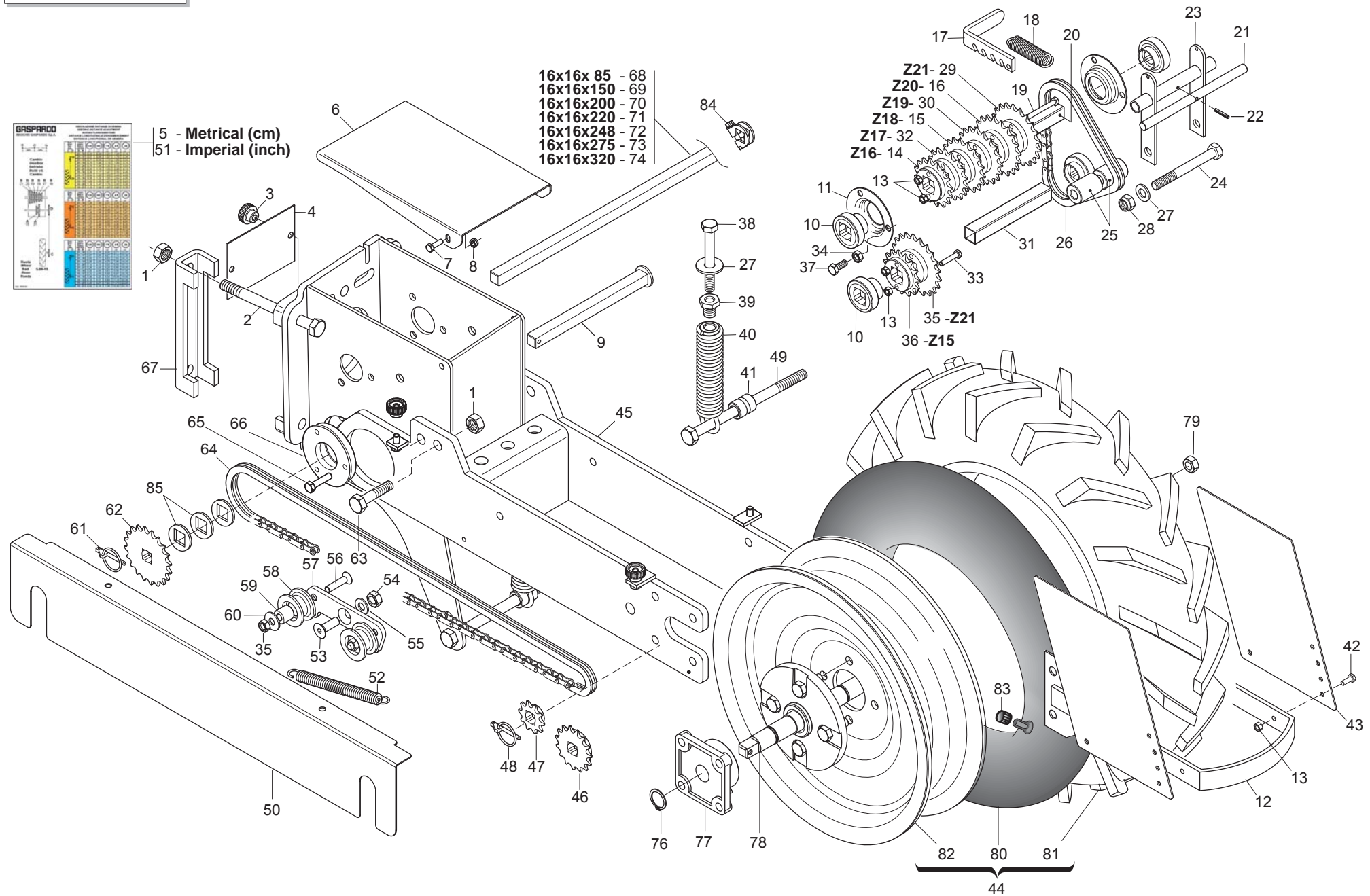
TAV. 081

Pos.	Cod.	Descrizione	Description	Description	Benennung	Description
1	F01200306	DADO M14X 2 U5588 6.8 ZN	NUT M14X2	ECROU M14X2	MUTTER M14X2	DADO M14X2
2	F01020221	VITE M14X2X140 U5737 8.8 BR	BOLT M 14 X140 5737 8.G	VIS M 14 X140 5737 8.G	SCHRAUBE M 14 X140 5737 8.G	TORNILLO M 14 X140 5737 8.G
3	F06220037	VOLANTINO ZIGR.D.26-M8 FEM				FOLLETO ZIGR.D.26-M8
4	G22250035	PORTA DI CHIUSURA SV	CLOSURE DOOR SV	PORTE DE FERMETURE SV	ABSCHLUSSsR SV	PUERTA DE CIERRE SV
5	G19704260	TABELLA DISTANZA DI SEMINA R	R SEED PLANTING DISTANCE TABLE	TABEAU DISTANCE DE SEMIS R	TABELLE AUSSAATSABSTAND R	TABLA DE DISTANCIA DE SIEMBRA
6	G15835170	COPERCHIO SCATOLA CAMBIO R.5"	GEARBOX COVER R.5"	COUVERCLE BOITE DE VITESSE R.5	DECKEL GETRIEBEGEHZUSE R.5"	TAPA CAJA DEL CAMBIO R.5"
7	F01040063	VITE M6X1X20 U5931 8.8 ZN	BOLT M 6	VIS M 6	SCHRAUBE M 6	TORNILLO M 6
8	F01230022	DADO M 6X 1 D982 8 ZN	NORM.SELF-LOCKING NUT 6 GALVAN	ECROU AUTOB.NOR.6 ZN	SELBSTSP. MUTTER NOR.6 ZN	TUERCA AUTOB. NOR. 6 ZN
9	G22250037	ASSE INF.CAMBIO SV	LOWER GEARBOX SPINDLE SV	AXE INF. BOITE DE VITESSE	UNTERE GETRIEBEACHSE SV	EJE INF. CAMBIO SV
10	G10538350	CUSCINETTO FORO QUADRO RIB.	SQUARE HOLE BEARING	PALIER TROU CARRE	LAGER VIERKANTLOCH	COJINETE ORIFICIO CUADRADO
11	G22230094	SUPPORTO CUSCINETTO	BEARING SUPPORT	SUPPORT PALIER	LAGERBsCHSE	SOPORTE COJINETE
12	G10530101	ASS.RASCHIATERRA	SOIL SCRAPER ASSEMBLY	GR. RACLEUR	ERDSCHABER	CONJ. RASC. TIERRA
13	F01200232	DADO M 6X 1 U5588 6.8 ZN	NUT 6 UNI 5588 6.8 GALVANIZED	ECROU 6 UNI 5588 6.8 ZN	MUTTER 6 UNI 5588 6.8 ZN	TUERCA 6 UNI 5588 6.8 ZN
14	G10530690	PIGNONE Z16 1/2-3/16 Q.20,5 ZN	GEAR Z16 1/2-3/16 Q.20,5 ZN	GEAR Z16 1/2-3/16 Q.20,5 ZN		
15	G22250045	CORONA CAMBIO Z-18 SV	GEARBOX RING GEAR Z-18 SV	COURONNE BOITE DE VITESSE	GETRIEBEKRANZ Z-18 SV	CORONA CAMBIO Z-18 SV
16	G22250047	CORONA CAMBIO Z-20 SV	GEARBOX RING GEAR Z-20 SV	COURONNE BOITE DE VITESSE	GETRIEBEKRANZ Z-20 SV	CORONA CAMBIO Z-20 SV
17	G22250038	MANIGLIA SV	HANDLE SV	POIGNEE SV	GRIFF SV	MANIJA SV
18	G65337005	MOLLA TRAZ.CAMBIO SV	TRACTION COUPLING SPRING- GEAR	RESSORT TRACT.BOITE DE VITESSE	ZUGFEDER GETRIEBE SV	MUELLE TRAC. CAMBIO SV
19	F01020050	VITE M6X1X80 U5737 8.8 ZN	SCREW M6X 1X80 U5737 8.8 ZN	VIS 6 X80 5737 8.G ZN	SCHRAUBE 6 X80 5737 8.G ZN	TORNILLO 6 X80 5737 8.G ZN
20	G10530361	TUBO Q. 20X1,2X 107	SQUARE PIPE 20X1,2X 110			
21	G22250040	SPINA TENDICATENA SV	CHAIN TIGHTENER PIN SV	BROCHE TENDEUR DE CHAINE SV	KETTENSANNERSTIFT SV	CLAVIJA TENSOR DE CADENA SV
22	F02100062	SPINA E.P. 4X 24 U6873 C70 BR	PIN EL. 4 X24 DIN 1481	FICHE EL. 4 X24 DIN 1481	SPANNSTIFT 4 X24 DIN 1481	CLAVIJA EL.4 X24 DIN 1481
23	G10530271	TENDICATENA CAMBIO				
24	F01020172	VITE M12X1,75X110 5737 8.8 ZN	SCREW M12X1,75X110 5737 8.8 ZN	VIS 12X110 5737 8.G ZN	SCHRAUBE 12X110 5737 8.G ZN	TORNILLO 12X110 5737 8.G ZN
25	G66248024	RULLO TEND. SP	TIGHTENER ROLLER SP	ROULEAU TENDEUR SP	SPANNERROLLE SP	RODILLO TENSOR SP
26	F06080017	CATENA 1/2 ISO 083 42 MAGLIE	CHAIN 1/2 ISO 083 42 SHACKLE			
27	F01430071	ROS.M12 13X20,5X 1 U8842J ZN	WASHER D12 DIN 6798 D.INT.ZN	RONDELLE D12 DIN 6798 D. INT.	UNT. SCHEIBE D12 DIN 6798 D.IN	ARANDELA D12 DIN 6798 D.INT.ZN
28	F01230058	DADO M12X1,25 D982 8 ZN	NUT M12X1,25 D982 8 ZN	ECROU M12X1,25 D982 8 ZN	MUTTER M12X1,25 D982 8 ZN	DADO M12X1,25 D982 8 ZN
29	G22250048	CORONA CAMBIO Z-21 SV	GEARBOX RING GEAR Z-21 SV	COURONNE BOITE DE VITESSE	GETRIEBEKRANZ Z-21 SV	CORONA CAMBIO Z-21 SV
30	G22250046	CORONA CAMBIO Z-19 SV	GEARBOX RING GEAR Z-19 SV	COURONNE BOITE DE VITESSE	GETRIEBEKRANZ Z-19 SV	CORONA CAMBIO Z-19 SV
31	G22250053	DISTAN.INFERIORE SV	LOWER SPACER SV	ENTRETOISE INF. SV	UNTERES DISTANZSTsCK SV	DISTAN. INFERIOR SV
32	G22250044	CORONA CAMBIO Z-17 SV	GEARBOX RING GEAR Z-17 SV	COURONNE BOITE DE VITESSE	GETRIEBEKRANZ Z-17 SV	CORONA CAMBIO Z-17 SV
33	F01020408	VITE M6X1X30 U5739 8.8 ZN	BOLT M6X1X30	VIS M6X1X30	SCHRAUBE M6X1X30	TORNILLO M6X1X30
34	F01200244	DADO M 8X1,25 U5588 6.8 ZN	NUT M8 X1,25 U5588 6.8 ZN	ECROU M8 X1,25 U5588 6.8 ZN	MUTTER M8 X1,25 U5588 6.8 ZN	TUERCA M8 X1,25 U5588 6.8 ZN
35	G22250048	CORONA CAMBIO Z-21 SV	GEARBOX RING GEAR Z-21 SV	COURONNE BOITE DE VITESSE	GETRIEBEKRANZ Z-21 SV	CORONA CAMBIO Z-21 SV
36	G22250050	CORONA CAMBIO Z-15 SV	GEARBOX RING GEAR Z-15 SV	COURONNE BOITE DE VITESSE	GETRIEBEKRANZ Z-15 SV	CORONA CAMBIO Z-15 SV
37	F01020432	VITE M 8X1,25X16 U5739 8.8 ZN	SCREW M8X 1.25X16 U5739 8.8 ZN	VIS M 8X16	SCHRAUBE M 8X16	TORNILLO M 8X16
38	F01020526	VITE M12X1,75X100 5739 8.8 ZN	SCREW M12X1,75X100 5739 8.8 ZN	VIS 12X100 5739 8.G ZN	SCHRAUBE 12X100 5739 8.G ZN	TORNILLO 12X100 5739 8.G ZN
39	G15220120	VITE REGOLAZIONE ZN	REGULATION BOLT	VIS RÉGLAGE ZN	STELLSCHRAUBE ZN	TORNILLO REGULACIÓN ZN
40	G13825210	MONT.MOLLA PRESS.USA >				
41	G15830440	BOCCOLA MOLLA TRAZIONE ZN.	GALVANIZED BUSH EXTENSION SPR	DOUILLE RESSORT TRACTION ZN	ZUGFEDERBUCHSE	MANGUITO MUELLE DE TRACCIÉN GA
42	F01020403	VITE M6X1X16 U5739 8.8 ZN	SCREW M6X1X16 U5739 8.8 ZN	VIS M6X1X16 U5739 8.8 ZN	SCHRAUBE M6X1X16 U5739 8.8 ZN	TORNILLO M6X1X16 U5739 8.8 ZN
43	G15830141	PARAFANGO	MUDGARD/FENDER	PARE-BOUE	KOTFL_GEL	GUARDABARRO
44	F06120113	RUOTA COMPL.5.00-15 6PR DX	COMPL. WHEEL 5.00-15 6PR RH.	ROUE COMPL. 5.00-15 6PR DRT.	RAD KOMPL.5.00-15 6PR RE	RUEDA COMPL.5.00-15 6PR DER.
45	G15835111	ASS.BRACCI RUOTA TRASMISSIONE	TRANSMISSION WHEEL ARMS ASSEM	GR. BRAS ROUE ENTRAINEMENT	ANTRIEBSRADARME	RUEDA DE TRANSMISIN R
46	G22250028	PIGNONE Z-15 SV	Z-15 PINION SV	PIGNON Z-15 SV	RITZEL Z-15 SV	PIsN Z-15 SV P
47	G22250006	INGR.CON MOZZO 1/2 Z-10 SV	GEARS- W/ HUB 1/2 Z-10 SV	ENGRENAGE AVEC MOYEU 1/2 Z-10	ZAHNRAD MIT NABE 1/2 Z-10 SV	ENGRAN.CON PERNO 1/2 Z-10 SV
48	F02200452	SPINA SCATTO D.4,4 B/80 ZN	SNAP PIN D4,4 B/80 ZN	FICHE A DETENTE D4,4 B/80 ZN	EINRASTSTIFT D4,4 B/80 ZN	CLAVIJA DE MUELLE D4,4 B/80 ZN
49	F01020229	VITE M14X2X180 U5737 8.8 BR	SCREW 14X180 5737 8.G	VIS 14X180 5737 8.G	SCHRAUBE 14X180 5737 8.G	TORNILLO 14X180 5737 8.G
50	G15835241	CARTER RUOTA TRASMISSIONE R				
51	G19708000	DECAL.CAMBIO R.5,00-15 R INCH				
52	G65337035	MOLLA TENDICATENA RUOTA DP				
53	F01030084	VITE M10X1,5X25 U5933 10.9 ZD	BOLT 10 X25 5933 10.9 GALVANIZ	VIS 10 X25 5933 10.9 ZN	SCHRAUBE 10 X25 5933 10.9 ZN	TORNILLO 10 X25 5933 10.9 ZN
54	F01220033	DADO M10X 1,5 D980 8 ZN	NUT M10X 1,5 D980 8 ZN	ECROU M10X 1,5 D980 8 ZN	MUTTER M10X 1,5 D980 8 ZN	TUERCA M10X 1,5 D980 8 ZN



5 - Metric (cm)
51 - Imperial (inch)

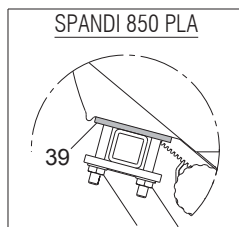
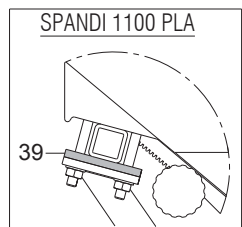
- 16x16x 85 - 68
- 16x16x150 - 69
- 16x16x200 - 70
- 16x16x220 - 71
- 16x16x248 - 72
- 16x16x275 - 73
- 16x16x320 - 74



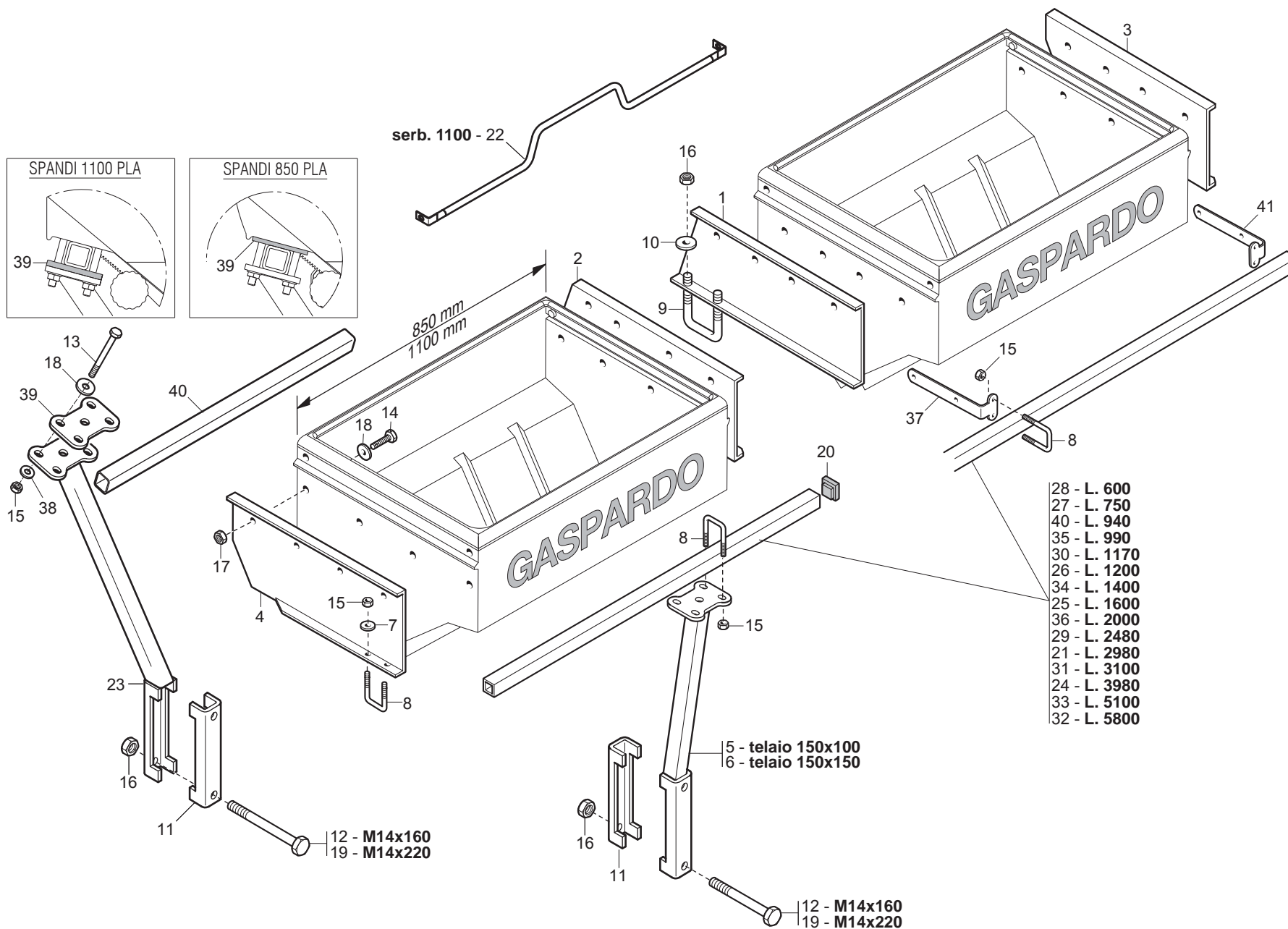
RUOTA DI TRASMISSIONE

TAV. 081

Pos.	Cod.	Descrizione	Description	Description	Benennung	Description
55	F01410064	ROS.M10 10,5X 20X 2 U6592 ZN	WASHER M10 10,5X20X2 U6592 ZN	RONDELL.M10 10,5X20X2 U6592 ZN	SCHEIBE M10 10,5X20X2 U6592 ZN	ARAND. M10 10,5X20X2 U6592 ZN
56	F01030060	VITE M 8X1,25X35 U5933 10.9 ZD	SCREW M8X1,25X35 U5933 8.8 ZD	RONDELLE M8 8,4X 24X2 U6593 ZN	SCHRAUBE 8X35 5933 8.8 ZN	TORNILLO 8X35 5933 8.8 ZN
57	G15830460	TENDICATENA SEM. R	SEEDER CHAIN TIGHTENER R	TENDEUR DE CHAINE SEMEUR R	KETTENSPELLER SZELEMENT R	TENSOR DE CADENA SEMBRADOR R
58	G19005110	RULLO TENDICATENA				RODILLO TENSIONA CADENA
59	G18801450	BOCCOLA 8,25 X18 X17	BUSHING 8,25 X 18 X 17	BOITE 8,25 X18 X17	BsCHSE 8,25 X18 X17	CASQUILLO 8,25 X18 X17
60	F01420048	ROS.M8 8,4X 24X 2 U6593 ZN	WASHER M8 8,4X 24X 2 U6593 ZN	RONDELLE M8 8,4X 24X2 U6593 ZN	SCHEIBE M8 8,4X 24X 2 U6593 ZN	ARANDELA M8 8,4X 24X2 U6593 ZN
61	F02200452	SPINA SCATTO D.4,4 B/80 ZN	SNAP PIN D4,4 B/80 ZN	FICHE A DETENTE D4,4 B/80 ZN	EINRASTSTIFT D4,4 B/80 ZN	CLAVIJA DE MUELLE D4,4 B/80 ZN
62	G20910039	INGRANAGGIO SUP.Z-20 FERRO *				
63	F01020231	VITE M14X2X190 U5737 8.8 BR	SCREW M14X2 X190 5737 8.8 BR	VIS M 14 X190 5737 8.G	SCHRAUBE M 14 X190 5737 8.G	TORNILLO M 14 X190 5737 8.G
64	F06080111	CATENA 1/2 ISO 084 113 MAGLIE	CHAIN 1/2 ISO 084 113			
65	F01020445	VITE M8X1,25X30 U5739 8.8 ZN	BOLT M8X30	VIS M 8X30	SCHRAUBE M 8X30	TORNILLO M 8X30
66	G22310011	FLANGIA CAMBIO DP	GEARBOX FLANGE DP	BRIDE BOITE DE VITESSE DP	FLANSCH GETRIEBE DP	BRIDA CAMBIO DP
67	G15110091	SCONTRO A U	STRIKER	BRIDE 150 MM	ANSCHLAG	ELEMENTO DE EMPALME
68	G10920400	ASSE TRASM.L.850	TRANSMISSION AXLE L850	AXE TRANSMISSION L.850	ANTRIEBSACHSE L.850	EJE TRANSMISIN L 850
69	G22270089	ASSE TRASM.SEMINAT.L.1500 SP	AXLE- SEEDING MACH.. GEARBOX L	AXE ENTRAINEMENT SEMEUR L. 150	ACHSE SZELEMENTANTRIEB.L.1500	EJE TRANS.SEMBR. L.1500 SP
70	G22230141	ASSE SEMINAT.6F.CM.80 L.2000	AXLE- 6-ROW SEEDER MACH. 80 CM	AXE SEMEUR 6 RANGEES CM. 80 L.	ACHSE SZALEMENT 6 R.CM.80 L.2	EJE SEMBR. 6 FILAS. CM.80 L.20
71	G22250276	ASSE TRASM.SEMINAT.L.2200 SV	AXLE- SEEDING MACH. GEARBOX L.	AXE ENTRAINEMENT SEMEUR L. 220	ACHSE SZELEMENT-ANTRIEB.L.2200	EJE TRANS.SEMBR. L.2200 SV
72	G22250275	ASSE TRASM.SEMINAT.L.2750 SV	AXLE- SEEDING MACH. GEARBOX L.	AXE ENTRAINEMENT SEMEUR L. 275	ACHSE SZELEMENTANTRIEB L.2750	EJE TRANS.SEMBR. L.2750 SV
73	G22250031	ASSE TRASM.SEMINAT.L.3200 SV	AXLE- SEEDING MACH. GEARBOX L.	AXE ENTRAINEMENT SEMEUR L.3200	ACHSE SZELEMENTANTRIEB L.3200	EJE TRANS.SEMBR. L.3200 SV
74	G13732200	ASSE TRASMISSIONE L.2485	TRANSMISSION AXLE L2485	AXE TRANSMISSION L.2485	sBERTRAGUNGSACHSE L.2485	EJE TRANSMISIN L 2485 A
75	G15835131	ASS.SCATOLA CAMBIO R.5"				
76	F02050101	ANELLO E. DE 25X 1,2 U7435 C70	SEEGER RING E. 25X1,2 7435 C70	SEEGER E. 25X 1,2 U7435 C70	SEEGERING E. 25X 1,2 U7435 C70	ANILLO E. 25X 1,2 U7435 C70
77	F04100137	SUPPORTO FY 25 TF	SUPPORT FY 25 TF			
78	G22250323	ASSE RUOTA SV	WHEEL AXLE SV	AXE ROUE SV	RADACHSE SV	EJE RUEDA SV
79	F01250040	DADO COLON. 12X1.5 ZN	COLUMN NUT M12X1.5 STUD BOLT	ECROU M12X1. 5 COLONNE	SCHRAUBBOLZENMUTTER M12X1.5	TUERCA 12X1.5 COLUMNA
80	F06120134	CAMERA 15 L 290	INNER TUBE 15 L.290	CHAMBRE 15 L 290	KAMMER 15 L 290	CAMARA 15 L 290
81	F06120170	COPERTURA 5.00-15 IM 110 6PR	TYRE 500-15 IM110 4PR	COUVERTURE 500-15 IM110 4PR	MANTEL 500-15 IM110 4PR	CUBIERTA 500-15 IM110 4PR
82	F06120206	CERCHIO 3.00 D 15 PV RAL 9001				
83	F05050025	CAPPELOTTO PROTEZ. X VALV.PVC				
84	G22505085	FERMO ASSE IN LAMIERA	PLATE AXLE STOP	ARRET AXE EN TOLE	FESTSTELLVORRICHTUNG BLECHACHS	BLOQUEO EJE DE CHAPA
85	G66248218	RONDELLA DISTAN.SPAND.	MAN. SPR. SPACER WASHER	RONDELLE ENTRETOISE EP. ENGRAI	ABSTANDSCHEIBE DsNGERSTREUER	ARANDELA DISTAN.ABONAD.



serb. 1100 - 22



- 28 - L. 600
- 27 - L. 750
- 40 - L. 940
- 35 - L. 990
- 30 - L. 1170
- 26 - L. 1200
- 34 - L. 1400
- 25 - L. 1600
- 36 - L. 2000
- 29 - L. 2480
- 21 - L. 2980
- 31 - L. 3100
- 24 - L. 3980
- 33 - L. 5100
- 32 - L. 5800

5 - telaio 150x100
6 - telaio 150x150

12 - M14x160
19 - M14x220

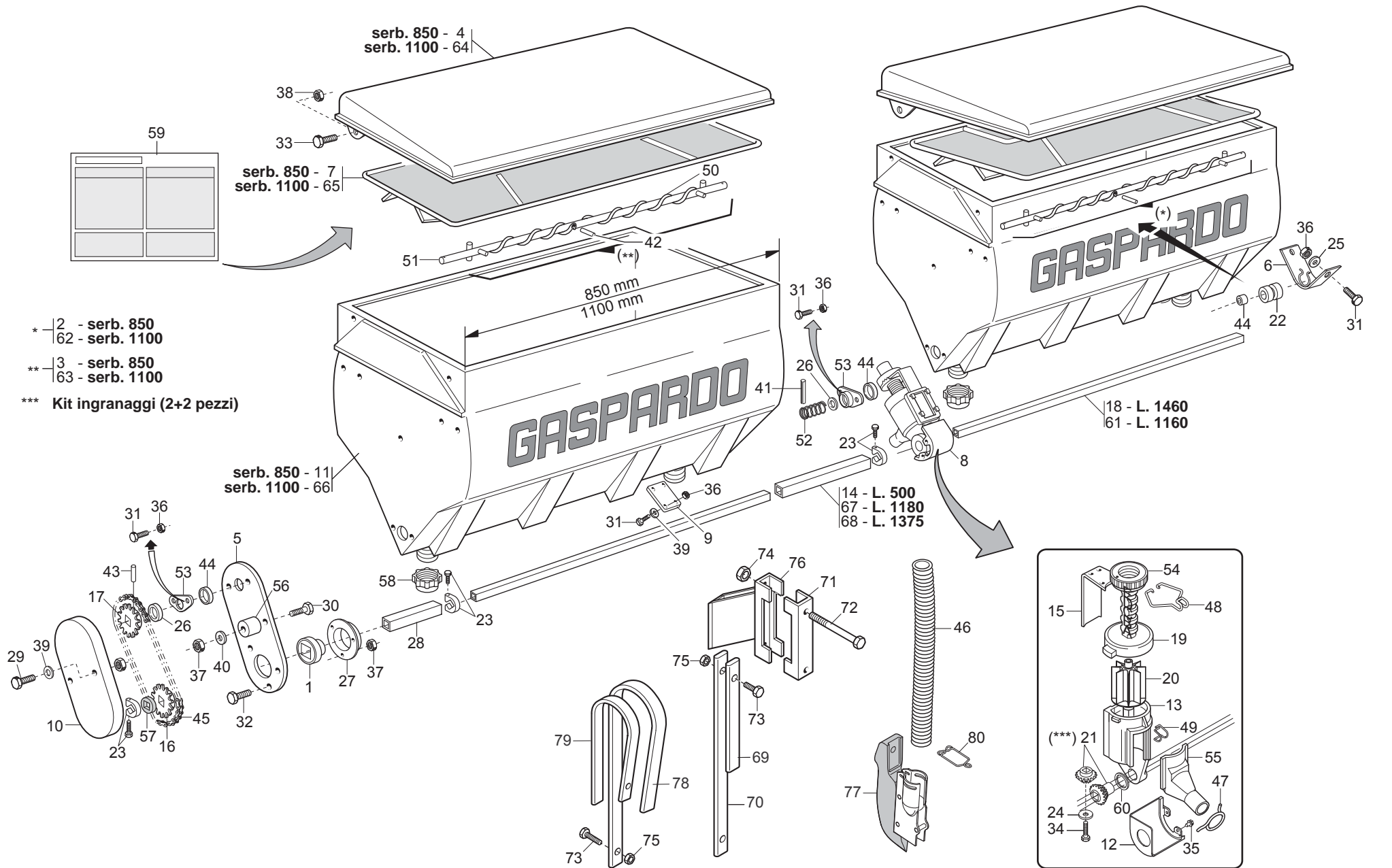
12 - M14x160
19 - M14x220

SUPPORTI SPANDICONCIME IN PLASTICA

TAV. 141

Pos.	Cod.	Descrizione	Description	Description	Benennung	Descripcion
1	G15470632	SUPP.SPANDI CENTR.DX				
2	G15470642	SUPP.SPANDI CENTR.SX				
3	G15171380	SUPPORTO ESTERNO SPANDI DX *	MAN.SPR. EXT. RIGHT SUPPORT	SUPPORT EXT. DRT. EP. ENGRAIS	RECHTE ZUSSERE HALTER.DsNGERST	SOPORTE EXT.DER. ABONADORA .
4	G15171390	SUPPORTO ESTERNO SPANDI SX *	MAN.SPR.EXT.LEFT SUPPORT	SUPPORT EXT. GCH. EP. ENGRAIS	LINKER ZUSSERE HALTER.DsNGERST	SOPORTE EXTERIOR IZQ.ABONADORA
5	G16670011	SUPPORTO SPANDI	SPREADER SUPPORT	SUPPORT +PANDEUR	HALTERUNG SPANDI	SOPORTE ABONADORA
6	G15472901	SUPPORTO SPANDI Q.150	SQ. FERTILIZER SPREADER SUPPOR	SUPPORT +PANDEUR CARR+ 150	HALTERUNG SPANDI Q.150	SOPORTE ABONADORA Q.150
7	G18701140	RONDELLA 11 X35 X5	WASHER 11 X 35 X 5	RONDELLE 11 X35 X5	UNTERLEGSCHIEBE 11 X35 X5	ARANDELA 11 X35 X5
8	F20110706	CAV.Q.M10X 1,5X 30 47X 60 ZN	DISK SUPPORT.ELEMENT U BOLT SV	CAVALIER SUPPORT DISQUE SV	VERBINDUNG SCHEIBENHALTERUNG S	PERNO EN U SOP. DISCO SV
9	F20110770	CAV.Q.M14X 2X 50 96X119 ZN	U BOLT M14X2X50 96X119 ZN	BRIDE U M14X2X50 96X119 ZN	ANSCHLANG U M14X2X50 96X119 ZN	EL.DE EMPALME M14X2X50 96X119
10	G20970142	RONDELLA 32X4X15,5	WASHER 32X4X15-5	RONDELLE 32X4X15-5	UNTERLEGSCHIEBE 32X4X15-5	ARANDELA 32X4X15-5
11	G15110091	SCONTRO A U	STRIKER	BRIDE 150 MM	ANSCHLAG	ELEMENTO DE EMPALME
12	F01020225	VITE M14X2X160 U5737 8.8 BR	SCREW M 14 X160 5737 8.G	VIS M 14 X160 5737 8.G	SCHRAUBE M 14 X160 5737 8.G	TORNILLO M 14 X160 5737 8.G
13	F01020144	VITE M10X1,5X75 U5737 A2 IX	BOLT M10X 1,5X 75 U5737 8.8 IX	VIS M10X 1,5X 75 U5737 8.8 IX	SCHRAUBE M10X 1,5X 75 U5737 8.	TORNIL. M10X 1,5X 75 U5737 8.8
14	F01020465	VITE M10X1,5 X35 U5739 A2 IX	SCREW 10X35 5739 INOX A2	VIS 10X35 5739 INOX A2	SCHRAUBE 10X35 5739 INOX A2	TORNILLO 10X35 5739 INOX A2
15	F01200271	DADO M10X 1,5 U5588 A2 IX	NUT 10 5588 6.8 INOX	ECROU 10 5588 6.8 INOX	MUTTER 10 5588 6.8 INOX	TUERCA 10 5588 6.8 INOX
16	F01200306	DADO M14X 2 U5588 6.8 ZN	NUT M14X2	ECROU M14X2	MUTTER M14X2	DADO M14X2
17	F01200271	DADO M10X 1,5 U5588 A2 IX	NUT 10 5588 6.8 INOX	ECROU 10 5588 6.8 INOX	MUTTER 10 5588 6.8 INOX	TUERCA 10 5588 6.8 INOX
18	F01420059	ROS.M10 10,5X 30X2,5 U6593 IX	WASHER 11X30X2,5 6593 A2	RONDELLE 11X30X2,5 6593 A2	UNTERLEGSCHIEBE 11X30X2,5 6593	ARANDELA 11X30X2,5 6593 A2
19	F01020236	VITE M14X2X220 U5737 8.8 BR	SCREW M14X2X220 U5737 8.8 BR	VIS M14X2X220 U5737 8.8 BR	SCHRAUBE M14X2X220 U5737 8.8	TORNILLO M14X2X220 U5737 8.8
20	F20120346	PUNTALE Q 35 ALETT.POLIT.NERO				
21	G07000028	TUBO Q. 35X 4X2980	SQUARE PIPE 35 X 35 X 3 X 2980	TUBE CARRE 35 X 35 X 3 X 2980	VIERKANTROHR 35 X 35 X 3 X 298	TUBO CUADRADO 35 X 35 X 3 X 29
22	G15272961	RINFORZO SPANDICONCIME 1100	FERTILIZER 1100 REINFORCEMENT	RENFORT EPANDEUR D'ENGRAIS 110	VERSTZRKUNG DsNGERSTREUER 1100	REFUERZO ABONADORA 1100
23	G15275790	ASS.SUPPORTO ANT.SPANDI PLA				
24	G07000370	TUBO Q. 35X 3X3980	SQUARE PIPE 35X35X4X3980	TUBE CARRE 35X35X4X3980	VIERKANTROHR 35X35X4X3980	TUBO CUADRADO 35X35X4X3980
25	G07000375	TUBO Q. 35X 3X1600	SQUARE PIPE 35X35X4X1600	TUBE CARRE 35X35X4X1600	VIERKANTROHR 35X35X4X1600	TUBO CUADRADO 35X35X4X1600
26	G15472970	TUBO Q. 35X 4X1200	SQUARE PIPE 35 X4 X1200	TUBE CARRE 35 X4 X1200	VIERKANTROHR 35 X4 X1200	TUBO CUADRADO 35 X4 X1200
27	G15472980	TUBO Q. 35X 4X 750	SQUARE PIPE 35 X4 X750	TUBE CARRE 35 X4 X750	VIERKANTROHR 35 X4 X750	TUBO CUADRADO 35 X4 X750
28	G15472990	TUBO Q. 35X 4X 600	SQUARE PIPE 35 X4 X600	TUBE CARRE 35 X4 X600	VIERKANTROHR 35 X4 X600	TUBO CUADRADO 35 X4 X600
29	G15475130	TUBO SUPPORTO SERBATOIO L.2480	TANK SUPPORT PIPE L.2480	TUBE SUPPORT RESERVOIR L2460	ROHR HALTERUNG BEHZLTER L.2480	TUBO SOPORTE DEPSITO L 2480 T
30	G15475300	TUBO SUPPORTO MICRO L.1170	MICRO SUPPORT PIPE L.1170	TUBE SUPPORT MICRO L1170	ROHR HALTERUNG MIKRO L.1170	TUBO SOPORTE MICRO L1170
31	G15475390	TUBO SUPPORTO MICRO L.3100	MICRO SUPPORT PIPE L.3100	TUBE SUPPORT MICRO L3100	ROHR HALTERUNG MIKRO L.3100	TUBO SOPORTE MICRO L.3100
32	G15475400	TUBO SUPPORTO MICRO L.5800	MICRO SUPPORT PIPE L.3800	TUBE SUPPORT MICRO L5800	ROHR HALTERUNG MIKRO L.5800	TUBO SOPORTE MICRO L.5800
33	G15475540	TUBO SUPPORTO MICRO L.5100	MICRO SUPPORT PIPE L.5100	TUBE SUPPORT MICRO L5100	ROHR HALTERUNG MIKRO L.5100	TUBO SOPORTE MICRO L 51000
34	G20890207	BARRA DIFFUSORI DISERBO L.1400	WEEDKILLER SPREADER BAR L.1400	BARRE DIFFUSEURS DESHERBAGE L.	DIFFUSORENSTANGE UNKRAUTVERT.	BARRA DIFUSORES HERBICIDA L.1
35	G22220141	BRACCIO SCORREVOLE 4 FILE	SLIDING ARM- 4 ROW	BRAS GLISSANT 4 RANGEES	GLEITARM 4 REIHEN	BRAZO CORREDIZO 4 FILAS
36	G22270115	BRACC.SCORR.6F.100 L.2000 SP	SLIDING ARM 6-R. 100 L.2000 SP	BRAS GLISS. 6 RANG. 100 L. 200	GLEITARM 6R.100 L.2000 SP	BRAZO CORRED. 6 FILAS. 100 L.2
37	G15475271	SUPPORTO MICRO	MICRO SUPPORT	SUPPORT MICROGRANULATEUR	HALTERUNG MICRO	SOPORTE MICRO
38	F01410064	ROS.M10 10,5X 20X 2 U6592 ZN	WASHER M10 10,5X20X2 U6592 ZN	RONDELL.M10 10,5X20X2 U6592 ZN	SCHEIBE M10 10,5X20X2 U6592 ZN	ARAND. M10 10,5X20X2 U6592 ZN
39	G14276330	SUPPORTO TUBO				
40	G15171650	TUBO Q. 35X 4X 940				

TAV. 151



* 2 - serb. 850
62 - serb. 1100

** 3 - serb. 850
63 - serb. 1100

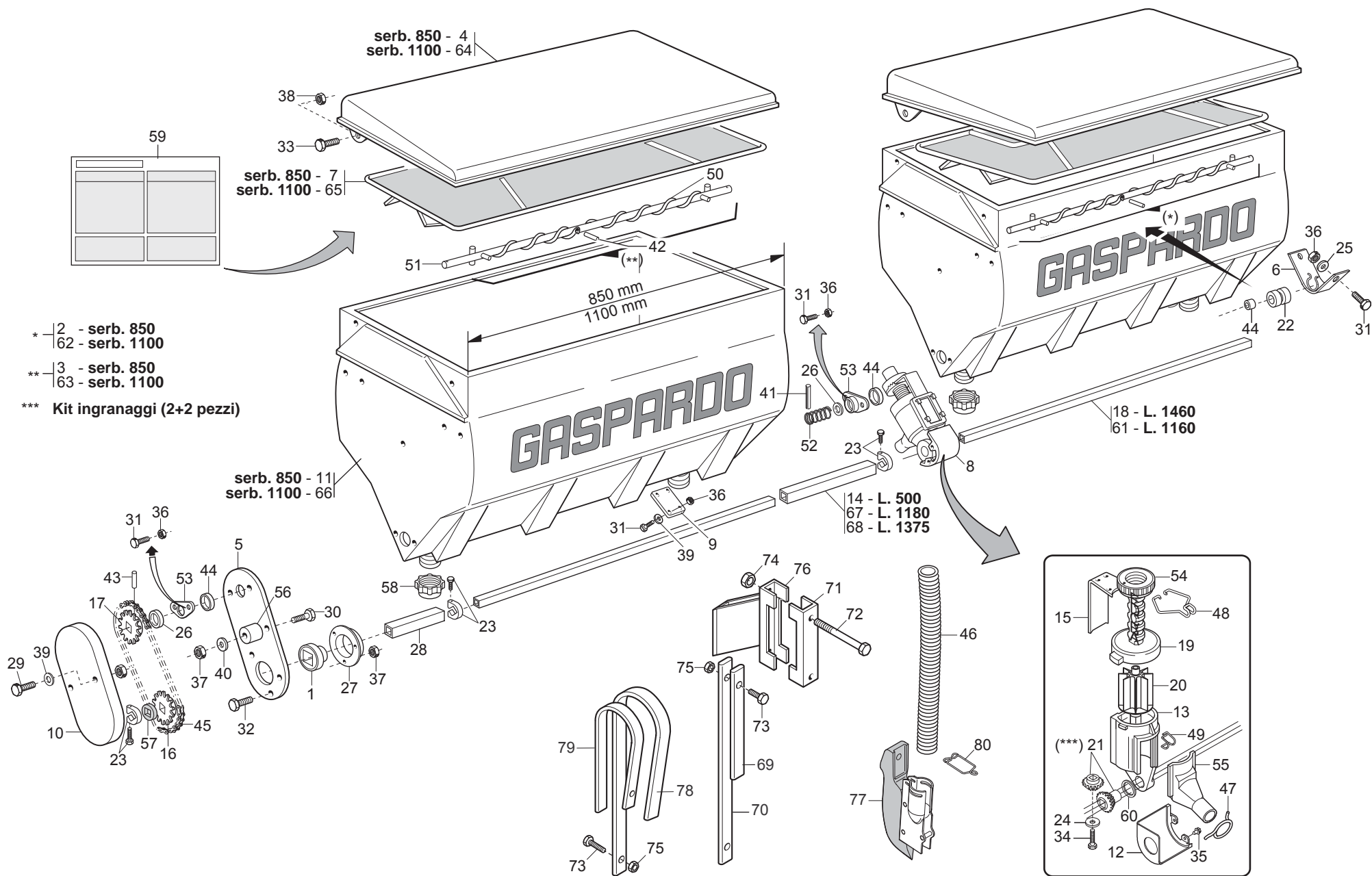
*** Kit ingranaggi (2+2 pezzi)

SPANDICONCIME IN PLASTICA

TAV. 151

Pos.	Cod.	Descrizione	Description	Description	Benennung	Descripcion
1	G14830390	CUSCINETTO FORO QUADRO	SQUARE-HOLED BEARING	ROULEMENT AL+SAGE CARR+	VIERKANTLAGER	COJINETE ORIFICIO CUADRADO
2	G20860121	ASSE AGITAT.DX SERB.850 COMPL.	STIRRER SPINDLE- RIGHT 850 TAN	AXE AGITATEUR DRT. RESERVOIR 8	SAMENMISCHERACHSE RE BEH.850	EJE AGITAD. DER. DEPS.850 COMA
3	G20860122	ASSE AGITAT.SX SERB.850 COMPL.	STIRRER SPINDLE- LEFT 850 TANK	AXE AGITATEUR GCH. RESERVOIR 8	SAMENMISCHERACHSE LI BEH.850	EJE AGITAD. IZQ. DEPS. 850 COA
4	G15470580	COPERCHIO SERBATOIO 850	TANK TOP 850	COUVERCLE RESERVOIR 650	BEHZLTERDECKEL 850	TAPA DEPSITO 850 A
5	G15471930	PROTEZIONE	GUARD	PROTECTION	SCHUTZ	PROTECCIN P
6	G15471990	SUPPORTO COCLEA	SCREW SUPPORT	SUPPORT VIS ALIMENTATION	HALTERUNG SCHNECKE	SOPORTE CCLEA S
7	G15472760	GRIGLIA SERBATOIO PLASTICA 850	PLASTIC TANK GRID 850	GRILLE RESERVOIR PLASTIQUE 850	BEHZLTERGITTER PLAST.850	REJILLA DEPSITO PLAST.850 G
8	G15472770	DISTR.COMPL.8PALE SPANDI PL	COMPL.PLAS.FERTIL.DISTR.8RIBS	MINIMAX COMPL.8C PLA	KOMPL.DOSIER.PLA.DÜNGERSTR.8S	DISTR.COMP.ABONO PLAST.8AL.
9	G15472780	TAPPO SPANDI PLASTICA	PLASTIC FERT. SPREADER PLUG	BOUCHON EPAND. PLASTIQUE	PLASTIKPFROPFEN DsNGERSTR.	TAPN ABONADORA PLæSTICO D
10	G19002710	PROTEZ.RINVIO SPANDICONCIME	FERTILIZER TRANSM. PROTECTION	PROTECTION RENVOI FERTILISEUR	SCHUTZ VORGELEGE DUNGERSTREUER	PROTECCIN TRANSMISION ABONADO
11	G19004470	SERBATOIO CONCIME 850	FERTILIZER HOPPER 850	TR+MIE ENGRAIS 850	D_NGERTANK 850	DEPÉSITO ABONO 850
12	G19002850	PROTEZIONE PIGNONE	PINION GUARD	PROTECTION PIGNON	RITZELSCHUTZ	PROTECCIN PIGNON PR
13	G19002920	CORPO DISTRIBUTORE SPANDI PLA.	PLA. F.SPREADER DISTRIB.CASING	CORPS DISTRIBUTEUR EPAND.	VERTEILUNGSKTRPRER STREUER PLA.	CUERPO DIST. ABONADORA PLæS.
14	G20860012	MANICOTTO DI UNIONE L.500	JOINT SLEEVE L.500	MANCHON DE RACCORD L. 500	VERBINDUNGSMUFFE L.500	MANGUITO DE UNIN L.500 M
15	G20860052	REGOLATORE APERTURA	OPENING REGULATOR	REGULATEUR OUVERTURE	TFFNUNGSEINSTELLER	REGULADOR ABERTURA
16	G20860086	INGRANAGGIO 1/2 Z-12 F.Q.	GEAR 1/2 Z-12 F.Q.	ENGRENAGE 1/2 Z-12 TROUS CARRE	ZAHNRAD 1/2 Z-12 F.Q.	ENGRANAJE 1/2 Z-12 F.Q.
17	G20860088	INGRANAGGIO 1/2 Z-12 F.T.	GEAR 1/2 Z-12 F.T.	ENGRENAGE 1/2 Z-12 TROUS ROND	ZAHNRAD 1/2 Z-12 F.T.	ENGRANAJE 1/2 Z-12 F.T.
18	G20860090	ASSE SX 5F.60 L.1460	AXLE- LEFT 5-R.60 L.1460	AXE GCH. 5 RANGEES 60 L. 1460	ACHSE LI 5R.F.60 L.1460	EJE IZQ. 5 FILA. 60 L.1460
19	G20860093	VITE DI REGOL.	ADJUSTMENT BOLT	VIS DE REGLAGE	EINSTELLSCHRAUBE.	TORNILLO DE REGULACIN S
20	G20860106	DOSATORE SPANDI 8 PALE COMPL.	FERT.METERING DEVICE ASS.8 GRO	ROTOR DOSEUR 8C FERTIL COMPL.	DOSIERER DUNGER.KOMPL. 8 SEKT	DOSIFICADOR ABONO COMP.8 SECT
21	G20860126	KIT INGR DISTR CONCIME (2+2)	KIT- MAN. DISTR. GEARS (2+2)	COUPLE CON DISTR ENGRAIS (2+2)	KIT ZAHNRZDER DsNGERSTREUER	SET ENGRANAJES DISTRIB. ABONO
22	G19005040	BOCCOLA ASSE SPANDI	FERT. SPREADER AXLE BUSH	DOUILLE AXE +PANDEUR	ACHSENBUCHSE STREUER	MANGUITO -RBOL ABONADORA
23	G22505085	FERMO ASSE IN LAMIERA	PLATE AXLE STOP	ARRET AXE EN TOLE	FESTSTELLVORRICHTUNG BLECHACHS	BLOQUEO EJE DE CHAPA
24	G20970097	RONDELLA 32X3X4,5	WASHER 32X3X4-5	RONDELLE 32X3X4-5	UNTERLEGSCHIEBE 32X3X4-5	ARANDELA 32X3X4-5
25	G20970125	RONDELLA 28X2,5X6,5	WASHER 28X2,5X6-5	RONDELLE 28X2-5X6-5	UNTERLEGSCHIEBE 28X2-5X6-5	ARANDELA 28X2-5X6-5
26	G22220073	RONDELLA 28X0,3X16,5	WASHER 28X0-3X16-5	RONDELLE 28X0-3X16-5	UNTERLEGSCHIEBE 28X0-3X16-5	ARANDELA 28X0-3X16-5
27	G22230094	SUPPORTO CUSCINETTO	BEARING SUPPORT	SUPPORT PALIER	LAGERBSCHSE	SOPORTE COJINETE
28	G22250287	MANICOTTO DISTANZIALE SV	SPACER SLEEVE SV	MANCHON ENTRETOISE SV	ABSTANDSMUFFE SV	MANGUITO DISTANCIADOR SV
29	F01020043	VITE M6X1X60 U5737 8.8 ZN	SCREW M6X 1X60 U5737 8.8 ZN	VIS 6 X60 5737 8.G ZN	SCHRAUBE 6 X60 5737 8.G ZN	TORNILLO 6 X60 5737 8.G ZN
30	F01020068	VITE M 8X1,25X40 U5737 8.8 ZN	SCREW M8X1,25X40 U5737 8.8 ZN	VIS M 8X1,25X40 U5737 8.8 ZN	SCHRA. M8X1,25X40 U5737 8.8 ZN	TORNIL.M8X1,25X40 U5737 8.8 ZN
31	F01020403	VITE M6X1X16 U5739 8.8 ZN	SCREW M6X1X16 U5739 8.8 ZN	VIS M6X1X16 U5739 8.8 ZN	SCHRAUBE M6X1X16 U5739 8.8 ZN	TORNILLO M6X1X16 U5739 8.8 ZN
32	F01020432	VITE M 8X1,25X16 U5739 8.8 ZN	SCREW M8X 1.25X16 U5739 8.8 ZN	VIS M8X16	SCHRAUBE M8X16	TORNILLO M8X16
33	F01020472	VITE M10X1,5X25 U5739 8.8 ZN	BOLT 10X25 5739 8.G GALVANIZED	VIS 10X25 5739 8.G ZN	SCHRAUBE 10X25 5739 8.G ZN	TORNILLO 10X25 5739 8.G ZN
34	F01070075	VITE M4,2X1,41X38 U6954 4.8 NI	BOLT 4-2X38 DIN 7981	VIS 4-2X38 DIN 7981	SCHRAUBE 4-2X38 DIN 7981	TORNILLO 4-2X38 DIN 7981
35	F01070011	VITE M4,2X1,41X9,5 U6950 4.8NI	BOLT- SELF-TAPPING 4-2X9-5T.E.	VIS AUTOTAR. 4-2X9-5 T. E. COU	SELBSTSCHNEID. SCHRAUBE 4-2X9-	TORNILLO AUTORROSC. 4-2X9-5
36	F01200232	DADO M 6X 1 U5588 6.8 ZN	NUT 6 UNI 5588 6.8 GALVANIZED	ECROU 6 UNI 5588 6.8 ZN	MUTTER 6 UNI 5588 6.8 ZN	TUERCA 6 UNI 5588 6.8 ZN
37	F01200244	DADO M 8X1,25 U5588 6.8 ZN	NUT M8 X1,25 U5588 6.8 ZN	ECROU M8 X1,25 U5588 6.8 ZN	MUTTER M8 X1,25 U5588 6.8 ZN	TUERCA M8 X1,25 U5588 6.8 ZN
38	F01220033	DADO M10X 1,5 D980 8 ZN	NUT M10X 1,5 D980 8 ZN	ECROU M10X 1,5 D980 8 ZN	MUTTER M10X 1,5 D980 8 ZN	TUERCA M10X 1,5 D980 8 ZN
39	F01410037	ROS.M6 6,4X12,5X1,6 U6592 ZN	PLANE WASHER D.6	RONDELLE D.6	SCHEIBE D.6	ARANDELA D.6
40	F01410051	ROS.M8 8,4X 17X1,6 U6592 ZN	WASHER M8 8,4X17X1,6 U6592 ZN	RONDEL. M8 8,4X17X1,6 U6592 ZN	SCHEIBE M8 8,4X17X1,6 U6592 ZN	ARANDELA M8 8,4X17X1,6 U6592ZN
41	F02100079	SPINA E.P. 5X 16 U6873 C70 BR	PIN EL. 5X 16 U6873 C70 BR			
42	F02100089	SPINA E.P. 5X 36 U6873 C70 BR	PIN EL. 5X 36 U6873 C70 BR	FICHE EL. 5X 36 U6873 C70 BR	STIFT EL. 5X 36 U6873 C70 BR	CLAVIJA EL. 5X 36 U6873 C70 BR
43	F02100114	SPINA E.P. 6X 30 U6873 C70 BR	ELASTIC PIN 6X30	GOUJON ELASTIQUE 6X30	SPANNHUELSE 6X30	ESPINA ELASTICA 6X30
44	F03011081	GUARNIZIONI LABBRO DE100	LIP GASKET D100			
45	F06080196	CATENA 1/2 ISO 083 32 MAGLIE	CUT-DOWN CHAIN .1/2 ISO 083 32	TRONCON CHAINE 1/2 ISO 083 32	KETTENZNGE 1/2 ISO 083 32 GL	TRECHO CADENA 1/2 ISO 083 32
46	F03100500	TUBO EOLO 35 PU	TUBE EOLO 35 PU	TUBE EOLO 35 PU		
47	G65336025	MOLLA SPEC.ZN STRINGIT.ASP.SP	SPEC SPRING ZN FAN . PIPE CLAM	RESSORT SPEC. ZN SERRE-TUBE AS	SPEZIALFEDER ZN RORHSCHELLE AB	MUELLE ESPEC. ZN APRIETA TUBOS
48	G65336055	MOLLA SPEC.REGOL.SPAND. SP	SPEC SPRING MAN. SPR. ADJUSTM.	RESSORT SPEC. REGL. EP. ENTRA	SPEZIALFEDER STREUERINSTELLUN	MUELLE ESPEC. REGUL. ABONADORA
49	G65336062	MOLLA SPEC.SCIV.DISTR.SPAND.SP	SPEC SPRING - MAN. SPR. DISTR.	RESS. SPEC. LANCOIR DISTR. EP.	SPEZ.FEDER RUTSCHE SZAPP. STRE	MUELLE ESPEC.PLANO INCL.DISTR.
50	G65336064	MOLLA SPEC.COCLEA DX SPAND.HL	SPEC. WORM SCREW SPRING RIGHT	RESSORT SPEC. VIS DRT. EP. ENG	SPEZ.FEDER RE SCHNECKE STREUER	MUELLE ESPEC. TORN.S/F DER. AB
51	G65336065	MOLLA SPEC.COCLEA SX SPAND.HL	SPEC. WORM SCREW SPRING LEFT M	RESSORT SPEC. VIS GCH. EP. ENG	SPEZ.FEDER LI SCHNECKE STREUER	MUELLE ESPEC. TORN.S/F IZQ. AB
52	G65338043	MOLLA COMP.ZN SERB. M80	ZN TANK COMP.SPRING M80	RESSORT COMPL. ZN RESERVOIR M8	DRUCKFEDER ZN BEHZLTER M80	MUELLE COMP.ZN DEPS. M80 A
53	G66248121	BOCCOLA CON FLANGIA M80	BUSHING W/ FLANGE M80	SUPPORT AVEC BRIDE M80	BsCHSE MIT FLANSCH M80	CASQUILLO CON BRIDA M80
54	G66248125	GHIERA REGOLAZIONE M80	ADJUSTMENT KNURLED NUT M80	BAGUE REGLAGE M80	EINSTELLMUTTER M80	CONTRATUERCA REGULACIN M80 G

TAV. 151



* 2 - serb. 850
62 - serb. 1100

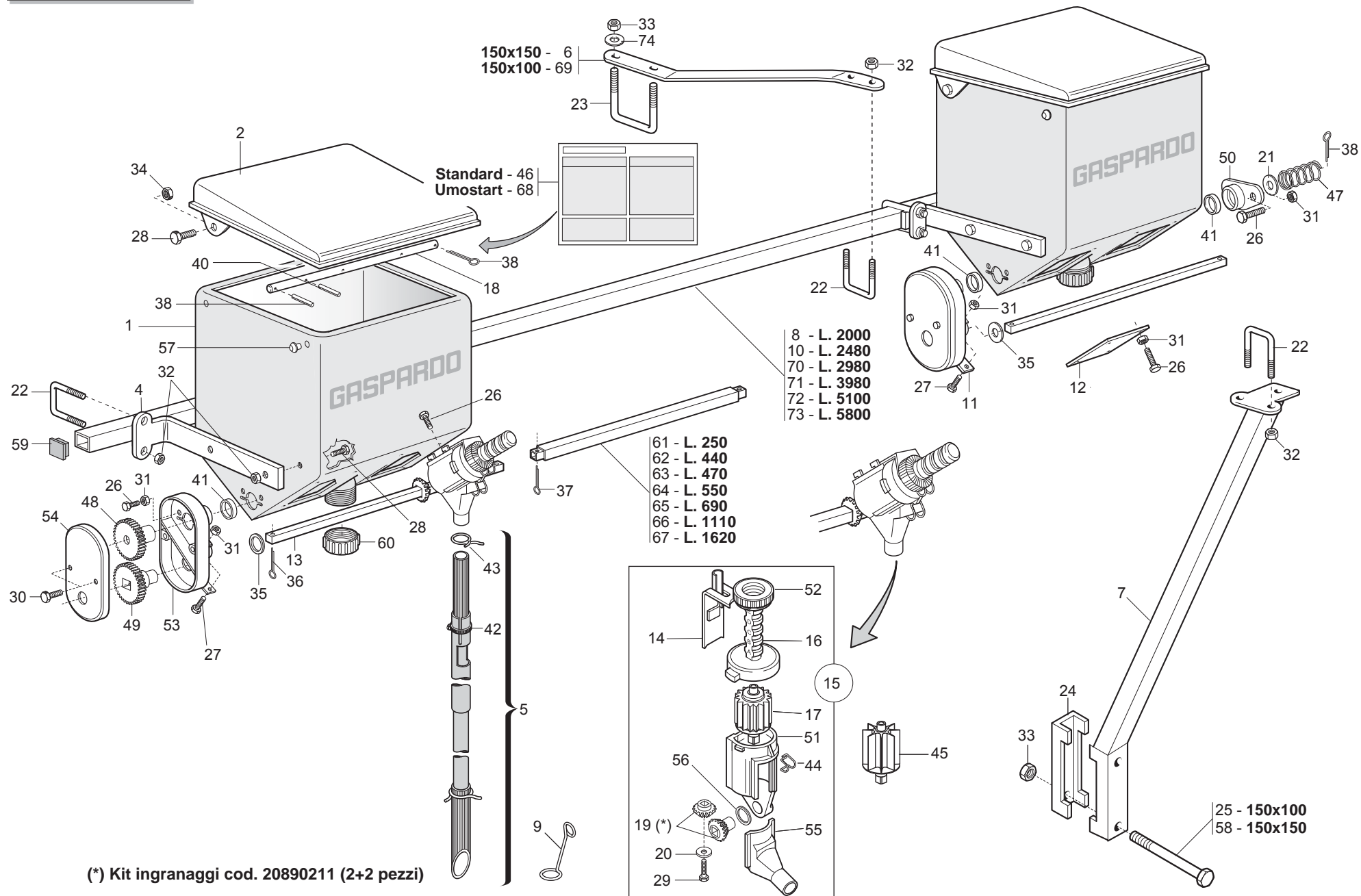
** 3 - serb. 850
63 - serb. 1100

*** Kit ingranaggi (2+2 pezzi)

SPANDICONCIME IN PLASTICA

TAV. 151

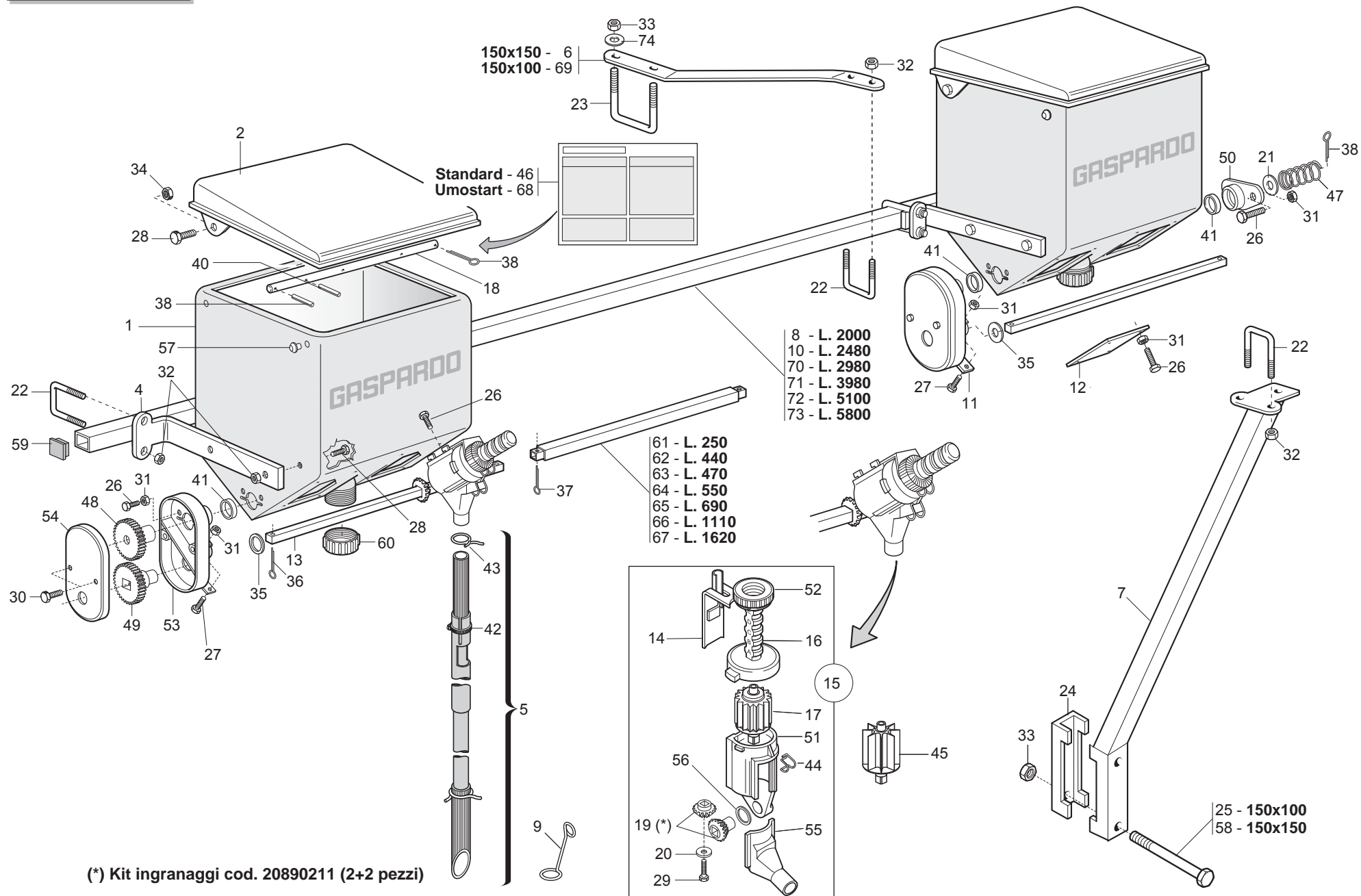
Pos.	Cod.	Descrizione	Description	Description	Benennung	Descripcion
55	G66248178	SCIVOLO DISTR.SPAND. SP	CHUTE- MANURE-SPREADER DISTRIB	LANCOIR DISTRIBUTION EP. ENGR.	DsNGERSTREUER RUTSCHE SP	PLANO INCLINADO DISTR. ABON. S
56	G66248207	TENDICATENA SPAND. SP-520	CHAIN TENSIONER	TENDEUR DE CHAINE EPAND. ENGR.	KETTENSANNER DsNGERSTR. SP-52	SENSOR DE CADENA ABON. SP-520
57	G66248218	RONDELLA DISTAN.SPAND.	MAN. SPR. SPACER WASHER	RONDELLE ENTRETOISE EP. ENGRAI	ABSTANDSCHEIBE DsNGERSTREUER	ARANDELA DISTAN.ABONAD.
58	F03150757	TAPPO FILETT.SERBAT.PLASTICA	SCREWED PLUG FOR PLASTIC TANK			
59	G19702751	DECAL.TABELLA CONCIME 'V'99	V 99 FERTILIZER CHART STICKER	DECALC. TABLEAU ENGRAIS V 99	ABZIEHB. TABELLE DsNGER V 99	CAL.TABLA ABONO V 99
60	G18701500	RONDELLA 29,5 X38 X0,3	WASHER 29,5 X 38 X 0,3	RONDELLE 29,5 X38 X0,3	UNTERLEGSCHIEBE 29,5X38X0,3	ARANDELA 29,5 X38 X0,3
61	G20860032	ASSE RUOTA CAMBIO L.1160	WHEELAXLE - GEARBOX L.1160	AXE ROUE BOITE DE VITESSE	GEBTRIEBERADACHSE L 1160	EJE RUEDA CAMBIO L.1160
62	G15271540	ASSE AGITATORE DX 1100	STIRRER SPINDLE-RIGHT 1100 TAN	AXE AGITATEUR DRT.RESERV.1100	SAMENMISCHERACHSE RE BEH.1100	EJE AGITAD.DER.DEPS.1100 COM A
63	G15271550	ASSE AGITATORE SX 1100	STIRRER SPINDLE- LEFT 1100	AXE AGITATEUR GCH. 1100	SAMENMISCHERACHSE LINKER 1100	EJE AGITAD. IZQ. 1100
64	G15471920	COPERCHIO SERBATOIO L.1100	TANK COVER L.1100	COUVERCLE RESERVOIR L.1100	BEHZLTERDECKEL L.1100	TAPA DEPS.L.1100 A
65	G15473130	GRIGLIA SERBATOIO 1100 PLAST.	PLASTIC TANK GRID 1100	GRILLE RESERVOIR PLAST.1100	BEHZLTERGITTER PLAST.1100	REJILLA DEPSITO PLAST.1100 G
66	G19003060	SERBATOIO 1100 PLASTICA	PLASTIC TANK 1100	RESERVOIR 1100 PLASTIQUE	PLASTIKBEHZLTER 1100	DEPSITO 1100 PLÆSTICA B
67	G20910045	MANICOTTO UNIONE L.1180	JOINT SLEEVE L.1180	MANCHON RACCORD L. 1180	VERBINDUNGSMUFFE L.1180	MANGUITO DE UNIN L.1180 M
68	G20910044	MANICOTTO UNIONE L.1375	JOINT SLEEVE L.1375	MANCHON RACCORD L. 1375	VERBINDUNGSMUFFE L.1375	MANGUITO DE UNIN L.1375 M
69	G18903220	RINF.MOLLA CONCIM.FILE DISP.	ODD NUM. ROW MANUR.SPRING REIN	RENF. RESS. FUMAGE RANGEES IMP	VERST. FEDER DsNG. UNGERADE RE	REFUERZO MUELLE ABONO FILAS IM
70	G18903210	MOLLA CONCIM.FILE DISPARI	ODD NUMBER ROW MANUR.SPRING	RESS. FUMAGE RANGEES IMPAIRES	FEDER DsNGUNG UNGERADE REIHEN	MUELLE ABONO FILAS IMPARES
71	G15110091	SCONTRO A U	STRIKER	BRIDE 150 MM	ANSCHLAG	ELEMENTO DE EMPALME
72	F01020225	VITE M14X2X160 U5737 8.8 BR	SCREW M 14 X160 5737 8.G	VIS M 14 X160 5737 8.G	SCHRAUBE M 14 X160 5737 8.G	TORNILLO M 14 X160 5737 8.G
73	F01020512	VITE M12X1,75X35 U5739 8.8 ZN	SCREW M12X1,75X35 5739 8.8 ZN	VIS M12X1,75X35 5739 8.8 ZN	SCHR. M12X1,75X35 5739 8.8 ZN	TORN. M12X1,75X35 5739 8.8 ZN
74	F01200306	DADO M14X 2 U5588 6.8 ZN	NUT M14X2	ECROU M14X2	MUTTER M14X2	DADO M14X2
75	F01220048	DADO M12X1,75 D980 8 ZN	NUT M12X1,75 D980 8 ZN	ECROU M12X1,75 D980 8 ZN	SCHIEBE M12X1,75 D980 8 ZN	TUERCA M12X1,75 D980 8 ZN
76	G15470231	SUPPORTO MOLLA PIATTA CON.150*	CONC. FLAT SPRING SUPPORT 150	SUPP. RESSORT PLAT FUMAGE 150	HALTERUNG DsNGERPLATTENFEDER 1	SOPORTE MUELLE CHATO DE ABONO1
77	G16670610	FALCIONE ELEM.CONCIMAZ.PIATTA				
78	G18901092	GAMBO CONCIMAZ.MOLLA PIATTA SP	FLAT SPRING MANURING LEG SP	TIGE FUMAGE RESSORT PLAT SP	SCHAFT DsNGUNG FLACHE FEDER SP	VæSTAGO ABONO MUELLE CHATO SP
79	G18902861	RINF.MOLLA PIATTA CONCIM.SP	MANUR.PLATE SPRING REINFORCE.S	RENF. RESSORT PLAT FUMAGE SP	VERSTZRKUNG FLACHFEDER DsNGUNG	REFUERZO MUELLE ABONO SP
80	G18903911	MOLLA FERMO TUBO D.35	PIPE LOCK SPRING D.35	RESSORT ARR-T TUBE D.35	ROHRSPERRFEDER D.35	MUELLE TOPE TUBO D. 35



MICROGRANULATORE

TAV. 181

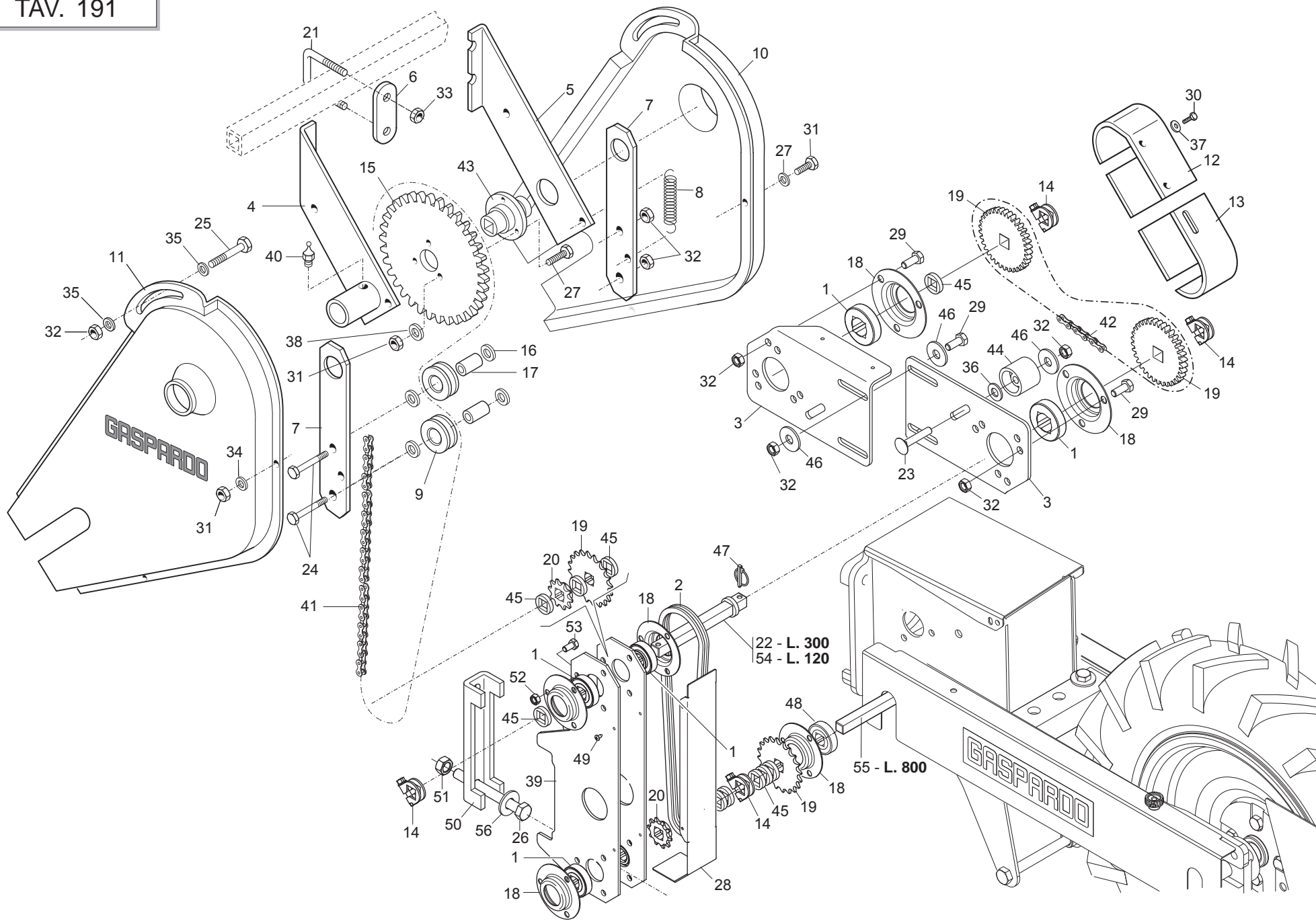
Pos.	Cod.	Descrizione	Description	Description	Benennung	Descripcion
1	G19002932	SERBATOIO MICRO 250 PLA.	PLASTIC TANK MICRO 250	RESERVOIR MICRO 250 PLASTIQUE	MIKROGRANULATBEHZLTER PLAST.	DEPSITO MICRO 250 PLAST.
2	G15475231	COPERCHIO MICRO 250 PLA.	PLASTIC COVER MICRO 250	COUVERCLE MICRO 250 PLASTIQUE	MIKRO DECKEL 250 PLAST.	TAPA MICRO 250 PLAST.
3	G15475260	SCONTRIO SP	STRIKER PLATE SP	STRIKER PLATE SP	ANSCHLAG STREUER	ELEMENTO DE EMPALME SP
4	G15475271	SUPPORTO MICRO	MICRO SUPPORT	SUPPORT MICROGRANULATEUR	HALTERUNG MICRO	SOPORTE MICRO
5	G15870251	TUBO DISCESA MICRO ORTAG.COMPL				
6	G15475382	TIRANTE MICRO TEL.150				
7	G15475411	SUPP.BARRA MICRO M.S.SPAN.	M.S. FERTILISER SPREADER MICRO	SUPPORT BARRE MICRO M.S. EPAND	MIKRO SPINDELHALTERUNG M.S. Ds	SOPORTE BARRA MICRO M.S. ABONA
8	G22270115	BRACC.SCORR.6F.100 L.2000 SP	SLIDING ARM 6-R. 100 L.2000 SP	BRAS GLISS. 6 RANG. 100 L. 200	GLEITARM 6R.100 L.2000 SP	BRAZO CORRED. 6 FILAS. 100 L.2
9	G18903191	MOLLA SPEC.ZN DISCESA MICRO	SPEC.SPRING ZN MICRO GUIDE	RESSORT SPEC. ZN GUIDE MICRO	SPEZIALFEDER ZN F_HR.MIKRO	MUELLE ESPEC. ZN GUA MICRO
10	G15475130	TUBO SUPPORTO SERBATOIO L.2480	TANK SUPPORT PIPE L.2480	TUBE SUPPORT RESERVOIR L2460	ROHR HALTERUNG BEHZLTER L.2480	TUBO SOPORTE DEPSITO L 2480 T
11	G20890078	PIASTRA DI COLLEGAMENTO	CONNECTION PLATE	PLAQUE DE RACCORD	VERBINDUNGSPLATTE	PLACA DE CONEXIN P
12	G20890079	PIASTRA DI CHIUSURA	CLOSURE PLATE	PLAQUE DE FERMETURE	ABSCHLUSSPLATTE	PLACA DE CIERRE
13	G20890081	ASSE DISTRIB.MICRO L.445	MICRO DISTR. SPINDLE- L. 445	AXE DISTRIBUTEUR MICRO L. 445	MIKRO STREUERACHSE L 445	EJE DISTRIB.MICRO L.445
14	G20890089	REGOLATORE DI APERTURA	OPENING REGULATOR	REGULATEUR D'OUVERTURE	TFFNUNGSEINSTELLER	REGULADOR DE ABERTURA
15	G20890135	DISTRIB.NYLON COMPL.E SCIVOLO	DISTRIB. NYLON ASSY. AND CHUTE	MINIMAX COMPL 20C MICRO	SZAPPARAT NYLON KOMPL. UND RUT	DISTRIB.NYLON COMPL.Y PLANO IN
16	G20890151	VITE-SCALA GRADUATA	GRADUATED SCALE BOLT	VIS-EHELLE GRADUEE	SCHRAUBE - GRADSKALA	TORNILLO - ESCALA GRADUADA
17	G20890158	DOSATORE MICRO COMPL.	ROTOR DIST. MICRO 20 GROOVES	ROTOR DOSEUR 20C MICRO COMPL.	DOSIERER MIKRO KOMPL. 20 SEKT	DOSIFICADOR MICRO COMPL.20 SEC
18	G20890194	ASSE AGITATORE SERB.MICRO 250	STIRRER SPINDLE- MICRO TANK 25	AXE AGITATEUR RESERVOIR MICRO	SAMENMISCHERACHSE BEH.MIKRO 25	EJE AGITADOR DEPS. MICRO 250 A
19	G20890211	KIT INGRANAGGI DISTRIB.MICRO				KIT ENGRANAJES DISTRIB.MICRO
20	F01420011	ROS.M4 4,3X 16X 1 U6593 ZN	FLAT WASHER 4-3X 16X1-5 6593 G	ROND.PLATE 4-3X 16X1-5 6593 ZN	SCHLEIBE 4-3X 16X1-5 6593 ZN	ARAND. PLANA 4-3X 16X1-5 6593
21	G22220073	RONDELLA 28X0,3X16,5	WASHER 28X0-3X16-5	RONDELLE 28X0-3X16-5	UNTERLEGSCHLEIBE 28X0-3X16-5	ARANDELA 28X0-3X16-5
22	F20110706	CAV.Q.M10X 1,5X 30 47X 60 ZN	DISK SUPPORT.ELEMENT U BOLT SV	CAVALIER SUPPORT DISQUE SV	VERBINDUNG SCHLEIBENHALTERUNG S	PERNO EN U SOP. DISCO SV
23	F20110770	CAV.Q.M14X 2X 50 96X119 ZN	U BOLT M14X2X50 96X119 ZN	BRIDE U M14X2X50 96X119 ZN	ANSCHLANG U M14X2X50 96X119 ZN	EL.DE EMPALME M14X2X50 96X119
24	G15110091	SCONTRIO A U	STRIKER	BRIDE 150 MM	ANSCHLAG	ELEMENTO DE EMPALME
25	F01020229	VITE M14X2X180 U5737 8.8 BR	SCREW 14X180 5737 8.8	VIS 14X180 5737 8.8	SCHRAUBE 14X180 5737 8.8	TORNILLO 14X180 5737 8.8
26	F01020397	VITE M6X1X10 U5739 8.8 ZN	SCREW M 6X 1X 10 U5739 8.8 ZN	VIS 6X10 5739 8.8 ZN	SCHRAUBE 6X10 5739 8.8 ZN	TORNILLO 6X10 5739 8.8 ZN
27	F01020403	VITE M6X1X16 U5739 8.8 ZN	SCREW M6X1X16 U5739 8.8 ZN	VIS M6X1X16 U5739 8.8 ZN	SCHRAUBE M6X1X16 U5739 8.8 ZN	TORNILLO M6X1X16 U5739 8.8 ZN
28	F01020472	VITE M10X1,5X25 U5739 8.8 ZN	BOLT 10X25 5739 8.8 GALVANIZED	VIS 10X25 5739 8.8 ZN	SCHRAUBE 10X25 5739 8.8 ZN	TORNILLO 10X25 5739 8.8 ZN
29	F01070061	VITE M3,9X1,34X9,5 U6954 4.8NI	BOLT 3,9X 9,5 DIN 7981	VIS 3,9X 9,5 DIN 7981	SCHRAUBE 3,9X 9,5 DIN 7981	TORNILLO 3,9X 9,5 DIN 7981
30	F01070121	VITE M3,9X1,34X9,5 6955 4.8NI	BOLT 3-9X 9-5 DIN 7982	VIS 3-9X 9-5 DIN 7982	SCHRAUBE 3-9X 9-5 DIN 7982	TORNILLO 3-9X 9-5 DIN 7982
31	F01200232	DADO M 6X 1 U5588 6.8 ZN	NUT 6 UNI 5588 6.8 GALVANIZED	ECROU 6 UNI 5588 6.8 ZN	MUTTER 6 UNI 5588 6.8 ZN	TUERCA 6 UNI 5588 6.8 ZN
32	F01200270	DADO M10X 1,5 U5588 6.8 ZN	NUT M10X 1,5 U5588 6.8 ZN	ECROU M10X 1,5 U5588 6.8 ZN	MUTTER M10X 1,5 U5588 6.8 ZN	TUERCA M10X 1,5 U5588 6.8 ZN
33	F01200306	DADO M14X 2 U5588 6.8 ZN	NUT M14X2	ECROU M14X2	MUTTER M14X2	DADO M14X2
34	F01220033	DADO M10X 1,5 D980 8 ZN	NUT M10X 1,5 D980 8 ZN	ECROU M10X 1,5 D980 8 ZN	MUTTER M10X 1,5 D980 8 ZN	TUERCA M10X 1,5 D980 8 ZN
35	F01410088	ROS.M14 15X 28X2,5 U6592 ZN	WAS.M14 15X 28X2,5 U6592 ZB	RON.M14 15X 28X2,5 U6592 ZB	SCH.M14 15X 28X2,5 U6592 ZB	ARA.M14 15X 28X2,5 U6592 ZB
36	F02200161	COPIGLIA 3X 15 U1336 ZN	SPLIT PIN 3 X15 1336 GALVAN.	GOUPILLE 3 X15 1336 ZN	SPLINT 3 X15 1336 ZN	PASADOR 3 X15 1336 ZN
37	F02200162	COPIGLIA 3X 20 U1336 ZN	SPLIT PIN 3 X20 1336 GALVAN.	GOUPILLE 3 X20 1336 ZN	SPLINT 3 X20 1336 ZN	PASADOR 3 X20 1336 ZN
38	F02200194	COPIGLIA 4X 25 U1336 ZN	SPLIT PIN 4 X25 1336 GALVAN.	GOUPILLE 4 X25 1336 ZN	SPLINT 4 X25 1336 ZN	PASADOR 4 X25 1336 ZN
39	F02100083	SPINA E.P. 5X 24 U6873 C70 BR	PIN EL. 5 X24 DIN 1481	FICHE EL. 5 X24 DIN 1481	SPANNSTIFT 5 X24 DIN 1481	CLAVIJA EL.5 X24 DIN 1481
40	F02100089	SPINA E.P. 5X 36 U6873 C70 BR	PIN EL. 5X 36 U6873 C70 BR	FICHE EL. 5X 36 U6873 C70 BR	STIFT EL. 5X 36 U6873 C70 BR	CLAVIJA EL. 5X 36 U6873 C70 BR
41	F03011081	GUARNIZIONI LABBRO DE100	LIP GASKET D100			
42	F02300017	FASCETTA STRING. 20/32 H.9	CABLE TIE 20/32 H.9	COLLIER DE SERRAGE 20/32 H.9	SHELLE 20/32 H.9	ABRAZADERA 20/32 H.9
43	G65336041	MOLLA SPEC.ZN STRINGITUBO M80	SPEC.SPRING ZN . PIPE CLAMP M8	RESSORT SPEC. ZN SERRE-TUBE M8	SPEZIALFEDER ZN ROHRSCHELLE M8	MUELLE ESPEC. ZN APLASTA TUBOS
44	G65336046	MOLLA SPEC.ZN SCIVOLO M80	SPEC SPRING ZN CHUTE M80	RESSORT SPEC. ZN LANCOIR M80	SPEZIALFEDER ZN RUTSCHE M80	MUELLE ESPEC. ZN PLANO INCLINA
45	G22250240	DOSATORE COMPL. SV	MICRO DISTR.ROTOR 8 GROOVES	ROTOR DOSEUR 8C MICRO SV	DOSIERER KOMPL. SV	DOSIFICADOR COMPL. SV
46	G19702731	DECAL.TABELLA MICRO V99	V 99 MICRO CHART STICKER	DECALC. TABLEAU MICRO V 99	ABZIEHB. TABELLE MIKRO V 99	CAL.TABLA MICRO V 99
47	G65338043	MOLLA COMP.ZN SERB. M80	ZN TANK COMP.SPRING M80	RESSORT COMPL. ZN RESERVOIR M8	DRUCKFEDER ZN BEHZLTER M80	MUELLE COMP.ZN DEPS. M80 A
48	G66248119	RUOTA DENTATA Z-24 M80	GEAR-WHEEL Z-24 M80	ROUE DENTEE Z-24 M80	ZAHNRAD Z-24 M80	RUEDA DENTADA Z-24 M80
49	G66248120	RUOTA DENT.FORO QUAD.Z-24 M80	GEAR-WHEEL- SQUARE HOLE- Z-24	ROUE DENTEE TROU CARRE Z-24 M8	RAD VERZAHNT VIERKANTLOCH.Z-24	RUEDA DENT.ORIFICIO CUAD.Z-24
50	G66248121	BOCCOLA CON FLANGIA M80	BUSHING W/ FLANGE M80	SUPPORT AVEC BRIDE M80	BsCHSE MIT FLANSCH M80	CASQUILLO CON BRIDA M80
51	G66248123	CORPO DISTRIBUZIONE M80	DISTRIBUTION CASING M80	CORPS DISTRIBUTION M80	VERTEILUNGSKTRPER	CUERPO DISTRIBUCIN M80 C
52	G66248125	GHIERA REGOLAZIONE M80	ADJUSTMENT KNURLED NUT M80	BAGUE REGLAGE M80	EINSTELLMUTTER M80	CONTRATUERCA REGULACIN M80 G
53	G66248126	SUPP.TRASMISSIONE M80	TRANSM.SUPPORT M80	SUPPORT ENTRAINEMENT M80	ANTRIEBSHALTERUNG M80	SOPORTE TRANSMISIN M80 S
54	G66248138	COPERCHIO SUPP.TRASM. M80	TRANSMISSION SUPP. COVER M80	COUVERCLE SUPPORT ENTRAINEM.	DECKELANTRIEBSHALTERUNGS M80	TAPA SOP. TRANSM. M80



MICROGRANULATORE

TAV. 181

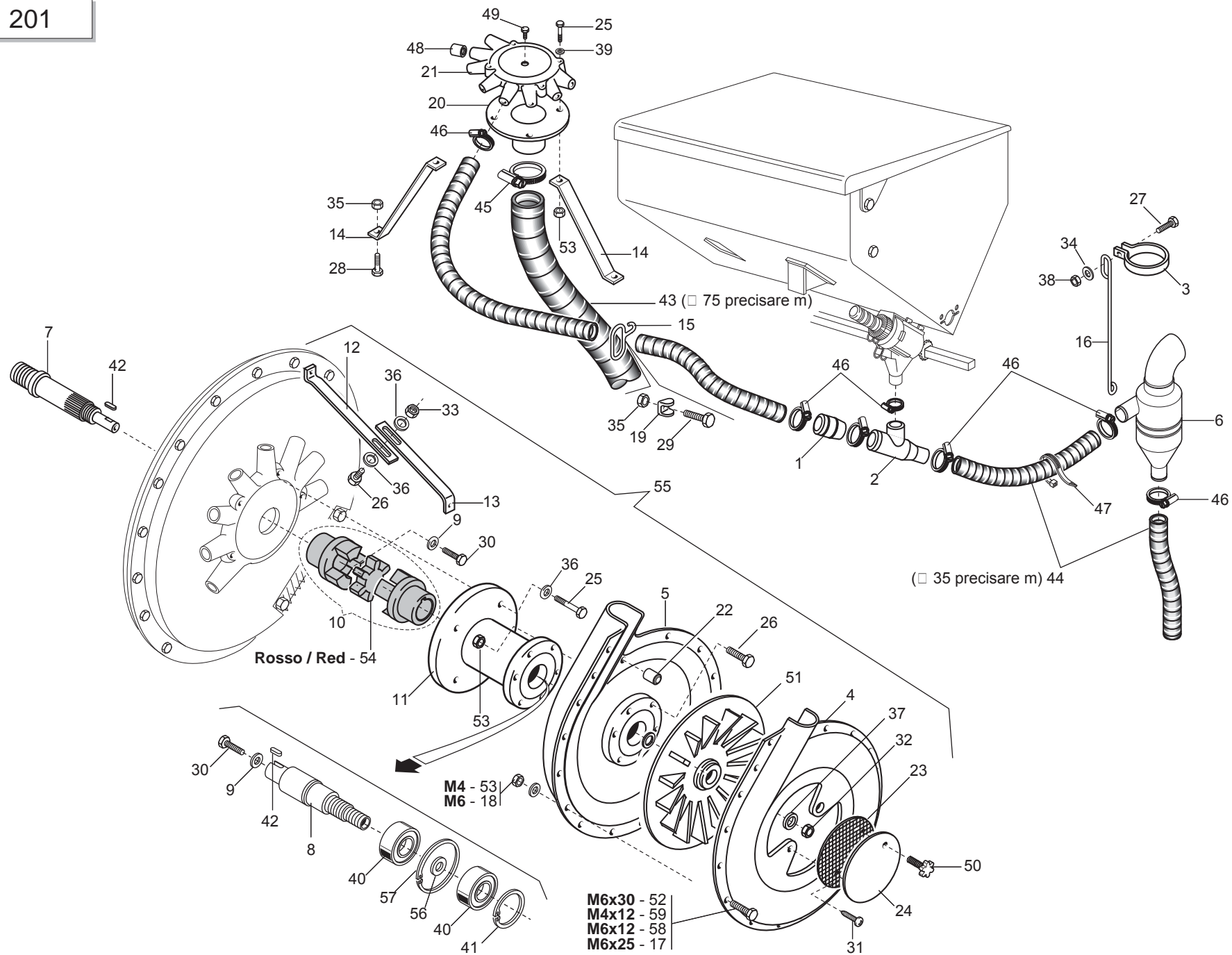
Pos.	Cod.	Descrizione	Description	Description	Benennung	Descripcion
55	G66248154	SCIVOLO DISTR. M80	CHUTE- DISTRIB. M80	ENTONNOIR DOSEUR MINIMAX MICRO	SAAPPARAT RUTSCHE M80	PLANO INCLINADO DISTR. M80
56	G20970100	RONDELLA 30X0,5X22 ACC.	WASHER 30X0-5X22 ACC.	RONDELLE 30X0-5X22 ACIER	UNTERLEGSCHIEBE 30X0-5X22 ACC.	ARANDELA 30X0-5X22 ACC.
57	G66248223	TAPPO SUPP.SPAND.D.11	PLUG MAN. SPR. SUPP. D.11	BOUCHON SUPPORT EP. ENGRAIS D.	HALTERUNGSPFROPFEN DsNGERSTR.	TAPN SOPORTE ABON.D.11 D
58	F01020238	VITE M14X2X240 U5737 8.8 BR	BOLT M 14 X240 5737 8.G	VIS M 14 X240 5737 8.G	SCHRAUBE M 14 X240 5737 8.G	TORNILLO M 14 X240 5737 8.G
59	G15475560	TAPPO TUBO 35X35 *	PLUG PIPE 35X35	BOUCHON TUBE 35X35	ROHRPFROPFEN 35X35	TAP N TUBO 35X35
60	G16675090	TAPPO PLASTICA MICRO C/OR				
61	G20890205	MANICOTTO UNIONE MICRO L.250	MICRO JOINT SLEEVE L.250	MANCHON RACCORD MICRO L. 250	VERBINDUNGSMUFFE MIKRO L.250	MANGUITO DE UNIN MICRO L.250 M
62	G20890201	MANICOTTO UNIONE MICRO L.440	MICRO JOINT SLEEVE L.440	MANCHON RACCORD MICRO L. 440	VERBINDUNGSMUFFE MIKRO L.440	MANGUITO DE UNIN MICRO L.440 M
63	G20890111	MANIC.UNIONE RINV.MICRO L.470	MICRO TRANSM.JOINT SLEEVE L.47	MANCHON RACCORD TRANSMISSION M	VERBINDUNGSMUFFE VORGELEGE MIK	MANGUITO EMPALME TRANSM. MICRO
64	G20890130	MANICOTTO UNIONE MICRO L.550	MICRO JOINT SLEEVE	MANCHON RACCORD MICRO L. 550	VERBINDUNGSMUFFE MIKRO L 550	MANGUITO DE UNIN MICRO L.550 M
65	G20890202	MANICOTTO UNIONE MICRO L.690	MICRO JOINT SLEEVE L.690	MANCHON RACCORD MICRO L. 690	VERBINDUNGSMUFFE MIKRO L.690	MANGUITO DE UNIN MICRO L.690 M
66	G20890112	MANICOTTO UNIONE MICRO L.1110	MICRO JOINT SLEEVE L.1110	MANCHON RACCORD MICRO L. 1110	VERBINDUNGSMUFFE MIKRO L1110	MANGUITO DE UNIN MICRO L.1110M
67	G20890203	MANICOTTO UNIONE MICRO L.1620	MICRO JOINT SLEEVE L.1620	MANCHON RACCORD MICRO L. 1620	VERBINDUNGSMUFFE MIKRO L.1620	MANGUITO DE UNIN MICRO L.1620M
68	G19702460	DECAL.TABELLA DISTRIB.UMOSTART	UMOSTART DISTRIBUTOR CHART STI	DECALC. TABLEAU DISTRIBUTEUR U	ABZIEHB. TABELLE SZAPPARAT UMO	CAL.TABLA DISTRIBUDOR UMOSTART
69	G16670241	TIRANTE BARRA MICRO SP				
70	G07000028	TUBO Q. 35X 4X2980	SQUARE PIPE 35 X 35 X 3 X 2980	TUBE CARRE 35 X 35 X 3 X 2980	VIERKANTROHR 35 X 35 X 3 X 298	TUBO CUADRADO 35 X 35 X 3 X 29
71	G07000370	TUBO Q. 35X 3X3980	SQUARE PIPE 35X35X4X3980	TUBE CARRE 35X35X4X3980	VIERKANTROHR 35X35X4X3980	TUBO CUADRADO 35X35X4X3980
72	G15475540	TUBO SUPPORTO MICRO L.5100	MICRO SUPPORT PIPE L.5100	TUBE SUPPORT MICRO L5100	ROHR HALTERUNG MIKRO L.5100	TUBO SOPORTE MICRO L 51000
73	G15475400	TUBO SUPPORTO MICRO L.5800	MICRO SUPPORT PIPE L.3800	TUBE SUPPORT MICRO L5800	ROHR HALTERUNG MIKRO L.5800	TUBO SOPORTE MICRO L.5800
74	G20970142	RONDELLA 32X4X15,5	WASHER 32X4X15-5	RONDELLE 32X4X15-5	UNTERLEGSCHIEBE 32X4X15-5	ARANDELA 32X4X15-5



TRASMISSIONE SPANDICONCIME E MICROGRANULATORE

TAV. 191

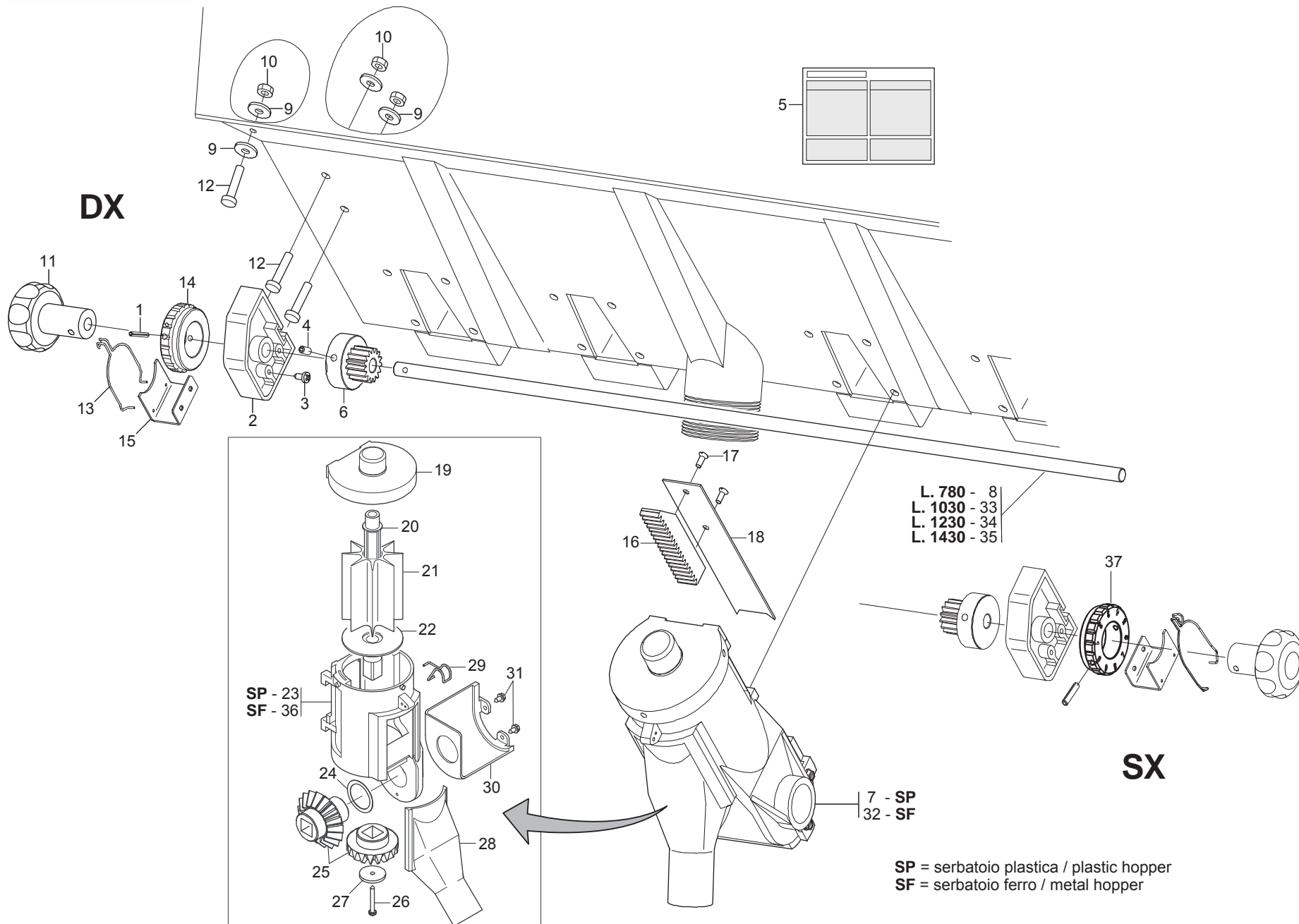
Pos.	Cod.	Descrizione	Description	Description	Benennung	Descripcion
1	G14830390	CUSCINETTO FORO QUADRO	SQUARE-HOLED BEARING	ROULEMENT AL+SAGE CARR+	VIERKANTLAGER	COJINETE ORIFICIO CUADRADO
2	F06080024	CATENA 1/2 ISO 083 55 MAGLIE	CUT-DOWN CHAIN.1/2-3/16 55	TR. CH.1/2-3/16 55 MAILLES	KETTENZLNZE 1/2-3/16 55 GLIEDE	TRECHO CADENA 1/2-3/16 55 ES LA
3	G15470851	FIANCO SUPP.TRASM.SPANDI	SPREADER TRANSM. SIDE SUPPORT	COTE SUPPORT TRANSM. EPAND.	SEITEN HALTER. ANTRIEB DUNGERS	COSTADO SOPORTE TRANSM. ABONAD
4	G15475031	SUPPORTO TRASMISSIONE SX	LEFT TRANSMISSION SUPPORT	SUPPORT ENTRAINEMENT GCH	HALTERUNG GETRIEBE LI	SOPORTE TRANSMISIN IZQ S
5	G15475041	SUPPORTO TRASMISSIONE DX	RIGHT TRANSMISSION SUPPORT	SUPPORT ENTRAINEMENT DRT	HALTERUNG GETRIEBE RE	SOPORTE TRANSMISIN DER S
6	G15475260	SCONTRO SP	STRIKER PLATE SP	BUTEE SP	ANSCHLAG STREUER	ELEMENTO DE EMPALME SP
7	G15475310	SUPPORTO RULLINI TENDIC. MICRO	MICRO CHAIN STRETCHER ROLLERS	SUPP. ROUETS TEND. CHAINE MICR	HALTERUNG KETTENSANNROLLEN	SOP. RODILLOS TENSOR CADENA MI
8	G18902960	MOLLA TRAZ. TRASM.RUOTA ZN	TRANSMISSION TENSIONER SPRING	RESSORT TRACT. ENTRAIN. ROUE Z	ZUGFEDER RADANTRIEB ZN	MUELLE TRAC. TRANSM.RUEDA ZN
9	G19000091	ROCCETTO 2 META'	CHAIN TENSIONER	TENDEUR DE CHAINE 2 MOITIE	KLEINRAD SPANNER SA	CARRETE TENSOR SA
10	G19002810	CARTER RINVIO MICRO DX	RIGHT MICRO TRANSM. CASE	CARTER TRANSM. MICRO DRT	VORGELEGEGEHZE MIKRO RE	CæRTER TRANSMISIN MICRO DER C
11	G19002820	CARTER RINVIO MICRO SX	LEFT MICRO TRANSM. CASE	CARTER TRANSM. MICRO GCH	VORGELEGEGEHZE MIKRO LI	CæRTER TRANSMISIN MICRO IZQ C
12	G19002830	CARTER TRASMISSIONE SUPERIORE	TOP TRANSMISSION CASE	CARTER ENTRAINEMENT SUPERIEUR	OBERS ANTRIEBSGEHZE	CæRTER TRANSMISIN SUPERIOR C
13	G19002880	CARTER INFERIORE TRASM.SPAND.	BOTTOM SPREADER TRANSM. CASE	CARTER INFERIEUR TRANSM EPAND.	UNTER. ANTRIEBSGEHZE DsNG.GE	CæRTER INFER. TRANSMISIN ABONC
14	G22505085	FERMO ASSE IN LAMIERA	PLATE AXLE STOP	ARRET AXE EN TOLE	FESTSTELLVORRICHTUNG BLECHACHS	BLOQUEO EJE DE CHAPA
15	G20890128	CORONA Z-42 SP	RING GEAR Z-42 SP	COURONNE Z-42 SP	KRANZ Z-42 SP	CORONA Z-42 SP
16	G20970032	RONDELLA 32X4X8,5	WASHER 32X4X8-5	RONDELLE 32X4X8-5	UNTERLEGSCHIEBE 32X4X8-5	ARANDELA 32X4X8-5
17	G20980086	BOCCOLA DIST.D.8,5X16X31	BUSHING SPAC.. D.8-5X16X31	BOITE ENTRETOISE D. 8-5X16X31	VERTEILERBsCHSE D.8-5X16X31	CASQUILLO DIST. D.8-5X16X31
18	G22230094	SUPPORTO CUSCINETTO	BEARING SUPPORT	SUPPORT PALIER	LAGERBsCHSE	SOPORTE COJINETE
19	G20910039	INGRANAGGIO SUP.Z-20 FERRO *				
20	G22250006	INGR.CON MOZZO 1/2 Z-10 SV	GEARS- W/ HUB 1/2 Z-10 SV	ENGRENAGE AVEC MOYEU 1/2 Z-10	ZAHNRAD MIT NABE 1/2 Z-10 SV	ENGRAN.CON PERNO 1/2 Z-10 SV
21	F20110706	CAV.Q.M10X 1,5X 30 47X 60 ZN	DISK SUPPORT.ELEMENT U BOLT SV	CAVALIER SUPPORT DISQUE SV	VERBINDUNG SCHEIBENHALTERUNG S	PERNO EN U SOP. DISCO SV
22	G22270127	ASSE RUOTA CAMBIO 2F.L.500 SP	WHEEL AXLE - GEARBOX 2-ROW L.	AXE ROUE BOITE DE VITESSE	GEBTRIEBERADACHSE 2R.L.500 SP	EJE RUEDA CAMBIO 2 FILAS. L.50
23	F01060047	VITE M8X1,25X45 U5732 4.6 ZN	BOLT 8X45 5732 4.6 GALVANIZED	VIS 8X45 5732 4.6 ZN	SCHRAUBE 8X45 5732 4.6 ZN	TORNILLO 8X45 5732 4.6 ZN
24	F01020075	VITE M8X1,25X 55 U5737 8.8 ZN	BOLT 8 X55 5737 8.8 GALVANIZED	VIS 8 X55 5737 8.8 ZN	SCHRAUBE 8 X55 5737 8.8 ZN	TORNILLO 8 X55 5737 8.8 ZN
25	F01020083	VITE M 8X1,25X70 U5737 8.8 ZN	SCREW M8X1,25X70 U5737 8.8 ZN	VIS M8X70	SCHRAUBE M 8X70	TORNILLO M 8X70
26	F01020225	VITE M14X2X160 U5737 8.8 BR	SCREW M 14 X160 5737 8.8	VIS M 14 X160 5737 8.8	SCHRAUBE M 14 X160 5737 8.8	TORNILLO M 14 X160 5737 8.8
27	F01020403	VITE M6X1X16 U5739 8.8 ZN	SCREW M6X1X16 U5739 8.8 ZN	VIS M6X1X16 U5739 8.8 ZN	SCHRAUBE M6X1X16 U5739 8.8 ZN	TORNILLO M6X1X16 U5739 8.8 ZN
28	G15875320	CARTER RINVIO	INTERMEDIATE CASE	CARTER TRANSMISSION	VORGELEGEGEHZE	CµRTER TRANSMISIN
29	F01020436	VITE M 8X1,25X 20 U5739 8.8 ZN	SCREW M8X1,25X20 U5739 8.8 ZN	VIS M8X1,25X20 U5739 8.8 ZN	SCHRA. M8X1,25X20 U5739 8.8 ZN	TORN. M8X1,25X20 U5739 8.8 ZN
30	F01070074	VITE M4,2X1,41X25 U6954 4.8NI	BOLT 4-2X25 DIN 7981	VIS 4-2X25 DIN 7981	SCHRAUBE 4-2X25 DIN 7981	TORNILLO 4-2X25 DIN 7981
31	F01200232	DADO M 6X 1 U5588 6.8 ZN	NUT 6 UNI 5588 6.8 GALVANIZED	ECROU 6 UNI 5588 6.8 ZN	MUTTER 6 UNI 5588 6.8 ZN	TUERCA 6 UNI 5588 6.8 ZN
32	F01200244	DADO M 8X1,25 U5588 6.8 ZN	NUT M8 X1,25 U5588 6.8 ZN	ECROU M8 X1,25 U5588 6.8 ZN	MUTTER M8 X1,25 U5588 6.8 ZN	TUERCA M8 X1,25 U5588 6.8 ZN
33	F01200270	DADO M10X 1,5 U5588 6.8 ZN	NUT M10X 1,5 U5588 6.8 ZN	ECROU M10X 1,5 U5588 6.8 ZN	MUTTER M10X 1,5 U5588 6.8 ZN	TUERCA M10X 1,5 U5588 6.8 ZN
34	F01410037	ROS.M6 6,4X12,5X1,6 U6592 ZN	PLANE WASHER D.6	RONDELLE D.6	SCHEIBE D.6	ARANDELA D.6
35	F01410051	ROS.M8 8,4X 17X1,6 U6592 ZN	WASHER M8 8,4X17X1,6 U6592 ZN	RONDEL. M8 8,4X17X1,6 U6592 ZN	SCHEIBE M8 8,4X17X1,6 U6592 ZN	ARANDELA M8 8,4X17X1,6 U6592ZN
36	F01410064	ROS.M10 10,5X 20X 2 U6592 ZN	WASHER M10 10,5X20X2 U6592 ZN	RONDELL.M10 10,5X20X2 U6592 ZN	SCHEIBE M10 10,5X20X2 U6592 ZN	ARAND. M10 10,5X20X2 U6592 ZN
37	F01420011	ROS.M4 4,3X 16X 1 U6593 ZN	FLAT WASHER 4-3X 16X1-5 6593 G	ROND.PLATE 4-3X 16X1-5 6593 ZN	SCHEIBE 4-3X 16X1-5 6593 ZN	ARAND. PLANA 4-3X 16X1-5 6593 ZN
38	F01430047	ROS.M6 6,4X 11X0,7 U8842J ZN	WASHER D6 DIN 6798 D.INT.GALV.	RONDELLE D6 DIN 6798 D. INT. Z	UNT. SCHEIBE D6 DIN 6798 D. IN	ARANDELA D6 DIN 6798 D.INT.ZN
39	G15875310	RINVIO TRASMISSIONE	TRANSMISSION DRIVE ASS.	GR. RENVOI TRANSMISSION	VORGELEGE ANTRIEB	CONJ. REENV-O TRANSMISI-N
40	F01100011	ING.M 6X1 7663-A 9SMNPB28 ZN	GREASE NIPPLE M6X1 7663-A ZN	GRAISS. A BILLE M6X1 7663-A ZN	SCHMIERBUECHE M6X1 7663-A ZN	ENGRAS. DE ESFERAS M6X1 7663-A
41	F06080056	SP.CAT.1/2-3/16 105M.ISO 083-1				
42	F06080025	CATENA 1/2 ISO 083 56 MAGLIE	CHAIN 1/2-3/16 56 LINKS.	CHAINE 1/2-3/16 56 MAILLES	KETTE 1/2-3/16 56 GLIEDER	CADENA 1/2-3/16 56 ESLABNE
43	G66248152	MOZZO TRASM.MICRO M80	HUB - TRANSM. MICRO M80	MOYEU ENTRAINEMENT MICRO M80	ANTRIEBSNABE MIKRO M80	CUBO TRANSM. MICRO M80
44	G66248207	TENDICATENA SPAND. SP-520	CHAIN TENSIONER	TENDEUR DE CHAINE EPAND. ENGR.	KETTENSANNER DsNGERSTR. SP-52	TENSOR DE CADENA ABON. SP-520
45	G66248218	RONDELLA DISTAN.SPAND.	MAN. SPR. SPACER WASHER	RONDELLE ENTRETOISE EP. ENGRAI	ABSTANDSCHEIBE DsNGERSTREUER	ARANDELA DISTAN.ABONAD.
46	F01420048	ROS.M8 8,4X 24X 2 U6593 ZN	WASHER M8 8,4X 24X 2 U6593 ZN	RONDELLE M8 8,4X 24X2 U6593 ZN	SCHEIBE M8 8,4X 24X 2 U6593 ZN	ARANDELA M8 8,4X 24X2 U6593 ZN
47	F02200452	SPINA SCATTO D.4,4 B/80 ZN	SNAP PIN D4,4 B/80 ZN	FICHE A DETENTE D4,4 B/80 ZN	EINRASTSTIFT D4,4 B/80 ZN	CLAVIJA DE MUELLE D4,4 B/80 ZN
48	G10538351	CUSCINETTO F.Q. RIBASSATO	SQUARE HOLE BEARING	LAGER TROU CARRE	LAGER VIERKANTLOCH	COJINETE ORIFICIO CUADRADO
49	F01070073	VITE M4,2X1,41X9,5 U6954 4.8NI	BOLT 4-2X 9-5 DIN 7981	VIS 4-2X 9-5 DIN 7981	SCHRAUBE 4-2X 9,5 DIN 7981	TORNILLO 4-2X 9-5 DIN 7981
50	G15110091	SCONTRO A U	STRIKER	BRIDE 150 MM	ANSCHLAG	ELEMENTO DE EMPALME
51	F01200306	DADO M14X 2 U5588 6.8 ZN	NUT M14X2	ECROU M14X2	MUTTER M14X2	DADO M14X2
52	F01200244	DADO M 8X1,25 U5588 6.8 ZN	NUT M8 X1,25 U5588 6.8 ZN	ECROU M8 X1,25 U5588 6.8 ZN	MUTTER M8 X1,25 U5588 6.8 ZN	TUERCA M8 X1,25 U5588 6.8 ZN
53	F01020432	VITE M 8X1,25X16 U5739 8.8 ZN	SCREW M8X 1.25X16 U5739 8.8 ZN	VIS M8X16	SCHRAUBE M 8X16	TORNILLO M 8X16
54	G15870380	ASSE TRASM.L. 120	TRANSMISSION AXLE L120	AXE TRANSMISSION L.120	sBERTRAGUNGSACHSE L.120	EJE TRANSMISIN L 120 A
55	G22230142	ASSE 4 FILE L.800	4-ROW SPINDLE L.800	AXE 4 RANGEES L. 800	ACHSE 4 REIHEN B. 800	EJE 4 FILAS L.800
56	G20970142	RONDELLA 32X4X15,5	WASHER 32X4X15-5	RONDELLE 32X4X15-5	UNTERLEGSCHIEBE 32X4X15-5	ARANDELA 32X4X15-5



CONCIMAZIONE PNEUMATICA

TAV. 201

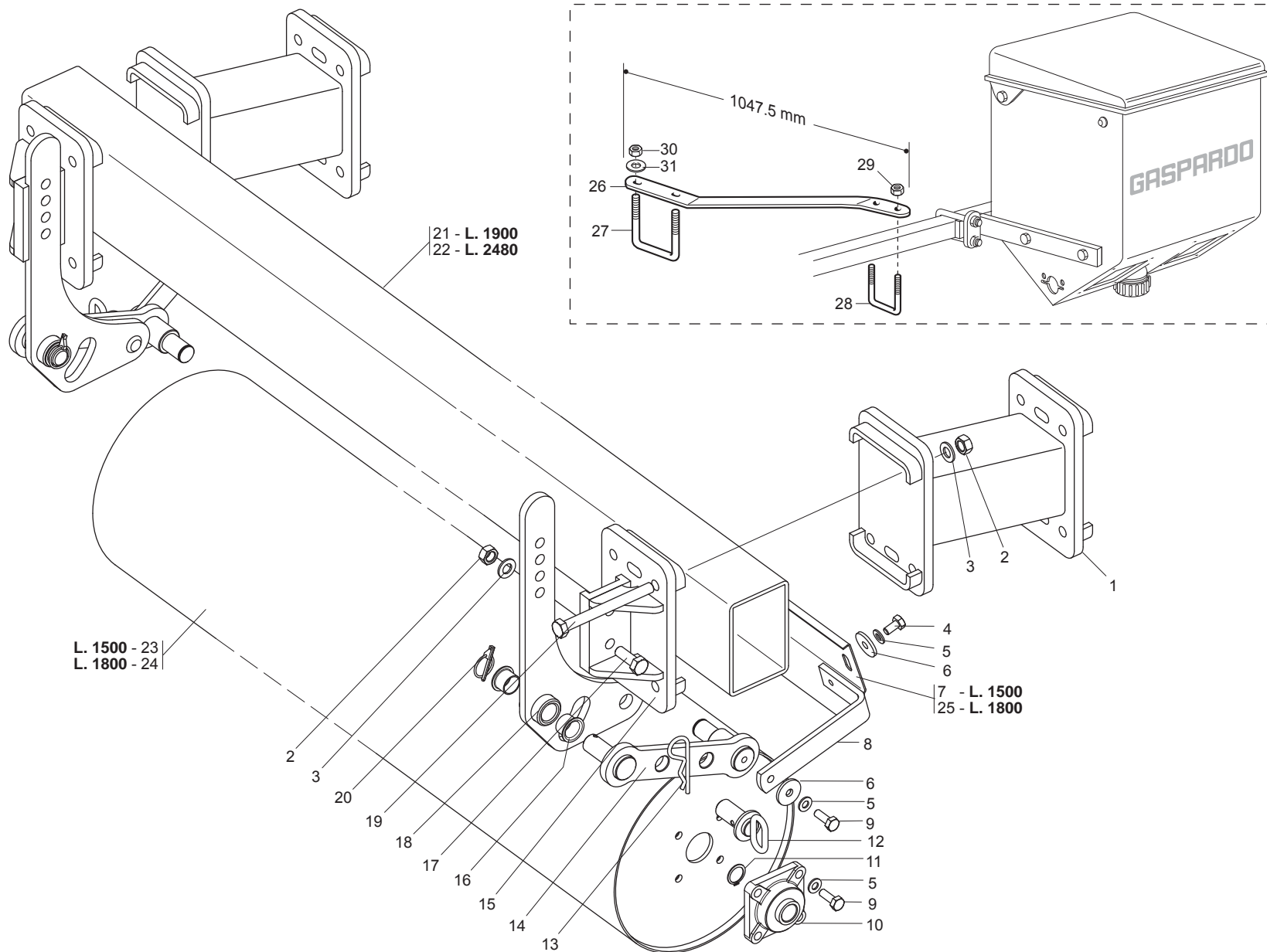
Pos.	Cod.	Descrizione	Description	Description	Benennung	Descripcion
1	G13912101	UGELLO CONCIMAZIONE PNEUMATICA	PNEUMATIC FERTIL. NOZZLE	BUSE FUMAGE PNEUMATIQUE	DsSE PNEUMATISCHE DsNGUNG	BOQUILLA DE ABONO NEUMATICA
2	G13912131	TUBO CONCIMAZIONE PNEUMATICA	PIPE PNEUMATIC FERTILISATION	TUBE FUMAGE PNEUMATIQUE	ROHR PNEUMATISCHE DsNGUNG	TUBO DE ABONO NEUMAT.
3	G13912350	FASCETTA VASO ESPANSIONE	EXPANSION CHAMBER CLAMP	COLLIER VASE EXPANSION	SCHELLE EXPANSIONSGEFZSS	ABRAZADERA DEPOSITO DE EXPANSION
4	G13912460	COPRIVENTOLA LATO SCHIENALE	BACK FAN PROTECTION	PROTECTION ROTOR DOSSIER	RUECKENLAUFRADSCHUTZ	PROTECCIN VENTILADOR RESPALDOP
5	G13912470	COPRIVENTOLA LATO MOTORE	MOTOR FAN PROTECTION	PROTECTION ROTOR MOTEUR	MOTORLAUFRADSCHUTZ	PROTECCIN VENTILADOR MOTOR P
6	G13912512	VASO ESPANSORE D.35-50	D.35-50 EXPANSION TANK	VASE EXPANSION D.35-50	EXPANSIONSGEFZSS D.35-50	DEPOSITO DE EXPANSION D.35-50
7	G15450390	PULEGGIA CONDOTTA	DRIVEN PULLEY D.28	POULIE ENTRAINEE D. 28	GETRIEBENE SCHEIBE D.28	POLEA CONDUCCIDA D.28
8	G15450401	PUL.CONDOTTA CONCIM.PNEUM.				
9	G15450410	RONDELLA X GIUNTO ELASTICO	LOCK WASHER	RONDELLE DE BLOCAGE	SPERRSCHEIBE	ARANDELA DE BLOQUEO
10	G15450420	GIUNTO ELAS.ROTEX19.95/98SHORE	LOCK COUPLING	JOINT DE BLOCAGE	SPERRKUPPLUNG	JUNTA DE BLOQUEO
11	G15450431	FLANGIA SUPP.CONC.PNEUM.	FLANGE SUPPORT	BRIDE SUPPORT	LAGERFLANSCH	BRIDA DE SOPORTE
12	G15470410	RINFORZO ANTERIORE	FRONT REINFORCEMENT	REINFORCEMENT AVANT	VORDERE VERSTZRKUNG	REFUERZO DELANTERO
13	G15470420	RINFORZO POSTERIORE	REAR REINFORCEMENT	REINFORCEMENT ARRIERE	HINTERE VERSTZRKUNG	REFUERZO TRASERO
14	G15471471	SUPPORTO CONVOGLIATORE	CONVEYOR SUPPORT	SUPPORT CONVOYEUR	HALTERUNG FTRDERER	SOPORTE TRANSPORTADOR
15	G18901960	GUIDATUBI PER 3 TUBI	PIPE GUIDE FOR 3 PIPES	GUIDE-TUBES POUR 3 TUBES	ROHRFSHRUNG Fsr 3 ROHRE	GUA TUBOS PARA 3 TUBOS G
16	G18902650	MOLLA SUPP.VASO ESPANSIONE	EXPANSION TANK SUPPORT SPRING	RESSORT SUPP. VAS EXPANSION	OB. FEDER EXPANSIONSGEFZSS	MUELLE SOP. DEPOSITO DE EXPANSION
17	F01020406	VITE M6X1X25 U5739 8.8 ZN	SCREW M6X 1X 25 U5739 8.8 ZN	VIS M 6X25	SCHRAUBE M 6X25	TORNILLO M 6X25
18	F01220011	DADO M 6X 1 D980 8 ZN	NUT M6X1 D980 8 ZN	ECROU M6X1 D980 8 ZN	MUTTER M6X1 D980 8 ZN	TUERCA M6X1 D980 8 ZN
19	G22230264	RONDELLA TUBI DEPR.	AIR PUMP PIPE WASHER	RONDELLE TUBES DISPOSITIF DE D	UNTERLEGSSCHEIBE VAKUUMPUMPENRO	ARANDELA TUBOS BOMBA VACO. S
20	G23440551	FLANGIA CONVOGLIATORE HL/ID	CONVEYOR FLANGE HL/ID	BRIDE CONVOYEUR HL/ID	FLANSCH FTRDERER HL/ID	BRIDA CONDUCTOR HL/ID
21	G23440553	CONVOGLIATORE D.35 HL/ID	CONVEYOR- D.35 HL/ID	CONVOYEUR D. 35 HL/ID	FTRDERER D.35 HL/ID	CONDUCTOR D.35 HL/ID
22	G23440562	DISTANZ.GUSCI SOFFIANTE HL/ID	BLOWER SHELL SPACER HL/ID	ENTRETOISE COQUES SOUFFLANTE H	DISTANZSTsCK SCHALEN GELBZSE H	DISTANC. CASCARAS SOPLAD. HL/I
23	G23440563	GRIGLIA DI PROTEZIONE HL/ID	PROTECT. GRID HL/ID	GRILLE DE PROTECTION HL/ID	SCHUTZGITTER HL/ID	REJILLA DE PROTECCIN HL/ID G
24	G23440564	COPERCHIO CHIUSURA SOFF. HL/ID	BLOWER CLOSING COVER . HL/ID	COUVERCLE FERMETURE SOUFFL. HL	ABSCHLUSSDECKEL GEBL. HL/ID	TAPA CIERRE SOPL. HL/ID
25	F01020048	VITE M6X1X75 U5737 8.8 ZN	SCREW M6X 1X75 U5737 8.8 ZN	VIS 6 X75 5737 8.G ZN	SCHRAUBE 6 X75 5737 8.G ZN	TORNILLO 6x75 5737 8.G ZN
26	F01020404	VITE M6X1X20 U5739 8.8 ZN	SCREW M 6X 1X20 U5739 8.8 ZN	VIS 6X20 5739 8.G ZN	SCHRAUBE 6X20 5739 8.G ZN	TORNILLO 6X20 5739 8.G ZN
27	F01020445	VITE M8X1,25X30 U5739 8.8 ZN	BOLT M8X30	VIS M8X30	SCHRAUBE M 8X30	TORNILLO M 8X30
28	F01020472	VITE M10X1,5X25 U5739 8.8 ZN	BOLT 10X25 5739 8.G GALVANIZED	VIS 10X25 5739 8.G ZN	SCHRAUBE 10X25 5739 8.G ZN	TORNILLO 10X25 5739 8.G ZN
29	F01020476	VITE M10X1,5X30 U5739 8.8 ZN	SCREW M10X1,5 X 30 5739 8.8 ZN	VIS M10X1,5 X 30 5739 8.8 ZN	SCHRA. M10X1,5X 30 5739 8.8 ZN	TORN. M10X1,5 X 30 5739 8.8 ZN
30	F01030054	VITE M 8X1,25X16 U5933 10.9 ZD	BOLT 8X16 UNI5933 10.9 GALVANI	VIS 8X16 UNI 5933 10.9 ZN	SCHRAUBE 8X16 UNI 5933 10.9 ZN	TORNILLO 8X16 UNI 5933 10.9 ZN
31	F01080044	VITE M5X0,8X14 U7688 4 8 ZN	BOLT 5 X14 7688 GALVANIZED	VIS 5 X14 7688 ZN	SCHRAUBE 5 X14 7688 ZN	TORNILLO 5 X14 7688 ZN
32	F01230048	DADO M10X 1,5 D982 8 ZN	NUT M10X 1,5 D982 8 ZN	ECROU M10X 1,5 D982 8 ZN	SCHEIBE M10X 1,5 D982 8 ZN	TUERCA M10X 1,5 D982 8 ZN
33	F01200232	DADO M 6X 1 U5588 6.8 ZN	NUT 6 UNI 5588 6.8 GALVANIZED	ECROU 6 UNI 5588 6.8 ZN	MUTTER 6 UNI 5588 6.8 ZN	TUERCA 6 UNI 5588 6.8 ZN
34	F01200244	DADO M 8X1,25 U5588 6.8 ZN	NUT M8 X1,25 U5588 6.8 ZN	ECROU M8 X1,25 U5588 6.8 ZN	MUTTER M8 X1,25 U5588 6.8 ZN	TUERCA M8 X1,25 U5588 6.8 ZN
35	F01200270	DADO M10X 1,5 U5588 6.8 ZN	NUT M10X 1,5 U5588 6.8 ZN	ECROU M10X 1,5 U5588 6.8 ZN	MUTTER M10X 1,5 U5588 6.8 ZN	TUERCA M10X 1,5 U5588 6.8 ZN
36	F01410037	ROS.M6 6,4X12,5X1,6 U6592 ZN	PLANE WASHER D.6	RONDELLE D.6	SCHEIBE D.6	ARANDELA D.6
37	F01410064	ROS.M10 10,5X 20X 2 U6592 ZN	WASHER M10 10,5X20X2 U6592 ZN	RONDELL.M10 10,5X20X2 U6592 ZN	SCHEIBE M10 10,5X20X2 U6592 ZN	ARAND. M10 10,5X20X2 U6592 ZN
38	F01420048	ROS.M8 8,4X 24X 2 U6593 ZN	WASHER M8 8,4X 24X 2 U6593 ZN	RONDELLE M8 8,4X 24X2 U6593 ZN	SCHEIBE M8 8,4X 24X 2 U6593 ZN	ARANDELA M8 8,4X 24X2 U6593 ZN
39	F01430047	ROS.M6 6,4X 11X0,7 U8842J ZN	WASHER D6 DIN 6798 D.INT.GALV.	RONDELLE D6 DIN 6798 D. INT. Z	UNT. SCHEIBE D6 DIN 6798 D. IN	ARANDELA D6 DIN 6798 D.INT.ZN
40	F04010165	CUSC.D20 D47 B14 6204,2RSC3	BEARING D20 D47 B14 6204 2RSC3	PALIER 6204 2RS	LAGER 6204 2RS	COJINETE 6204 2RS
41	F02050078	ANELLO E. DE 20X 1,2 U7435 C70	SEEGER RING E. 20X1,2 7435 C70	SEEGER 20X 1,2 U7435 C70	SEEGER E. 20X 1,2 U7435 C70	
42	F02150036	LINGUETTA 6X 6X 20 U6604A	PARALLEL KEY 6X 6X 20 U6604A	LANGUETTE 06X6X20 UNI6604	FEDERKEIL 06X6X20 UNI6604	LENGsETA 06X6X20 UNI6604
43	F03100367	TUBO VULCANO PU R 76	FLEXIBLE PVC PIPE R 76	TUBE FLEXIBLE PVC R 76	76 SCHLAUCH PVC	TUBO FLEXIBLE PVC R 76
44	F03100500	TUBO EOLO 35 PU	TUBE EOLO 35 PU	TUBE EOLO 35 PU		
45	F02300023	FASCETTA STRING. 80/100 H.8	PIPE CLAMP 80/100 H.8	COLLIER DE SERRAGE 77/95	ROHRSCHELLE 80/100 H.8	ABRAZADERA P. MANGUERA 80/100
46	F02300018	FASCETTA STRING. 25/40 H.8	PIPE TIE 25/40 H.8	COLLIER DE SERRAGE 25/40 H.8	SCHELLE 25/40 H.8	ABRAZADERA 25/40 H.8
47	F05150060	FASCETTA POLYAMIDE 9X380 31919	POLYAMIDE FASTENING STRAPS 9X3	COLLIER POLYAMIDE 9X350 31919	SCHELLE POLYAMID 9X350 31919	ABRAZADERA POLIAMIDA 9X350 319
48	G66248098	TAPPO CONVOGLIATORE DEPR. SP	AIR PUMP CONVEYOR PLUG SP	BOUCHON CONVOYEUR TURBINE SP	VAKUUM FTRDERPFROPFEN SP	TAPN CONDUCTOR DEPR. SP D
49	F03150664	TAPPO MASCHIO 1/8 ESAGONO	1/8 MALE HEXAGON. PLUG	BOUCHON MALE 1/8 HEXAGONAL	GEWINDEPFROPFEN 1/8 SECHSKANT	TAPN MACHO 1/8 HEXsGONO D
50	F06220034	VOLANTINO M5 X 25 VPA/25	HANDWHEEL M5 X 25 VPA/25	VOLANT M5 X 25 VPA/25	HANDRAD M5 X 25 VPA/25	VOLANTE M5 X 25 VPA/25
51	G67320001	VENTOLA PLASTICA DISCO L80M8	PLASTIC FAN- DISK L80M8	ROTOR PLASTIQUE DISQUE L80M8	SCHEIBE PLASTIKRAD L80M8	VENTILADOR PLsSTICO DISCO L80M
52	F01020037	VITE M6X1X30 U5737 8.8 ZN	BOLT M6X 1X 30 U5737 8.8 ZN	VIS M6X 1X 30 U5737 8.8 ZN	SCHRAUBE M6 X30 5737 8.G ZN	TORNILLO M6X 1X30 U5737 8.8 ZN
53	F01230016	DADO M 4X 0,7 D982 8 ZN	NORM.SELF-LOCKING NUT 4 GALVAN	ECROU AUTOB.NOR.4 ZN	SELBSTSP. MUTTER NOR. 4 ZN	TUERCA AUTOB. NOR. 4 ZN
54	G58162014	ELEM.ELAS.ROTEX 19.95/98 SHORE	ELASTIC ELEMENT OF JOINT 24.24	ELEM. ELASTIQUE DU JOINT 24.24	ELAST. KUPPLUNGSELEM. 24.24	ELEM.ELsSTICO DEL ACOPLAMIENTO
55	F15473770	SOFFIANTE CONC.PNEUM.COMPL.	COMPL. FERTILIZER PNEUMATIC BL	SOUFFLEUR ENGRAIS PNEUMATIQUE	UNTERLEGSSCHEIBE 20X28X2 DIN 98	SOPLADOR ABONO NEUM-TICO COMPL
56	F01440012	ROS. 20X28X 2 D988 IX	WASHER 20X28X2 DIN 988	RONDELLE 20X28X2 DIN 988	UNTERLEGSSCHEIBE 20X28X2 DIN 98	ARANDELA 20X28X2 DIN 988
57	F02050370	ANELLO E. DI 47X1,75 U7437 C70	SEEGER RING 47X 1,75 U7437 C70	SEEGER E. 47X 1,75 U7437 C70	SEEGERING E. 47X1,75 U7437 C70	ANILLO E. 47X 1,75 U7437 C70
58	F01020398	VITE M6X1X12 U5739 8.8 ZN	BOLT M6X12	VIS M 6X12	SCHRAUBE M 6X12	TORNILLO M 6X12
59	F01020362	VITE M4X0,7X12 U5739 8.8 ZN	SCREW 4X12 5739 8.G GALVANIZED	VIS 4X12 5739 8.G ZN	SCHRAUBE 4X12 5739 8.G ZN	TORNILLO 4X12 5739 8.G ZN



REGOLAZIONE CENTRALIZZATA SPANDICONCIME (SPEEDY SET)

TAV. 210

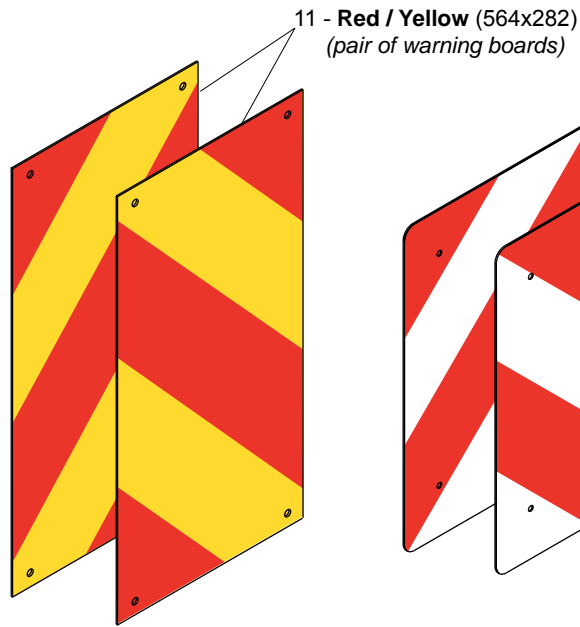
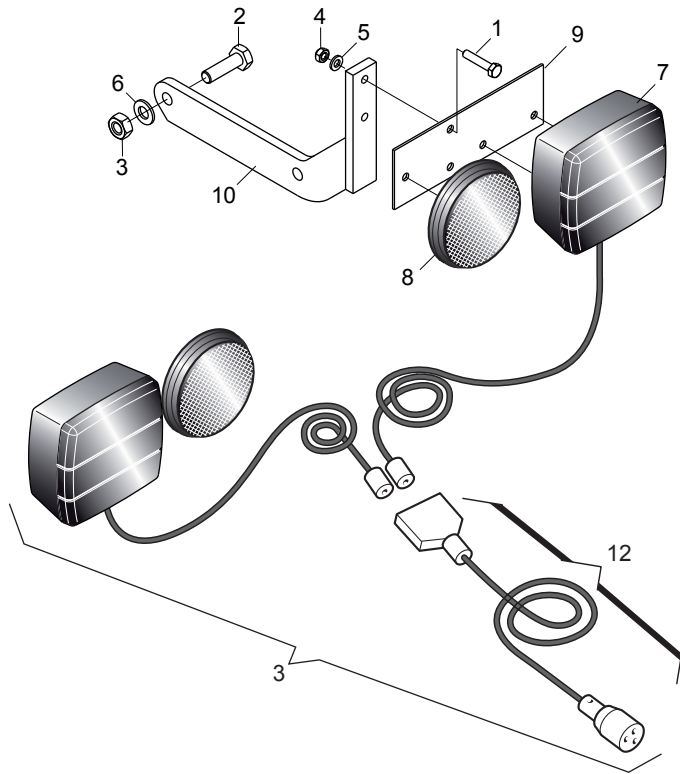
Pos.	Cod.	Descrizione	Description	Description	Benennung	Descripcion
1	F02100066	SPINA E.P. 4X 36 U6873 C70 BR				0
2	G19003660	SUPPORTO	SUPPORT	SUPPORT	HALTERUNG	SOPORTE
3	F01070061	VITE M3,9X1,34X9,5 U6954 4.8NI	BOLT 3,9X 9,5 DIN 7981	VIS 3,9X 9,5 DIN 7981	SCHRAUBE 3,9X 9,5 DIN 7981	TORNILLO 3,9X 9,5 DIN 7981
4	F01050083	VITE M5X0,8X12 U5927 A2 IX	GRUB-SCREW5X12 UNI 5927	GOUJON 5X12 UNI 5927	STIFT 5X12 UNI 5927	TORNILLO SIN CABEZA 5X12 5927
5	G19705101	DECAL.SPANDIC.CON SPEEDYSET				
6	G19003680	INGRANAGGIO Z.15	GEAR Z 15	ENGRENAGE Z 15	ZAHNRAD Z 15	ENGRANAJE Z 15
7	G16670040	DISTR.COMPL.8PALE SPEEDY SET P	COMPL.PLA.SPEEDY SET DISTR.8R	MINIMAX COMPL 8C PLA SPEEDYSET	KOMPL.DOSIER.SPEEDY SET PLA.8S	DISTR.COMP.SPEEDY SET PLA.8AL.
8	G16670320	TONDO D.10X780	D.10X780 ROUND	ROND D.10X780	RUNDEISEN D.10X780	BARRA REDONDA D. 10X780
9	F01420038	ROS.M6 6,4X 18X 2 U6593 IX	WASHER M6 6,4X18X2 U6593 IX	RONDELLE M6 6,4X18X2 U6593 IX	SCHEIBE M6 6,4X18X2 U6593 IX	ARANDELA M6 6,4X18X2 U6593 IX
10	F01200233	DADO M 6X 1 U5588 A2 IX	NUT M 6X 1 U5588 IX	ECROU M 6X 1 U5588 I	MUTTER M 6X 1 U5588	TUERCA M 6X 1 U5588
11	G19003670	MANOPOLA SPEEDY SET	SPEEDY HANDLE SET	POIGN+E SPEEDY SET	GRIFF SPEEDY SET	EMPUJADURA SPEEDY SET
12	F01020419	VITE M 6X1 X 16 U5739 A2 IX	BOLT M6 X1 X 16 U5739 8.8 IX	VIS M6 X1 X 16 U5739 8.8 IX	SCHRAUBE M6 X1 X 16 U5739 8.	TORNIL. M6 X1 X 16 U5739 8.8
13	G65336055	MOLLA SPEC.REGOL.SPAND. SP	SPEC SPRING MAN. SPR. ADJUSTM.	RESSORT SPEC. REGL. EP. ENTRA	SPEZIALFEDER STREUEREinstellUN	MUELLE ESPEC. REGUL. ABONADORA
14	G19003720	GHIERA REGOLAZIONE SX	LEFT ADJUSTMENT KNURLED NUT	MANCHON DE REGLAGE GCH	EINSTELLMUTTER LINKS	ROSCA REGULACION IZQUIERDA
15	G16670310	SUPPORTO MOLLA REGOLATORE				
16	G19003690	CREMAGLIERA	RACK	CR+MAILL+RE	ZAHNSTANGE	CREMALLERA
17	F01080032	VITE M4X0,7X10 U7688 A2 IX	SCREW M4X 0,7X10 U7688 A2 IX	VIS M4X 0,7X10 U7688 A2 IX	SCHRAUBE M4X 0,7X10 7688 A2 IX	TORNILLO M4X0.7X10 U7688 A2 IX
18	G16670100	REGOLATORE APERTURA	OPENING REGULATOR	REGULATEUR OUVERTURE	TFFNUNGSEINSTELLER	REGULADOR ABERTURA
19	G19003700	COPERCHIO SPEEDY SET	COVER SPEEDY SET	COUVERCLE SPEEDY SET	DECKEL SPEEDY SET	TAPA SPEEDY SET
20	G66248173	ASSE DISTR.SPAND. SP	MANURE SPREADER DISTR. SPINDLE	AXE DISTRIBUTEUR EP.ENGRAIS SP	ACHSE SZAPPARAT STREUER SP	EJE DISTR. ABON. SP
21	G66248172	DOSATORE DISTR.SPAND. SP	MAN.SPR. SEED METERING DEVICE	DOSEUR DISTRIBUTEUR EP. ENGRAI	DOSIERER DsNGERSTREUER. SP	DOSIFICADOR DISTR.ABON. SP
22	G66248211	PERNO RONDELLA FUSA SPAND. SP	MAN. SPR. CAST WASHER PIN. SP	PIVOT RONDELLE MOULEE EP. ENGR	ZAPPEN LOSE UNTERLEGSCHIEBE ST	PERNO ARANDELA FUNDIDA ABONAD
23	G19002920	CORPO DISTRIBUTORE SPANDI PLA.	PLA. F.SPREADER DISTRIB.CASING	CORPS DISTRIBUTEUR EPAND.	VERTEILUNGSKTRPER STREUER PLA.	CUERPO DIST. ABONADORA PLæS.
24	G18701500	RONDELLA 29,5 X38 X0,3	WASHER 29,5 X 38 X 0,3	RONDELLE 29,5 X38 X0,3	UNTERLEGSCHIEBE 29,5X38X0,3	ARANDELA 29,5 X38 X0,3
25	G20860126	KIT INGR DISTR CONCIME (2+2)	KIT- MAN. DISTR. GEARS (2+2)	COUPLE CON DISTR ENGRAIS (2+2)	KIT ZAHNRZDER DsNGERSTREUER	SET ENGRANAJES DISTRIB. ABONO
26	F01070075	VITE M4,2X1,41X38 U6954 4.8 NI	BOLT 4-2X38 DIN 7981	VIS 4-2X38 DIN 7981	SCHRAUBE 4-2X38 DIN 7981	TORNILLO 4-2X38 DIN 7981
27	G20970097	RONDELLA 32X3X4,5	WASHER 32X3X4-5	RONDELLE 32X3X4-5	UNTERLEGSCHIEBE 32X3X4-5	ARANDELA 32X3X4-5
28	G66248178	SCIVOLO DISTR.SPAND. SP	CHUTE- MANURE-SPREADER DISTRIB	LANCOIR DISTRIBUTION EP. ENGR.	DsNGERSTREUER RUTSCHE SP	PLANO INCLINADO DISTR. ABON. S
29	G65336062	MOLLA SPEC.SCIV.DISTR.SPAND.SP	SPEC SPRING - MAN. SPR. DISTR.	RESS. SPEC. LANCOIR DISTR. EP.	SPEZ.FEDER RUTSCHE SZAPP. STRE	MUELLE ESPEC.PLANO INCL.DISTR.
30	G19002850	PROTEZIONE PIGNONE	PINION GUARD	PROTECTION PIGNON	RITZELSCHUTZ	PROTECCIN PIGN PR
31	F01070011	VITE M4,2X1,41X9,5 U6950 4.8NI	BOLT- SELF-TAPPING 4-2X9-5T.E.	VIS AUTOTAR. 4-2X9-5 T. E. COU	SELBSTSCHNEID. SCHRAUBE 4-2X9-	TORNILLO AUTORROSC. 4-2X9-5
32	G13722330	DISTR.COMPL.8PALE SPEEDY SET F	COMPL.SPEEDY 8-BLADE DISTR. SE	DISTR.COMPL.8PALETTES SPEEDY S	SAATGUTAU.S.8SCH.KOMPL.SPEEDY S	DISTR.COMPL.8PALETAS SPEEDY SE
33	G16670330	TONDO D.10X1030	D.10X1030 ROUND	ROND D.10X1030	RUNDEISEN D.10X1030	BARRA REDONDA D. 10X1030
34	G16670340	TONDO D.10X1230	D.10X1230 ROUND	ROND D.10X1230	RUNDEISEN D.10X1230	BARRA REDONDA D. 10X1230
35	G16670350	TONDO D.10X1430	D.10X1430 ROUND	ROND D.10X1430	RUNDEISEN D.10X1430	BARRA REDONDA D. 10X1430
36	G66248176	CORPO DISTR.SPAND. SP	MANURE SPREADER DISTR. CASING	CORPS DISTRIB. EP. ENGRAIS SP	VERTEILUNGSKTRPER STREUER SP	CUERPO DISTR. ABON. SP
37	G19003710	GHIERA REGOLAZIONE DX	RIGHT ADJUSTMENT KNURLED	BAGUE REGLAGE DROITE	EINSTELLMUTTER RE	CONTRATUERCA REGULACIN DER.



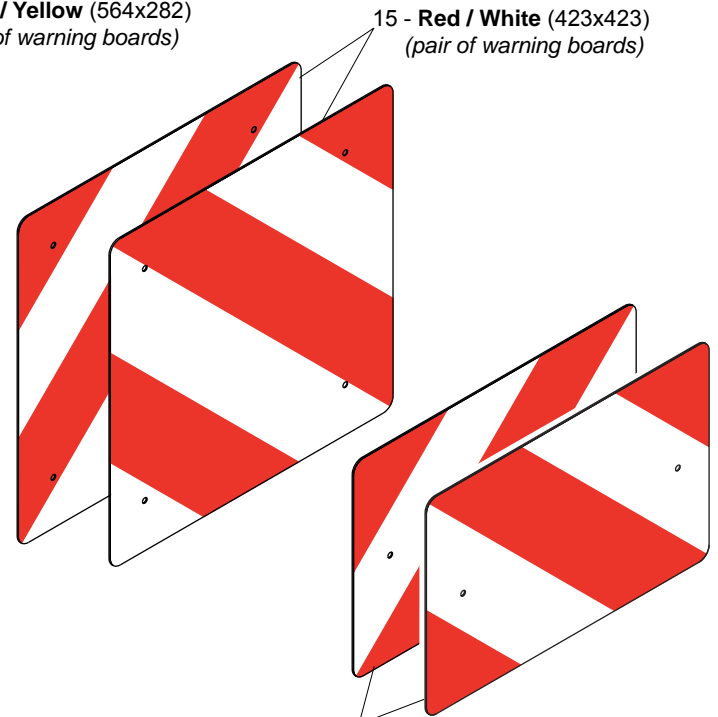
RULLO ANTERIORE

TAV. 221

Pos.	Cod.	Descrizione	Description	Description	Benennung	Descripcion
1	G15816370	DISTANZIALE TELAIO	FRAME SPACER ASS.	GR. ENTRETOISE BATI	DISTANZSTsCK RAHMEN	CONJ. DISTANCIADOR BASTIDOR
2	F01200306	DADO M14X 2 U5588 6.8 ZN	NUT M14X2	ECROU M14X2	MUTTER M14X2	DADO M14X2
3	F01410088	ROS.M14 15X 28X2,5 U6592 ZN	WAS.M14 15X 28X2,5 U6592 ZB	RON.M14 15X 28X2,5 U6592 ZB	SCH.M14 15X 28X2,5 U6592 ZB	ARA.M14 15X 28X2,5 U6592 ZB
4	F01020470	VITE M10X1,5X20 U5739 8.8 ZN	BOLT M 10X20	VIS M 10X20	SCHRAUBE M 10X20	TORNILLO M 10X20
5	F01430023	ROS.M10 10,5X 18X0,9 U8842J ZN	WASHER D10 DIN 6798 D.INT.ZN	RONDELLE D10 DIN 6798 D. INT.	UNT. SCHEIBE D10 DIN 6798 D.IN	ARANDELA D10 DIN 6798 D.INT.ZN
6	G20970099	RONDELLA 38X4X11 *	WASHER 38X4X11	RONDELLE 38X4X11	UNTERLEGSSCHEIBE 38X4X11	ARANDELA 38X4X11
7	G15810410	RASCHIATERRA PER RULLO 1500	SOIL SCRAPER FOR ROLLER 1500	RACLEUR ROULEAU 1500	ERDSHABER ROLLE 1500	RASCADOR DE TIERRA POR RODILLO
8	G15810330	SUPPORTO RASCH.RULLO 355	ROLLER 355 SOIL SCRAPER SUPPOR	SUPPORT RACLEUR ROULEAU 355	HALTERUNG ERDSCHABER ROLLE 355	SOPORTE RASCADOR TIERRA RODILL
9	F01020476	VITE M10X1,5X30 U5739 8.8 ZN	SCREW M10X1,5 X 30 5739 8.8 ZN	VIS M10X1,5 X 30 5739 8.8 ZN	SCHRA. M10X1,5X 30 5739 8.8 ZN	TORN. M10X1,5 X 30 5739 8.8 ZN
10	F04100137	SUPPORTO FY 25 TF	SUPPORT FY 25 TF			
11	F02050101	ANELLO E. DE 25X 1,2 U7435 C70	SEEGER RING E. 25X1,2 7435 C70	SEEGER E. 25X 1,2 U7435 C70	SEEGERING E. 25X 1,2 U7435 C70	ANILLO E. 25X 1,2 U7435 C70
12	G15810471	ASS.PERNO BLOCCAGGIO RULLO ZN	GALVAN. PIN BLOCK ROLLER	PIVOT BLOCAGE ROULEAU ZN	ZAPFEN ROLLEBLOCK ZN	PERNO BLOQUE RODILLO ZN
13	F02200397	COPIGLIA R 5X100 ZN	SPRING SPLIT PIN 5X100 ZN	GOUPILLE R 5X100 ZN	SPLINT R 5X100 ZN	CLAVIJA R 5X100 ZN
14	G15810240	BRACCIO SUPPORTO RULLO	ROLLER SUPPORT ARM COUPLING	GR. BRAS SUPPORT ROULEAU	WALZENHALTERUNGSARM	CONJ. BRAZO SOP. RODILLO
15	G15816380	ATTACCO RULLO	ROLLER COUPLING ASS.	GR. FIXATION ROULEAU	KUPPLUNG ROLLE	CONJ. CONEXIN RODILLO
16	F04150019	BOCCOLA FLANG.25 X 28 X 20 >	COLLARED BUSH 25 X 28 X 20	BOITE COLLIER 25 X 28 X 20	ANSCHLUSSBUECHSE 25 X 28 X 20	CASQUILLO CONEX. 25 X 28 X 20
17	F01020198	VITE M14X2X45 U5737 8.8 ZN	SCREW M14X2X45 U5737 8.8 ZN	VIS 14X45 5737 8.G ZN *	SCHRAUBE 14X45 5737 8.G ZN *	TORNILLO 14X45 5737 8.G ZN *
18	G15810190	SUPPORTO RULLO	ROLLER SUPPORT ASS.	GR. SUPPORT ROULEAU	HALTERUNG ROLLE	CONJ. SOP. RODILLO
19	F01020223	VITE M14X2X150 U5737 8.8 BR	SCREW 14X150 5737 8.G	VIS 14X150 5737 8.G	SCHRAUBE 14X150 5737 8.G	TORNILLO 14X150 5737 8.G
20	F02200463	SPINA SCATTO D. 5 B/81 ZN	SNAP PIN D5 B/81 ZN	FICHE A DETENTE D5 B/81 ZN	EINRASTSTIFT D5 B/81 ZN	CLAVIJA DE MUELLE D5 B/81 ZN
21	G16610040	TUBO RET.150X100X1900	RECTANGULAR PIPE 150X100X1900	TUBE RECTANGULAIRE 150X100X190	RECHTECK.ROHR150X100X1900	TUBO RECT.150X100X1900
22	G16610050	TUBO R.150X100X2480	RECTANGULAR PIPE 150X100X2480	TUBE RECT.150X100X6X2480	R. ROHR150X100X6X2480	TUBO RECT.150X100X6X2480
23	G15810310	RULLO 355X1500	ROLLER 355X1500 ASS.	GR. ROULEAU 355X1500	ROLLE 355X1500	CONJ. RODILLO 355X1500
24	G15810870	RULLO D.355X1800	ROLLER 355X1500 ASS.	GR. ROULEAU 355X1800	ROLLE 355X1800	CONJ. RODILLO 355X1800
25	G15810890	RASCHIATERRA PER RULLO 1800	SOIL SCRAPER FOR ROLLER 1800	RACLEUR ROULEAU 1800	ERDSHABER ROLLE 1800	RASCADOR DE TIERRA POR RODILLO
26	GA5820340	TIRANTE BARRA MICRO RULLO ANT.				
27	F20110770	CAV.Q.M14X 2X 50 96X119 ZN	U BOLT M14X2X50 96X119 ZN	BRIDE U M14X2X50 96X119 ZN	ANSCHLANG U M14X2X50 96X119 ZN	EL.DE EMPALME M14X2X50 96X119
28	F20110706	CAV.Q.M10X 1,5X 30 47X 60 ZN	DISK SUPPORT.ELEMENT U BOLT SV	CAVALIER SUPPORT DISQUE SV	VERBINDUNG SCHEIBENHALTERUNG S	PERNO EN U SOP. DISCO SV
29	F01200270	DADO M10X 1,5 U5588 6.8 ZN	NUT M10X 1,5 U5588 6.8 ZN	ECROU M10X 1,5 U5588 6.8 ZN	MUTTER M10X 1,5 U5588 6.8 ZN	TUERCA M10X 1,5 U5588 6.8 ZN
30	F01200306	DADO M14X 2 U5588 6.8 ZN	NUT M14X2	ECROU M14X2	MUTTER M14X2	DADO M14X2
31	G20970142	RONDELLA 32X4X15,5	WASHER 32X4X15-5	RONDELLE 32X4X15-5	UNTERLEGSSCHEIBE 32X4X15-5	ARANDELA 32X4X15-5

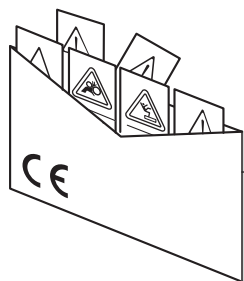


11 - Red / Yellow (564x282)
(pair of warning boards)



15 - Red / White (423x423)
(pair of warning boards)

(423x282) Red / White - 16
(pair of warning boards)



13
 DECALCOMANIE AVVERTIMENTO
 DECAL
 DBZIEHBILD
 DECALCOMANIE
 CALCOMANIE
 CALCOMANIE



14
 Rosso Gaspardo - 1Kg
 Gaspardo red - 1Kg
 Rot Gaspardo - 1Kg
 Rouge Gaspardo - 1Kg
 Rojo Gaspardo - 1Kg

GASPARDO
ORietta
OLIMPIA

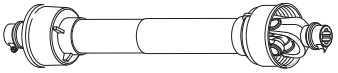
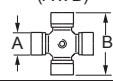
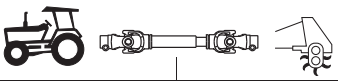
12

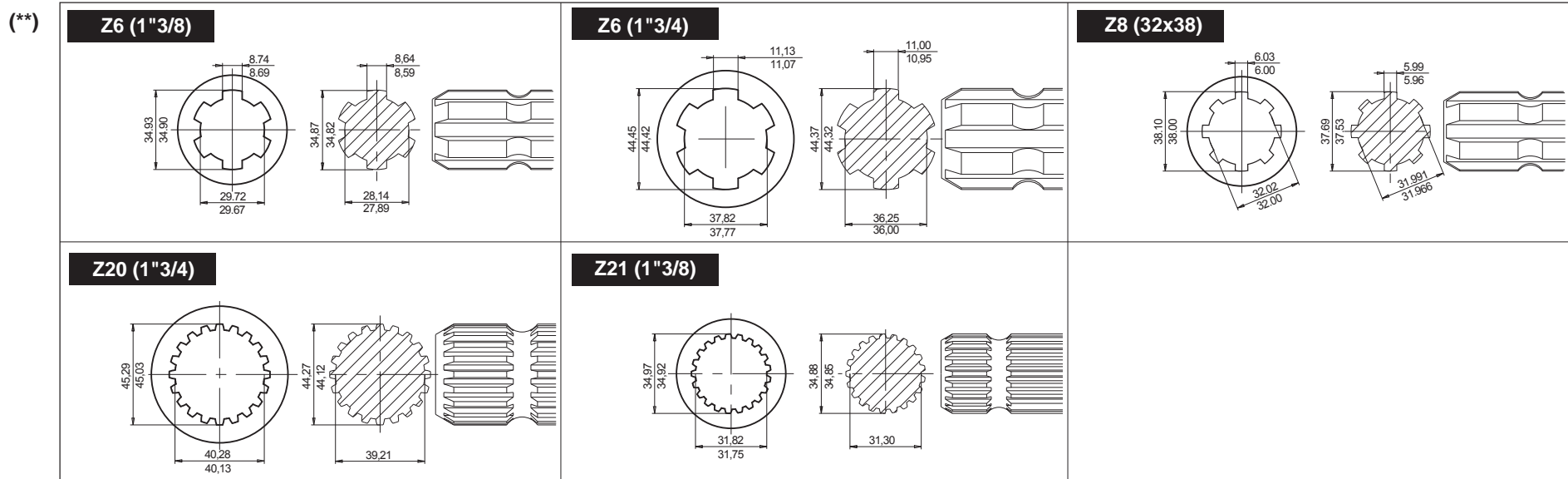
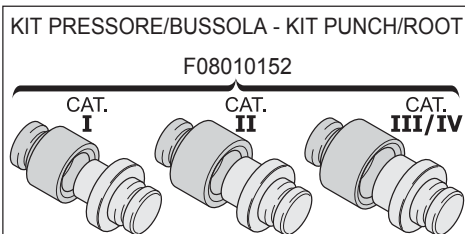
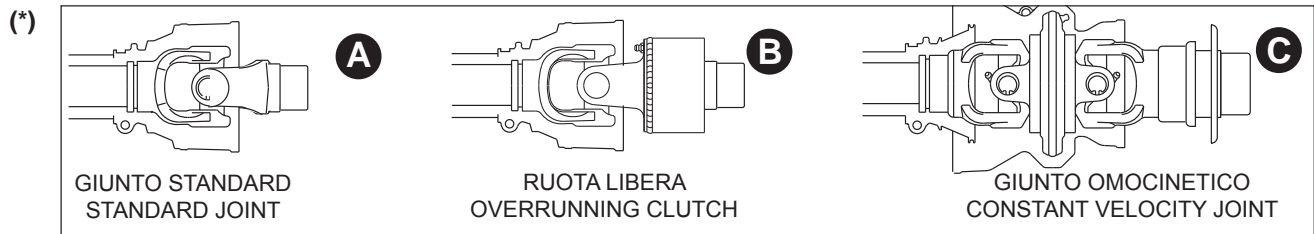
ACCESSORI

TAV. 251

Pos.	Cod.	Descrizione	Description	Description	Benennung	Descripcion
1	F01020408	VITE M6X1X30 U5739 8.8 ZN	BOLT M6X1X30	VIS M6X1X30	SCHRAUBE M 6X1X30	TORNILLO M6X1X30
2	F01020479	VITE M10X1,5X35 U5739 8.8 ZN	SCREW M10X1,5X35 U5739 8.8 ZN	VIS M10X1,5X35 U5739 8.8 ZN	SCHR. M10X1,5X35 U5739 8.8 ZN	TORN. M10X1,5X35 U5739 8.8 ZN
3	F01200270	DADO M10X 1,5 U5588 6.8 ZN	NUT M10X 1,5 U5588 6.8 ZN	ECROU M10X 1,5 U5588 6.8 ZN	MUTTER M10X 1,5 U5588 6.8 ZN	TUERCA M10X 1,5 U5588 6.8 ZN
4	F01220011	DADO M 6X 1 D980 8 ZN	NUT M6X1 D980 8 ZN	ECROU M6X1 D980 8 ZN	MUTTER M6X1 D980 8 ZN	TUERCA M6X1 D980 8 ZN
5	F01410037	ROS.M6 6,4X12,5X1,6 U6592 ZN	PLANE WASHER D.6	RONDELLE D.6	SCHEIBE D.6	ARANDELA D.6
6	F01410064	ROS.M10 10,5X 20X 2 U6592 ZN	WASHER M10 10,5X20X2 U6592 ZN	RONDELL.M10 10,5X20X2 U6592 ZN	SCHEIBE M10 10,5X20X2 U6592 ZN	ARAND. M10 10,5X20X2 U6592 ZN
7	F05010076	FANALE X KIT LUCI	LAMP KIT LIGHTS COMPL.	FEU KIT ECLAIRAGE COMPL.	LAMPEN KIT LICHT KOMPL.	FAROL SET LUCES COMPL.
8	F05010221	CATARIFRANGENTE TONDO D.80 >	D.80 ROUND REFLECTOR	CATADIOPTRÉ ROND D.80	RUNDER R_CKSTRAHLER D.80	PAPEL REFRACTARIO REDONDO D.80
9	G13616570	PIASTRA SUPP.LUCI	LIGHTS SUPPORT PLATE	PLAQUE DE SUPPORT ECLAIRAGE	LICHTERHALTERUNGSPLATTE	PLACA SOPORTE LUCES
10	G15817130	SUPPORTO KIT LUCI				
11	F05010357	N.2 PANNELLI CARICHI SPORGENTI	N.2 JUTTING LOAD PANELS	N.2 PANNEAUX CHARGES SAILLANT	N.2 TAFELN VORSRINGENDE LADUN	2 PANELES CARGADOS SALIENTES
12	G89900515	KIT DECALCOMANIE ORIETTA	ORIETTA DECAL KIT	KIT DECALCOM. ORIETTA	KIT ABZIEHB. ORIETTA	SET CALCOM. ORIETTA
13	G89900500	KIT DECALCOMANIE -CE-	DECAL KIT -CE-	KIT DECALCOMANIE -CE- K	IT ABZIEHB. -CE- S	ET CALCOMANAS -CE-
14	F03200253	ARANCIO RAL2002 BICOMP.LT.1,5	RAL2002 1,5			
15	F05010590	PANNELLI CAR.SPORG.423X423				
16	F05010591	PANNELLI CAR.SPORG.423X282				

TAV. 321

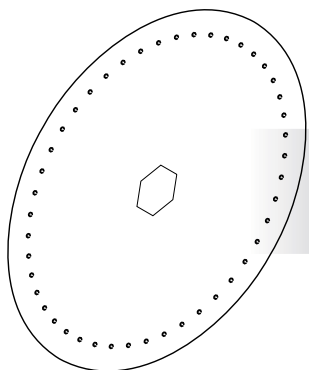
 Codice - Code Descrizione - Description		Lunghezze Lengths		Classe - Size (A x B) 	Tipo - Type (*) 		Forcelle - Yokes (**)				
		min.	max.		A	B	Z6 (1"3/8)	Z6 (1"3/4)	Z8 (32x38)	Z20 (1"3/4)	Z21 (1"3/8)
F08011711	CARD.B1 Z6-Z6 L700	700	1100	B1 (22 x 54)	A	A	G58161015	F08011772	F08011742	F08011758	F08011767
F08011713	CARD.B1 Z8-Z6 L700	700	1100	B1 (22 x 54)	A	A	G58161015	F08011772	F08011742	F08011758	F08011767
F08011714	CARD.B1 Z20-Z6 L700	700	1100	B1 (22 x 54)	A	A	G58161015	F08011772	F08011742	F08011758	F08011767
F08011715	CARD.B1 Z8-Z6 L900 R.LIB	900	1400	B1 (22 x 54)	A	B	G58161015	F08011772	F08011742	F08011758	F08011767
F08011716	CARD.B1 Z6-Z6 L900 R.LIB	900	1400	B1 (22 x 54)	A	B	G58161015	F08011772	F08011742	F08011758	F08011767
F08011719	CARD.B2 Z6-Z6 L900	900	1400	B2 (23,8 x 61,3)	A	B	—	—	—	—	—
F08011720	CARD.B3 Z8-Z6 L1300	1300	2000	B3 (27 x 70)	A	A	—	G58161016	F08011743	—	—
F08011757	CARD.B1 Z20-Z6 L900 R.L	900	1400	B1 (22 x 54)	A	B	G58161015	F08011772	F08011742	F08011758	F08011767
F08011764	CARD.R4 Z20-Z6 L1210 OM-RL	1210		R4 (27 x 74,6)	A	C	F08011768	—	F08011766	F08011774	F08011773
F08011930	CARD.B3 Z6-Z6 L1200	1200	1700	B3 (27 x 70)	A	A	—	G58161016	F08011743	—	—



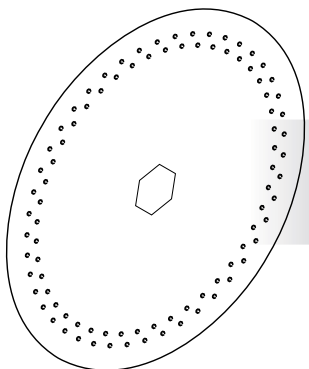
CARDANI

TAV. 321

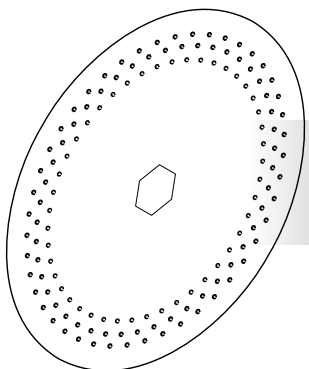
Pos.	Cod.	Descrizione	Description	Description	Benennung	Descripcion
	F08010152	KIT PRESSORE BUSSOLA CAT I-IV>	TOOLS FOR PTO YOKE CAT I-IV			
	F08011711	CARD.B1 Z6-Z6 L700				
	F08011713	CARD.B1 Z8-Z6 L700	PTO SHAFT B1 Z8-Z6 L700			
	F08011714	CARD.B1 Z20-Z6 L700	UNIVERSAL JOINT B1 Z20-Z6 L700			
	F08011715	CARD.B1 Z8-Z6 L900 R.LIB	CARD.B1 Z8-Z6 L900 FREE W.			
	F08011716	CARD.B1 Z6-Z6 L900 R.LIB	CARD.B1 Z6-Z6 L900 R.LIB	CARD ROUE LIBRE T100710 112R12	KARDAN CE T100710 112 R12	CARDAN CE T100710 112 R12
	F08011719	CARD.B2 Z6-Z6 L900	UNIVERSAL JOINT 102 071 N T07	CARD. 102 071 N T07 T07 1 CAT	KARDAN 102 071 N T07 T07 1CAT	CARDæN 102 071 N T07 T07 1CAT
	F08011720	CARD.B3 Z8-Z6 L1300	UNIV.JOINT B3 Z8-Z6 L1300			
	F08011742	FORCELLA CARD.32X38 Z8 B1	YOKE CARD.32X38 Z8 B1	FOURCHETTE CARDAN Z8 B1	GABEL KARDAN Z8 B1	HORQUILLA CARDAN Z8 B1
	F08011743	FORCELLA CARD.32X38 Z8 B3	YOKE CARD.32X38 Z8 B3			
	F08011757	CARD.B1 Z20-Z6 L900 R.L >	UNIVERSAL JOINTB1 Z20-Z6 L900			
	F08011758	FORCELLA CARD.1"3/4 Z20 B1 >				
	F08011764	CARDANO OM 3/4Z20-RL Z6 L1381	CARD.R4 Z20-Z6 L1381 OM-RL			
	F08011766	FORCELLA CARD.32X38 Z8 R4	FORK 32X38 Z8 R4			
	F08011767	FORCELLA CARD.1 3/8 Z21 B1 >				
	F08011768	FORCELLA CARD.1 3/8 Z6 R4	FORK 1 3/8 Z6 R4			
	F08011772	FORCELLA CARD.1"3/4 Z6 B1 >	YOKE 1" 3/4 Z6 B1			
	F08011773	FORCELLA CARD.1 3/8 Z21 R4 >	FORK 1 3/8 Z21 R4			
	F08011774	FORCELLA CARD.1 3/4 Z20 R4				
	F08011930	CARD.B3 Z6-Z6 L1200	UNIVERSAL JOINT B3 1200 CE			
	G58161015	FORCELLA CARD.1'3/8 Z6 B1				
	G58161016	FORCELLA CARD.1'3/8 Z6 B3 >				



Fila singola - Single row - Einreihig - Un seul rang - Hilera sencilla										
Fori - Holes - Troues - Löcher - Agujeros	Nr.	Fori - Holes - Troues - Löcher - Agujeros Ø								
		0,5	0,6	0,8	1	1,2	1,5	2	2,2	2,5
24	G15823880	G15823890	G15823900	G15823910	G15823920	G15823930	G15823940	G15823950	G15823960	G15823970
45	G15824200	G15824210	G15824220	G15824230	G15824240	G15824250	G15824260	G15824270	G15824280	G15824290
75	G15824300	G15824310	G15824320	G15824330	G15824340	G15824350	G15824360	G15824370	G15824380	G15824390
90	G15824400	G15824410	G15824420	G15824430	G15824440	G15824450	G15824460	G15824470	G15824480	G15824490
120	G15824600	G15824610	G15824620	G15824630	G15824640	G15824650	G15824660	G15824670	G15824680	G15824690



DR Fila doppia - Double row - Doppelreihe - Double rang - Hilera doble						
Fori - Holes - Troues - Löcher - Agujeros	Nr.	Fori - Holes - Troues - Löcher - Agujeros Ø				
		0,5	0,6	0,8	1	1,2
24	G15880010	G15880020	G15880030	G15880040	G15880050	G15880060
45	G15880110	G15880120	G15880130	G15880140	G15880150	G15880160
75	G15880210	G15880220	G15880230	G15880240	G15880250	G15880260
90	G15880310	G15880320	G15880330	G15880340	G15880350	G15880360
120	G15880410	G15880420	G15880430	G15880440	G15880450	G15880460



TR Fila Tripla - Triple row - Dreiergruppereihe - Triple rang - Hilera Triple				
Fori - Holes - Troues - Löcher - Agujeros	Nr.	Fori - Holes - Troues - Löcher - Agujeros Ø		
		0,6	0,8	1
45	-		G15880810	G15880820
75	-		G15880860	G15880870
90	G15882500		G15880910	G15880920
120	-		G15880960	G15880970

**USATE SEMPRE RICAMBI ORIGINALI
ALWAYS USE ORIGINAL SPARE PARTS
IMMER DIE ORIGINAL-ERSATZTEILE VERWENDEN
EMPLOYEZ TOUJOURS LES PIECES DE RECHANGE ORIGINALES
UTILIZAR SIEMPRE REPUESTOS ORIGINALES**

GASPARDO

**Servizio Assistenza Tecnica - After Sales Service
Servizio Ricambi - Spare Parts Service
+39 0434 695410**

DEALER:



MASCHIO GASPARDO SpA
Registered office & Production plant
Via Marcello, 73 - 35011 Campodarsego (Padova) - Italy
Tel. +39 049 9289810
Fax +39 049 9289900
info@maschio.com
www.maschionet.com

MASCHIO GASPARDO SpA
Production plant
Via Mussons, 7 - 33075
Morsano al Tagliamento (PN) - Italy
Tel. +39 0434 695410
Fax +39 0434 695425
info@gaspardo.it

MASCHIO DEUTSCHLAND GMBH
Äußere Nürnberger Straße 5
D - 91177 Thalmässing - Deutschland
Tel. +49 (0) 9173 79000
Fax +49 (0) 9173 790079
dialog@maschio.de
www.maschio.de

MASCHIO FRANCE Sarl
1, Rue de Mérignan ZA
F - 45240 La Ferte St. Aubin
France
Tel. +33 (0) 2.38.64.12.12
Fax +33 (0) 2.38.64.66.79
info@maschio.fr

000 МАСКИО-ГАСПАРДО РУССИЯ
Улица Пушкина, 117 Б
404126 Волжский
Волгоградская область
Тел. +7 8443 515152
факс. +7 8443 515153
info@maschio.ru

MASCHIO-GASPARDO ROMANIA S.R.L.
Strada Înfrâtririi, F.N.
315100 Chisineu-Cris (Arad) -România
Tel. +40 257 307030
Fax +40 257 307040
info@maschio.ro

MASCHIO-GASPARDO North America
120 North Scott Park Road
Eldridge, IA 52748 - USA
Ph. +1 563 2859937
Fax +1 563 2859938
info@maschio.us

**MASCHIO-GASPARDO IBERICA
MASCHIO-GASPARDO POLAND
MASCHIO-GASPARDO UCRAINA
GASPARDO-MASCHIO TURCHIA
MASCHIO-GASPARDO CINA**