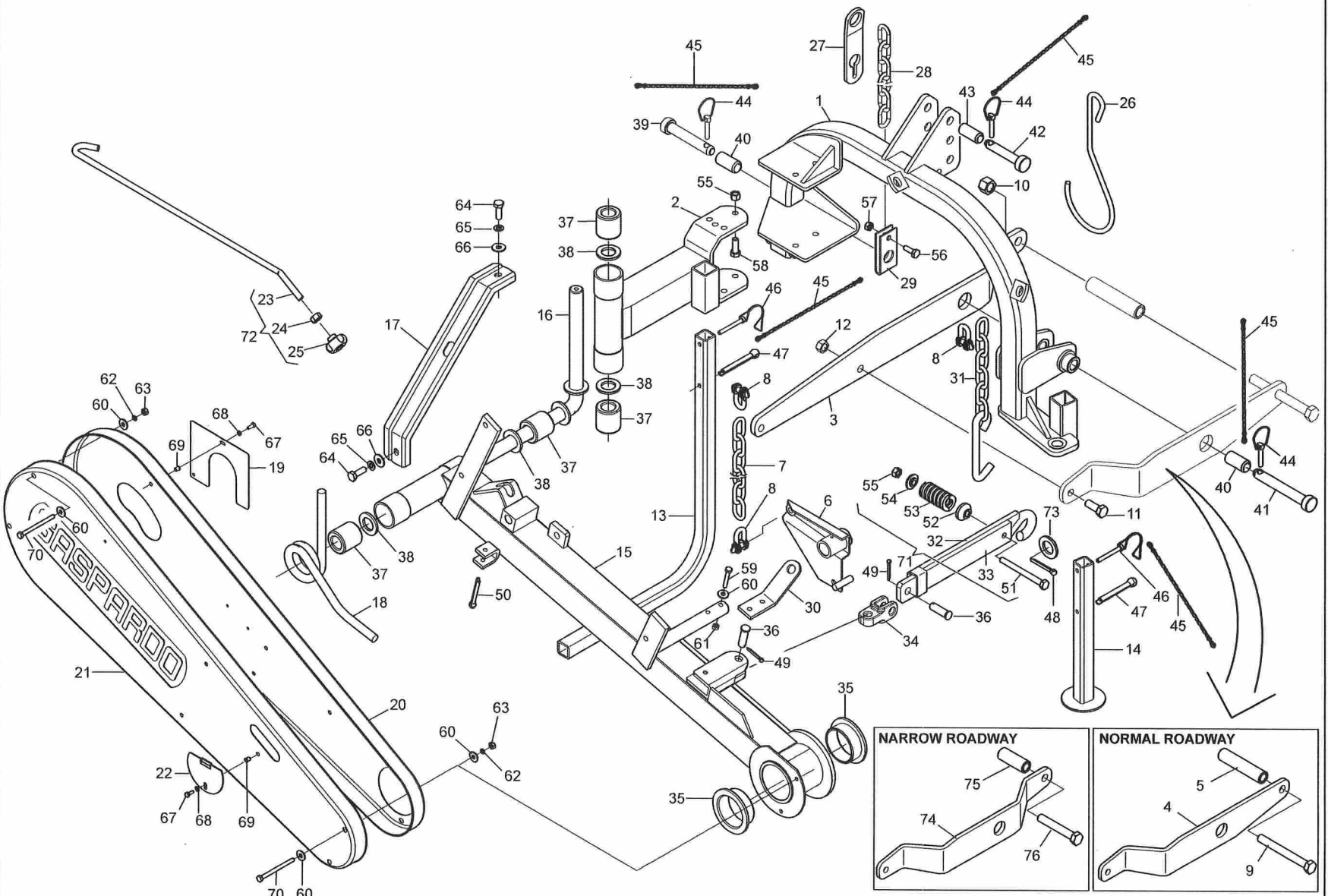


TAV. 951/12



SPARE PARTS

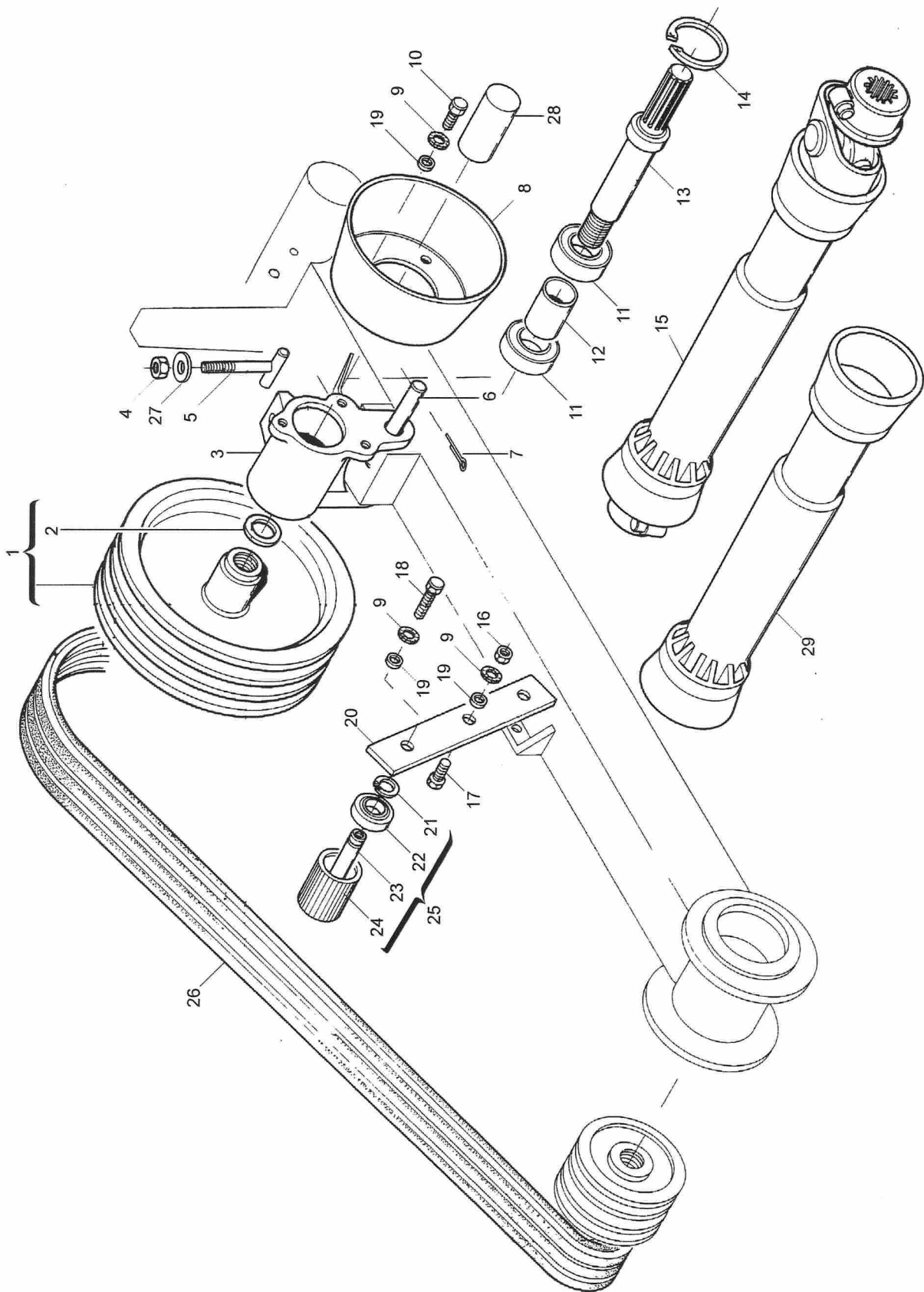
FRAME

TAV. 951/12

Pos.	Cod.	Description	Pos.	Cod.	Description
1	G12217591	FBR FRAME	39	F20100047	PIN
2	G12217821	JOINT	40	G21010042	BUSHING 1.-2. POINT
3	G12217600	LONG ARM	41	F20100115	GASPARDO PIN 22X144 ZN
4	G12217610	SHORT ARM	42	F20100035	PIN
5	G12217620	ARM SPACER	43	G12217660	THIRD POINT BUSH
6	G21120006	LIFTER ROCKER	44	F02200507	SNAP PIN D 9 B/83
7	G12210460	ARM SIDE CHAIN L.600	45	G13812311	CHAIN WITH SPRING CATCH
8	F02250667	CLEVIS- 3/8- GALVANISED-ART.	46	F02200562	SPLIT PIN D.8X70 ZB
9	F01020323	SCREW M20X200 U5737 8.8 ZB	47	F02200272	SPLIT PIN 10 X60 1336 GALVAN.
10	F01220092	SELF LOCKING NUT M20X2,5 980V	48	F02200259	SPLIT PIN 8X45 1336
11	F01020566	BOLT M16X2X40	49	F02200195	SPLIT PIN 4 X25 1336 GALVAN.
12	F01220266	NUT M16X 2 D980 8 ZG	50	F02200260	SPLIT PIN 8 X60 1336 GALVAN.
13	G12217810	PROP TUBE	51	F01020176	BOLT M 12X130
14	G12217650	FRONT PROP	52	G21120301	CONE DISCONNECT FB940
15	G12217800	HINGE BEARING ARM	53	F02400013	SPRING G 38X75 SPECIAL SPRINGS
16	G21030010	ARM ARTICULATION	54	G22310047	REAR ARM BUSHING DP
17	G21120212	JOINT ELEMENT FB/S	55	F01230058	SELF LOCKING NUT M12X1,25
18	G21120319	HINGE ARM SPRING FB940	56	F01020476	BOLT M 10X30
19	G12236470	DRIVEN AXLE PULLY PROTECTION	57	F01220033	NUT M10X 1,5 D980 8 ZB
20	G21120215	INNERPROTECTION CASE FB/S	58	F01020512	SCREW M 12X35
21	G21120216	OUTERPROTECTION CASE FB/S	59	F01020072	BOLT M 8X1,25X50 U5737 8.8 ZG
22	G21120217	INSPECTION OPENING COVER-GUARD	60	G20970140	WASHER 20X2X8,5
23	G12216400	TIE ROD	61	F01230034	SELF LOCKING NUT M8X1,25
24	F01200306	NUT M14X2	62	F01430059	WASHER D8 DIN 6798 D.INT.ZN
25	F06220011	6-LOBE HANDWHEEL M14	63	F01200244	NUT M8
26	F20120400	SHAFT HOOK	64	F01020510	BOLT M 12X30
27	G21030007	TRACTOR COUPLING PLATE	65	F01430071	WASHER D12 DIN 6798 D.INT.ZN
28	G21030035	CHAIN L.900	66	G20970035	WASHER 32X4X13
29	G21030034	FRAME COUPLING	67	F01020403	BOLT M 6X16
30	G21120308	SAFETY HOOK COUPLING FB940	68	F01410037	PLANE WASHER D.6
31	G12217710	SAFETY CHAIN HOOK	69	F02250680	THREADED INSERT M6X13 ZN
32	G12217680	SLIDING ROD	70	F01020092	BOLT 8 X110 5737 8.G GALVANIZ.
33	G12217761	SNAP TIE ROD GUIDE	71	G12217691	TRIP TIE-ROD
34	G12217950	FORK FOR TRIP TIE-ROD	72	G21120211	CUTTER BAR TIE ROD FB/S
35	G66248064	HINGE ARM BUSHING FB.	73	F01410124	PLANE WASHER D20 UNI 6592 ZN
36	F20100504	U BOLT PIN D.16X45	74	G12217970	NARROW ROADWAY ARM
37	G21030027	RUBBER BLOCKS	75	G12217980	ARM SPACER
38	G20970067	WASHER 54X5X32	76	F01020317	BOLT M20X2,5X150

SPARE PARTS

TAV. 951/21



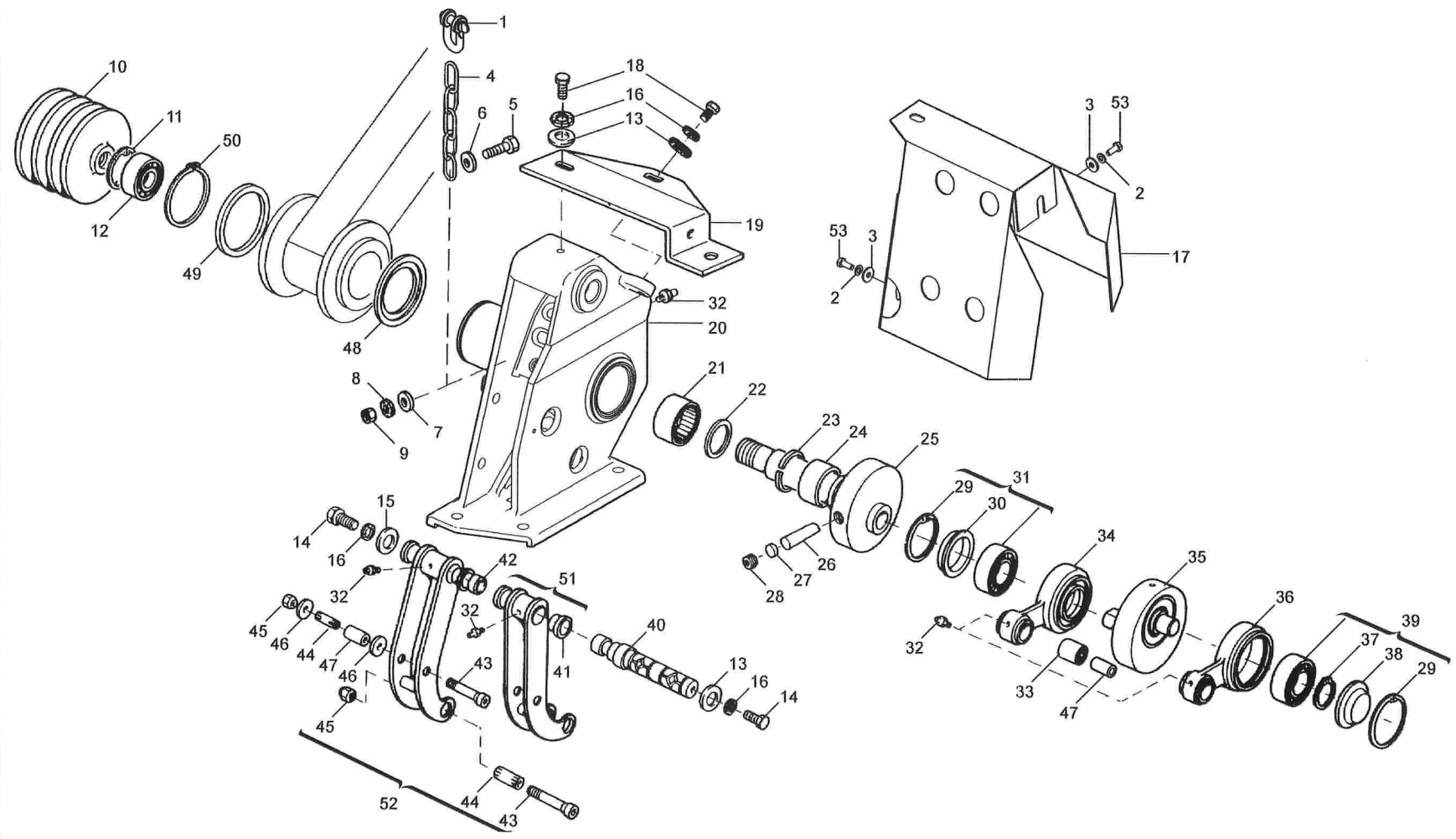
TRANSMISSION

TAV. 951/21

Pos.	Cod.	Description	Pos.	Cod.	Description
1	G21120117	3 GROOVE DRIVING PULLEY			
2	G20970129	WASHER 48X3X30-5			
3	G21030015	PTO SUPPORT			
4	F01200306	NUT M14X2			
5	G21120318	BELT REGISTER ASSY. FB940			
6	G21120013	INTERM. TRANSM. SUPP. PIN			
7	F02200227	SPLIT PIN 5 X30 1336 GALVAN.			
8	F05150403	POWER TAKE-OFF PROTECTION HOUS			
9	F01430059	WASHER D8 DIN 6798 D.INT.ZN			
10	F01020432	BOLT M 8X16			
11	F04010174	BEARING 6206 2RS			
12	G21030020	SPACER			
13	G21120152	POWER TAKE-OFF FB			
14	F02050392	SEEGER RING E. 62X 2 U7437 C70			
15	F08011755	UNIVERSAL JOINT B3 1000 AM			
16	F01200244	NUT M8			
17	F01060043	BOLT 8 X35 5732 4.6 GALVANIZED			
18	F01020440	BOLT M8 X25 5739 8.8 ZN			
19	G20970140	WASHER 20X2X8,5			
20	G21120226	BELT TIGHTENER ROLLERS SUPPORT			
21	F02050056	SEEGER RING E. 17X 1 U7435 C70			
22	F04010161	BEARING 6203			
23	G21120119	3 GROOVE P.TIGHTEN. PIN			
24	G66248107	BELT TIGHTENER L.70 FB			
25	G21120121	TIGHTENER ROLLER 3G. CP			
26	F06010240	BELT- B 93			
27	F01410088	WAS.M14 15X 28X2,5 U6592 ZB			
28	G66248227	POWER TAKE-OFF PROTECTION HOUS			
29	F08011124	SAFETY GUARDAM			

SPARE PARTS

TAV. 951/31

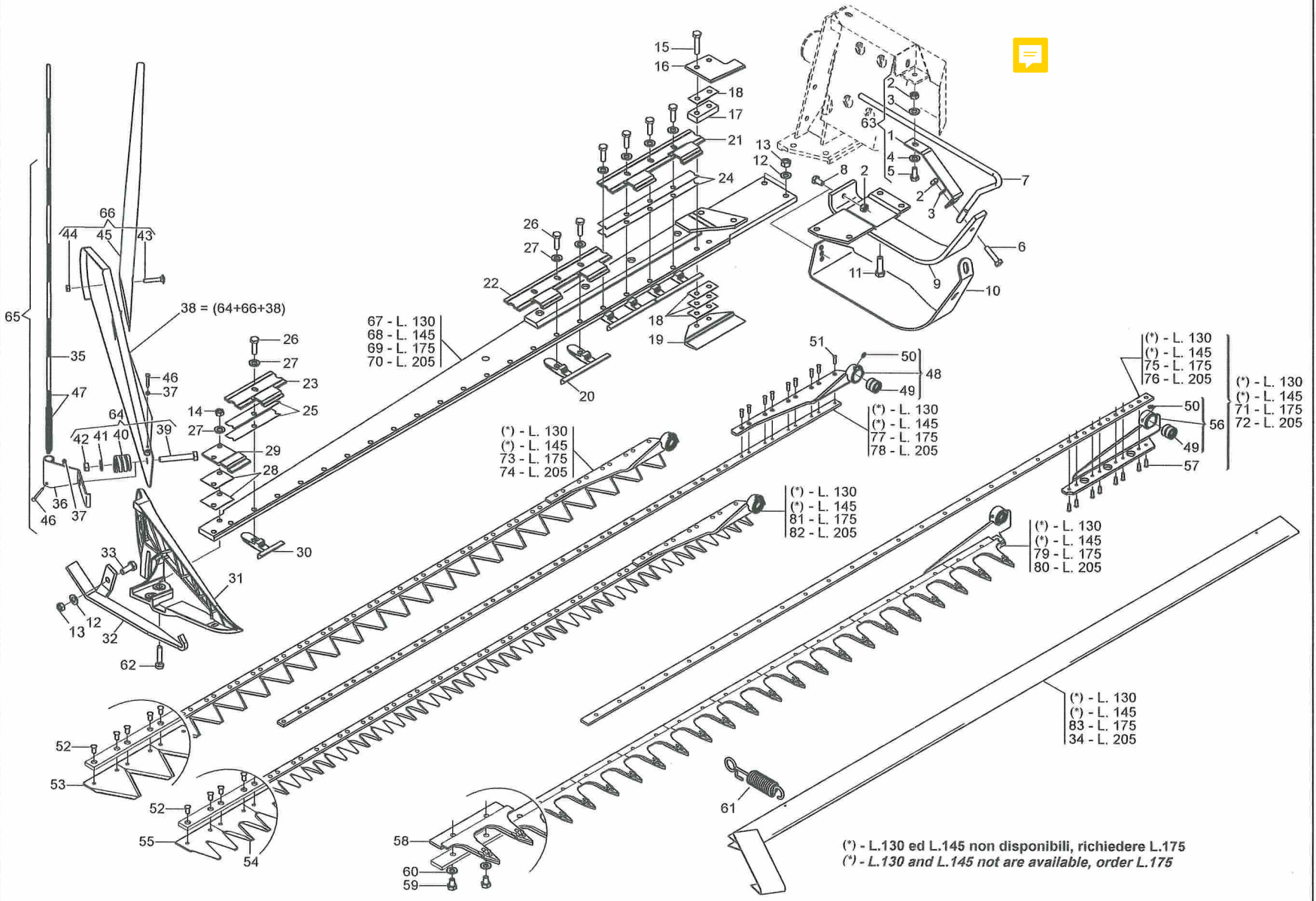


HINGE

TAV. 951/31

Pos.	Cod.	Description	Pos.	Cod.	Description
1	F02250667	CLEVIS- 3/8- GALVANISED-ART.	39	G21120154	KIT- EXT. CONN. ROD BEARING FB
2	F01430047	WASHER D6 DIN 6798 D.INT.GALV.	40	G21120224	HINGE BLADE SHAFT -ASSY.
3	F01420036	FLAT WASHER 6-6X 18X2 6593 ZN	41	G21120067	BRONZE BUSHING
4	G12210460	ARM SIDE CHAIN L.600	42	G21120225	BLADES SPACER FB/S
5	F01020514	BOLT M12X1,75X40	43	G21120071	PIN FASTENING BOLT
6	G20970007	WASHER 35X8X13	44	G21120069	EXPANSION PIN FB
7	G20970035	WASHER 32X4X13	45	G21120068	CONICAL NUT
8	F01430071	WASHER D12 DIN 6798 D.INT.ZN	46	G20970519	BOTTOMED WASHER 39X20-25X5X1
9	F01200293	NUT M12	47	G21120137	INTERNAL RING FB
10	G21120118	3-GROOVE DRIVEN PULLEY	48	G21120018	ANTERIOR WASHER
11	F02050392	SEEGER RING E. 62X 2 U7437 C70	49	G20970023	WASHER 102X2X75-2
12	F04010171	BEARING 6206 Z	50	F02050642	STOP RING 75 UNI 7435-75
13	F01420060	WASHER 10,5X30	51	G21120070	BLADE W/ BUSHINGS
14	F01020479	BOLT M 10X35	52	G21120156	KIT- BLADE FASTENING PIN FB
15	G18701140	WASHER 11 X 35 X 5	53	F01020403	BOLT M 6X16
16	F01430023	WASHER D10 DIN 6798 D.INT.ZN			
17	G12236490	CONNECTING-ROD SYSTEM GUARD			
18	F01020472	BOLT 10X25 5739 8.G GALVANIZED			
19	G21120221	BLADE SHAFT SUPPORT FB/S			
20	G12236500	HINGE			
21	F04010363	BEARING DHK 5025			
22	F03011069	SEALING RING DH 50X58X4			
23	F04010409	SHOULDER RING WR 45			
24	F04100131	INTERNAL IR. RING 45X50X35			
25	G21120223	HINGE SPINDLE FB/S			
26	G21120126	CONIC PIN FB			
27	G21120136	PIN SPACER FB			
28	G21120127	PIN GRUB-SCREW FB			
29	F02050403	SEEGER RING E.72X2,5 U7437 C70			
30	G66248111	DUST COVER HINGE FB			
31	G21120153	KIT- INT. CONN. ROD BEARING FB			
32	F01100011	SPHERE NIPPLE M6X1/A			
33	F04010362	BEARING DHK 2538			
34	G21120128	PIN HINGE CONNECTING ROD FB			
35	G21170020	HINGE ECCENTRIC			
36	G21170021	OUTER CONNECTING ROD			
37	F02050112	SEEGER RING 30X 1,5 U7435 C70			
38	G21120028	PROTECTION PLUG			

TAV. 951/55



SPARE PARTS

(*) - L.130 ed L.145 non disponibili, richiedere L.175
 (*) - L.130 and L.145 not available, order L.175

ALL U.S. MODELS

cod. G19502182

GASPARDO

59

CUTTING BLADE (REPLACEABLE TOOTH)

TAV. 951/55

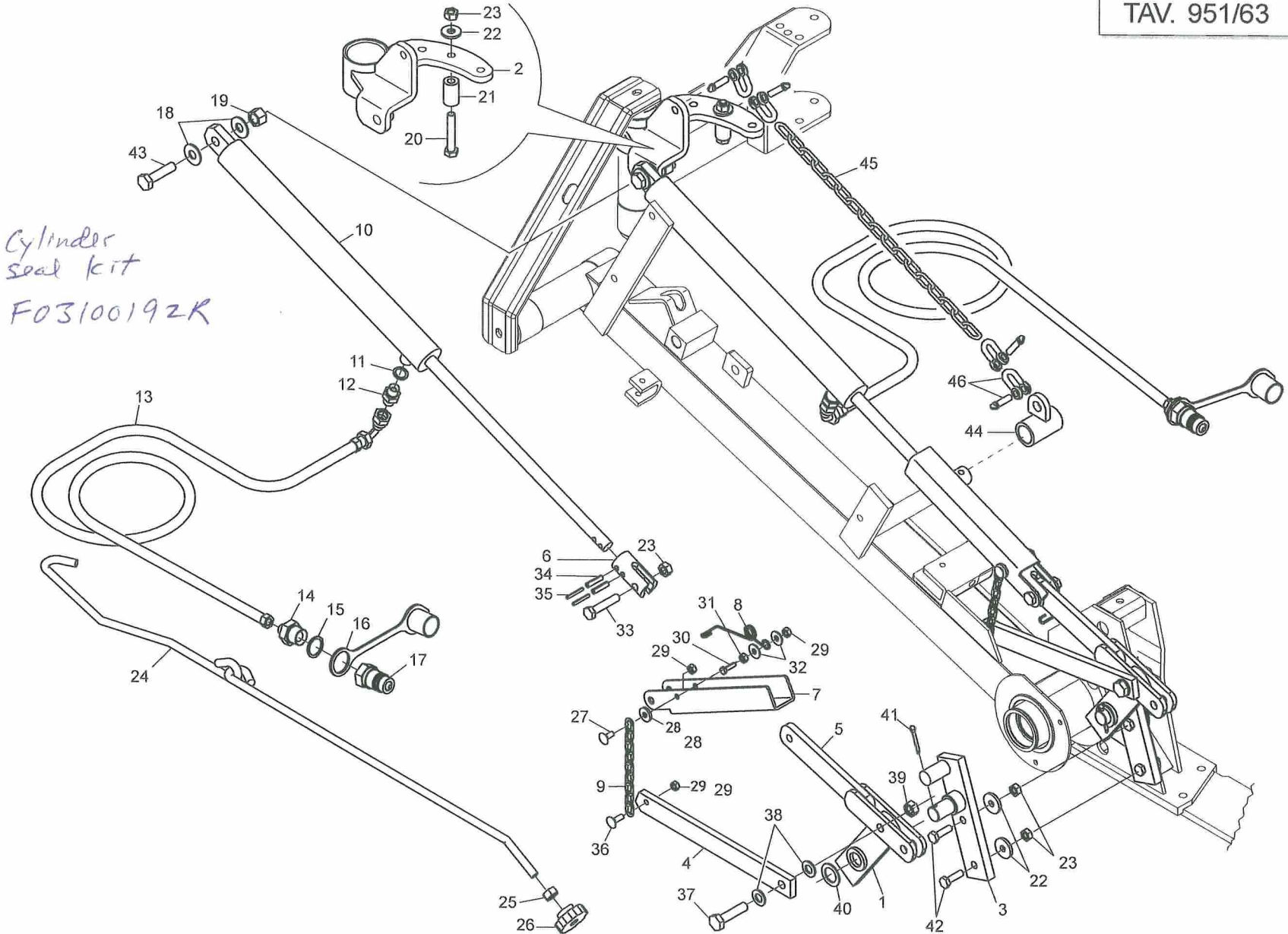
Pos.	Cod.	Description	Pos.	Cod.	Description
1	G21120321	INNER SLIDE SPACER FB940	43	F01060045	BOLT 8X40 5732 4.6 GALVANIZED
2	F01200270	NUT M10	44	F01230034	SELF LOCKING NUT M8X1,25
3	F01430023	WASHER D10 DIN 6798 D.INT.ZN	45	G20800061	SWATHBOARD ROD ASSY.
4	F01410064	WASHER 10,5X21	46	F01020011	SCREW 4X35 5737 8.G ZN
5	F01020472	BOLT 10X25 5739 8.G GALVANIZED	47	G13011660	INDICATIN BAR
6	F01060077	BOLT 10X45 5732 4.8 GALVANIZED	48	G13013190	COMPL. BLADE HEAD SECTIONS
7	G21120322	HINGE PROTECTION FB940	49	G21120048	BUSHING- BLADE HEAD 28X20X24
8	F01020472	BOLT 10X25 5739 8.G GALVANIZED	50	F01100011	SPHERE NIPPLE M6X1/A
9	G21120323	INTERNAL RUNNER FB940	51	F02250520	PACK BLAD.MOUNT.TSC 6 X19-8 KG
10	G21120324	RUNNER WIDE INT. SLIDE FB940	52	F02250519	PACK BLAD.MOUNT.TSC 6 X13-8
11	F01020154	BOL. M12X1,75X 45 5737 8.8 ZB	53	G21120243	CUT SECTION FB/S
12	F01430071	WASHER D12 DIN 6798 D.INT.ZN	54	G13013550	LOWER DOUBLE POINT SECTION
13	F01200293	NUT M12	55	G13013540	UPPER DOUBLE POINT SECTION
14	F01220033	NUT M10X 1,5 D980 8 ZB	56	G13013230	COMPL. BLADE HEAD w/ REMV. TEE
15	F01020114	BOLT 10X50 5737 8.G GALVANIZED	57	F02250520	PACK BLAD.MOUNT.TSC 6 X19-8 KG
16	G21120312	UPPER INNER BLADE GUIDE FB940	58	G13013830	SPECIAL REMOVABLE TEETH
17	G13011600	INT. BLADE GUIDE SUPPORT	59	F01010222	SCREW 8X1X12 5740 10.9
18	G21120044	SHIMS- LOWER INT. GUIDE	60	F01460138	CONTACT ELAST. WASHER D8
19	G21120045	INNER LOWER BLADE GUIDE	61	G65337002	TRACTION SPRING GUARD FS
20	G13013151	LOWER DOUBLE BLADE GUIDE	62	F01030501	SCREW TSQST 10X45 8.8
21	G19203311	UPPER BLADE INT. GUIDE REMOVAB	63	G13013120	COMPLETE SPACER
22	G19203301	UPPER BLADE GUIDE REMOVABLE TI	64	G21120133	SWATHBOARD BOLT ASSY. FB
23	G13011501	UPPER BLADE GUIDE EXT. REMOVAB	65	G21120134	SWATHBOARD -ASSY. FB
24	G13011510	SHIM FOR UPPER BLADE GUIDE	66	G20800061	SWATHBOARD ROD ASSY.
25	G13011520	UPPER EXT. BLADE GUIDE SHIM	67	G13013390	REMV. TOOTH-HOLDING BAR 1.30
26	F01020480	SCREW 10X35 5739 8.G	68	G13013410	REMV. TOOTH-HOLDING BAR 1.45
27	F01410064	WASHER 10,5X21	69	G13013431	REMV. TOOTH-HOLDING BAR 1.75
28	G21120040	SHIMS MM.1 UPPER EXT. GUIDE	70	G13013471	REMV. TOOTH-HOLDING BAR 2.05
29	G21120039	UPPER OUT. BLADE GUIDE	71	G13013340	BLADE HEAD-TOOTH-HOLDING BAR 1
30	G13013511	LOWER SINGLE BLADE GUIDE	72	G13013350	BLADE HEAD-TOOTH-HOLDING BAR 2
31	G19200903	OUTER BAR SUPPORT FBR	73	G13013580	COMPL. SECTION-HOLDING BAR 1.7
32	G21120038	EXT. RUNNER SLIDE	74	G13013590	COMPL. SECTION-HOLDING BAR 2.0
33	F01020512	SCREW 12X35	75	G13013300	REMV. TOOTH-HOLDING BAR 1.75
34	G21120112	COMPLETE PROTECTION MT 2,05	76	G13013310	REMV. TOOTH-HOLDING BAR 2.05
35	G13011640	INDICATION BAR	77	G21120246	ROD SECTIONS MT. 1.75 FB/S
36	G13011650	INDICATION BAR SUPPORT	78	G21120247	ROD SECTIONS MT. 2.05 FB/S
37	F01230016	NORM.SELF-LOCKING NUT 4 GALVAN	79	G13013771	COMPL. REMV.-TOOTHED BLADE FBR
38	G21120134	SWATHBOARD -ASSY. FB	80	G13013781	COMPL. REMV.-TOOTHED BLADE FBR
39	F01060105	BOLT 12X80 5732 4.6 GALVANIZED	81	G13013670	DOUBLE-TIP SECTION BLADE R.T 1
40	G65338001	ZN SWATHBOARD COMP. SPRING . F	82	G13013680	DOUBLE SECTION BLADE GUIDE P.D
41	F01410076	PLANE WASHER D12 UNI 6592 ZN	83	G21120054	GUARD - PROTECTION MT.1-75
42	F01230058	SELF LOCKING NUT M12X1,25			

SPARE PARTS

ALL U.S. MODELS

TAV. 951/63

SPARE PARTS



Cylinder
seal kit
F03100192K

60

GASPARRO

cod. G19502182

HYDRAULIC LIFTING SYSTEM

TAV. 951/63

Pos.	Cod.	Description	Pos.	Cod.	Description
1	G12217880	LIFTING ROD	39	F01230072	SELF LOCKING NUT M14X1,5
2	G12218070	CYLINDER LINKAGE DEVICE	40	G20970070	WASHER 40X2X26
3	G12217860	LIFTING PLATE	41	F02200228	SPLIT PIN 5 X35 1336 GALVAN.
4	G12217910	LIFTING ARTICULATION BAR	42	F01020152	BOLT M12X1,75X 40 5737 8.8 ZB
5	G12217900	FORK LEVER CONNECTION	43	F01020260	BOLT M16X2X70 U5737 8.8 ZG
6	G12216820	CYLINDER COUPLING	44	G12218030	TIE-ROD BUSH
7	G12217920	LIFTING BAR EDGE	45	G12210460	ARM SIDE CHAIN L.600
8	G18903780	UPPER HOOK TORSION SPRING	46	F02250667	CLEVIS- 3/8- GALVANISED-ART.
9	G12217930	CHAIN D.5 L.194			
10	G14911000	CYLINDER D.40-D.20-380			
11	F03151238	1/4 COPPER WASHER			
12	G16011690	UPRIGHT 1/4" NIPPLE WITH GRUB			
13	G23440517	PIPE 1/4R2 C-F 1/4 L2000 HL/ID			
14	F03150211	NIPLE 1/4-1/2			
15	F03151237	1/2 COPPER WASHER			
16	F05150325	COVER 1/2			
17	F03150935	QUICK CONNECT MALE CONE 1/2 CO			
18	G20970111	WASHER 29,8X2X16,5			
19	F01230084	SELF LOCKING NUT M16X1,5			
20	F01020166	BOLT 12X80 5737 8.G GALVANIZED			
21	G18802150	BOSHING 12,3X25X42			
22	G20970085	WASHER 40X4X13			
23	F01230058	SELF LOCKING NUT M12X1,25			
24	G12217450	BLADE TIE ROD ZN			
25	F01200306	NUT M14X2			
26	F06220011	6-LOBE HANDWHEEL M14			
27	F01060040	BOLT 8 X20 5732 4.6 GALVANIZED			
28	G20970104	WASHER 21X4X8-5			
29	F01220022	SELF LOCKING NUT M8X1,25 980V			
30	F01020441	SCREW 8 X25 5739 8.G			
31	F01200244	NUT M8			
32	F01420048	PLANE WASHER D.8			
33	F01020162	BOLT M12X1,75X65 U5737 8.8 ZG			
34	F02100141	PIN EL. 8 X36 DIN 1481			
35	F02100089	PIN EL. 5 X36 DIN 1481			
36	F01060041	BOLT 8 X25 5732 4.6 GALVANIZED			
37	F01020207	BOLT M 14X70			
38	F01410088	WAS.M14 15X 28X2,5 U6592 ZB			

WARRANTY

WARRANTY

MASCHIO GASPARDO warrants this product to be free from defect in material and workmanship. Except as otherwise set forth below, the duration of this Warranty shall be for TWELVE (12) MONTHS COMMENCING ON THE DATE OF DELIVERY OF THE PRODUCT TO THE ORIGINAL PURCHASER.

Under no circumstances will this Warranty apply in the event that the product, in the good faith opinion of MASCHIO GASPARDO, has been subjected to improper operation, improper maintenance, misuse, or an accident. This Warranty does not apply in the event that the product has been materially modified or repaired by someone other than MASCHIO GASPARDO, a MASCHIO GASPARDO authorized dealer or distributor, and/or a MASCHIO GASPARDO authorized service center. This Warranty does not cover normal wear or tear, or normal maintenance items. This Warranty also does not cover repairs made with parts other than those obtainable through MASCHIO GASPARDO.

This Warranty is extended solely to the original purchaser of the product. Should the original purchaser sell or otherwise transfer this product to a third party, this Warranty does not transfer to the third party purchaser in any way. There are no third party beneficiaries of this Warranty.

MASCHIO GASPARDO makes no warranty, express or implied, with respect to engines, batteries, tires or other parts or accessories not manufactured by FRONTIER. Warranties for these items, if any, are provided separately by their respective manufacturers.

MASCHIO GASPARDO' obligation under this Warranty is limited to, at MASCHIO GASPARDO' option, the repair or replacement, free of charge, of the product if MASCHIO GASPARDO, in its sole discretion, deems it to be defective or in noncompliance with this Warranty. **The product must be returned to MASCHIO GASPARDO S.p.A. with proof of purchase within thirty (30) days after such defect or noncompliance is discovered or should have been discovered, routed through the dealer and distributor from whom the purchase was made, transportation charges prepaid.** MASCHIO GASPARDO shall complete such repair or replacement within a reasonable time after MASCHIO GASPARDO receives the product.

THERE ARE NO OTHER REMEDIES UNDER THIS WARRANTY. THE REMEDY OF REPAIR OR REPLACEMENT IS THE SOLE AND EXCLUSIVE REMEDY UNDER THIS WARRANTY.

THERE ARE NO WARRANTIES WHICH EXTEND BEYOND THE DESCRIPTION ON THE FACE OF THIS WARRANTY. MASCHIO GASPARDO MAKES NO OTHER WARRANTY, EXPRESS OR IMPLIED, AND MASCHIO GASPARDO SPECIFICALLY DISCLAIMS ANY IMPLIED WARRANTY OF MERCHANTABILITY AND/OR ANY IMPLIED WARRANTY OF FITNESS FOR A PARTICULAR PURPOSE.

MASCHIO GASPARDO shall not be liable for any incidental or consequential losses, damages or expenses, arising directly or indirectly from the product, whether such claim is based upon breach of contract, breach of warranty, negligence, strict liability in tort or any other legal theory. Without limiting the generality of the foregoing, MASCHIO GASPARDO specifically disclaims any damages relating to (i) lost profits, business, revenues or goodwill; (ii) loss of crops; (iii) loss because of delay in harvesting; (iv) any expense or loss incurred for labor, supplies, substitute machinery or rental; or (v) any other type of damage to property or economic loss.

This Warranty is subject to any existing conditions of supply which may directly affect MASCHIO GASPARDO' ability to obtain materials or manufacture replacement parts.

No agent, representative, dealer, distributor, serviceperson, salesperson, or employee of any company, including without limitation, MASCHIO GASPARDO, its authorized dealers, distributors, and service centers, is authorized to alter, modify, or enlarge this Warranty.

This Warranty is effective only if the warranty registration is returned within ten (10) days.

For warranty services contact your selling dealer.

WARRANTY

WARRANTY FOR REPLACEMENT PARTS

MASCHIO GASPARDO warrants this product to be free from defect in material and workmanship for a period of ninety (90) days from the date of delivery of the product to the original purchaser.

Under no circumstances will this Warranty apply in the event that the product, in the good faith opinion of MASCHIO GASPARDO, has been subjected to improper operation, improper maintenance, misuse, or an accident. This Warranty does not cover normal wear or tear, or normal maintenance items.

This Warranty is extended solely to the original purchaser of the product. Should the original purchaser sell or otherwise transfer this product to a third party, this Warranty does not transfer to the third party purchaser in any way. There are no third party beneficiaries of this Warranty.

MASCHIO GASPARDO' obligation under this Warranty is limited to, at MASCHIO GASPARDO' option, the repair or replacement, free of charge, of the product if MASCHIO GASPARDO, in its sole discretion, deems it to be defective or in noncompliance with this Warranty. **The product must be returned to MASCHIO GASPARDO with proof of purchase within thirty (30) days after such defect or noncompliance is discovered or should have been discovered, routed through the dealer and distributor from whom the purchase was made, transportation charges prepaid.** MASCHIO GASPARDO shall complete such repair or replacement within a reasonable time after MASCHIO GASPARDO receives the product. **THERE ARE NO OTHER REMEDIES UNDER THIS WARRANTY THE REMEDY OF REPAIR OR REPLACEMENT IS THE SOLE AND EXCLUSIVE REMEDY UNDER THIS WARRANTY.**

THERE ARE NO WARRANTIES WHICH EXTEND BEYOND THE DESCRIPTION ON THE FACE OF THIS WARRANTY. MASCHIO GASPARDO MAKES NO OTHER WARRANTY, EXPRESS OR IMPLIED, AND MASCHIO GASPARDO SPECIFICALLY DISCLAIMS ANY IMPLIED WARRANTY OF MERCHANTABILITY AND/OR ANY IMPLIED WARRANTY OF FITNESS FOR A PARTICULAR PURPOSE.

MASCHIO GASPARDO shall not be liable for any incidental or consequential losses, damages or expenses, arising directly or indirectly from the product, whether such claim is based upon breach of contract, breach of warranty, negligence, strict liability in tort or any other legal theory. Without limiting the generality of the foregoing, MASCHIO GASPARDO specifically disclaims any damages relating to (i) lost profits, business, revenues or goodwill; (ii) loss of crops; (iii) loss because of delay in harvesting; (iv) any expense or loss incurred for labor, supplies, substitute machinery or rental; or (v) any other type of damage to property or economic loss.

This Warranty is subject to any existing conditions of supply which may directly affect MASCHIO GASPARDO' ability to obtain materials or manufacture replacement parts.

No agent, representative, dealer, distributor, service person, salesperson, or employee of any company, including without limitation, MASCHIO GASPARDO, its authorized dealers, distributors, and service centers, is authorized to alter, modify, or enlarge this Warranty.

For warranty services contact your selling dealer.