



FIELDKING
World Class Farm Equipment



ROTARY TILLER

**Operator Manual
Service Manual
Part Catalogue**



BERI UDYOG PVT LTD

Corporate Office:

Plot No. 235 to 240, Sec-3, HSIIDC, Karnal- 132001 (Haryana), India

+91 184 2221571/ 72/ 73 ✉ info@fieldking.com, www.fieldking.com

CONGRATULATIONS!

You have invested in one of the best implements of its type in the market today.

The care you give your "FIELDKING" implement will greatly determine your satisfaction with its performance and its service life. A careful study of this manual will give you a thorough understanding of your new implement before operating.

If your manual should be lost or destroyed, "FIELDKING" will be glad to provide you with a new copy. Order at Beri Udyog (P) Ltd, 235-240, Sec-3, HSIIDC, Karnal-132001. Most of our manuals can also be downloaded from our website at www.fieldking.com.

As an authorized "FIELDKING" dealer, we stock genuine "FIELDKING" parts which are manufactured with the same precision and skill as our original equipment. Our trained service persons are well informed on methods required to service "FIELDKING" equipment and are ready and able to help you.

Should you require additional information or assistance, please contact us.

YOUR AUTHORIZED

FIELDKING DEALER

BECAUSE "FIELDKING" MAINTAINS AN ONGOING PROGRAMME OF PRODUCT IMPROVEMENT, WE RESERVE THE RIGHT TO MAKE IMPROVEMENTS IN DESIGN OR CHANGE IN SPECIFICATION WITHOUT INCURRING ANY OBLIGATION TO INSTALL THEM ON UNITS PREVIOUSLY SOLD. BECAUSE OF THE POSSIBILITY THAT SOME PHOTOGRAPHS IN THIS MANUAL WERE TAKEN OF PROTOTYPE MODELS, PRODUCTION MODELS MAY VARY IN SOME DETAIL. IN ADDITION, SOME PHOTOGRAPHS MAY SHOW SHIELDS REMOVED FOR THE PURPOSE OF CLARITY. NEVER OPERATE THIS IMPLEMENT WITHOUT ALL SHIELDS IN PLACE.

TO THE PURCHASER

This manual contains valuable information about your new "FIELDKING" rotary tiller. It has been carefully prepared to give you helpful suggestions for operating, adjusting, servicing and ordering spare parts.

Keep this manual in a convenient place for quick and easy reference. Study it carefully. You have purchased a dependable and sturdy rotary tiller but only by proper care and operation can you expect to receive the service and long life designed and built into it.

Sometime in the future your rotary tiller may need new parts to replace those that are worn or broken. If so, go to your dealer and provide him with the model and part number.

CUSTOMER INFORMATION

Name _____

Purchased From _____

Date of Purchase _____

Model No. _____

Serial No. _____

PURCHASER AND/OR OPERATOR'S RESPONSIBILITY

1. Read and understand the information contained in this manual.
2. Operate, lubricate, assemble and maintain the equipment in accordance with all instructions and safety procedures in this manual.
3. Inspect the equipment and replace or repair any parts that are damaged or worn which under continued operation would cause damage, wear to other parts, or cause a safety hazard.
4. Return the equipment or parts to the authorized "FIELDKING" dealer, from where it was purchased, for service or replacement of defective parts that are covered by warranty. (The "FIELDKING" Factory may inspect equipment or parts before warranty claims are honored.)
5. All costs incurred by the dealer for traveling to or transporting the equipment for warranty inspection and claims will be borne by the customer.

INDEX

1. Introduction
2. Warning signal
3. Danger signal
4. Indicator Signal
5. Identification

1. SAFETY AND ACCIDENT PREVENTIONS

2. INSTRUCTIONS FOR OPERATOR

1. Machines supplied partly broken-down
2. Before use
3. Hitching to the tractor
4. Cardan Shaft
5. Working Depth
6. Chain Tensioner
7. Hoe Blades
8. In working
9. How it Works
10. Troubleshooting hints for the tractor operator
11. Parking

3. MAINTENANCE

1. Every 8 work hours
2. Every 50 work hours
3. Every 200 work hours
4. Storage
5. Lubrication

4. SERVICING TIPS

Parts Catalogue

NOTE:

BERI UDYOG PVT. LTD reserves the right to modify machinery design and specifications provided herein without any preliminary notice. Information provided herein is of descriptive nature. Performance quality may depend on soil quality.

1.1 INTRODUCTION

This handbook contains operating and maintenance instructions plus a list of the parts supplied as spares for the rotary tiller.

Rotary tiller can only operate by means of a **cardan shaft** engaged to the PTO of an agricultural tractor equipped with lift and universal three point hitch.

Besides working the soil in open areas, the particular and specific design of this implement makes it ideal for working between the rows of orchards and vineyards etc. Regular and satisfactory operations together with economic and long lasting use of the implement depend on the compliance with the instructions given in this handbook. It is therefore advisable to strictly comply with the following instructions in order to prevent faults that could jeopardize the correct and long lasting operation of the implement.

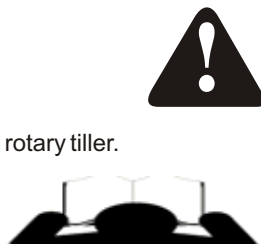
Compliance with the instructions in this handbook is also important though **manufacturer declines all and every responsibility for damage to persons or property caused by negligence and failure to comply with these instructions.**

The manufacturer shall, however, remain at the customer's disposal for immediate and thorough assistance together with anything else that may be required in order to ensure the correct operation and maximum efficiency of the implement.

WARNING SIGNAL

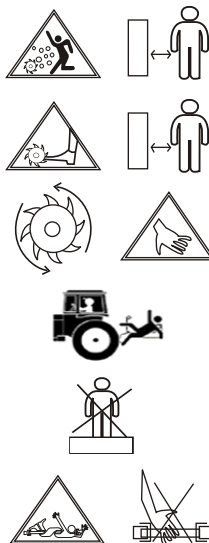
REMEMBER SAFETY FIRST

Operator must read the instruction manual before operating the rotary tiller. Do not allow anyone to operate this equipment who has not fully read and comprehended this manual and who has not been properly trained in the safe operation of the equipment.



DANGER SIGNAL

1. Sharp objects could be thrown up keep a safe distance from the rotary tiller.
2. Risk of injury to leg
3. Keep away from the moving parts. Never remove guards while working.
4. Your implement is not designed to carry passengers - NO RIDER
5. Never allow anyone to stand between the tractor and implement while an operator is backing up to the implement.
6. Keep away from the cardan shaft. Keep away from the moving parts.



Personal Protective Equipment:



1. Do not wear loose fitting clothing, dangling jewellery. Long hair should be tied back to avoid entangling.
 2. Wear appropriate footwear. Soft cloth shoes or sandals are not safe around any type of equipment.
 3. Wear hearing protection such as earplugs or other devices that will minimize sounds. But will not interfere with your ability to hear traffic or other noises that may alert you to potential hazards.
3. Do not operate any machinery while talking on a cell phone or other portable devices such as MP3 players, as these are considered distractions- operating any farm equipment requires the operator's full attention.

Equipment Safety Guidelines:



1. View safety instructions for both the tractor and this tiller.
2. Never exceed the advised limits of the tractor or the tiller.
3. This equipment is dangerous to children and those unfamiliar with its operation. DO NOT ALLOW children to operate or play around equipment.
4. Operator should be an adult who is familiar with operating the tractor and the tiller.

Operator should be physically and mentally fit before operating machinery. Fatigue, stress, alcohol and drugs may impair the ability for safe farm machinery operation.

INDICATOR SIGNALS

1. Coupling point for lifting (Indicating the maximum capacity)
2. Oil fill plug.
3. Oil drain Plug.
4. Oil Level Plug.
5. Greasing point.
6. Identification Plate.

IDENTIFICATION

Each individual rotary tiller has an identification plate indicating the following details, which should be copied into the handbook along with the date of purchase:

1. Machine type.
2. Machine model.
3. Serial number.
4. Year of manufacture.

SAFETY AND ACCIDENT PREVENTION

Pay great attention to the danger signal indicated in this handbook. There are three types of danger signals:

Danger: This signal warns for serious injuries, death or long-term health risks would be caused by failure to correctly carry out the described operations.

Warning: This signal warns for serious injuries, death or long-term health risks could be caused by failure to correctly carry out the described operations.

Caution: This signal warns for damage to the machine could be caused by failure to carry out the described operations.

Thoroughly read all the instructions before using the rotary tiller. Contact the technicians of your authorized dealer in case of doubt. The manufacturer declines all and every responsibility for injury/accidents in event of non-compliance of following safety and accident preventing provisions.

- 1) Comply with the instructions given by the danger symbols in this handbook and affixed to the steering hoe itself.
- 2) Never ever touch any moving part.
- 3) Minor maintenance and adjustments to the rotary tiller must always be carried out when the engine is off and the tractor braked.
- 4) It is absolutely forbidden to carry passengers or any animals on the rotary tiller.
- 5) It is absolutely forbidden for a person without a driving license, untrained person or those in precarious health conditions to drive the tractor with the rotary tiller mounted.
- 6) Strictly comply with all the recommended accident preventing measures described in this handbook.
- 7) Assembly of a rotary tiller on the tractor will shift the weights on the axles. It is therefore advisable to add weights to the front part of the tractor in order to balance the weights on the axles themselves.
- 8) The coupled implement may only be controlled through the cardan shaft complete with the necessary safety devices for overloads and with the appropriate chains. Keep away from the cardan shaft while it is turning.
- 9) Before starting the tractor and implement, always check that all safety devices guarding transport and use are in perfect conditions.
- 10) The instruction labels affixed to the machine give useful advice on how to prevent accidents.
- 11) Always comply with the Highway Code in force in your country, when travelling on public roads.
- 12) Comply with the maximum permissible weight on the axle of the tractor, the total adjustable weight, transport regulations and the highway code.
- 13) Always become familiar with the controls and their operation before starting to work.
- 14) Avoid sharp turns as this may cause implement to ride up on the tractor's wheels and might result in serious injury and damage to your equipment.
- 15) As indicated, couple the implement to a tractor of adequate power and configuration, using a device (lift) conforming to the precautions.
- 16) Take the utmost care during the implement coupling and release phases.
- 17) Any accessories for transport must be equipped with adequate signals and guards.
- 18) Never leave the driving seat while the tractor is moving.
- 19) It is very important to remember that the road holding, steering and braking capacity may be notably influenced by the presence of towed or mounted implement.
- 20) Always take care of the centrifugal force exercised by the position of the center of gravity, when turning corners with the implement mounted.
- 21) Before engaging the PTO, check that the rpm rate is the same as prescribed. Never exchange the 540-rpm rate for 1000-rpm or vice versa.
- 22) It is absolutely forbidden to stand within the operative range of the machine where there are moving parts.
- 23) Before leaving the tractor, lower the implement coupled to the lift unit, stop the engine, engage the hand brake and remove the ignition key from the control panel.

- 24) It is strictly forbidden to stand between the tractor and the implement when the engine is running and the cardan shaft is engaging without having first engaged the hand brake and placing a block or stone under the wheels to prevent them from moving.
- 25) Always set the lift control lever to the locked position before coupling or releasing the equipment from the three-point coupling.
- 26) The category of the implement coupling pins should correspond to that of lift coupling.
- 27) Take care when working near the lift links. This is a very dangerous zone.
- 28) It is absolutely forbidden to stand between the tractor and the implement when handling the lift control from outside.
- 29) Fix the side lift links with the relative chains and idlers during the transport phase.
- 30) Set the control lever of the hydraulic lift to the locked position during road transport with the implement raised.
- 31) Only use the cardan shaft recommended by the manufacturer.
- 32) Check the cardan shaft guard frequently and periodically. It must always be in an proper condition.
- 33) Take great care of the cardan shaft guard, both in the transport and working positions.
- 34) The cardan shaft must only be installed or dismantled whilst the engine is off.
- 35) Take great care to ensure that the cardan shaft is correctly assembled and safe, and carefully check the P.T.O. of the rotary tiller and of the tractor.
- 36) Lock the rotation of the protection devices and read the respective cardan shaft Instruction manual thoroughly.
- 37) Before engaging the PTO, ensure that there's nobody in the field of action of the machine and that the selected running rate corresponds to the permissible value.
- 38) Never engage the PTO when the engine is on.
- 39) Always disengage the PTO when the cardan shaft is set at an excessively open angle (never beyond 10 degrees) and when it is not in use.
- 40) Only clean and grease the cardan shaft when the PTO is disengaged, the engine is off, the handbrake engaged and the ignition key is removed.
- 41) Rest the cardan shaft on its stand when not in use.
- 42) Refit the protective cap on the PTO shaft after having dismantled the cardan shaft.
- 43) Over use of the machine can overheat the gear box unit and parts of the hydraulic circuit. Never touch these parts immediately after use as they are very hot and can cause burns.
- 44) Never carry out maintenance or cleaning work unless the PTO has been disengaged, the engine switched off, the hand brake engaged and the tractor locked in position by a block or stone under the wheels.
- 45) Periodically check for all nuts and bolts to be fully tightened. Re-tighten them if necessary.
- 46) Always place adequate supports under the implement when servicing the machine or replacing the hoe blades with the implement raised.
- 47) Before working on the rotary tiller rotor, disengage the PTO, switch off the tractor engine, engage the hand brake and check that the blades are still.
- 48) Only use the recommended oils & grease.
- 49) The spare parts must correspond to the requirements established by the manufacturer. Only use genuine spare parts.
- 50) The safety instructions must always be perfectly visible. They must be kept clean and should be replaced if they become illegible. Replacements are available on request from your local dealer.
- 51) The instruction manual must be kept for as long as the machines last.

INSTRUCTIONS FOR OPERATOR

MACHINES SUPPLIED PARTLY

BROKEN-DOWN

When large volumes are involved, machines can be supplied with parts detached or removed (but always in the same packaging units).

Normally the 3-point frame is shipped separate and will later be fixed to the machine at the customer premises. Execute these installation operations with the utmost care.

Refer to the list of parts in the spare parts catalogue. In particular, apply the screw tightening torques as listed in the chart.

BEFORE USE

Before starting the machine, check that:

1. The machine is perfectly in order that the lubricants are at the correct levels.
2. Check the rotary tiller is correctly fitted & positioned to obtain the right working depth.

WARNING

None of the following servicing, adjustment and the preparation operations should be carried out unless the PTO is disengaged, the machine is on the ground, the tractor engine is off and the tractor itself is safely parked & braked.

HITCHING TO THE TRACTOR

The rotary tiller is coupled to the tractor when the tiller is on the ground. The ground area should be flat.

All the rotary tillers can be attached to any tractor with a class 1 or 2 universal 3-point hitch.

Depending on the precise dimensions of these two of hitches, find the best position for the rotary tiller by moving the front plates along the square tube and insert the pin in the holes corresponding to the correct diameter for the tractor's parallel arms.

DANGER

Mounting of any implement to a tractor is a very dangerous operation and must only be carried out with the utmost care in compliance with the instructions.

The correct tractor/steerage hoe position is established by setting the implement at such a distance from the tractor that the universal coupling remains 5-10 cm from its maximum closing position. Now proceed in the following way:

1. Near the lift bars, setting them in the most suitable place insert the pin into the relative hole and lock in place with the lynch pins.
2. Lock the lift links using the relative chains and couplings parallel to the tractor.
3. Engage the cardan shaft and check that it is perfectly locked on the PTO. Check that the guard is free to turn and fix it with a relative latch. Remove the cardan shaft support and reposition it by fixing it on the relative hook.
4. Connect the upper third point and correctly regulate by means of the adjuster checking that the upper surface of the steerage hoe is parallel to the ground. This is very important since it achieves parallelism between the axis of the steerage hoe and that of the tractor PTO. When the implement operates in these conditions, there will be less stress on the PTO itself while the cardan shaft and implement will be much less subjected to wear.
5. Besides supporting the leveling plate and acting as shock absorber for it during road transport, the spring ram prevents the steerage hoe from overturning when parking. The effect of the leveling plate on the soil can be increased or decreased depending upon the position, established by the split pin in the various holes in the ram tube.

6. When the machine is operating parking stand should be removed. Parking stand should only be installed when the rotary tiller has been lowered to the ground & the machine is parked.

CARDAN SHAFT

Cardan Shaft adaptation

The cardan shaft, supplied with the machine, is of standard length. Therefore, it might be required to adapt the cardan shaft. In that case, before taking any step consult the Manufacturer for the eventual adaptation.

CAUTION

When the cardan shaft is fully extended, the two tubes must overlap by at least 10-15 cm. When fully inserted, the minimum play must be 4cm.

If the implement is used on another tractor, always check that the guards completely cover the rotating parts of the cardan shaft.

CAUTION

1. Never allow the steerage hoe to operate out of the soil. During work, avoid turning corners while the implement is working. Never work in reverse. Always raise the implement in order to reverse or change direction.
2. During transport, or whenever the implement must be raised, it is advisable to adjust the lift unit of the tractor so that the implement itself is not raised more than about 35 cm from the ground.
3. Do not drive on public highways if the machine is dirtied with soil, grass as it hampers the road traffic.
4. Lower the machine slowly to allow the blades to gradually penetrate the soil.
5. Do not allow it to drop violently on to the ground. To do this would strongly stress all the machine components and could damage them.

WORKING DEPTH

Rotary tiller working depth is regulated on the basis of the position of the following devices:

1. Side skids

Machine with skids: To adjust working depth on this type of machine you must loosen the adjustment pin and raise or lower the skid to the desired extent. Then reposition the pin. Both skids should be subjected to this operation, which will vary according to the type of soil.

CHAIN TENSIONER

A special mechanical chain tensioner regulates the tension of the drive chain. This device works against coiled spring tensioner.

HOE BLADES

Check the degree of wear and condition of the hoe blades daily. If the blades accidentally bend (or break) during work, they must be immediately replaced.

Remember to mount the new hoe blade in exactly the same position as the old one. If several hoe blades must be replaced, it is advisable to remove and assemble one hoe blade at a time in order to prevent positioning errors.

The steerage hoes are normally equipped with 4 blades per flange. When the soil is dry to clog it is, however, possible to mount 6 hoe blades per flange. The heads of the bolts fixing the hoe blades in place must be on the side of the hoe blades themselves, while the nut with relative washer must be on the flange side. Apply the tightening torques as listed in the chart. If the hoe blades must be changed, remember to set the new blades in the same positions as the dismantled ones.

IN WORK

Start working with the PTO at running rate, gradually lowering the steerage hoe into the soil. Never excessively press down on the accelerator pedal when the PTO is engaged. This could be very harmful for both the steerage hoe and the tractor itself. When choosing how much to break up the soil that is to be rotary hoed the following points must be considered:

1. The type of soil (mixed, sandy, clayey etc.)
2. How deep to hoe
3. The forward moving speed of the rotary tiller/tractor.

The soil is best broken up and rotary hoed with a slow forward moving speed of the tractor, with the leveling blade lowered and a blade carrying rotor rotation speed of about 180-210 rpm. The plank helps to produce a well-leveled and smooth surface after hoeing.

If the plank is raised the sods/clog are no longer broken up and there will not be a smooth, level finish.

HOW IT WORKS

Position the Plank according to how finely broken soil should be. Position the depth of the two skids that are on the sides of the rotary tiller. Start to move the tractor forward gradually lowering the rotary tiller.

After a short distance check whether the soil is being hoed to the depth required, broken up finely enough and levelled enough.

CAUTIONS

In order to prevent breakages or damage, the speed of the tractor must never exceed 2-5 km/hr while the implement is working.

TROUBLESHOOTING HINTS FOR THE TRACTOR OPERATOR

INSUFFICIENT DEPTH

1. Check the positioning of the two depth skids.
2. Move forward slower as the power of the tractor may be insufficient.
3. If the soil is too hard a second or third hoeing may be required.
4. If the hoe blades are rotating on top of the soil instead of cutting into it proceed more slowly.

THE SOIL IS TOO FINELY BROKEN UP

1. Raise the leveling blade.
2. Increase the forward moving speed of the tractor.

THE SOIL IS NOT BROKEN UP FINELY ENOUGH

1. Lower the leveling blade.
2. Reduce the tractor speed.
3. Don't work soil that is too wet.
4. In the rotary hoes fitted with a leveling bar, raise or lower this so as to keep the sods closer to the hoe blades.

CLOGGING UP THE ROTOR

1. The soil is too wet for hoeing.
2. Raise the leveling blade.
3. Reduce the tractor speed.
4. Reduce the number of the hoe blades per flange from six to four.
5. Avoid hoeing where there is long grass.

THE ROTARY HOE BOUNCES OVER THE SOIL OR VIBRATES

1. There are foreign bodies caught between the hoe blades.
2. The hoe blades have been incorrectly assembled thereby not forming. The helix shape or with the blunt edge placed to cut into the soil first instead of the cutting edge.
3. Worn or broken hoe blades.
4. The rotor is deformed because of blows to the central part caused by foreign bodies present during hoeing.

OTHER PROBLEMS

The rotary hoe does not hoe to the same depth over the whole width. E.g. if it hoes too deeply on the right side shorten the right arm of the lift bars and regulate the position of the right hand skid.

WORKING ON A HILL/SLOPE

Where possible always try to 'work up' the slope. If this is not possible avoid hoeing along the contours of the hill and hoe up and down the slope to avoid a terracing effect.

PRACTICAL NOTES

The hoed soil should be on the right of the driver the best system is to hoe the alternate strips.

PARKING

WARNING

Comply with the following instruction in order to ensure that the implement remains stable when released from the tractor.

1. Besides supporting the leveling plate and acting as a shock absorber for it during road transport, the spring ram prevents the steerage hoe from over turning when parking.
2. Hold the cardan shaft with a suitable support.

MAINTENANCE

The various servicing operation are listed in the following paragraphs.

Lower running costs and longer machine life depend on constant and methodical compliance with these operations.

CAUTION

The given frequencies are indicative and refer to normal conditions of use. They may therefore be subjected to variations in relation to the type of service, in more or less dusty environment, seasonal factors, etc.

In the case of heavy-duty condition, the maintenance operation should obviously be more frequent.

Before injecting grease into the lubricators, the greasing points must be thoroughly cleaned to prevent mud, dust or foreign bodies from mixing with the lubricants, thus reducing or even annulling its lubricating effect.

When topping up or changing the lubricant, always ensure that the oil is of the same type as that used previously.

WARNING

Always keep oil and greases well away from children's reach. Always thoroughly read the warnings and precautions indicated on the containers.

Avoid contact with the skin.

Always thoroughly and fully wash after use. The utilized oils should be treated in compliance with the current anti-pollution laws.

Every 8 work hours:

Grease the cardan shaft cross journals.

Check that the bolts fixing the hoe blades are well tightened.

Every 50 work hours:

Check the level of the oil in the gearbox or in the reduction unit and top up to the level mark on the rod as necessary.

Transmission lateral part chain: check the level of the oil in the side casing of the transmission unit.

Add oil through the fill plug if necessary. It should flow from the level plug.

Every 200 work hours:

Change the oil in the gearbox or in the reduction unit and transmission casing by completely draining of the old oil through the drain plug, under the reduction unit and through the transmission drain plug.

STORAGE

It is advisable to proceed in the following way at the end of the season or if the machine is to remain inactive for a long period of time:

1. Wash the implement, particularly removing any fertilizer and/or chemical products, and then thoroughly dry it.
2. Carefully check for any damaged or worn parts and replace these if necessary.

3. Fully check screws or bolts, particularly those fixing the hoe blades.
4. Thoroughly lubricate the implement and lastly protect it with a plastic sheet. Store it in a dry place.

Careful compliance with these instructions will be all to the advantage of the user who will be sure to use an implement in perfect conditions when work begins again. Remember that the manufacturer is always at your disposal for any assistance or spare parts as may be required.

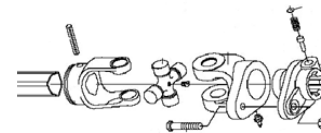
LUBRICANTS

It is advisable to use SAE 140 EP Grade OIL or equivalent for the gear box unit and side transmission.

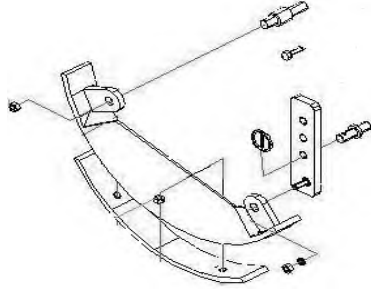
It is advisable to use high quality grease for all greasing points.

SERVICING TIPS

1. **Problem**-- P.T.O shaft is rotating with constant speed but not the gear box.
Cause of problem -- Safety bolt might be broken
Solution -- Replace the safety bolt.
 - a) Remove the P.T.O shaft from the R.T side.
 - b) Dislodge the safety bolt and replace it.



2. **Problem**—P.T.O shaft is making noise/ vibration.
Cause of problem – P.T.O cross is broken.
Solution –Change the P.T.O cross.
 - a) Take the P.T.O shaft and check the cross of both side by rotating it.
 - b) Remove the lock of the cross which is broken.
 - c) Take out the cross by using hammer gently.
 - d) Insert the new one properly then lock it.
 - e) Rotate the yoke, it should rotate properly.
 - f) Grease properly.
3. **Problem**—Yoke is not fitting on the pinion shaft.
Cause of problem – Yoke pin is broken.
Solution –Replace the yoke pin.
 - a) Clear the head of the pin, force it with hammer and remove it
 - B) Replace it with new one.
 - c) Take care of proper cleaning and greasing.
4. **Problem**—Rotary tiller is not taking proper depth.
Cause of problem— Side depth skids need to be adjusted.



Solution –

- a) Lose the side skid bolt .
- b) Shift the hole to the upper side.

2. Problem—depth along the line of cut is more on one side.

Cause of problem –linkage is not proper

Solution –Linkage adjustment should be proper.

Tractor linkage should be tight

There should not be any play more then 1.5”(38MM)

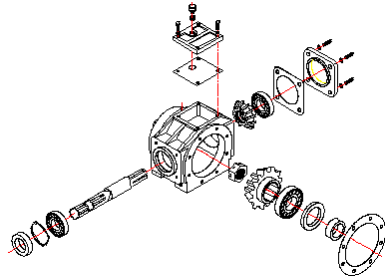
At the time of attaching the rotary tiller the R. T should be in proper leveled position

Both side skids should be in same bolt position.

3. Problem—Gear box is noisy.

Cause of problem –Play in bearing or teeth broken.

Solution –Replace the bearing or bevel gear.



Solution –

- a) Open the top cover to see the wear of the teeth
- b) If the teeth of the gear is broken the bevel set needs to be replaced.
- c) Pull out the gear box and open the big flange.
- d) Then remove the back plate
- e) Pull out the pinion shaft using hammer or press machine.
- f) Replace the bearing, gear and seals.
- g) Make the adjustment in the same way using new gasket.
- h) The gear should rotate freely.
- i) Assemble it back the breather valve should be clean and oiling should be checked.

2. Problem—Gear shafts are rotating but not the chain/rotor

Cause of problem –Transmission shaft / chain/ RD shaft is broken

Solution –Open the chain cover and replace the part which is broken.

- a. First remove the lock & loosen the check nut
- b. Pull out the sprocket assembly with chain
- c. If the transmission shaft is broken, follow the same process as above and replace the shaft then assemble the gear box with rotary tiller.
- d. If chain is broken then replace the chain and assemble the sprockets together with chain & then tighten the check nuts.

For RD shaft the process will be different

First open the flange bolt of the rotor on both side (RD shaft and Dead shaft) and remove the rotor.

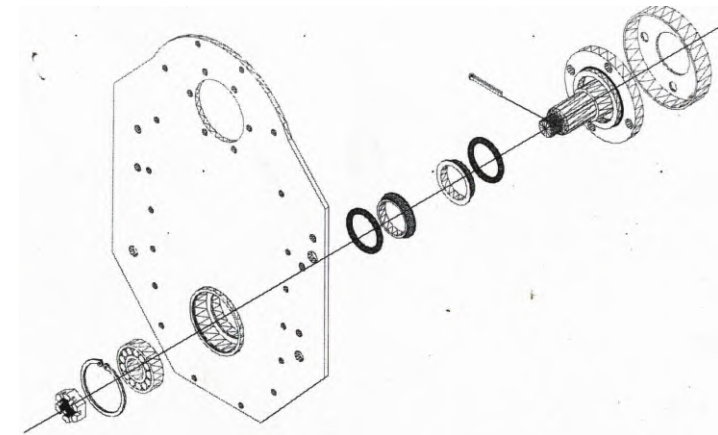
Loosen the check nut of RD shaft and hammer it till it gets out of the RD shaft hub & then replace the RD shaft and tight the check nut. Take care of the seal as it should not be harmed with this replacement.

The same process can be followed for dead shaft replacement.

3. Problem—Oil leakage from the RD shaft hub or dead hub.

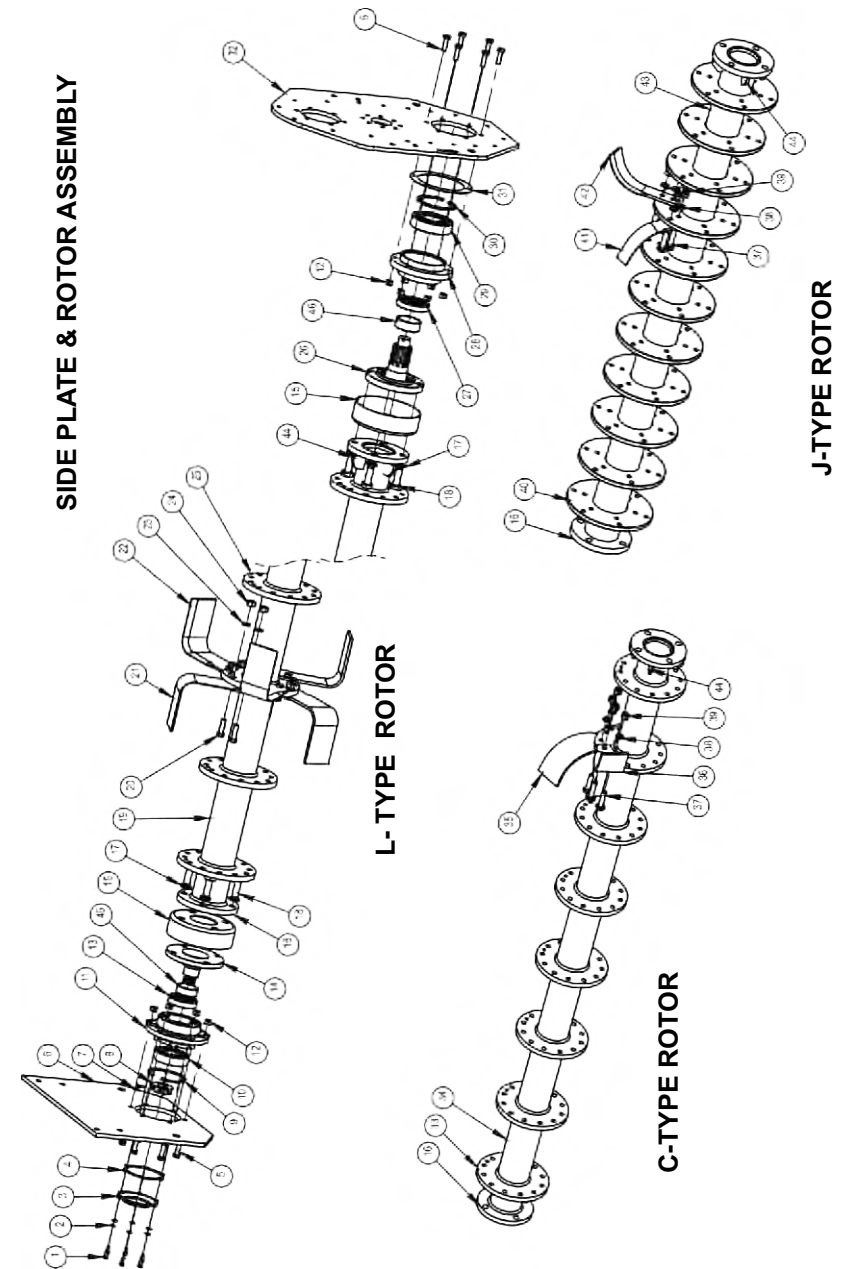
Cause of problem –Seal is wearing out & needs to be replaced.

Solution –Open the hub assembly as before



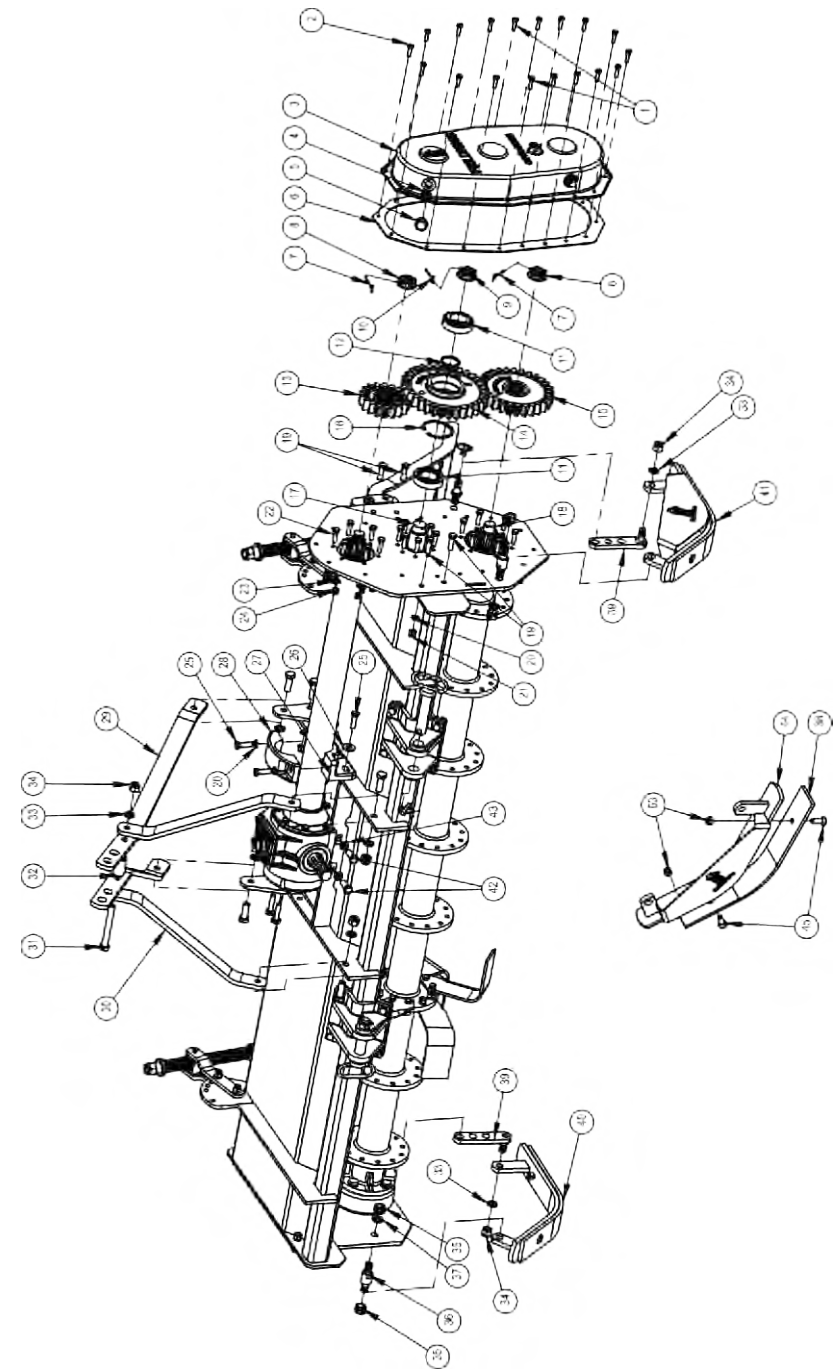
- a. Take out the hub from the plate by loosening the bolts
- b. Remove the lock and pull out the shaft.
- c. Pull out the seal from both shaft and hub then replace it with new one
- d. Inspect the position of bearing and hub. Clean it and assemble as before.
- e. Proper greasing is very necessary in assembly processes.

SIDE PLATE & ROTAR ASSEMBLY				
SR.NO.	DESCRIPTION	PART CODE		
		L-TYPE	C-TYPE	J-TYPE
1	HEX HEAD BOLT M6X1P	10260181		
2	SPRING WASER M6	10270033		
3	DEAD HUB CAP NEW	FKRT-155		
4	GASKET DEAD HUB	FKRT-428		
5	HEX HEAD BOLT M10X1.5PX35	10260053		
6	SIDE PLATE LHS NEW	FKRT-145		
	SIDE PLATE LHS (CHAIN TYPE)NEW	FKRT-459		
	SIDE PLATE LHS CHAIN TYPE (MEADIUM DUTY) NEW	FKRT-484		
7	SPLIT PIN 1/8	10020074		
8	CASTEL NUT M30X1.5	10280012		
9	CIRCLIP B90	10390006		
10	BEARING 6308	10050015		
11	DEAD HUB OIL SEAL NEW ROUND	FKRT-363		
12	PLANE NUT M10X1.5	10280036		
13	OIL SEAL 55X75X15	10010023		
14	DEAD AXEL SHAFT NEW	FKRT-151		
15	ROTOR COVER	FKRT-157		
16	ROTOR SMALL FLANGE	FKRT-136		
17	SPRING WASER M16	10270005		
18	HEX HEAD BOLT M16X1.5X35	10260015		
19	L TYPE-ROTOR ASSEMBLY COMPLETE 2MTR	FKRT-5045		
	L TYPE-ROTOR ASSEMBLY COMPLETE 1.75 MTR	FKRT-5044		
	L TYPE-ROTOR ASSEMBLY COMPLETE 1.5 MTR	FKRT-5043		
	L TYPE-ROTOR ASSEMBLY COMPLETE 1.25 MTR	FKRT-5042		
	L TYPE-ROTOR ASSEMBLY COMPLETE 1 MTR	FKRT-5041		
20	BOLT M14X1.5X40	10260199		
21	L-TYPE HOE LHS	FKRT-431		
22	L-TYPE HOE RHS	FKRT-432		
23	SPRING WASHER M14	10270004		
24	NYLOCK NUT M14X1.5	10280004		
25	ROTOR BIG FLANGE L-TYPE	FKRT-433		
26	RD SHAFT 10S	FKRT-263		
27	OIL SEAL 65X85X18	10010003		
28	RD HUB ROUND NEW	FKRT-273		
29	BEARING 6310	10050045		
30	CIRCLIP B110	10390008		
31	RD HUB GASKET	FKRT-395		
32	SIDE PLATE RHS GEAR TYPE NEW	FKRT-257		
	SIDE PLATE RHS 19-33-25 GEAR TYPE NEW	FKRT-256		
	SIDE PALTE RHS CHAIN TYPE NEW	FKRT-260		
	SIDE PLATE RHS CHAIN TYPE (MEADIUM DUTY) NEW	FKRT-483		
33	ROTOR BIG FLANGE C-TYPE		FKRT-134	
	C TYPE -ROTOR ASSEMBLY 2.05		FKRT-5064	
	C TYPE-ROTOR ASSEMBLY 1.85		FKRT-5063	
34	C TYPE- ROTOR ASSEMBLY 1.65		FKRT-5062	
	C TYPE-ROTOR ASSEMBLY 1.45		FKRT-5061	
35	C-TYPE HOE LHS		FKRT-142	
36	C-TYPE HOE RHS		FKRT-141	
37	HEX HEAD BOLT M12X1.75X40	10260273	10260273	
38	SPRING WASHER M12	10270003	10270003	
39	NYLOCK NUT M12X1.75	10280025	10280025	
40	ROTOR BIG FLANGE J-TYPE		FKRT-486	
41	J-TYPE HOE LHS		FKRT-498	
42	J-TYPE HOE LHS		FKRT-497	
	J-TYPE ROTOR ASSEMBLY COMPLETE 2 MTR		FKRT-5099	
	J-TYPE ROTOR ASSEMBLY COMPLETE 1.75 MTR		FKRT-5098	
43	J-TYPE ROTOR ASSEMBLY COMPLETE 1.5 MTR		FKRT-5097	
	J-TYPE ROTOR ASSEMBLY COMPLETE 1.25 MTR		FKRT-5096	
	J-TYPE ROTOR ASSEMBLY COMPLETE 1 MTR		FKRT-5095	
44	ROTOR RIB	FKRT-131		
	DEAD HUB BUSH	FKRT-299		
	RD SHAFT BUSH	FKRT-297		



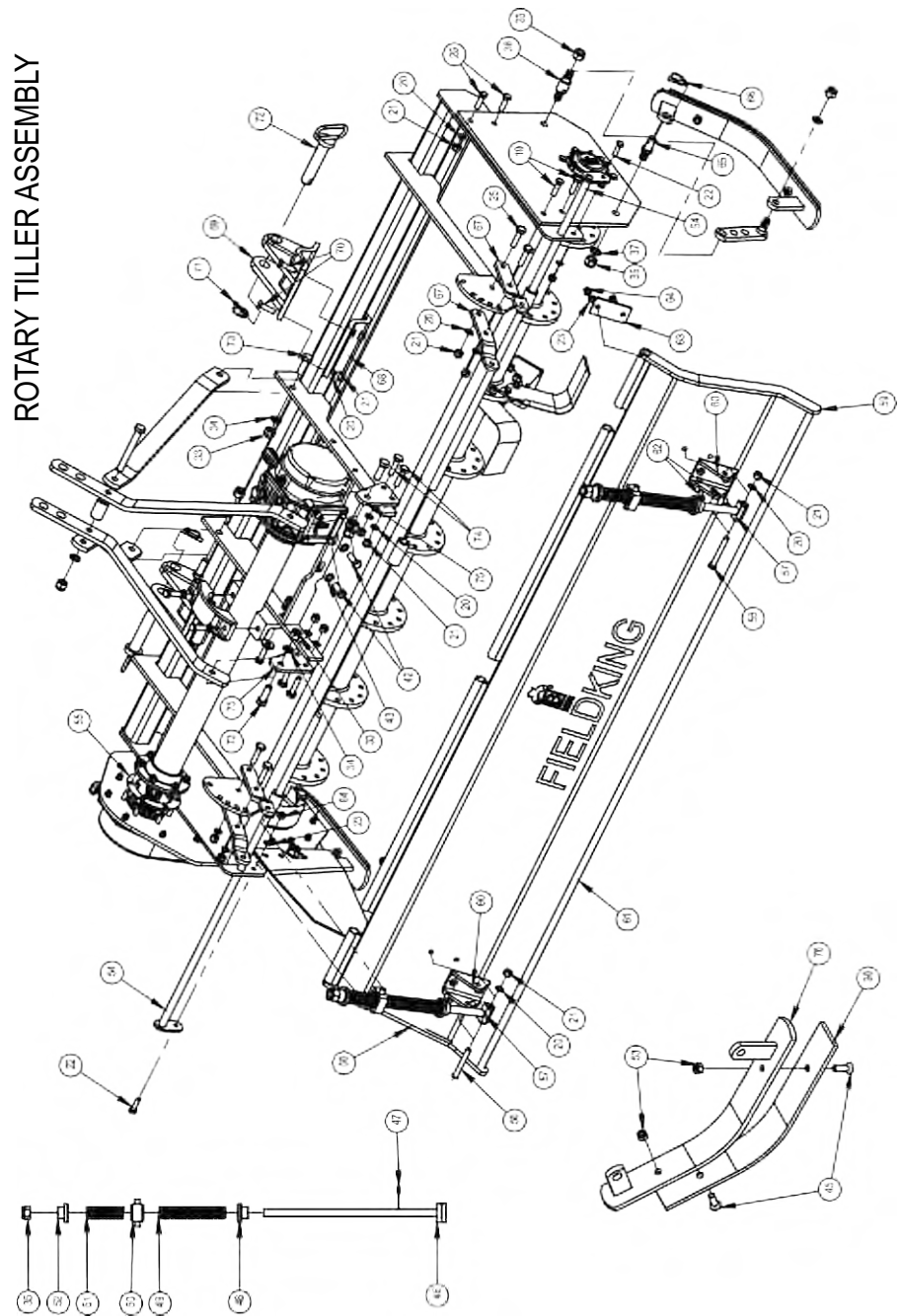
ROTARY TILLER COMPLETE ASSEMBLY		
SR. NO	DESCRIPTION	PART CODE
1	HEX HEAD BOLT M8X40	10260002
2	HEX HEAD BOLT M8X25	10260001
3	GEAR COVER	FKRT-293
4	BREATHER NUT 22X1.5	FKRT-183
5	BREATHER VALVE	FKRT-184
6	GASKET CHAIN/ GEAR COVER	FKRT-294
7	SPLIT PIN 1/8 2"	10020074
8	CASTLE NUT 30X1.5	10280012
9	CASTLE NUT 36X2	10280071
10	SPLIT PIN 1/8 2.5 INCH	10020097
11	BEARING 32209	10050036
12	SPACER 45X4	FKRT-279
13	SPUR GEAR 18-14S	FKRT-283
	SPUR GEAR 18- 8S	FKRT-281
	SPUR GEAR 19-14S	FKRT-284
	SPUR GEAR 19-8S	FKRT-282
14	SPUR GEAR Z33	FKRT-285
15	SPUR GEAR 28-10S	FKRT-286
	SPUR GEAR 25-10S	FKRT-287
16	CIRCLIP B85	10030013
17	IDLER PIN	FKRT-277
18	RD SHAFT NEW	FKRT-263
19	HEX HEAD BOLT M2X1.75X35	10260028
20	SPRING WASHER M12	10270003
21	NYLOCK NUT M12X1.75	10280025
22	HEX HEAD BOLT M10X1.5X35	10260053
23	SPRING WASHER M10	10270002
24	PLAN NUT M10	10280036
25	HEX HEAD BOLT M2X1.75X50	10260064
26	PLAN WASHER M12	10270010
27	TRANSMISSION PIPE CLAMP LOWER	FKRT-339
28	TRANSMISSION PIPE CLAMP UPPER	FKRT-338
29	REAR LEVER	FKRT-331
30	FRONT LEVER	FKRT-330
31	HEX HEAD BOLT M16X2X125	10260072
32	BUSH	FKMODH-012
33	SPRING WASHER M16	10270005
34	NYLOCK NUT M16X2	10280005
35	NYLOCK NUT M18X1.5P	10280006
36	DEPTH SKID PIN-1	FKRT-165
37	SPRING WASHER M18	10270006
38	DEPTH SKID SUPPORT BEND STRIP LOWER	FKRT-159
39	DEPTH SKID ADJUSTER	FKRT-160
40	DEPTH SKID ASSEMBLY LHS	FKRT-5206
41	DEPTH SKID ASSEMBLY RHS	FKRT-5103
42	HEX HEAD BOLT M14X1.5X35	10260067
43	SPRING WASHER M14	10270004
44	DEPTH SKID UPPER STRIP ASSEMBLY RHS	FKRT-5238
45	CSK BOLT M12X1.75X35	10260049

ROTARY TILLER ASSEMBLY



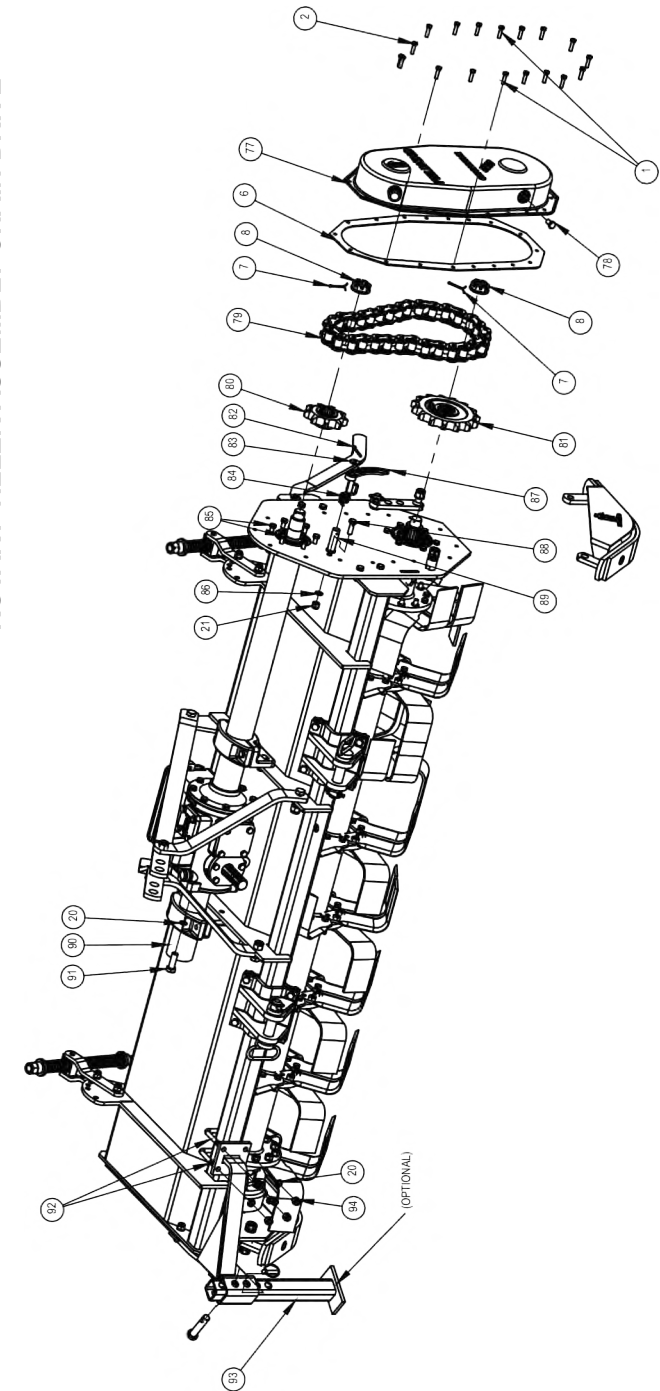
ROTARY TILLER COMPLETE ASSEMBLY		
SR. NO	DESCRIPTION	PART CODE
46	SHOCKER ROD	FKRT-125
47	RIVIT 5X35	20050422
48	SHOCKER SPRING CUP LOWER	FKRT-127
49	SHOCKER SPRING BIG	FKRT-129
50	SQUARE BUSH	FKRT-126
51	SHOCKER SRING SMALL	FKRT-130
52	SHOCKER SPRING CUP UPPER	FKRT-128
53	PLAN NUT M12X1.75	10280028
54	PLANK RODE NEW 2 MTR	FKRT-5215
	PLANK RODE NEW 1.75 MTR	FKRT-5214
	PLANK RODE NEW 1.5 MTR	FKRT-5213
	PLANK RODE NEW 1.25 MTR	FKRT-5212
	PLANK RODE NEW 1 MTR	FKRT-5211
	PLANK RODE NEW 2.05MTR	FKRT-5220
	PLANK RODE NEW 1.85 MTR	FKRT-5219
	PLANK RODE NEW 1.65 MTR	FKRT-5218
	PLANK RODE NEW 1.45 MTR	FKRT-5217
55	GASKET	FKRT-193
56	HEX HEAD BOLT 12X1.75X90	10260011
57	SHOCKER ASSEMBLY	FKRT-5101
58	PLANK SIDE SUPPORT RHS	FKRT-121
59	PLANK SIDE SUPPORT LHS	FKRT-452
60	SHOCKER -PLANK ATTACHMENT U CLAMP	FKRT-123
61	PLANK ASSEMBLY 2MTR	FKRT-5025
	PLANK ASSEMBLY 1.75MTR	FKRT-5024
	PLANK ASSEMBLY 1.5MTR	FKRT-5023
	PLANK ASSEMBLY 1.25MTR	FKRT-5022
	PLANK ASSEMBLY 1MTR	FKRT-5021
	PLANK ASSEMBLY 2.05MTR	FKRT-5034
	PLANK ASSEMBLY 1.85MTR	FKRT-5033
	PLANK ASSEMBLY 1.65MTR	FKRT-5032
	PLANK ASSEMBLY 1.45MTR	FKRT-5031
62	CSK BOLT M10X1.5X35	10260027
63	SHOCKER PLANK ATTACHMENT INNER SUPPORT PLATE	FKRT-124
64	NYLOCK NUT M10X1.5	10280002
65	DEPTH SKID PIN-2	FKRT-166
66	LINCH PIN 8MM	10020045
67	FRAM SHOCKER HOLDING CLAMP	FKRT-122
68	FRONT LINK BRACKET BASE	FKRT-335
69	FRONT LINK BRACKET TOP	FKRT-334
70	HEX HEAD BOLT 12X1.75X60	10260010
71	LINCH PIN 10MM	10020022
72	TILLER PIN WITH HANDLE	10020047
73	HEX HEAD BOLT M16X2X50	10260078
74	HEX HEAD BOLT M12X1.75X40	10260273
75	REAR LEVER EXTENSION PLATE	FKRT-458
76	DEPTH UPPER STRIP ASSEMBLY LHS	FKRT-5237

ROTARY TILLER ASSEMBLY



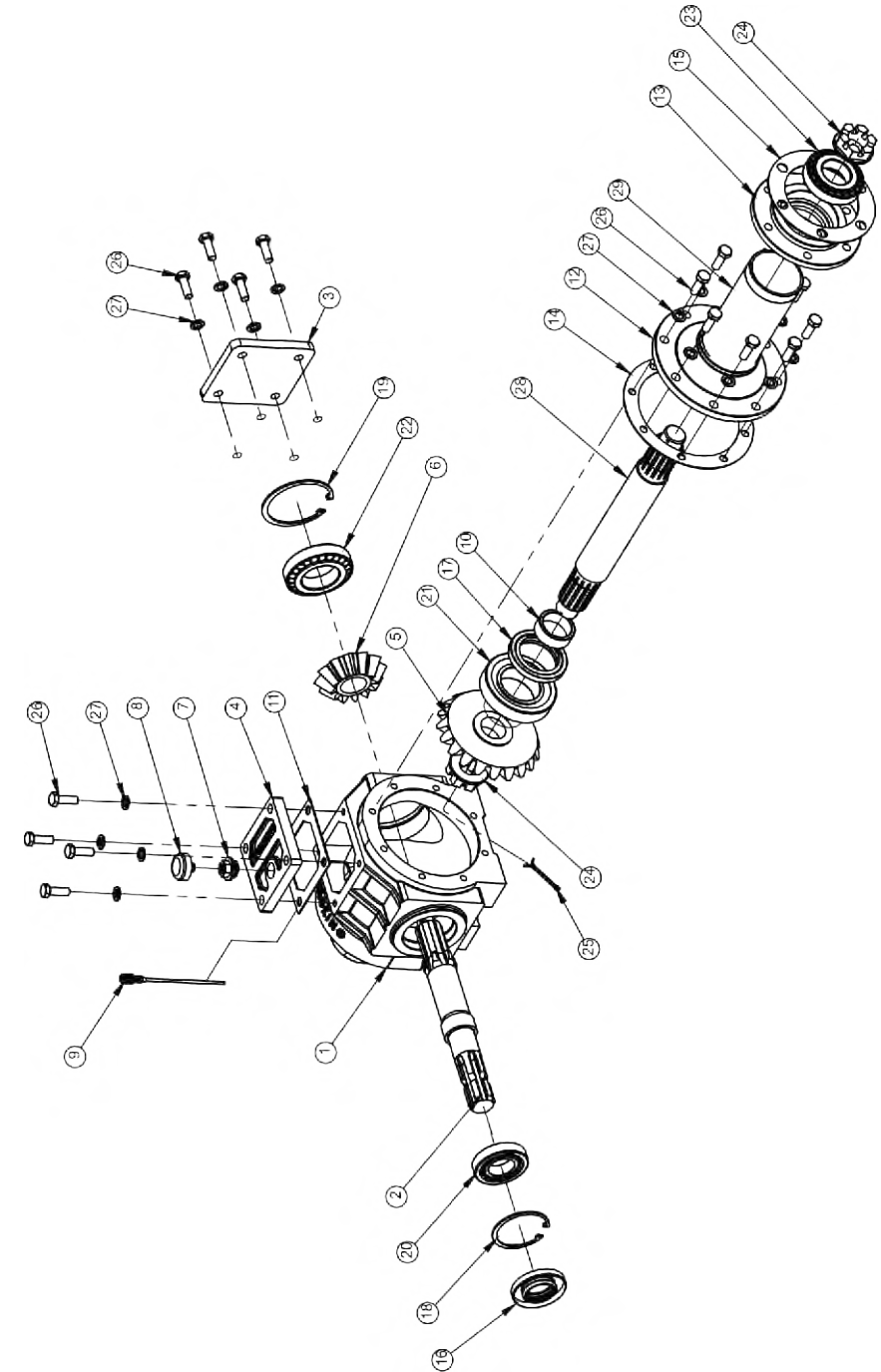
ROTARY TILLER COMPLETE CHAIN ASSEMBLY		
SR. NO	DESCRIPTION	PART CODE
77	CHAIN COVER	FKRT-326
78	DRAIN PLUG BOLT M12X1.5X20	FKRT-295
79	CHAIN 1.25	FKRT-322
	CHAIN 1.5P	10140005
80	SPROCKET 10T-14S	FKRT-311
	SPROCKET 10T-8S	FKRT-310
	SPROCKET 11T-8S	FKRT-478
	SPROCKET 11T-14S	FKRT-351
	SPROCKET 9T-14S	FKRT-316
81	SPROCKET 17T-10S	FKRT-312
	SPROCKET 16T-10S	FKRT-496
	SPROCKET 15T-10S	FKRT-427
82	SPLIT PIN 3/16	10020005
83	WASHER M16	10270020
84	CHAIN TIGHTENER SPRING	FKRT-304
85	CSK BOLT M10X1.5X35	10260027
86	WASHER	20050094
87	CHAIN TIGHTENER	FKRT-301
88	CHAIN TIGHTENER SPRING BOLT	FKRT-306
89	CHAIN TIGHTENER SPRING PIN	FKRT-308
90	MULTISPEED GEAR BOX MOUNTING	FKRT-5222
91	HEX HEAD BOLT M12X1.5X30	10260263
92	U CLAMP BOLT 12X1.5	10220014
93	ROTARY TILLER STAND ASSEMBLY	FKRT-5239
94	NYLOCK NUT M12X1.5	10280003

ROTARY TILLER ASSEMBLY CHAIN DRIVE

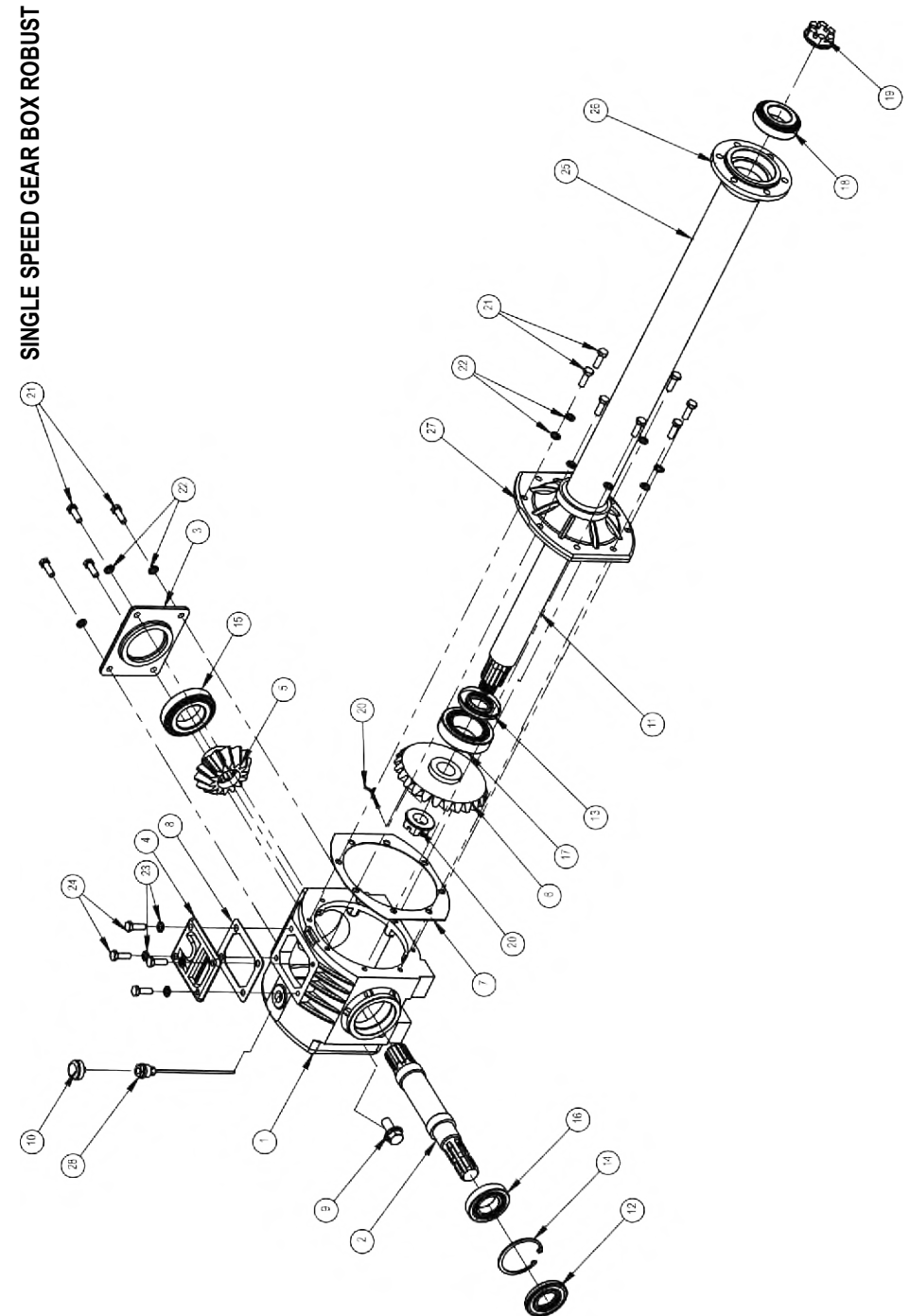


SINGLE SPEED GEAR BOX ASSEMBLY		
SR. NO.	DESCRIPTION	PART CODE
1	GEAR BOX HOUSING (SINGLE SPEED)	FKRT-177
2	PINION SHAFT (SINGLE SPEED-294)	FKRT-178
3	GEAR BOX REAR PLATE (SINGLE SPEED)	FKRT-179
4	GEAR BOX TOP PLATE (SINGLE SPEED)	FKRT-180
5	BEVEL GEAR 20T-14S	FKRT--181
6	PINION GEAR 11T-6S	FKRT-182
7	BRTBREATHER NUT 22X1.5	FKRT-183
8	BREATHER VALVE	FKRT-184
9	DIP STICK	FKRT-185
10	TRANSMISSION SHAFT BUSH 19MM	FKRT-186
11	DRAIN PLUG	FKRT-187
12	GASKET GEAR BOX TOP PLATE	FKRT-188
13	GASKET GEAR BOX REAR PLATE	FKRT-189
14	BIG FLANGE TRANSMISSION PIPE	FKRT-190
15	SMALL FLANG TRANSMISSION PIPE	FKRT-191
16	GASKET BIG FLANGE	FKRT-192
17	GASKET SMALL FLANG	FKRT-193
18	OIL SEAL 35X72X10	10010001
19	OIL SEAL 55X80X10	10010002
20	CIRCLIP LIGHT B-72	10390004
21	CIRCLIP LIGHT B-90	10390006
22	BEARING 30207	10050049
23	BEARING 32211	10050009
24	BEARING 30210	10050002
25	BEARING 30209	10050048
26	CASTEL NUT M30X1.5P	10280012
27	SPLIT PIN 1/8 2 INCH	10020074
28	HEX HEAD BOLT M10X1.5X30	10260003
29	SPRING WASHER M10	10270002
30	TRANSMISSION SHAFT 2MTR	FKRT-361
	TRANSMISSION SHAFT 1.75MTR	FKRT-360
	TRANSMISSION SHAFT 1.5MTR	FKRT-359
	TRANSMISSION SHAFT 1.25MTR	FKRT-358
	TRANSMISSION SHAFT 1 MTR	FKRT-357
31	TRANSMISSION PIPE 2MTR	FKRT-5075
	TRANSMISSION PIPE 1.75MTR	FKRT-5074
	TRANSMISSION PIPE 1.5MTR	FKRT-5073
	TRANSMISSION PIPE 1.25MTR	FKRT-5072
	TRANSMISSION PIPE 1 MTR	FKRT-5071

SINGLE SPEED GEAR BOX REGULAR

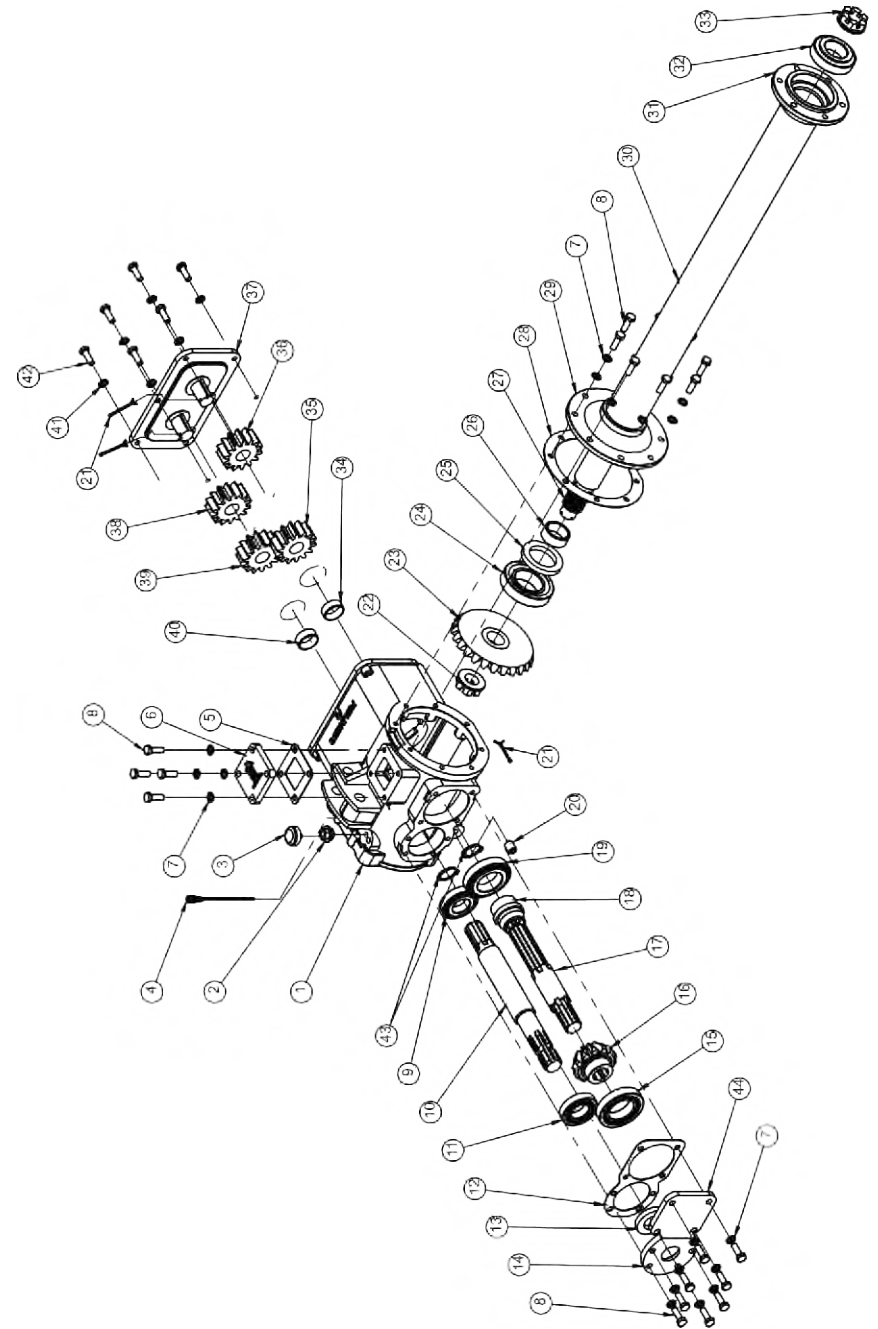


GEARBOX ROBUST TYPE		
SR.NO.	DESCRIPTION	PART CODE
1	ROBUST GEAR BOX HOUSING	FKRT-207
2	PINION SHAFT (SINGLE SPEED)	FKRT-208
3	ROBUST GEAR BOX REAR BEARING PLATE	FKRT-209
4	ROBUSTGEAR BOX TOP PLATE	FKRT-210
5	PINION GEAR 14T	FKRT-211
6	BEVEL GEAR 25T	FKRT-212
7	ROBUST GASKET BIG FLANG	FKRT-214
8	ROBUST GASKET REAR BEARING PLATE	FKRT-215
9	ROBUST GASKET PIPE BIG FLANG	FKRT-214
9	ROBUST GASKET TOP PLATE	FKRT-216
10	DRAIN PLUG	FKRT-187
11	BREATHER VALVE	FKRT-184
12	TRANSMISSION SHAFT-2MTR	FKRT-106
13	OIL SEAL 40X80X10	10010005
14	OIL SEAL 60X80X12	10010044
15	CIRCLIP B80	10390005
16	BEARING 302011	10050004
17	BEARING 30208	10050048
18	BEARING 33112	10050046
19	BEARING 32209	10050036
20	CASTLE NUT M30X1.5	10280012
21	SPLIT PIN 1/8X2"	10020074
22	HEX HEAD BOLT M10X1.5X30MM	10260003
23	SPRING WASHER M10	10270002
24	HEX HEAD BOLT M10X1.5X25MM	10260158
25	TRANSMISSION PIPE ASSEMBLY-2MTR	FKRT-5086
26	SMALL FLANGE TRANSMISSION PIPE	FKRT-485
27	ROBUST GEAR BOX PIPE BIG FLANGE	FKRT-213
28	ROBUST DIP STICK	FKRT-5167



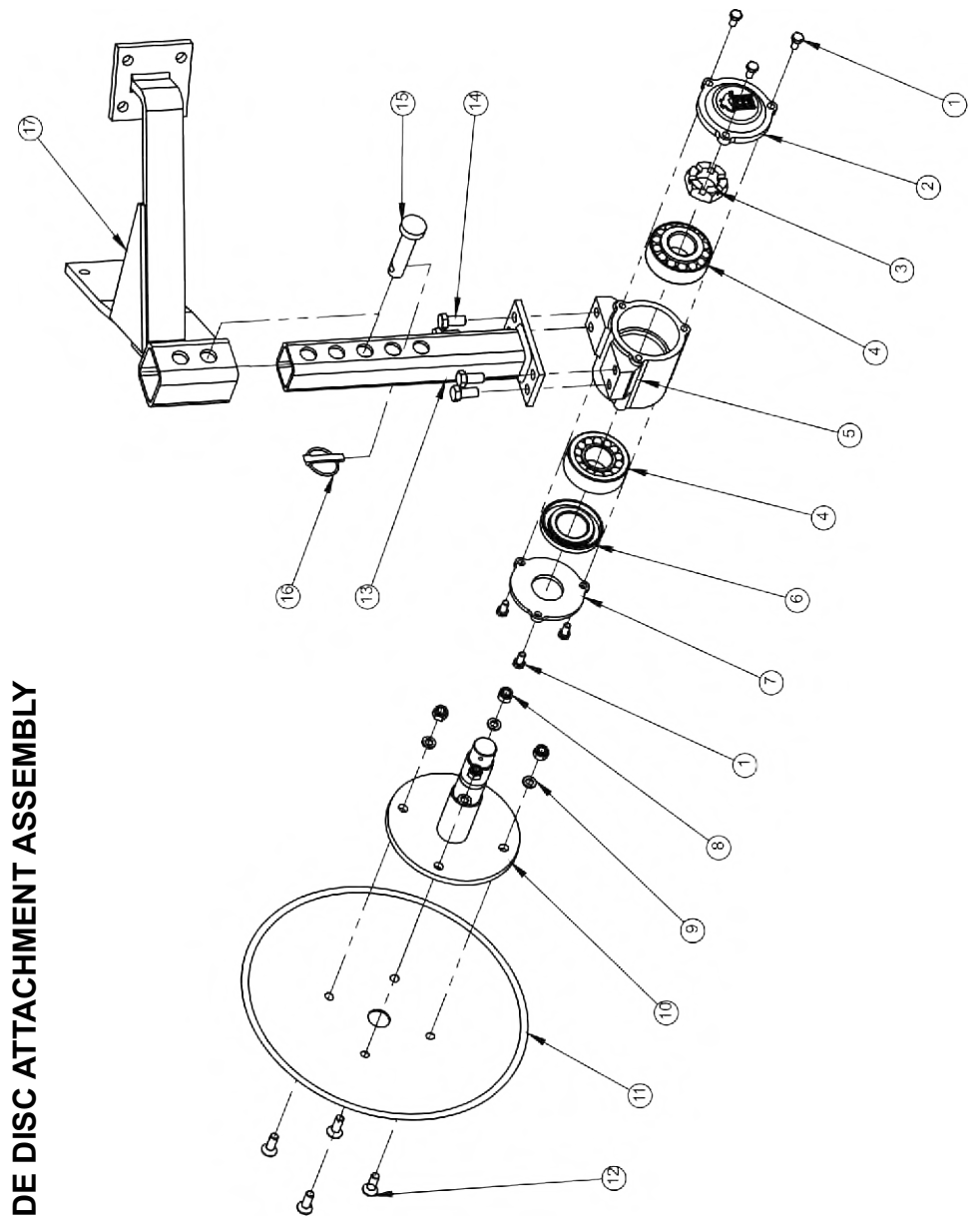
GEARBOX REGULAR MULTISPEED		
SR. NO	DESCRIPTION	PART CODE
1	GEAR BOX HOUSING MULTISPEED	FKRT - 235
2	BREATHER NUT	FKRT- 183
3	BREATHER VALVE	FKRT- 184
4	DEEP STICK	FKRT - 253
5	GASKET MS GEAR BOX TOP PLATE	FKRT -248
6	MS GEAR BOX TOP PLATE	FKRT- 249
7	SPRING WASHER M10	10270002
8	HEX BOLT M10X1.5X30	10260003
9	BEARING 30207	10050049
10	DRIVE SHAFT 366 MM LENGTH	FKRT -236
11	BEARING 30207	10050049
12	GASKET MS GEAR BOX FRONT BEARING PLATE	FKRT - 515
13	OIL SEAL 35X72X10	10010006
14	MS GEAR BOX FRONT PLATE round	FKRT- 246
15	BEARING 30210	10050002
16	PINION GEAR 13 TEETH/6 SPLINES	FKRT - 238
17	PINION SHAFT 257 MM LENGTH	FKRT- 237
18	SPLINE BUSH PINION SHAFT	FKRT - 240
19	BEARING 30210	10050002
20	DRAIN PLUG	FKRT - 187
21	SPLIT PIN LOCK 1/8 2 INCH	10020074
22	CASTLE NUT 30X1.5	10280012
23	BEVEL GEAR 25 TEETH-14 SPLINE	FKRT - 239
24	BEARING 32211	10050009
25	OIL SEAL 55X80X10	10010002
26	TRANSMISSION SHAFT SPACER 21MM	FKRT - 456
27	T. SHAFT 1708S (M200CM)	FKRT - 518
28	GASKET BIG FLANGE MS	FKRT - 255
29	BIG FLANGE TRANSMISSION	FKRT - 254
30	T. PIPE ASS.- M200CM	FKRT - 5248
31	SMALL FLANGE T. PIPE	FKRT - 485
32	BEARING 32209	10050036
33	CASTLE NUT 30X1.5	10280012
34	SAPCER BUSH 35X43X14	FKRT -454
35	SPUR GEAR 20 TEETH 6SPLINE	FKRT - 244
36	SPUR GAER 19 TEETH 6 SPLINE	FKRT - 243
37	MS GEAR BOX REAR PLATE	FKRT - 513
38	SPUR GAER 17 TEETH-6SPLINE	FKRT - 242
39	SPUR GEAR 16 TEETH-6SPLINE	FKRT- 241
40	SPACER BUSH 35X43X14.5	FKRT -455
41	SPRING WASHER M8	10270001
42	HEX HEAD BOLT M8X1.5X25	10260001
43	EXTERNAL CIRCLIP 35MM	10390027
44	MS GEAR BOX FRONT PLATE SQUARE	FKRT- 247

MULTISPEED GEAR BOX REGULAR



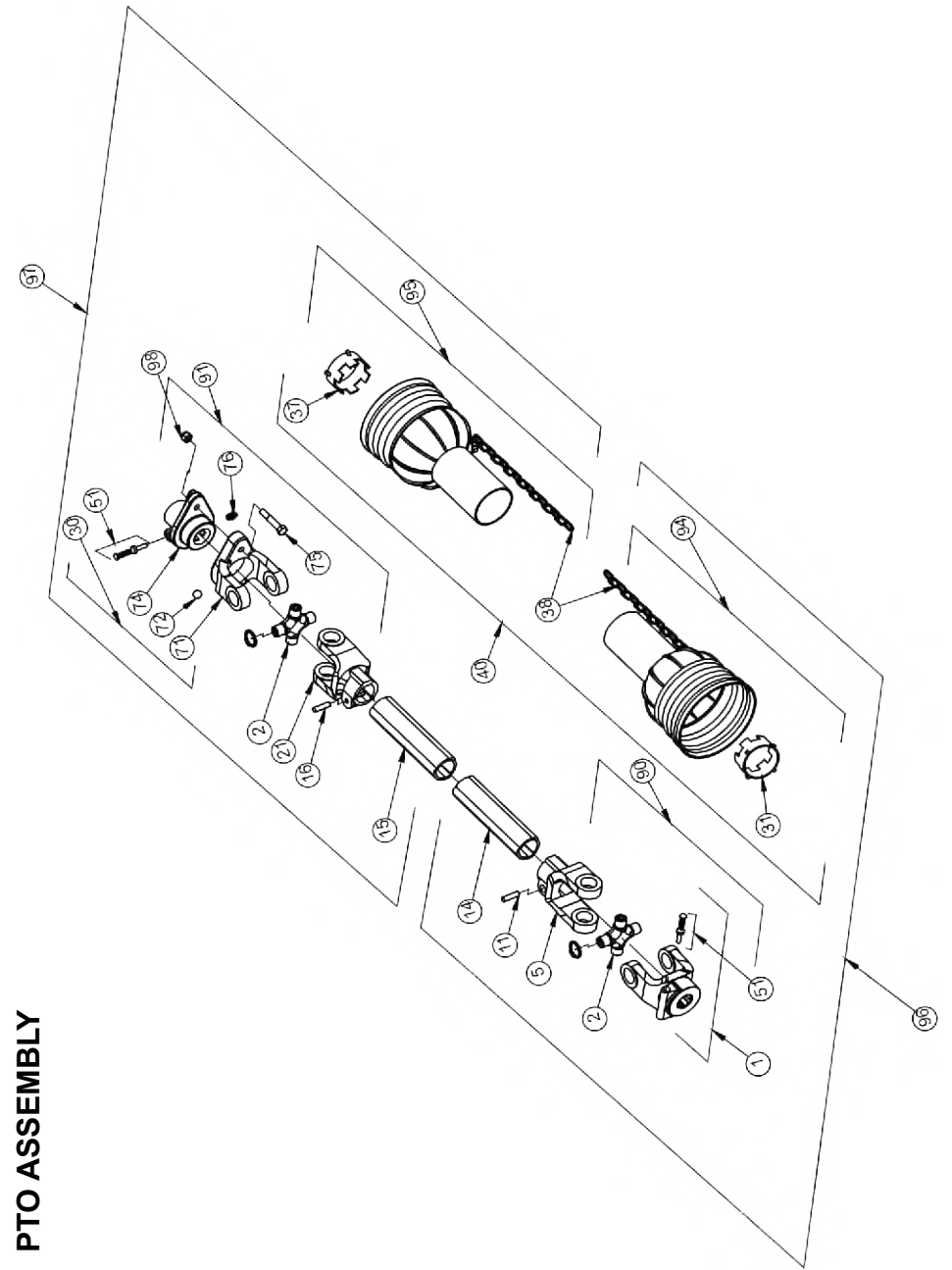
SIDE DISC ASSEMBLY		
SR. NO.	DESCRIPTION	PART CODE
1	HEX BOLT M8X20X1.25	10260188
2	SIDE DISC HUB FRONT COVER	FKRT-353
3	CASTLE NUT M30X1.5	10280012
4	BEARING 32307	10050008
5	SIDE DISC HUB	FKRT-352
6	OIL SEAL 40X80X10	10010005
7	SIDE DISC HUB BACK COVER	FKRT-354
8	NYLOCK NUT M10X1.5mm	10280002
9	SPRING WASHER M10	10270002
10	SIDE DISC HUB AXLE (COMPLETE SET)	FKRT-355
11	PLAIN DISC 14"	FKRT-356
12	CSK BOLT M10X30X1.5mm	10260051
13	SIDE DISC MOUNTING PIPE ASSEMBLY	FKRT-5113
14	HEX BOLT M12X20X1.75 (10.9G)	10260057
15	PIN 19X90	10020026
16	LINCH PIN M10	10020022
17	SIDE DISC ATTACHMENT FRAME	FKRT-5112

SIDE DISC ATTACHMENT ASSEMBLY



P.T.O PART LIST				
Sr. No	DESCRIPTION	PART CODE		
		CUT	FULL	1000 RPM
		FKRT-5116	FKRT-5115	FKRT-5117
1	PUSH PIN YOKE	FKRT-366		FKRT-394
2	CROSS JOURNAL SET	FKRT-367		
5	OUTER YOKE	FKRT-368		
11	ROLL PIN FOR OUTER TUBE	FKRT-369		
14	OUTER TUBE	FKRT-380	FKRT-370	FKRT-370
15	INNER TUBE	FKRT-382	FKRT-371	FKRT-371
16	ROLL PIN FOR INNER TUBE	FKRT-372		
21	INNER YOKE	FKRT-373		
30	COMPLETE SHERE BOLT	FKRT-5229		
31	GUARD RETAINING COLLER FOR OUTER TUBE	FKRT-375		
37	GUARD RETAINING COLLER FOR INNER TUBE	FKRT-376		
38	SAFTY CHAIN	FKRT-377		
40	COMPLETE GUARD ASSAMBLY	FKRT-5231	FKRT-5232	FKRT-5232
51	PUSH PIN SET	FKRT-379		
71	YOKE FOR B02	FKRT-391		
72	BALL	FKRT-381		
74	HUB B02	FKRT-374		
75	SAFETY BOLT M10X1.5X65	10260054		
98	NUT M10X1.5	10280002		
76	GREASE FITTING	FKRT-384		
90	U JOINT FOR OUTER TUBE	FKRT-5224		FKRT-5236
91	U JOINT FOR INNER TUBE	FKRT-5228		
94	HALF FEMALE GUARD ASSEMBLY	FKRT-5226	FKRT-5234	FKRT-5234
95	HALF MALE GUARD ASSEMBLY	FKRT-5230	FKRT-5233	FKRT-5233
96	HALF FEMALE SHAFT	FKRT-5223		
97	HALF MALE SHAFT	FKRT-5230		

PTO ASSEMBLY



DELIVERY CHECKLIST

Dealer Pre-Delivery (Please Tick)	Please Complete all Dealer information Below
<p>1. Dealer Pre-Delivery Checklist</p> <ol style="list-style-type: none"> 1. The customer or person responsible has been given the operator's manual. 2. The customer undertakes to read the complete operator's manual and understands all aspects of the manual before operation of the machine. 3. All safety, operational and maintenance information have been explained and demonstrated. 4. All greasing and oil points, stickers, guarding and ID plate have been identified and physically pointed out. 5. The customer agrees that it is his responsibility to read and carry out the safety, maintenance and operation as per this operator's manual. 	<p>Dealer Information</p> <p>Dealer's Name.....</p> <p>Address.....</p> <p>State..... Postcode.....</p> <p>Phone..... Fax.....</p> <p>Email.....</p> <p>Service Person.....</p> <p>I confirm that the pre-delivery service was performed on this machine.</p> <p>Signature.....</p> <p>Date.....</p> <p>Comments.....</p>
Customer Delivery (Please Tick)	Please Complete all Customer Information Below
<p>2. Customer Delivery Checklist</p> <ol style="list-style-type: none"> 1. The customer or person responsible has been given the operator's manual. 2. The customer undertakes to read the complete operator's manual and understands all aspects of the manual before operation of the machine. 3. All safety, operational and maintenance information have been explained and demonstrated. 4. All greasing and oil points, stickers, guarding and ID plate have been identified and physically pointed out. 5. The customer agrees that it is his responsibility to read and carry out the safety, maintenance and operation as per this operator's manual. 	<p>Customer Information</p> <p>Customer's Name.....</p> <p>Address.....</p> <p>State..... Postcode.....</p> <p>Phone..... Fax.....</p> <p>Email.....</p> <p>Delivery Person.....</p> <p>I confirm that all of the delivery checks were explained and performed.</p> <p>Signature.....</p> <p>Delivery Date.....</p> <p>Comments.....</p>



WARRANTY CARD
Customer Copy

CUSTOMER NAME Mr./ Mrs :	<input type="text"/>
ADDRESS :	<input type="text"/>
MOBILE NO. :	<input type="text"/>
Email :	<input type="text"/>
NAME OF IMPLEMENT :	<input type="text"/>
MODEL NO. :	<input type="text"/>
YEAR OF Mfg. :	<input type="text"/>
SERIAL NO. :	<input type="text"/>
REGISTRATION NO. :	<input type="text"/>
DATE OF PURCHASING :	<input type="text"/>
NAME OF DEALER :	<input type="text"/>

Customer's Signature

Dealer's Signature



BERI UDYOG PVT LTD

Corporate Office:

Plot No. 235 to 240, Sec-3, HSIIDC, Karnal- 132001 (Haryana), India

☎ +91 184 2221571/ 72/ 73

✉ info@fieldking.com, www.fieldking.com



WARRANTY CARD
Company Copy

CUSTOMER NAME Mr./ Mrs :	<input type="text"/>
ADDRESS :	<input type="text"/>
MOBILE NO. :	<input type="text"/>
Email :	<input type="text"/>
NAME OF IMPLEMENT :	<input type="text"/>
MODEL NO. :	<input type="text"/>
YEAR OF Mfg. :	<input type="text"/>
SERIAL NO. :	<input type="text"/>
REGISTRATION NO. :	<input type="text"/>
DATE OF PURCHASING :	<input type="text"/>
NAME OF DEALER :	<input type="text"/>

Customer's Signature

Dealer's Signature



BERI UDYOG PVT LTD

Corporate Office:

Plot No. 235 to 240, Sec-3, HSIIDC, Karnal- 132001 (Haryana), India

+91 184 2221571/ 72/ 73

✉ info@fieldking.com, www.fieldking.com



WARRANTY CARD
Dealer Copy

CUSTOMER NAME Mr./ Mrs :	<input type="text"/>
ADDRESS :	<input type="text"/>
MOBILE NO. :	<input type="text"/>
Email :	<input type="text"/>
NAME OF IMPLEMENT :	<input type="text"/>
MODEL NO. :	<input type="text"/>
YEAR OF Mfg. :	<input type="text"/>
SERIAL NO. :	<input type="text"/>
REGISTRATION NO. :	<input type="text"/>
DATE OF PURCHASING :	<input type="text"/>
NAME OF DEALER :	<input type="text"/>

Customer`s Signature

Dealer`s Signature



BERI UDYOG PVT LTD

Corporate Office:

Plot No. 235 to 240, Sec-3, HSIIDC, Karnal- 132001 (Haryana), India

☎ +91 184 2221571/ 72/ 73

✉ info@fieldking.com, www.fieldking.com