

FALC

SETTEMBRE 1994

CATALOGO PARTI DI RICAMBIO N° 25

ELEVATORE IDRAULICO

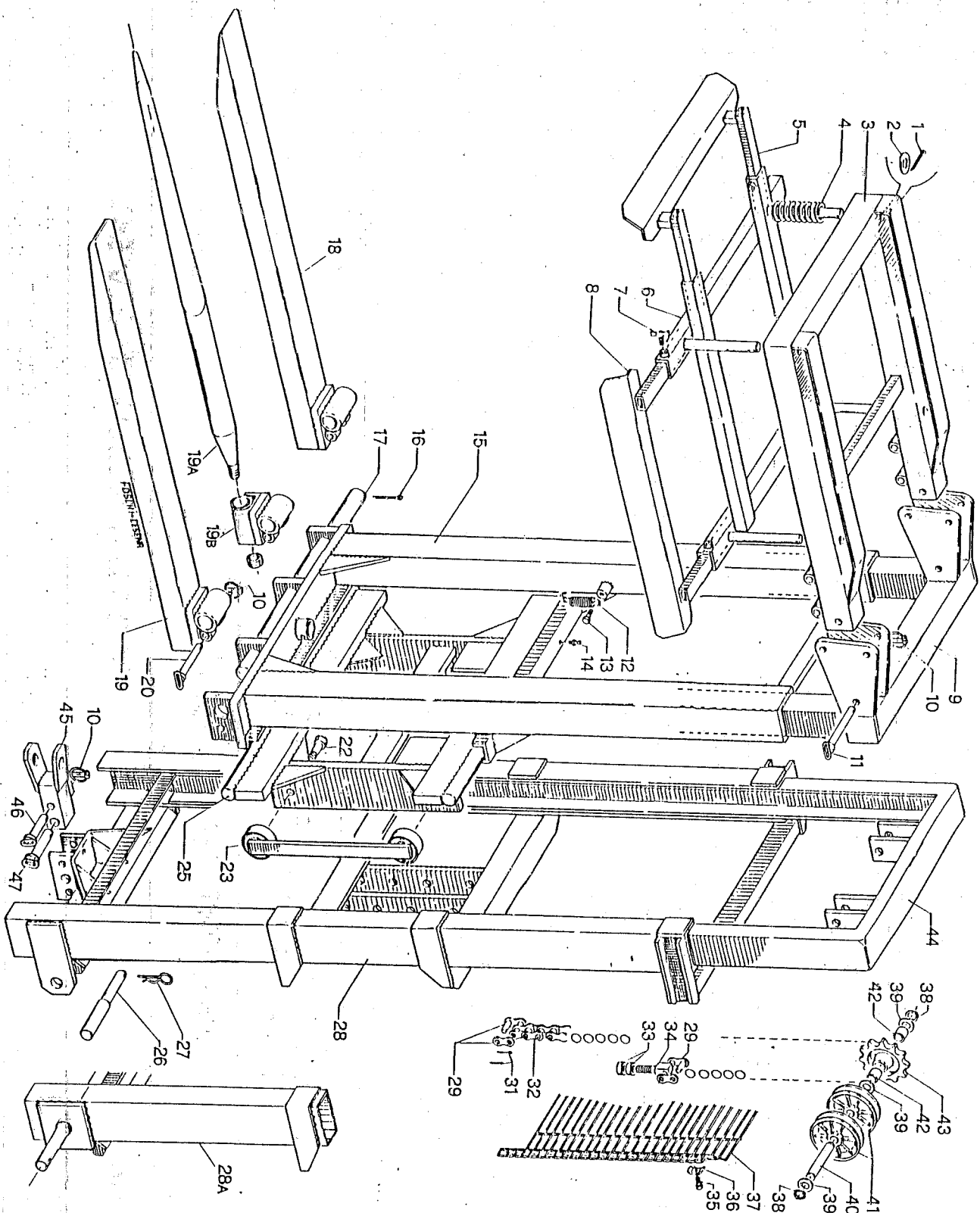
COMPRENDE LE TAVOLE: N° 70 - 71 - 72

MONDIAL

TAV. 70

- ELEVATORE IDRAULICO "MONDIAL"
- ELEVATEUR HYDRAULIQUE "MONDIAL"
- HYDRAULIC FORKLIFT "MONDIAL"
- HYDRAULISCHE GEBELSTAPLER "MONDIAL"

- TELAIO E STRINGICASSA
- CHASSIS ET SERRE-CAISSE
- FRAME AND BOX-CLAMPS
- RAHMEN UND KASTENKLEMME



FRITC

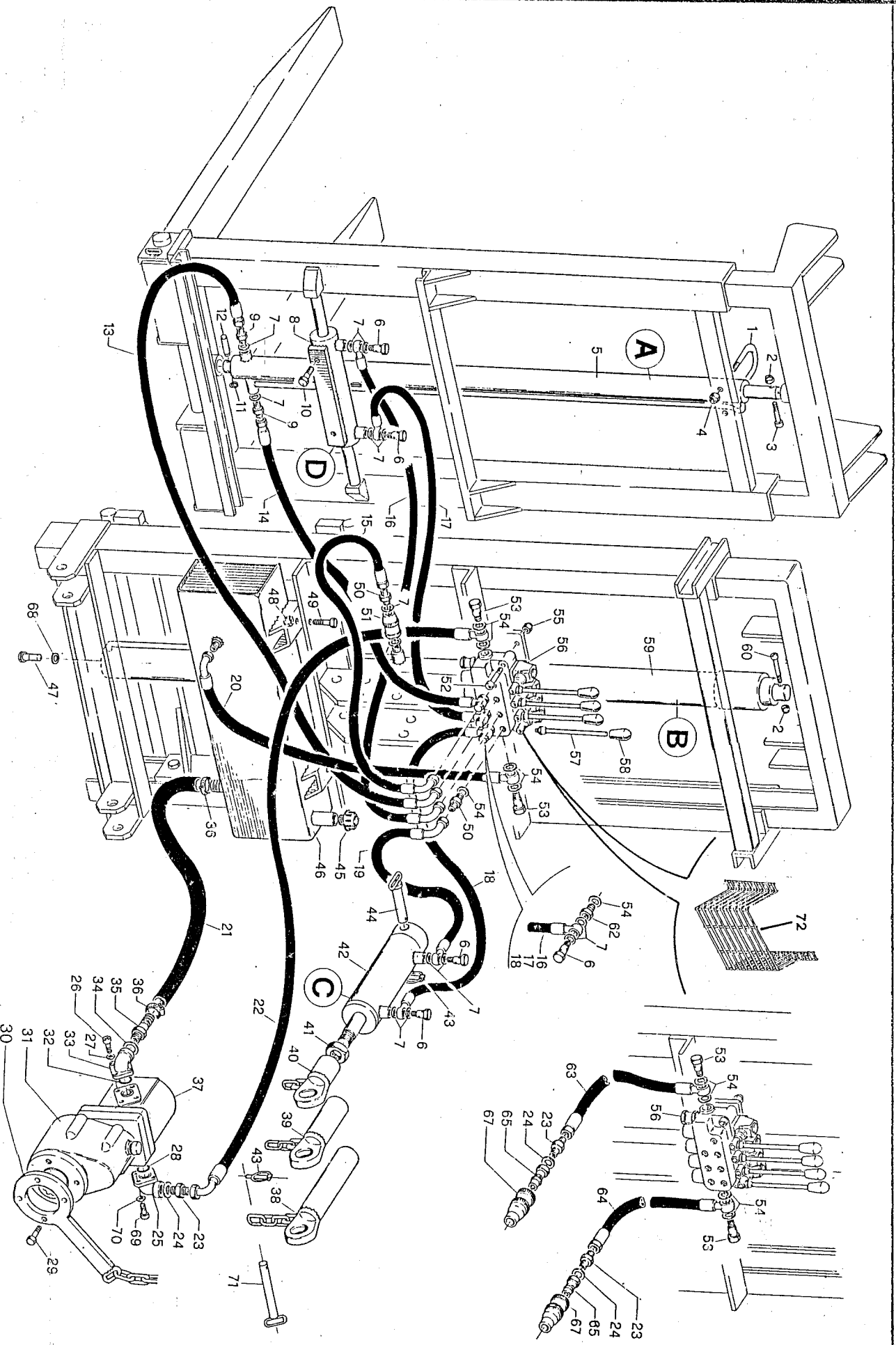
TELAIO E STRINGICASSA

TAV. 70

CODICE	POS.	DESCRIZIONE	CODICE	POS.	DESCRIZIONE
05.3.012	1	COPIGLIA DIAM. 5 L=40	19.133	28/A	COMPLESSIVO ATTACCO PER BRACCIO SOLL.
04.1.203	2	ROSETTA D=20 S=3 UNI 6592 CAT.A	19.121	29	MAGLIA DI CONGIUNZIONE
19.420	3	TELAIO STRINGICASSA	05.3.001	31	COPIGLIA A FORC.D=2 L=18 UNI 1336
19.427	4	MOLLA PER STRINGICASSA	19.122	32	CATENA ISO 147 DIN 8187 65 MG.(2200)
19.440	5	BRACCIO SCORREVOLE FRONTALE STRINGI.	19.124		" " " 83 MG.(2900)
19.440	6	TELAIO PORTA BRACCI SCORR. STRINGI.	19.123		" " " 99 MG.(3200)
01.5.302	7	VITE AD ALETTA M 10 L=20 ZIN.U.5449-91	19.134		" " " 115 MG.(3600)
19.480	8	BRACCIO SCORREVOLE LATERALE STRINGI.	02.1.005	33	DADO ESAG. M 20x1,5 H=20 ZIN.U.5587-68
19.400	9	TELAIO MOBILE PORTA STRINGI.	19.022	34	PERNO PER ATTACCO CATENA
05.3.401	10	SPINA A SCATTO DIAM. 5 L=46 ART.99	01.2.053	35	VITE TCEI M 6 L=8 ZINC. UNI 5931
19.083	11	SPINA ATTACCO STRINGI. AL TELAI0	10.2.201	36	PIASTRINA SUPPORTO FISSAGGIO RETE
19.318	12	MOLLA FISSAGGIO FORCHE	19.604	37	RETE PROTEZIONE FILI 19 (2200)L=273
01.0.158	13	VITE TE M 10 L=35 T.F.UNI 5739-65	19.025A:		" " " 35 (2900)L=513
09.2.501	14	INGRASSATORE A SPILLO M 6x1	19.605		" " " 26 (3200)L=378cad
19.300	15	TELAIO MOBILE SPOSTAMEN. PORTA FORCHE	19.155		" " " 30 (3600)L=438cad
05.3.014	16	COPFIGLIA DIAM. 5 L=60 UNI 1336	05.0.003	38	SEEGER PER EST. DIAM. 20 UNI 7435
19.315	17	PERNO FISSAGGIO FORCHE L=734	04.1.203	39	ROSETTA PIANA DIAM.21 S=3 U.6592 cat,A
19.319		" " L=854	19.112	40	PERNO RUOTA CATENA L=120
19.089	18	FORCA IN TUBO PER MONDIAL 20 q1.	19.106		" " " L=145
19.339	19	FORCA IN LAMIERA PIEGATA	19.108	41	PULEGGIA TURBO OLEODINAMICO
10.2.204	19/A:	PUNTALE PER ROTOBALLE DIAM. 36 L=1400	06.3.001	42	CUSCINETTO HK 2020
19.090	19/B:	SUPPORTO PUNTALE ROTOBALLE	19.107	43	RUOTA TIPO C PER CATENA ISO 147
19.068	20	SPINA ATTACCO FORCHE L=280	19.111	44	TELAIO SCORREVOLE H. 2200
19.067		" " L=320	19.100		" " " H. 2900
01.1.302	22	VITE TE M 20x1,5 L=40	19.110		" " " H. 3200
19.210	23	ASTA COMPLETA DI BOCCOLE E CUSCINETTI	19.138		" " " H. 3600
19.201		*: ASTA CON PERNO PORTA CUSCINETTO	19.126	45	GANCIO TRAINO
06.0.012		*: CUSCINETTO 6206 2RS1	19.082	46	SPINA LAT. ATT. GANCIO TRAINO
19.211		*: BOCCOLA PORTA CUSCINETTI	19.075	47	SPINA CENTR. ATT. GANCIO TRAINO
19.200	25	TELAIO DI SUPP. E GUIDA SCORR. LAT.			
19.026	26	SPINA ATTACCO 3° PUNTO INF.			
05.3.203	27	COPFIGLIA DIAM. 5 (ART.116)			
19.080	28	TELAIO FISSO H. 2200	19.406	***	KIT COMPLETO STRINGICASSE
19.000		" " H. 2900			
19.050		" " H. 3200			
19.375		" " H. 3600			

— ELEVATORE IDRAULICO "MONDIAL"
 — ELEVATEUR HYDRAULIQUE "MONDIAL"
 — HYDRAULIC FORKLIFT "MONDIAL"
 — HYDRAULISCHE GEBELSTAPLER "MONDIAL"

— CIRCUITO OLEODINAMICO
 — CIRCUIT OLEO-DYNAMIQUE
 — OLEODYNAMIC CIRCUIT
 — ÖLDYNAMISCH RUNDSTRECKE



PAV. 71

CIRCUITO OLEODINAMICO

CODICE	POS.	DESCRIZIONE	CODICE	POS.	DESCRIZIONE
19.023	1	CAVALLOTTO FISS. PIST.ALZATA	19.721	21	TUBO ASPIRAZIONE L=840
19.024	2	SPESS. APPOGGIO PIST.ALZATA	19.701	22	TUBO SAE 100 R2 3/8 L=1530
02.2.002	3	DADO AUTOBL. M 10 H=12,3 ZINC.U.7473	09.1.103	23	NIPLO COLLEGAM. 1/2
01.0.165	4	VITE TE M 10 L=65 P.F. UNI 5737 ZINC.	09.1.004	24	RONDELLA 1/2
02.2.002	5	DADO AUTOBL. M 10 H=12,3 ZINC.U.7473	09.1.403	25	RACCORDO CURVA 90° FIL.INT. 1/2
19.615	6	PISTONE STRINGICASSA (A)	01.2.107	26	VITE TCEI M 8 L=20 T.F.
09.1.054	7	BULLONE FORATO 1/4	04.0.002	27	GROWER DIAM. 8,4 S=2
09.1.001	8	RONDELLA 1/4	07.1.002	28	GUARNIZ. O.R. 121
19.614	9	PISTONE TRASLATORE (D)	01.0.154	29	VITE TE M 10 L=25 ZINC.
09.1.101	10	NIPLO COLLEGAMENTO 1/4	19.216	30	SUPPORTO MOLTIPLICAT. CON CATENA
01.1.101	11	VITE TE M 12x1,25 L=25 ZINC.	09.0.201	31	MOLTIPLICATORE PER POMPA BF2B
05.0.028	12	SEEGER PER ALBERI DIAM. 10	07.1.020	32	GUARNIZ. O.R. 132
02.2.002	13	DADO AUTOBL. M 10 H=12,3 ZINC. (NUOVO)	09.1.404	33	RACCORDO CURVA 90° FIL.INT. 3/4
19.317	14	PERNO ATTACCO PISTONE STRINGICASSE	09.1.006	34	RONDELLA 3/4
01.0.162	15	VITE M 10 L=60 P.F. UNI 5737 ZINC. (N)	19.036	35	RACCORDO 3/4 PER TUBO SPIRALBENZ
19.717	16	TUBO SAE 100 R1 1/4 L=3110	09.1.658	36	FASC. STRINGITUBO DIAM.38 (ART.743)
19.718	17	" " " L=3610	09.0.303	37	POMPA SENZA MOLTIPLICATORE IK2P/14,5
19.719	18	" " " L=4200	19.129	38	FRDL. BRAND. LUNGO DIAM. 25,4
19.740	19	" " " L=4600	19.132	39	" " " 19
19.706	20	TUBO SAE 100 R1 1/4 L=2650	19.128	40	FRDLUNGA BRANDEGGIO MEDIA DIAM. 25,4
19.705	21	" " " L=3150	19.131	41	" " " 19
19.704	22	" " " L=3550	19.127	42	CORTA DIAM. 25,4
19.742	23	" " " L=3950	19.130	43	" " " 19
19.700	24	TUBO SAE 100 R2 3/8 L=580	19.602	44	DADO PISTONE BRANDEGGIO
19.711	25	TUBO SAE 100 R1 1/4 L=2460	19.097	45	PISTONE BRANDEGGIO
19.710	26	" " " L=2960	05.3.401	46	SPINA A SCATTO DIAM. 5 L=46 ART.99
19.709	27	" " " L=3360	19.074	47	SPINA ATTACCO PIST. BRANDEGGIO
19.743	28	" " " L=3760	09.2.005	48	TAPPO SFIATO LSF2 (ASTA LIV. A CANNA)
19.712	29	TUBO SAE 100 R1 1/4 L=2900	19.030	49	SERBATOIO OLIO (CAPIENZA litri 17,5)
19.713	30	" " " L=3300	01.0.203	50	VITE TE M 12 L=25 ZINC.
19.714	31	" " " L=3800	02.0.002	51	DADO ESAGONALE M 10 H=10 UNI 5587
19.741	32	" " " L=4200	01.0.154	52	VITE TE M 10 L=25 ZINC. T.F.U.5739-65
19.720	33	TUBO SAE 100 R1 1/4 L=670	09.1.151	53	NIPLO RIDUZIONE 3/8 1/4
19.703	34	TUBO SAE 100 R1 1/4 L=670	09.0.503	54	VALVOLA REGOLAZ. PORTATA SU7
19.702	35	TUBO SAE 100 R1 3/8 L=820			
19.119	36	" " " L=600			

CIRCUITO OLEODINAMICO

TAV. 71

CODICE	POS.	DESCRIZIONE
01.2.105	52	VITE TCEI M 8 L=60 ZINC.
09.1.051	53	BULLONE FORATO 3/8
09.1.052		" " 1/2
09.1.002	54	RONDELLA 3/8
09.1.004		RONDELLA 1/2
02.2.001	55	DADO AUTOBL. M 8 H=10,6 ZINC.
09.0.103	56	DISTRIB. AMI 253 A 3 LEVE
09.0.104		" " AMI 254 A 4 LEVE
19.044	57	LEVA DISTRIB. L=250 s/POMELLO
19.607		" " L=400 s/POMELLO
19.045	58	POMELLO PER LEVA
19.612	59	PISTONE TUFFANTE L=1390
19.616		" " L=1640
19.617		" " L=1890
19.145		" " L=1890 D.E. 3200
19.621		" " L=2090
19.610		" " L=1890 3200/20
01.0.165	60	VITE TE M 10 L=65 ZINC.
09.1.252	62	RIDUZ. M/F 3/8 1/4
19.772	63	TUBO SAE 100 R2 3/8 L=1200
19.773	64	TUBO SAE 100 R1 3/8 L=1200
09.1.505	65	MASCHIO A CONO ATT. RAP. (1/2)
09.1.507	67	FEMMINA ATT. RAP. (1/2)
04.0.004	68	GROWER D=12
01.2.107	69	VITE TCEI M 6 L=20
04.0.001	70	GROWER D=6 S=1,6
19.017	71	SPINA x ATT. CATENA PIST. BRANDEGGIO
19.619	72	RETE PROTEZ. LEVE DISTRIB. (VECC. TIPO)
19.135		PROTEZIONE LEVE (NUOVO TIPO)
19.780	***	KIT/COMPLETO POMPA E SERBATOIO

PIEVAZIOSE IDENTIFICAZIONE

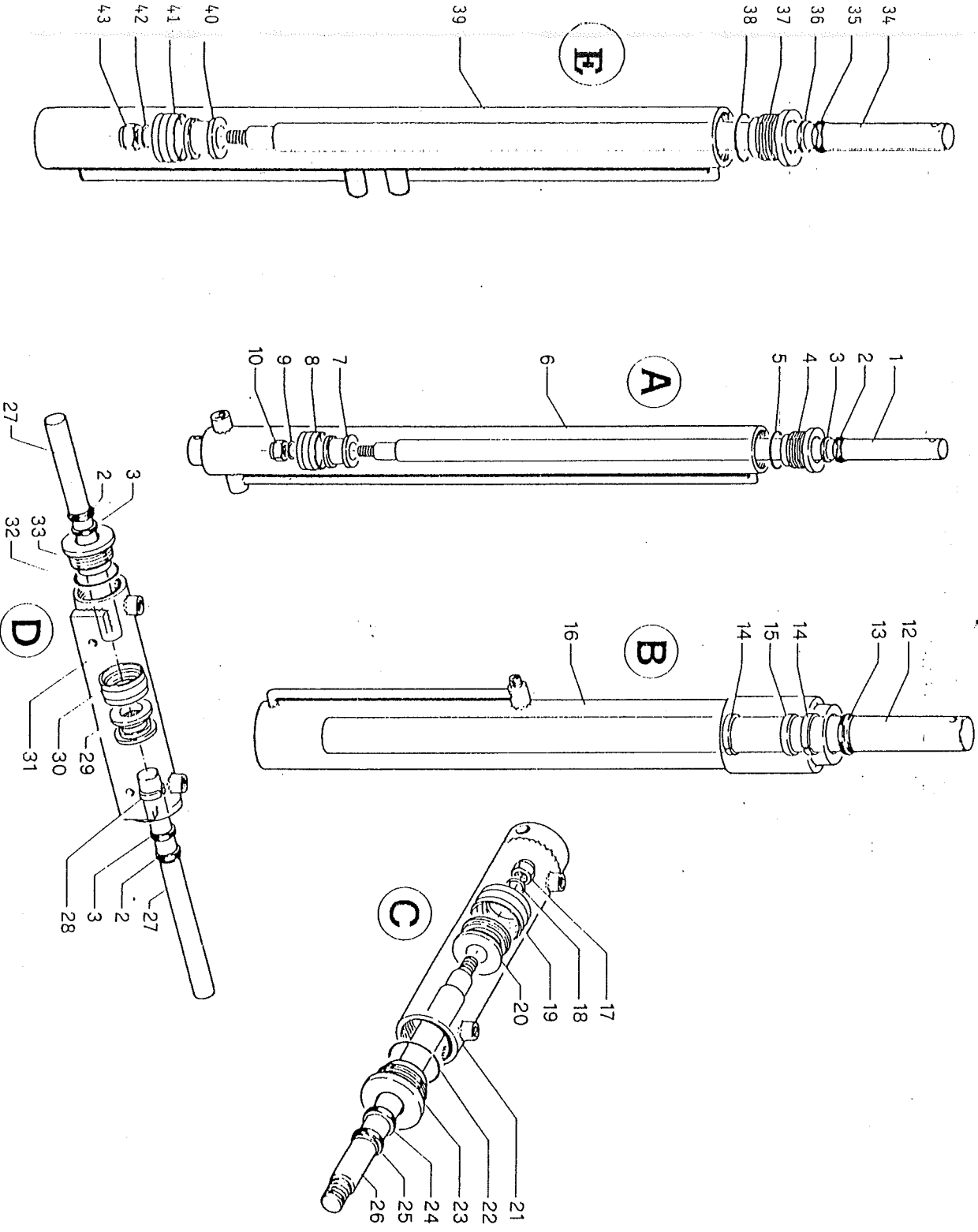
CONDIZIONE:

238

TAV. 72

— ELEVATORE IDRAULICO "MONDIAL"
 — ELEVATEUR HYDRAULIQUE "MONDIAL"
 — HYDRAULIC FORKLIFT "MONDIAL"
 — HYDRAULISCHE GEBELSTAPLER "MONDIAL"

— CILINDRI OLEODINAMICI
 — CYLINDRES OLEO-DYNAMIQUES
 — OLEODYNAMIC CYLINDERS
 — ÖLDYNAMISCHEN ZYLINDER



FRILC

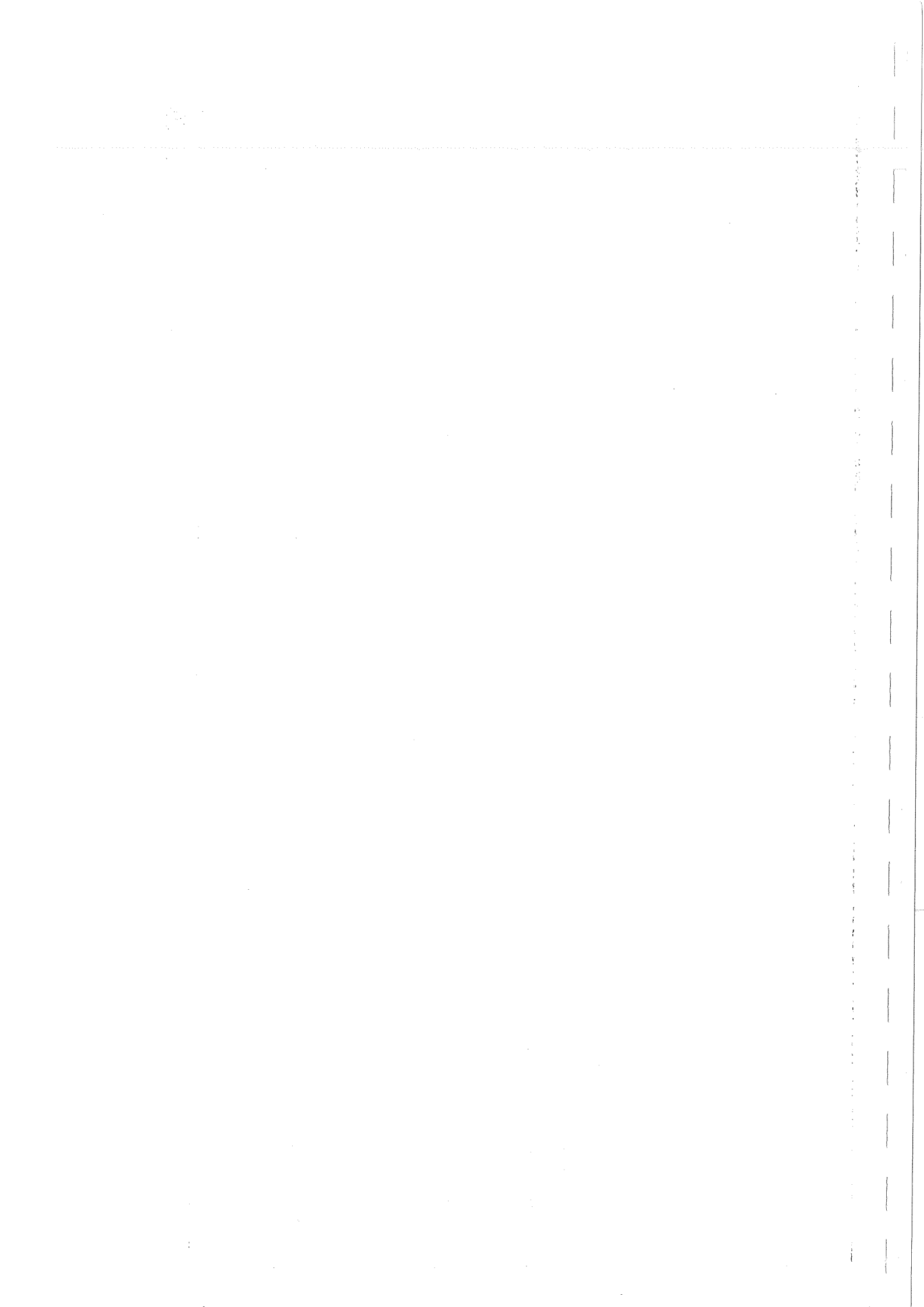
CILINDRI OLIODINAMICI PISTONI

TAV. 72

CODICE POS. DESCRIZIONE

CODICE POS. DESCRIZIONE

*****	:	:	PISTONE STRINGICASSE	(A)	*****	:	:	PISTONE TRASLATORE	(D)
07.6.101	:	1	ASTA		07.6.104	:	27	ASTA	
07.4.002	:	2	I.GU/WRM 098129 RASCHIATORE		07.6.001	:	28	I.GU/DWR 25 ANELLO GUIDA STELO	
07.3.002	:	3	I.GUB/129098/1 GUARNIZ.TENUTA STELO		07.6.304	:	29	PISTONE	
07.6.401	:	4	COFERCHIO FILETTATO		07.5.002	:	30	I.GU.DBM 196133.50 GUARNIZ.TENUTA PIST	
07.1.101	:	5	ANELLO O.R. 219 DOWTY		07.6.204	:	31	CILINDRO	
07.6.201	:	6	CILINDRO		07.1.105	:	32	O.R. 829 DOWTY	
07.6.301	:	7	PISTONE		07.6.404	:	33	COFERCHIO FILETTATO	
07.5.001	:	8	I.GU/DBM 157118 GUARNIZ.TENUTA STELO			:			
07.1.102	:	9	ANELLO O.R. 115 DOWTY			:		PISTONE ALZATA DOPPIO EFFETTO	(E)
02.2.004	:	10	DADO AUTOBL. M 14		07.6.105	:	34	ASTA	
*****	:	:	PISTONE TUFFANTE ALZATA	(B)	07.4.009	:	35	I.GU/WRM 137169 RASCHIATORE	
07.6.102	:	12	ASTA		07.3.009	:	36	I.GUB/169137 GUARNIZIONE TENUTA STELO	
07.4.007	:	13	WRM 236267		07.6.405	:	37	COFERCHIO FILETTATO I.G. 70.35.50	
	:				07.1.106	:	38	ANELLO O.R. 835.161	
07.6.002	:	14	I.GU/DWR 60 ANELLO GUIDA STELO		07.6.205	:	39	CILINDRO	
07.3.006	:	15	B/ 275236		07.6.305	:	40	PISTONE I.P. 60.24.36	
07.6.202	:	16	CILINDRO		07.5.004	:	41	I.GU/DBM 236173 GUARNIZ.TENUTA STELO	
*****	:	:	PISTONE BRANDEGGIO	(C)	07.1.107	:	42	ANELLO O.R. 814.132	
02.2.008	:	17	DADO AUTOBL. M 22		02.2.008	:	43	DADO AUTOBLOC. M 22	H=25 UNI 7473
07.1.103	:	18	ANELLO O.R. 814 DOWTY			:			
07.5.003	:	19	I.GU/DBM 275196 GUARNIZ.TENUTA PISTONE			:			
07.6.303	:	20	PISTONE			:			
07.6.203	:	21	CILINDRO			:			
07.1.104	:	22	ANELLO O.R. 841 DOWTY			:			
07.6.403	:	23	COFERCHIO FILETTATO			:			
07.3.003	:	24	I.GUB.149118.30 GUARNIZ.TENUTA STELO			:			
07.4.003	:	25	I.GU/WRM 118149 RASCHIATORE			:			
07.6.103	:	26	ASTA			:			





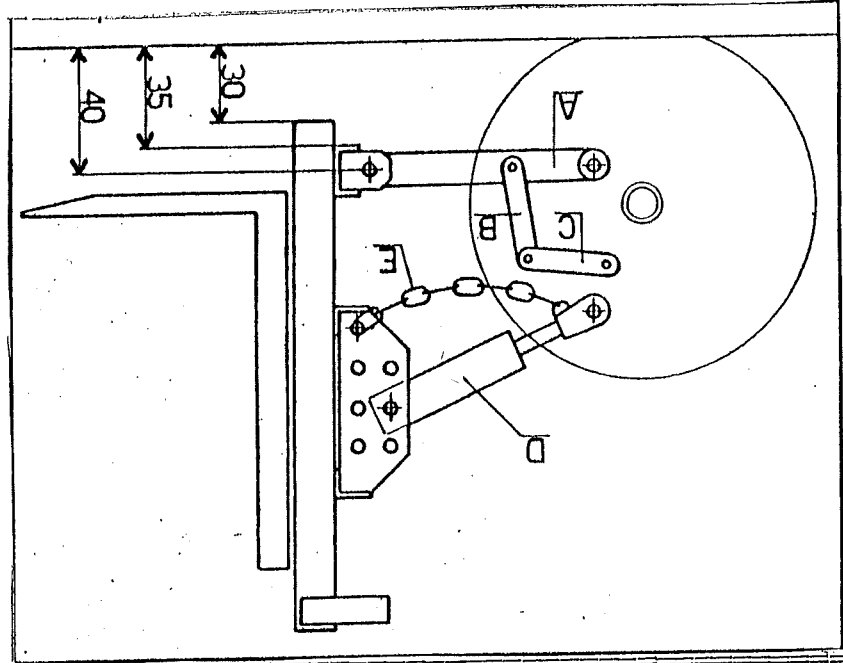
di Piero Zama
48018 FAENZA (Italia) - Via Proventa, 41
Tel. (0546) 29050 - Telex 550866 ZAMA I

"MONDIAL" - HYDRAULIC FORKLIFT

OPERATING INSTRUCTIONS

We are very glad to have you among our Customers and we remind you that the perfect efficiency and the life of any machine, are not depend only from the good construction and from the technical shrewdness of vanguard, but also from the correct use and from the efficacious and persevering maintenance. So, we take the liberty to list here successively some rules that we consider most important, to achieve a good result.

CONNECTION OF MONDIAL HYDRAULIC FORKLIFT TO THE TRACTOR



-The hoist arms (A) must be from the soil at not more than 40cm; is necessary that this position be "the inferior dead point" of the same arms.
-To have this position, act on arms (B) (shortening that enough), or on arms (C) regulating the inclination.

- The arms (A) must be locked: thus act on the chains or connecting rods.

- Don't forget to couple the safety chain (E), after have fixed the tractor

linking piston to the 3rd point of tractor.

- If the Hydraulic Forklift has quick couplings, insert the same in the

settings of the auxiliary distributor of tractor.

If the Forklift has pump and overdrive, connect the same to power take

off of the tractor, being careful to assure, at full stop the locking

chain.

- After the above instructions have been followed, the Forklift is ready

for operation.

AVOID ABSOLUTELY TO ACT THE HYDRAULIC HOISTING DEVICE OF TRACTOR WHEN

THE FORKLIFT IS MOUNTED.

THE NON-OBSERVANCE OF THIS HINT MAY CAUSE DANGEROUS INCIDENTS.

- To make sure the transport of containers and pallets, tilt the Forklift
in direction of the tractor, acting on piston control (D).

DURING OPERATION OF FORKLIFT, DON'T STAY NEVER ON THE FIELD OF ACTION

OF THE SAME.

TROUBLES AND THEIR CAUSES:

The only possible failure of the forklift when in use, could be either too

slow movements (or complete blockage). The faults can be found as follows:

- worn or faulty seals of the hydraulic cylinders, leakage of the oil

and pressure drop on implement.

- damaged oil-pipe

- oil loss on oil-pipe connections

- insufficient oil in the hydraulic system

- total or partial closing flow control valve - Table 71 re.51 (Spare

parts catalogue)

To adjust the above valve, do gradual shiftings (max. 1/4 turns each

time), checking in the same time the operation of Forklift.

MAINTENANCE

To ensure a long trouble-free service of the "MONDIAL" Forklift,
please observe the following hints:

EVERY 30 WORKING HOURS

Apply lubrication at grease nipples (Table 70 ref.14) of anti-
friction pads (Table 70 ref. 25).

EVERY 50 WORKING HOURS

- Cleaning and lubrication of the following parts which are subject
to particularly heavy friction:

- slide of inner frame (Table 70 ref. 44)
- slide of outer frame (Table 70 ref. 28)
- tiebar of box-clamps (!f in stock) (Table 70 ref.9)
- the chains (Table 70 ref. 32).

AT THE END OF EACH WORKING PERIOD

Check oil level in the tank (Table 71 ref. 46) (!f in stock) and
fill with:

- MOBIL DTE 25
- ESSO NUTO H 46
- SCHELL TELLUS 46
- BP ENERGO LHP 46

Protect the Forklift during long storage periods.

TO ORDER SPARE PARTS OF THE MACHINE, CORRECTLY

- is necessary specify:
- Type of the machine
- Serial number
- Spare parts Table's number
- Description
- Required quantity.

\$

