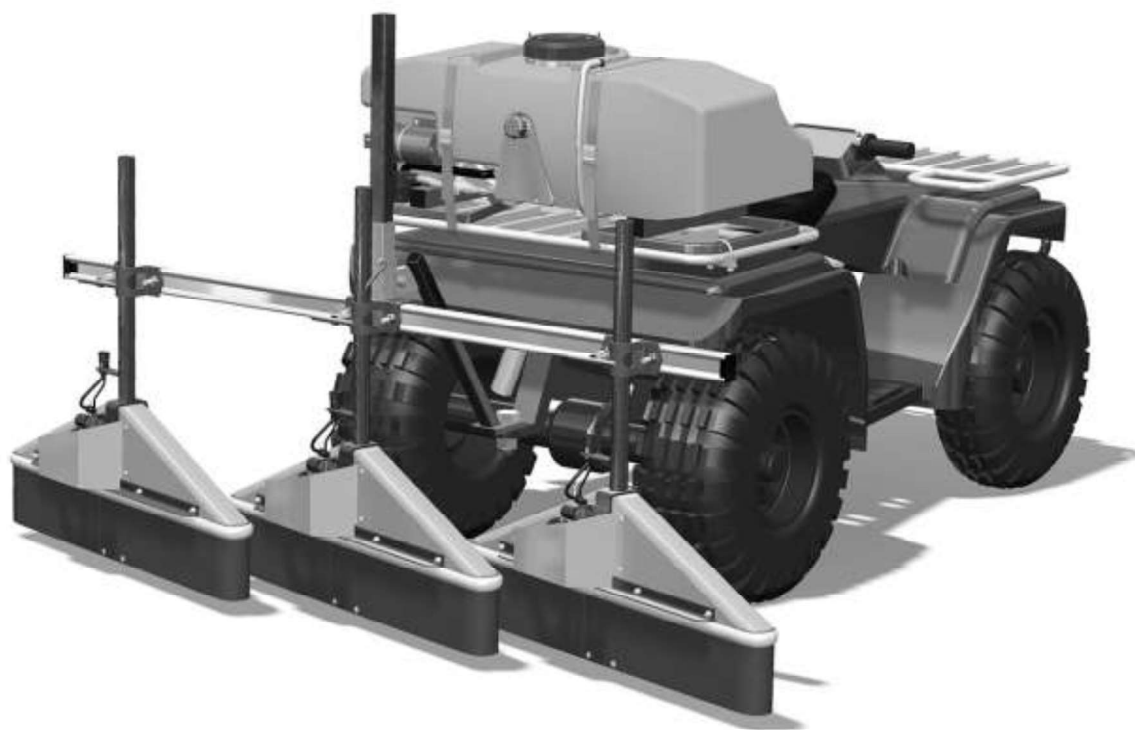




Spraymiser Boom



Including Spraymiser Boom CDA and HiFlo

Parts Catalogue

Publication Part No: 11560

Revision: 1

Edition Notice

Prepared and printed by or on behalf of:



This publication covers the following products:

Spraymiser Boom CDA and HiFlo

This document is prepared for Micron Sprayers Ltd. their agents and clients. The document should be taken in its entirety. No responsibility can be accepted, nor can consent be assumed for the part reproduction, editing, extract or quotation taken out of context of this document.

All rights reserved. No part of this publication may be reproduced, stored in a retrieval system, or transmitted in any form or by any means, electronic, mechanical, photocopying, recording or otherwise, without the prior permission of Micron Sprayers Ltd.

Copyright © Micron Sprayers Ltd. December 2017

Whilst every effort has been made to ensure the accuracy of this document, any errors or inaccuracies should be reported to Micron Sprayers Ltd. or their agents.



Bromyard Industrial Estate

Bromyard

Herefordshire

HR7 4HS

U.K.

T +44 (0)1885 482397

F +44 (0)1885 483043

E enquiries@micron.co.uk

www.micron.co.uk

Table of Contents

1	Spraymiser Boom - Sub-Assemblies	6
1.1	Varidome CDA, 80 and 100.....	8
1.2	Varidome HiFlo, 170	10
1.3	Varidome HiFlo, 100	12
1.4	CDA Spray-Head Assembly and Ancillaries.....	14
2	Controllers and Backplates.....	16
2.1	Controller, Lamp Type, Single	18
2.2	Controllers, Lamp Type, 2 and 3-Way.....	20
2.3	Backplate Assemblies, 2, 4 and 6-Way	22
2.4	Hose and Cable Assemblies 2 and 3-Way	24
2.5	Power Wire Assembly.....	25
3	Mounting Components	26

Only use spare parts recommended by Micron Group, their agents and/or distributors.

The use of parts not specifically recommended by micron group, their agents and/or distributors may void any warrantee agreements.

Spare parts should only be fitted by suitably qualified and/or experienced persons.

When ordering spare parts, please specify the following information:

- Serial number of system/unit.
- Approximate date of manufacture.
- Description of part.
- Part number as shown in this section.
- Quantity required.

For spare parts and accessories contact:



Bromyard Industrial Estate

Bromyard

Herefordshire

HR7 4HS

U.K.

T +44 (0)1885 482397

F +44 (0)1885 483043

E enquiries@micron.co.uk

www.micron.co.uk

Or your authorised agent:

Agent / Distributor details:

--

Spraymiser Boom - Sub-Assemblies

ITEM	PART NO.	DESCRIPTION	Refer to
1	AA243	BACKPLATE ASSEMBLY, 4 WAY	Section 2.3
2	11485	BRACKET	
3	11499	50x30 x 1 - 3mm RIB INSERT	
4	11483	CHANNEL, HM 49/30 PER METRE	See Note ¹
5	11484	BOLT, TM10 HM 50/30	
6	8767	CLAMP	
7	8768	CLAMPING SCREW (M12)	
8	8766	CLAMP BRACKET	
9	7607	NUT, M10, PLAIN HEX, S/S	
10	5973	WASHER, M10 FLAT, S/S	
11	AA249	SINGLE CONTROL BOX	Section 2.1
12	ZZU031	HOSE AND CABLE ASSEMBLY	Section 2.4
13	USAA374_18	VARIDOME CDA, 80	Section 1.1
14	AA264	VARIDOME CDA 100	Section 1.1
15	VAR_0018	VARIDOME HiFlo 170	Section 1.2
16	VAR_1031	VARIDOME HiFlo 100	Section 1.3

¹ State length required when ordering this part. Recommended maximum fitted width 2.2 metres.

Varidome CDA, 80 - Parts List

ITEM	PART NO.	DESCRIPTION	QTY.
1	AA249	CONTROLLER, LAMP TYPE, SINGLE	1
2	ZU031	CONTROL HOSE AND CABLE 3.3M	1
3	ZV020	VEGEMISER 80MM MOUNTING TUBE	1
4	ZV012	VEGEMISER (130 MM) MOUNTING TUBE	1
5	AA002	CDA HEAD AND BRACKET SET See Section 1.4	1
6	UF048	SCREW, SELF TAP, 6-20 X 3/8" ZP	3
7	UF035	POP-RIVET6-10	15
8	UF002	WASHER, FLOAT, 3/16" X 1/2" X 20 G, BZP	15
9	ZV021	SKIRT, RUBBER, 80MM	1
10	ZV014	VEGEMISER (130 MM) RUBBER SKIRT	1
11	UF046	POP RIVET, 73AS 4-8	2
12	UF202	WASHER, FLAT, 1/2" X 1/8" X 20G BZP	4
13	ZD027	SHROUD, 80MM	1
14	ZD024	VEGEMISER (130 MM) COVER	1
15	ZV022	ALUMINIUM STRIP, 80MM SKIRT	1
16	ZV013	VEGEMISER (130 MM) ALUMINIUM STRIP	1
17	UF054	SCREW, SELF-TAP, 10 AB X 1/2"	3
18	ZV019	GUARD	1
19	ZV015	GUARD	1
20	GE038	STRAIGHT FITTING, NYLON, 16MM	1
21	ZE008	CONNECTOR, 3 WAY	1
22	AL027	ELBOW, 1/8" BSP X 6MM	1
23	BI044	SOLENOID	1
24	UF016	SET SCREW, 1/4" BSW X 3/4"	8
25	UF053	1-4X1-1-4X16G ZP FLAT WASHER	8
26	UF028	NUT, 1/4" BSW, NYLOC, ZC	8
27	AL014	ADAPTER, 1/8 BSP X 6 MM	1
28	BI040	HOSE, MICRO - 6MM	2
29	BI028	ADAPTER	1
30	HN024	RESTRICTOR, NO. 4	1
31	BI027	ADAPTER 1/4" X 6 MM	1

1.2 Varidome HiFlo, 170

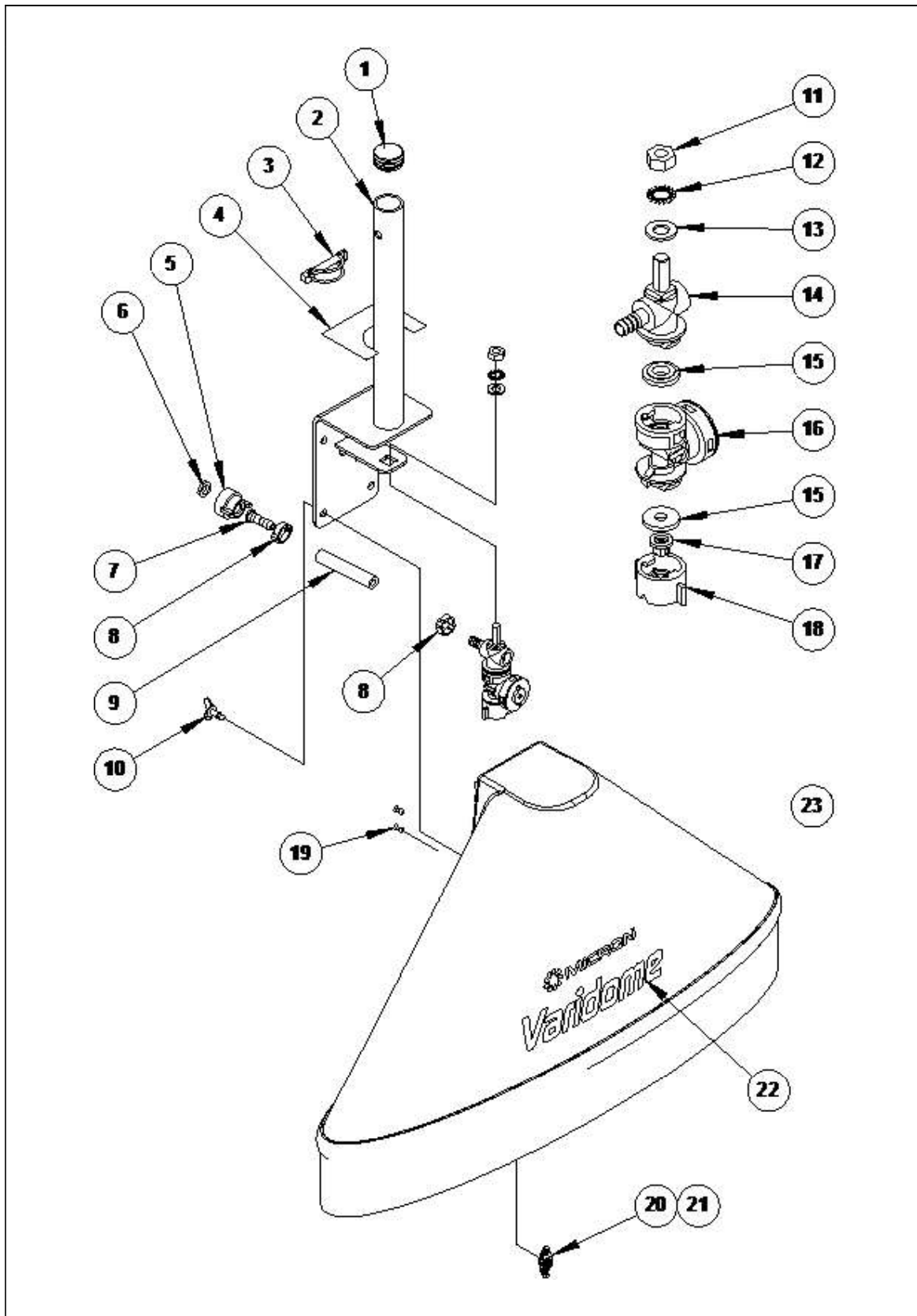


Figure 3 – Varidome HiFlo, 170

Varidome HiFlo, 170 - Parts List

ITEM	PART NO.	DESCRIPTION	QTY.
1	7976	ROUND HOLE PLUG INSERT (ø34)	1
2	7855	HP VEGEMISER MOUNTING BRACKET	1
3	8463	LINCH PIN	1
4	8544	INDEXING PLATE	1
5	8139	NOZZLE CAP	1
6	8140	SEAL	1
7	5332	HOSE BARB	1
8	8517	CLIP, 15-18MM, EAR CLAMP	2
9	8512	LENGTH 1.4M LG	1
10	8940	¼ TURN WINGED STUD	4
11	7607	NUT, M10, PLAIN HEX, S/S	1
12	6191	WASHER, SHAKE-PROOF, M10	1
13	5973	WASHER, M10 FLAT, S/S	1
14	7968	NOZZLE BODY, SINGLE HOSE TAIL, 3/8"	1
15	7971	SEAL	2
16	7969	DIAPHRAGM CHECK VALVE	1
17	8874	NOZZLE FLAT FAN DG95020E	1
18	7970	BAYONET CAP, 90deg OFFSET	1
19	8102	RIVET, BLIND, n3mm x 12mm LONG,	8
20	8939	¼ TURN RECEPTACLE	4
21	8941	¼ TURN RETAINER	4
22	8772	LABEL MICRON VARIDOME SHIELD	1
23	VAR_1097	SPRAY SHIELD ASSEMBLY 170mm Include items 19 - 22	1

Varidome HiFlo, 100 - Parts List

ITEM	PART NO.	DESCRIPTION	QTY.
1	7976	ROUND HOLE PLUG INSERT (Ø34)	1
2	8463	LINCH PIN	1
3	9084	MOUNTING BRACKET	1
4	9434	INDEXING LABEL	1
5	8140	SEAL	1
6	5332	HOSE BARB	1
7	8139	NOZZLE CAP	1
8	8517	CLIP, 15-18MM, EAR CLAMP	2
9	8512	HOSE 3/8" REINFORCED BLACK	1
10	8940	¼ TURN WINGED STUD	4
11	8941	¼ TURN RETAINER	4
12	8102	RIVET, BLIND, N3MM X 12MM LONG,	8
13	VAR_0016	NOZZLE HOLDER BODY ASSEMBLY 9015	1
14	7607	NUT, M10, PLAIN HEX, S/S	1
15	6191	WASHER, SHAKE-PROOF, M10	1
16	5973	WASHER, M10 FLAT, S/S	1
17	7968	NOZZLE BODY, SINGLE HOSE TAIL, 3/8"	1
18	7971	SEAL	2
19	7969	DIAPHRAGM CHECK VALVE	1
20	8874	NOZZLE FLAT FAN DG95020E	1
21	7970	BAYONET CAP, 90DEG OFFSET	1
22	10768	SHIELD 100 COMPLETE	1
23	9079	SPRAY SHIELD	1
24	9563	PUSH IN INSERT 6.2-6.4	12
25	9086	SKIRT	1
26	8939	¼ TURN RECEPTACLE	4

1.4 CDA Spray-Head Assembly and Ancillaries

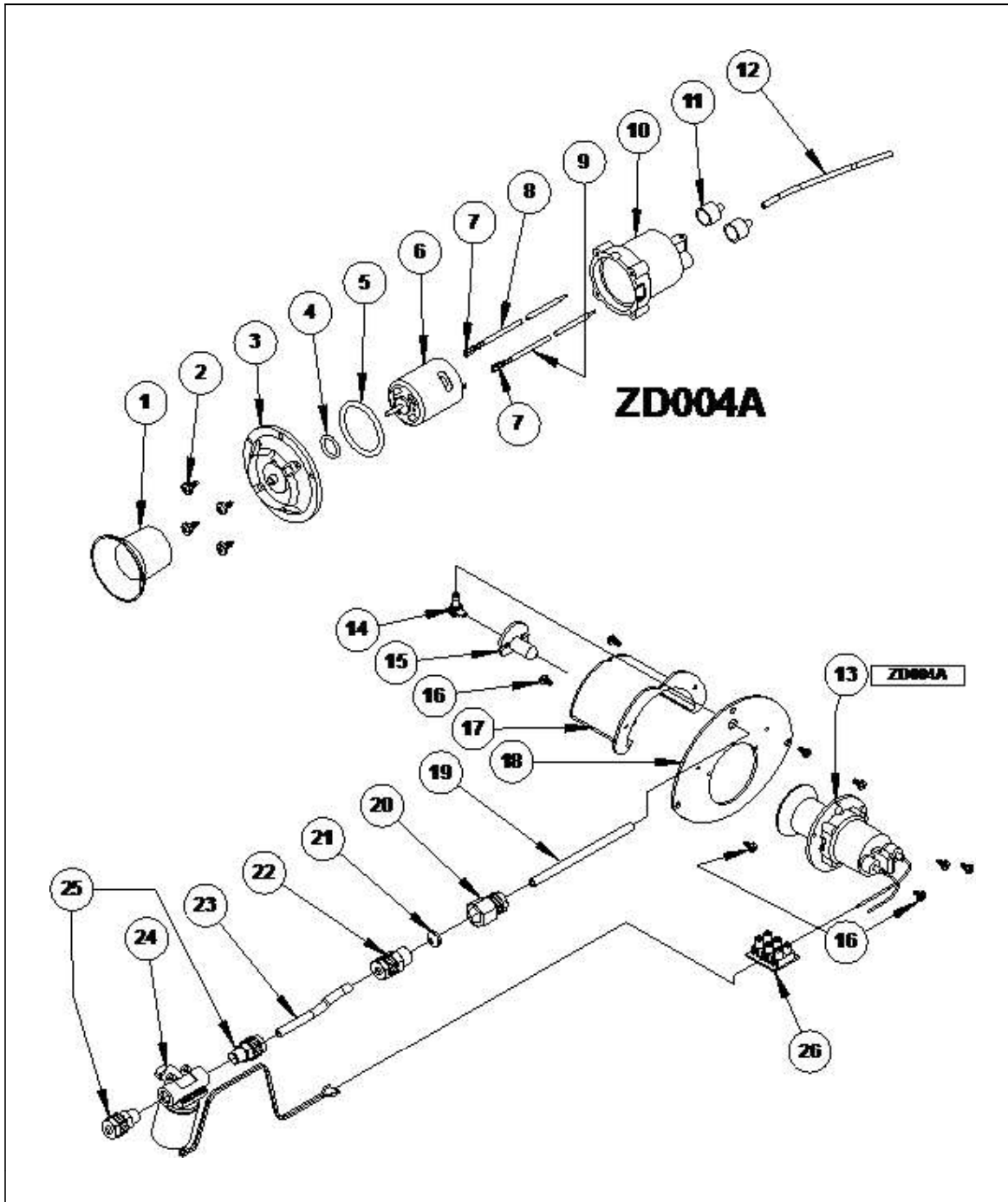


Figure 5 – CDA Spray-Head Assembly and Ancillaries

CDA Spray-Head Assembly and Ancillaries - Parts List

ITEM	PART NO.	DESCRIPTION	QTY.
1	ZU082	ATOMISER DRUM	1
2	5399	SCREW, PAN HEAD, NO.6 X 3/8" SS	4
3	MI046A	MOTOR FRONT PLATE, GREEN	1
4	5398	O-RING (ULVA+ MOTOR SHAFT)	1
5	5403	O-RING (ULVA+ MOTOR BODY)	1
6	MI009	MOTOR (ULVA+)	1
7	FE015	TERMINAL, PUSH-ON, FEMALE	2
8	4368	WIRE, 1.0 mm, RED	0.24 m
9	4134	WIRE, 1.0 mm, BLACK	0.24 m
10	MI045	MOTOR HOUSING, GREEN	1
11	6717	BOOT, RUBBER	2
12	3512-20	BREATHER TUBE	1
13	ZD004A	ATOMISER HEAD ASSEMBLY (DRUM TYPE)	1
14	ZU023	ELBOW EB4 (MODIFIED)	1
15	ZU089	FEED NOZZLE, BLUE (MODIFIED FOR ZD004A)	1
16	UF048	SCREW, 6-20 X 3/8" SELF TAP	8
17	ZU083	COVER, RECIRCULATING	1
18	ZS030	BRACKET, SPRAYMISER CDA HEAD	1
19	BI040	HOSE, 6 MM, SAMPAC, MICRO FLEXIBLE	0.24 m
20	BI027	ADAPTER 1/4" X 6 MM	1
21	HN024	RESTRICTOR, NO. 4	1
22	BI028	ADAPTER	1
23	BI040	HOSE, 6 MM, SAMPAC, MICRO FLEXIBLE	0.11 m
24	BI044	SOLENOID	1
25	AL014	ADAPTER, 1/8 BSP X 6 MM	2
26	ZE008	CONNECTOR, 3 WAY	1

2 CONTROLLERS AND BACKPLATES

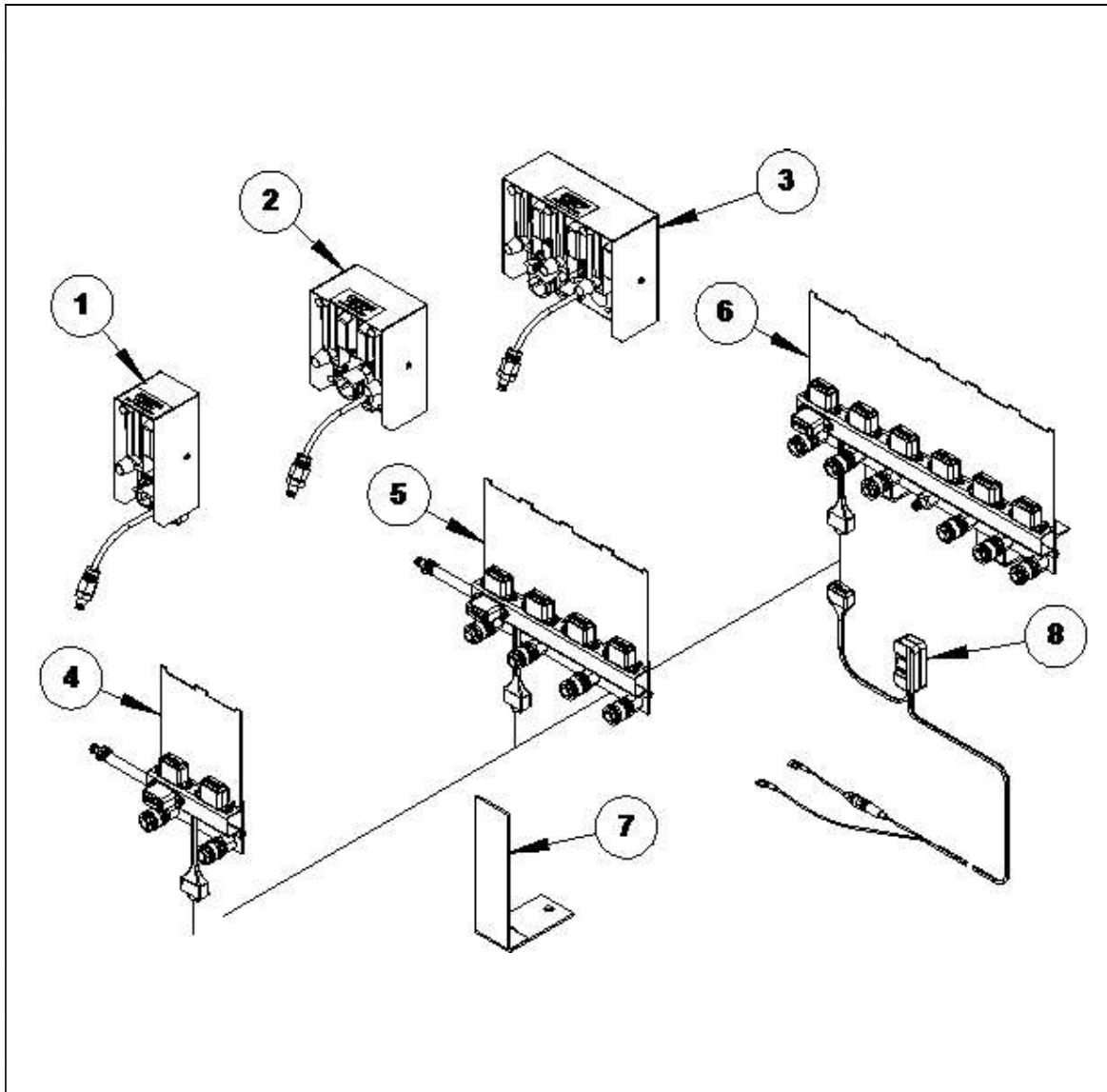


Figure 6 – Controllers and Backplates

Controllers and Backplates - Parts List

ITEM	PART NO.	DESCRIPTION	REFER TO
1	AA249	CONTROLLER, LAMP TYPE, SINGLE	Section 2.1
2	AA247	CONTROLLER, LAMP TYPE, 2 WAY	Section 2.2
3	AA398	CONTROLLER, LAMP TYPE, 3 WAY	Section 2.2
4	AA240	BACKPLATE ASSEMBLY, 2 WAY	Section 2.3
5	AA243	BACKPLATE ASSEMBLY, 4 WAY	Section 2.3
6	AA242	BACKPLATE ASSEMBLY, 6 WAY	Section 2.3
7	ZC009	MOUNTING BRACKET 2 AND 4 WAY	
	ZC009A	BACKPLATE MOUNTING BRACKET - 6 WAY	
8	ZC020	POWER WIRE ASSEMBLY, BACKPLATE	Section 2.4

2.1 Controller, Lamp Type, Single

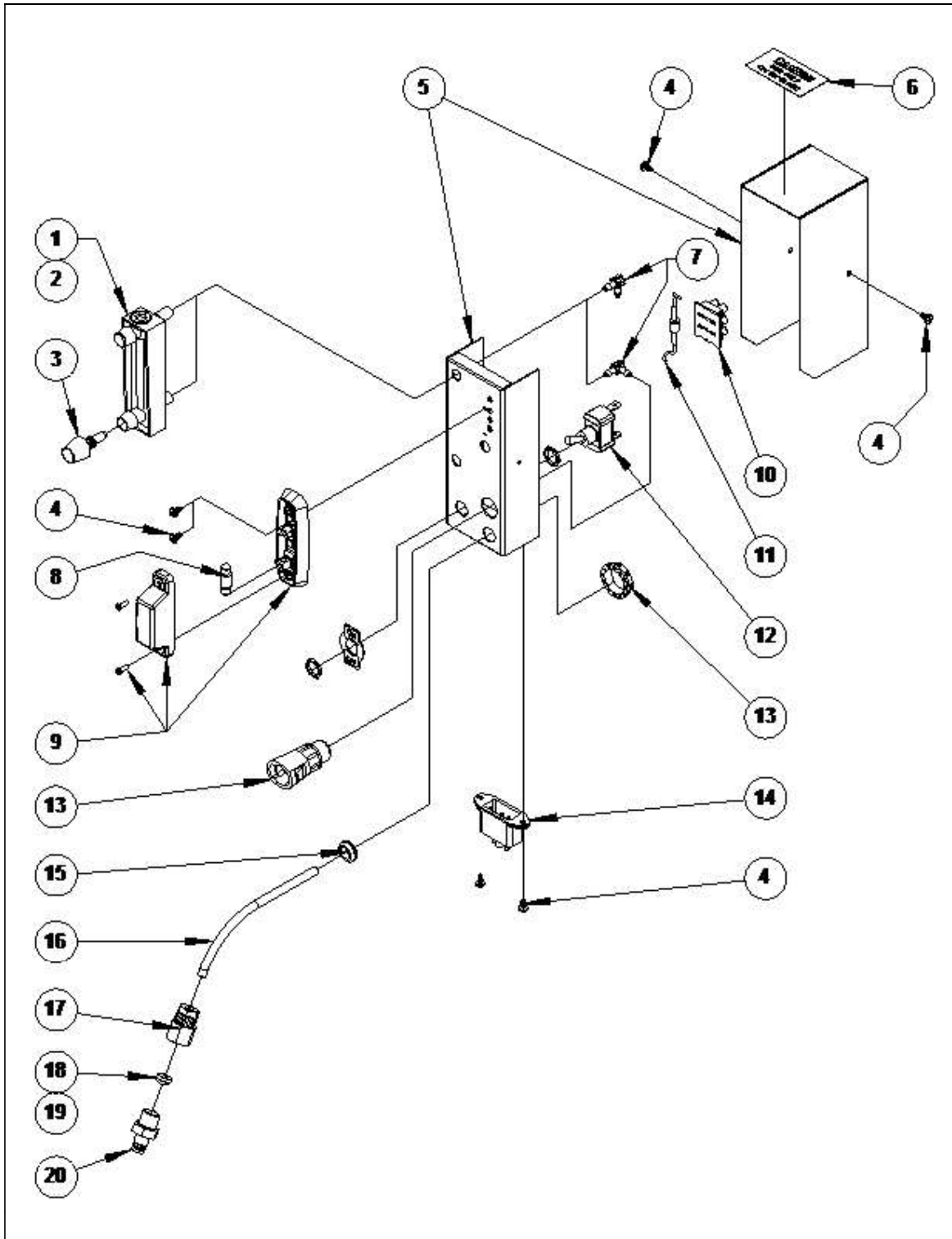


Figure 7 – Controller, Lamp Type, Single

Controller, Lamp Type, Single - Parts List

ITEM	PART NO.	DESCRIPTION	QTY.
1	DI002	FLOW METER, 30 LITRES PER HOUR	1
2	DI004	FLOAT (FLOW METER)	1
3	ZU039	TRIMMER FOR FLOW METER DI002	1
4	UF048	SCREW, 6-20 X 3/8" BZP 25PCRTC SELF TAP	6
5	RO003	ENCLOSURE, 1 WAY CONTROL BOX	1
6	CB006	LABEL, CAUTION 12V 5W	1
7	BI017	ELBOW, EB4	2
8	ST003	GLOBE, 12V 5W	1
9	ST004	LAMP ASSEMBLY	1
10	ZE008	CONNECTOR, 3 WAY	1
11	BBZP012A	DIODE ASSEMBLY	1
12	ST005	SWITCH, TOGGLE	1
13	GE038	FITTING, 16MM, STRAIGHT	1
14	ST030	PLUG, 3 PIN, S/M, COMPLETE	1
15	MO006	GROMMET, 15.9 MM	1
16	BI040/0.260	6 MM FLEXIBLE MICRO HOSE X 260 MM	1
17	BI027	ADAPTER 1/4" X 6 MM	1
18	ZU024	RESTRICTOR NO 10	1
19	ZU030	RESTRICTOR NO 8	1
20	AL002	PLUG, 1/4" BSPT M (EXTERNAL THREAD)	1
21	BBZP012	WIRING LOOM, SINGLE CONTROL BOX (NOT SHOWN)	1

2.2 Controllers, Lamp Type, 2 and 3-Way

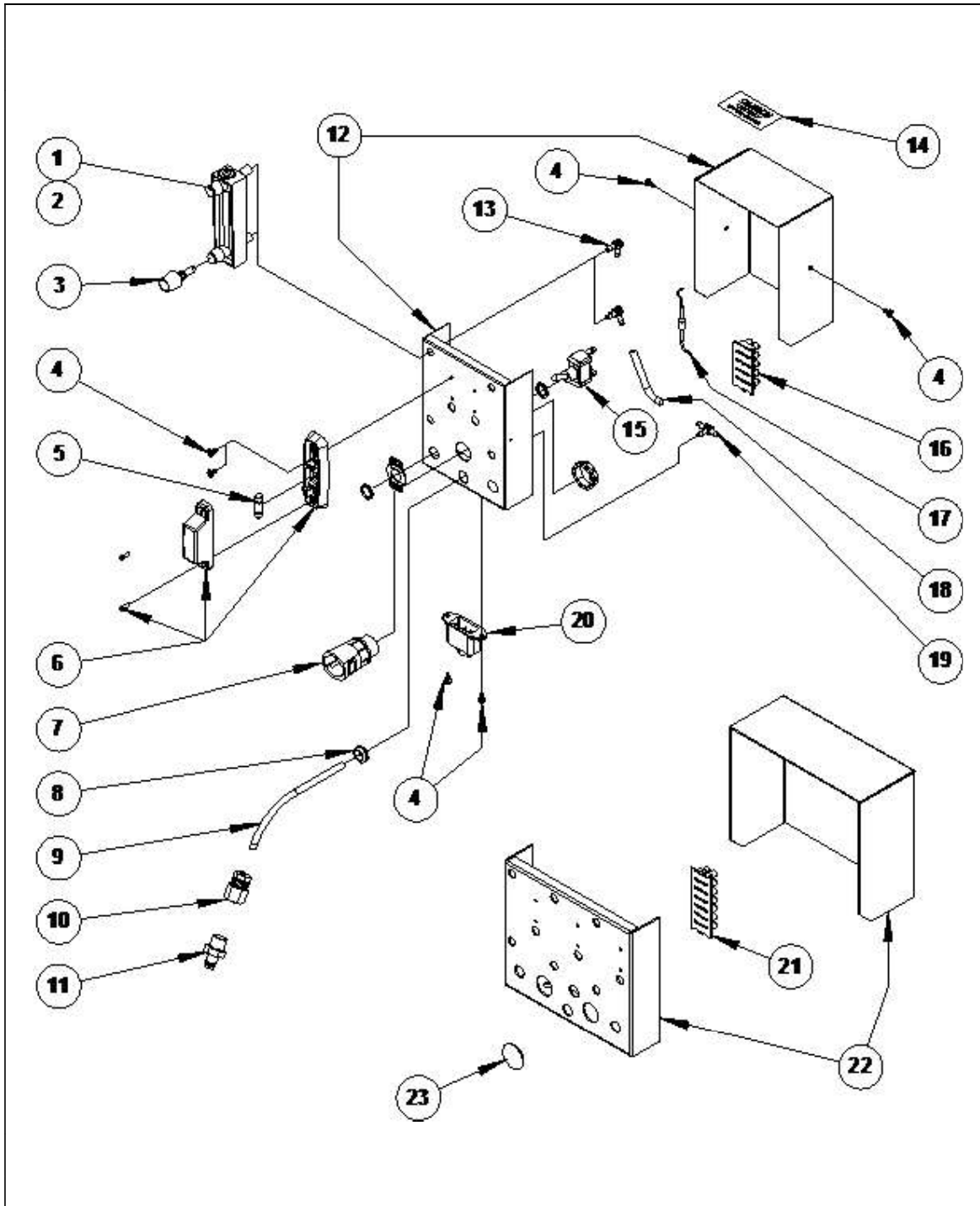


Figure 8 – Controllers, Lamp Type, 2 and 3-Way

Controllers, Lamp Type, 2 and 3-Way - Parts List

ITEM	PART NO.	DESCRIPTION
1	DI002	FLOWMETER, 30 LITRES PER HOUR
2	DI004	FLOAT, FLOWMETER
3	ZU039	TRIMMER FOR FLOWMETER DI002
4	UF048	SCREW, 6-20 X 3/8" BZP 25PCRTC SELF TAP
5	ST003	GLOBE, 12V 5W
6	ST004	LAMP ASSEMBLY
7	GE034	FITTING, 20 mm, STRAIGHT
8	MO006	GROMMET, 15.9 mm
9	ZC011	FEED TUBE (CONTROL BOX)
10	BI027	ADAPTER 1/4" X 6 mm
11	AL002	PLUG, 1/4" BSPT M (EXTERNAL THREAD)
12	RO004	ENCLOSURE, 2 WAY CONTROL BOX
13	BI017	ELBOW, EB4
14	CB006	LABEL, CAUTION 12V 5W
15	ST005	SWITCH, TOGGLE
16	ZE006	CONNECTOR BLOCK, 5 WAY
17	ZC010A	DIODE ASSEMBLY
18	BI040/50	HOSE 6 mm x 50 mm (2 WAY CONTROL BOX)
19	BI020	TEE, BARBED, 4 mm
20	ST030	PLUG, 3 PIN, S/M, COMPLETE
21	ZE013	CONNECTOR BLOCK, 7 WAY
22	RO018	ENCLOSURE, 3 WAY CONTROL BOX
23	FE008	GROMMET
24	ZC010	WIRING LOOM, 2 WAY CONTROL BOX
25	ZC042	WIRING LOOM, 3 WAY CONTROL BOX

2.3 Backplate Assemblies, 2, 4 and 6-Way

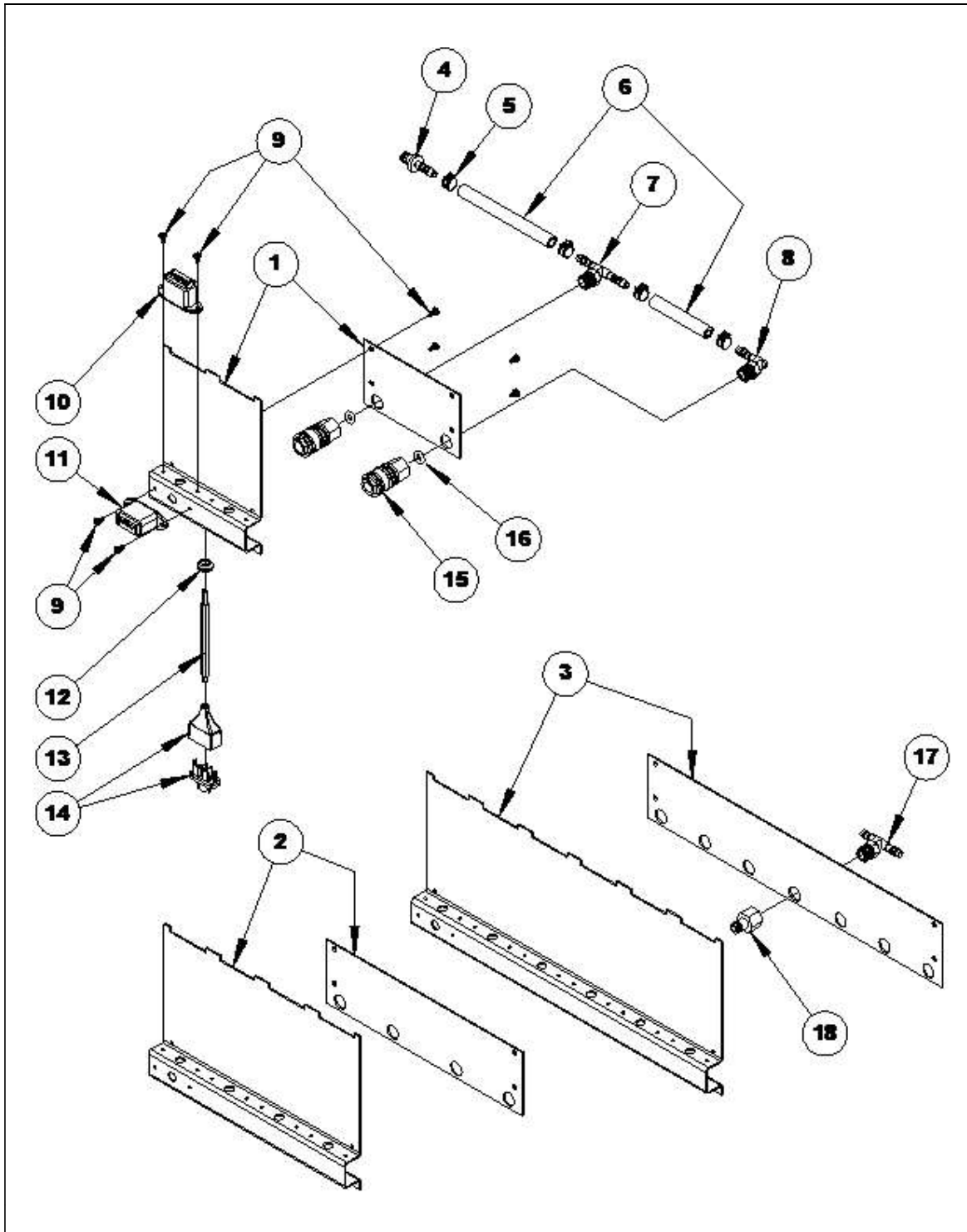


Figure 9 – Backplate Assemblies, 2, 4 and 6-Way

Backplate Assemblies, 2, 4 and 6-Way- Parts List

ITEM	PART NO.	DESCRIPTION
1	RO001	SUB-FRAME, 2 WAY
2	ZC024	SUB-FRAME, 4 WAY
3	RO022	BACKPLATE SUB-FRAME, 6 WAY
4	AL012	HOSE CONNECTOR, PLUG
5	NH004	COBRA CLIP
6	MT001	HOSE 6 MM X 115 MM
7	AL008	BRANCH TEE, 6 mm, MALE
8	AL009	ELBOW, 6 mm, MALE
9	UF048	SCREW, 6-20 X 3/8" BZP 25PCRTC SELF TAP
10	ST031	SOCKET, 3 PIN, S/M, COMPLETE
11	ST013	SOCKET, 2 PIN, S/M, COMPLETE
12	ST007	GROMMET
13	ZC022	BACKPLATE FEED WIRE
14	ST008	PLUG, 2 PIN (MALE), INLINE
15	AL001	SOCKET, 1/4" BSPT F, Q/R
16	GB007	O-RING, 6 X 3
17	RO002	BRANCH TEE 6 mm (MODIFIED FROM AL008)
18	AL003	PLUG, 1/4" BSPT F, INTERNAL THREAD

2.4 Hose and Cable Assemblies 2 and 3-Way

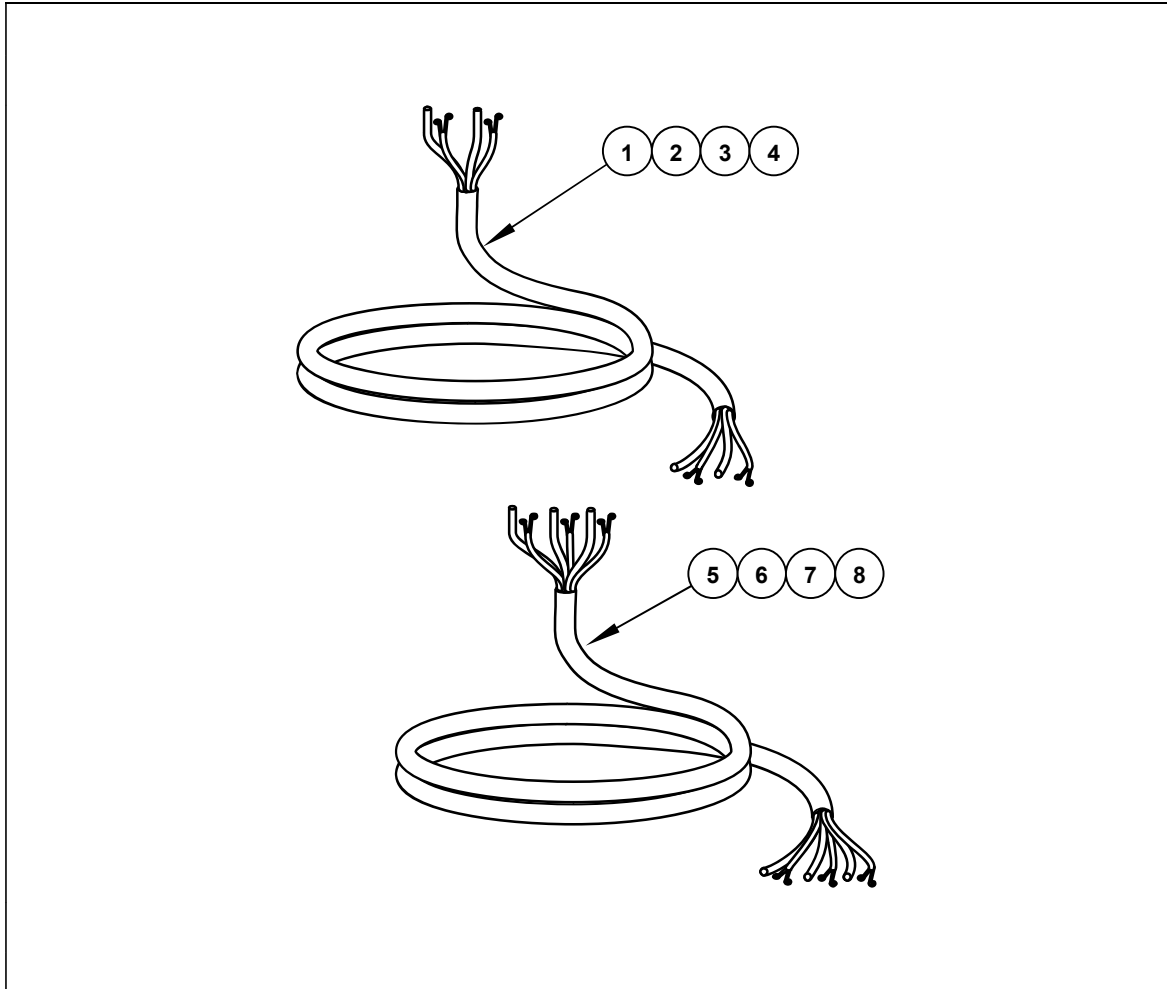


Figure 10 – Hose and Cable Assemblies 2 and 3-Way

ITEM	PART NO.	DESCRIPTION
1	ZS025	4.0 m Hose & Cable Assembly SM1200
2	ZS025/15	4.5 m Hose & Cable Assembly SM1200
3	ZS025/18	5.4 m Hose & Cable Assembly SM1200
4	ZS025/22	6.7 m Hose & Cable Assembly SM1200
5	ZS102/13	4.0 m 3-Head Spraymiser Hose & Cable assembly
6	ZS102/15	4.5 m 3-Head Spraymiser Hose & Cable assembly
7	ZS102/18	5.4 m 3-Head Spraymiser Hose & Cable assembly
8	ZS102/22	6.7 m 3-Head Spraymiser Hose & Cable assembly

2.5 Power Wire Assembly

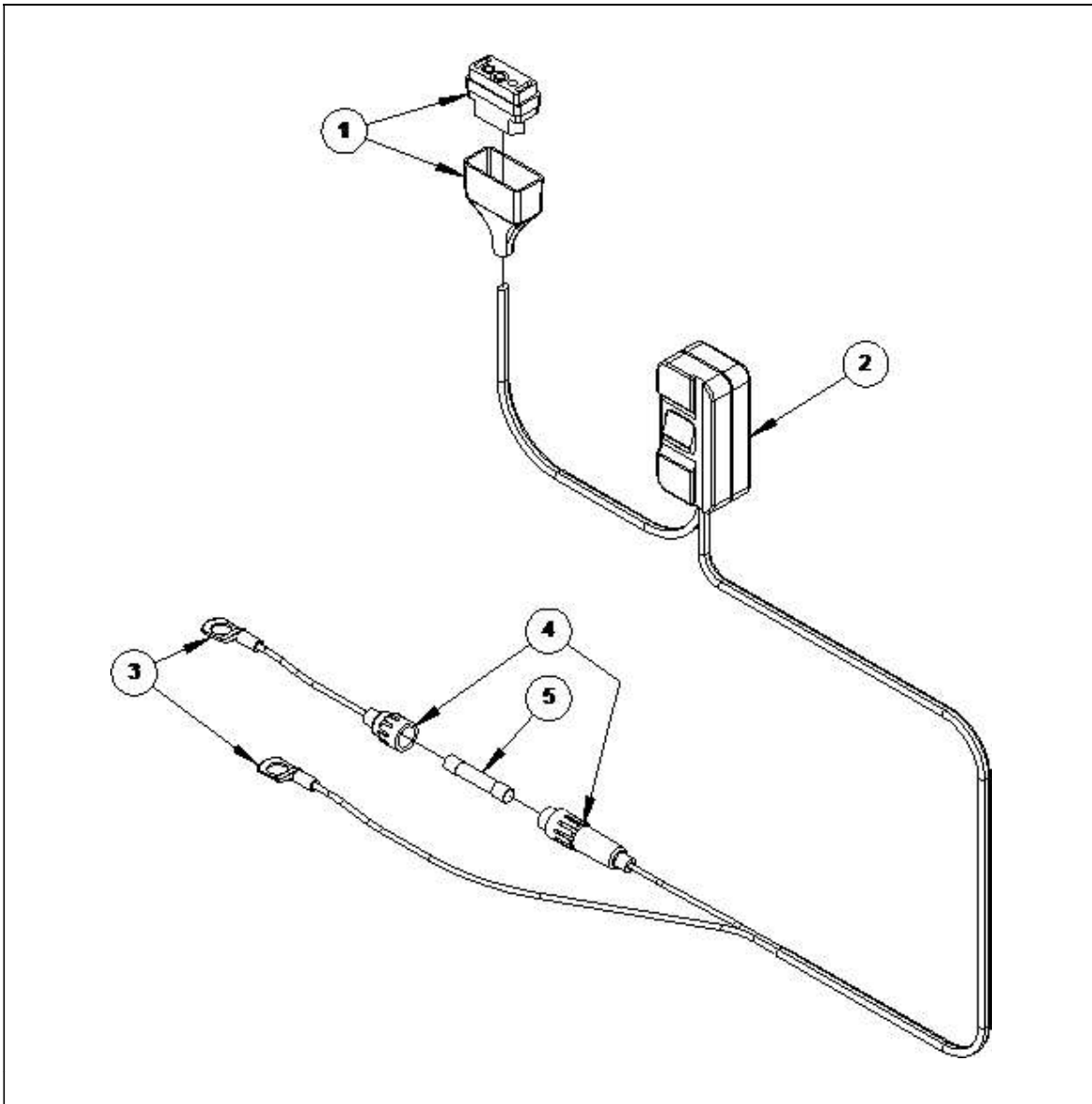


Figure 11 – Power Wire Assembly

ITEM	PART NO.	DESCRIPTION	QTY.
1	ST009	SOCKET, 2 PIN, INLINE	1
2	GE035	SWITCH, INLINE	1
3	GE021	LUG	2
4	ST001	FUSE HOLDER	1
5	ST002	FUSE, 10A	1

3 MOUNTING COMPONENTS

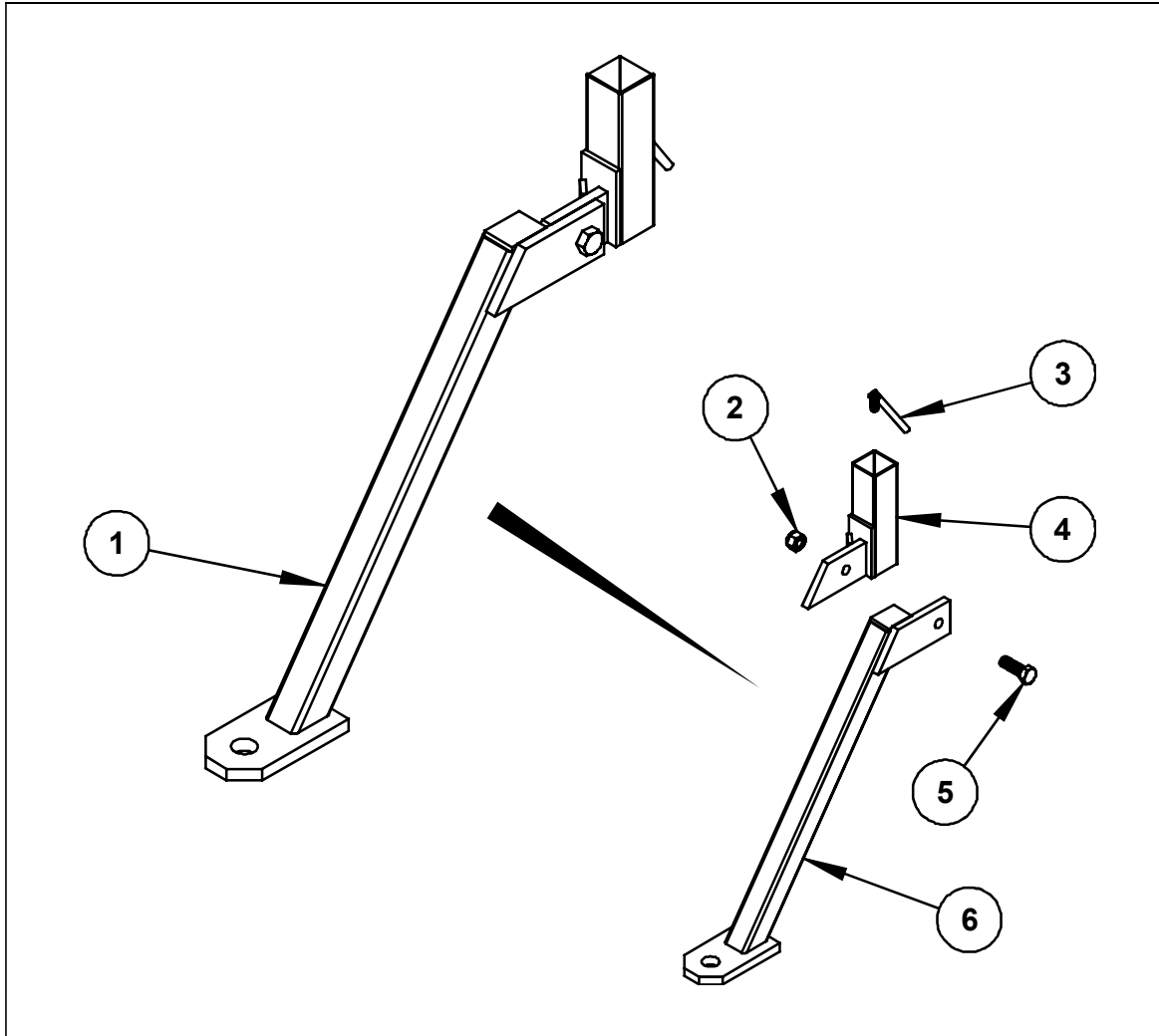


Figure 12 – Mounting Components

ITEM	PART NO.	DESCRIPTION	QTY.
1	ZS026	ATV TOW BALL MOUNTING ASSEMBLY	1
2	ZU015	CLAMP BOLT	2
3	UF030	1/2 NYLOC NUT	1
4	ZS093	ATV TOW BALL BRACKET - SQUARE TUBE	1
6	ZS092	ATV TOW BALL MOUNT ARM	1

NOTES

NOTES

General Enquiries

Micron Group
Bromyard Industrial Estate
Bromyard, Herefordshire

HR7 4HS U.K.

T +44 (0)1885 482397

F +44 (0)1885 483043

E enquiries@microngroup.co.uk

www.microngroup.com



Copyright © Micron Sprayers Ltd. 2017